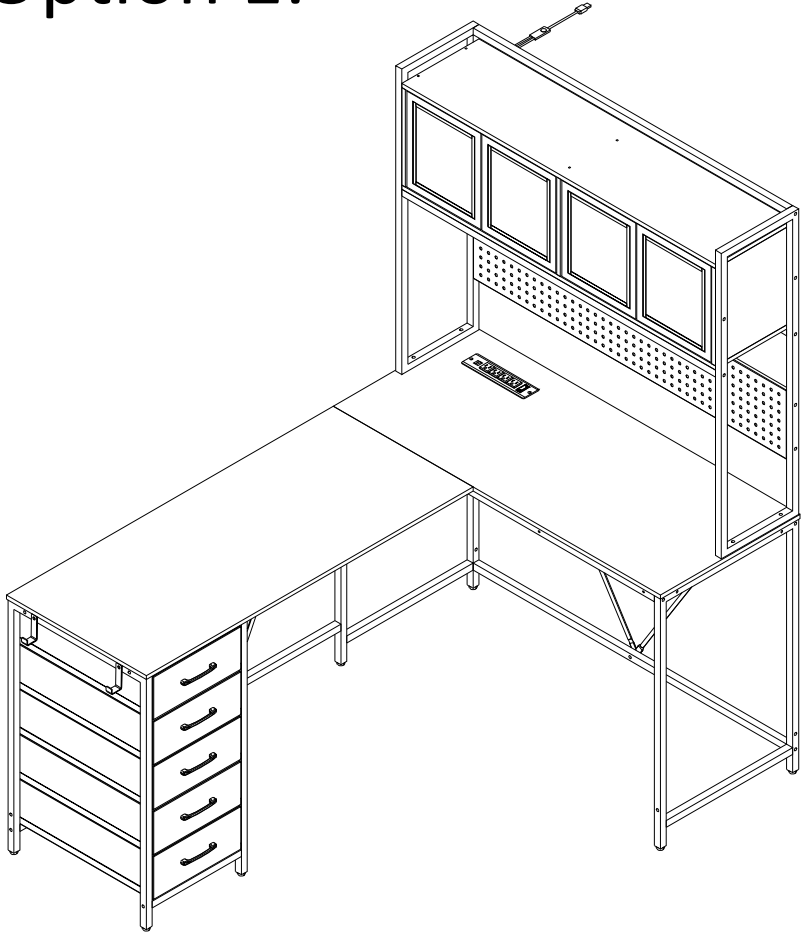
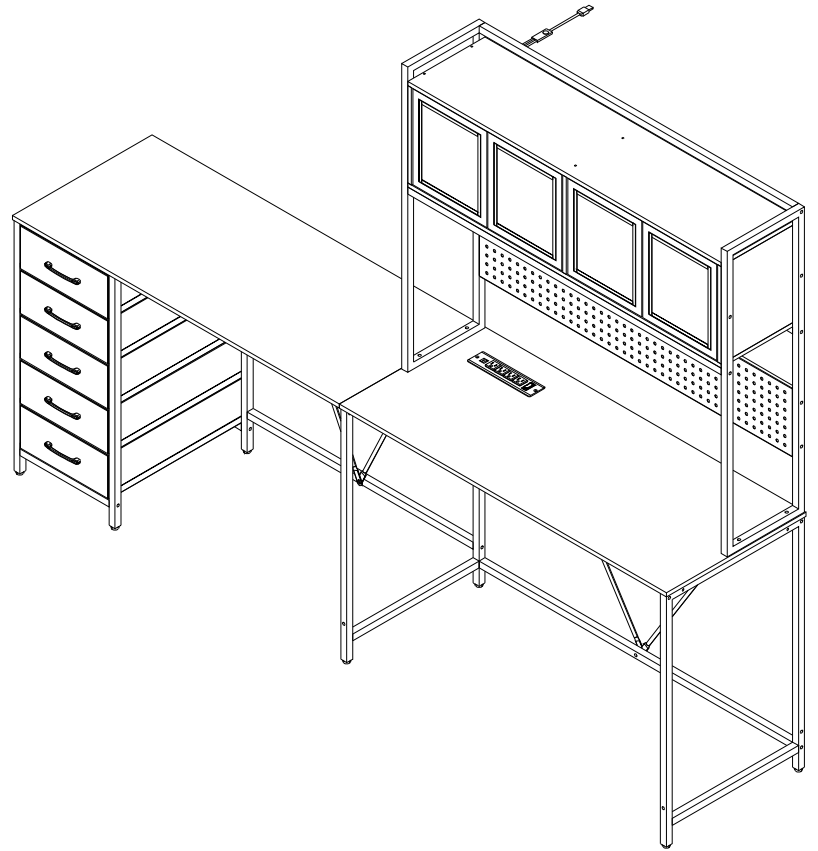


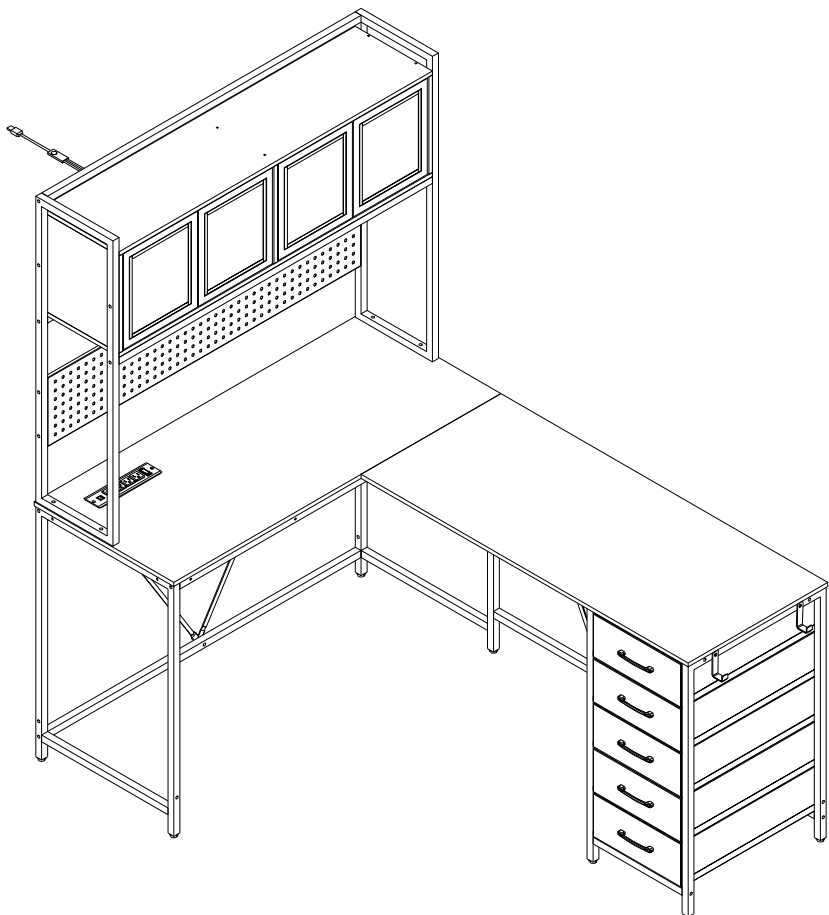
Option 1:



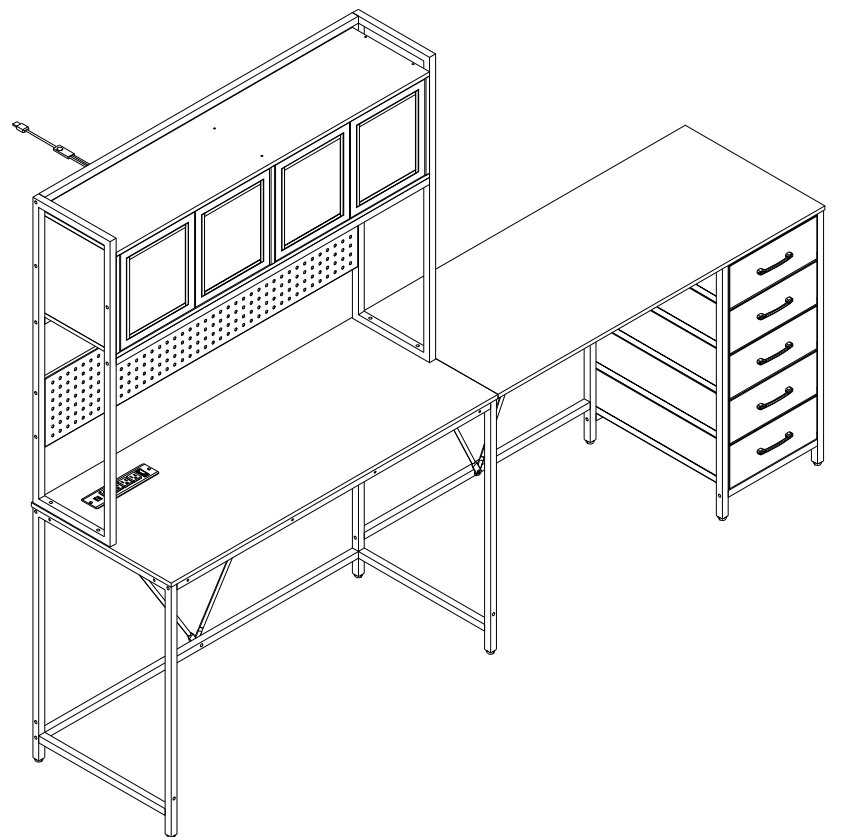
Option 2:

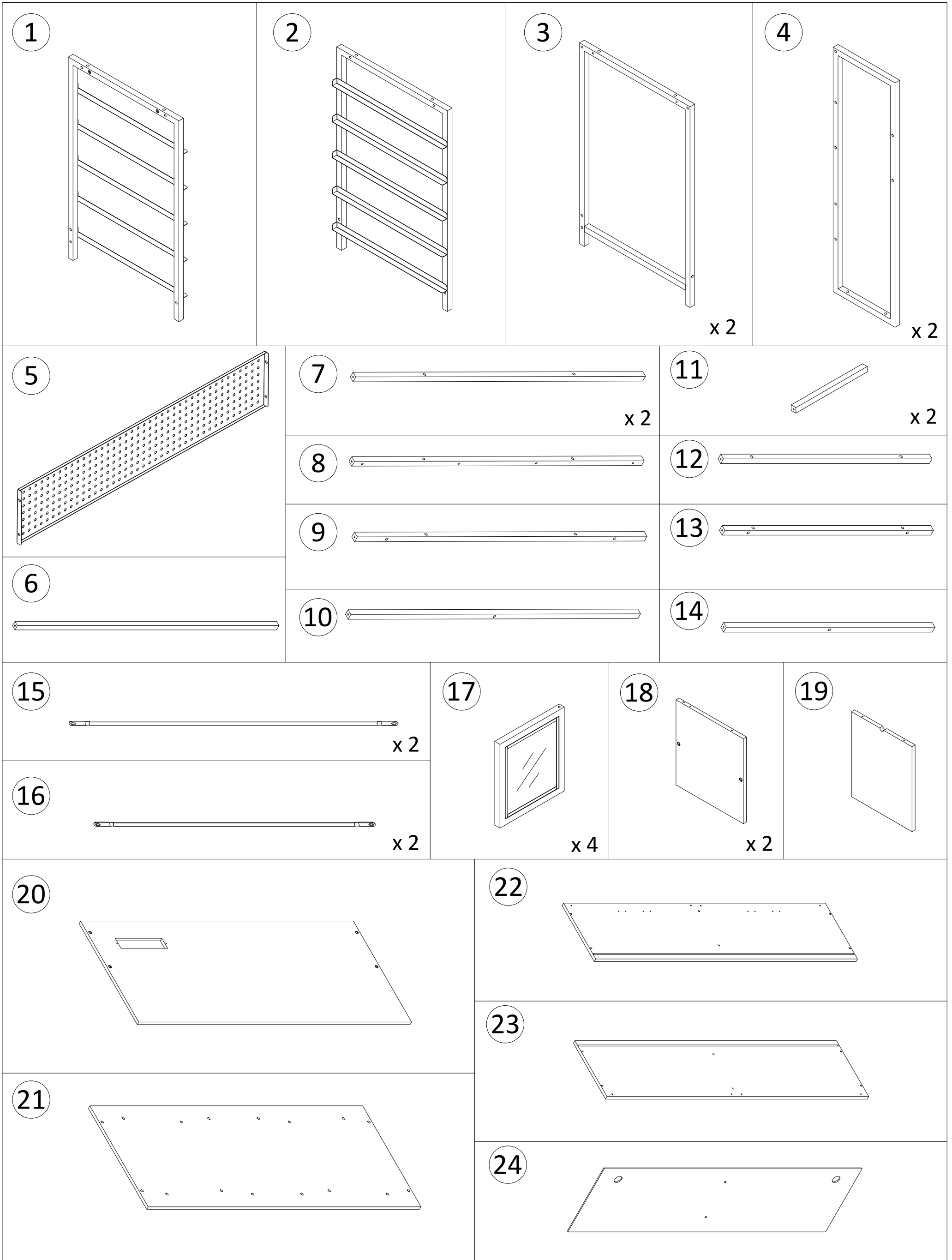
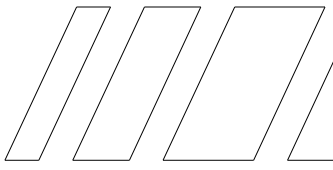


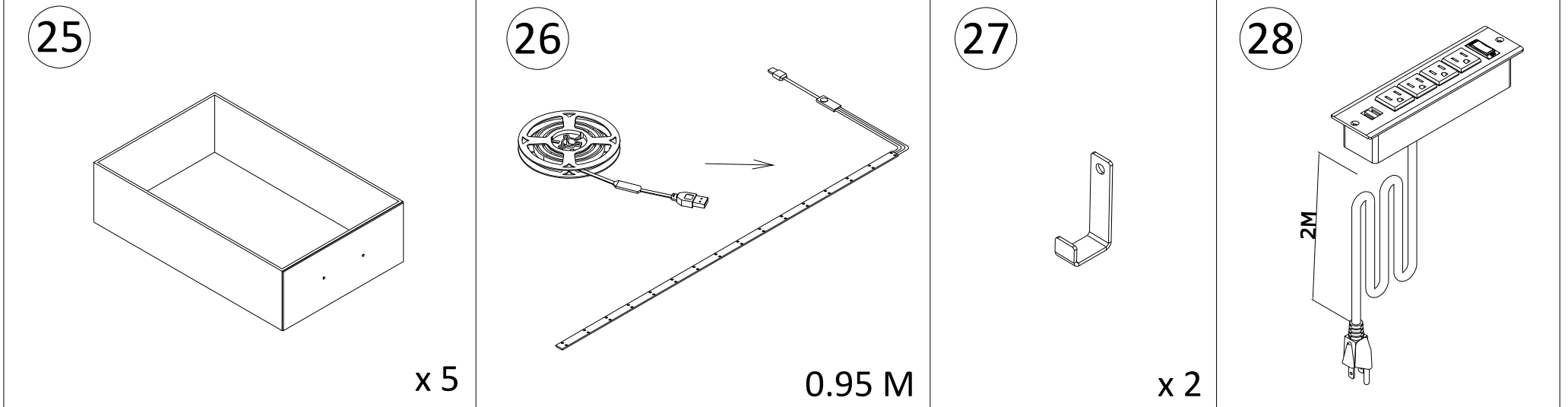
Option 3:

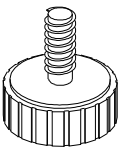
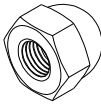


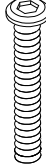



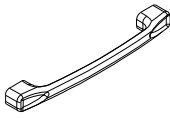

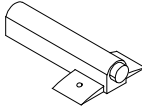
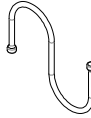
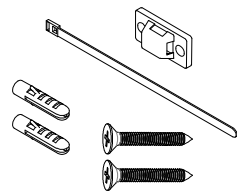
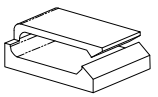
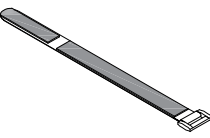

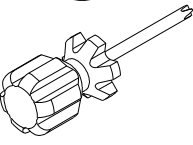
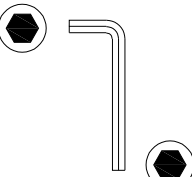

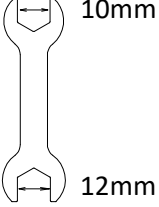


Option 4:

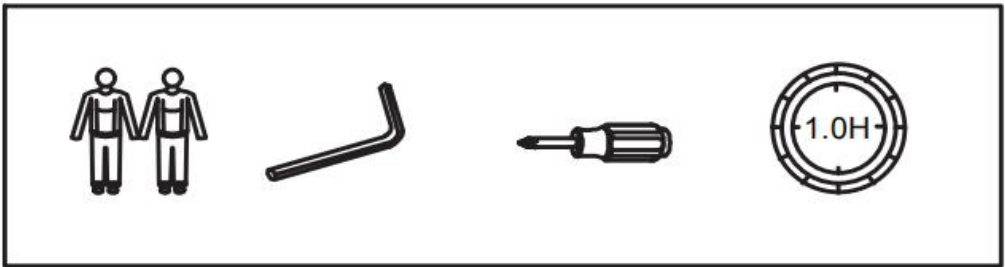
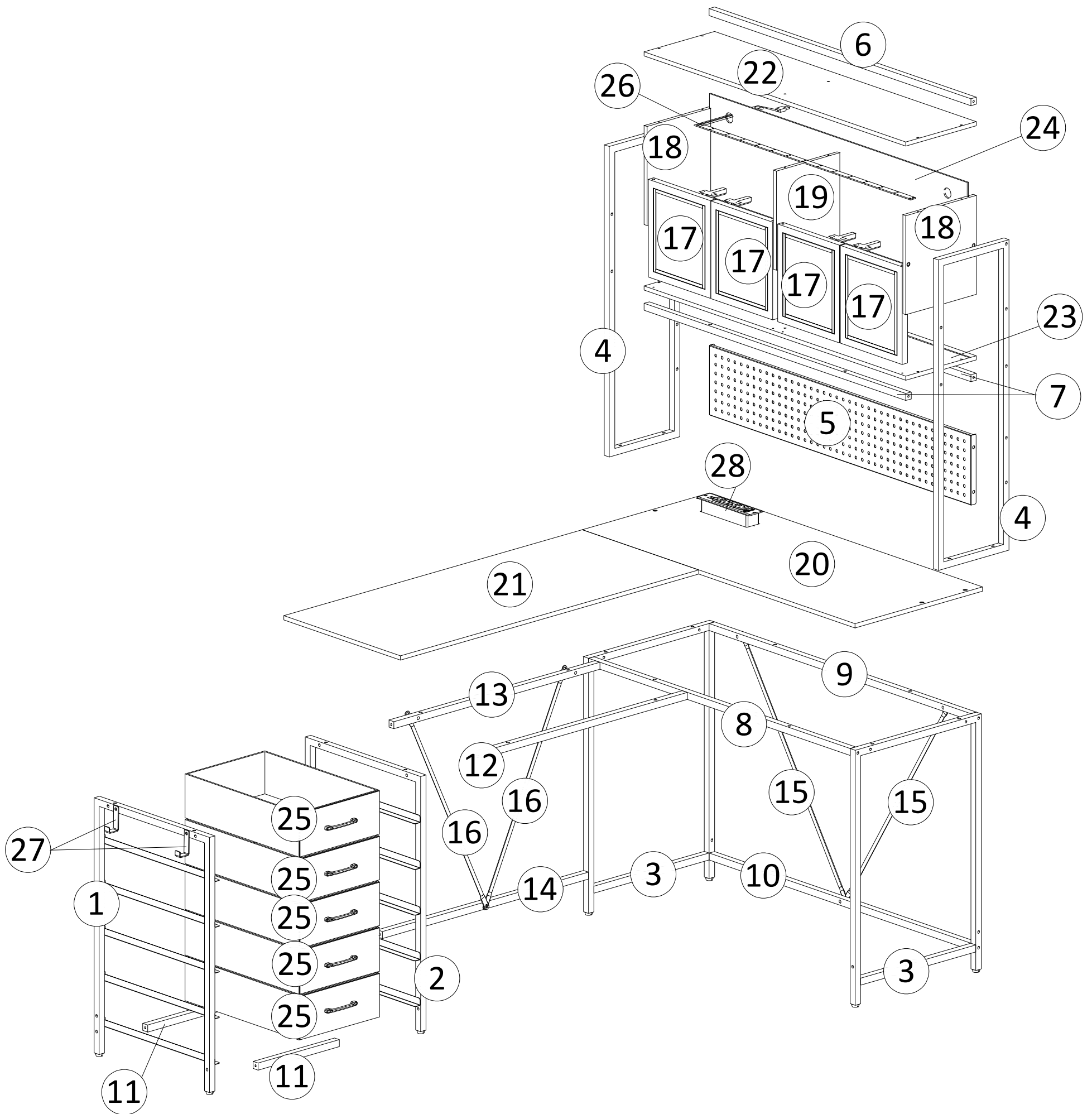






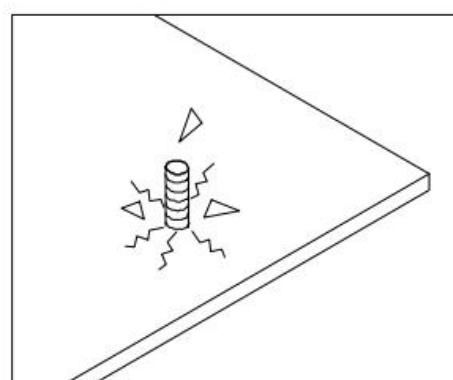
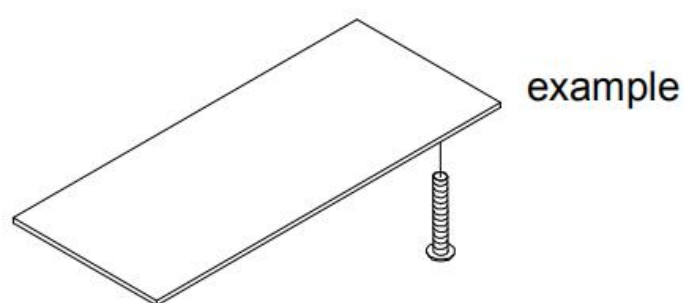
<p><b>A</b> M6XØ28</p>  <p>8 PCS</p>	<p><b>B</b> M6xL12</p>  <p>10 PCS</p>	<p><b>C</b> M6x12</p>  <p>2 PCS</p>	<p><b>D</b> M6x28</p>  <p>38 PCS</p>	<p><b>E</b> M6x40</p>  <p>22 PCS</p>	<p><b>G</b> M3.5x12</p>  <p>12 PCS</p>	<p><b>H</b> M5x40</p>  <p>12 PCS</p>
<p><b>I</b></p>  <p>8 PCS</p>	<p><b>J</b> 8335-96</p>  <p>5 PCS</p>	<p><b>K</b> M4x10</p>  <p>10 PCS</p>	<p><b>L</b></p>  <p>4 PCS</p>	<p><b>M</b> 64x53</p>  <p>5 PCS</p>	<p><b>N</b></p>  <p>2 SETS</p>	<p><b>O</b></p>  <p>5 PCS</p>
<p><b>P</b></p>  <p>1 PCS</p>	  <p>1 PCS</p>	<p>4#</p>  <p>1 PCS</p>	<p>3#</p>  <p>1 PCS</p>	 <p>10mm 12mm</p> <p>1 PCS</p>		

**GAUTION:**When tightening the screws,tighten sequentially.  
Do not tighten any screws fully and then towards the next one.  
When every part is OK,then tighten all the screws

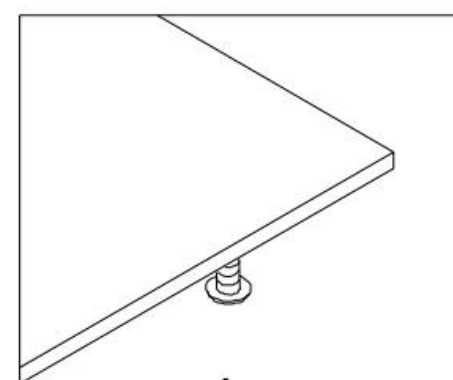


# 1. Matters needing attention

Be sure to use the proper screws to avoid damaging the parts



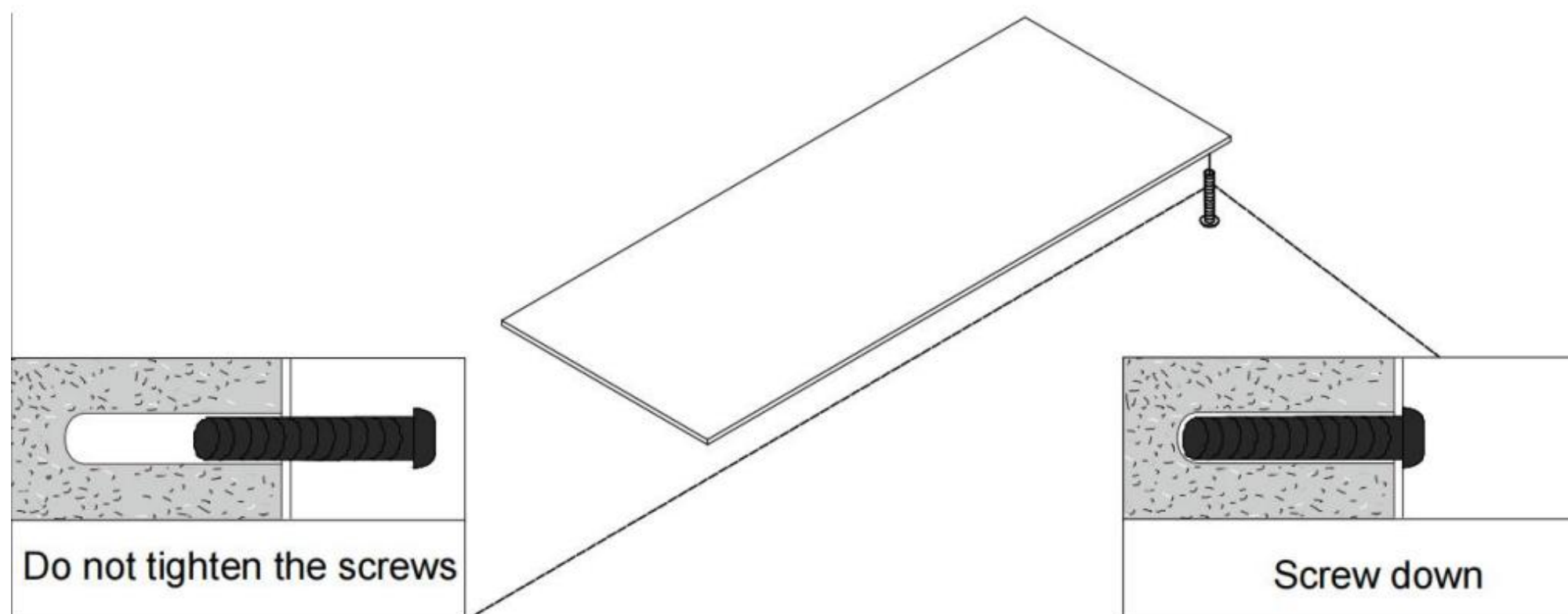
Wrong screws can cause the plank to crack



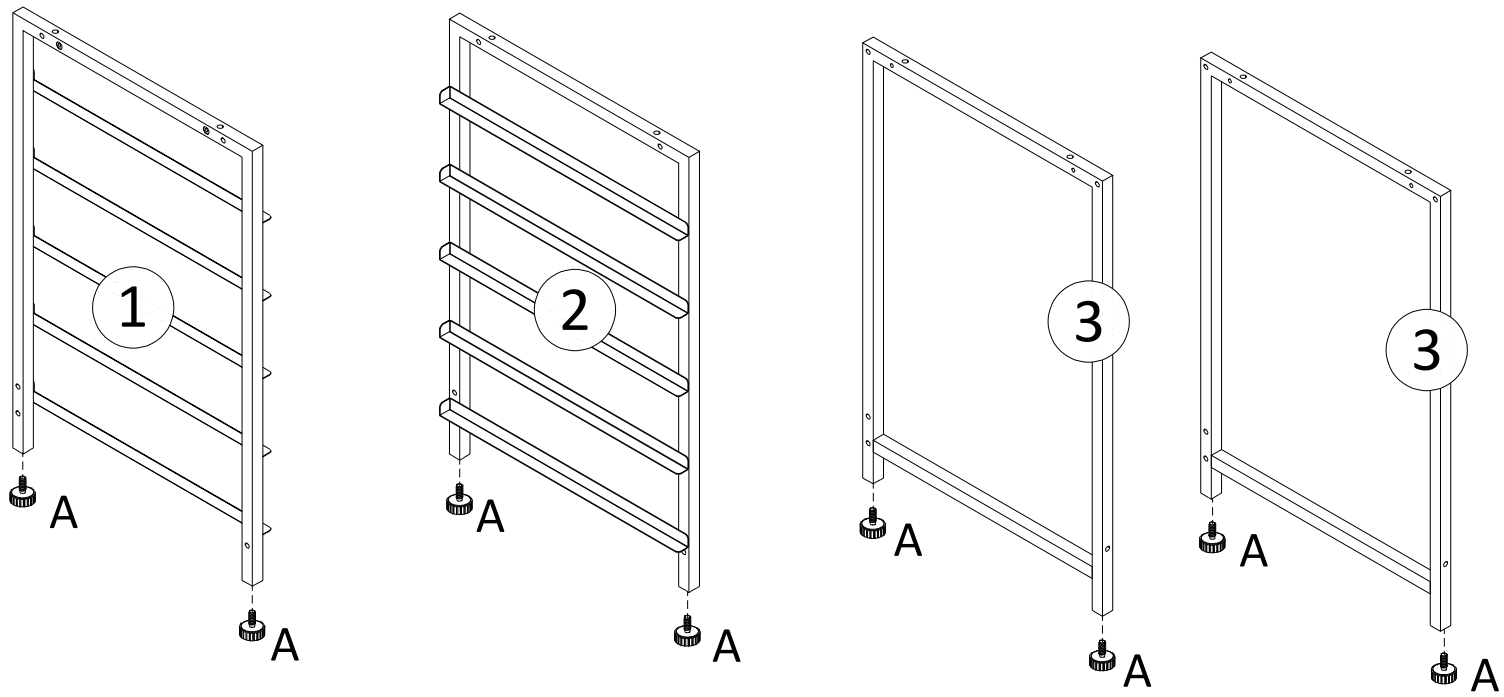
The right screw is the right size

# 2. Matters needing attention

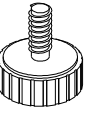
- (1) When installing the screws in the installation step, the screws do not need to be tightened. After this installation step is confirmed and the holes are aligned, then tighten all the screws.
- (2) If the screws are tightened during the installation process, it will cause problems such as misalignment of the screw holes and misalignment of the board in subsequent installations.



1

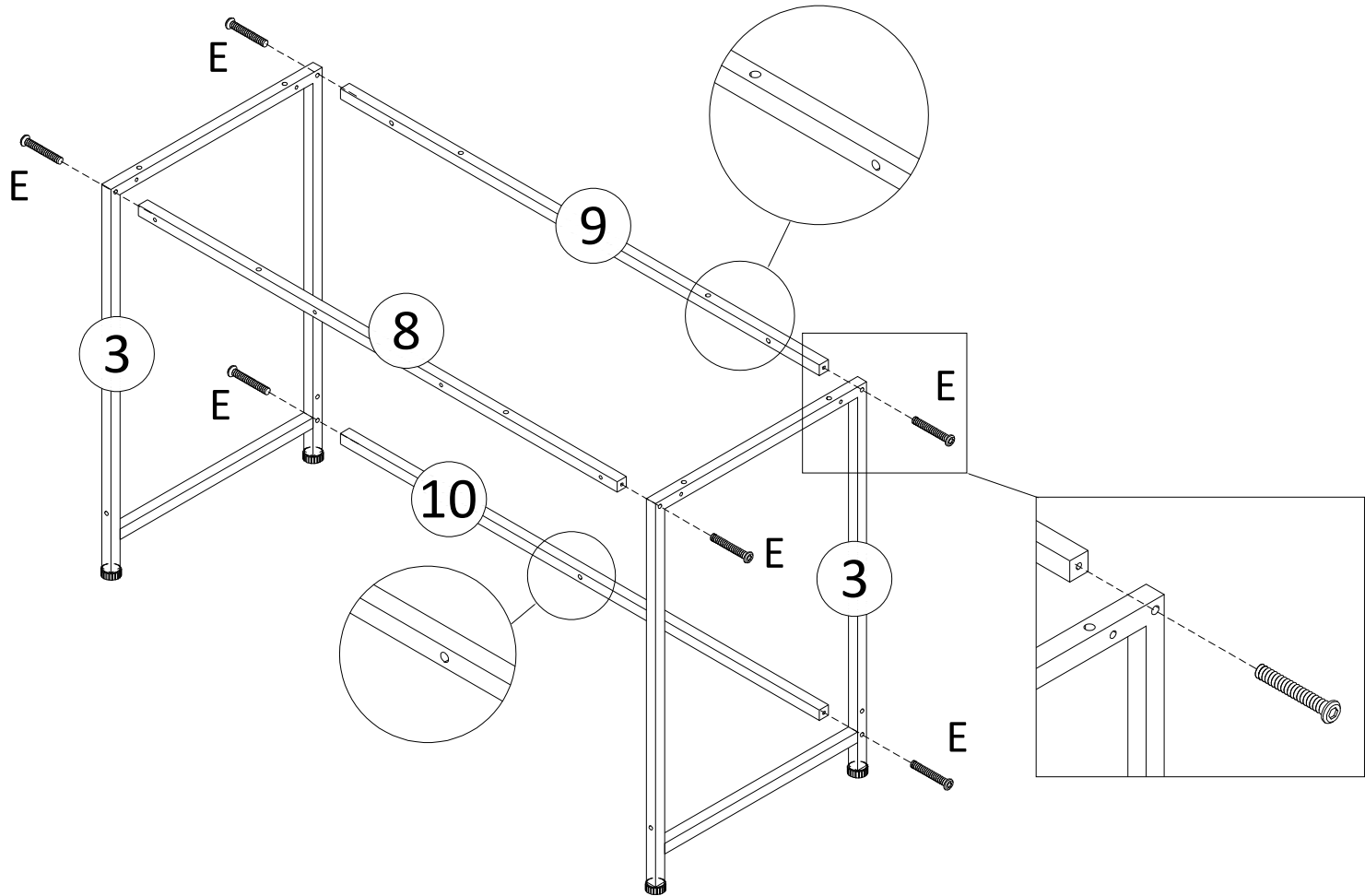


A M6XØ28



8 PCS

2

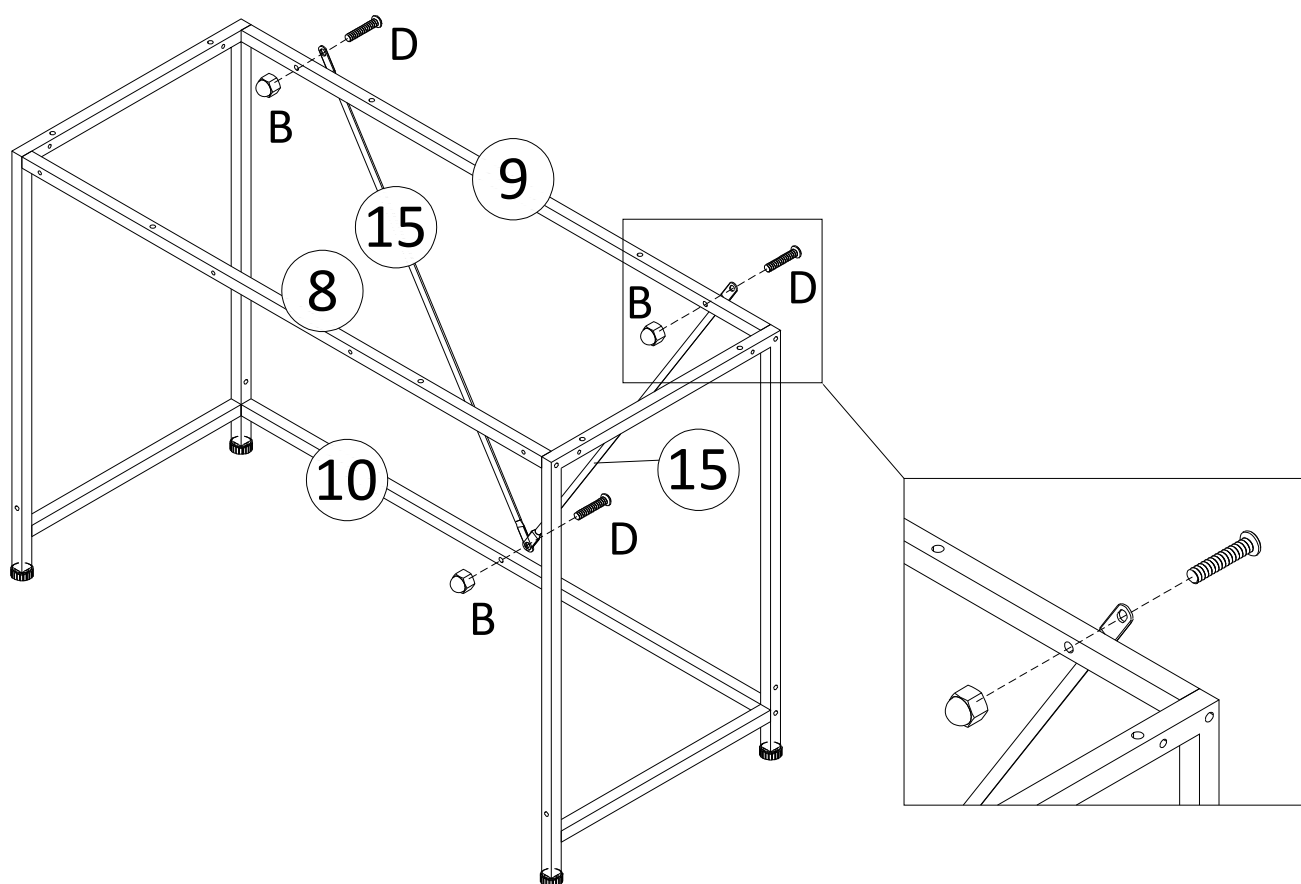


E M6x40

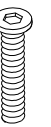


6 PCS

3

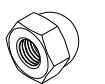


D M6x28



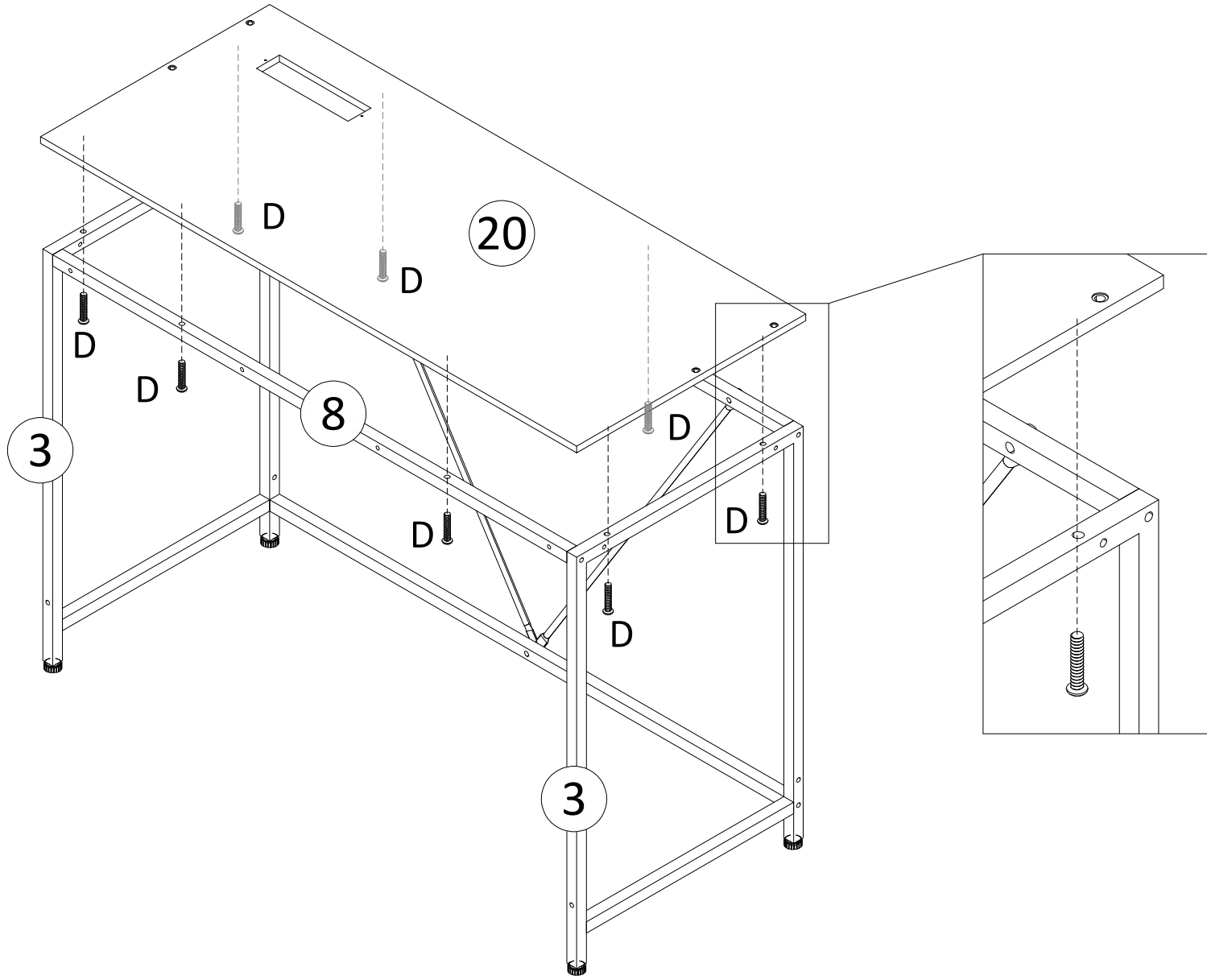
3 PCS

B M6xL12

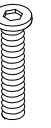


3 PCS

4

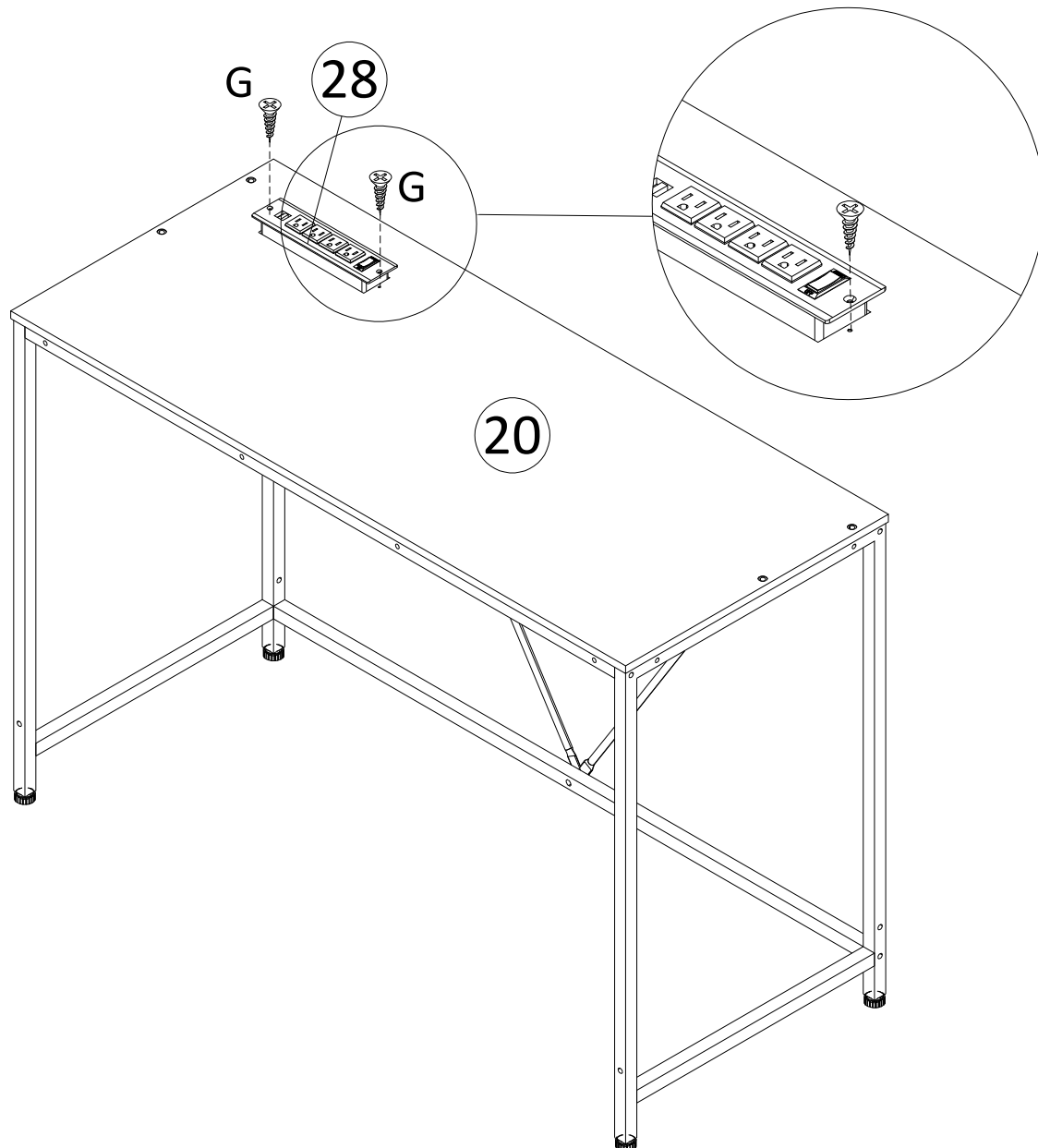


D M6x28



8 PCS

5

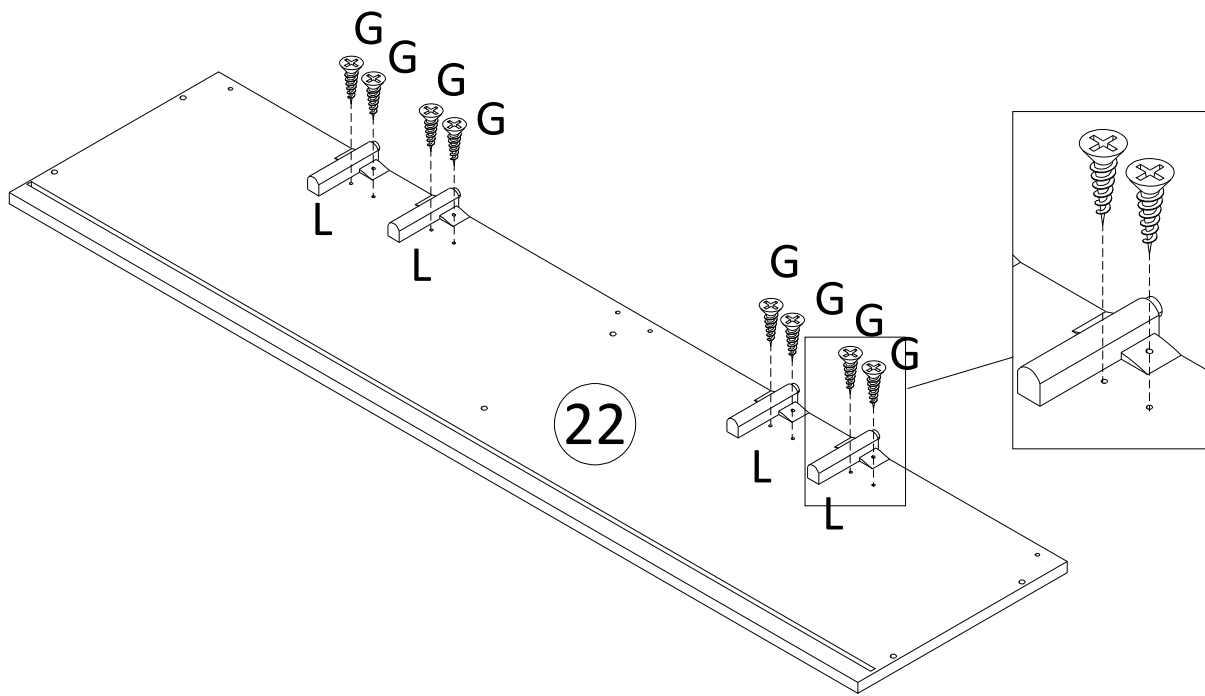


G M3.5x12



2 PCS

6

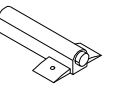


G M3.5x12



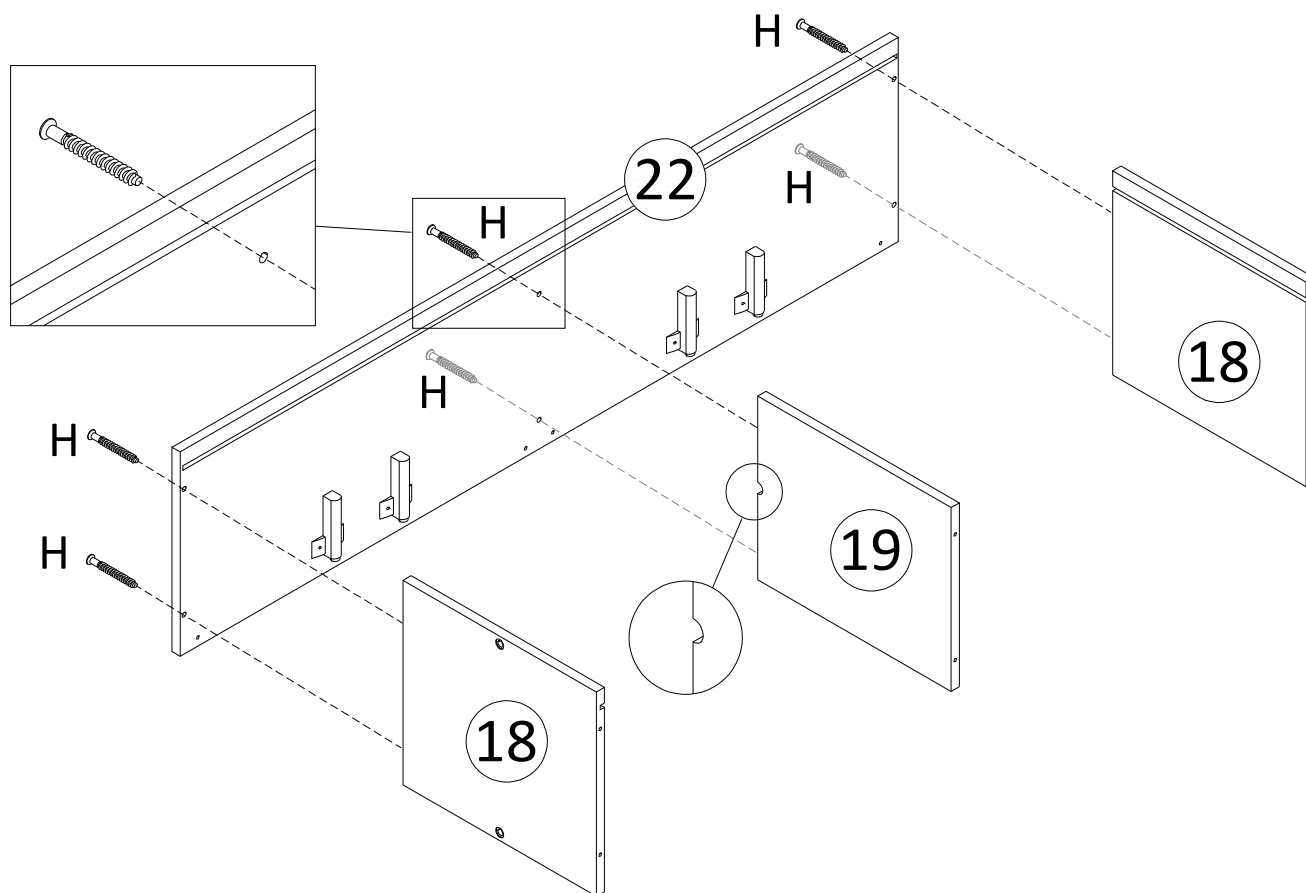
8 PCS

L

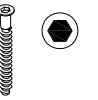


4 PCS

7

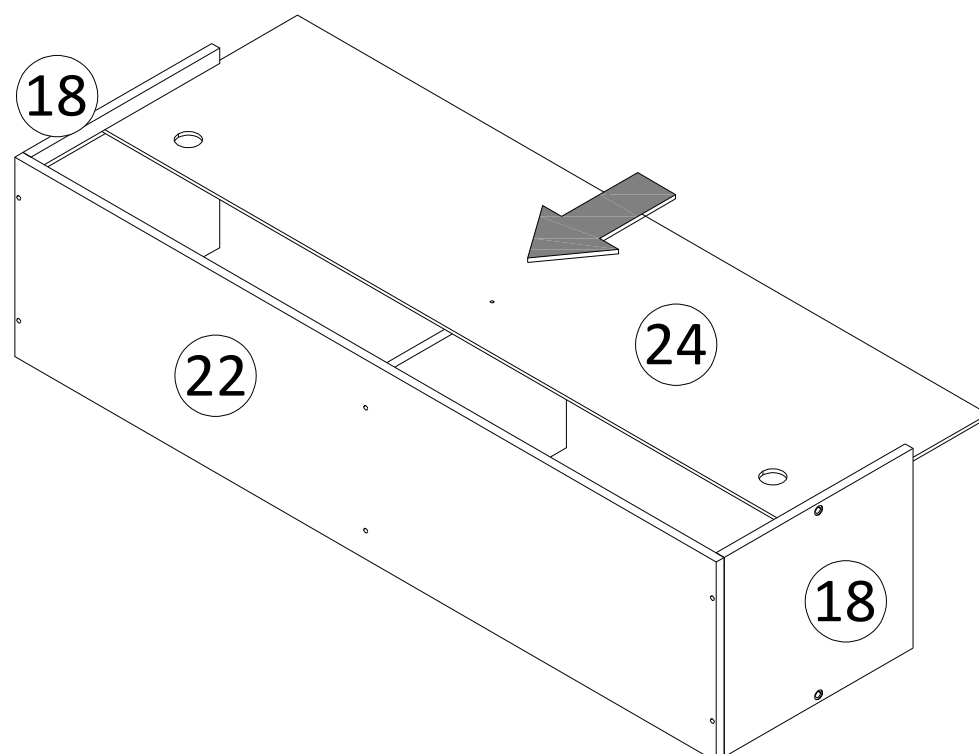


H M5x40

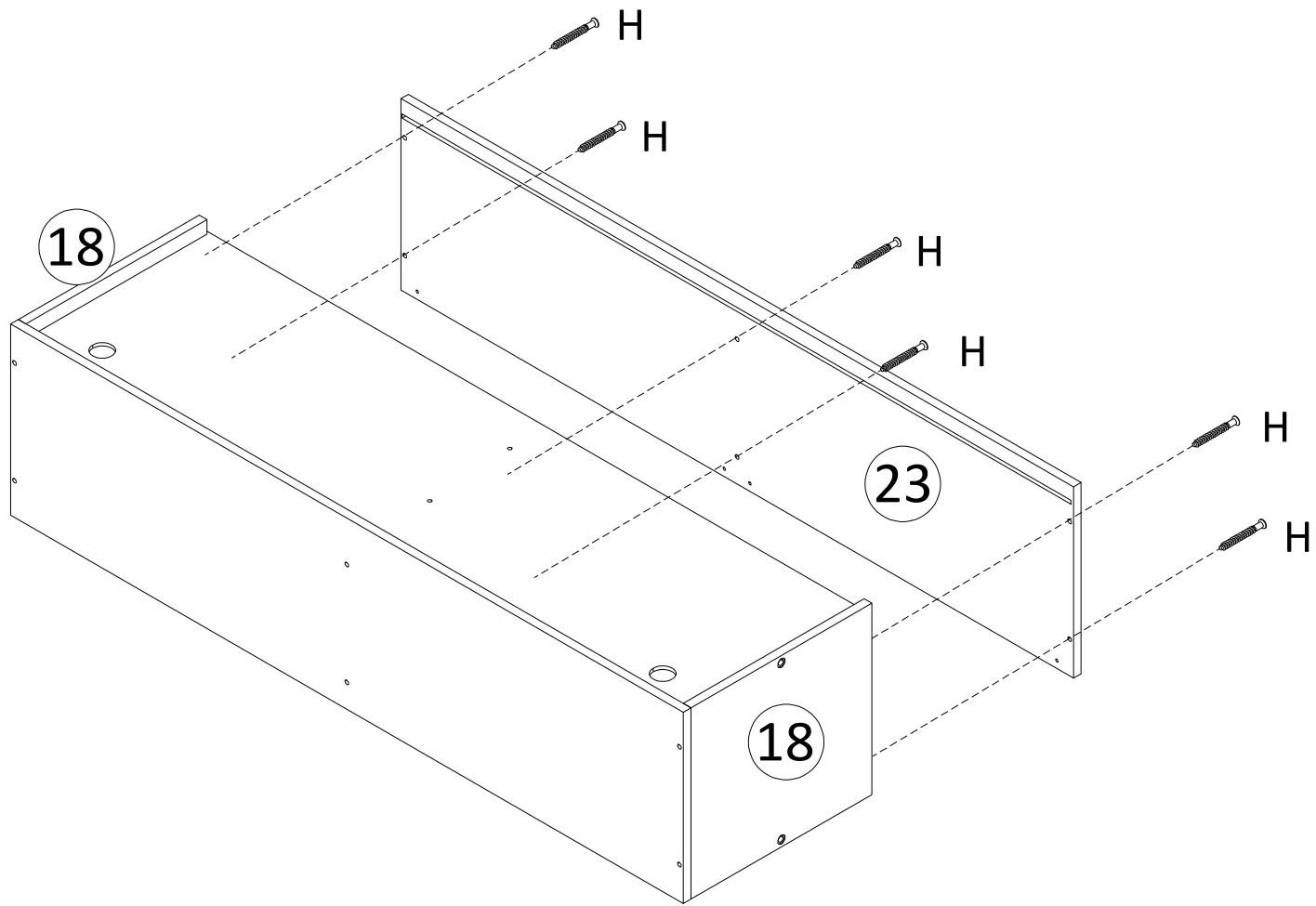


6 PCS

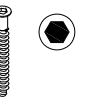
8



9

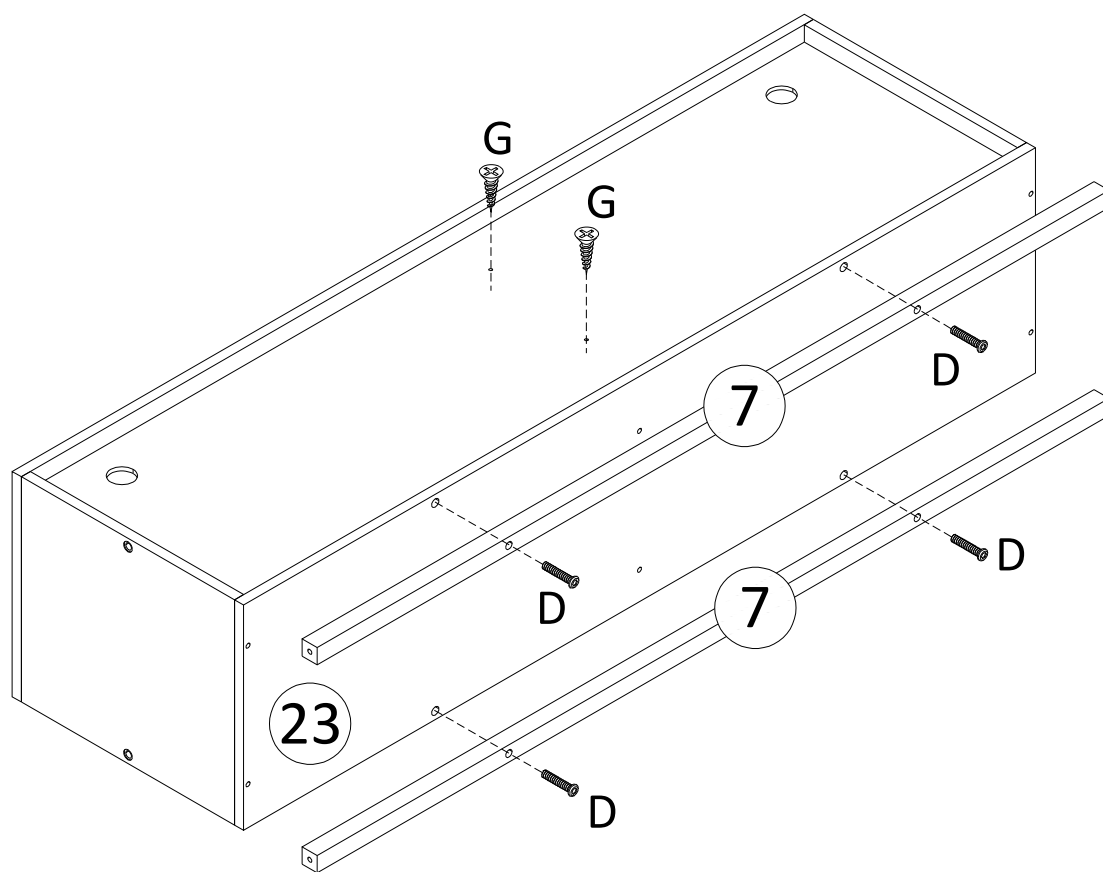


H M5x40

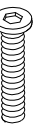


6 PCS

10



D M6x28



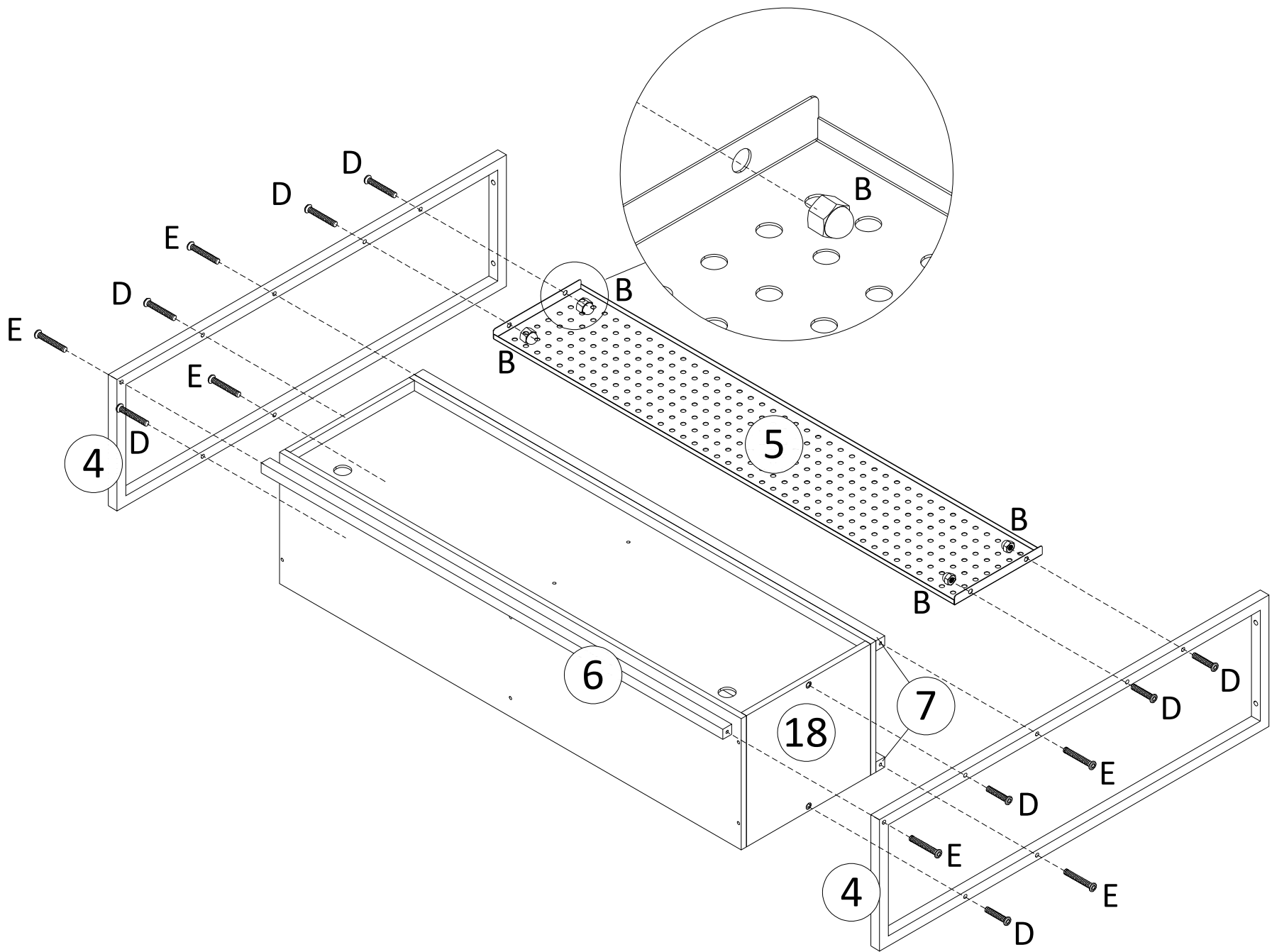
4 PCS

G M3.5x12



2 PCS

11

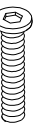


E M6x40



6 PCS

D M6x28



8 PCS

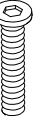
B M6xL12



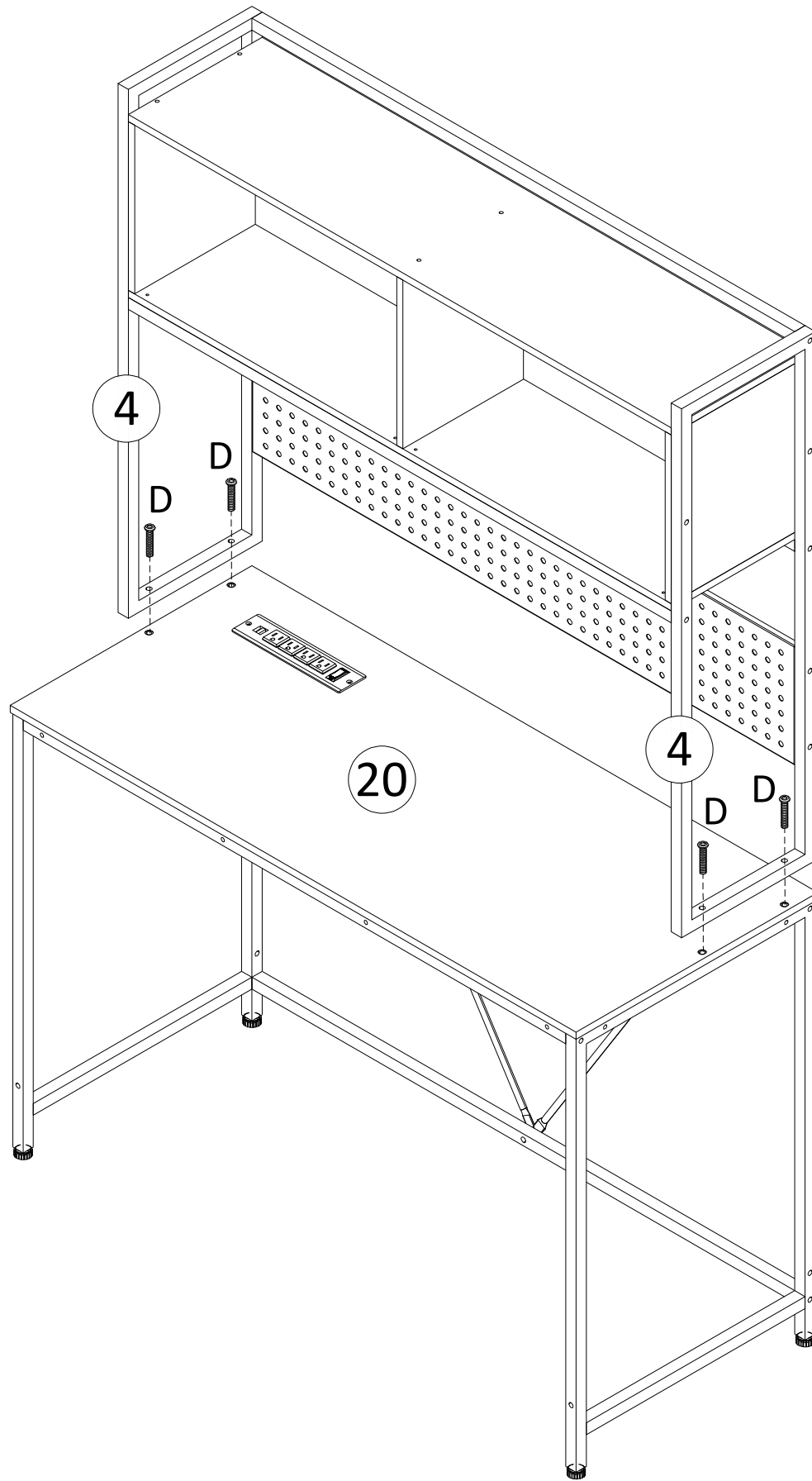
4 PCS

12

D M6x28



4 PCS



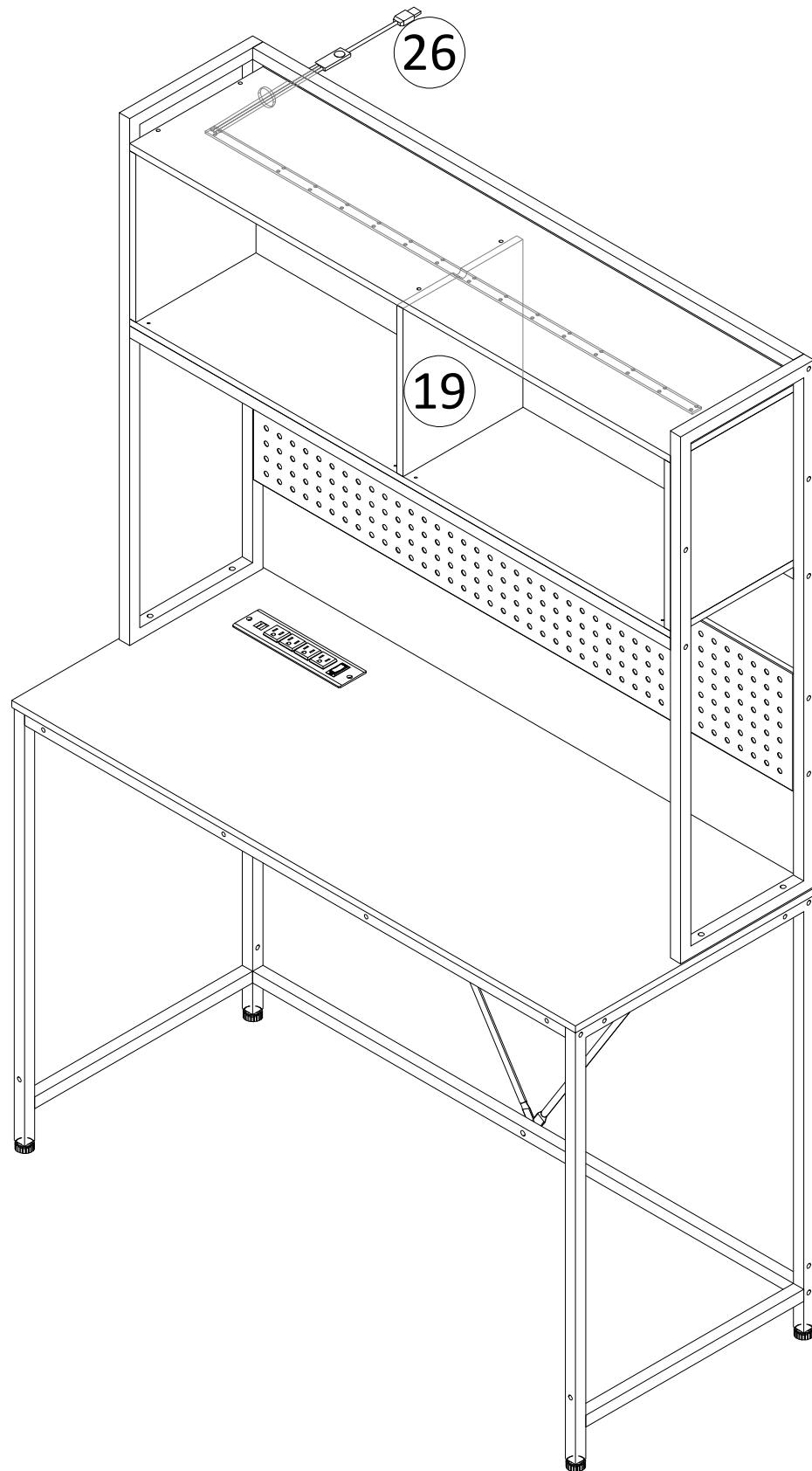
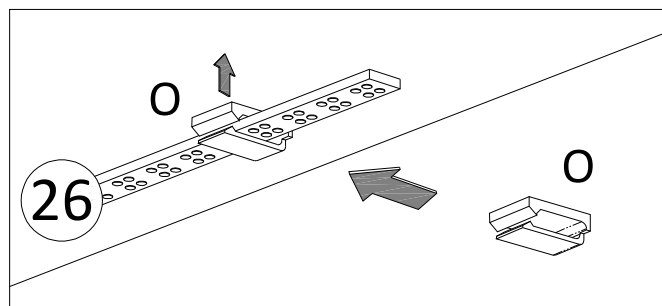
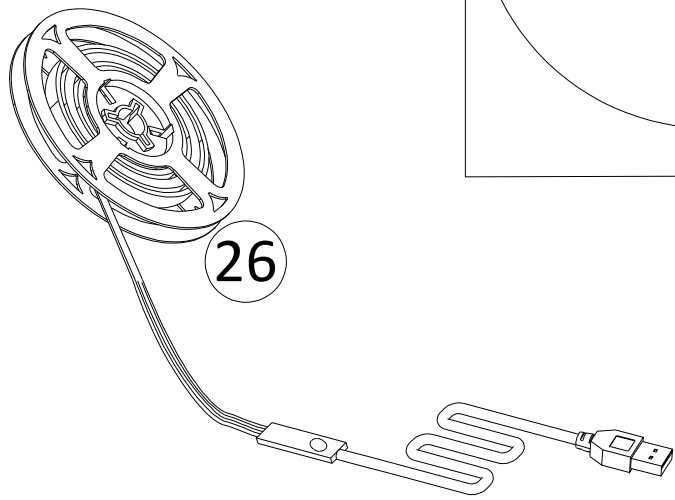
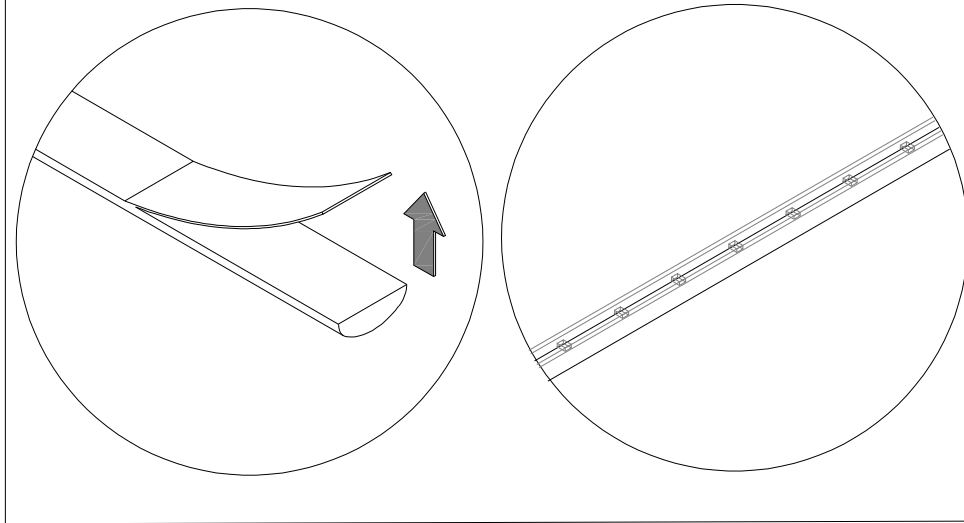
13

Tear off the tape and apply it to the plate, Then press it firmly with your hand

0



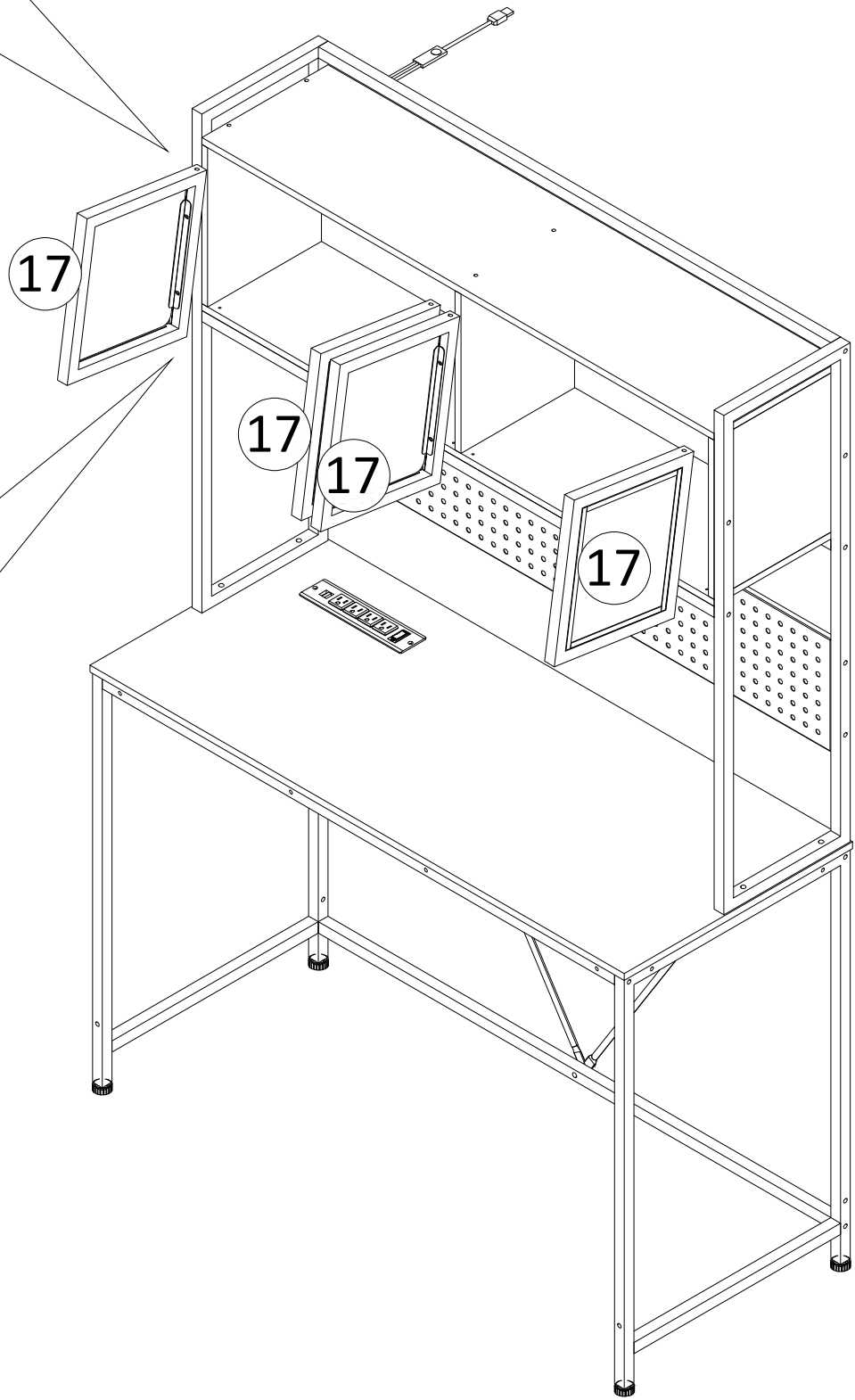
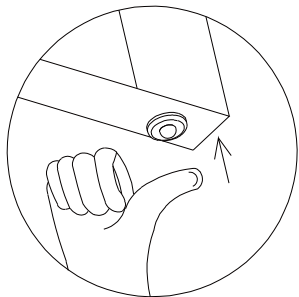
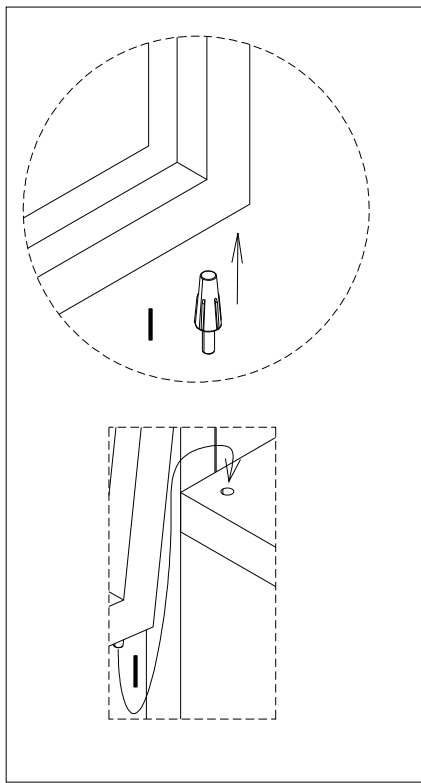
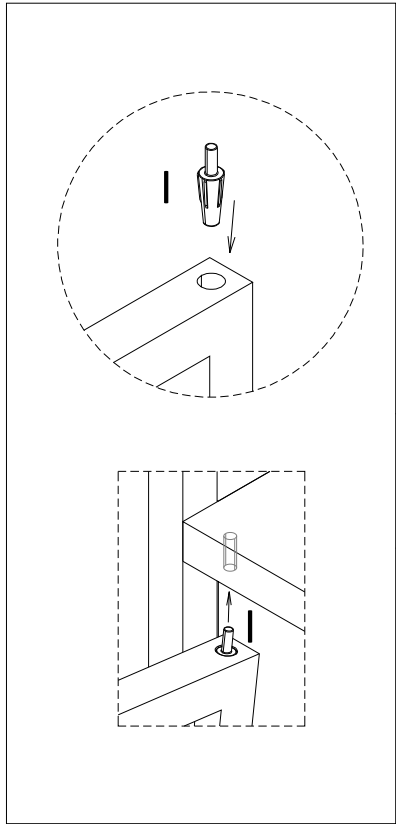
5 PCS



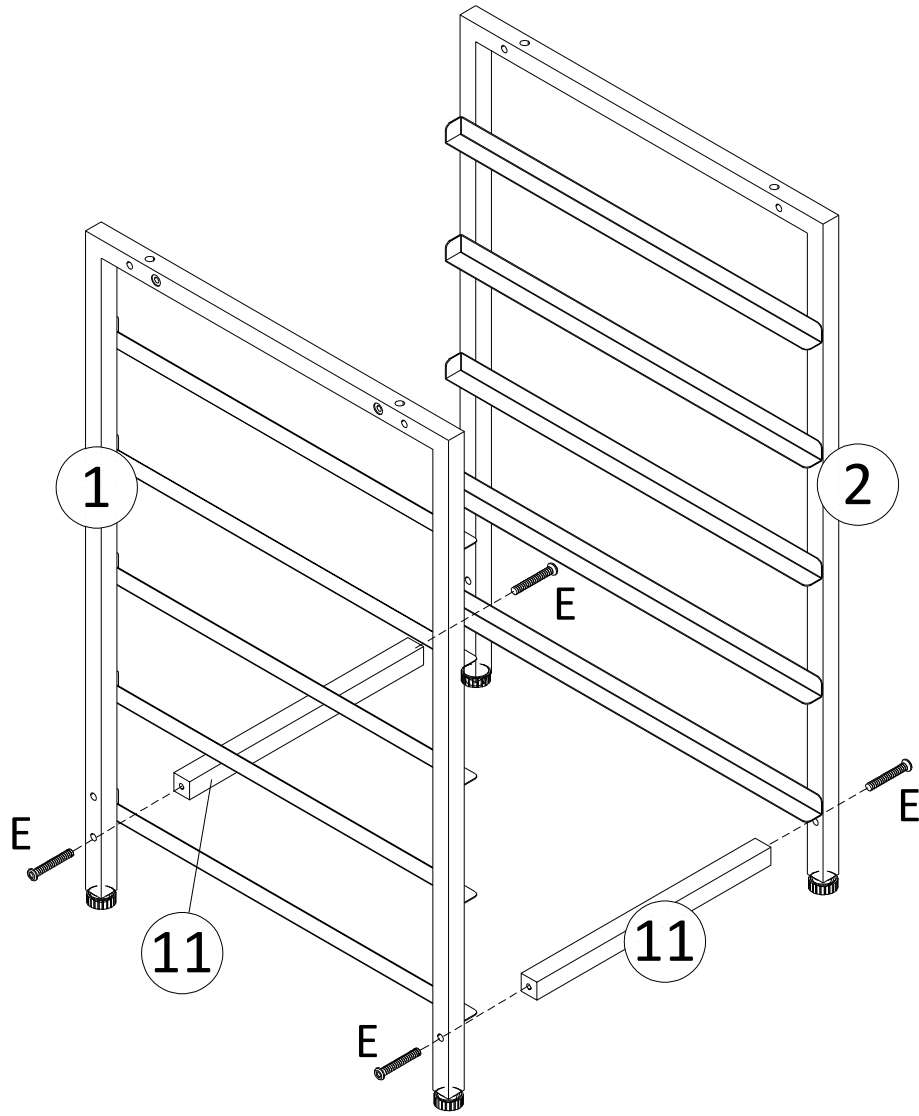
"The buckle of this lamp belt can be installed or not."

14

I  
8 PCS



15

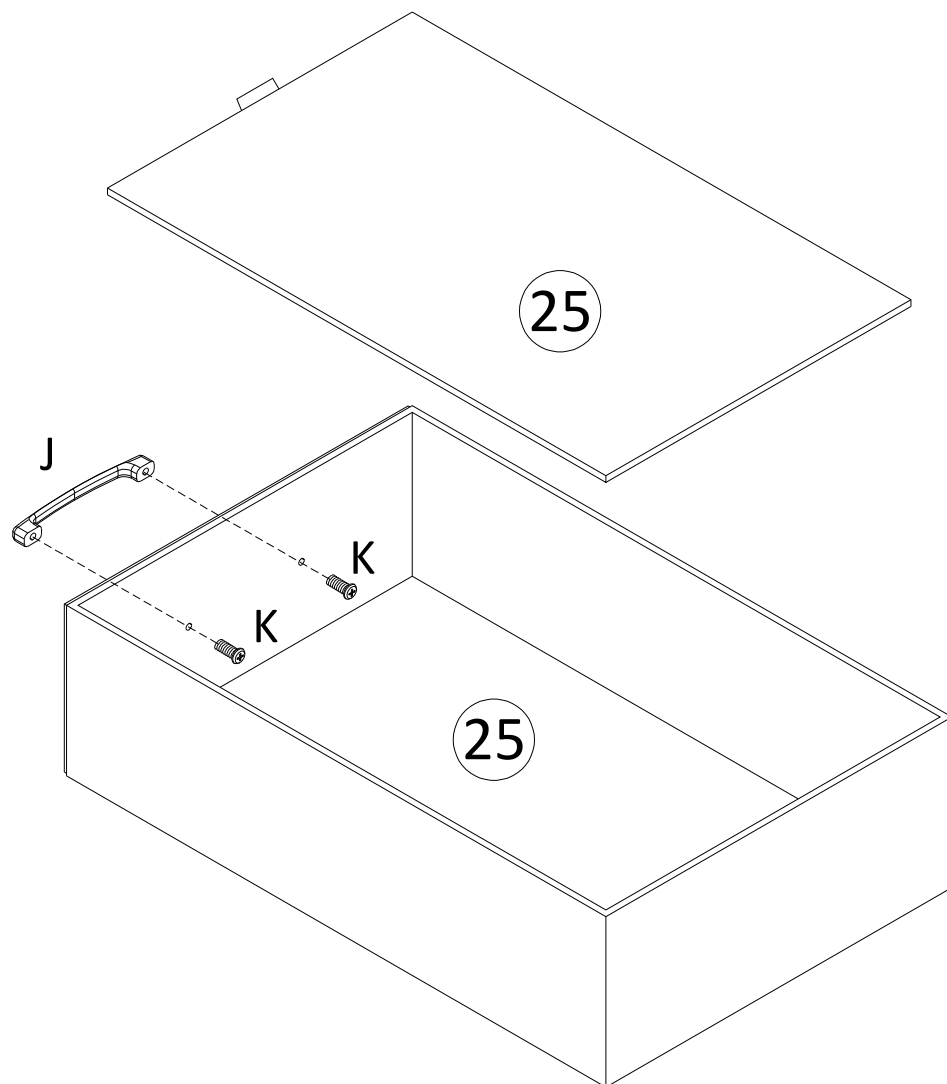


E M6x40

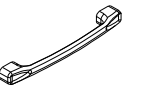


4 PCS

16



J 8335-96



5 PCS

K M4x10

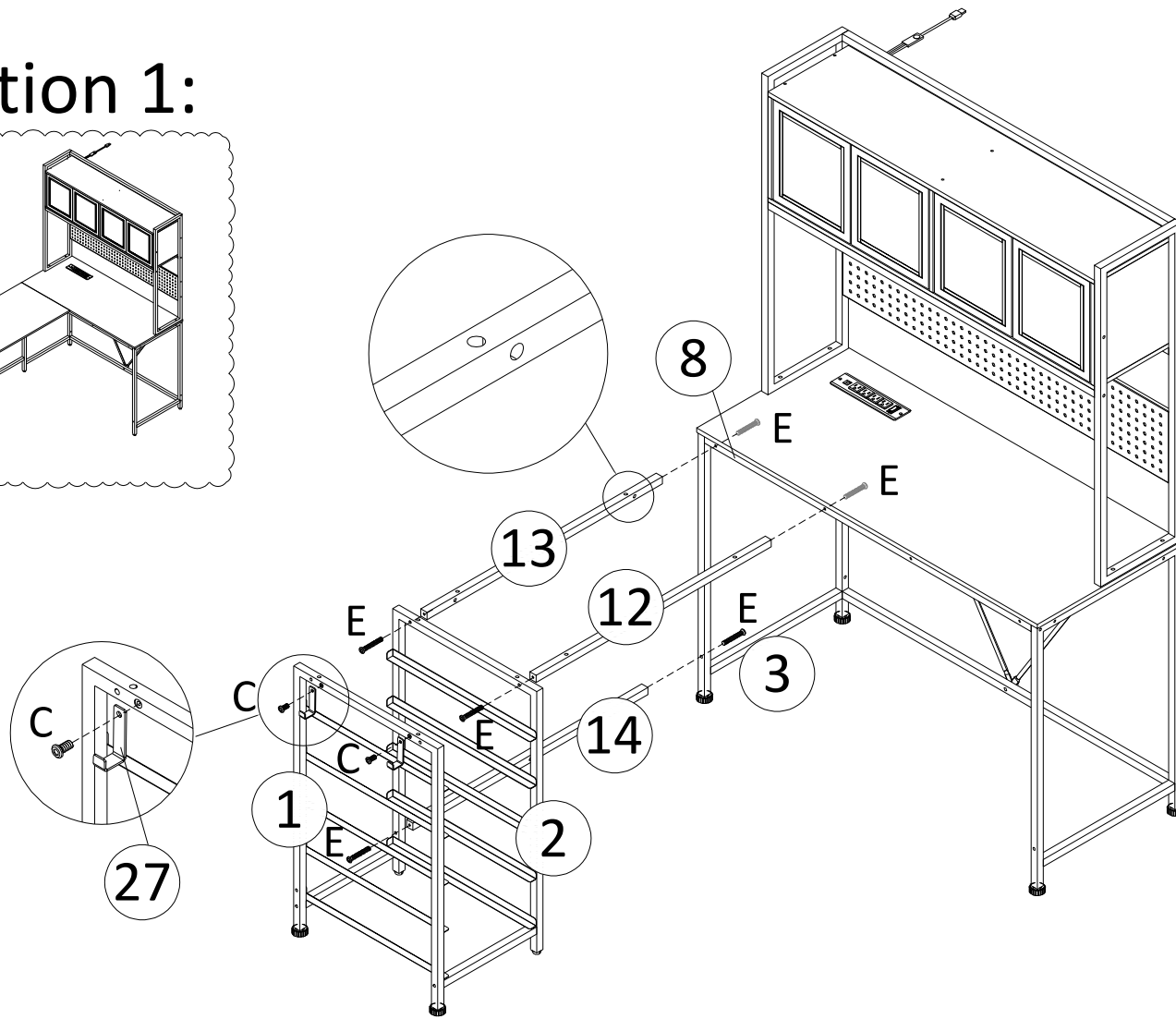
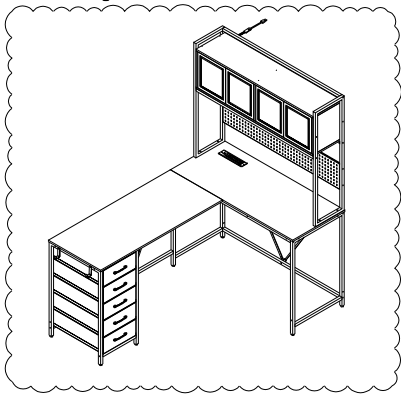


10 PCS

x 5

17

Option 1:



E M6x40



6 PCS

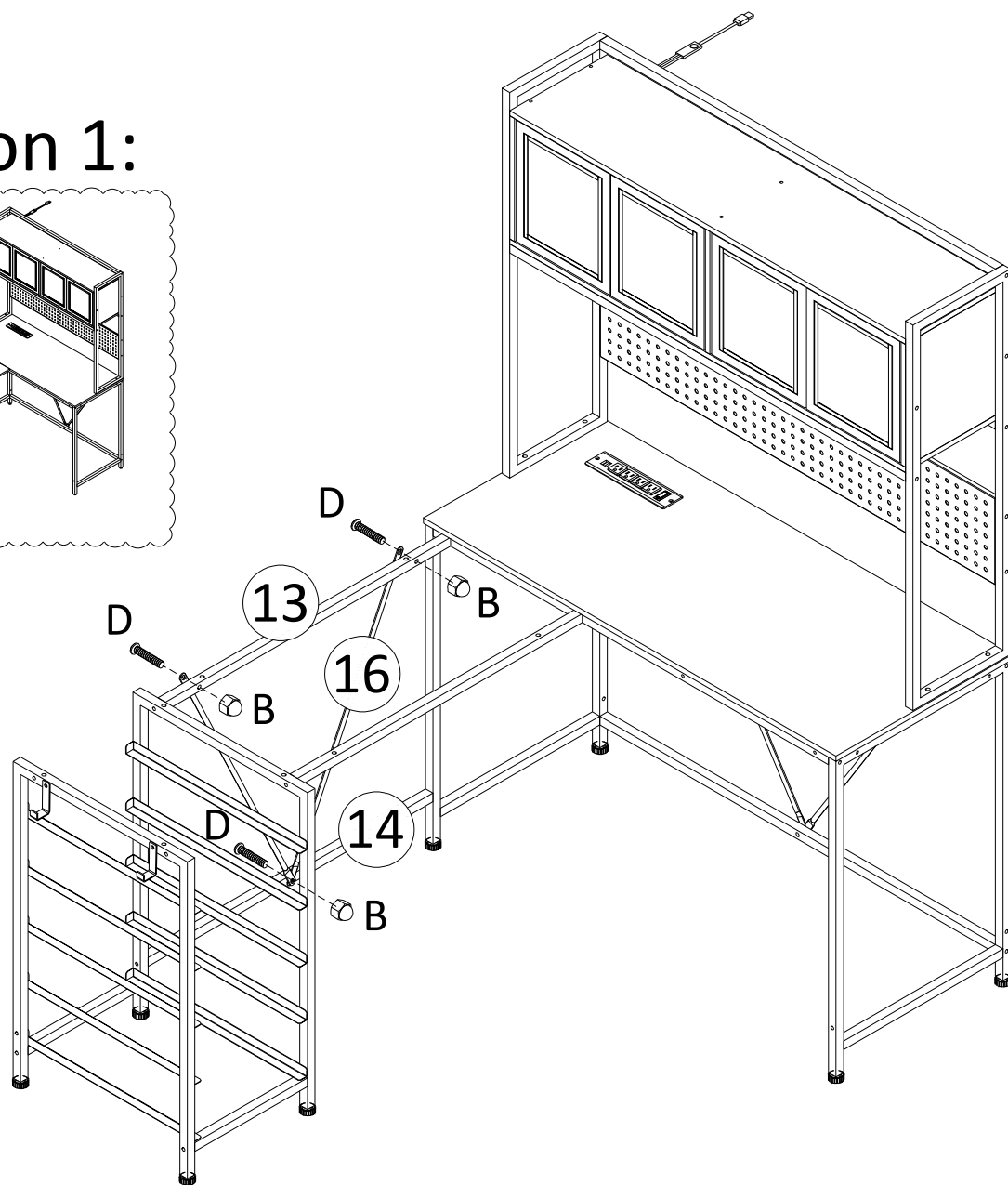
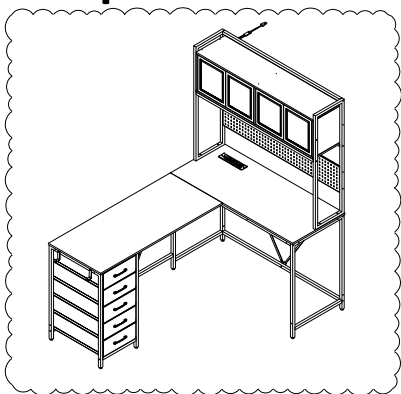
C M6x12



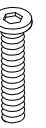
2 PCS

18

Option 1:



D M6x28



3 PCS

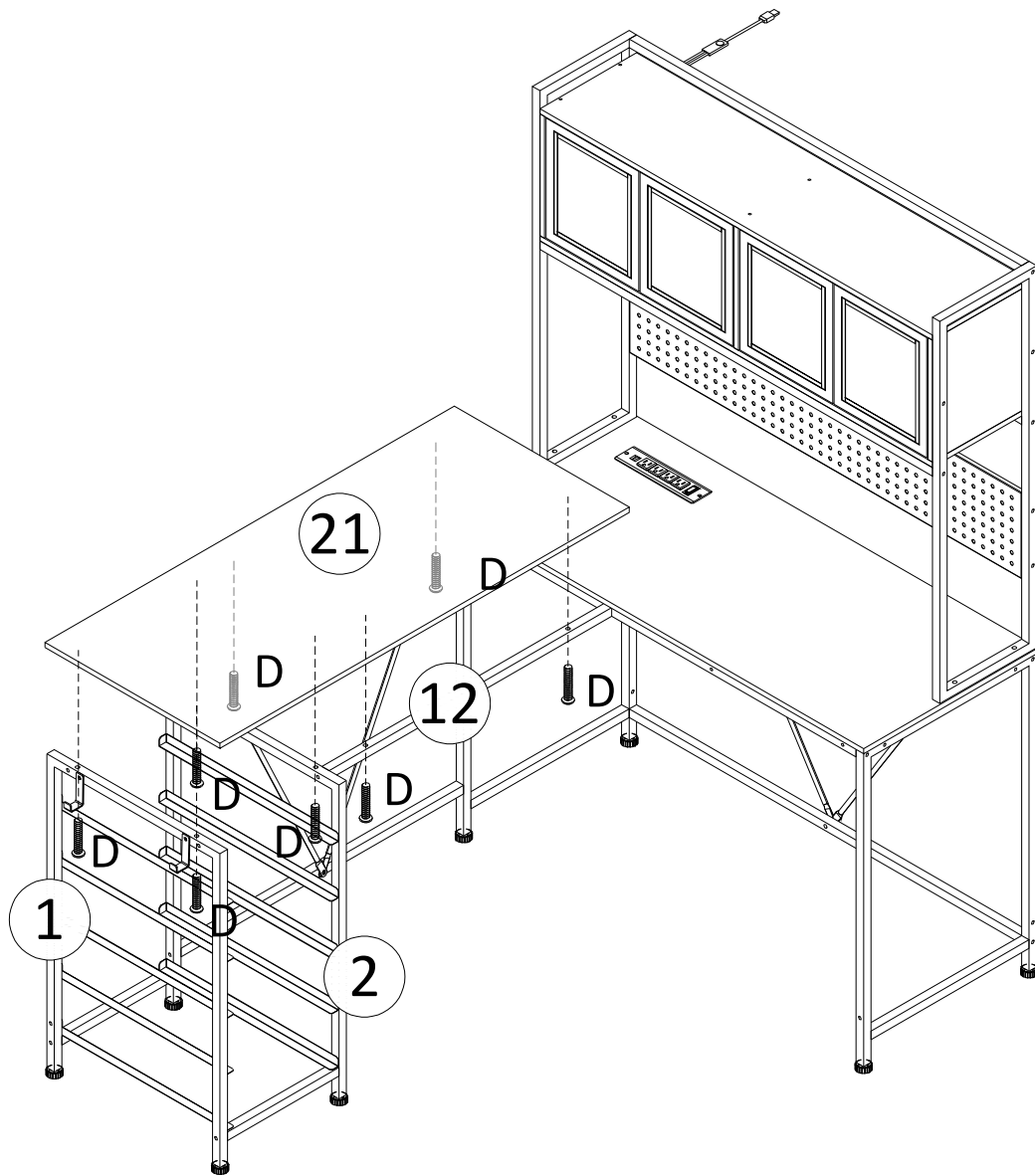
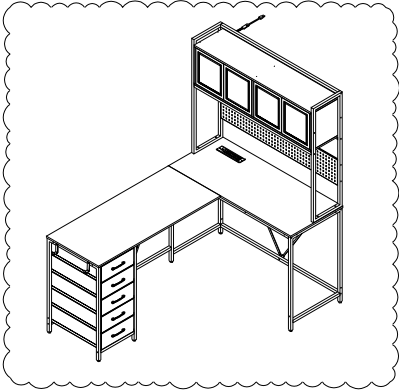
B M6xL12



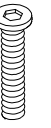
3 PCS

19

Option 1:



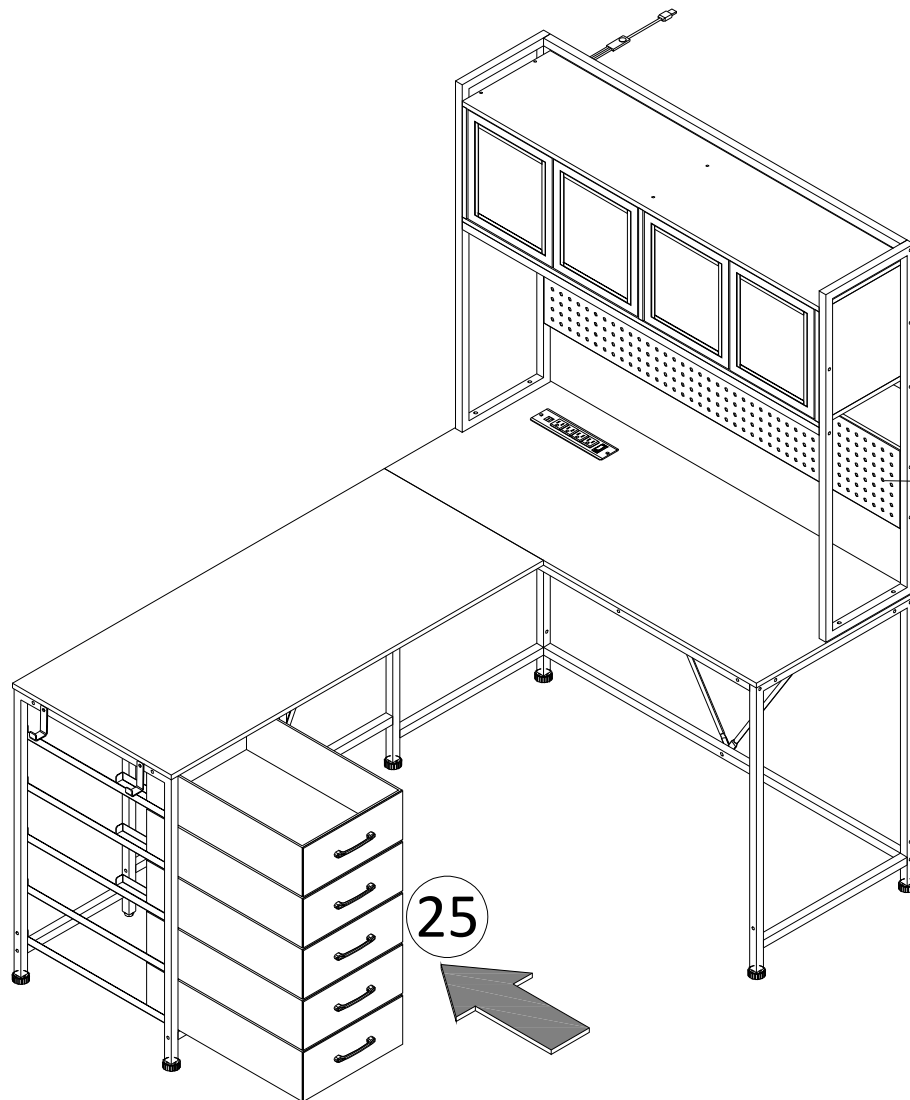
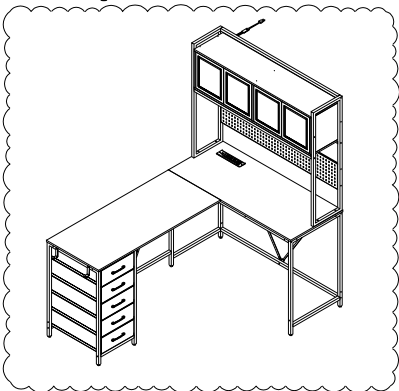
D M6x28



8 PCS

20

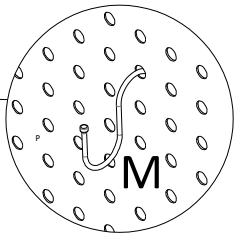
Option 1:

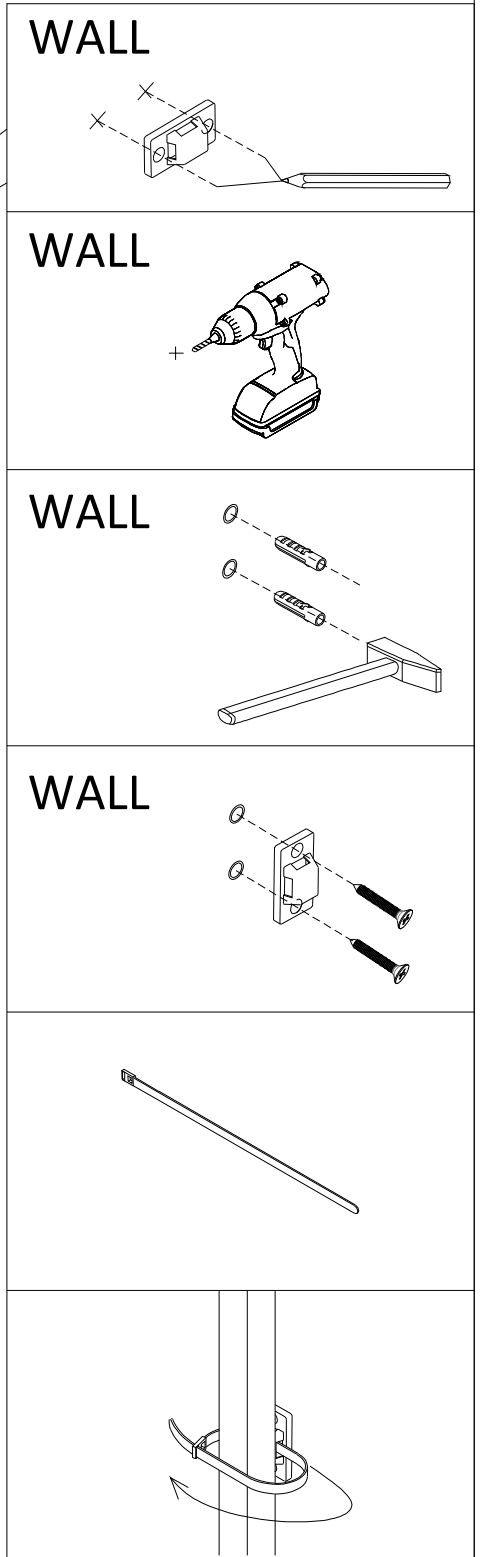
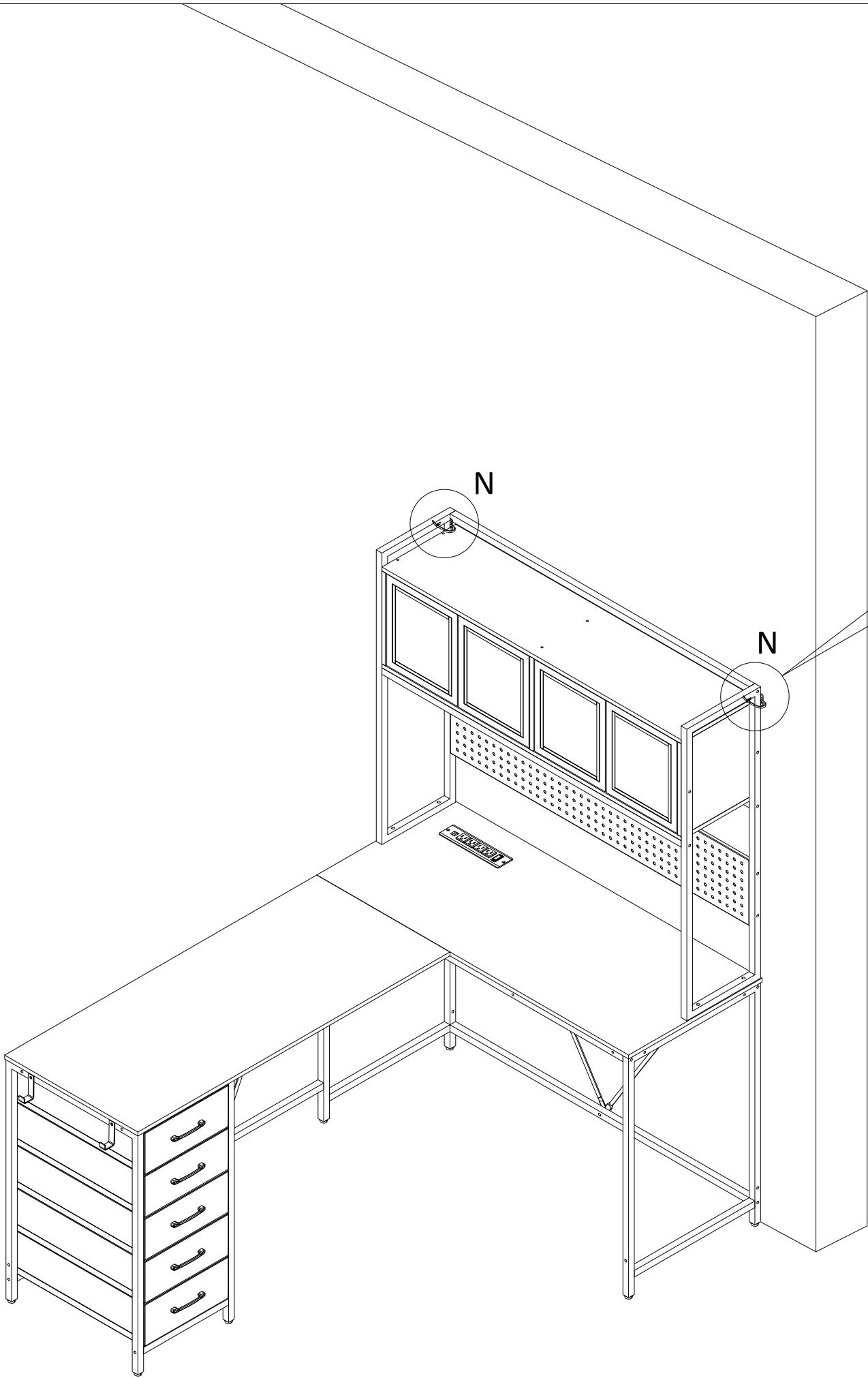
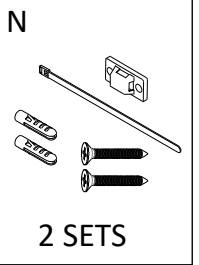


M 64x53

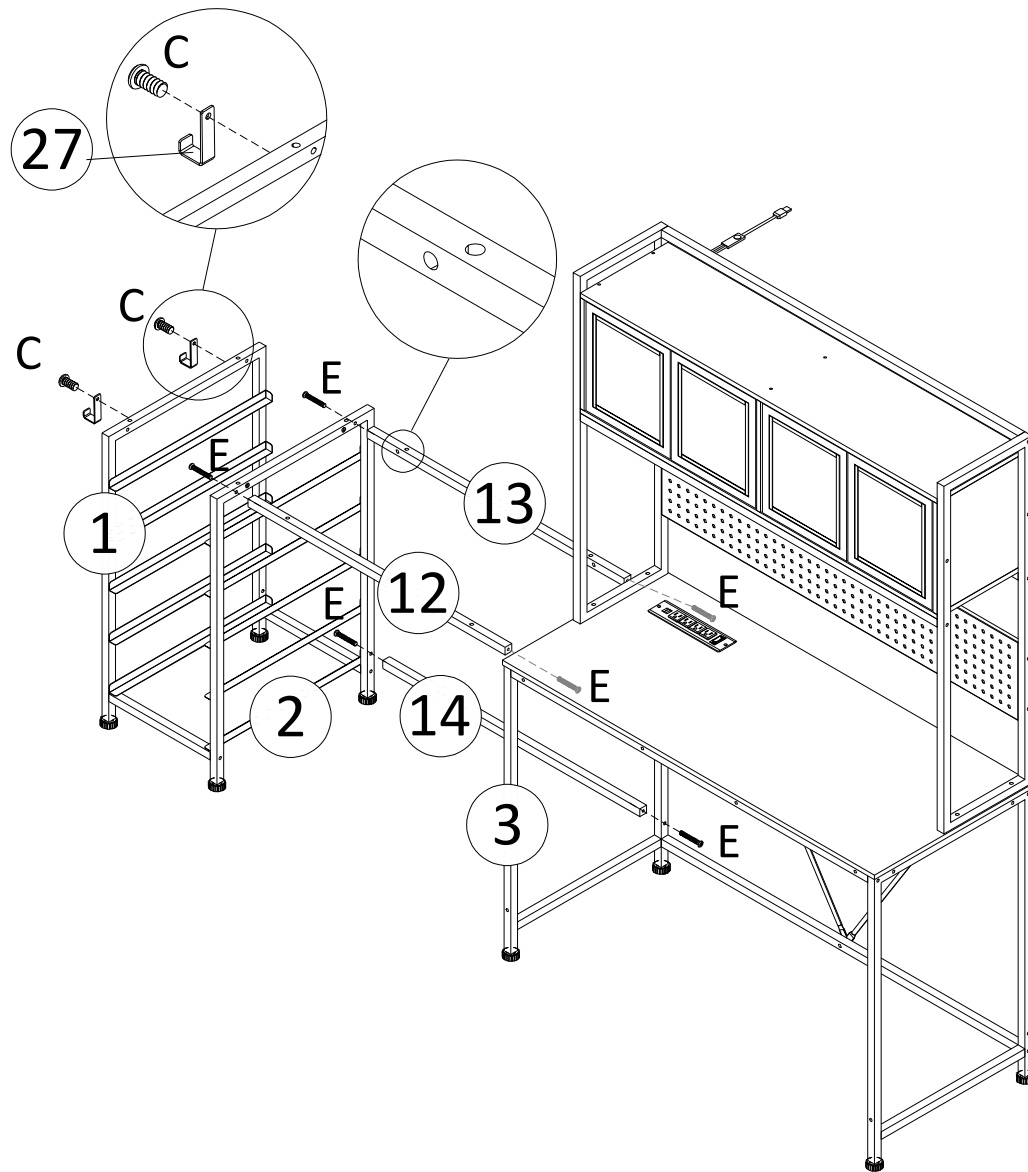
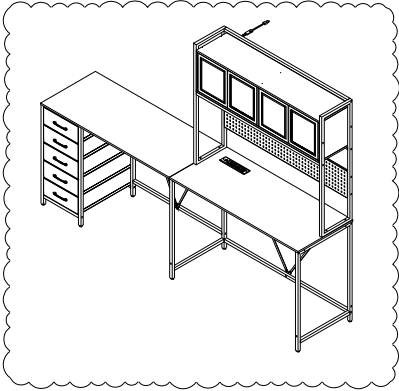


5 PCS

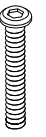




Option 2:



E M6x40



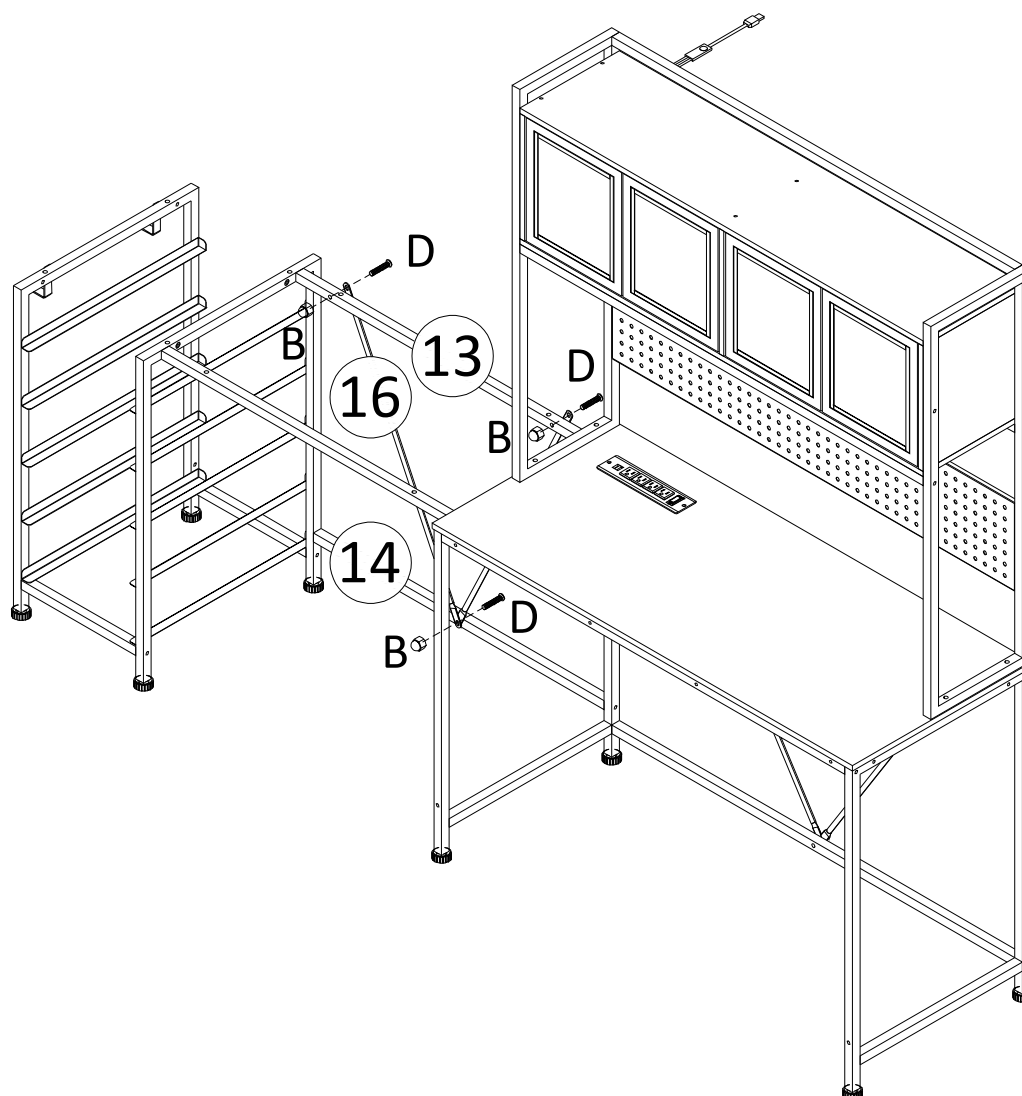
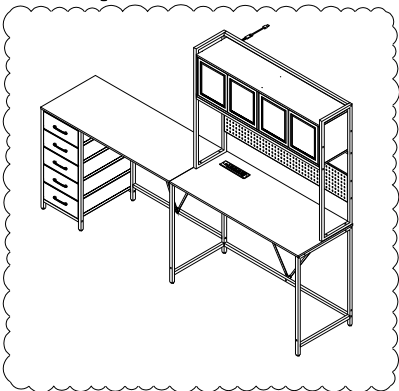
6 PCS

C M6x12

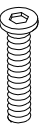


2 PCS

Option 2:



D M6x28



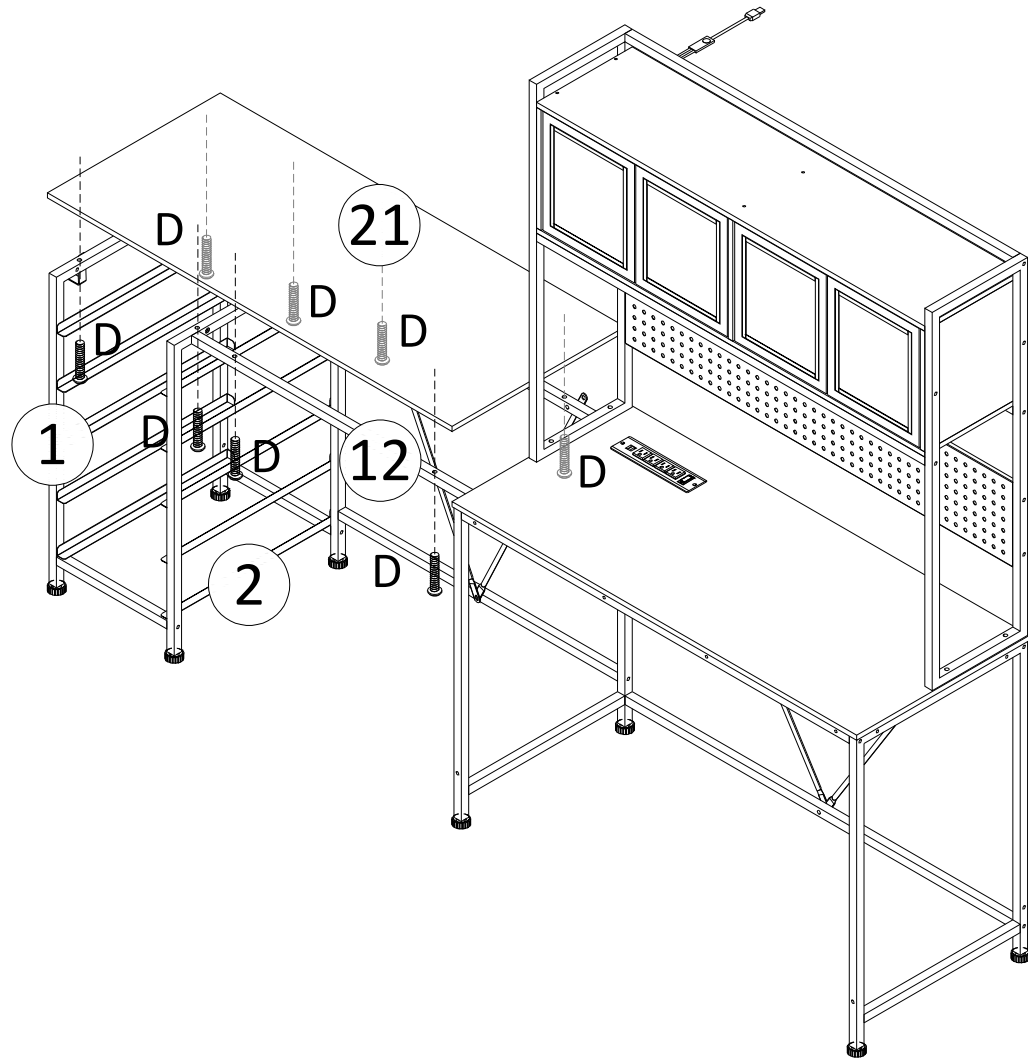
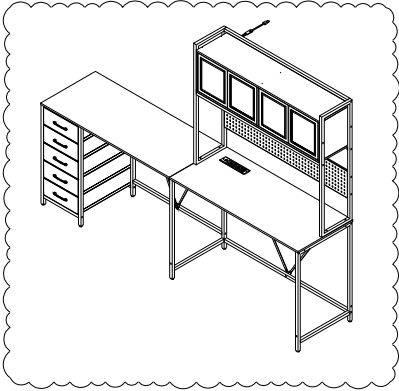
3 PCS

B M6xL12

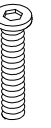


3 PCS

Option 2:

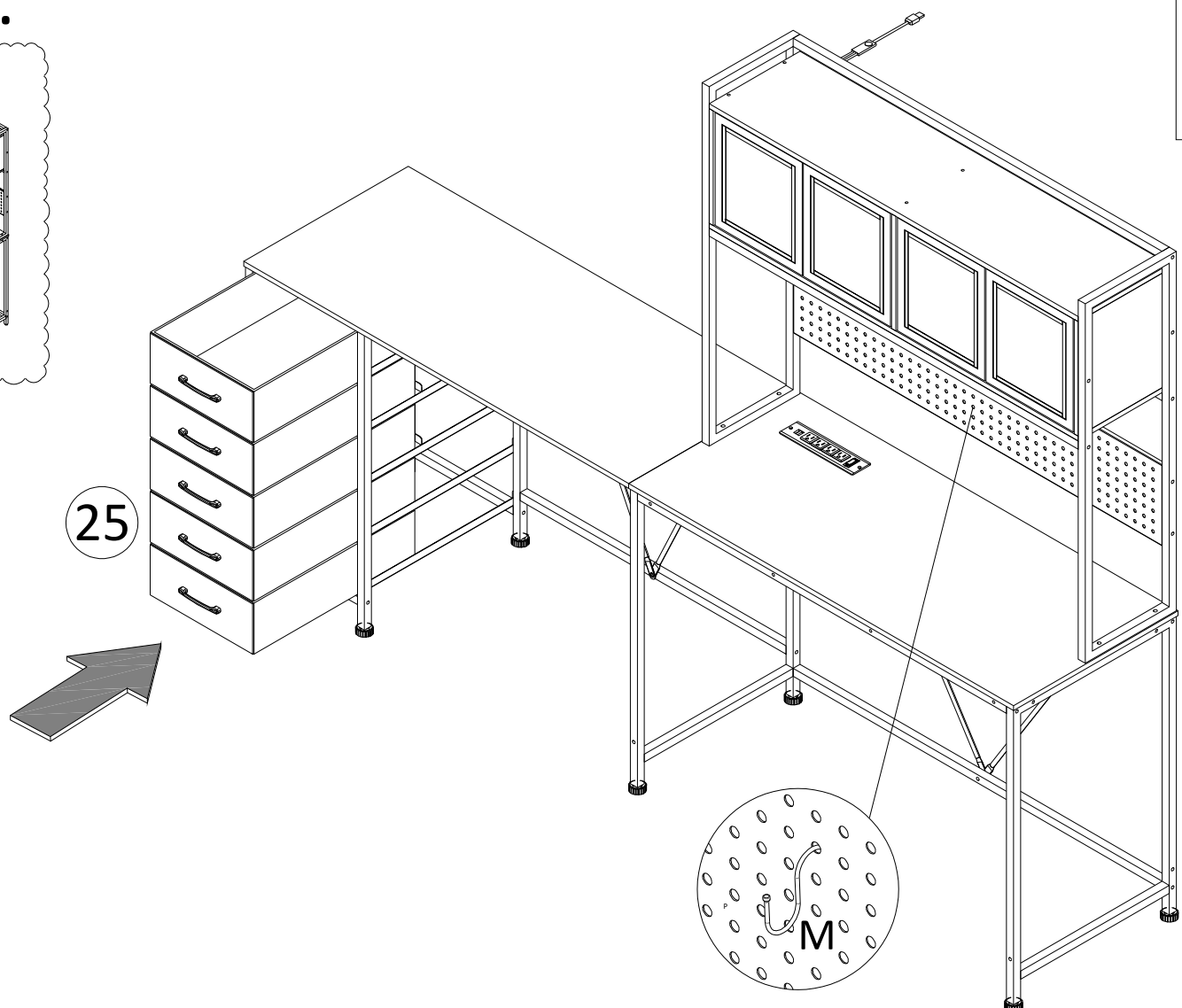
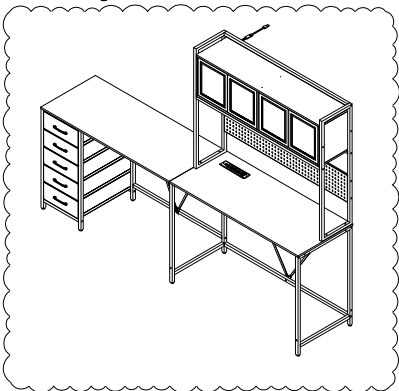


D M6x28



8 PCS

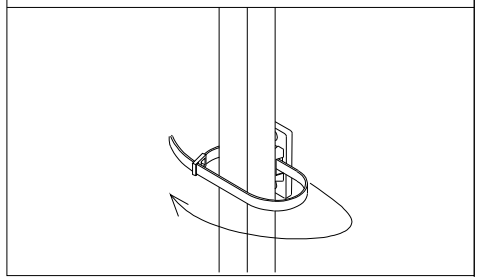
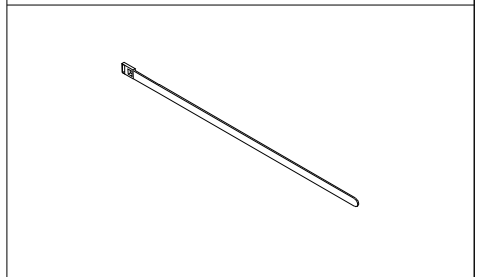
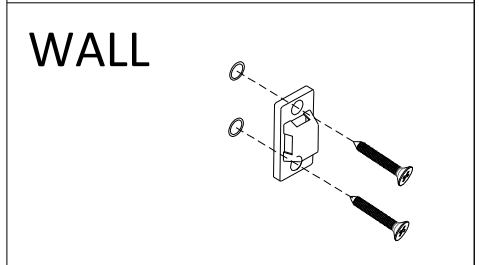
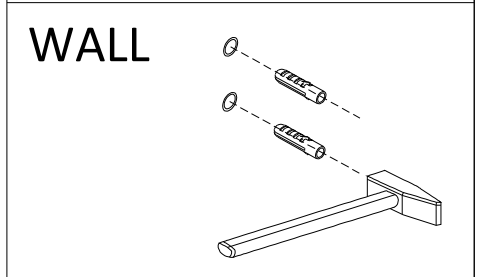
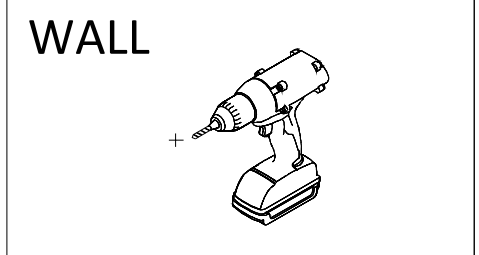
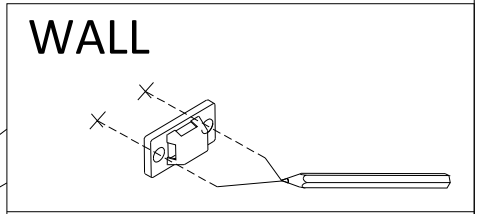
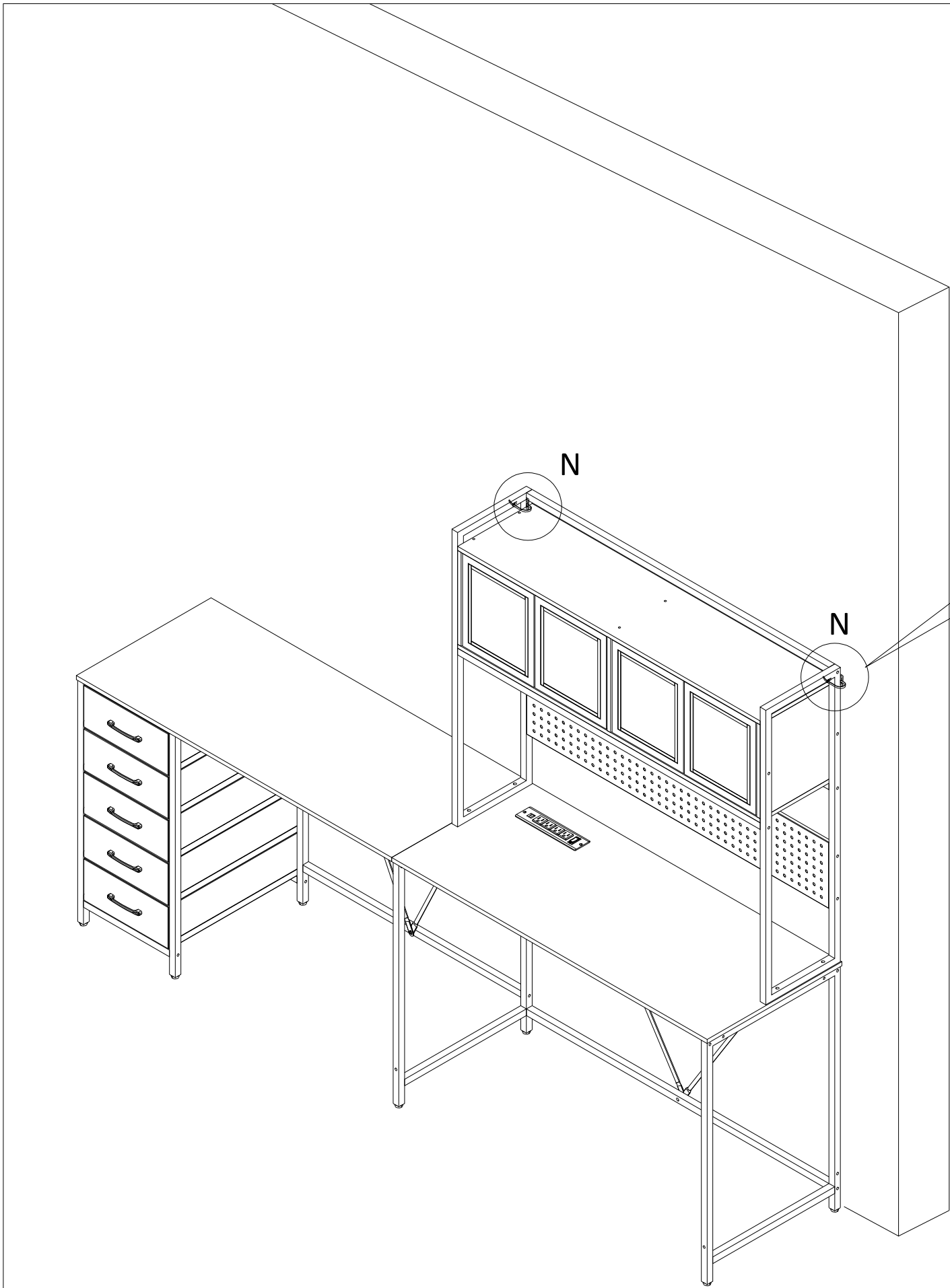
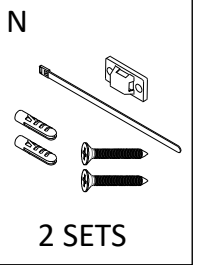
Option 2:



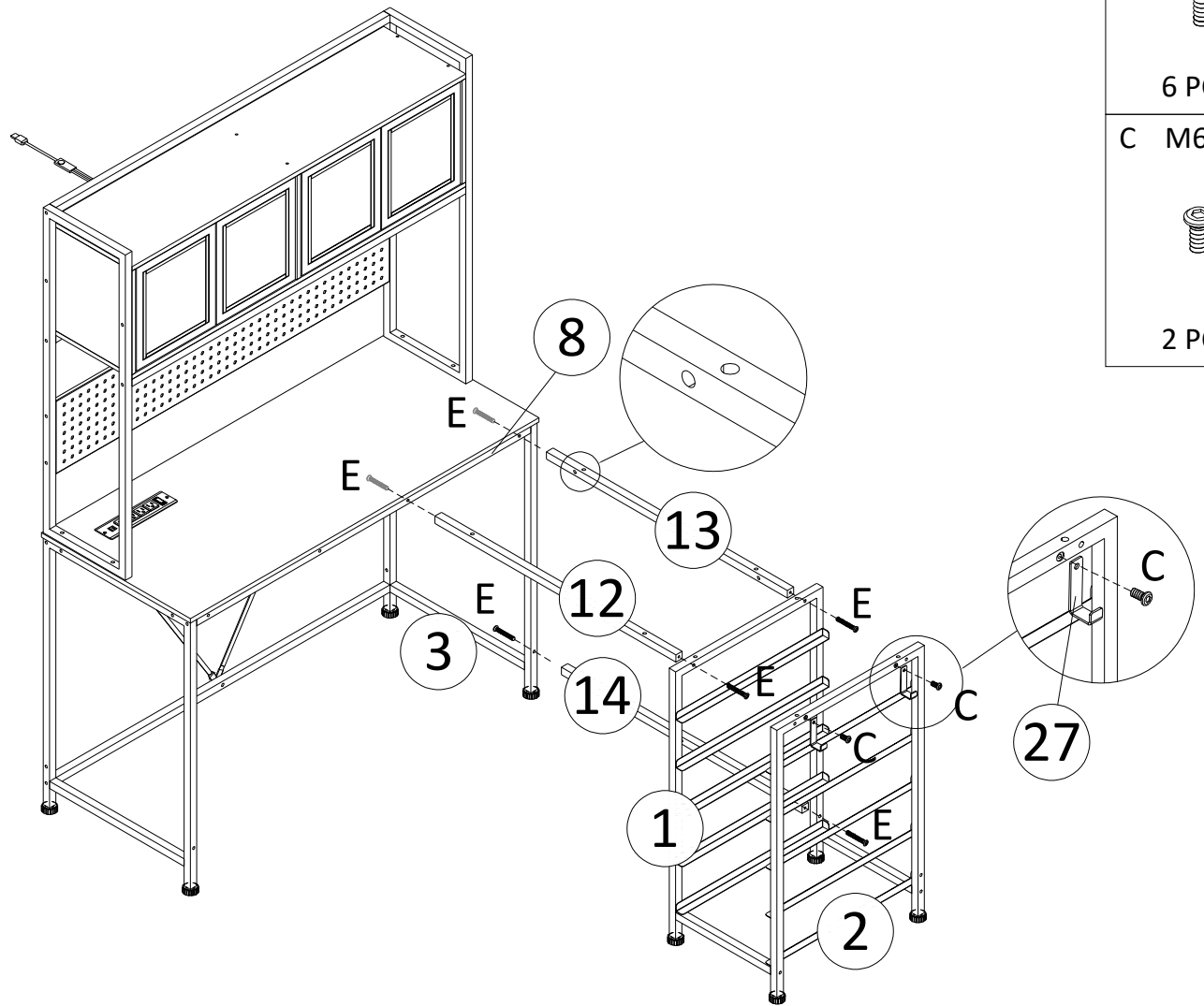
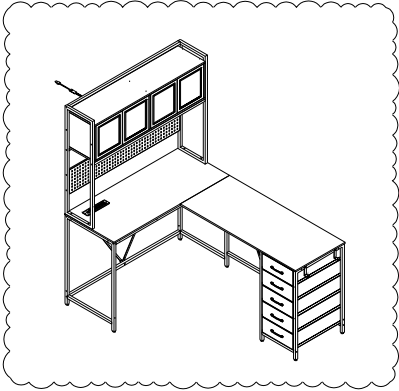
M 64x53



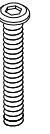
5 PCS



Option 3:



E M6x40



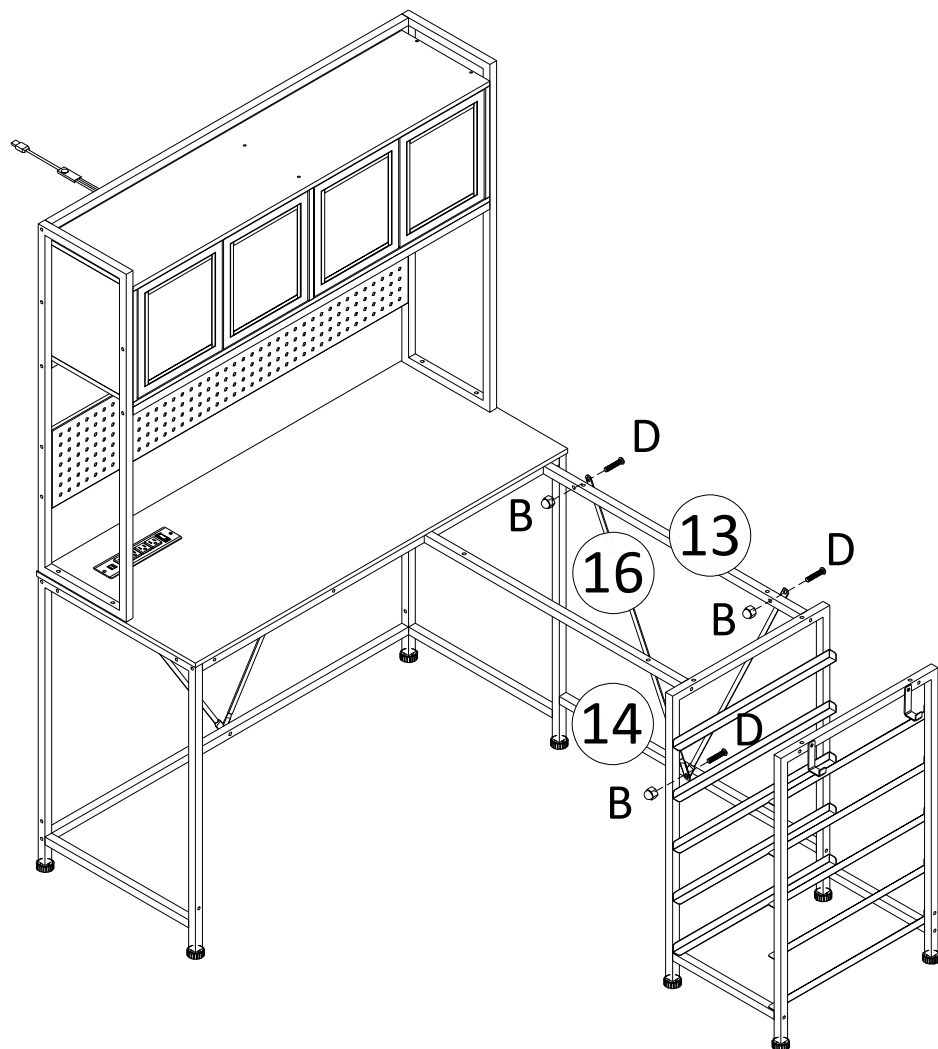
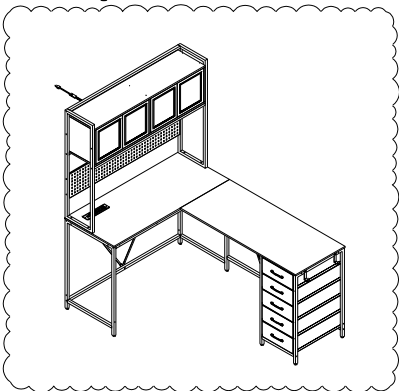
6 PCS

C M6x12

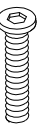


2 PCS

Option 3:



D M6x28



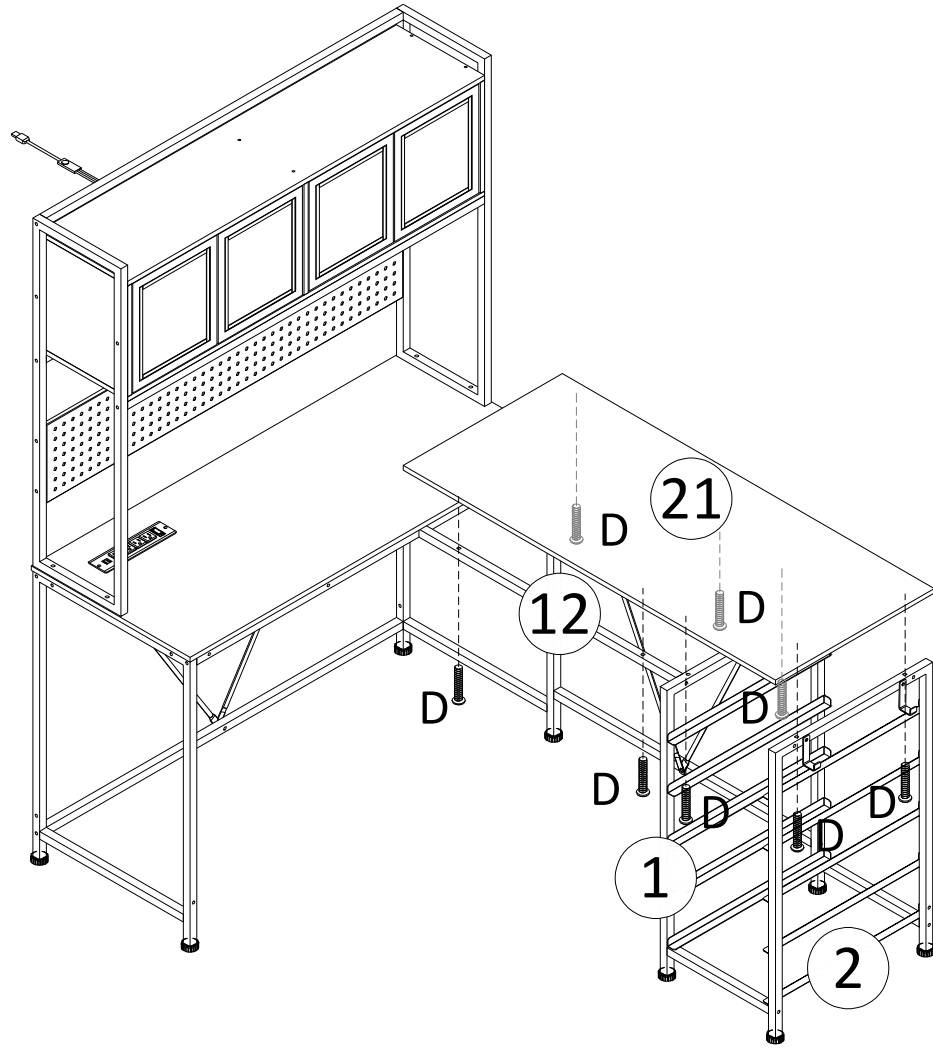
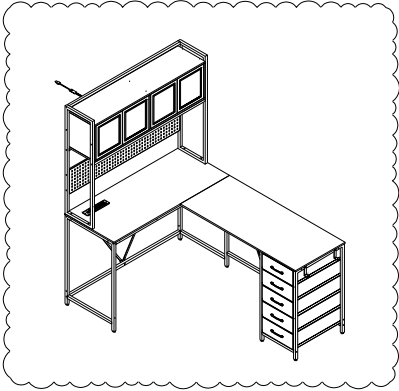
3 PCS

B M6xL12

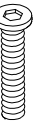


3 PCS

Option 3:

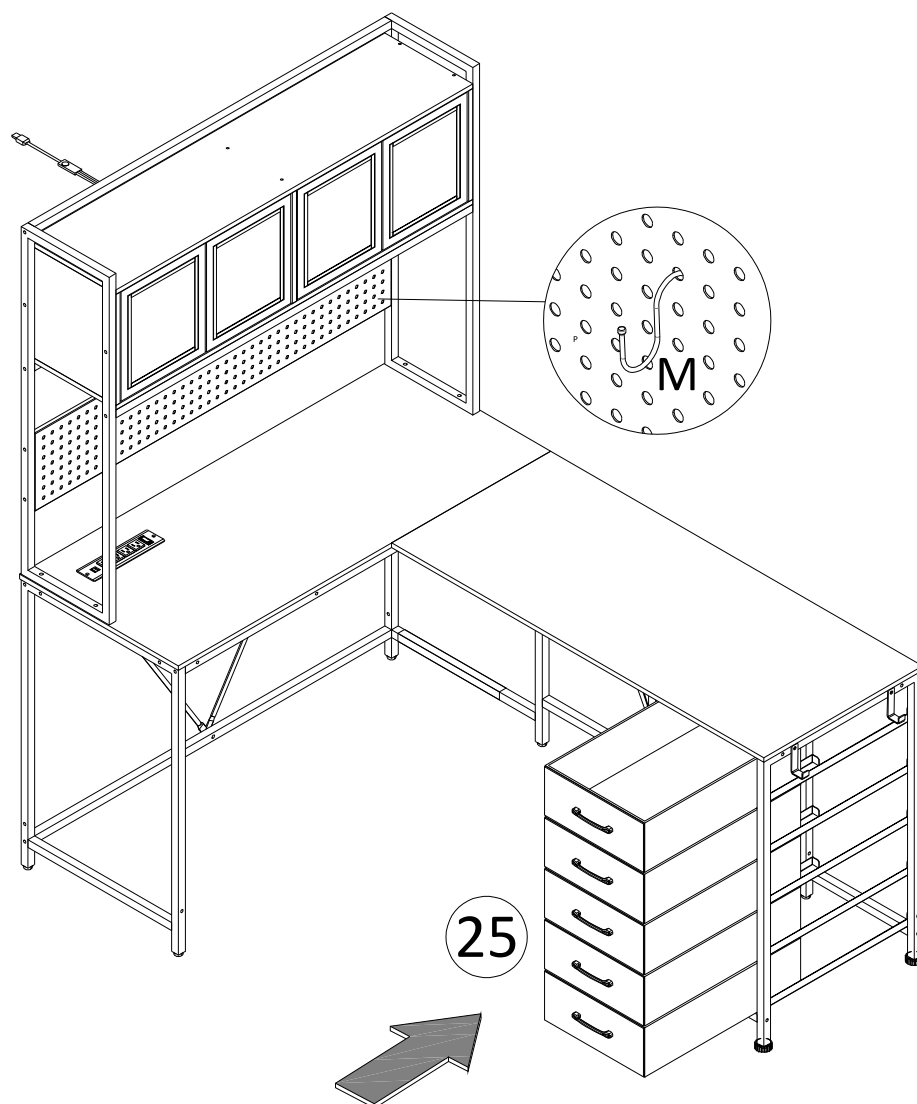
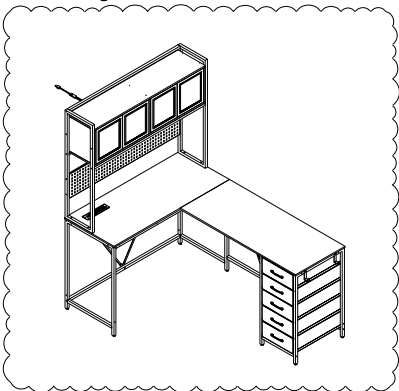


D M6x28



8 PCS

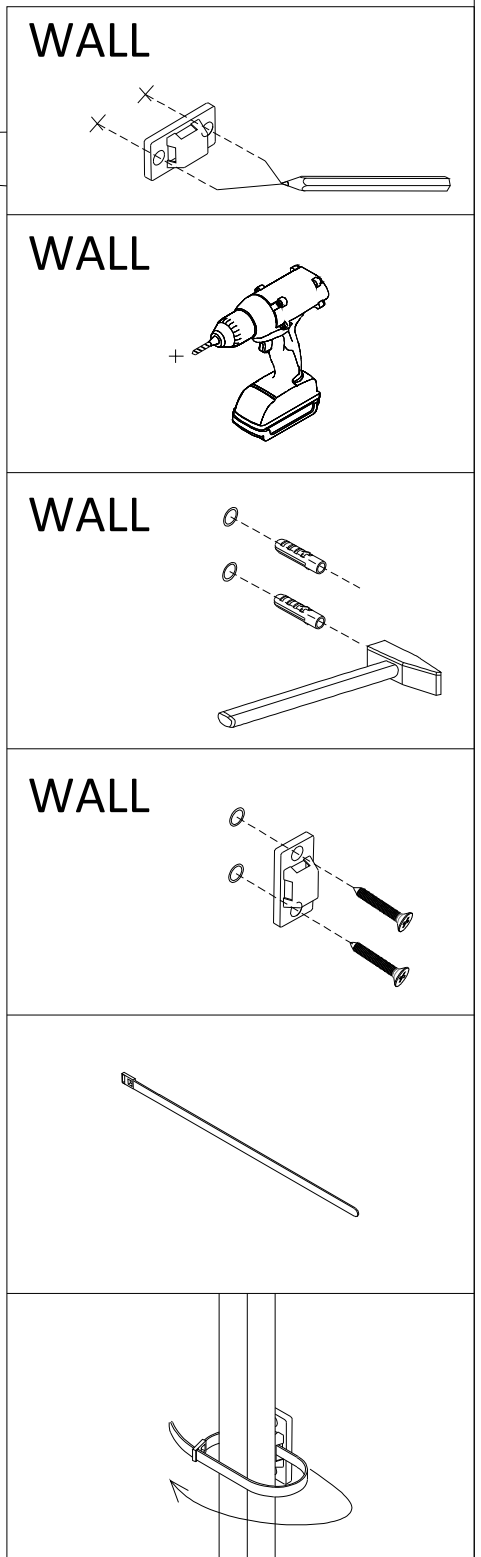
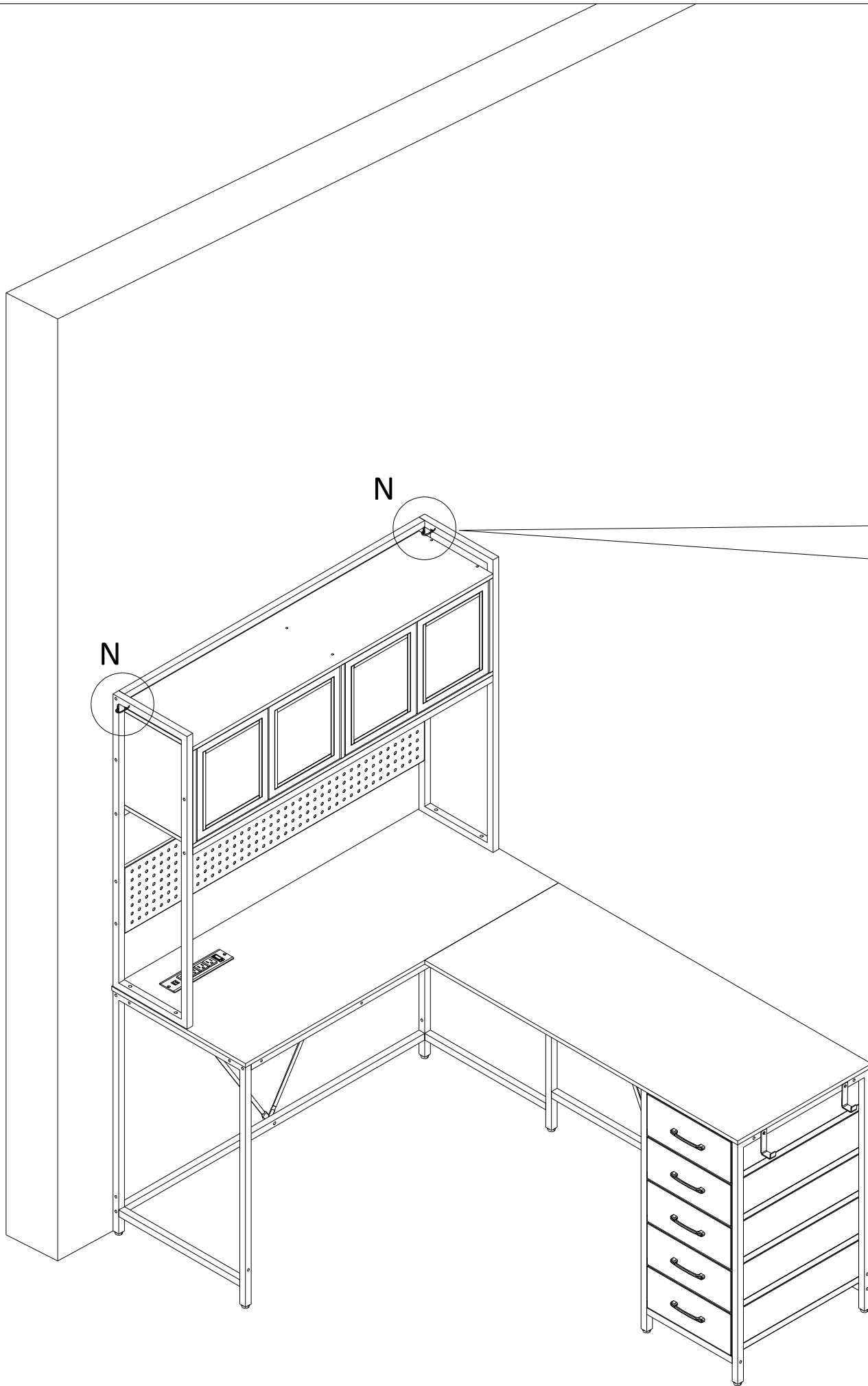
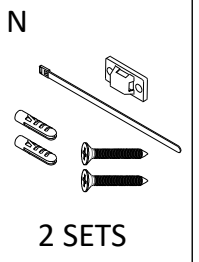
Option 3:



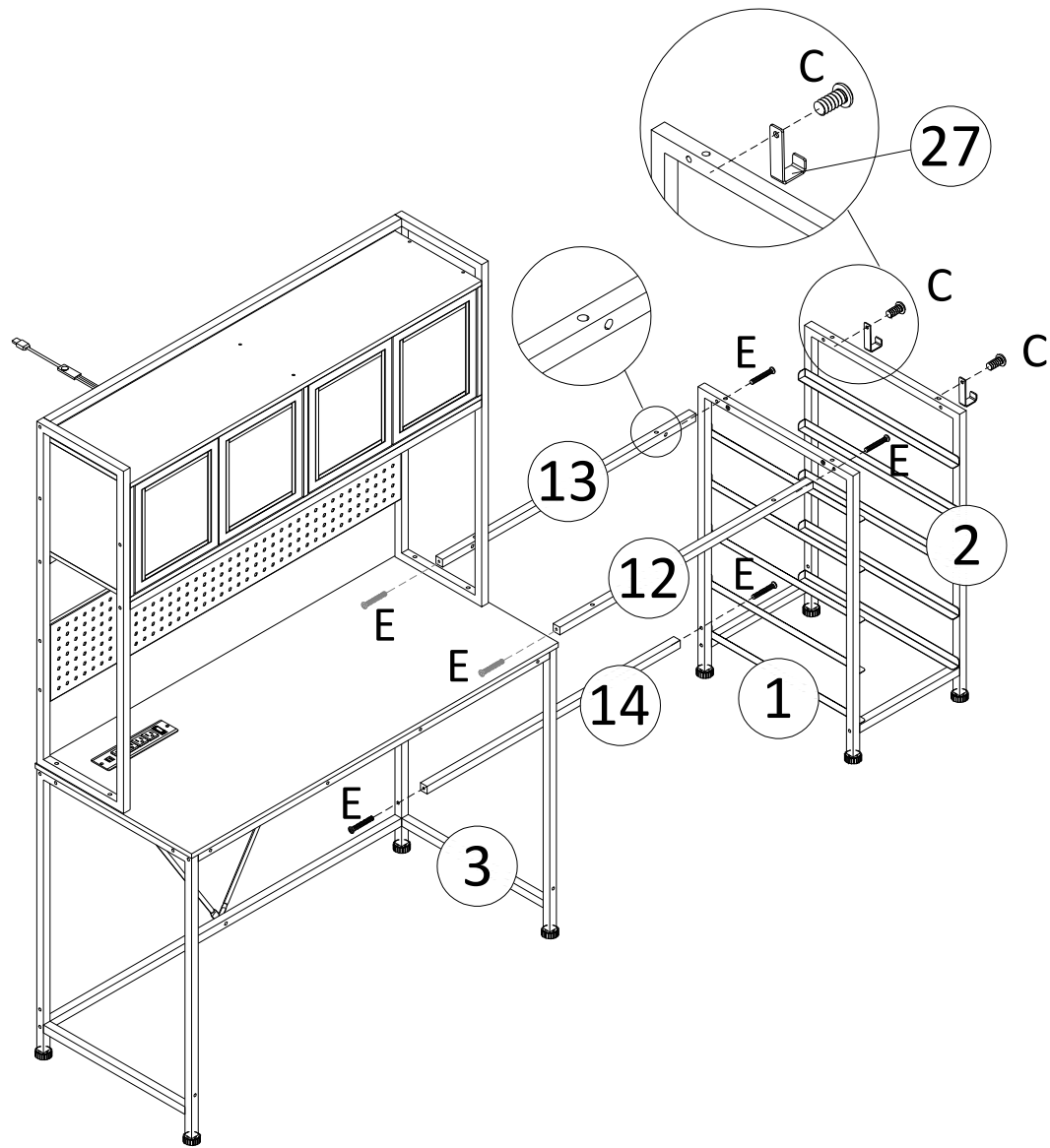
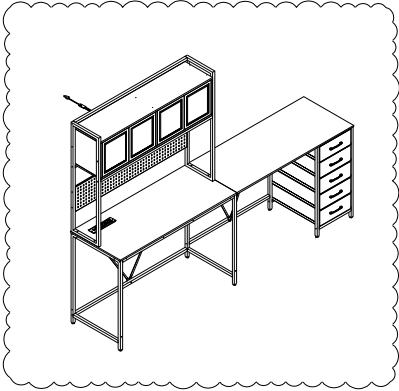
M 64x53



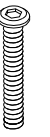
5 PCS



Option 4:



E M6x40



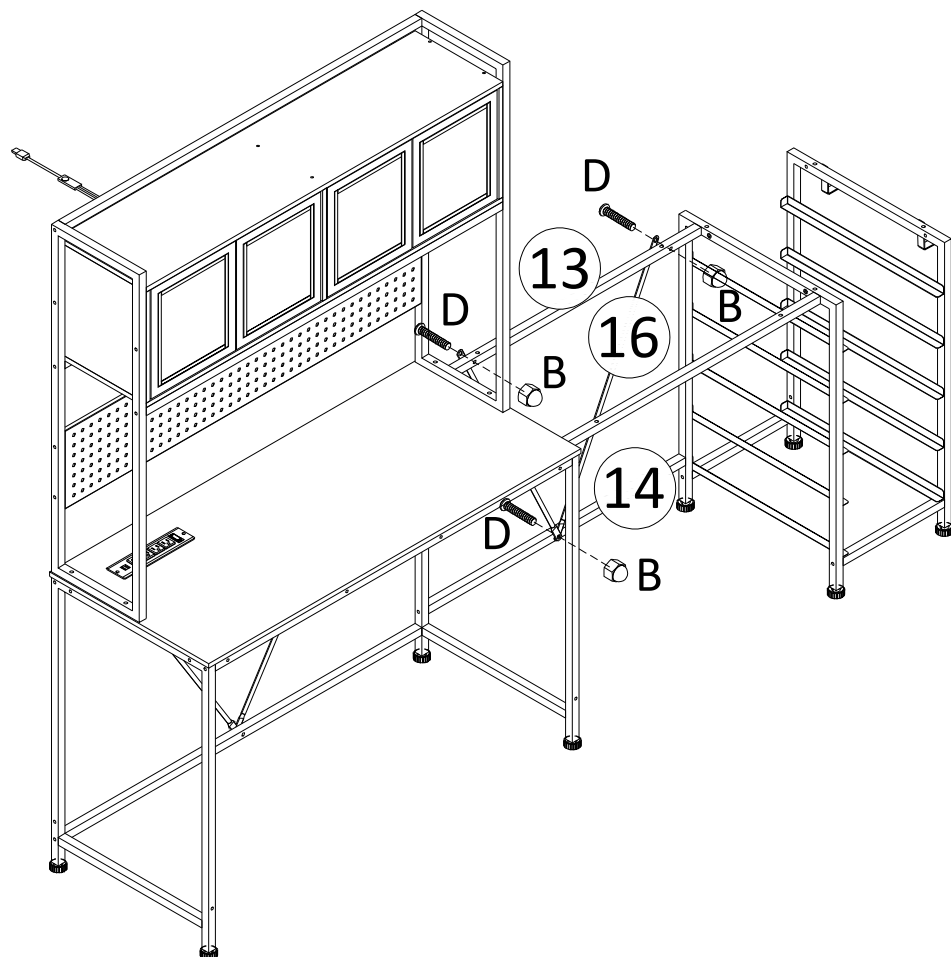
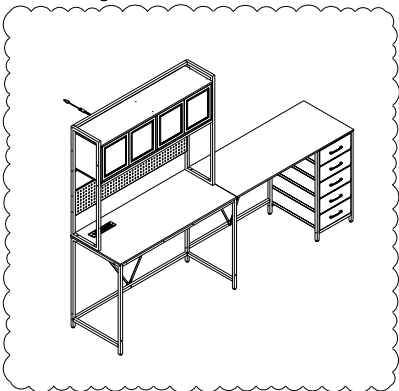
6 PCS

C M6x12

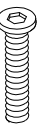


2 PCS

Option 4:



D M6x28



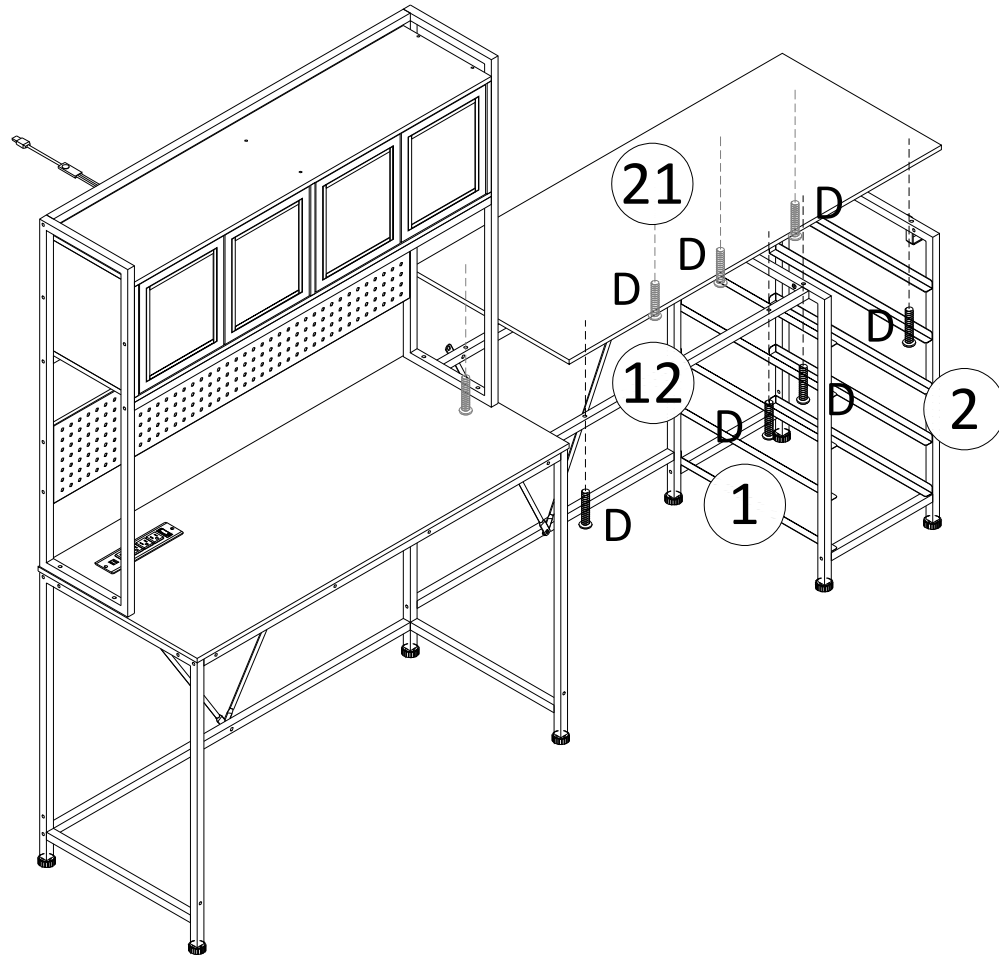
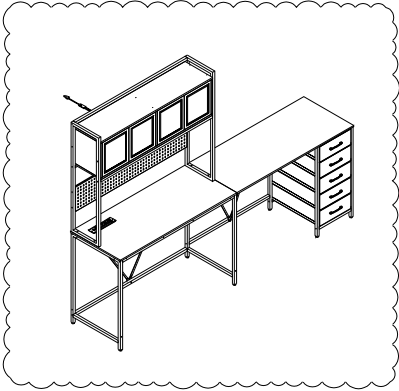
3 PCS

B M6xL12

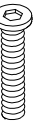


3 PCS

Option 4:

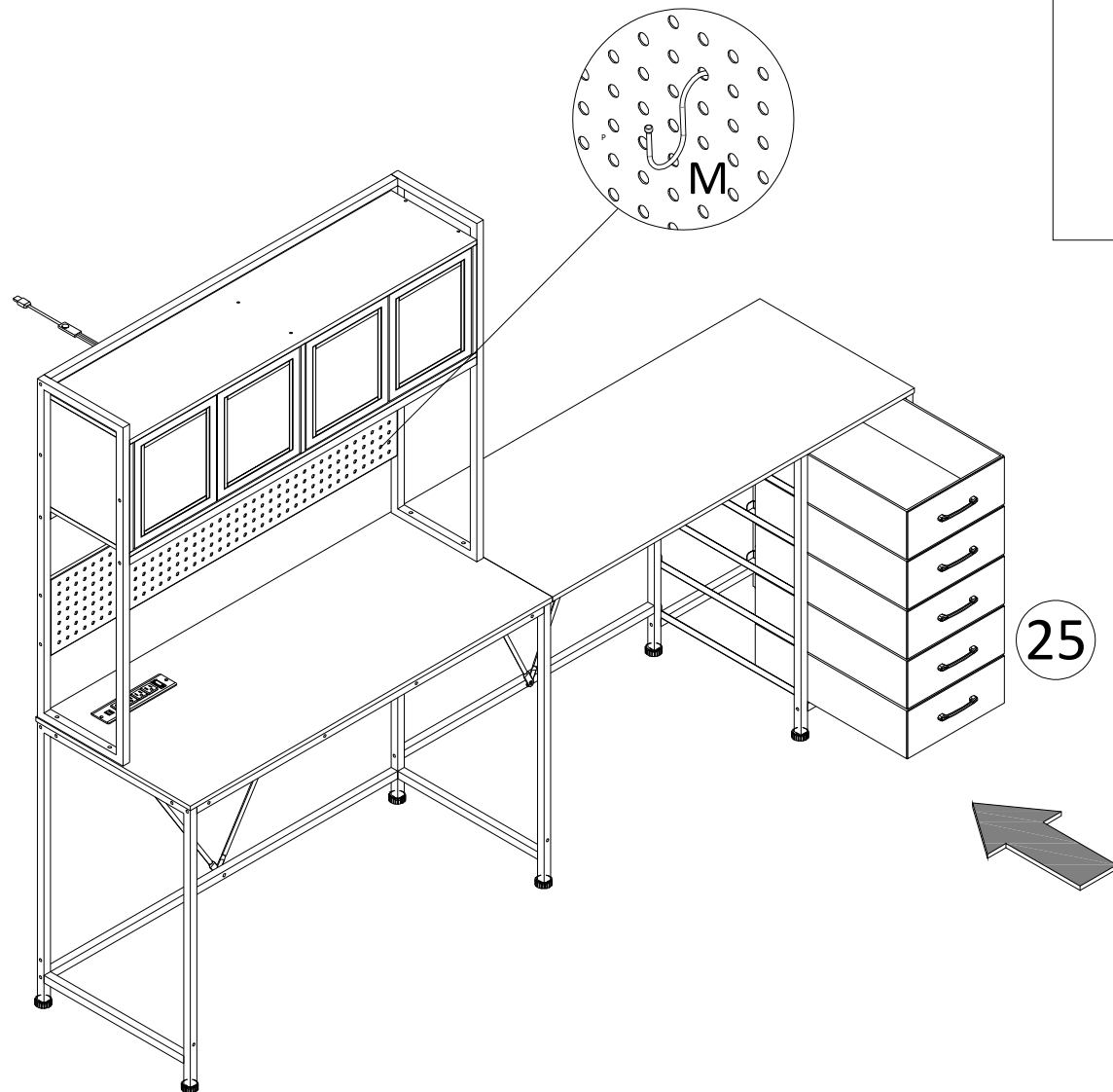
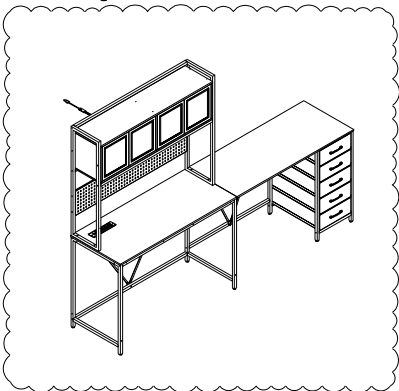


D M6x28



8 PCS

Option 4:



M 64x53



5 PCS

25

