

Desk Chair

The instruction booklet contains **IMPORTANT** safety information Please read and keep for future reference.



Estimated Time for Assembly

15:00



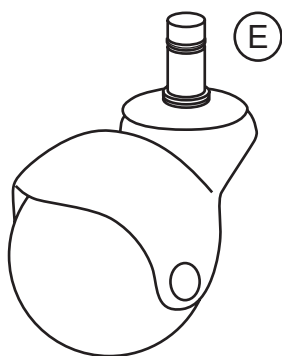
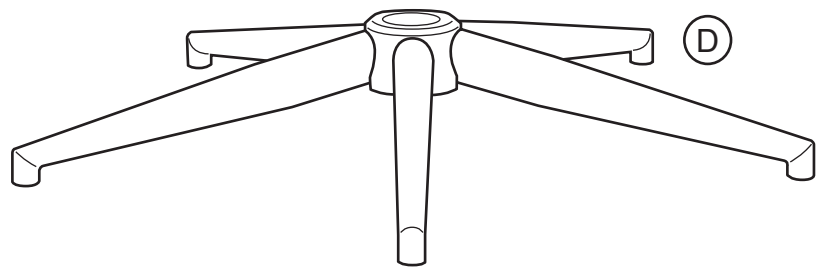
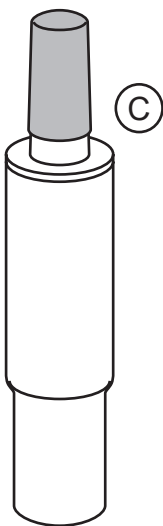
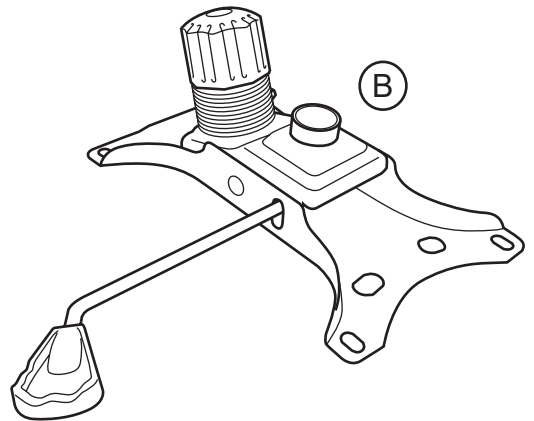
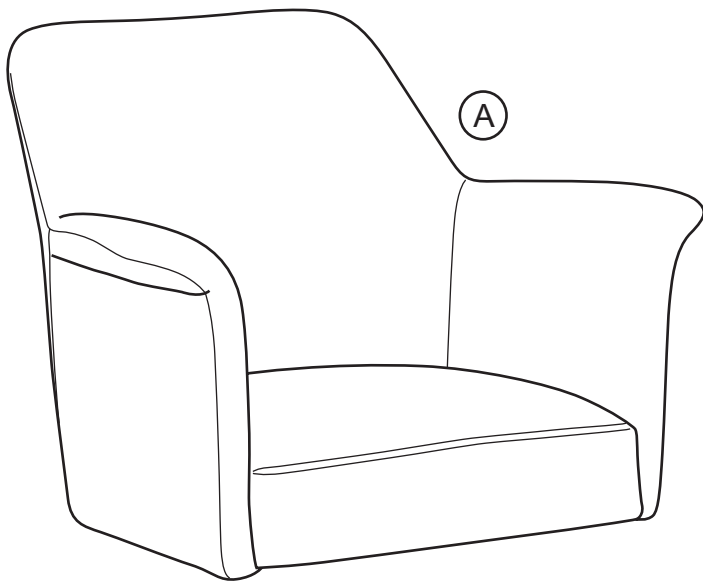
Weight Limitation

300 lb

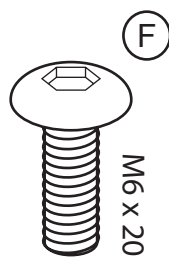
Tools Needed

All necessary tools are included in the package.

PACKAGE CONTENT

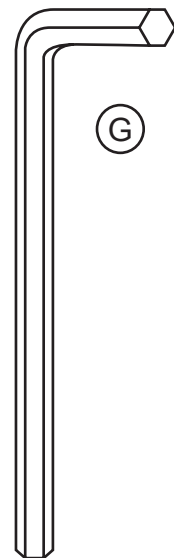


5x

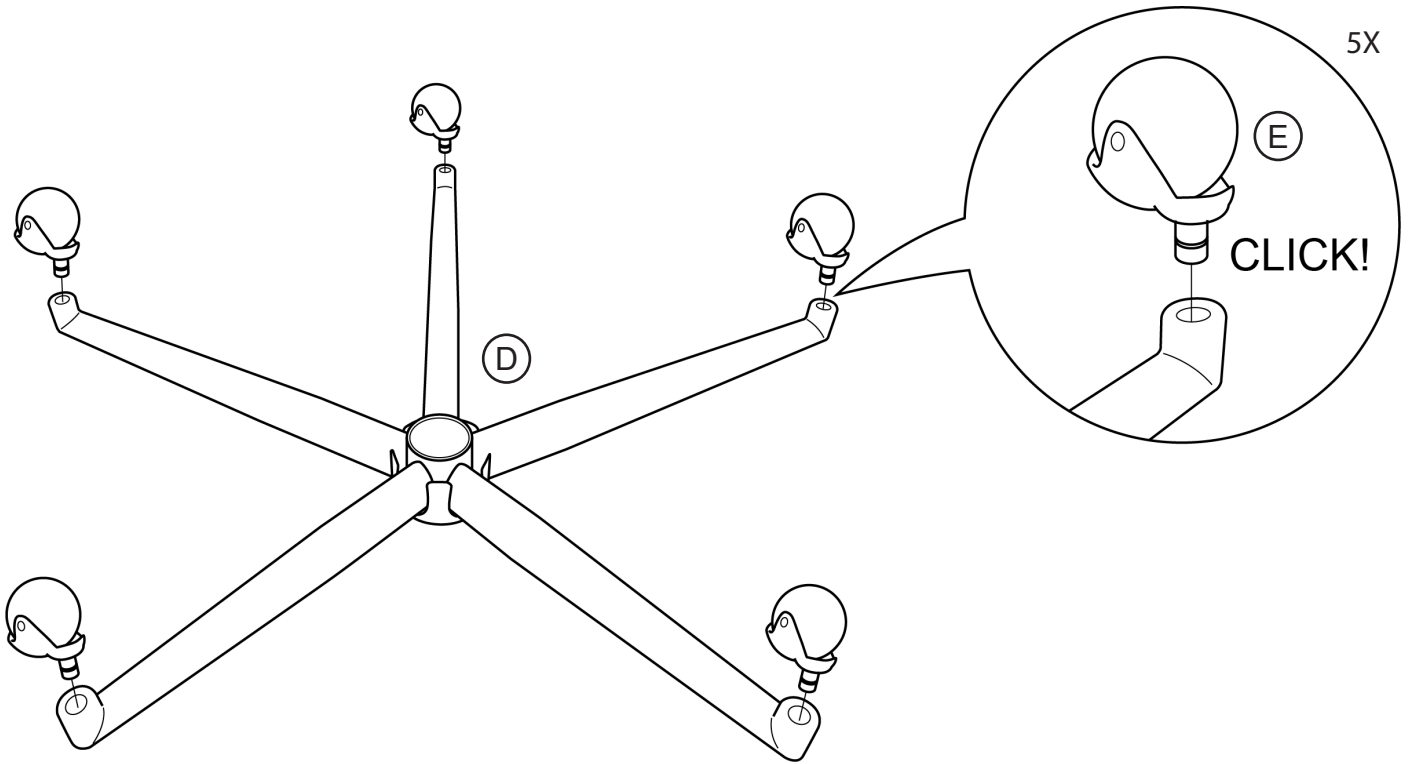


4x
+ 1x spare

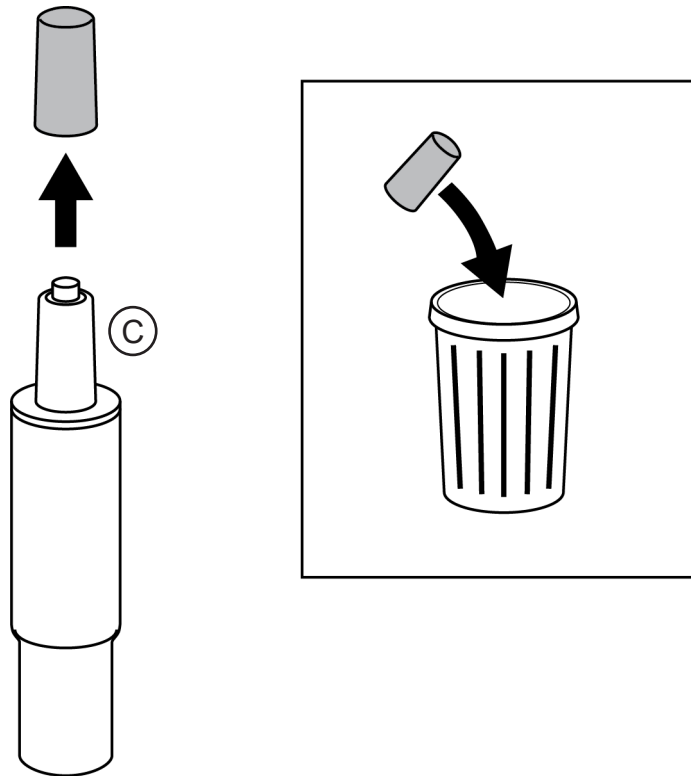
M6 x 20



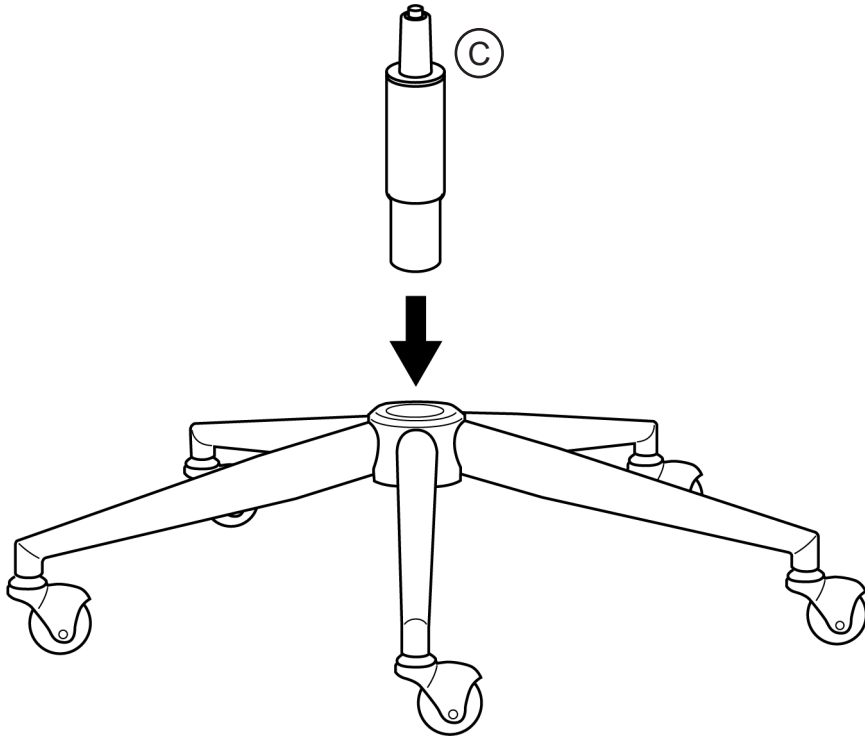
1



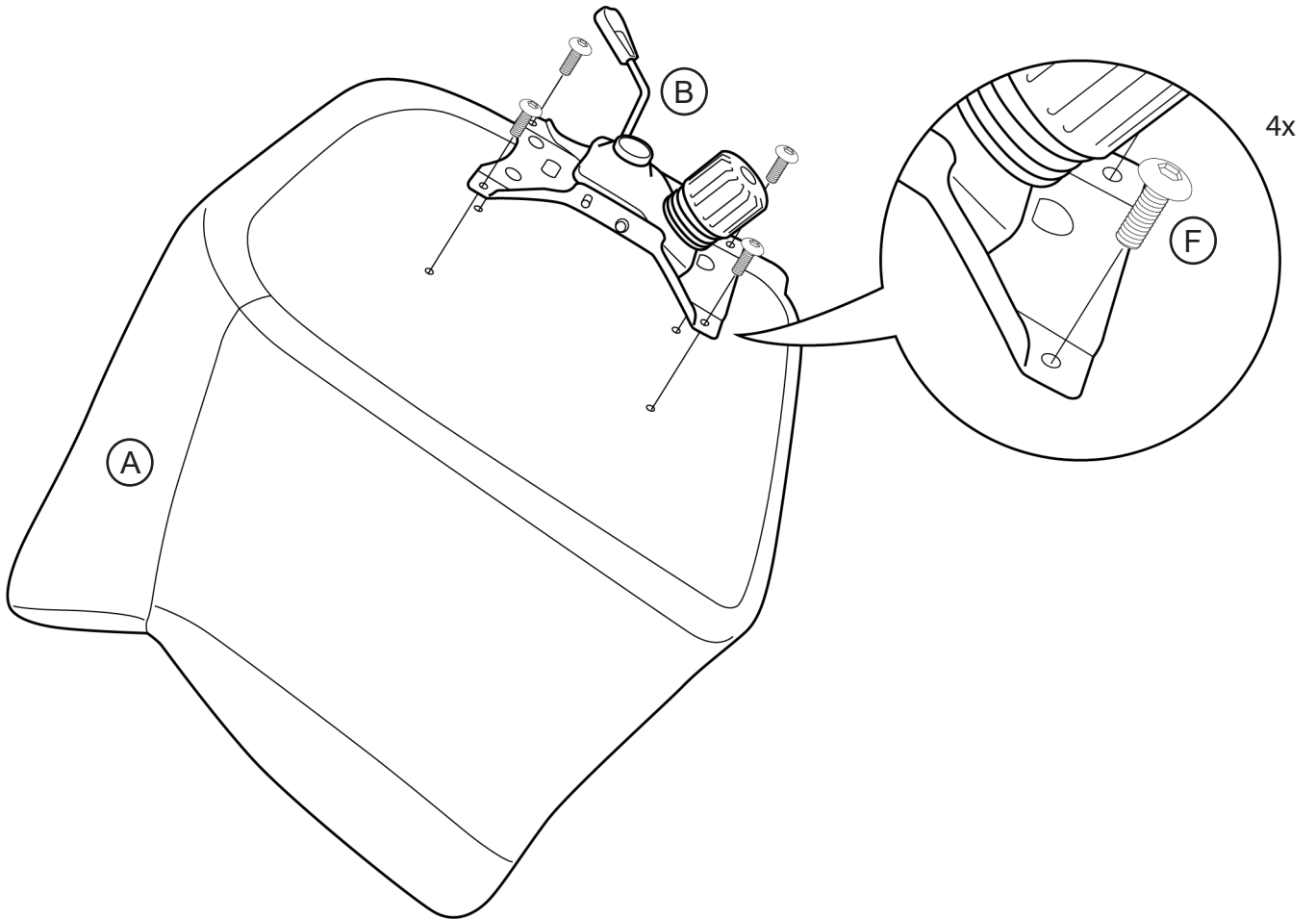
2



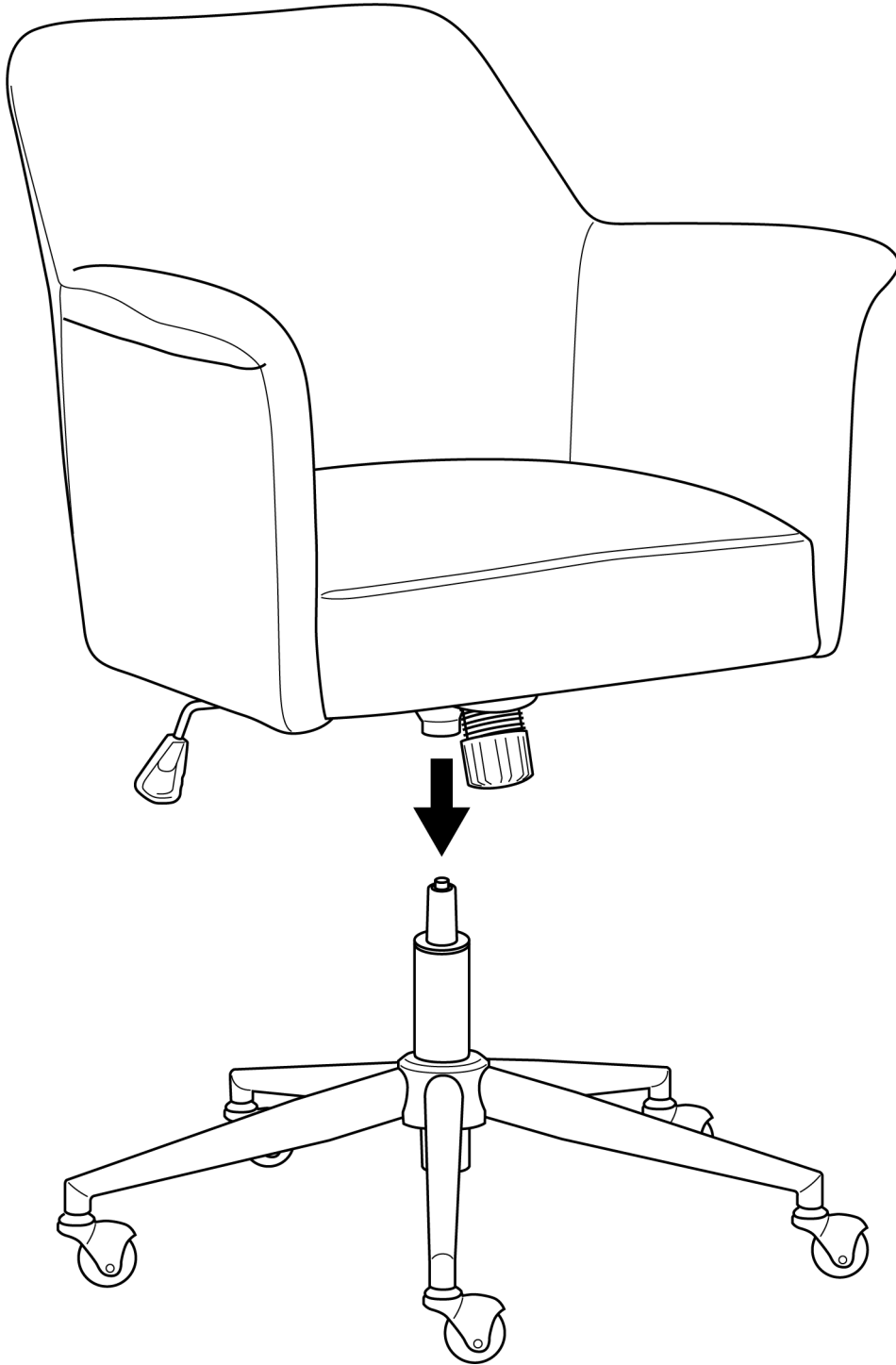
3



4



5



FINISH!

FURNITURE CARE AND MAINTENANCE

Thank you for your purchase. We want your item to last as long as possible. To ensure the product gives you years of service, please refer to this care and maintenance guide.



MAINTENANCE

- Tighten all bolts and screws again within the first 2 weeks of assembly.
- Check the tightness of all bolts and/or parts every month, tighten them if necessary.



CLEANING

- Clean the furniture surface with a lightly dampened cloth or soft brush.
- Regularly clean the cloth surface with a vacuum cleaner.
- Dry the surface immediately after cleaning.

⚠ DO NOT use bleach or alcohol detergent to clean the surface.

⚠ WARNING

Manufacturer and seller expressly disclaim any and all liability for personal injury, property damage or losses, whether direct, indirect, or incidental, resulting from the incorrect attachment, improper use, inadequate maintenance, unapproved modification or neglect of this product.

Warranty

Our products come with a 1 year warranty from the date of delivery.

In any event that the product arrives damaged or missing parts,
we are more than happy to provide you with replacement part(s).

Register your product on our website to enjoy limited lifetime warranty!!

Easy Return

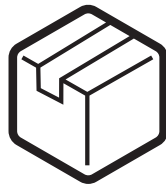
We work hard to make sure order arrives safe and secure, but rest assured
we will take care of it if it is not up to standard. If you need replacement parts,

Contact us

we will send you replacements with no hassle.



Contact Us



Replacement



You

You don't have to worry about re-packaging / schedule pick-up.