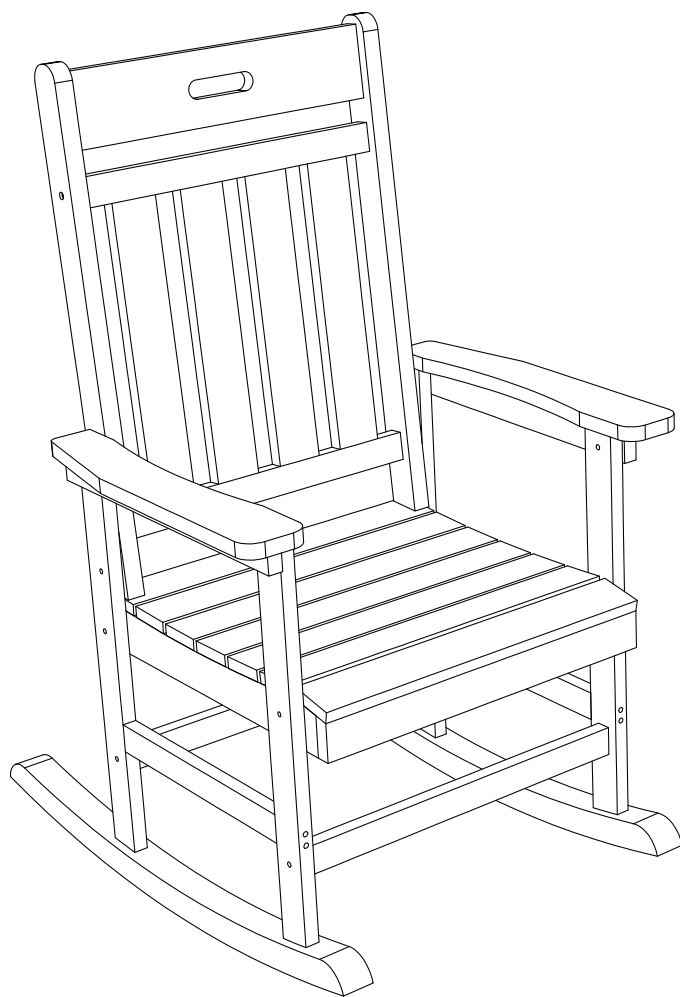


# ASSEMBLY INSTRUCTIONS

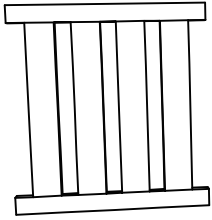

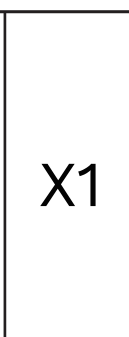

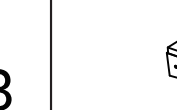
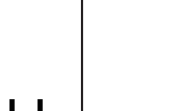
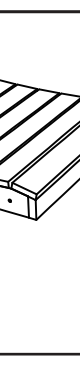

---

## ■ 1-Piece

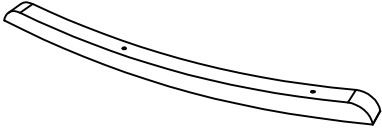
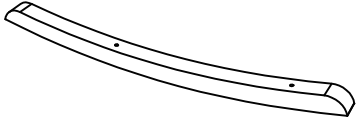
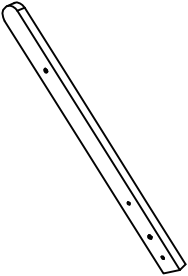





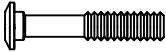

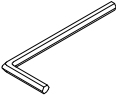

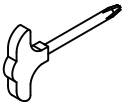
Outdoor Rocking Chair



# Parts

A		X1	B		X1
C		X1	D		X1
E		X2	F		X2
G		X2	H		X2

# Parts

I		X1	J		X1
K		X2	L		X1
AA	 M5*80 Screw	X8	BB	 M6*45 Bolt	X6
CC	 M6*55 Bolt	X4	DD	 M6*55 Bolt	X6
EE	 M6*65 Bolt	X2	FF	 M6*85 Bolt	X4
					
					

# Assembly steps

Step 1



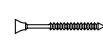
E (X2)



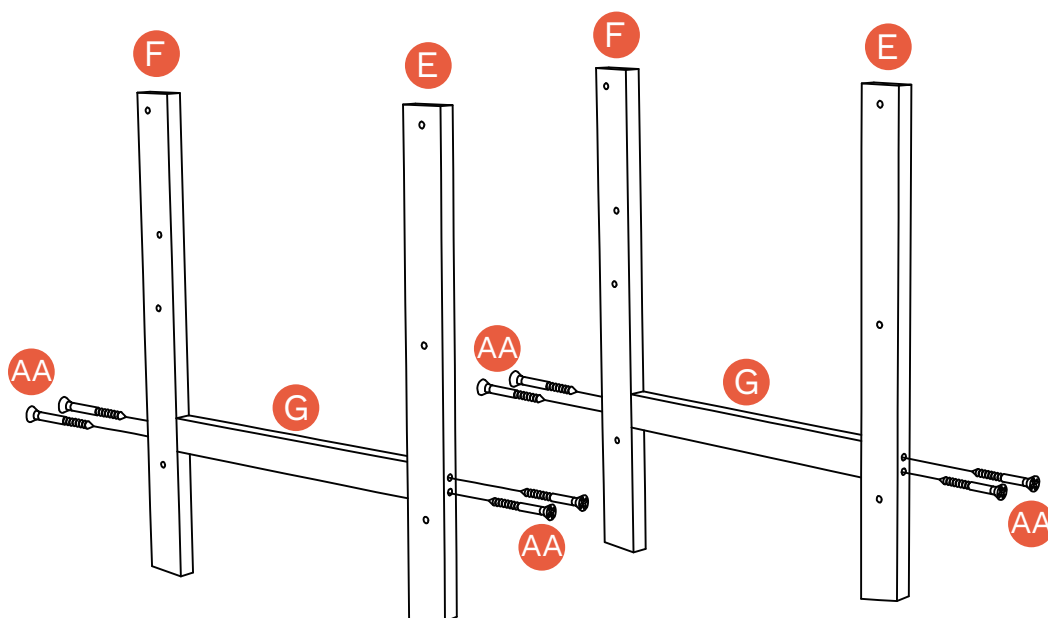
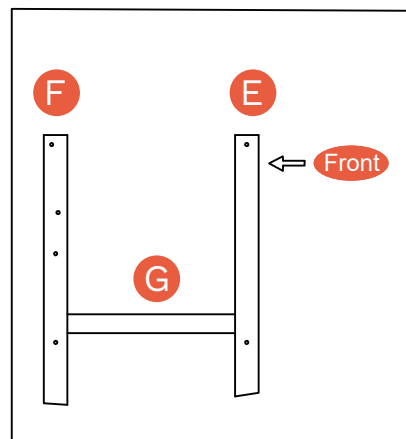
F (X2)



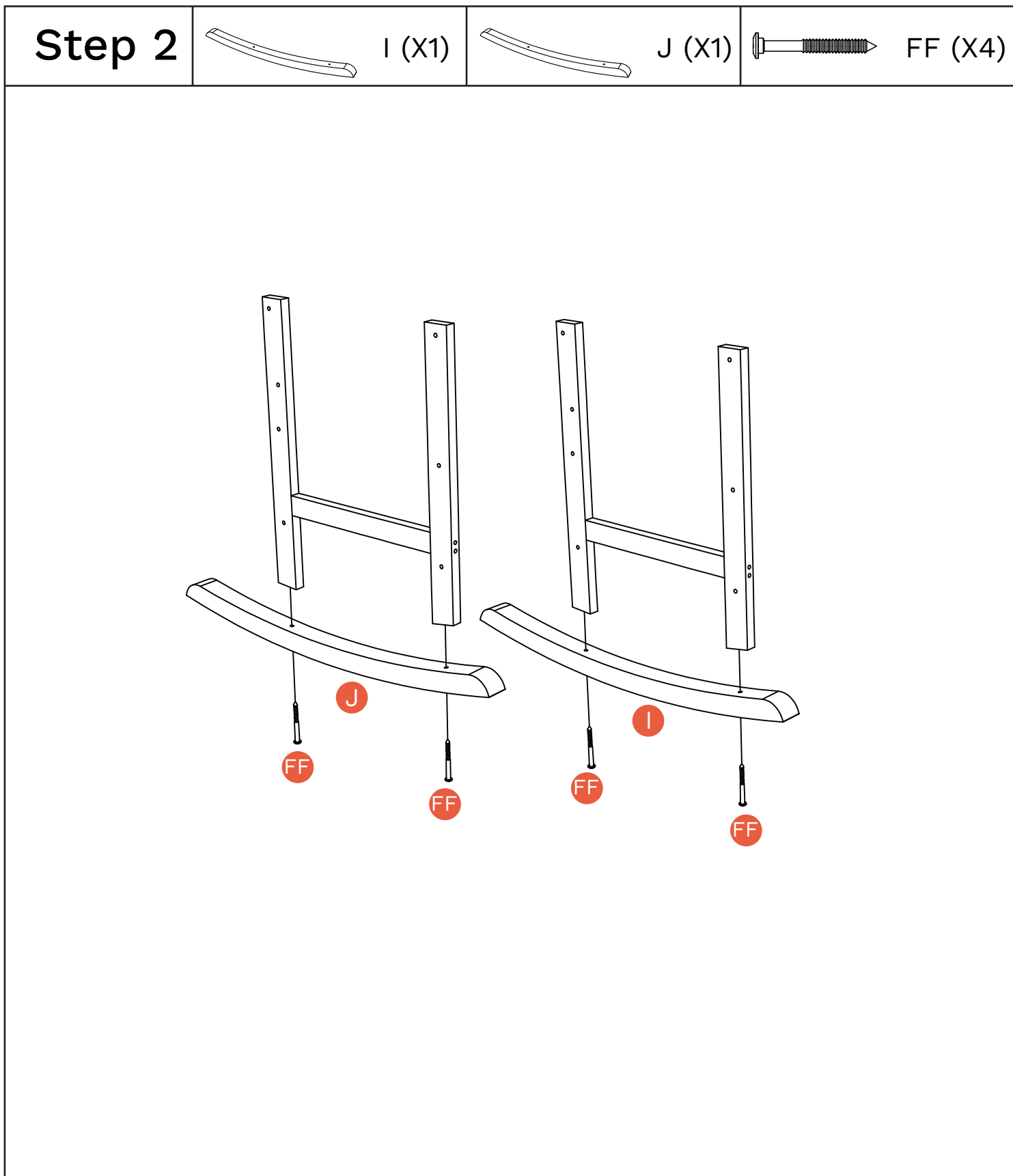
G (X2)



AA (X8)

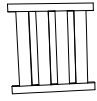


# Assembly steps

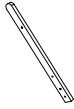


# Assembly steps

Step 3



A (X1)



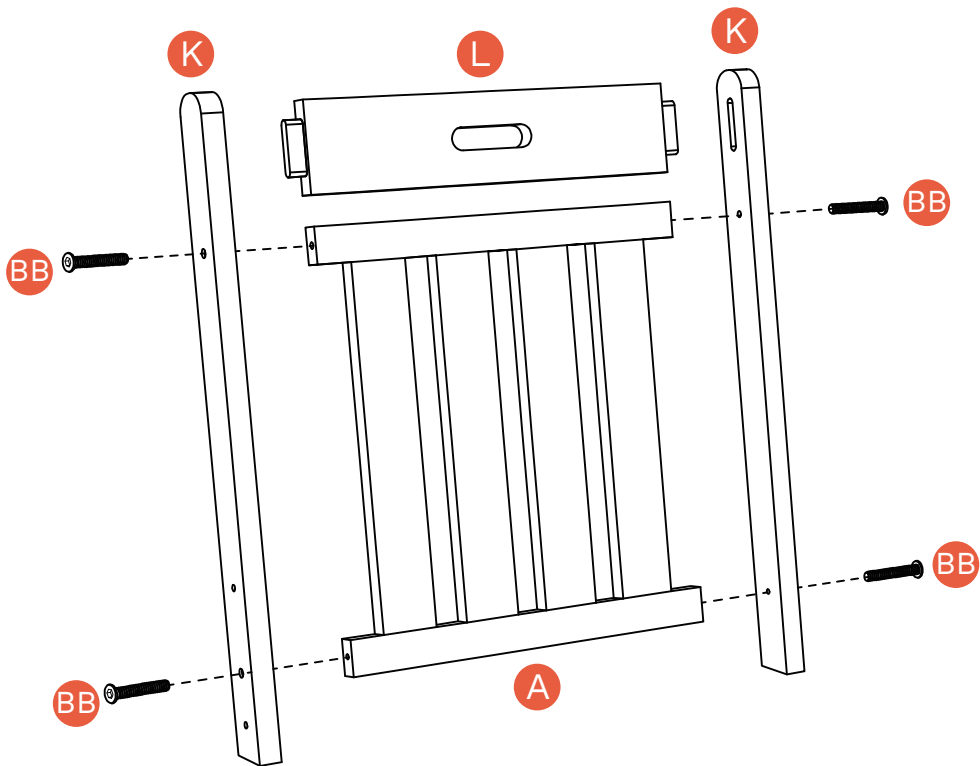
K (X2)



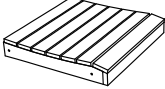

L (X1)

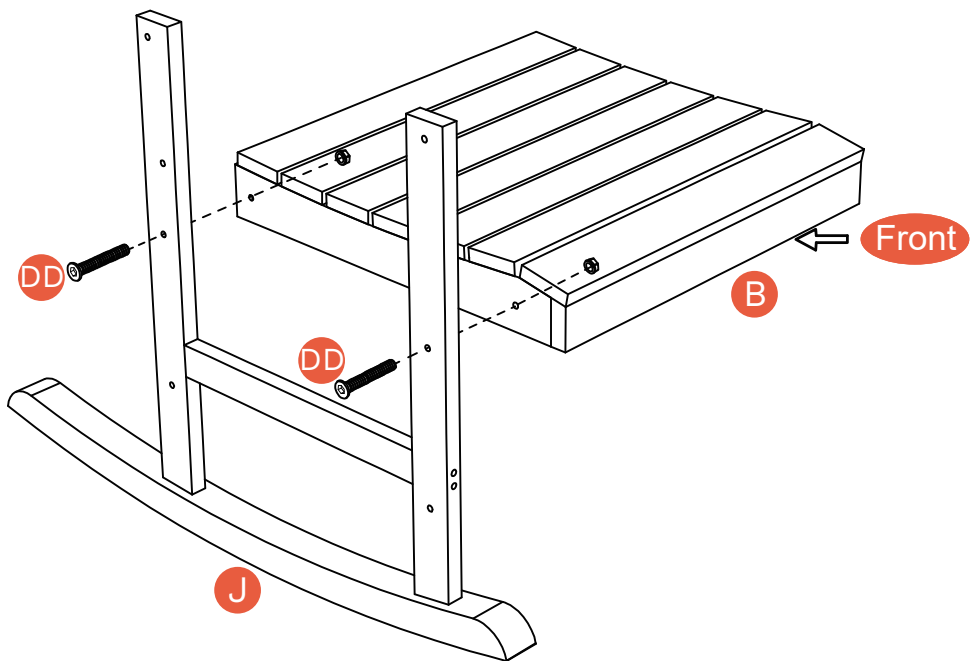


BB (X4)



# Assembly steps

Step 4	 B (X1)	 DD (X2)
--------	--	---

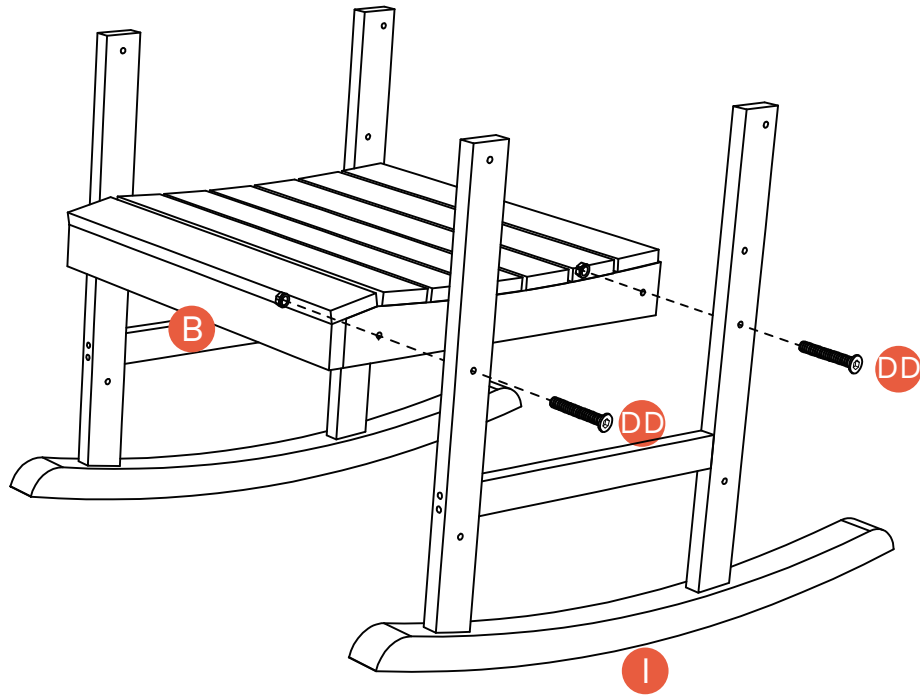


# Assembly steps

Step 5



DD (X2)



# Assembly steps

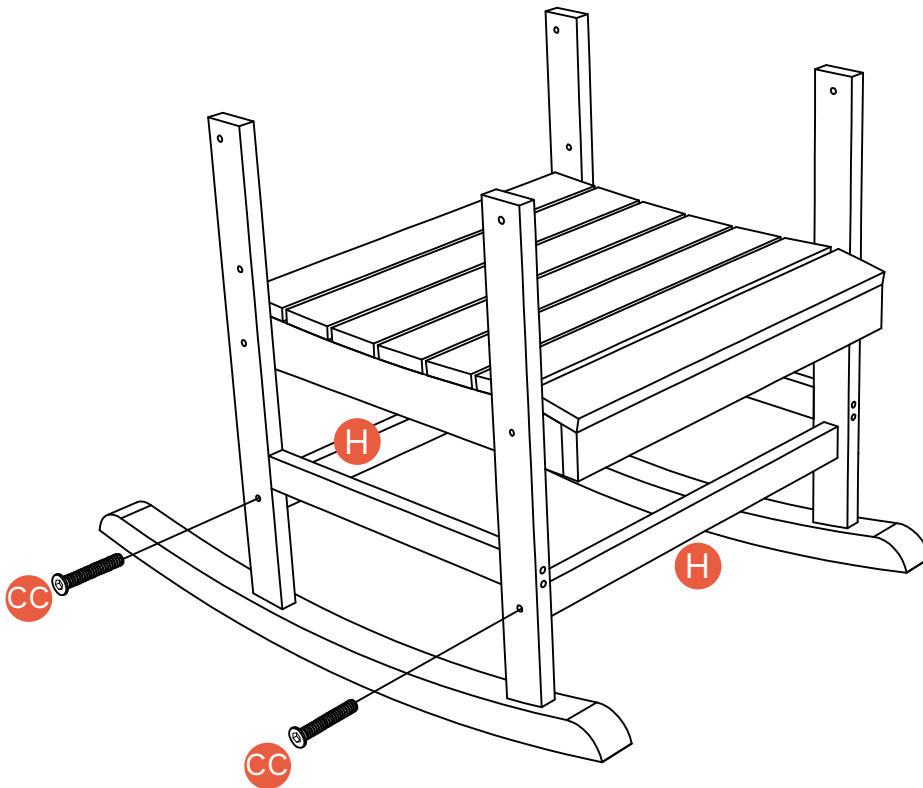
Step 6



H (x2)



CC (x2)

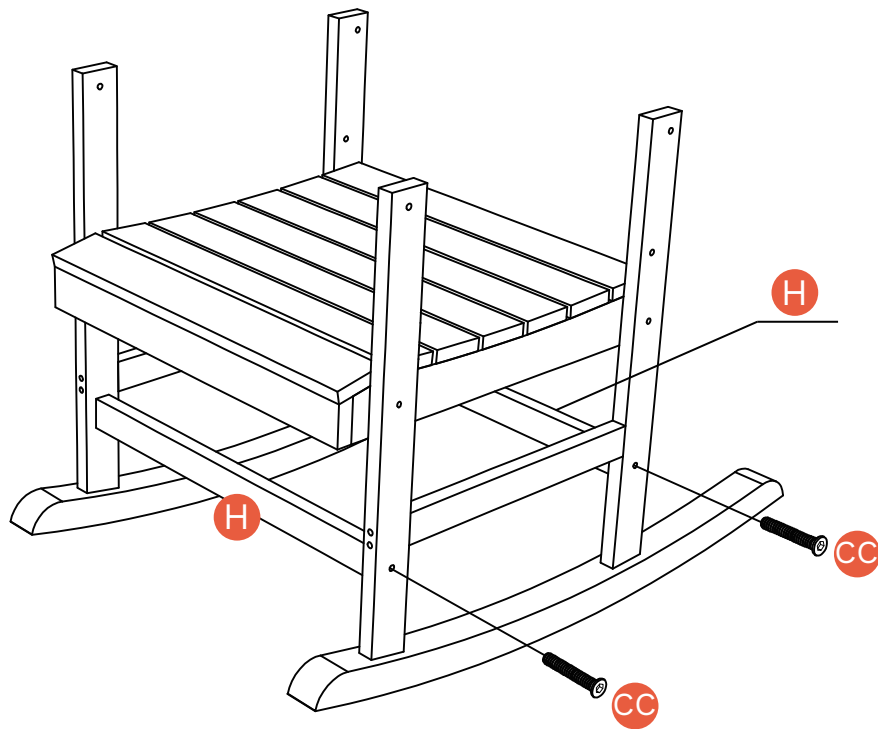


# Assembly steps

Step 7

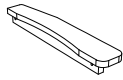


CC (x2)

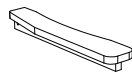


# Assembly steps

Step 8



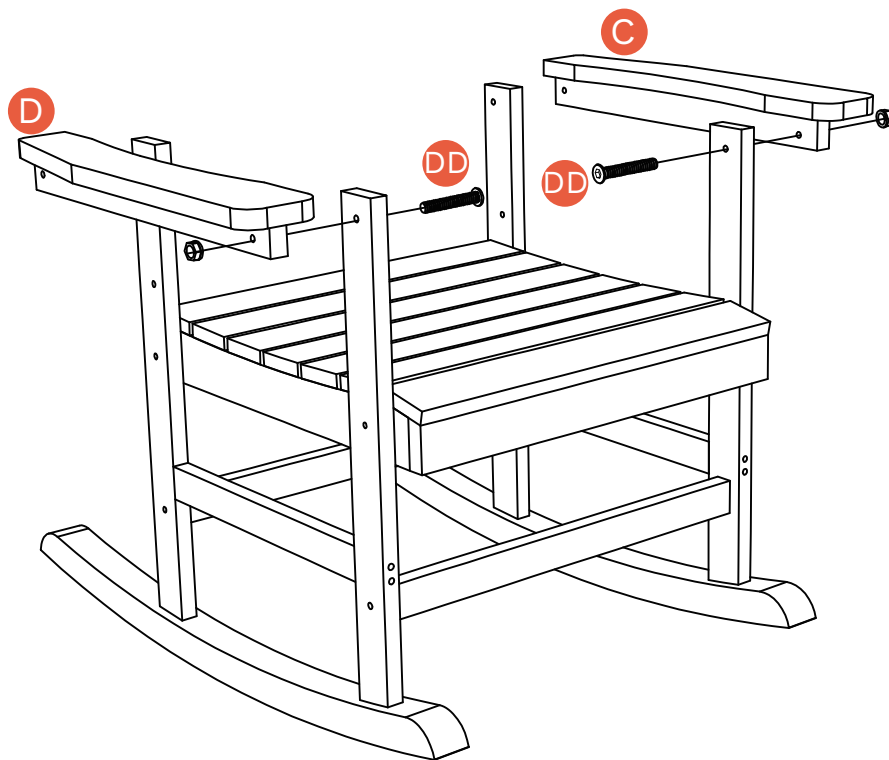
D (X1)



C (X1)



DD (X2)

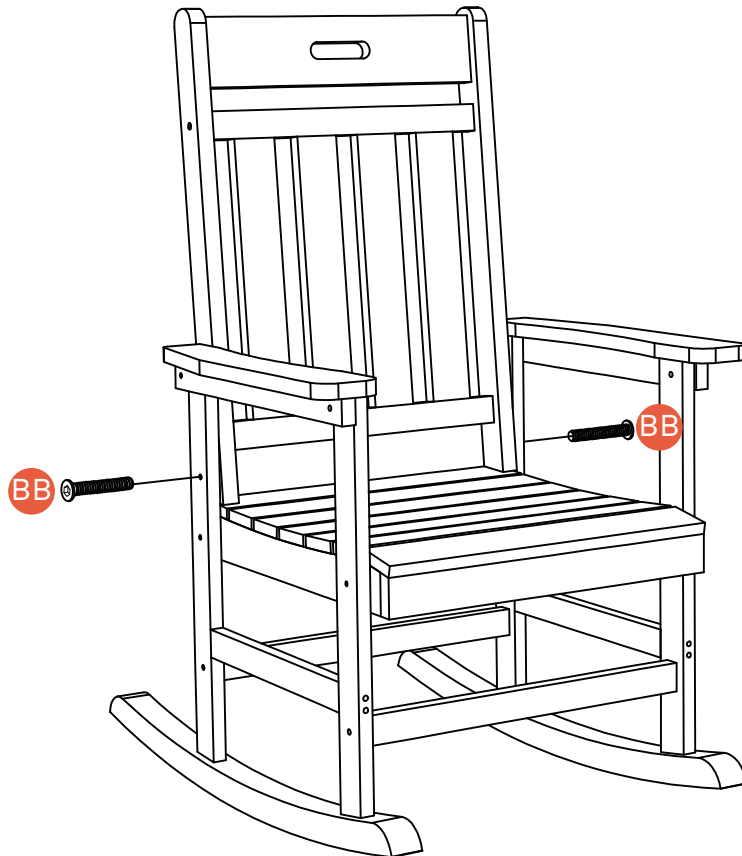


# Assembly steps

Step 9

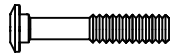


BB (X2)

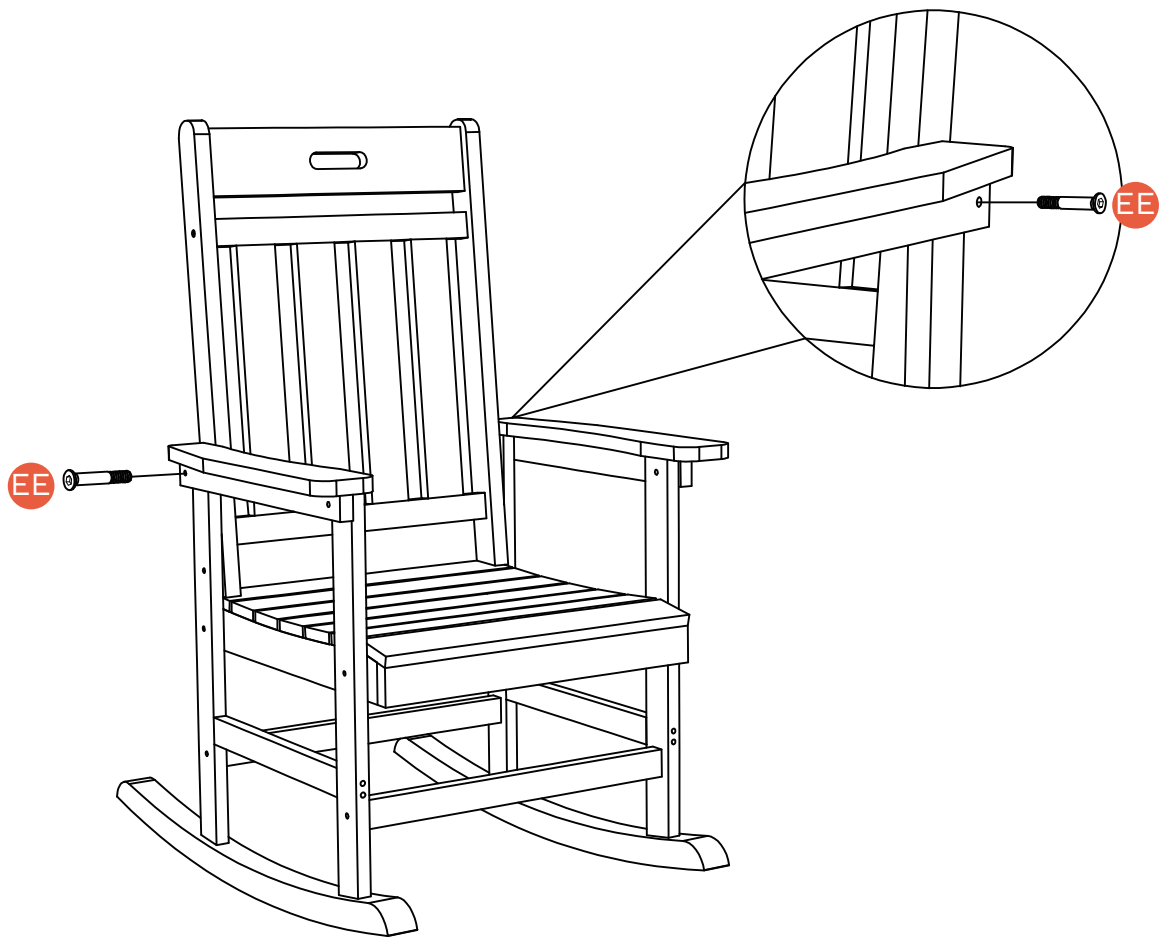


# Assembly steps

Step 10



EE (x2)



# Assembly steps

## Step 11

