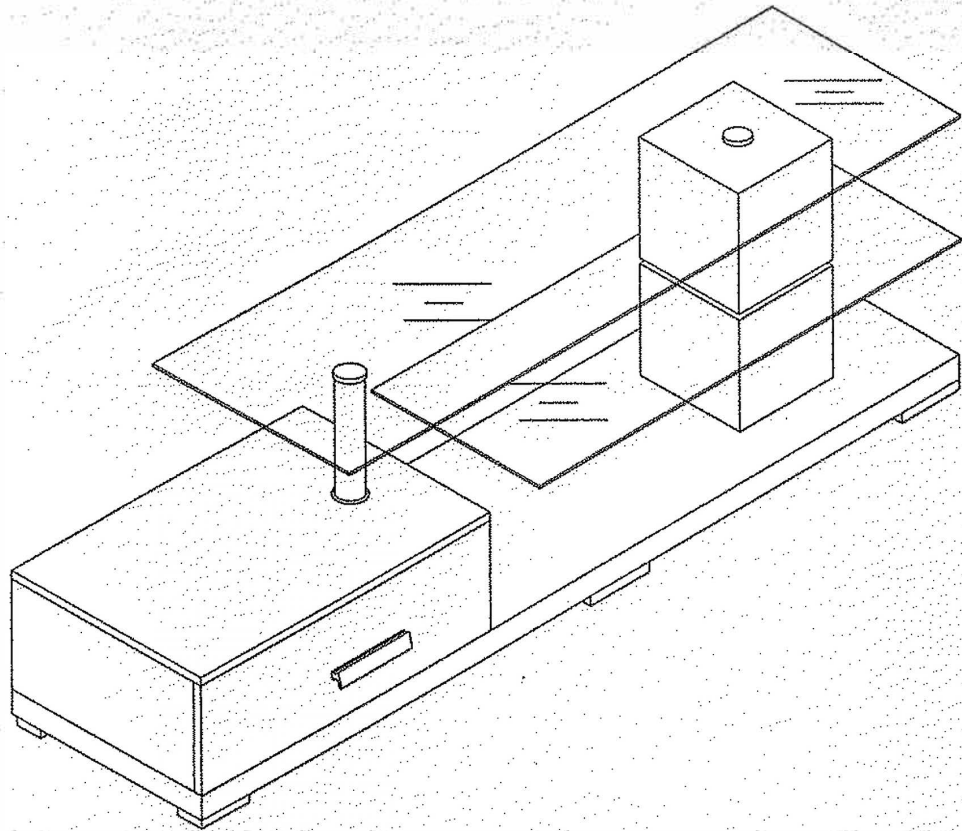


ASSEMBLY INSTRUCTION



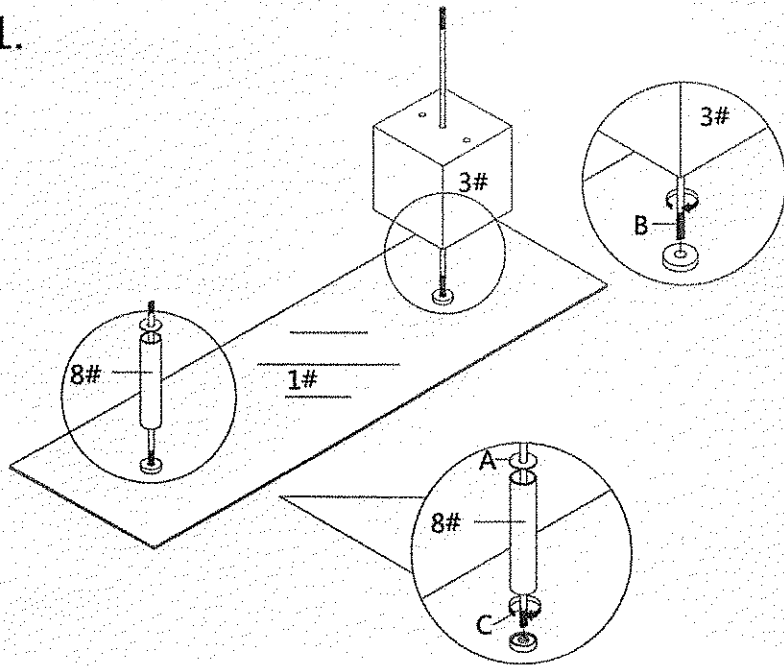
PARTS IDENTIFICATION

1#		1pc	9#		1pc
2#		1pc	10#		1pc
3#		1pc	11#		1pc
4#		1pc	12#		1pc
5#		1pc	13#		1pc
6#		1pc	14#		1pc
7#		2pcs	15#		2pcs
8#		1pc			

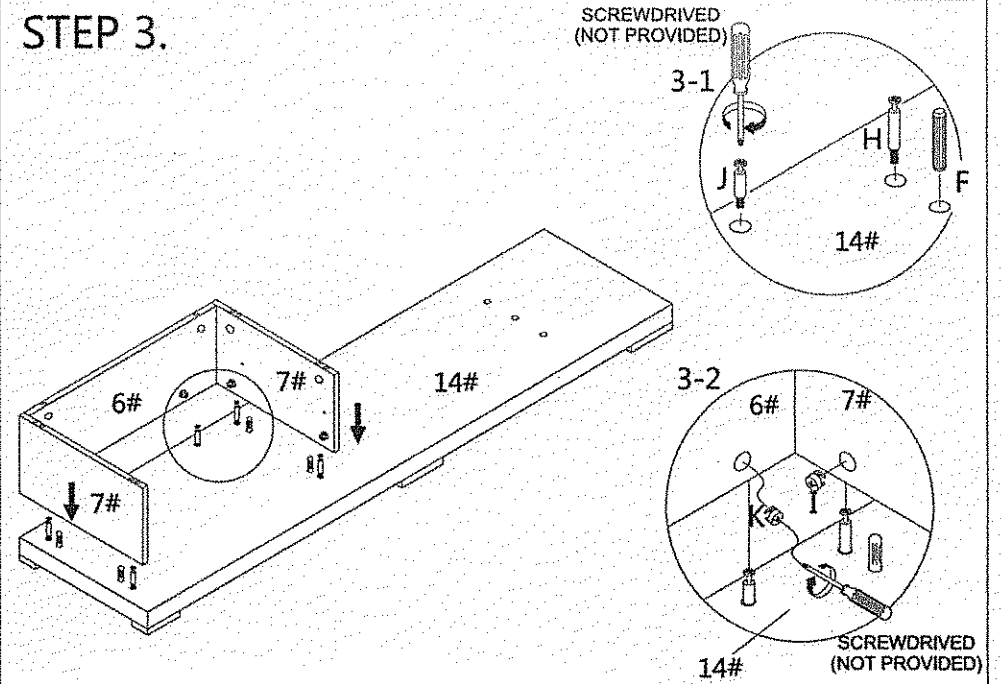
HARDWARE LIST

A		φ47x4	1pc	J		M6X24	12pcs
B		M8X455	1pc	K		φ12.5	12pcs
C		M8X240	1pc	L		M4X10	8pcs
D		M8X6.5	2pcs	M		M4X22	2pcs
E		φ18Xφ8X1.0	2pcs	N		M6X30	2pcs
F		φ6X30	8pcs	O		φ14Xφ6X1.0	2pcs
G		φ8X30	2pcs	P		106X22	1pc
H		M6X40	8pcs	Q		4x4	1pc
I		φ14.5	8pcs	R		M8	1pc

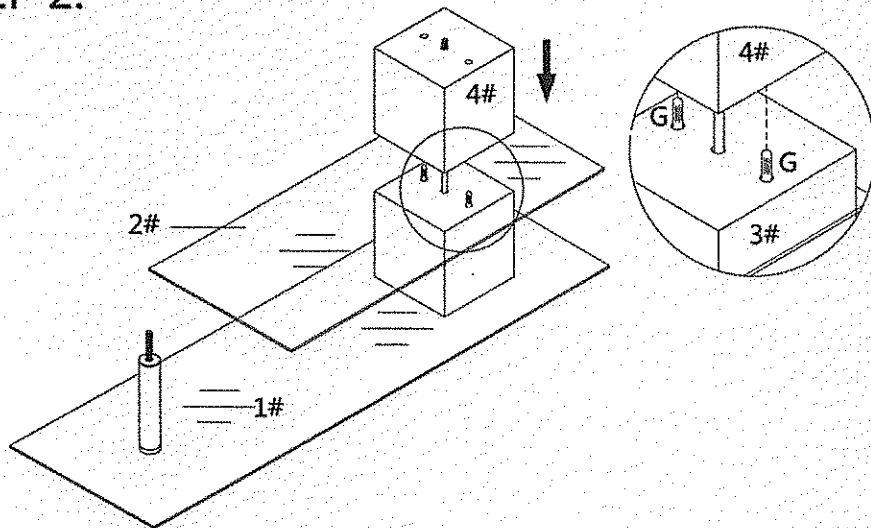
STEP 1.



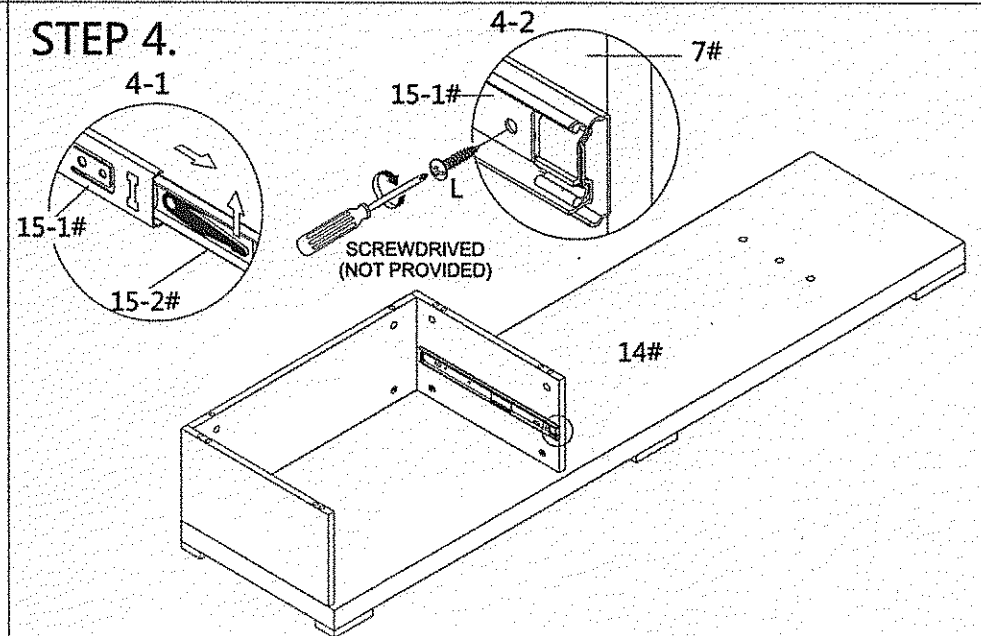
STEP 3.



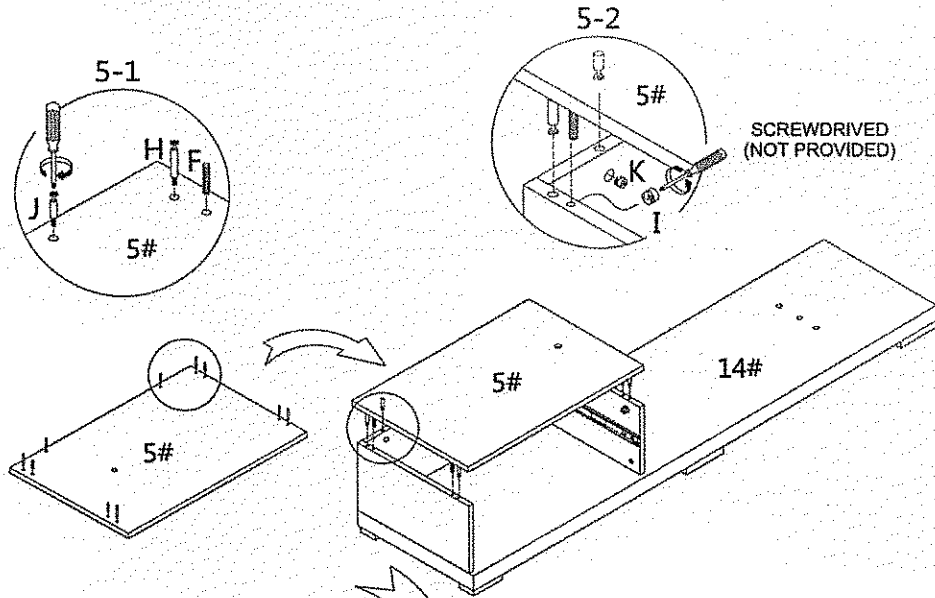
STEP 2.



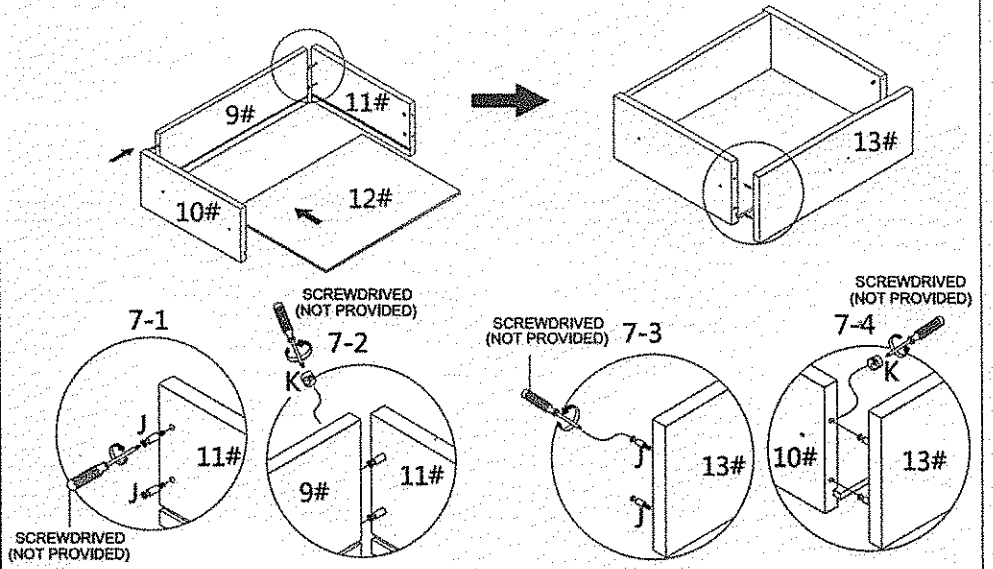
STEP 4.



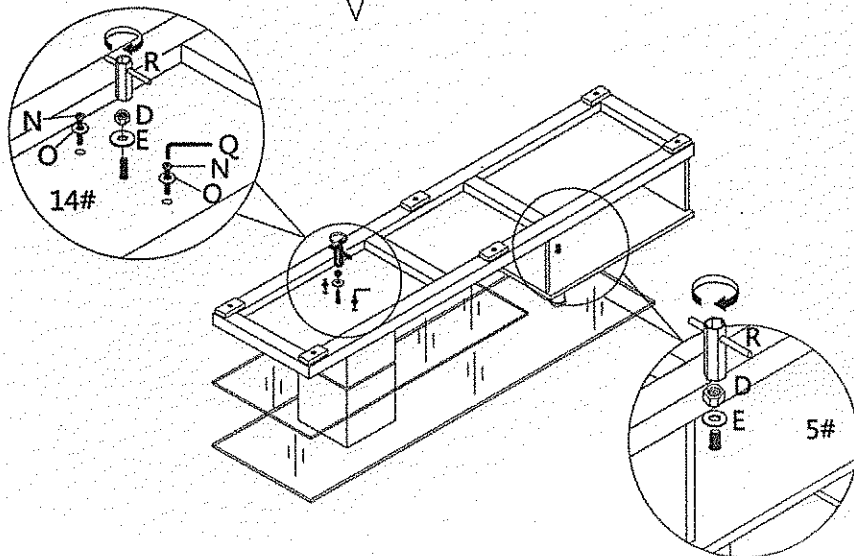
STEP 5.



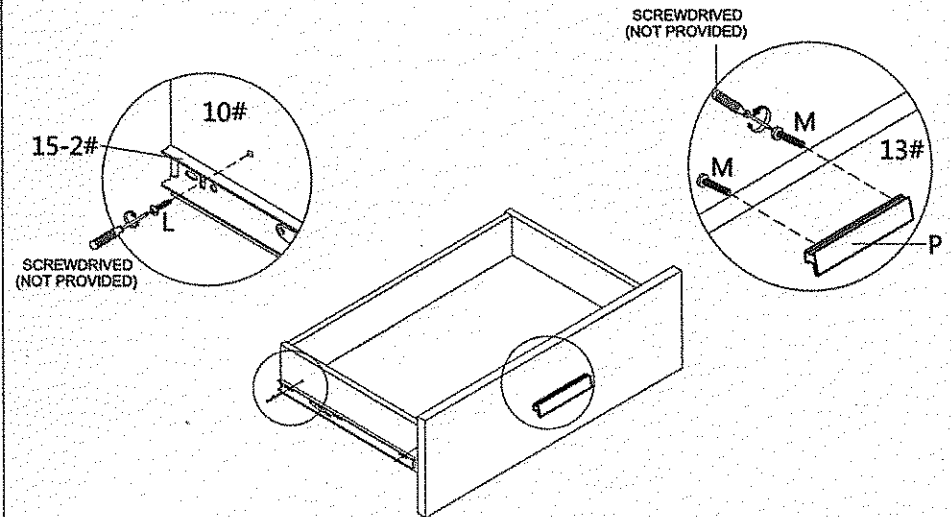
STEP 7.



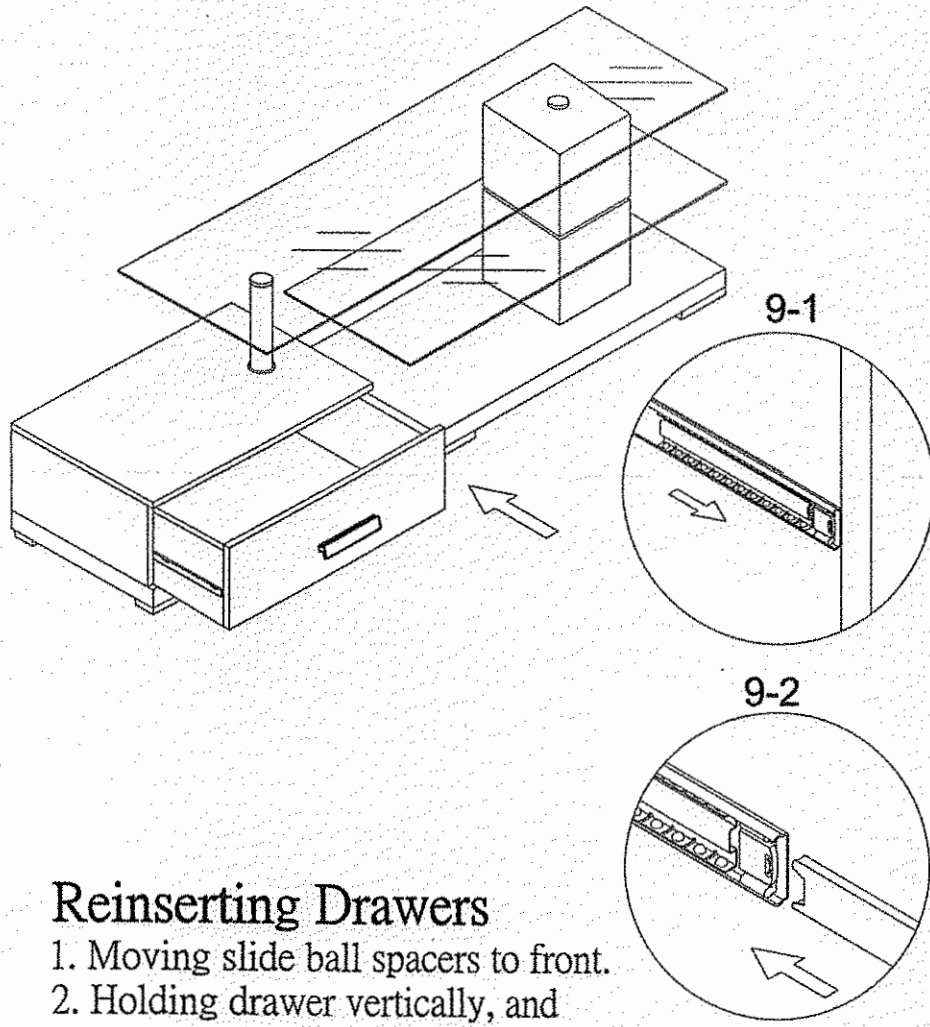
STEP 6.



STEP 8.



STEP 9.



Reinserting Drawers

1. Moving slide ball spacers to front.
2. Holding drawer vertically, and sliding runners into ball spacers.

STEP 10.

