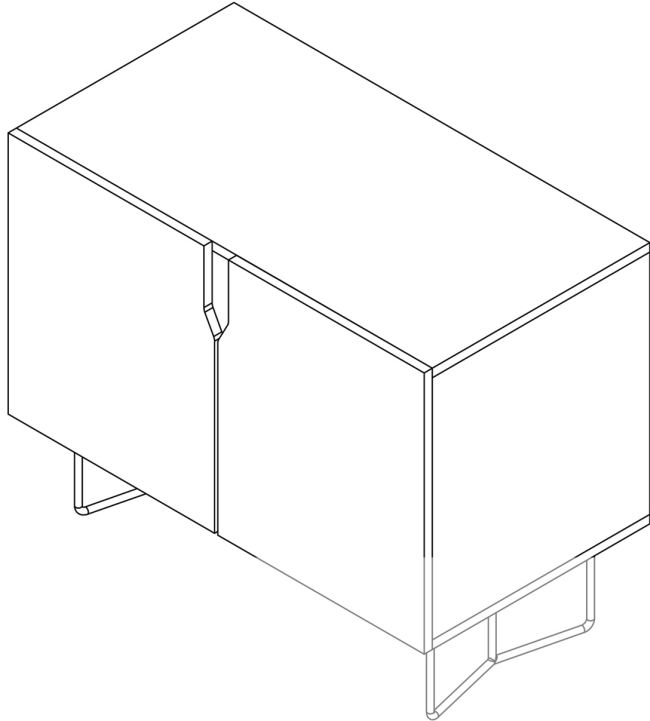
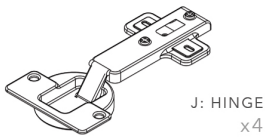


ASSEMBLY INSTRUCTIONS



WHAT'S INCLUDED:



J: HINGE
x4



K: WOOD DOWELS
x28



L: LONG SCREWS
x8



M: SHORT SCREWS
x16



N: SHELF PEGS
x4

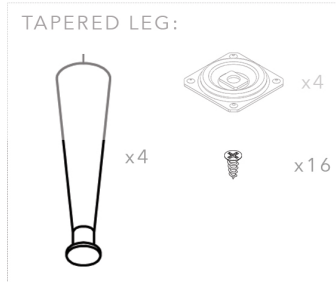
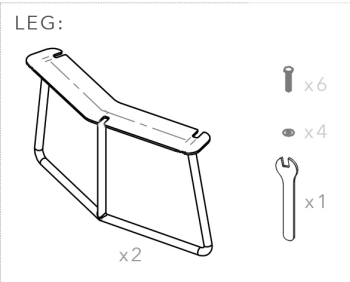
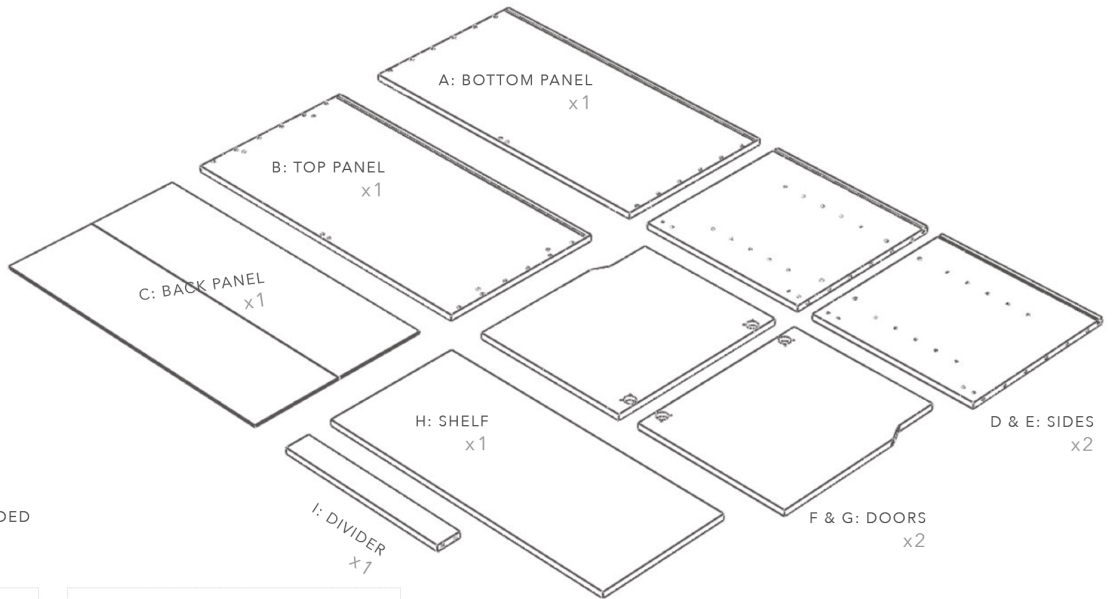


O: L BRACKETS
x4



M: SHORT BLACK SCREWS
x8

*NOTE: EXTRAS MAY BE INCLUDED



DO NOT USE AN
ELECTRIC
SCREWDRIVER

YOU WILL NEED:



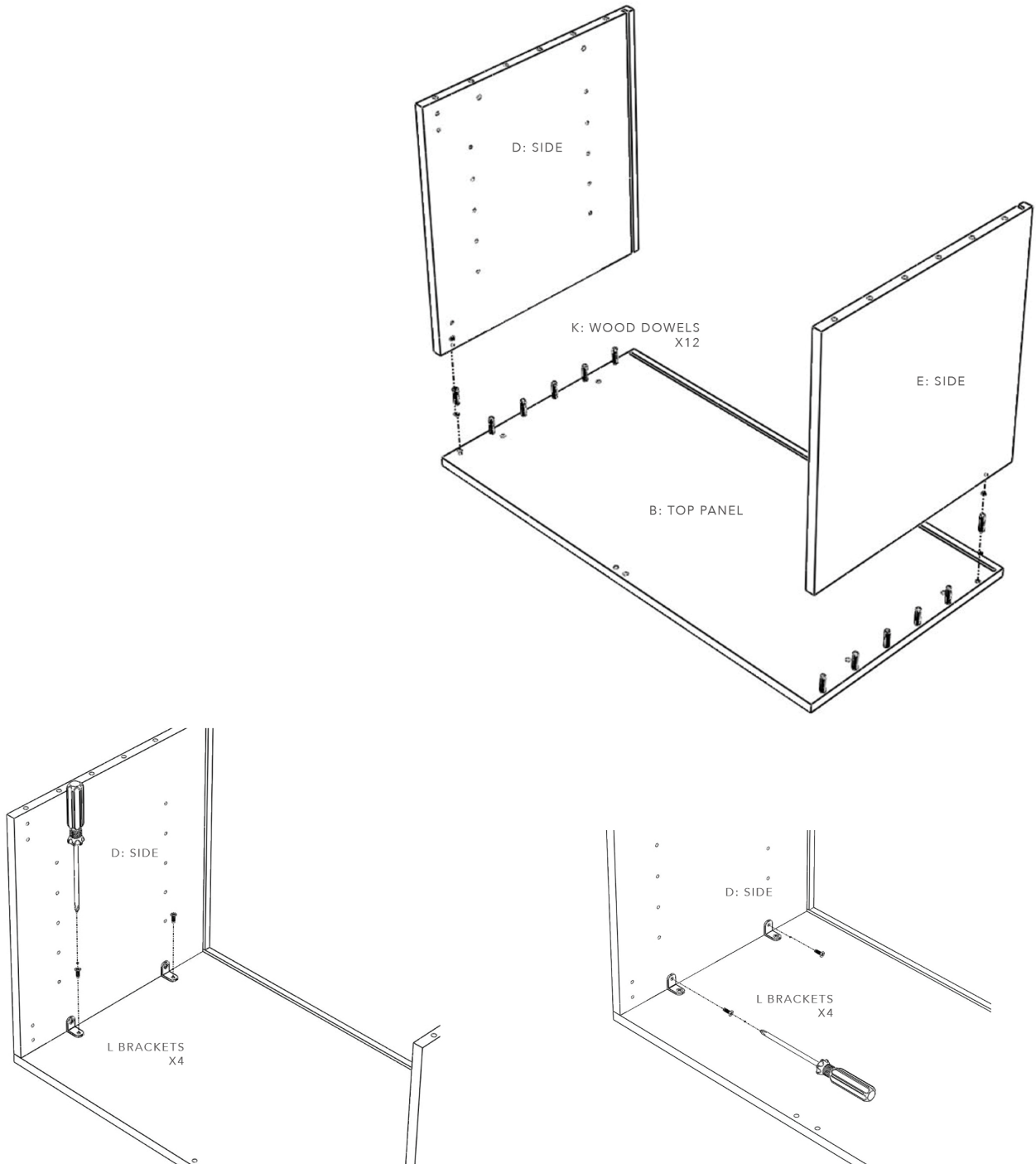
PHILLIPS HEAD
SCREWDRIVER



YOU AND ANOTHER HELPER

ASSEMBLY INSTRUCTIONS

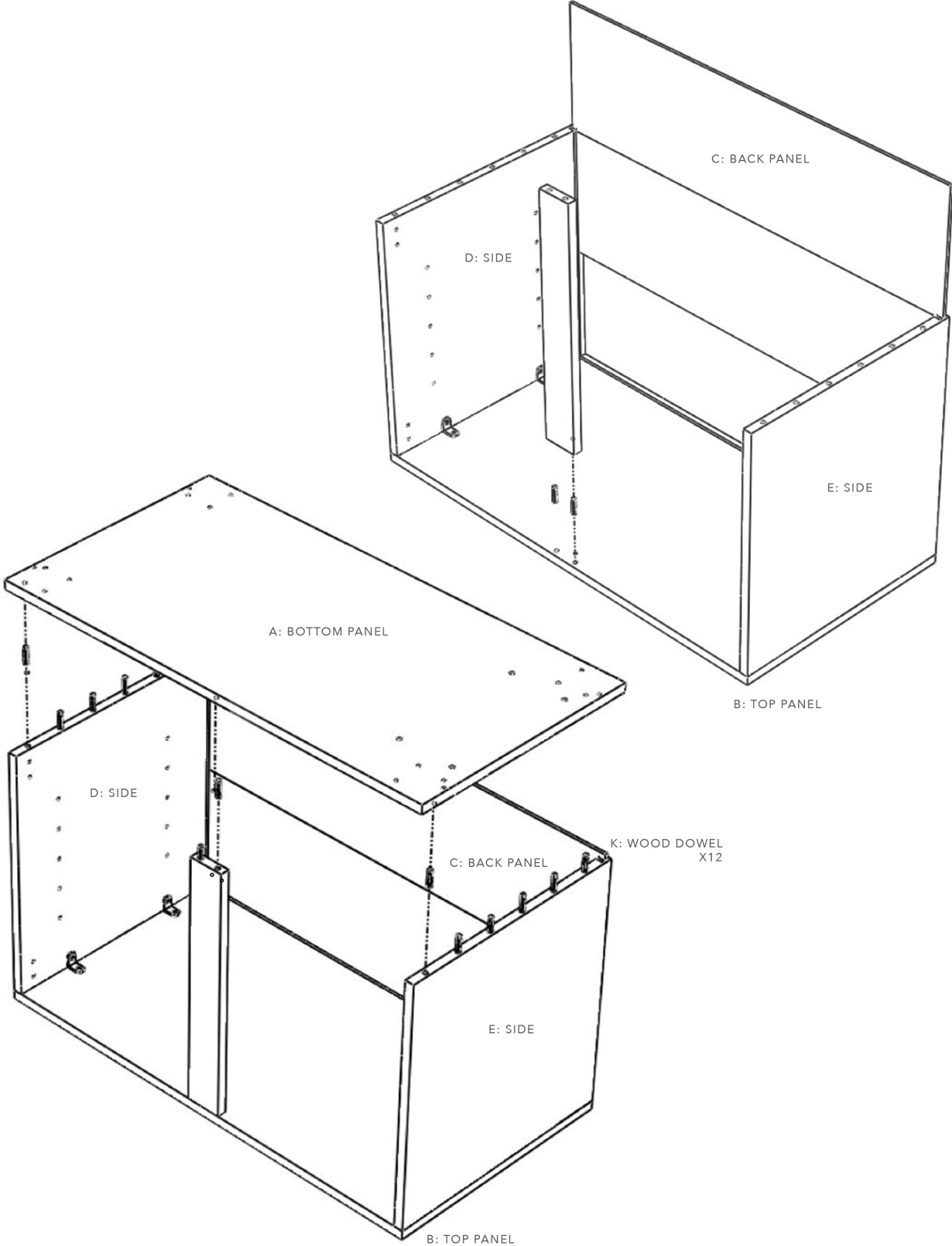
PRO TIP: TO PROTECT THE WOOD, ASSEMBLE ON TOP OF THE CARDBOARD SHEETS INCLUDED IN YOUR PACKAGING.



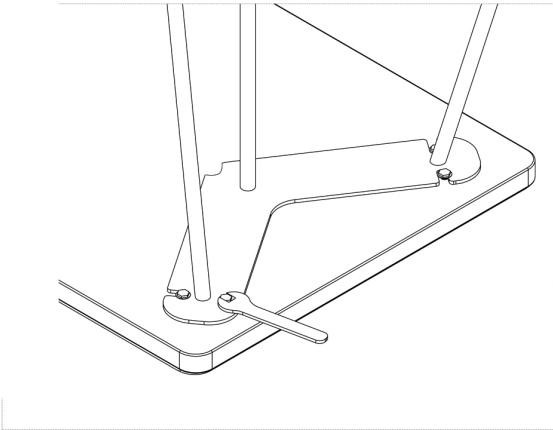
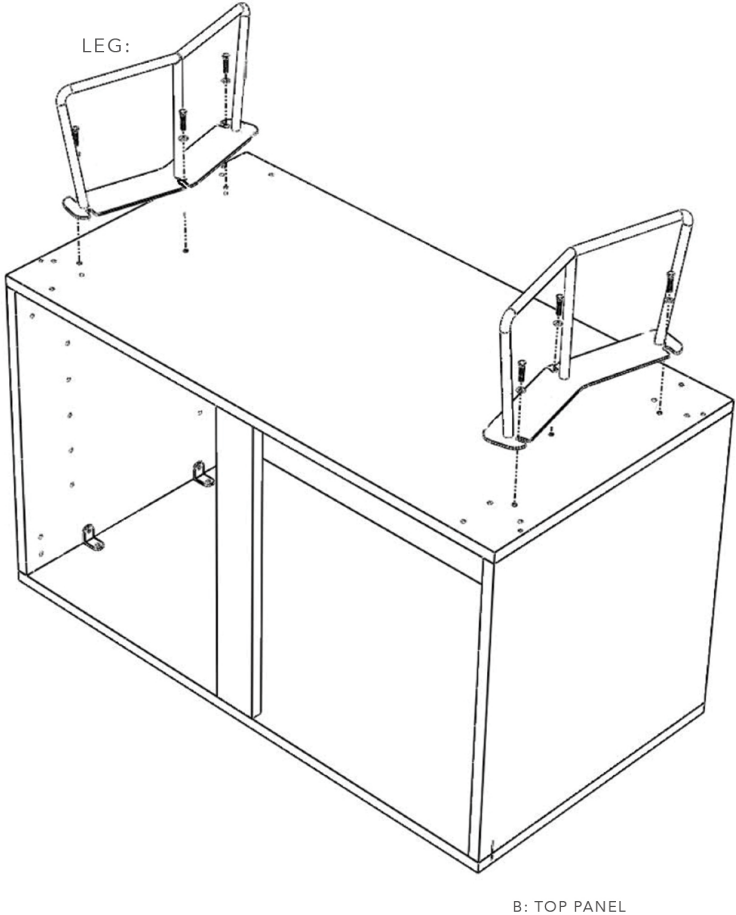
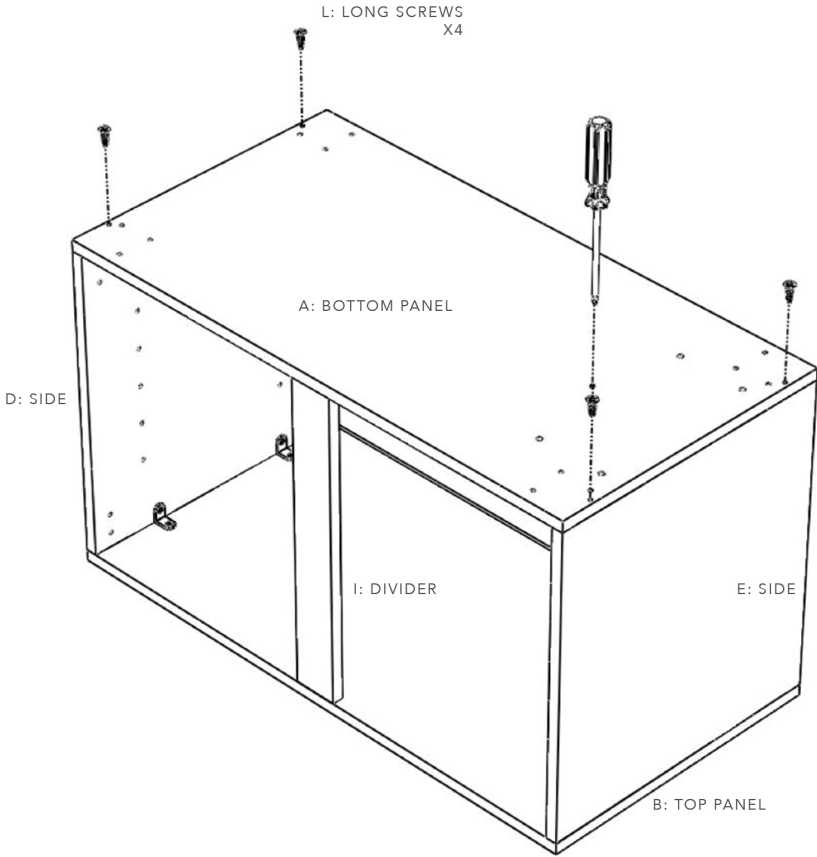
REPEAT AND ADD L BRACKETS ON SIDE E

ASSEMBLY INSTRUCTIONS

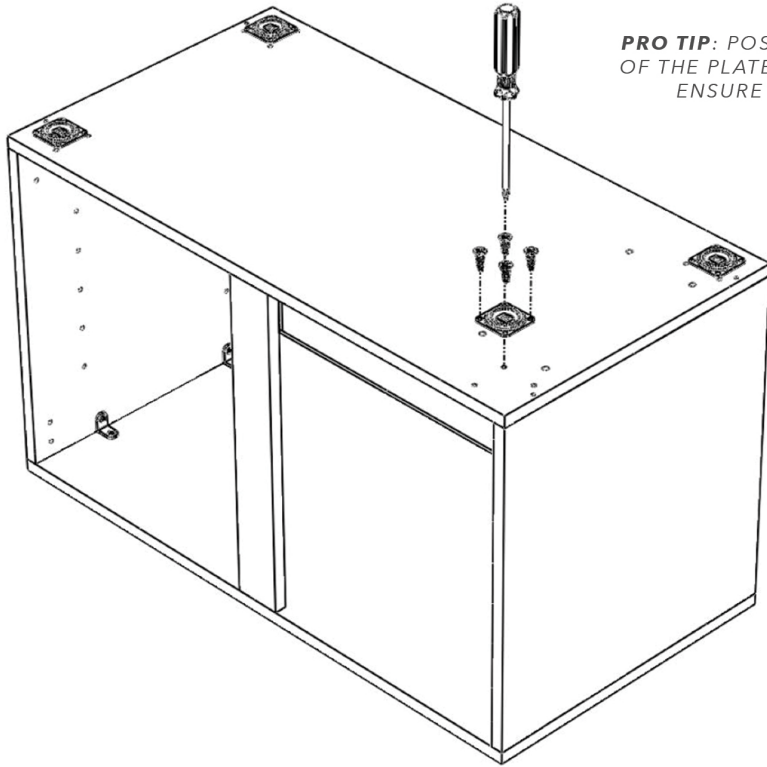
PRO TIP: TO PROTECT THE WOOD, ASSEMBLE ON TOP OF THE CARDBOARD SHEETS INCLUDED IN YOUR PACKAGING.



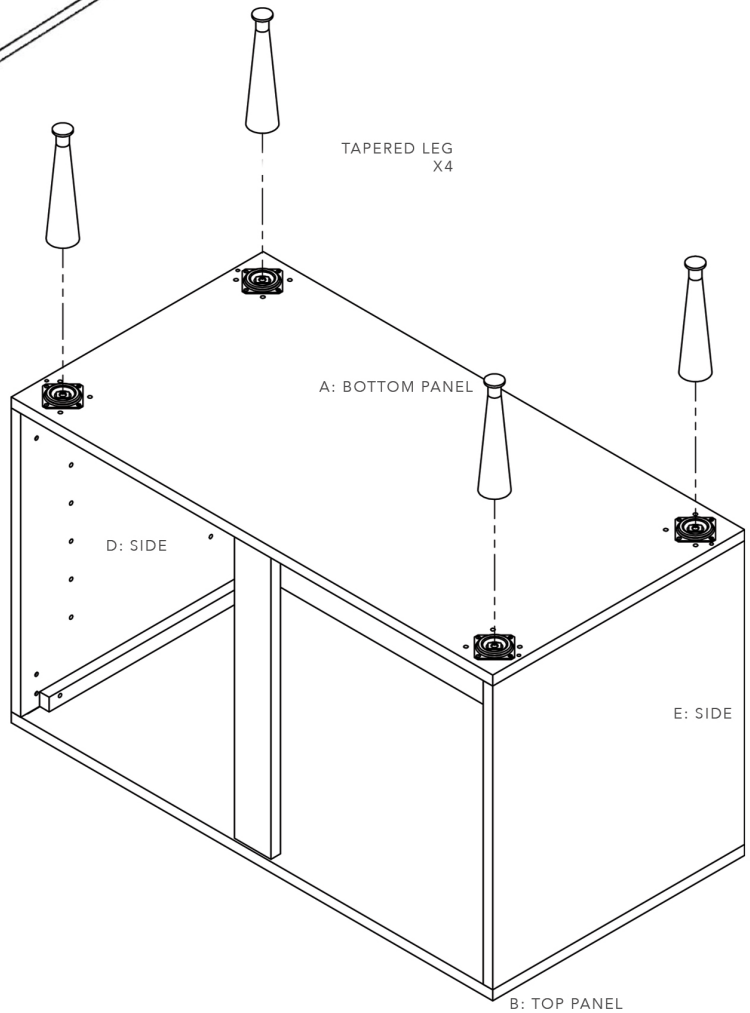
ASSEMBLY INSTRUCTIONS



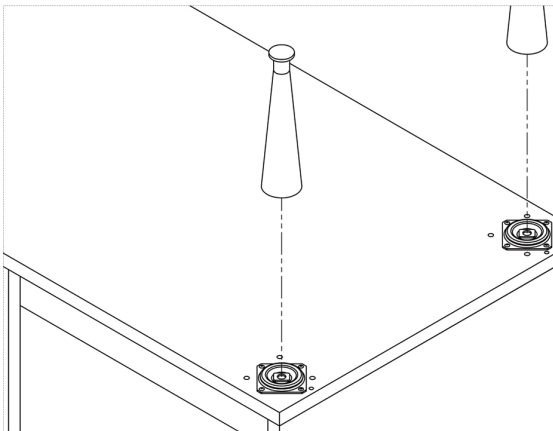
ASSEMBLY INSTRUCTIONS



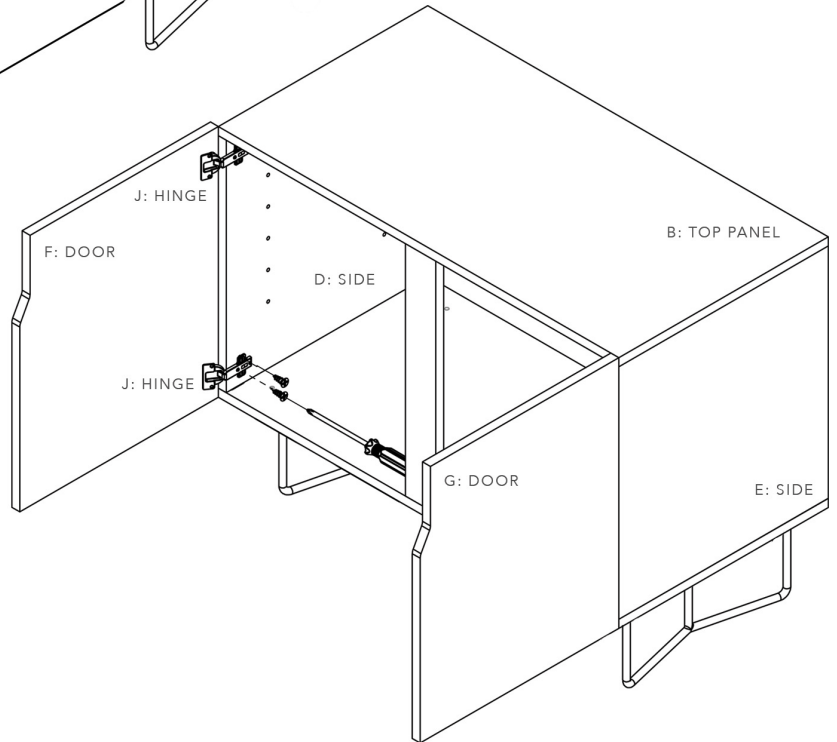
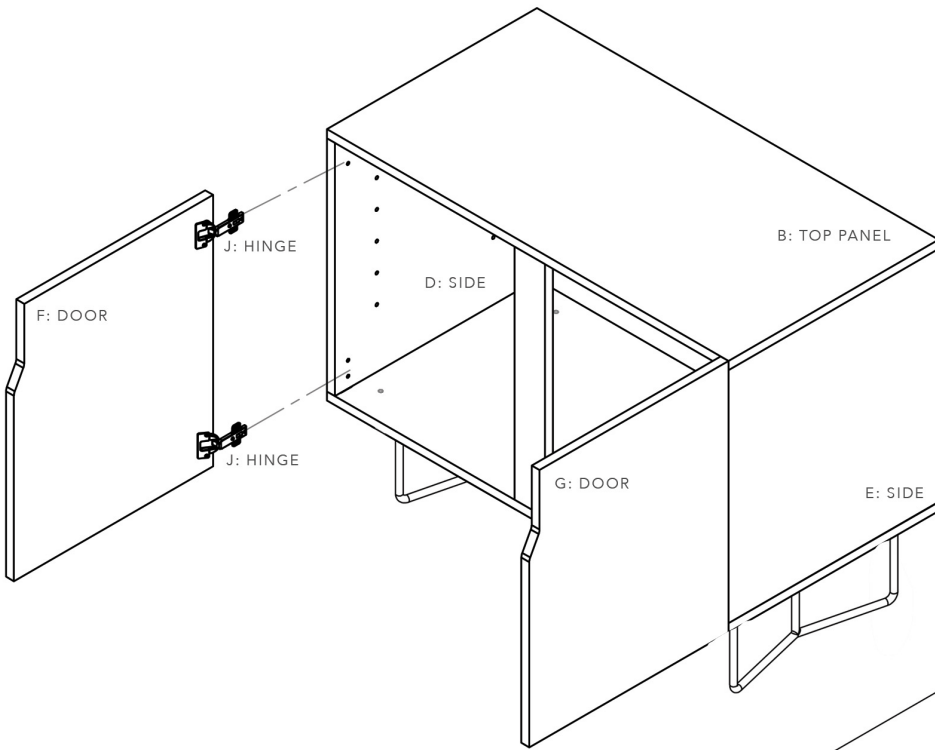
PRO TIP: POSITION THE LEG PLATES SO THAT THE ANGLED PART OF THE PLATE IS FACING INWARD FROM EACH CORNER. THIS WILL ENSURE YOUR WOODEN LEGS ARE ANGLED CORRECTLY.



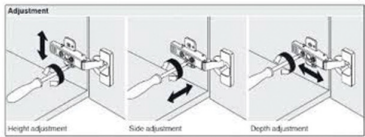
TAPERED LEG:



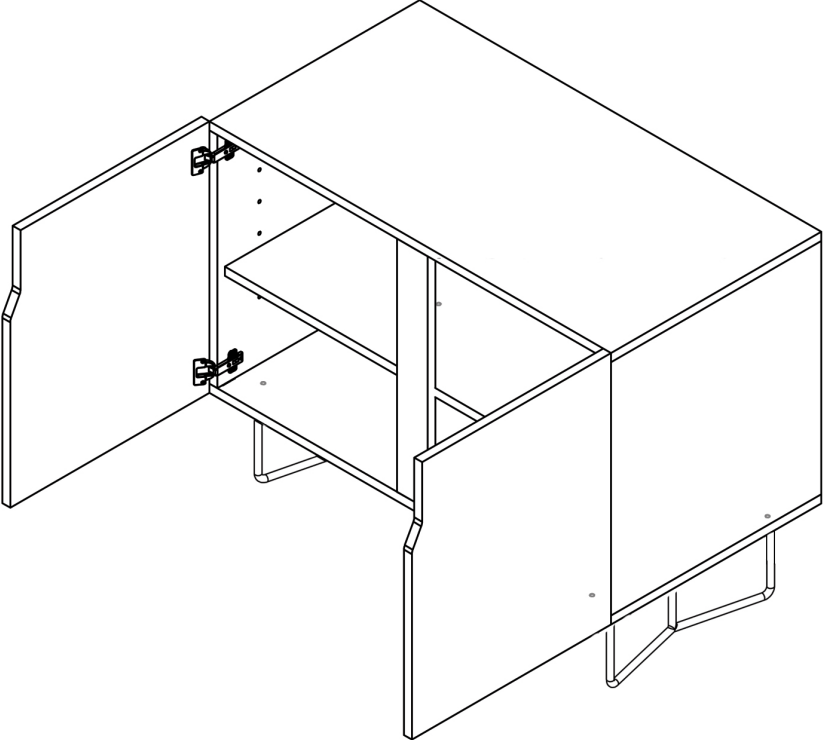
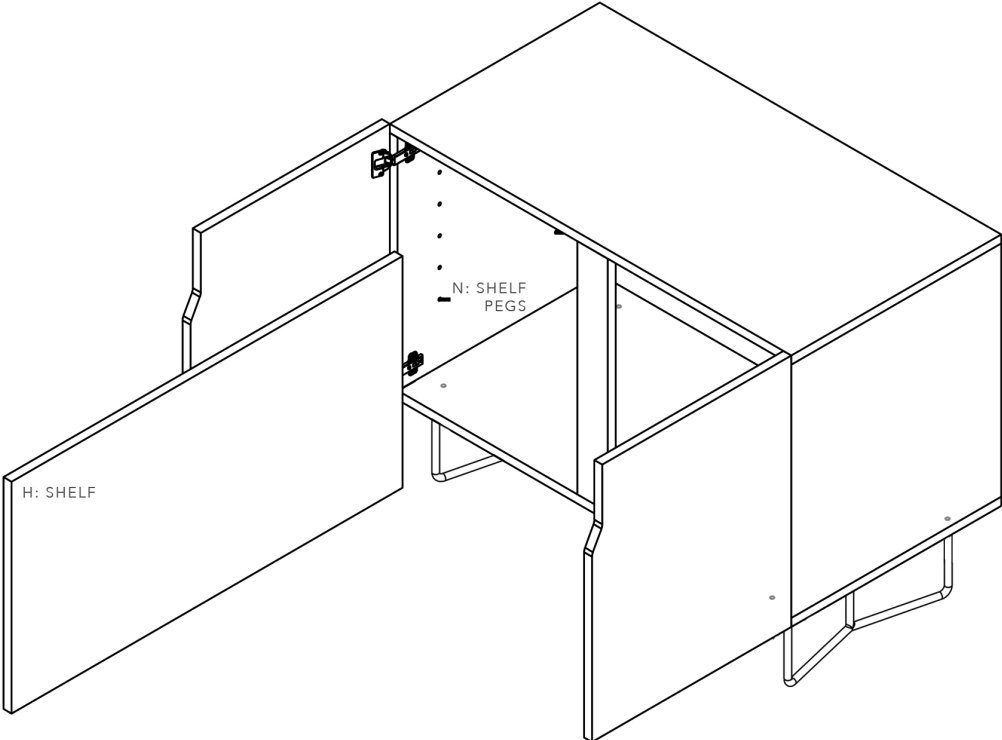
ASSEMBLY INSTRUCTIONS



SOME ADJUSTMENTS ON DOOR HINGES WILL BE NECESSARY.



ASSEMBLY INSTRUCTIONS



PRO TIP: TO PROTECT WOOD AND HARD FLOORS, USE INCLUDED FELT PROTECTORS UNDERNEATH THE CREDENZA LEGS.