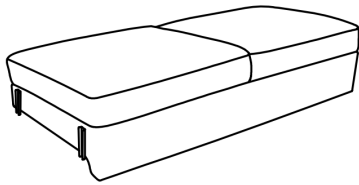


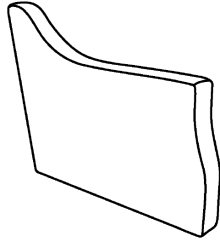
# ASSEMBLY INSTRUCTIONS

## LOVESEAT



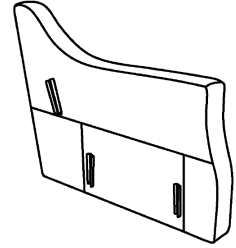
x1

A



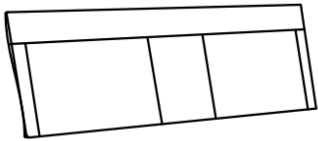
x1

B



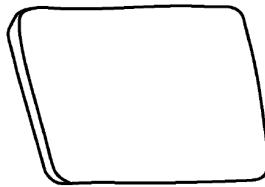
x1

C



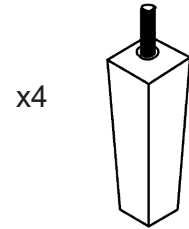
x1

D



x2

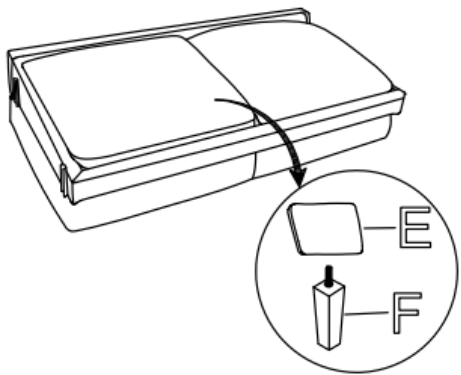
E



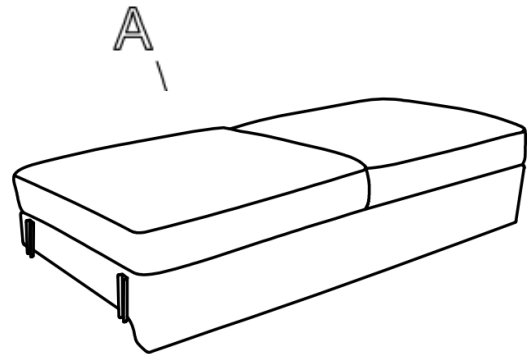
x4

F

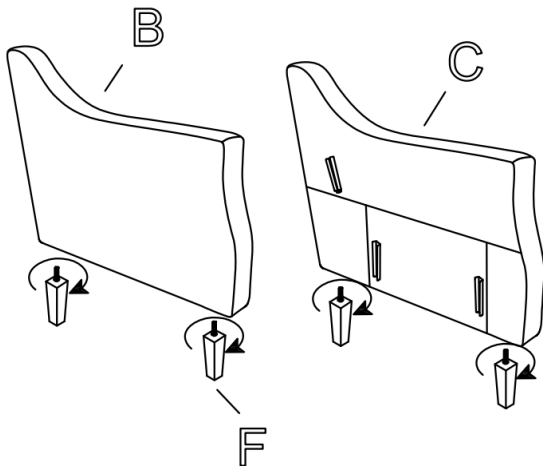
**STEP 1 - Take out the back cushions (E) and legs (F).**



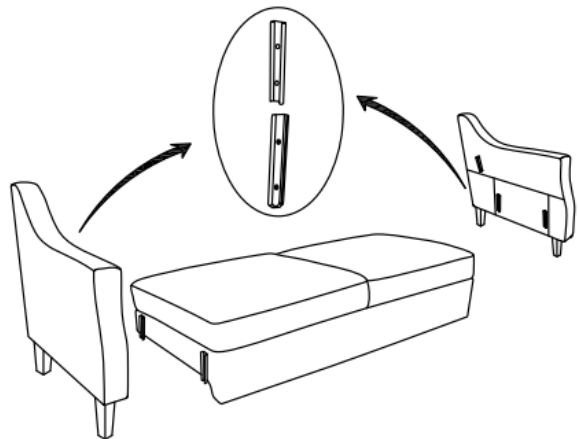
**STEP 2 - Put back the seat (A) as below picture.**



**STEP 3 - Insert the legs (F) into the arms (B) and (C).**



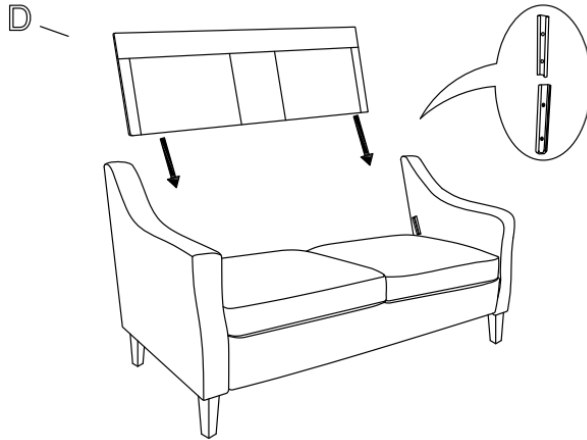
**STEP 4 - Insert the arms into the seat frame according to the brackets.**



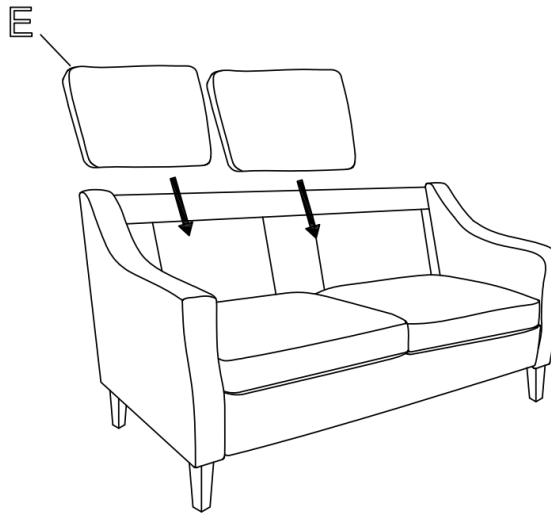
# **ASSEMBLY INSTRUCTIONS**

## **LOVESEAT**

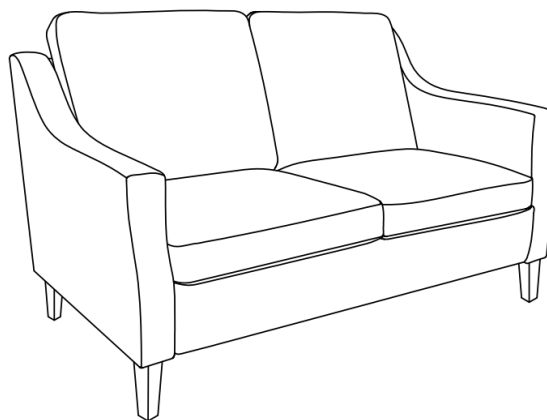
**STEP 5 - Insert the VUW frame (D) into the seat frame according to the brackets.**



**STEP 6 - Insert the VUW cushions (E) into the back frame (D).**

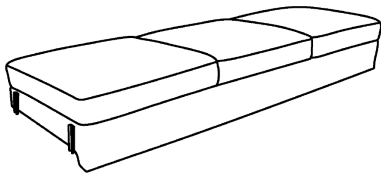


**STEP 7 - Complete the product.**



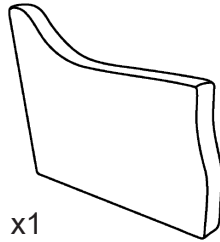
# ASSEMBLY INSTRUCTIONS

## SOFA



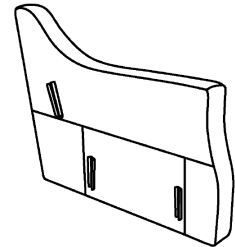
x1

A



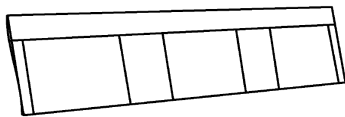
x1

B



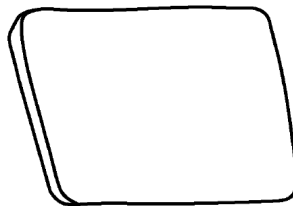
x1

C



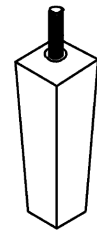
x1

D



x3

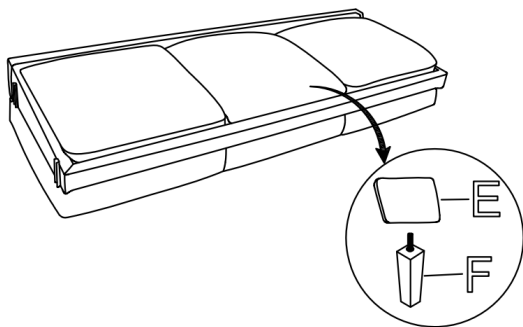
E



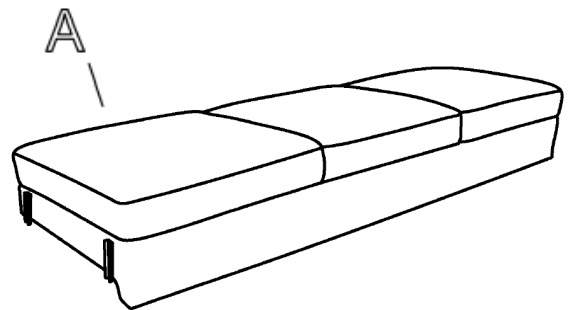
x4

F

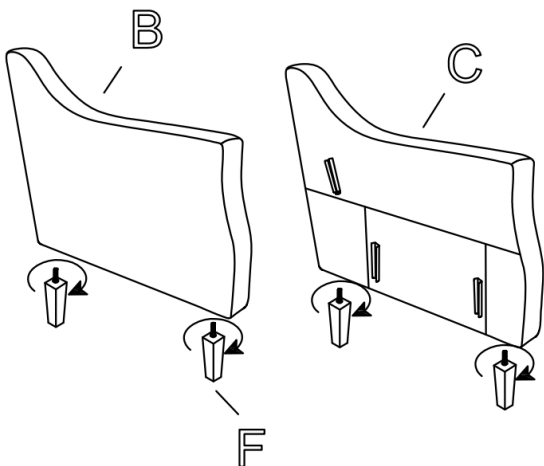
**STEP 1 - Take out the back cushions (E) and legs (F).**



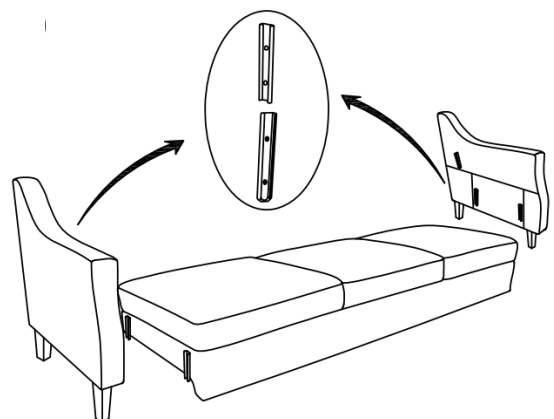
**STEP 2 - Put back the seat (A) as below picture.**



**STEP 3 - Insert the legs (F) into the arms (B) and (C).**



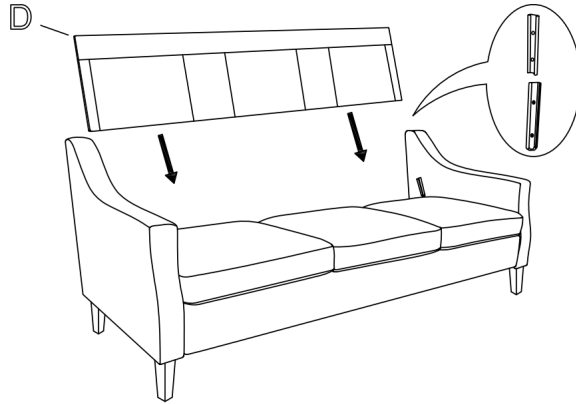
**STEP 4 - Insert the arms into the seat frame according to the brackets.**



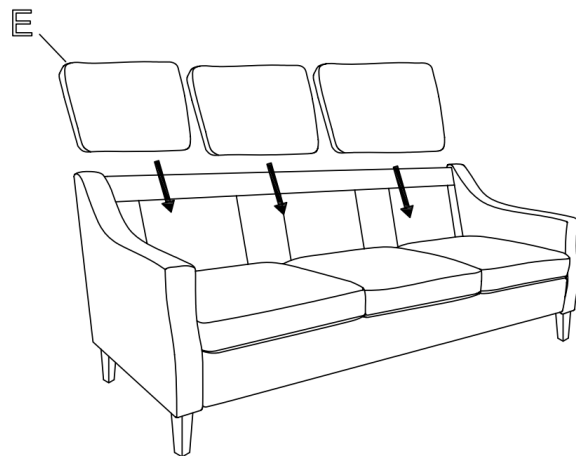
# **ASSEMBLY INSTRUCTIONS**

## **SOFA**

**STEP 5 - Insert the VUW frame (D) into the seat frame according to the brackets.**



**STEP 6 - Insert the VUW cushions (E) into the back frame (D).**



**STEP 7 - Complete the product.**

