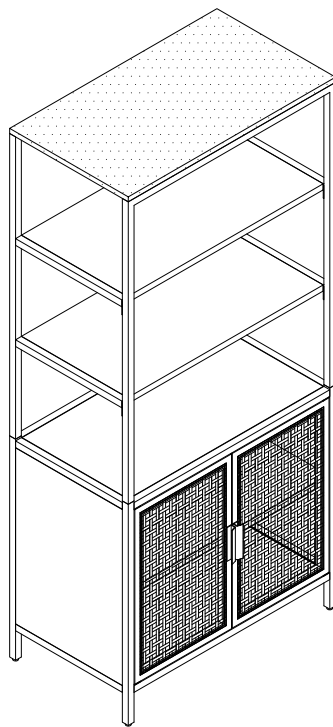


ASSEMBLY INSTRUCTIONS



Fine Furniture for every stage of life

ACCENT CABINET

ASSEMBLY INSTRUCTIONS

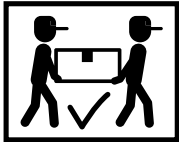
ASSEMBLY TIPS:

1. Remove hardware from box and sort by size.
2. Please check to see that all hardware and parts are present prior to start of assembly.
3. Please follow attached instructions in the same sequence as numbered to assure fast & easy assembly.



WARNING !

1. Don't attempt to repair or modify parts that are broken or defective. Please contact the store immediately.
2. This product is for home use only and not intended for commercial establishment.



ASSEMBLY TIME


20 MINUTE

PARTS IDENTIFICATION

A BACK BOTTOM FRAME  1PC

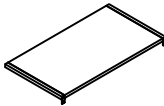
B FRONT BOTTOM FRAME  1PC

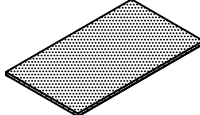
C SIDE BOTTOM FRAME  2PCS

D CABINET PANEL  2PCS


E FRONT TOP FRAME  1PC

F BACK TOP FRAME  1PC


G SHELF  2PCS

H TOP  1PC

I CABINET SHELF  1PC

J HANDLE  2PCS

HARDWARE IDENTIFICATION

1 BOLT (3/16"x1/2")  28PCS

2 BOLT (1/4"x1/2")  18PCS

3 BOLT (1/4"x1-3/4")  4PCS

4 WASHER (φ12mm)  28PCS

5 WASHER (φ16mm)  22PCS

6 ALLEN KEY (4x22x60mm)  1PC

7 ANTI - TIP KIT  1PC

NOTE:



Phillips head screw driver is required in the assembly process; however, manufacturer does not provide this item.

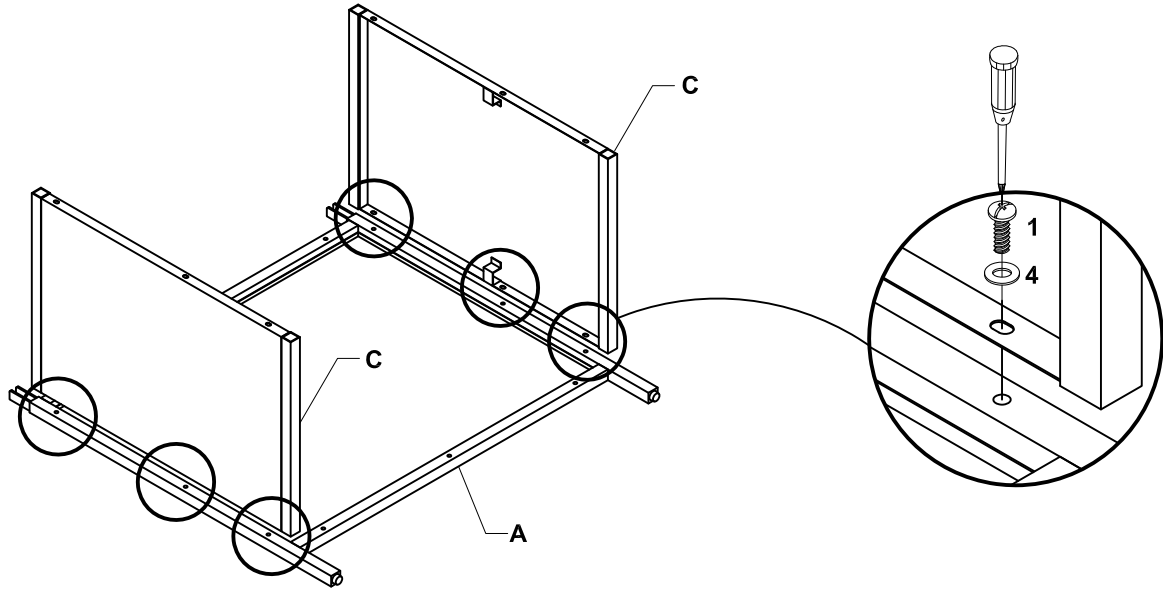
ASSEMBLY INSTRUCTIONS

STEP 1:



ASSEMBLY

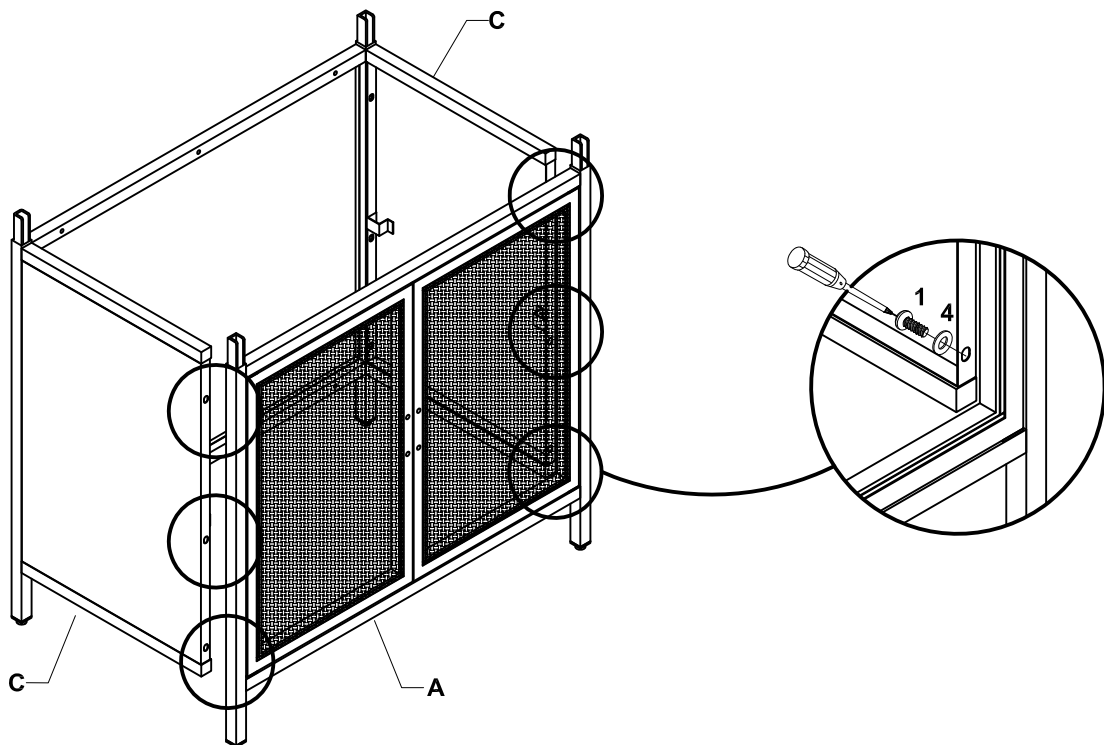
Do not fully tighten all bolts until assembly is complete.
This will help all parts to assemble properly.

1		6PCS
4		6PCS





STEP 2:

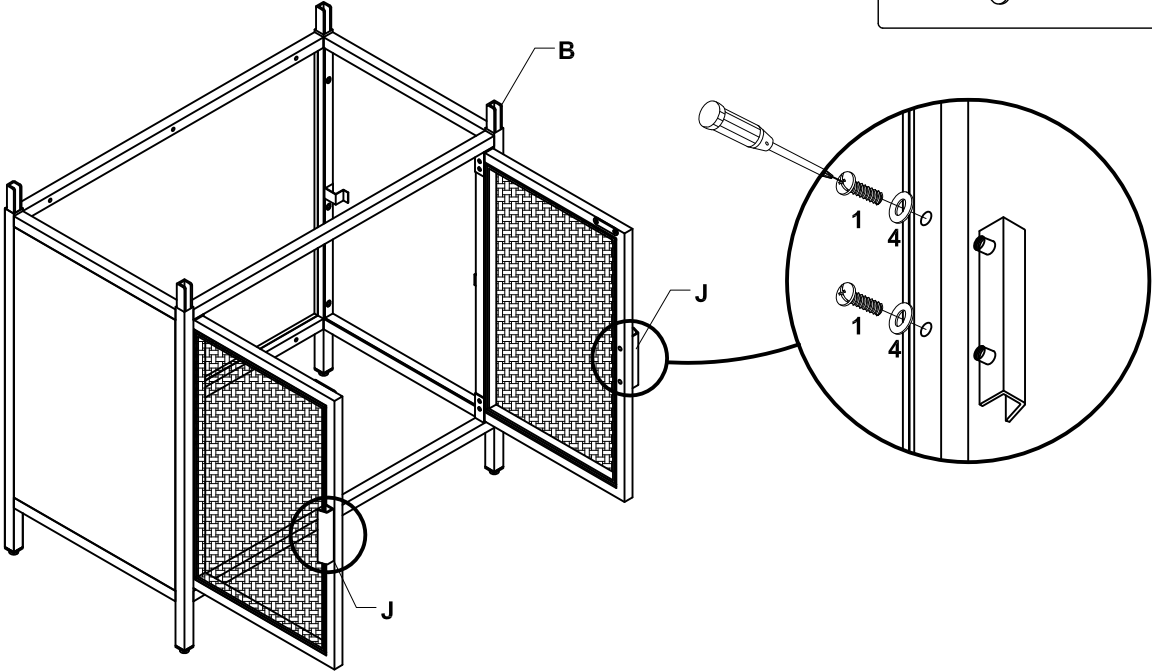
1		6PCS
4		6PCS





ASSEMBLY INSTRUCTIONS

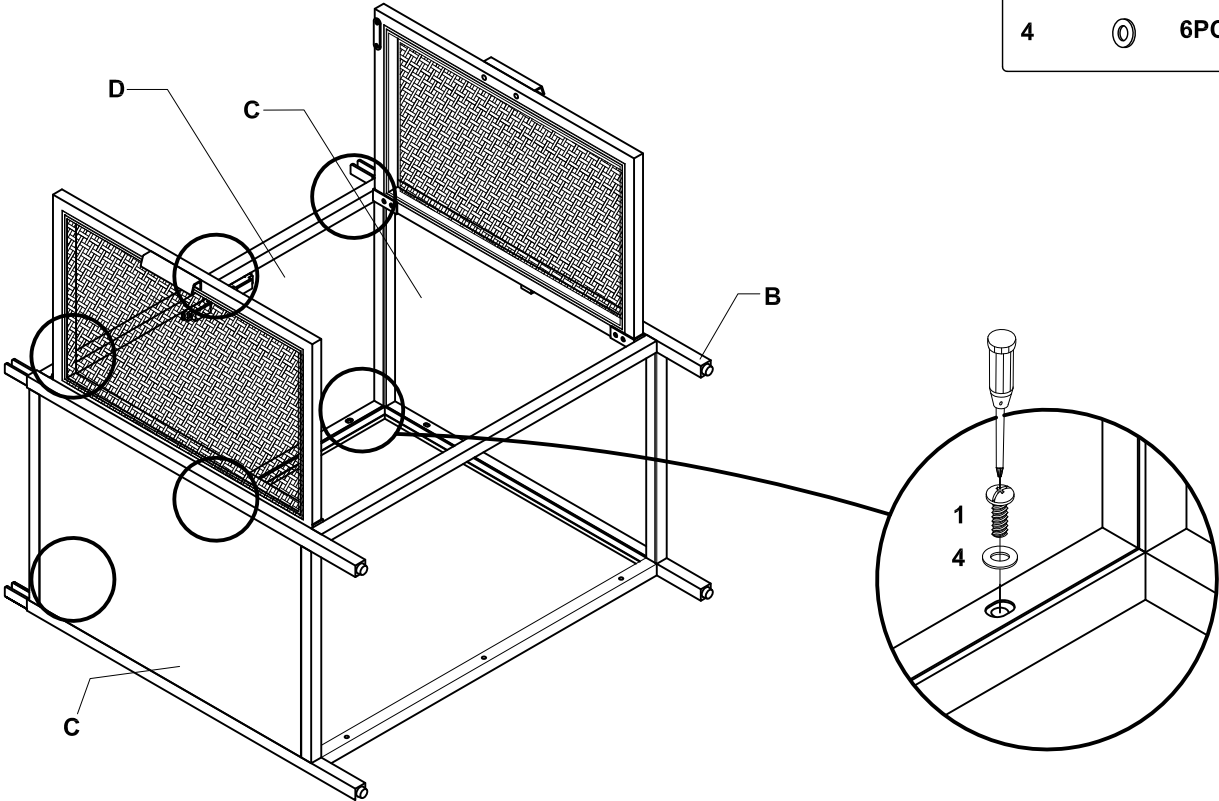
STEP 3:

1		4PCS
4		4PCS



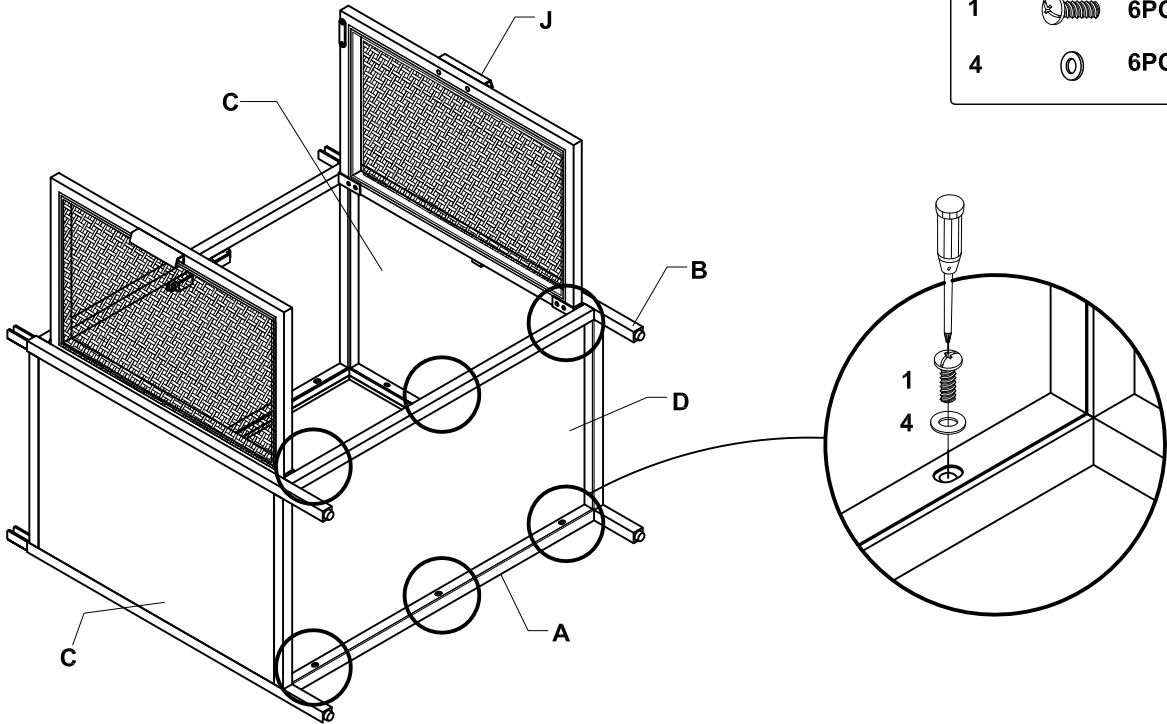
STEP 4:



1		6PCS
4		6PCS



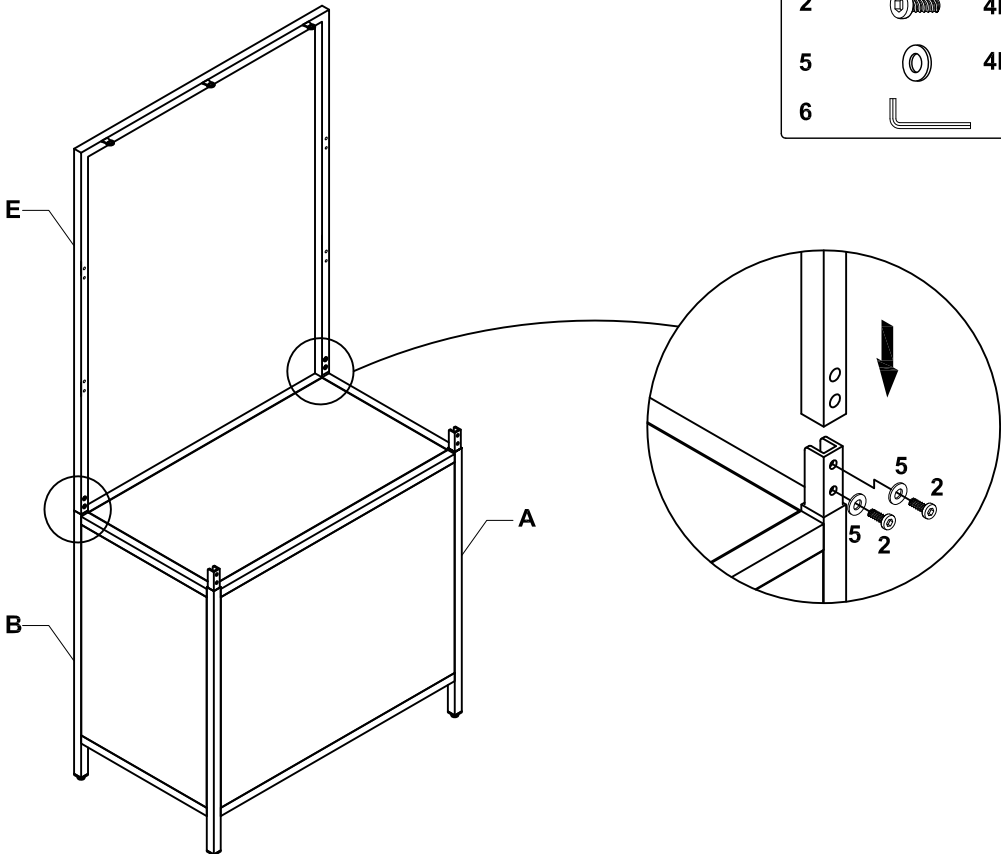
ASSEMBLY INSTRUCTIONS



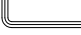
STEP 5:



1		6PCS
4		6PCS

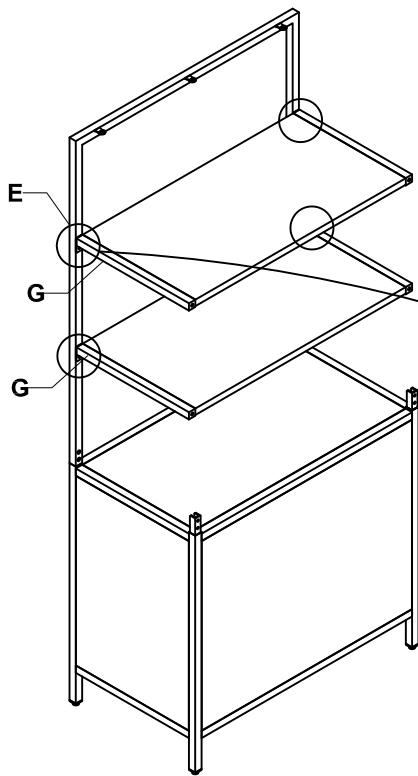
STEP 6:



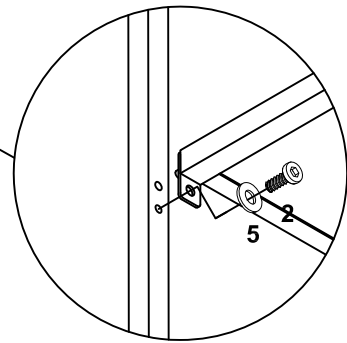
2		4PCS
5		4PCS
6		

ASSEMBLY INSTRUCTIONS

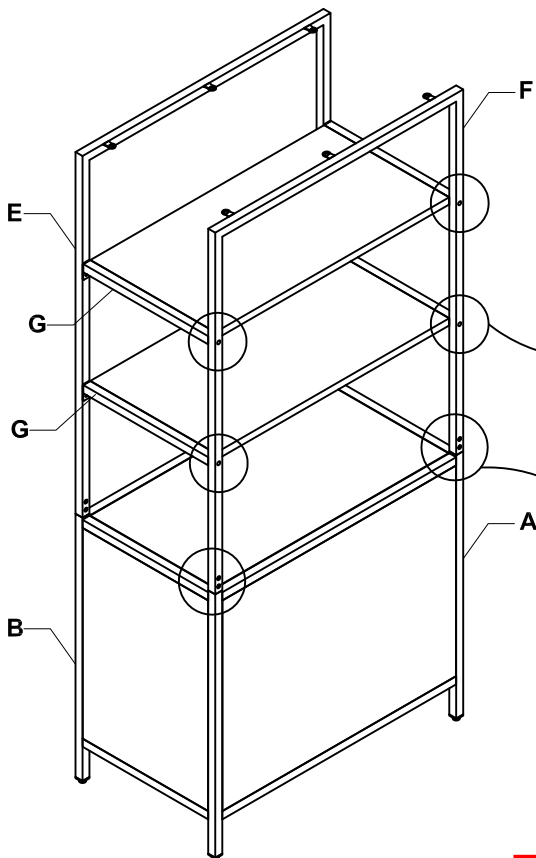
STEP 7:



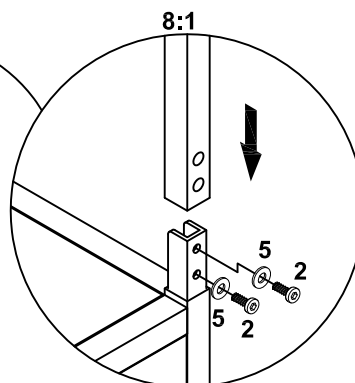
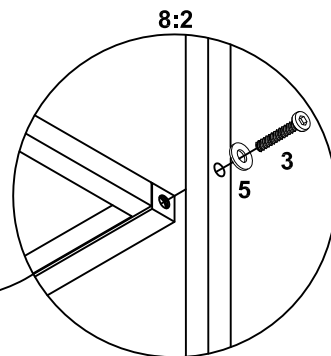
2		4PCS
5		4PCS
6		



STEP 8:

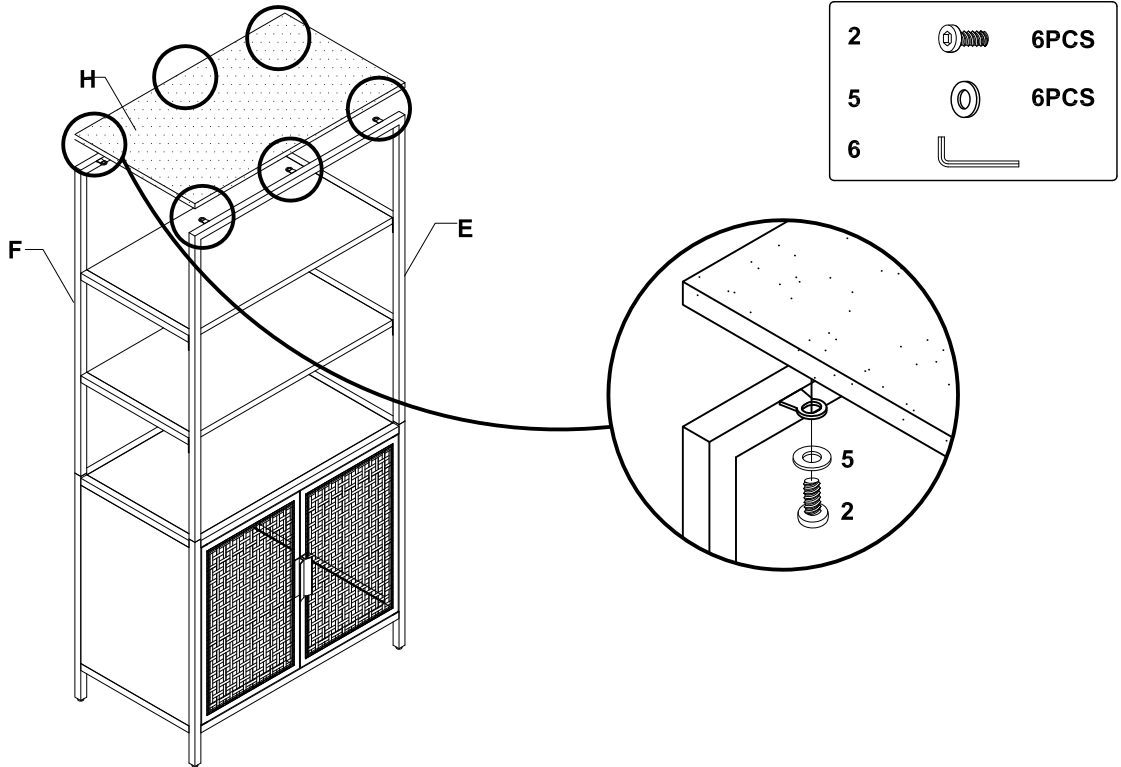


2		4PCS
3		4PCS
5		8PCS
6		

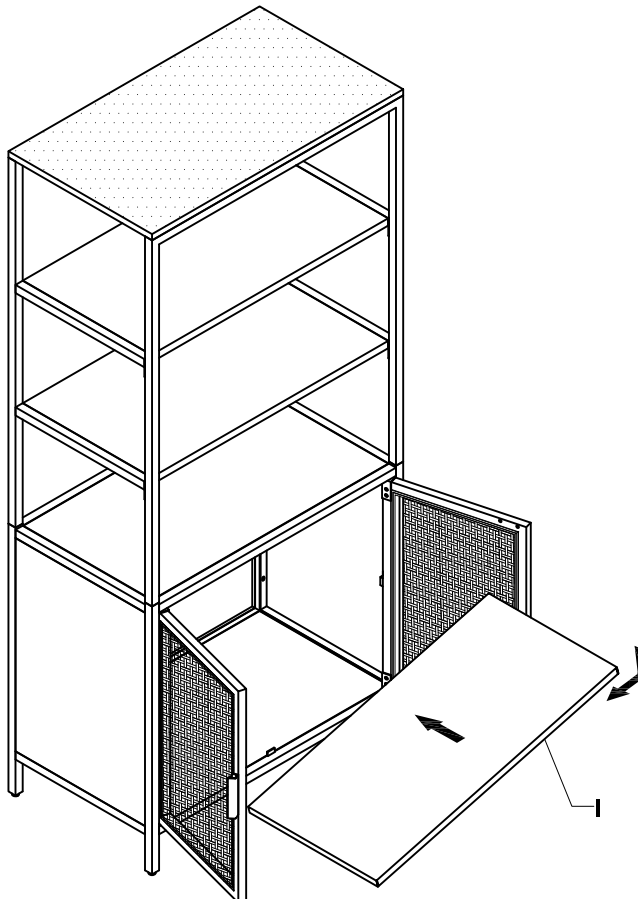


ASSEMBLY INSTRUCTIONS

STEP 9:

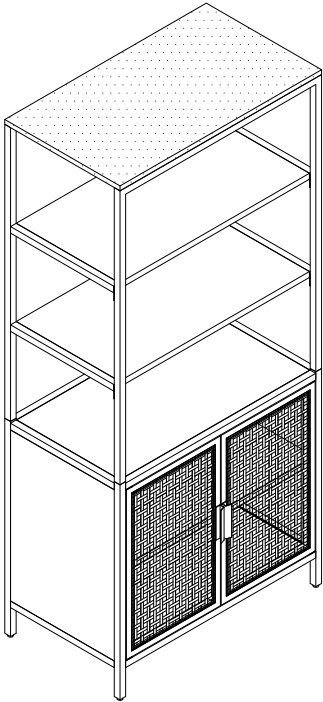


STEP 10:

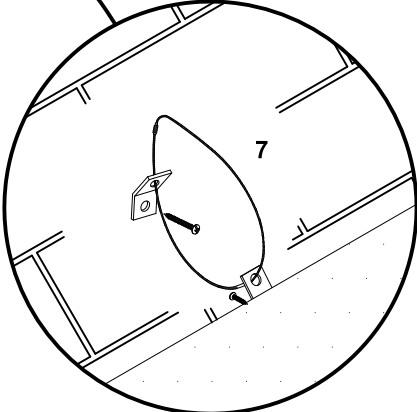
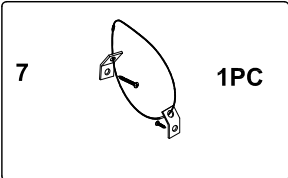
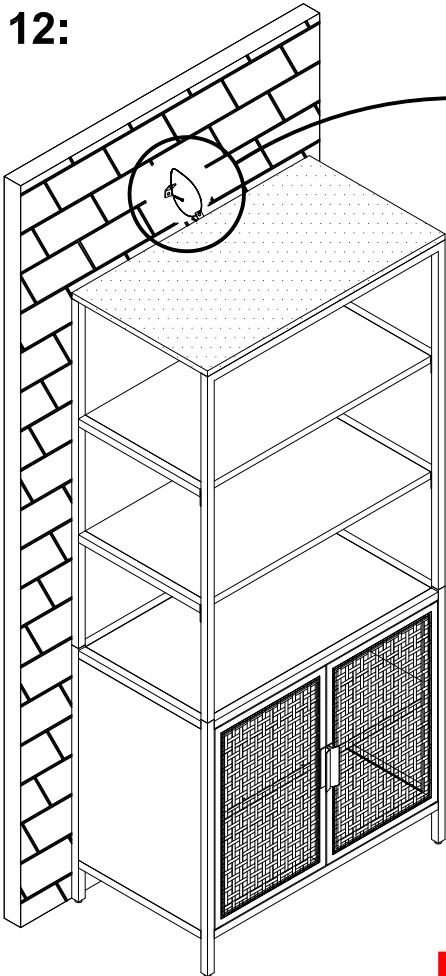


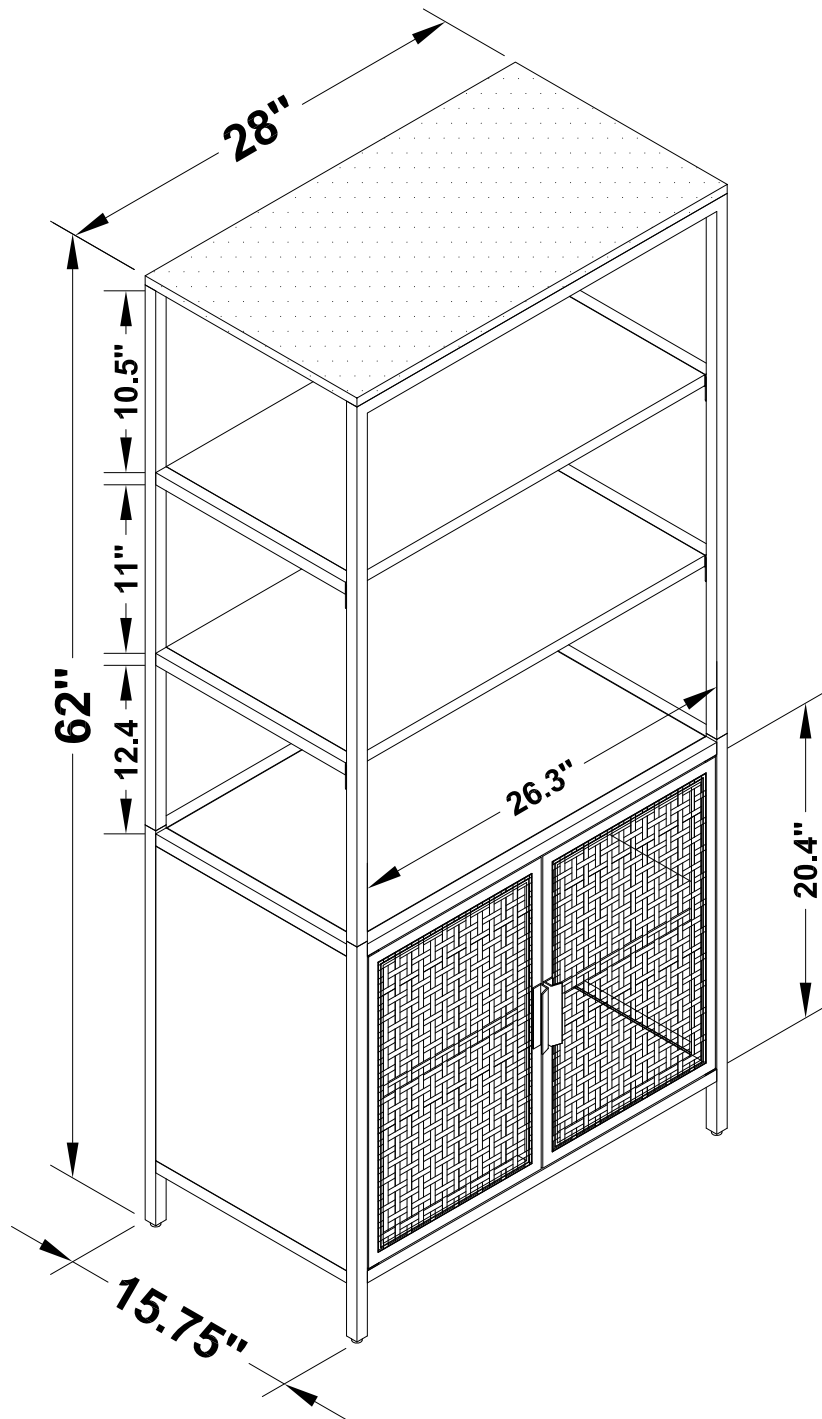
ASSEMBLY INSTRUCTIONS

STEP 11:



STEP 12:





Note : Dimension tolerance $\pm 5\%$