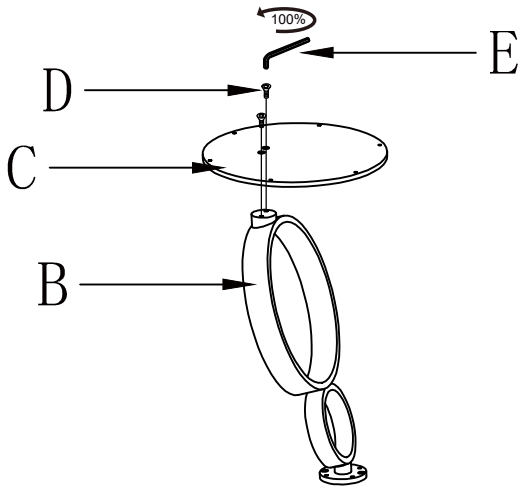


ASSEMBLY INSTRUCTION

Side table

Thank you for purchasing this quality product, be sure to check all the packing materials carefully. when you received, please pay attention to the products, which may cause deformed during the shipment.

Step 1:



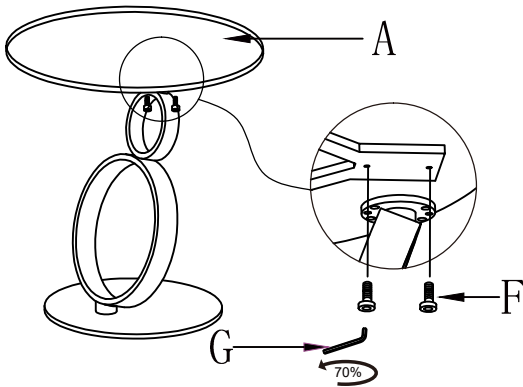
PART LIST:

NO.	Description	Sketch	Quantity
A	Table top		1pc
B	Table pillar		1pc
C	Table base		1pc

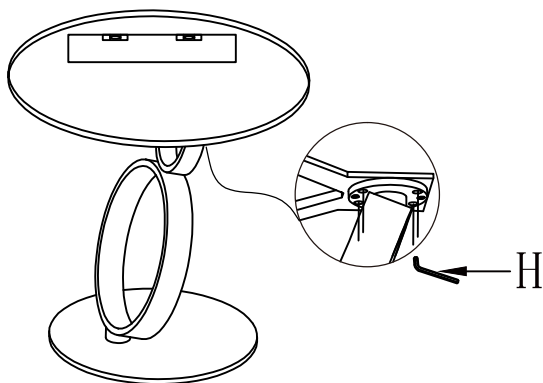
HARDWARE LIST:

NO.	Description	Sketch	Size	Quantity
D	Bolt		M6*15	2pcs
E	Allen key		4mm	1pc
F	Bolt		M6*10	2pcs
G	Allen key		5mm	1pc
H	Allen key		3mm	1pc

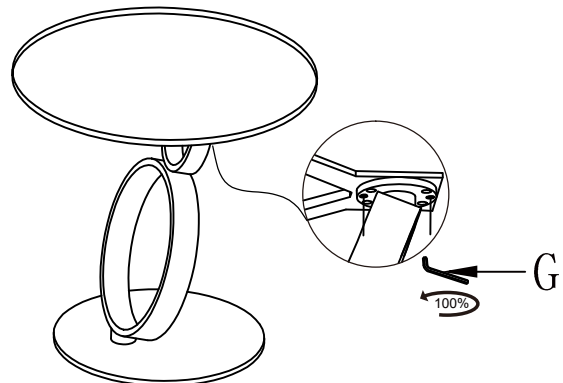
Step 2:



Step 3:



Step 4:



ASSEMBLY INSTRUCTION

Thank you for your purchasing this quality product. Be sure to check all packing material carefully for small parts that may have loose inside the carton during shipment.

Finish:

