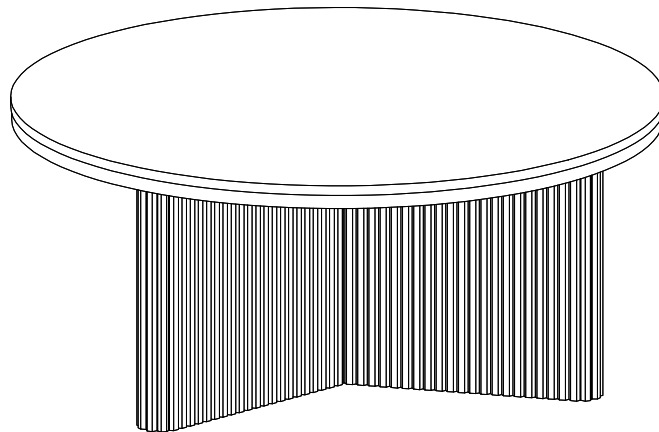


ASSEMBLY INSTRUCTIONS

SKU:D3006CFT (1pc x carton)

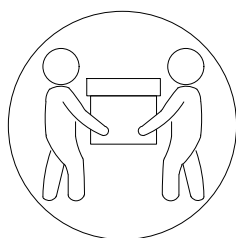
Thank you for purchasing our product.

We appreciate your trust and hope you enjoy your new furniture.

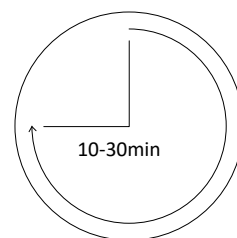


Notice:

1. Place a protective mat or cloth on the floor to prevent scratches.
2. Follow these assembly instructions. Make sure all parts and hardware are included before starting.
3. Do not fully tighten the bolts during assembly. Tighten them only after all parts are properly aligned.
4. If you have any questions, please contact our customer support team or call us directly at (909) 543-8491.

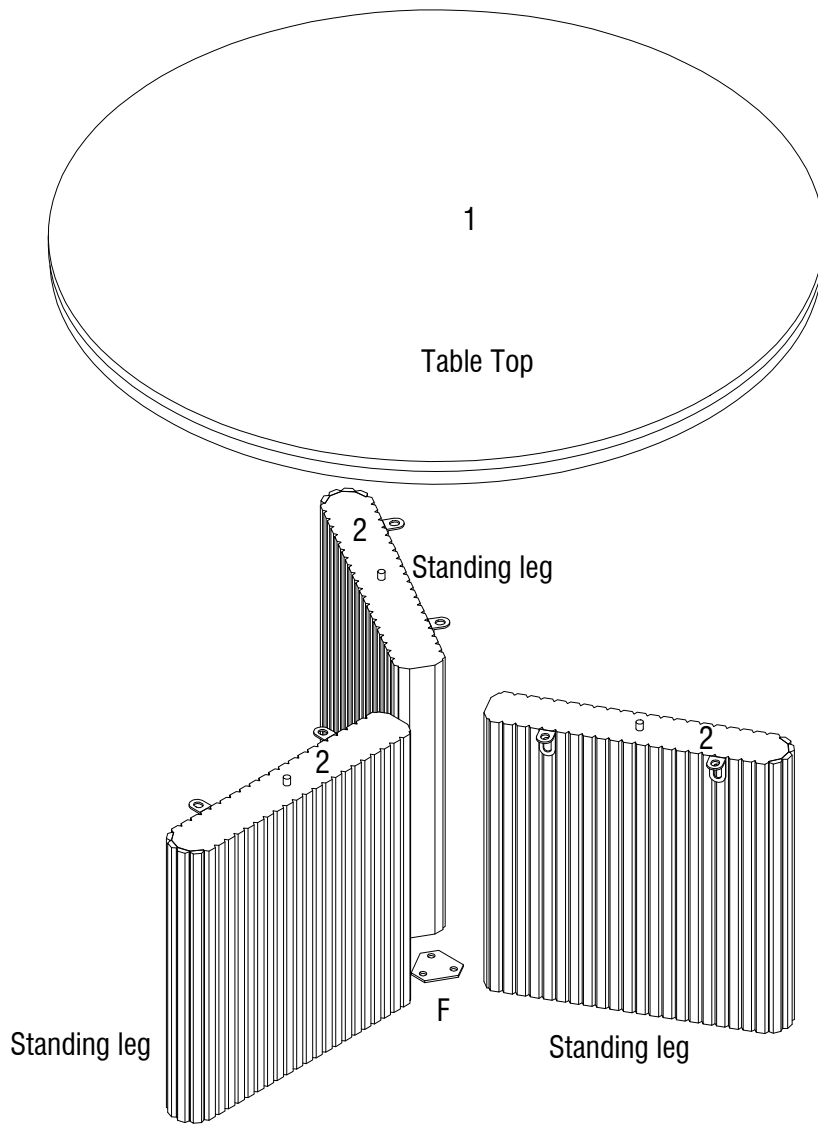


Recommended Assembly: 2 people

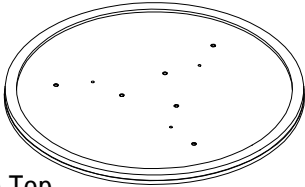


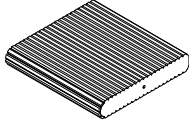
Estimate installation time

Assembly Explosion Diagram

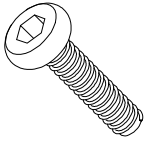





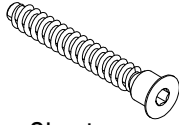

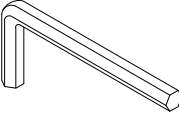
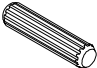
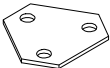
Accessories List

Item no.	Reference Image	Qty
1	 Table Top	1

Item no.	Reference Image	Qty
2	 Standing leg	3

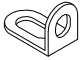
Hardware List


Item no.	Reference Image	Qty
A	1/4"*10  Bolt	6
	1/4"  Spring Washer	6
	1/4"*12  Flat Washer	6
B	32*22*18  Bracket	6

Item no.	Reference Image	Qty
C	M7*35  Connecting Iron Sheet	9
	Ø7*12  Flat Washer	6
D	4  Allen Key	1
E	Ø8*30  Wood Dowels	3
F	59*51*2.5  Connecting Iron Sheet	1


Assembly Instructions

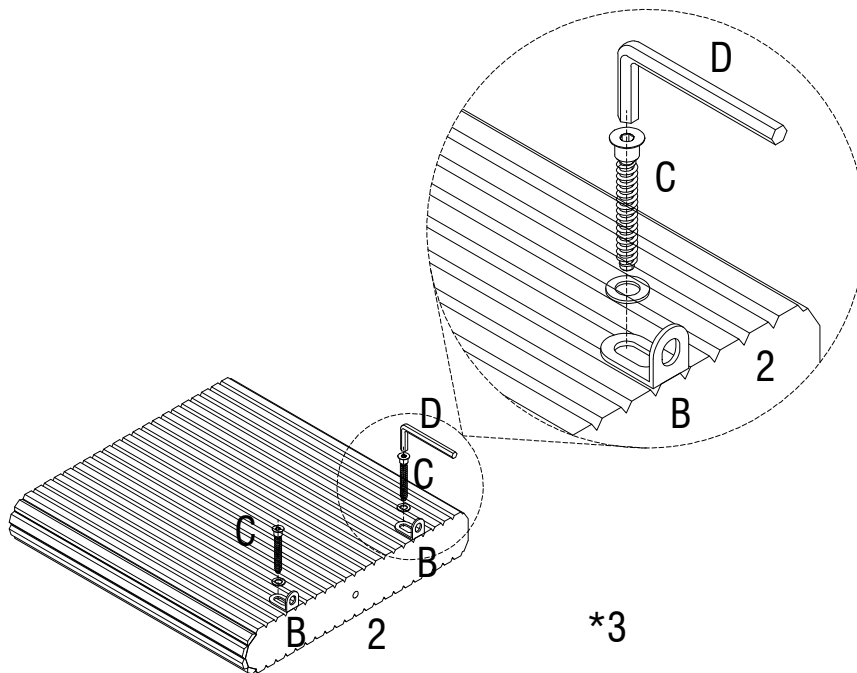
1


B 6 pcs


C 6 pcs


6 pcs

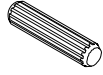

D 1 pc



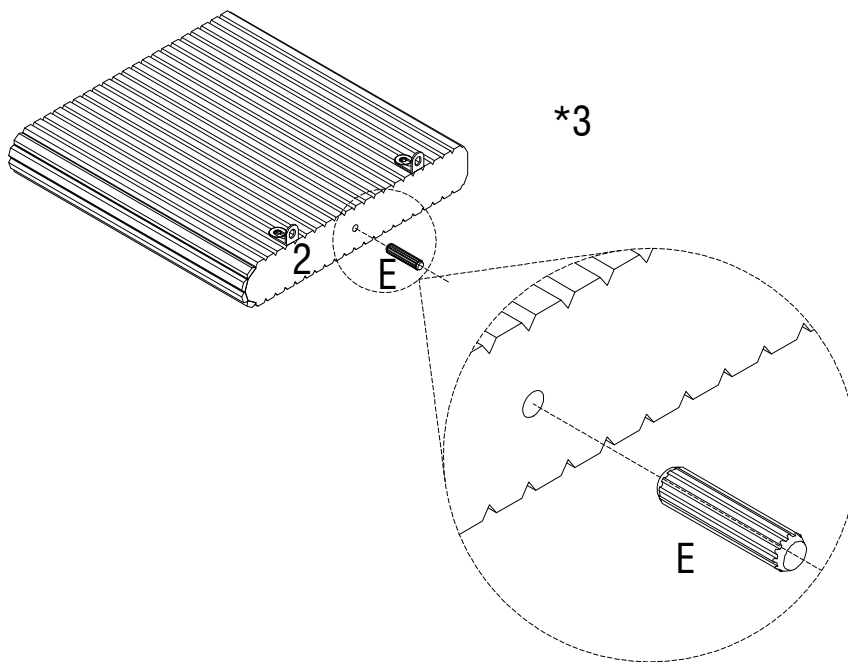
Align the Bracket (B) with the hole position of Leg (2), and use Allen Key (D) to tighten Screw, Flat Washer (C).

Assembly Instructions

2



E 3 pcs



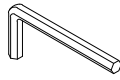
Insert wood Dowels (E) into standing Leg (2) .

Assembly Instructions

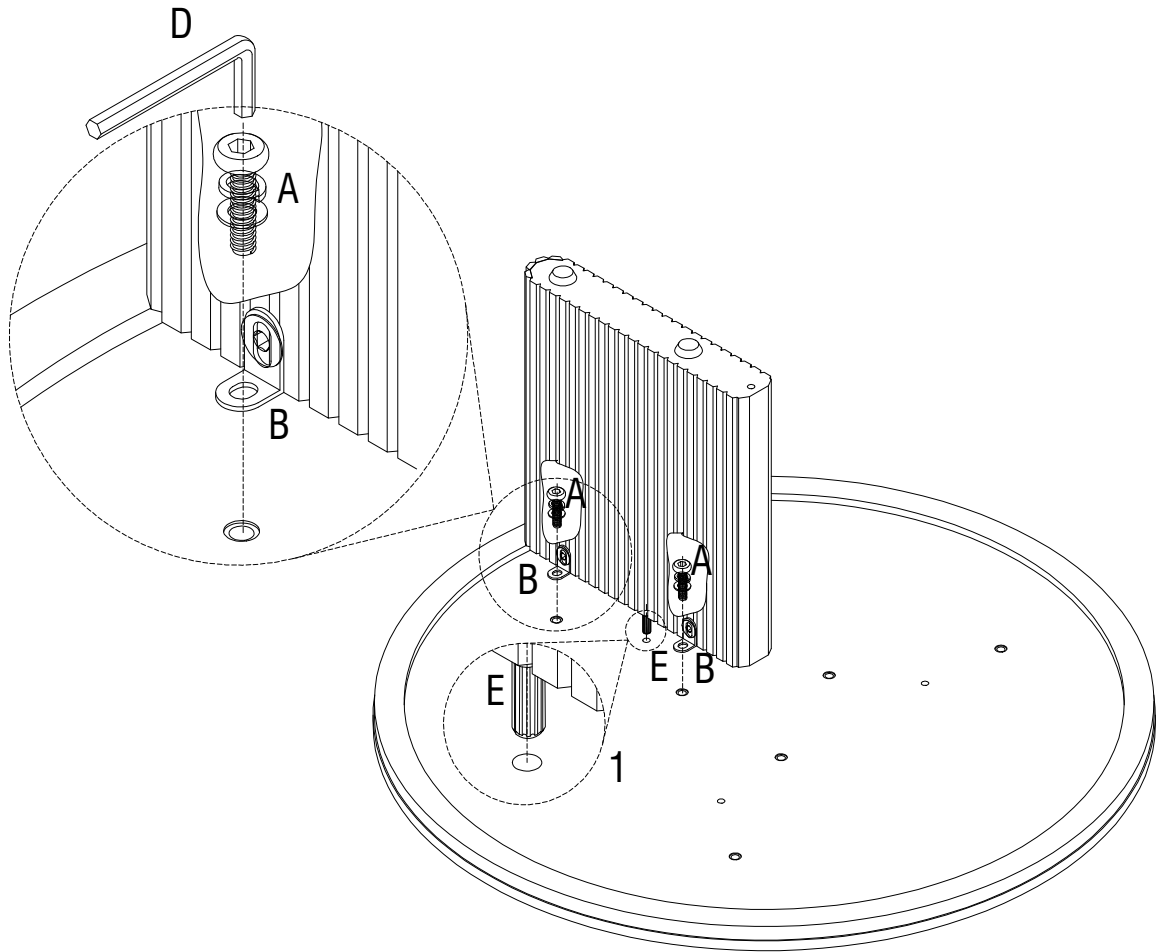
3



A 6 pcs



D




Align the Bracket (B) with the hole position of table Top (1), and use Allen Key (D) to tighten Bolt (A) Spring Washer Flat Washer .

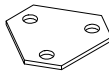
Don't lock it too tightly

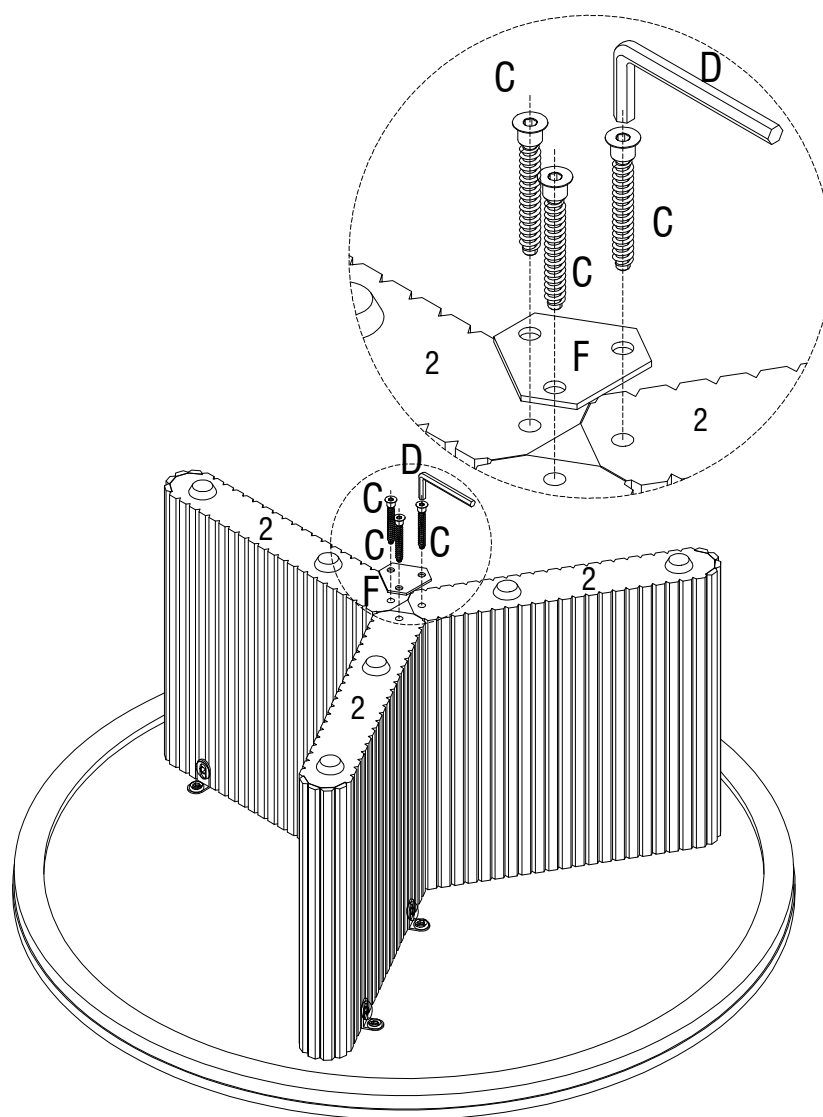
Assembly Instructions

4


C 3 pcs

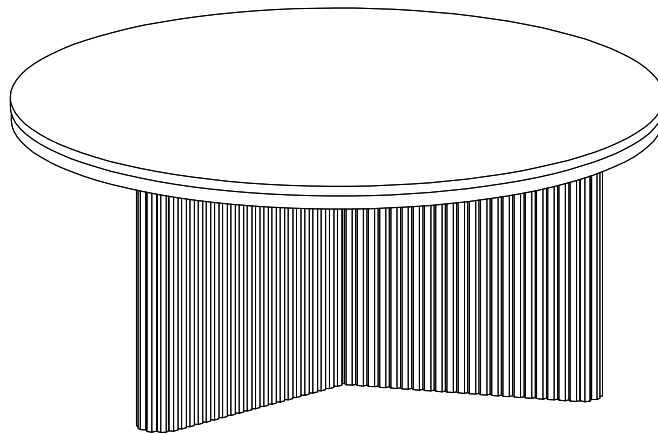

D


F 1 pc



Align the connecting iron piece with the hole on Standing leg (2), and use Allen Key (D) to lock Screw (C) onto Standing leg (2), Don't lock it too tightly at first. Move Standing leg (2) and adjust it to the appropriate position, then tighten all the hardware components.

Complete



General care and maintenance.

Clean with a damp cloth and mild detergent only. Do not use bleach or abrasive cleaners.

Wipe up spills immediately to prevent staining.

Avoid cleaning products that contain acetone (e.g., nail polish remover), ammonia, or sodium hydroxide (e.g., drain or oven cleaners).

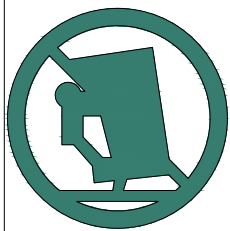
If the product comes into contact with any harsh chemicals, rinse thoroughly with clean water.

Check all screws periodically and re-tighten if necessary.

Dispose of the product responsibly — do not discard with household waste. Contact your local waste disposal center for proper recycling.



WARNING



Never allow children to climb or hang on the table.
Do not place heavy objects on the tabletop, as this
may cause tipping or damage.