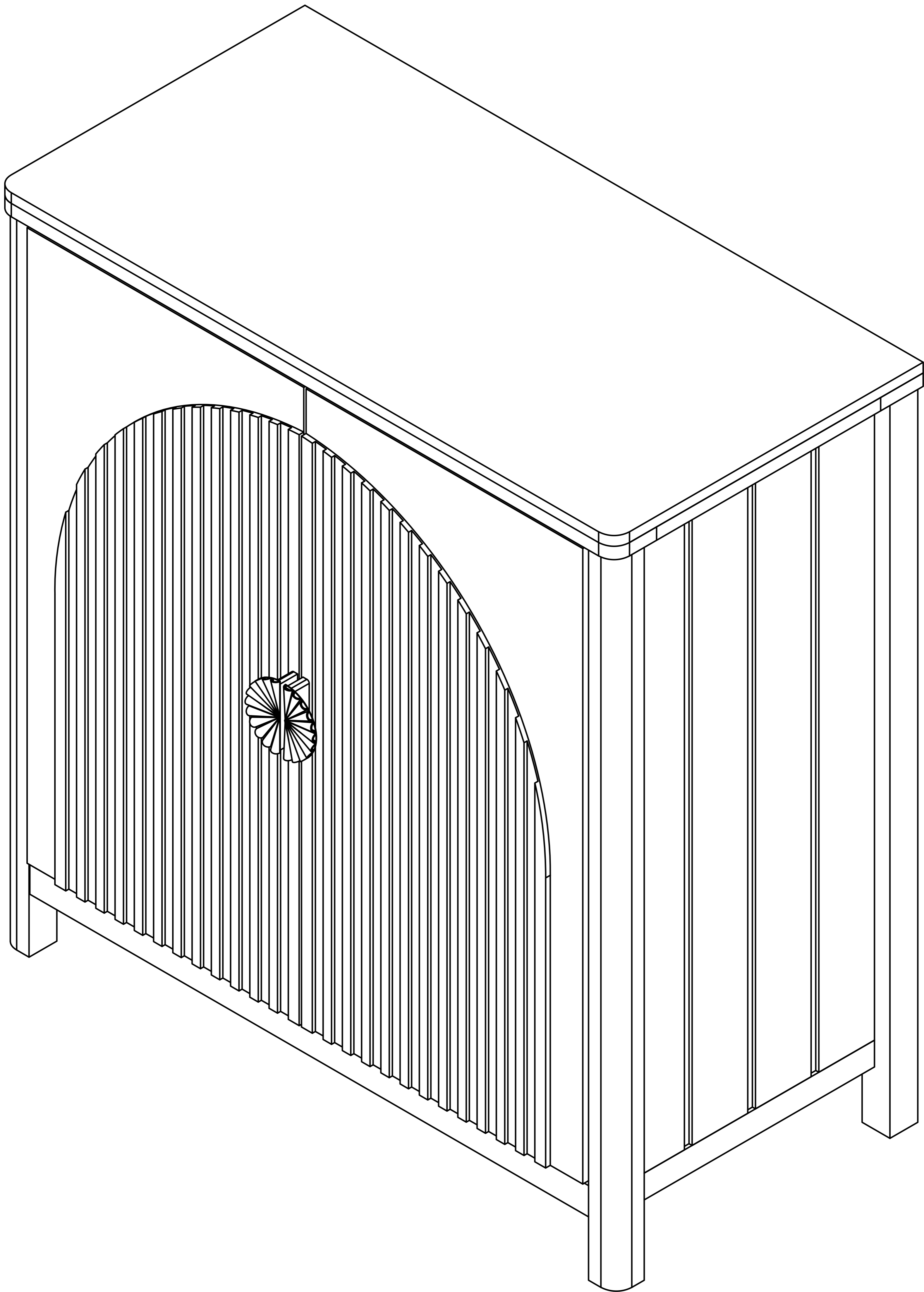
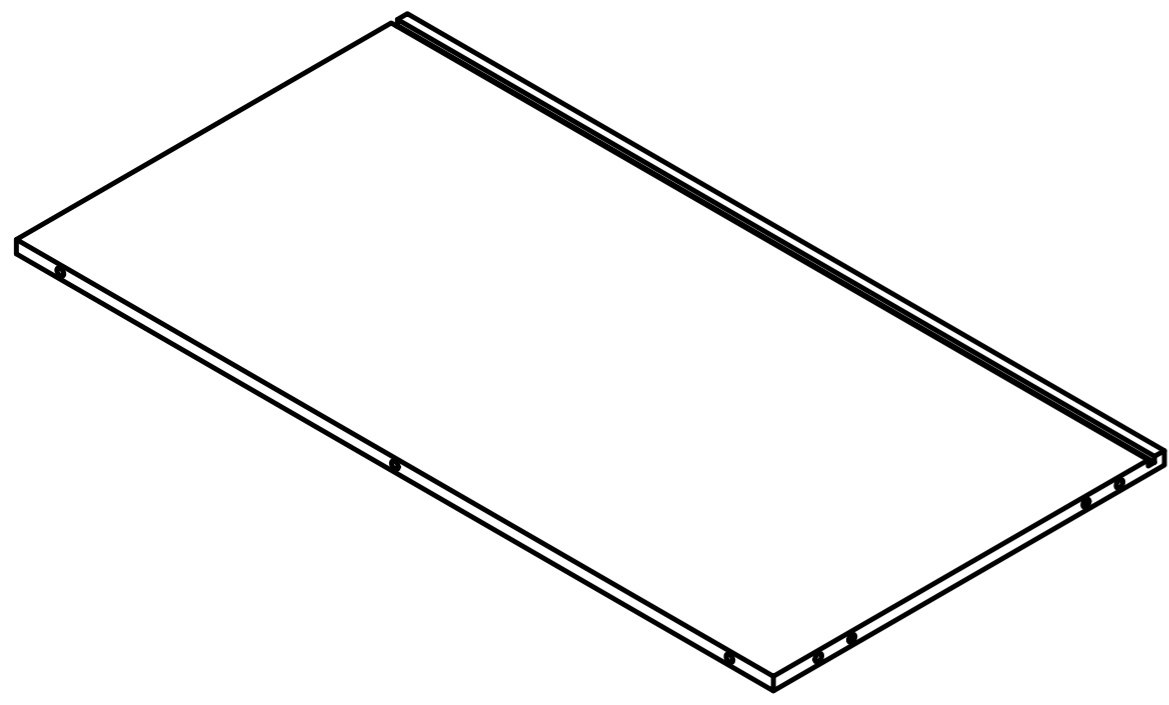
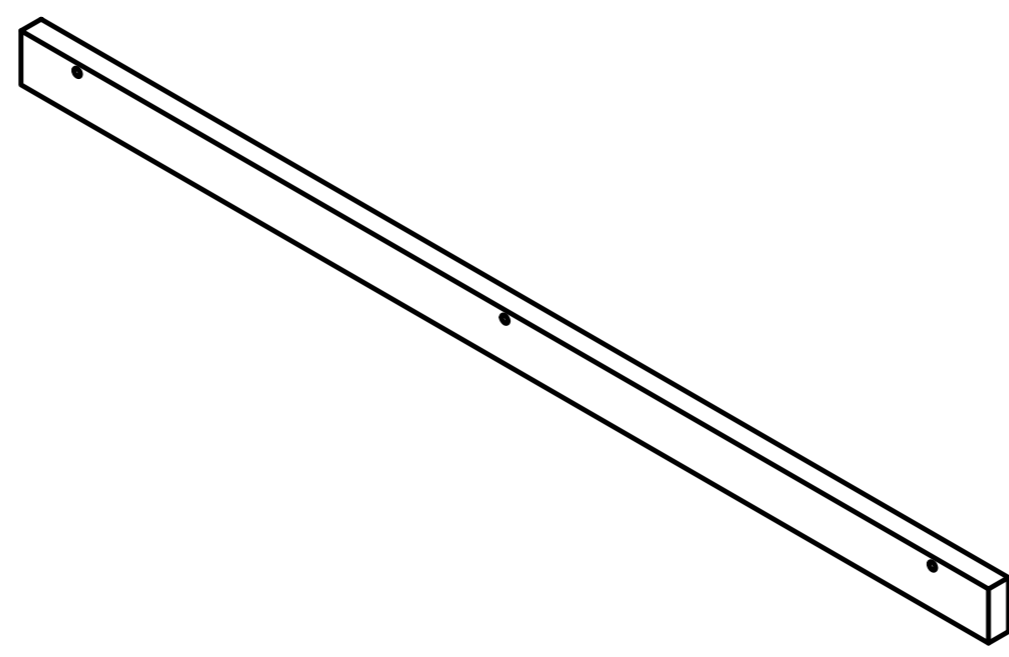


Product Installation Instructions





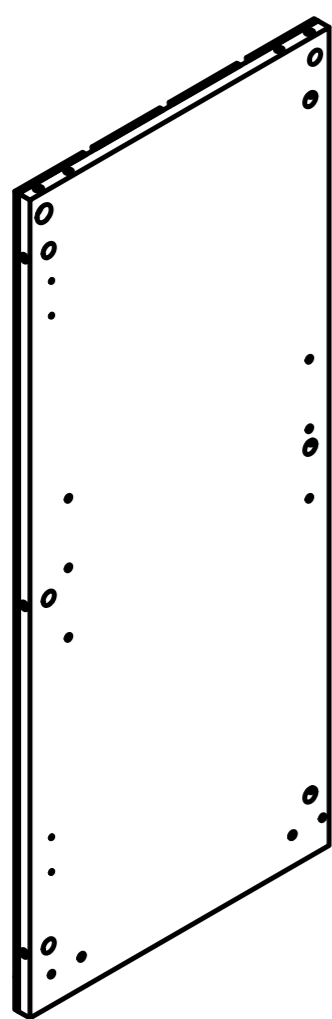
Ax1



Bx1



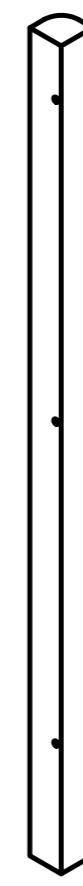
Cx1



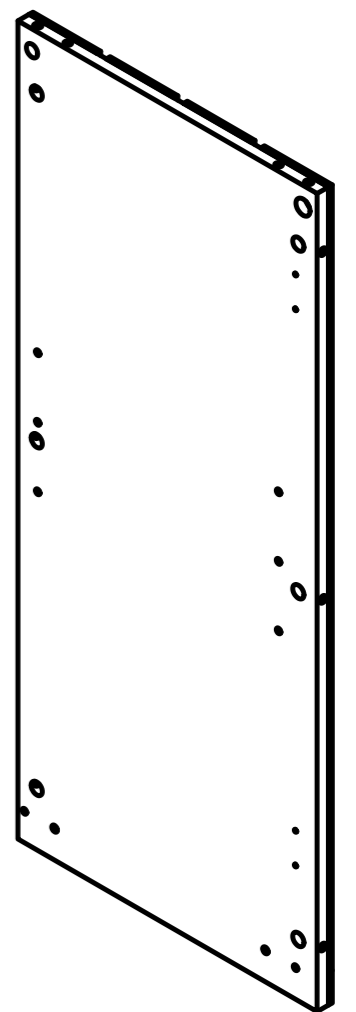
Dx1



Ex1



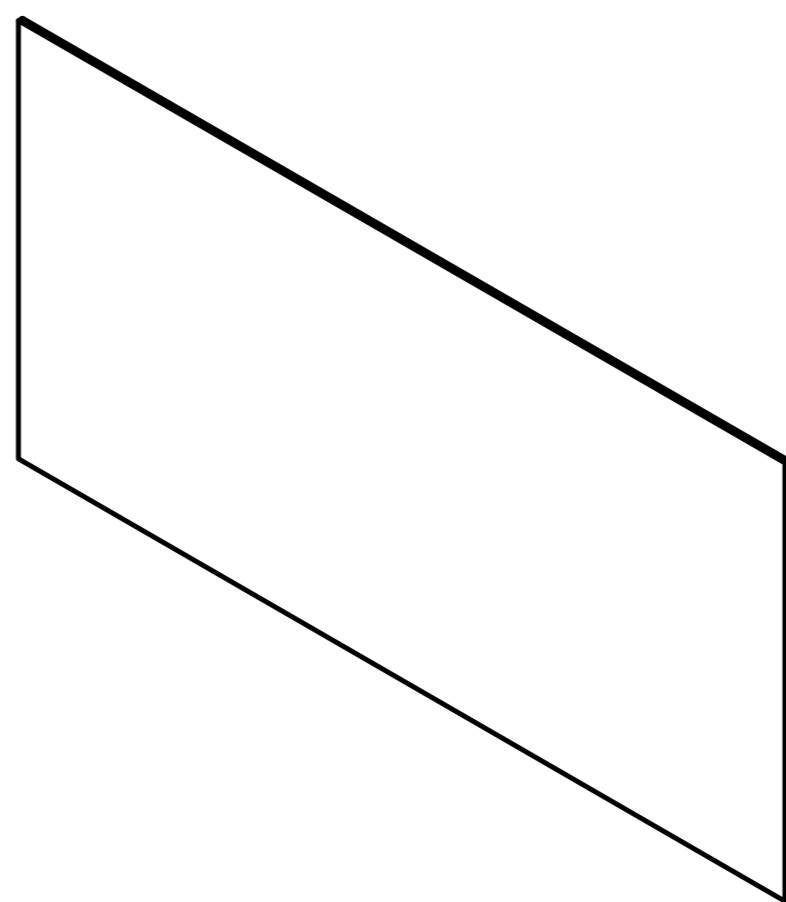
Fx1



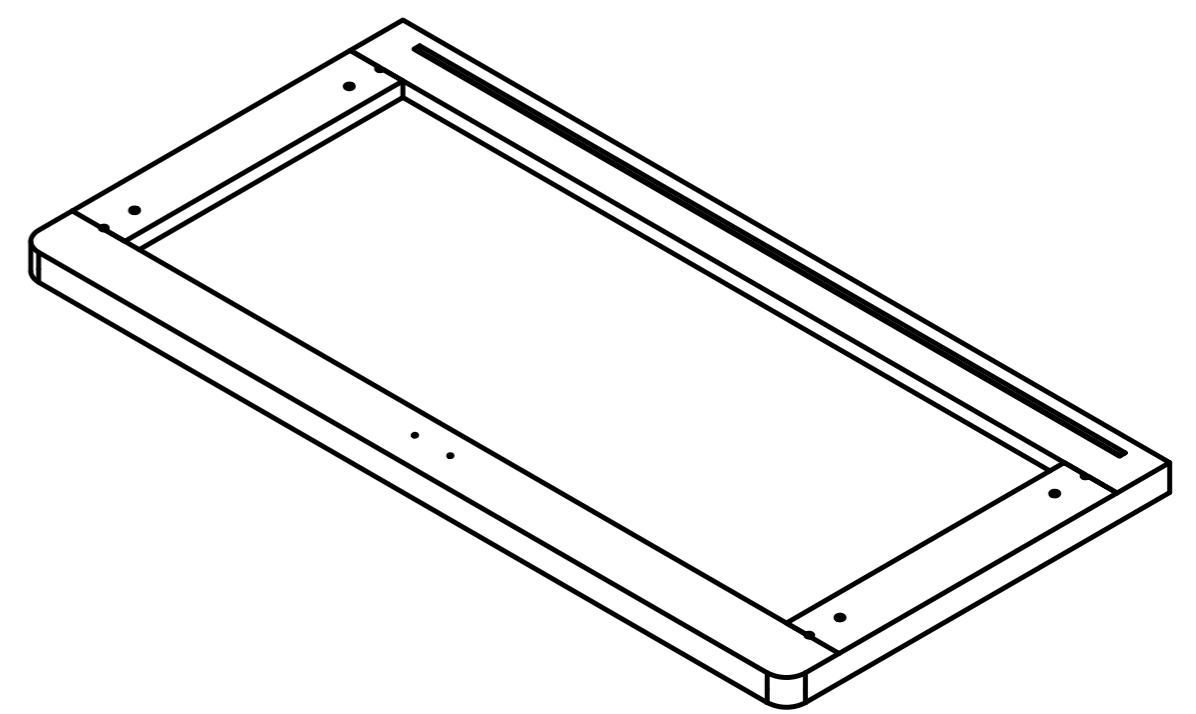
Gx1



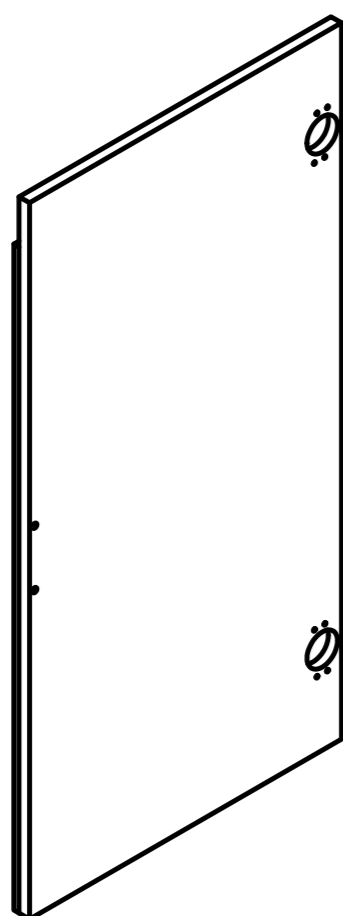
Hx1



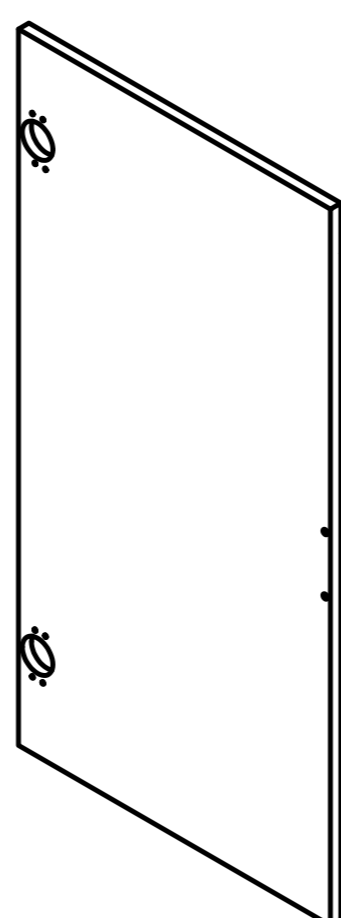
Ix2



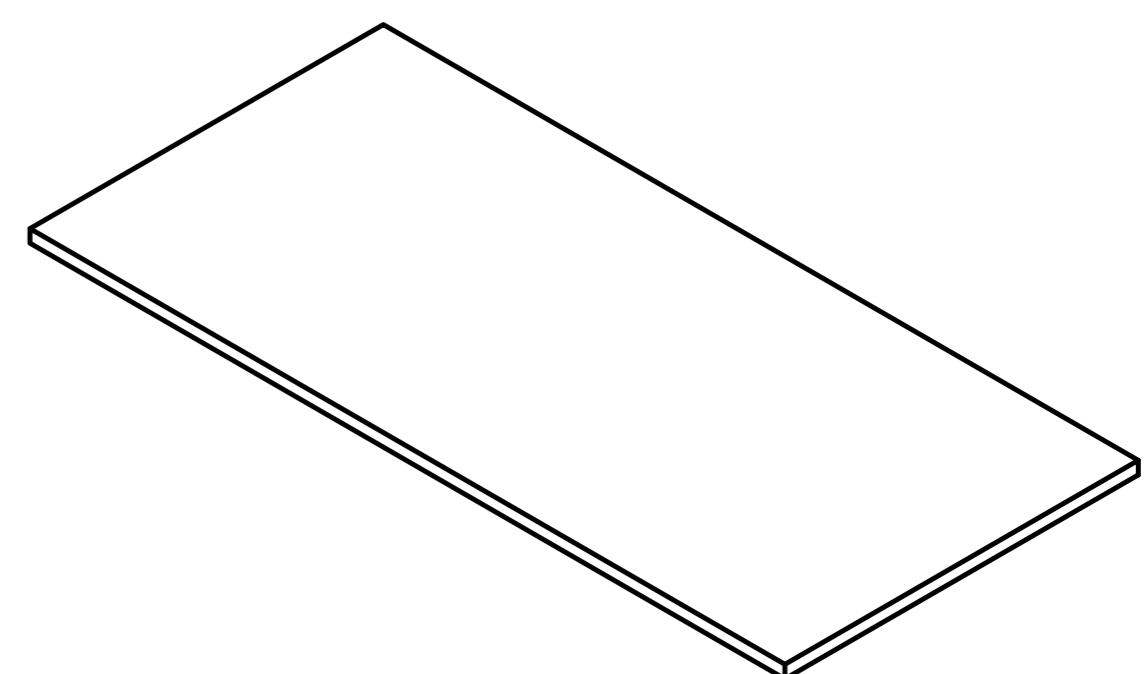
Jx1



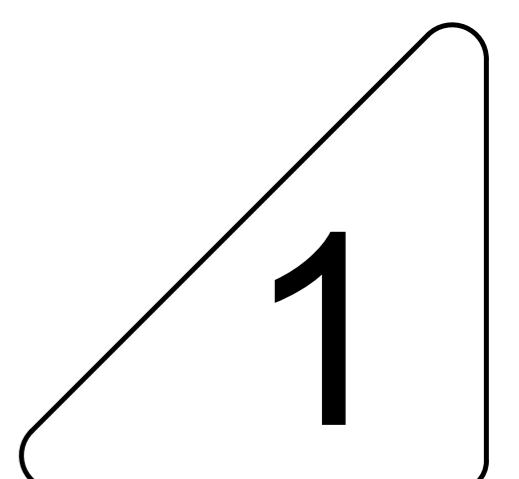
Kx1



Lx1

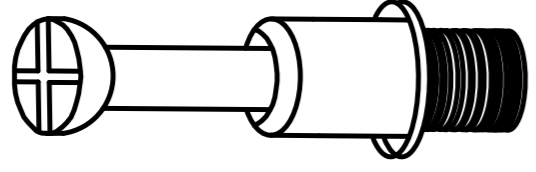
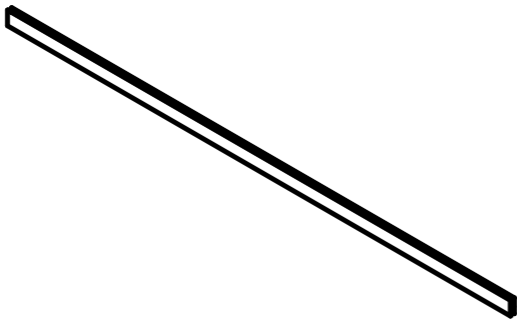
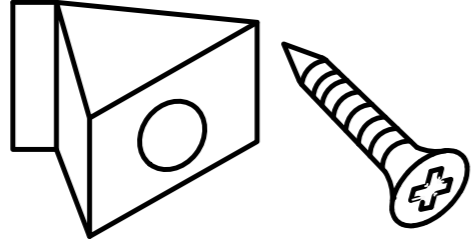


Mx1

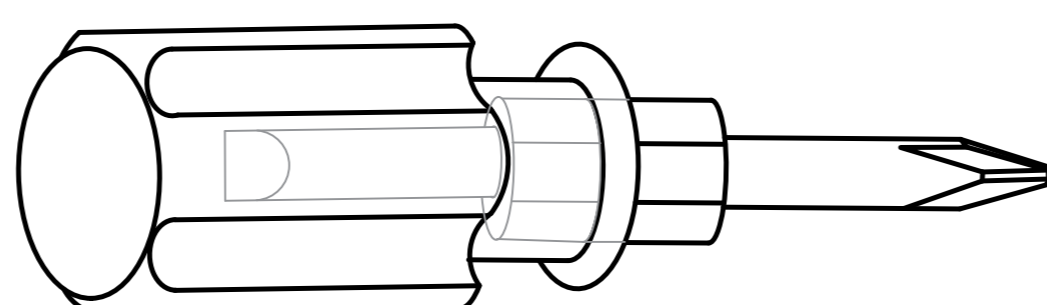


1

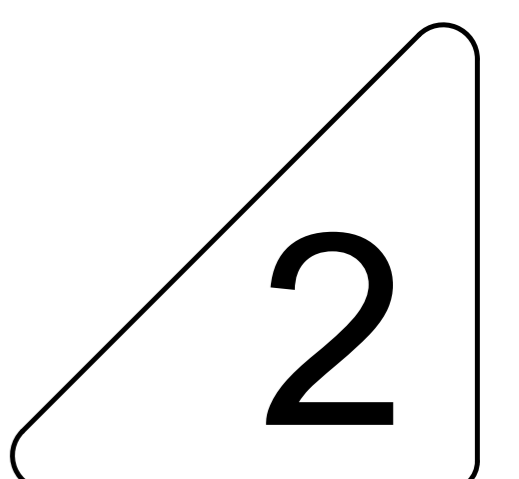
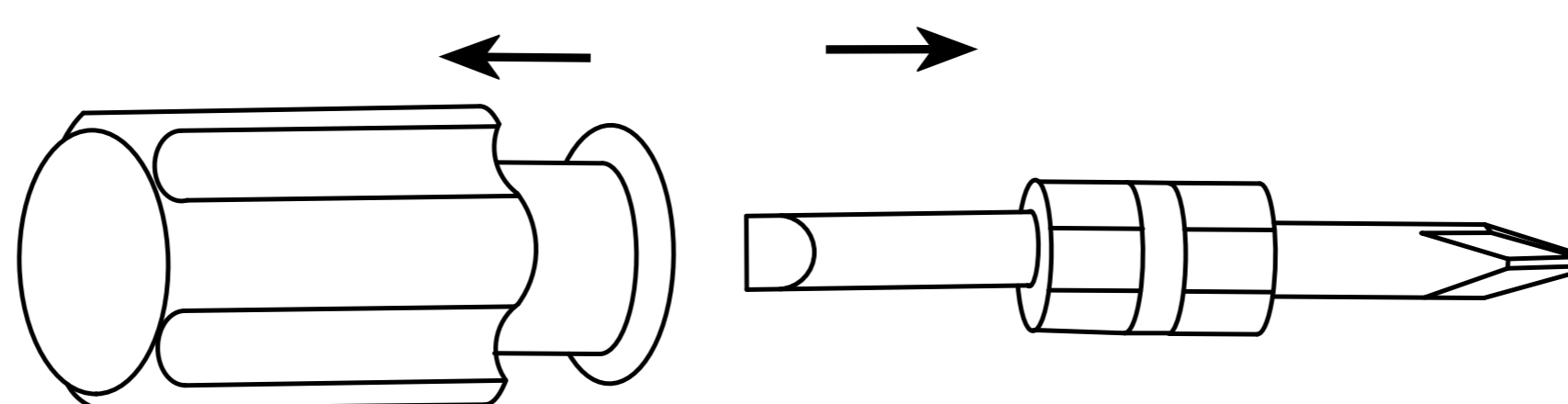
Accessories list

①		Two in one screw (6x28mm)	23pcs +3pcs
②		Two in one nut (10x12mm)	23pcs +4pcs
③		Wood chipping (6x30mm)	8pcs +2pcs
④		Handle & Screw (4x22mm)	4pcs +1pcs 2pcs
⑤		Non-slip pads (25x25)	4pcs +2pcs
⑥		Backboard card strip (722mm)	1pcs
⑦		Fixing clip & screw (3x16mm)	12pcs +2pcs
⑧		Laminate Support Nail	4pcs +1pcs
⑨		Hinge & Screw (3.5x12mm)	24pcs +4pcs 4pcs
⑩		Magnetic attraction Screw (3x14mm)	2pcs +1pcs 1pcs

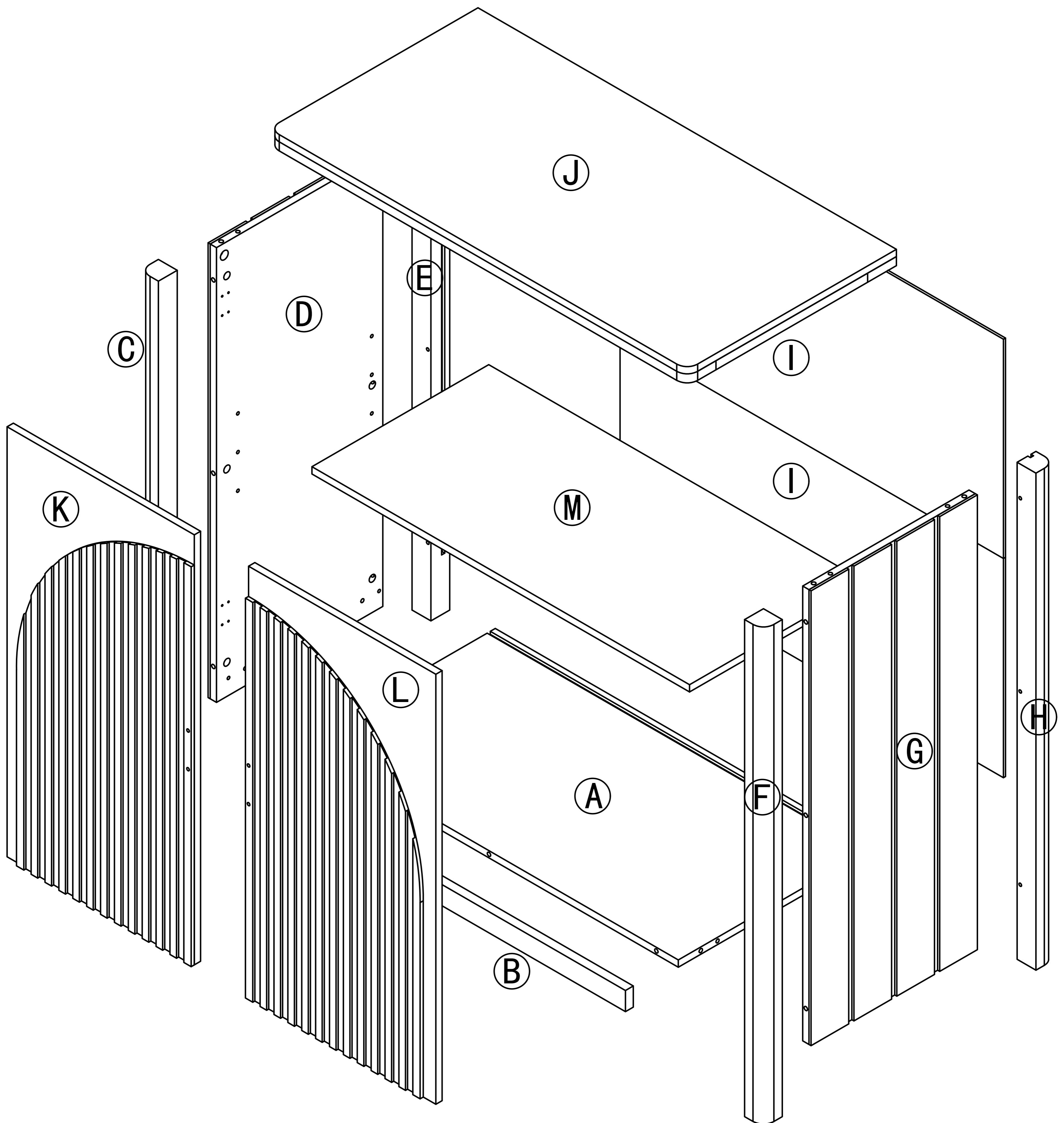
Double-head screwdriver, use as required



1 pcs

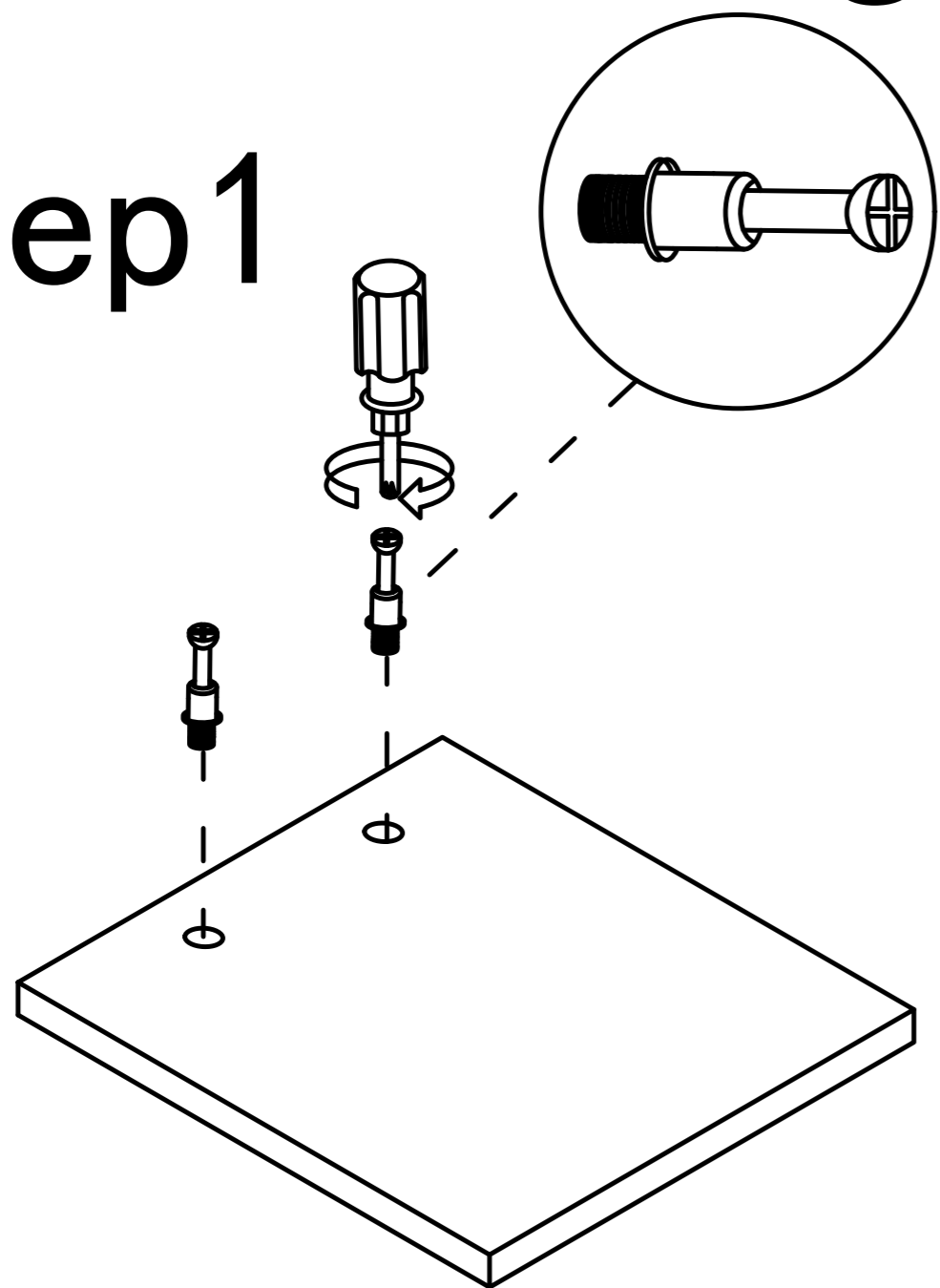


Product structure decomposition

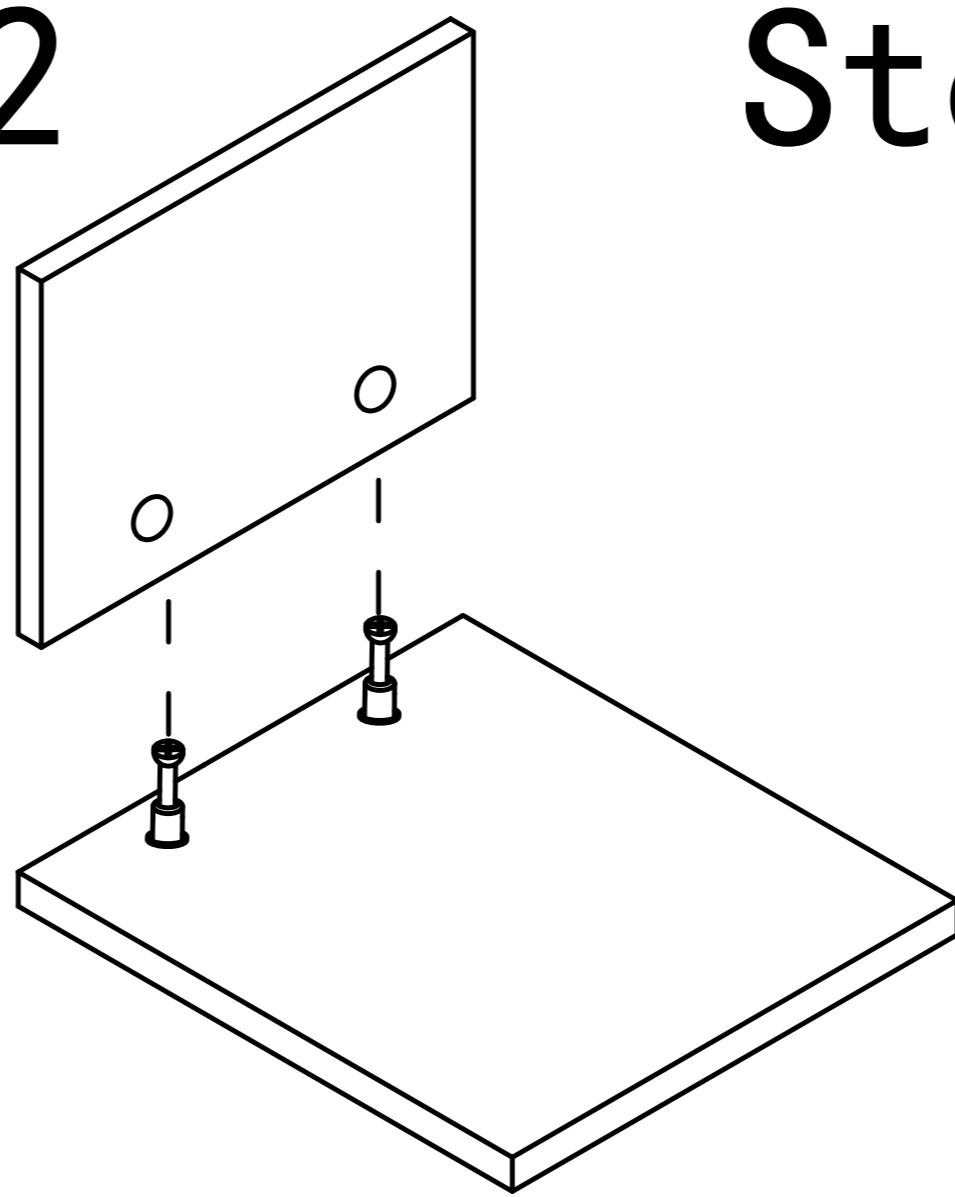


Use parts ① and ②

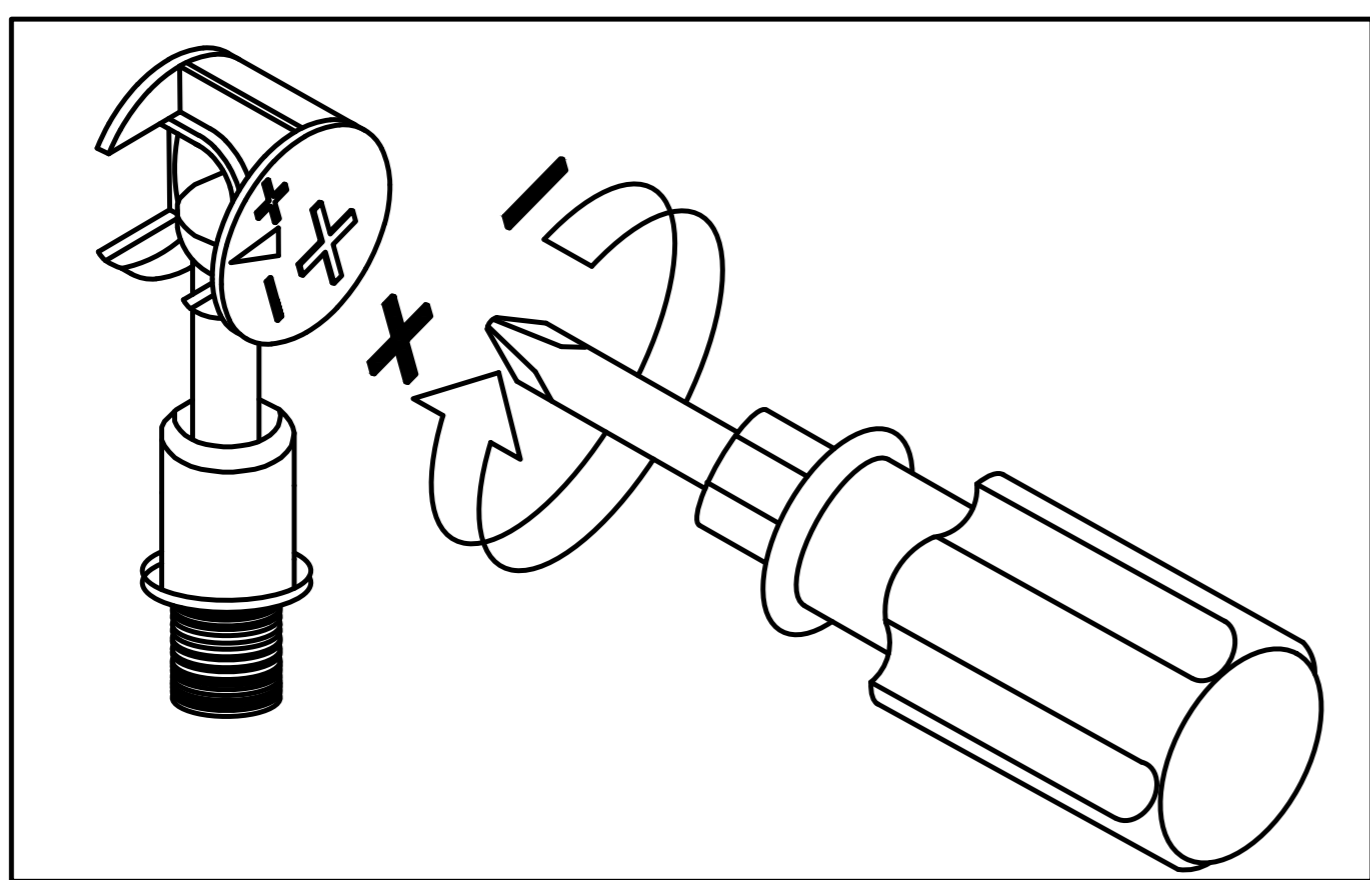
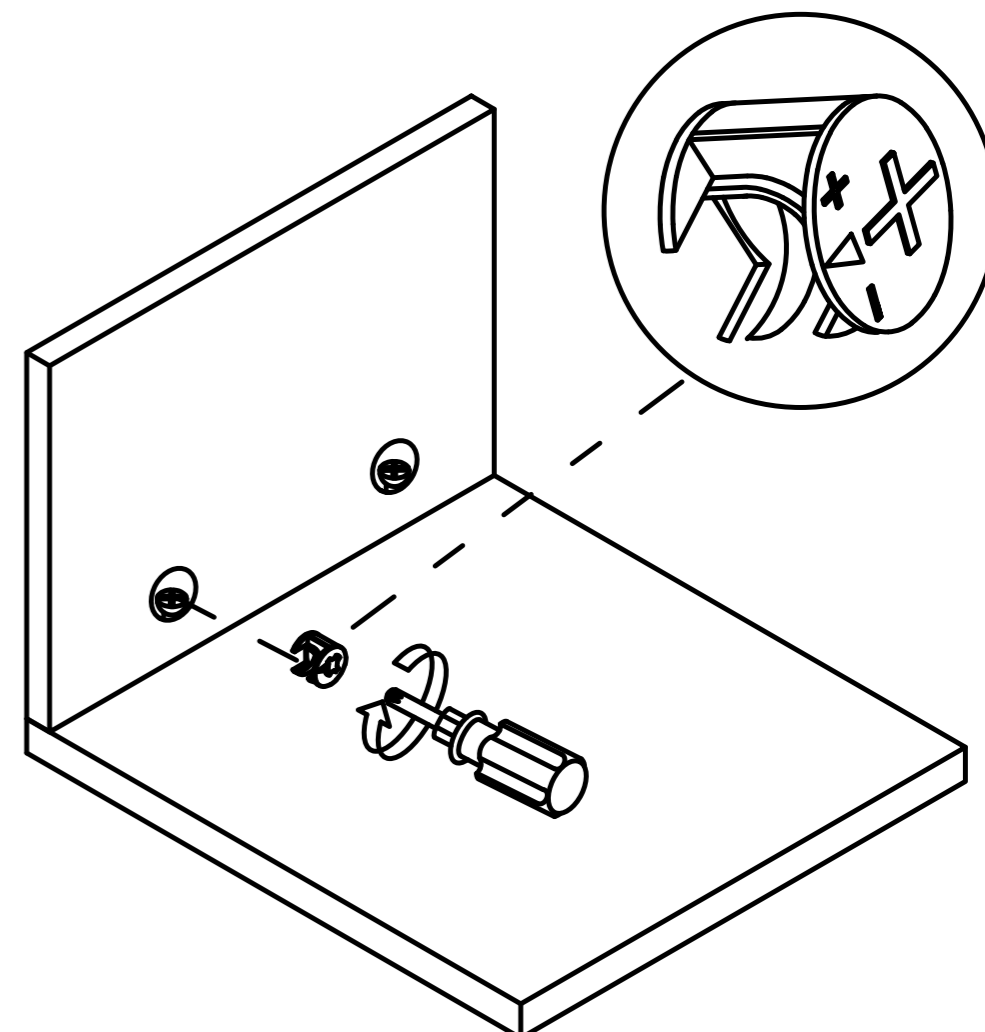
Step 1



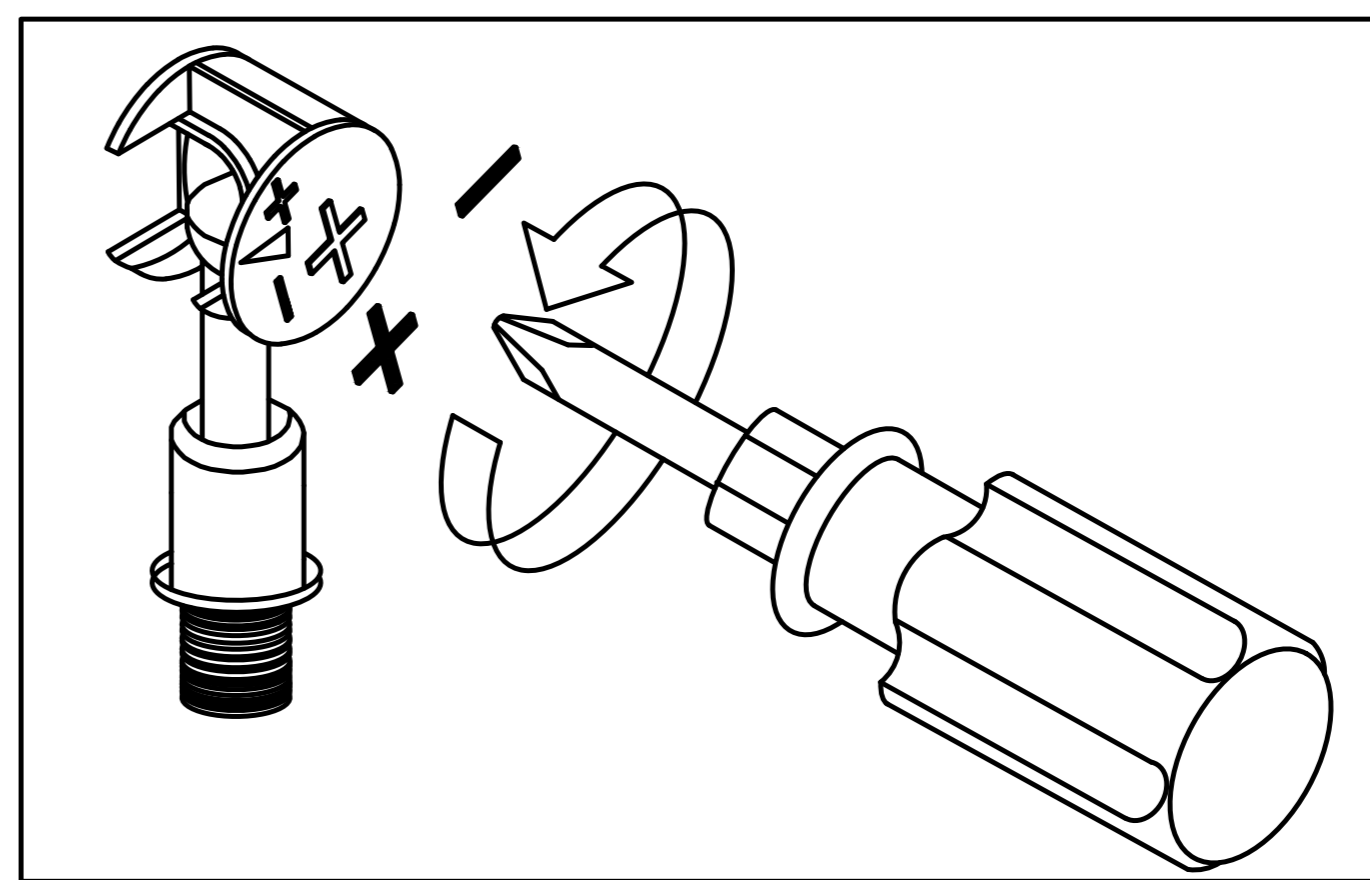
Step 2



Step 3

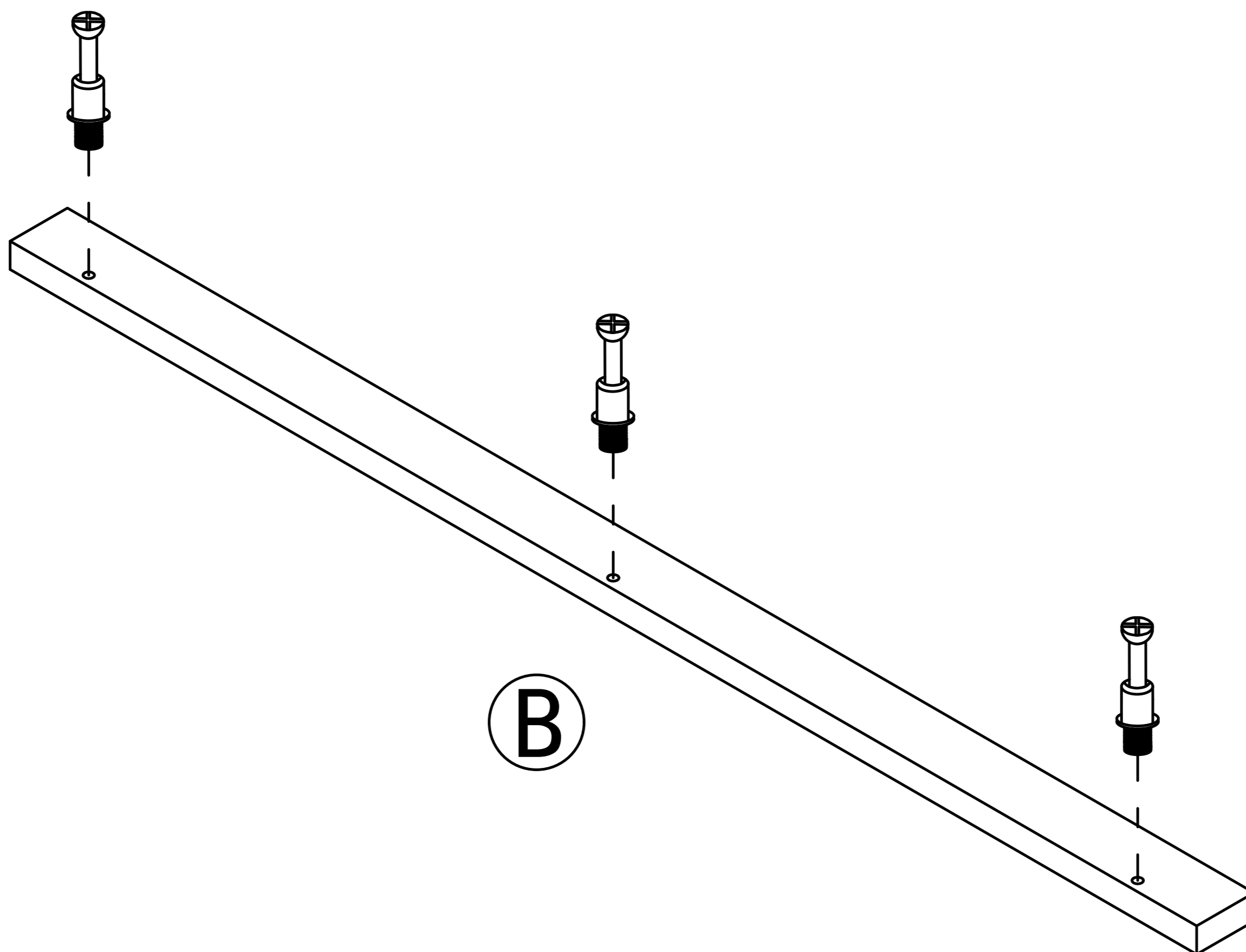
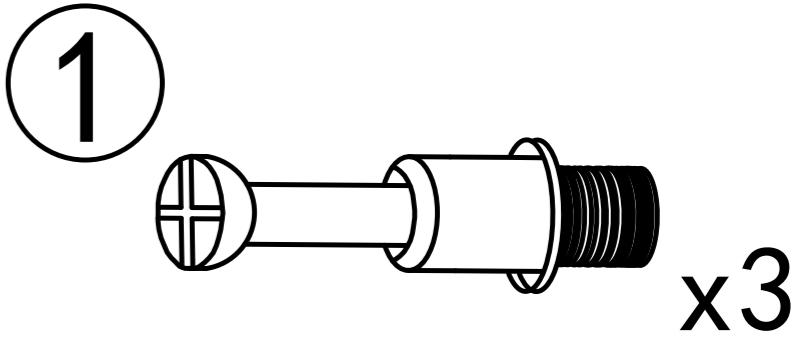


Use a screwdriver to lock in the direction of the "+" sign

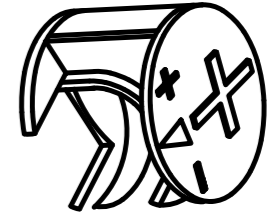


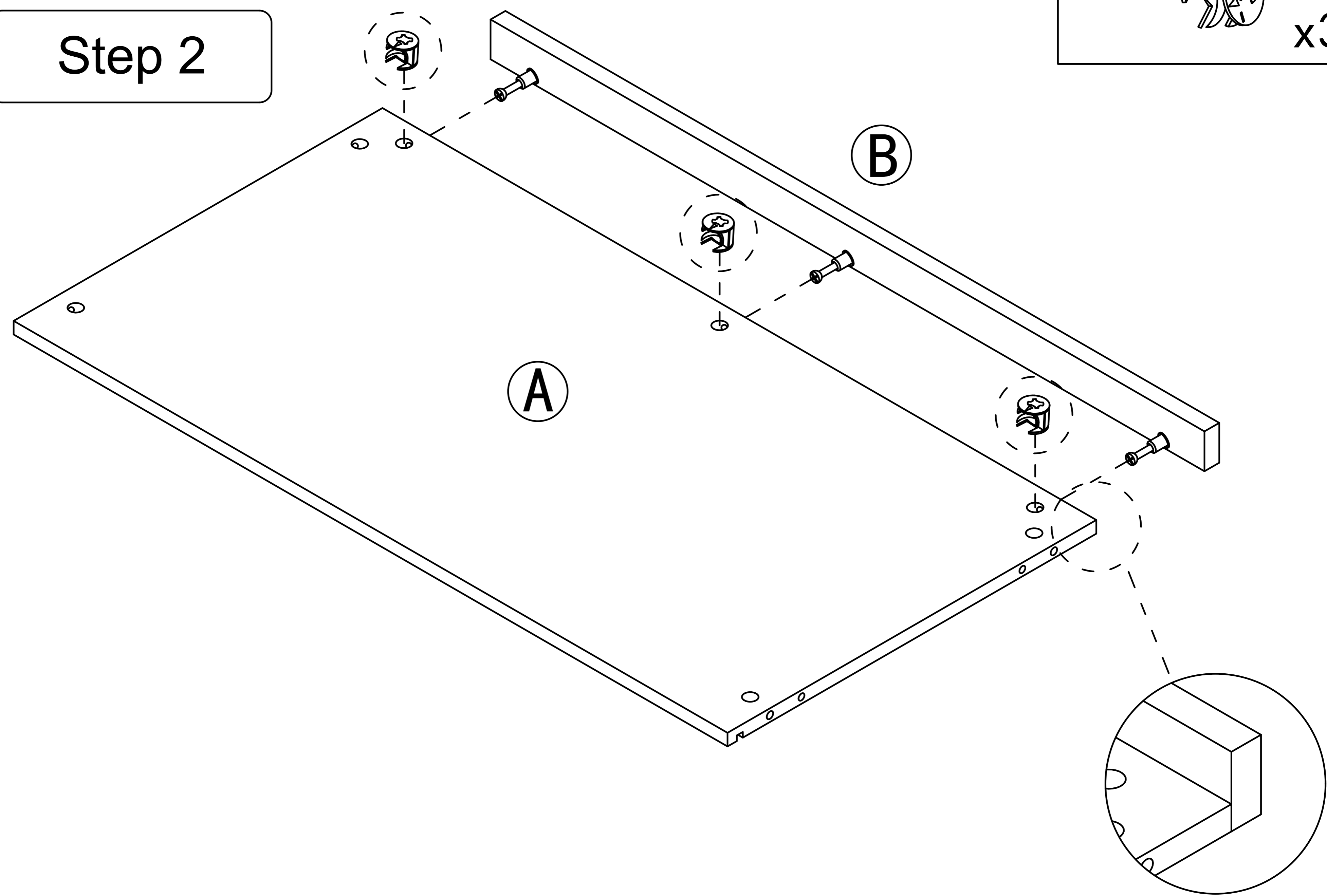
Disassemble along the direction of "-" sign

Step 1

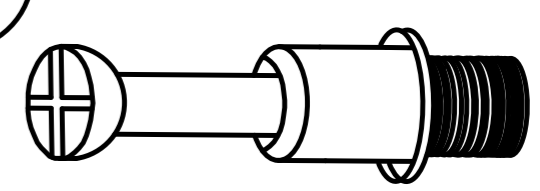


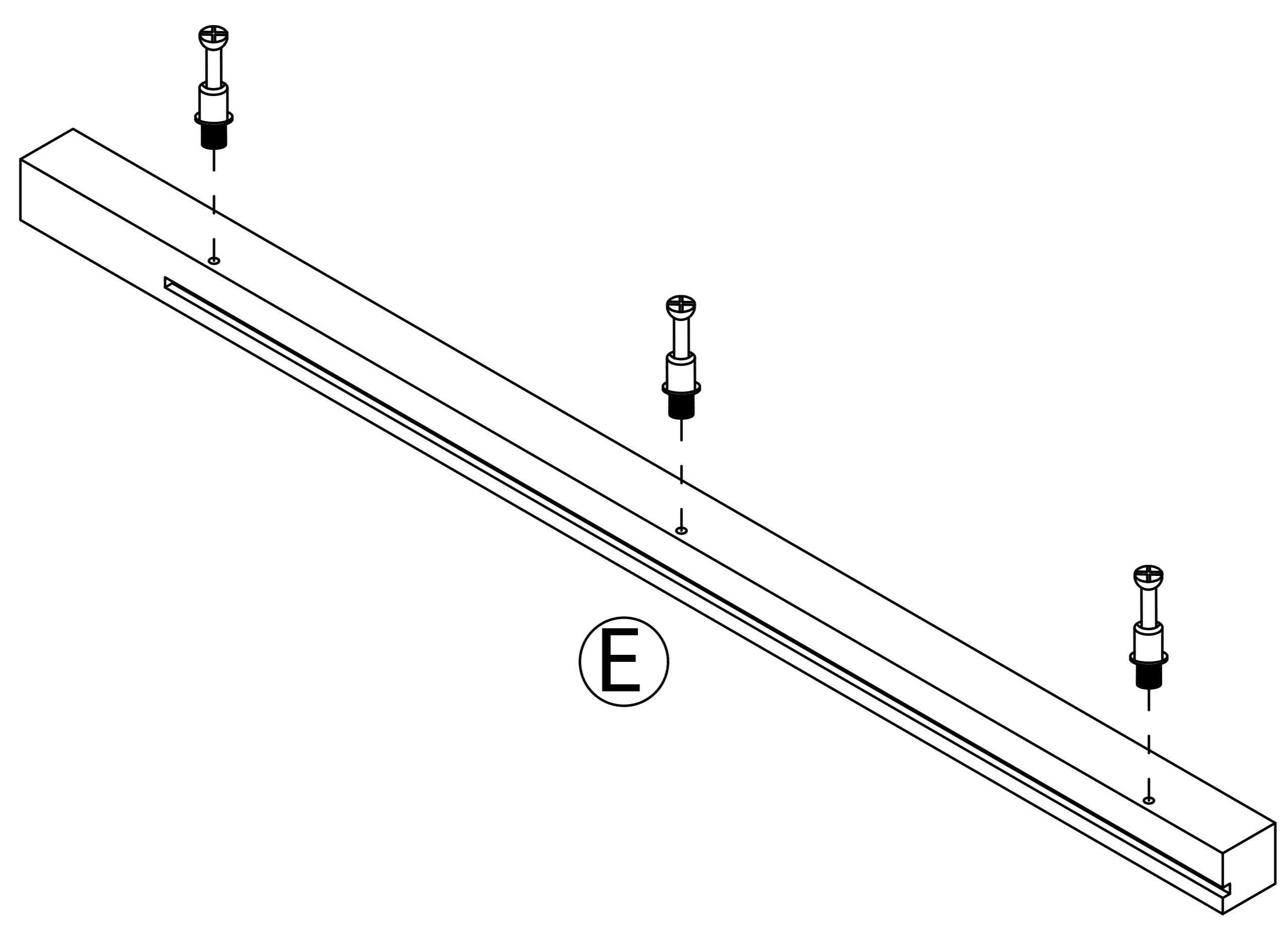
Step 2

2  x3



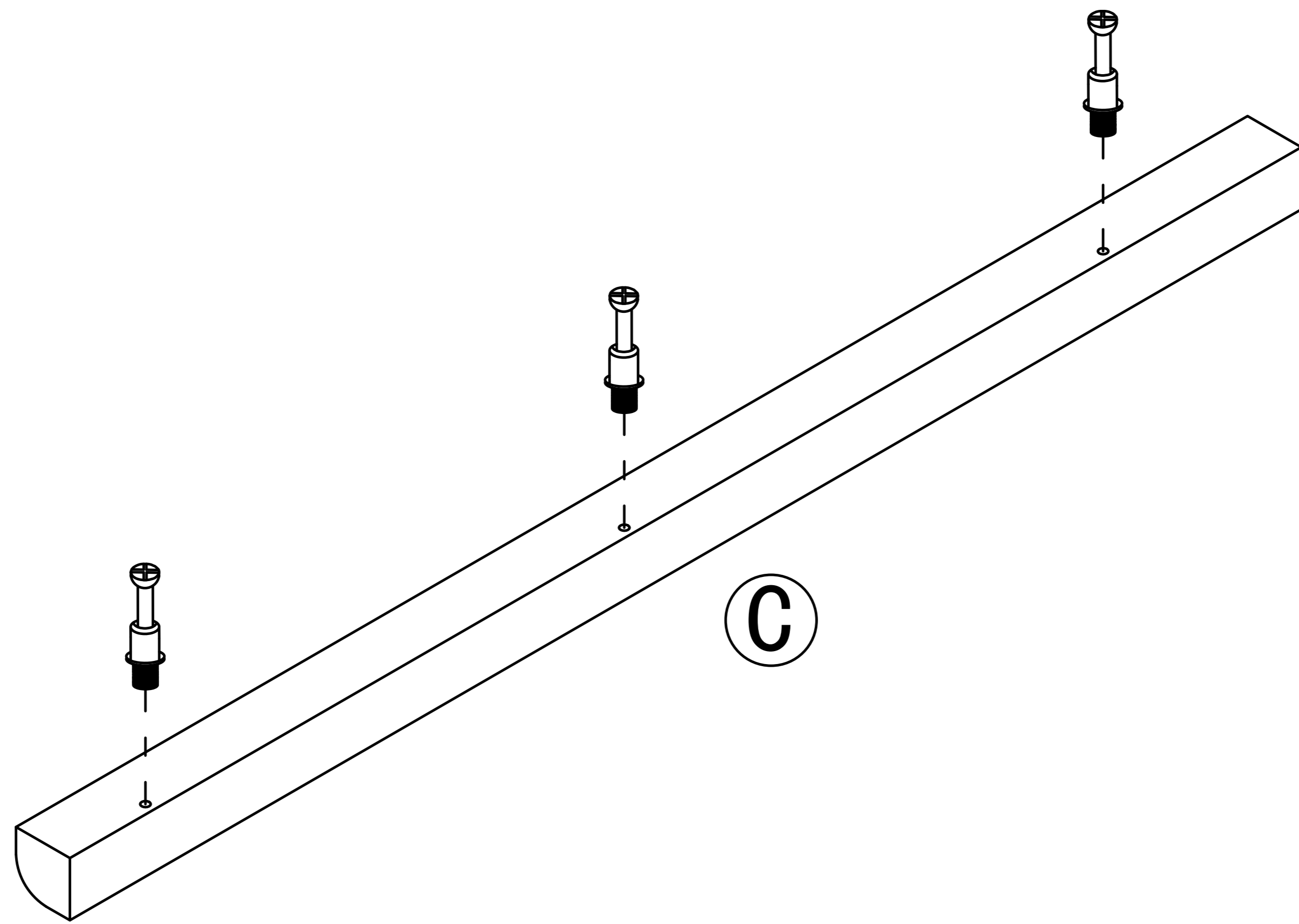
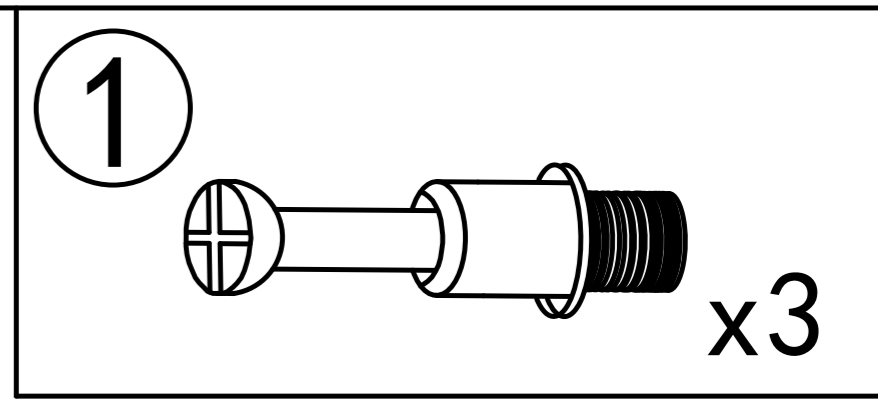
Step 3

1  x3

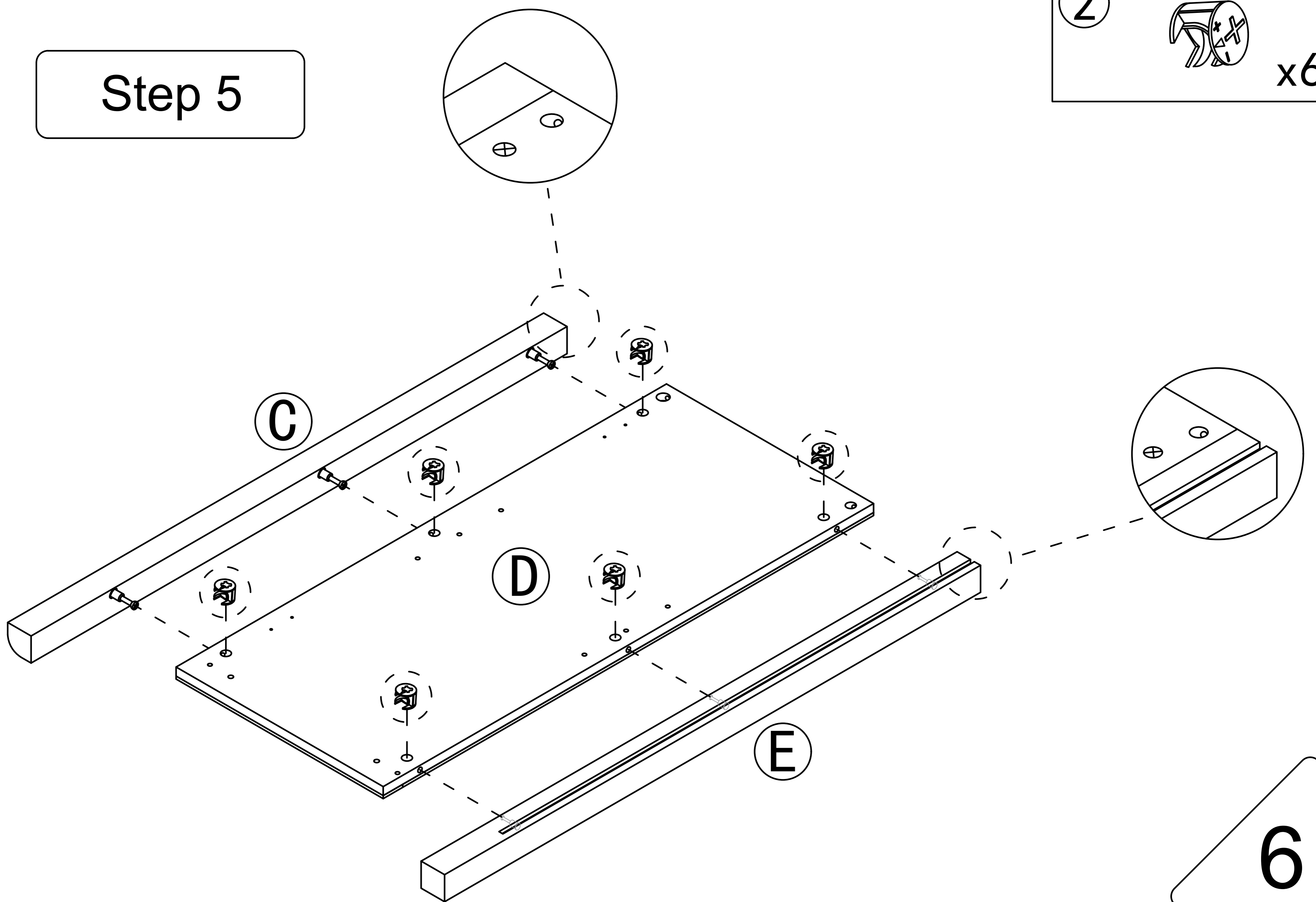
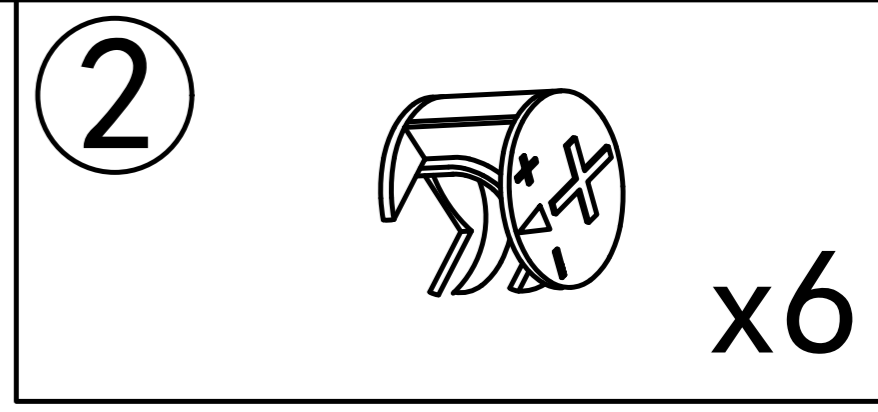


5

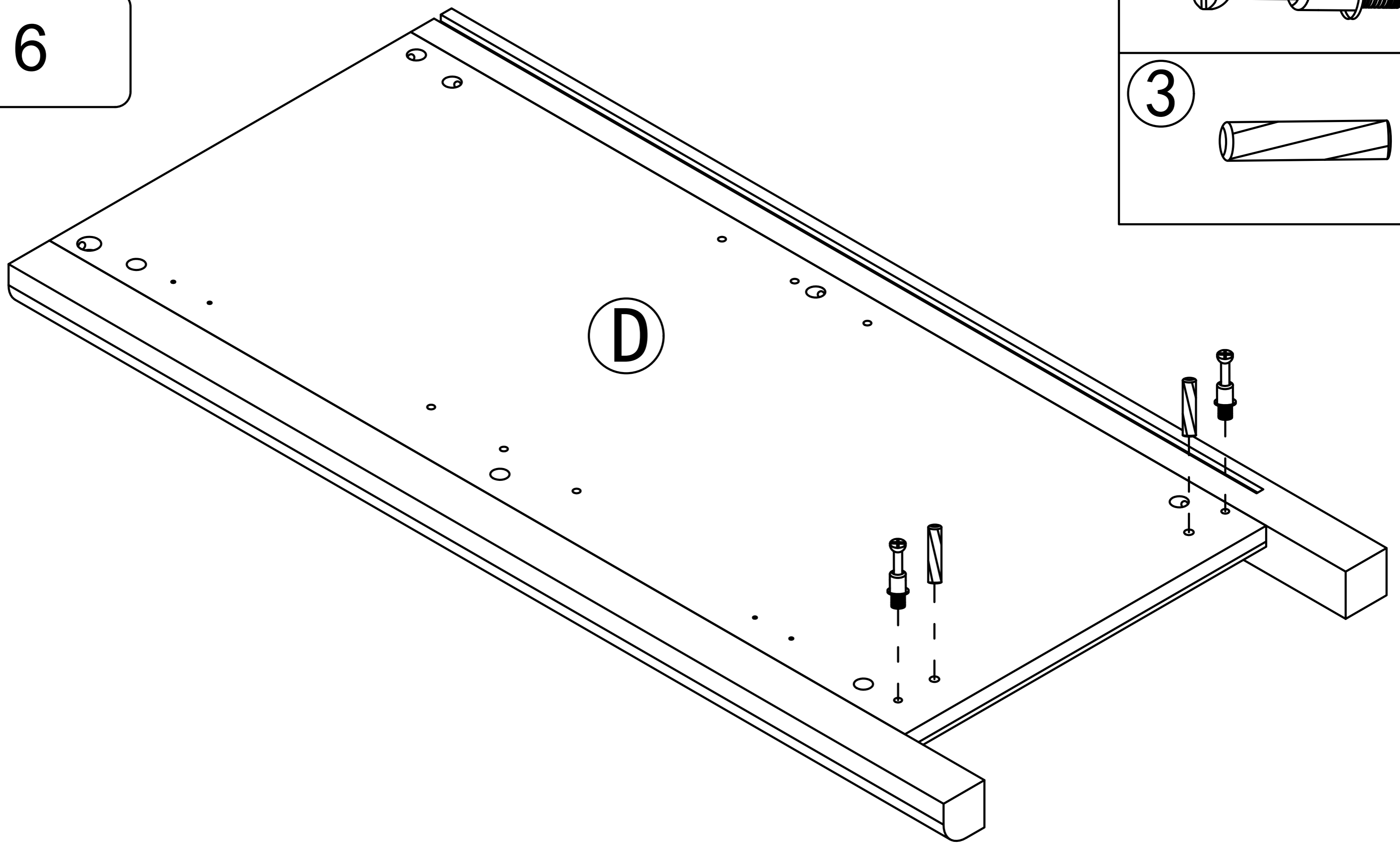
Step 4

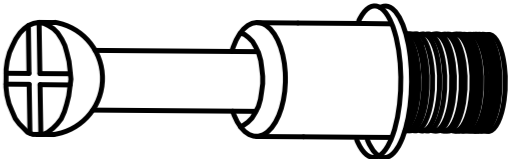
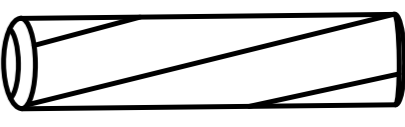


Step 5

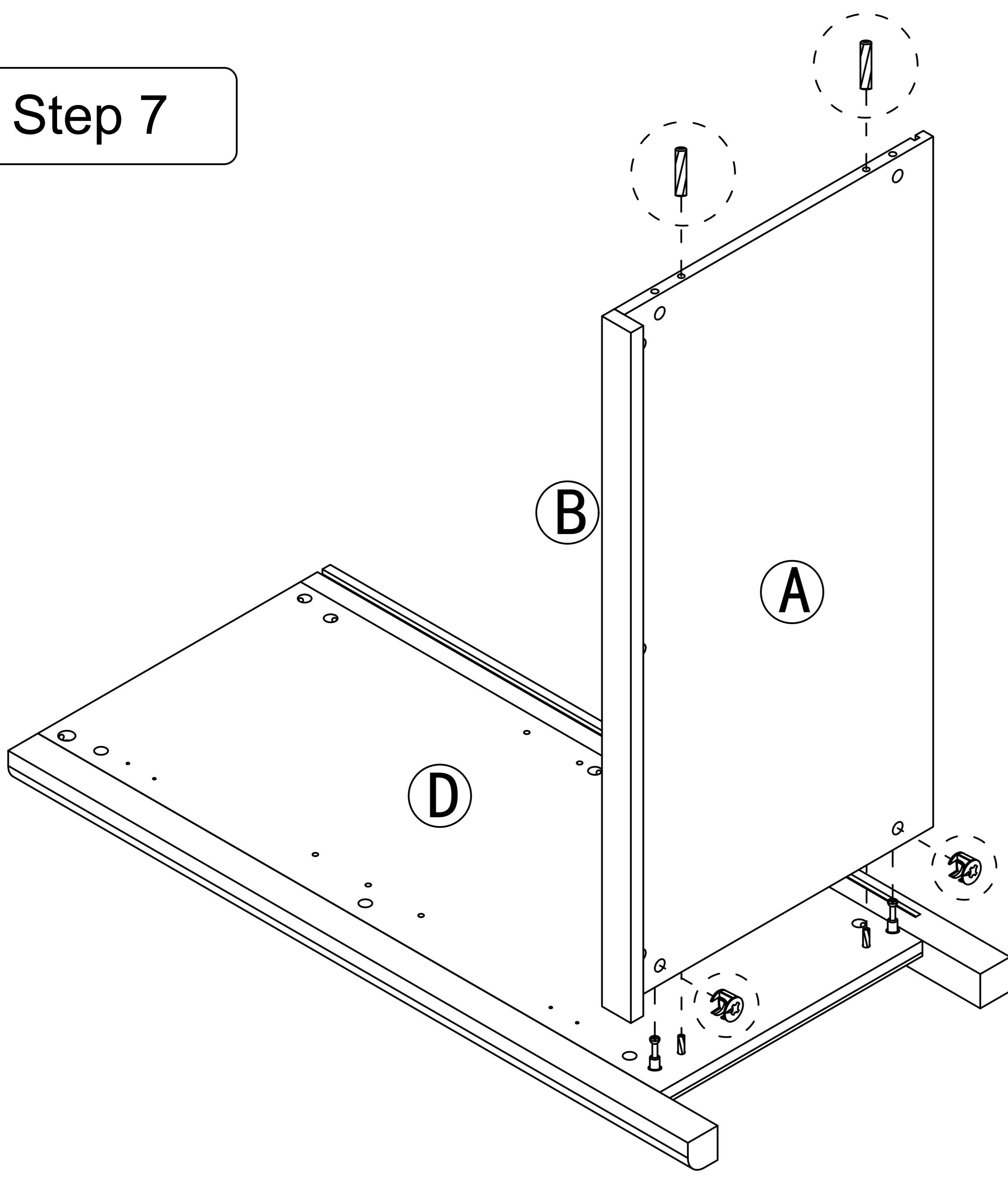


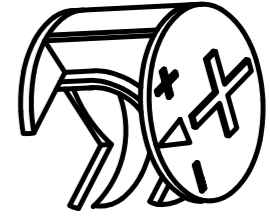

Step 6



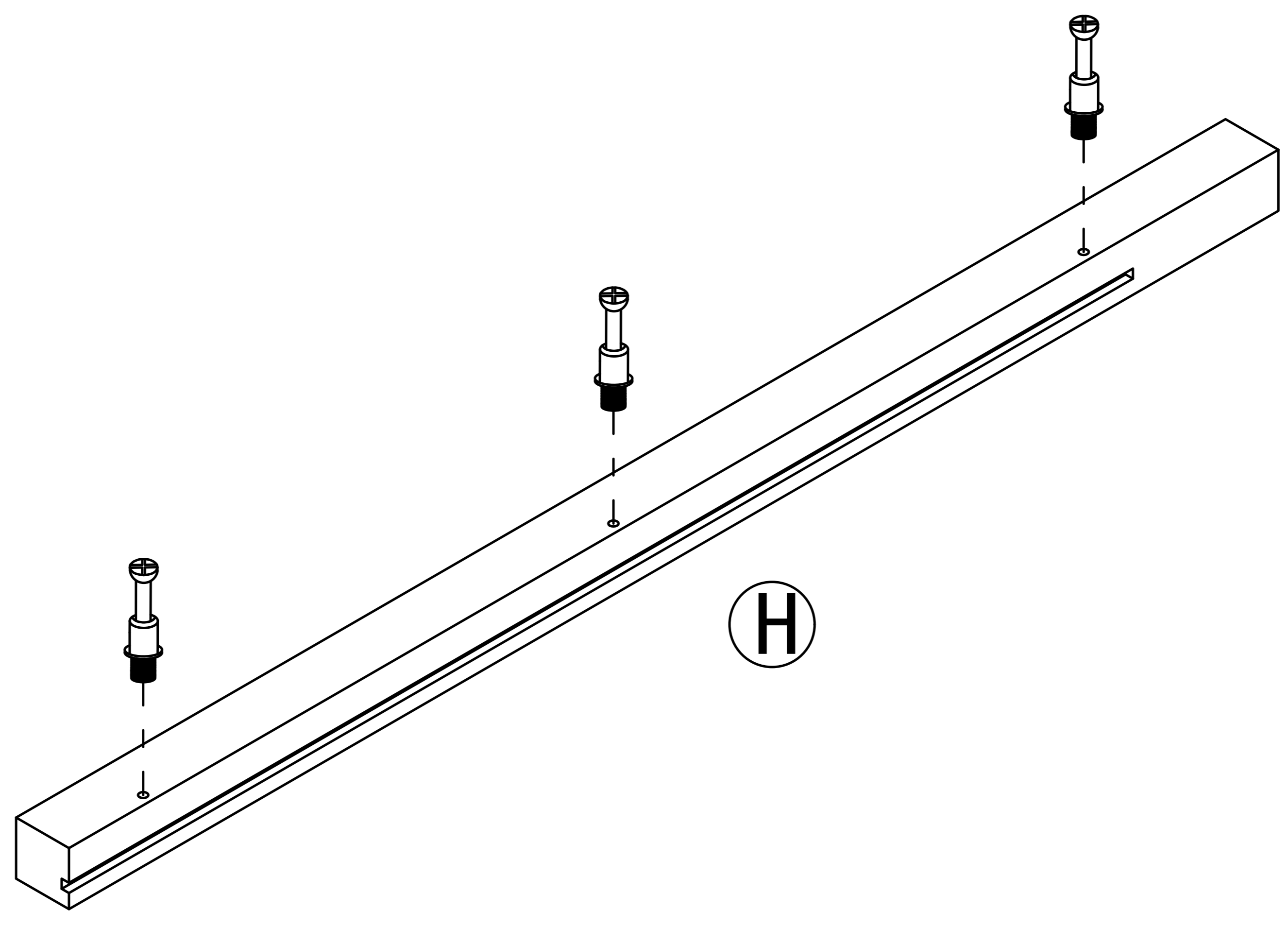
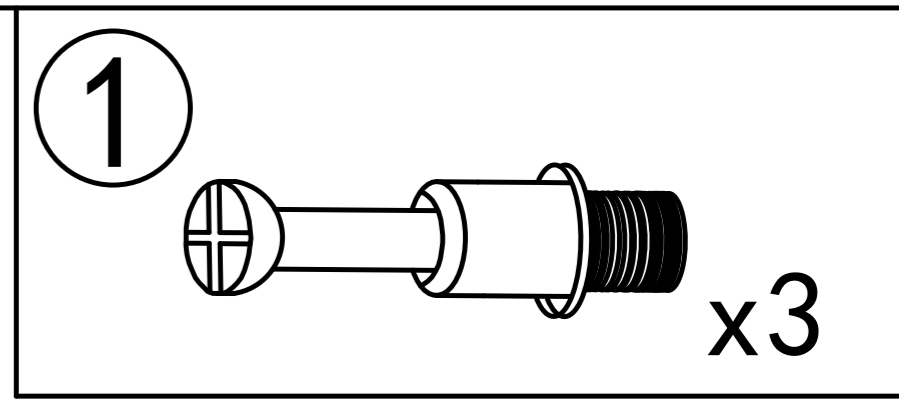
- ①  x2
- ③  x2

Step 7

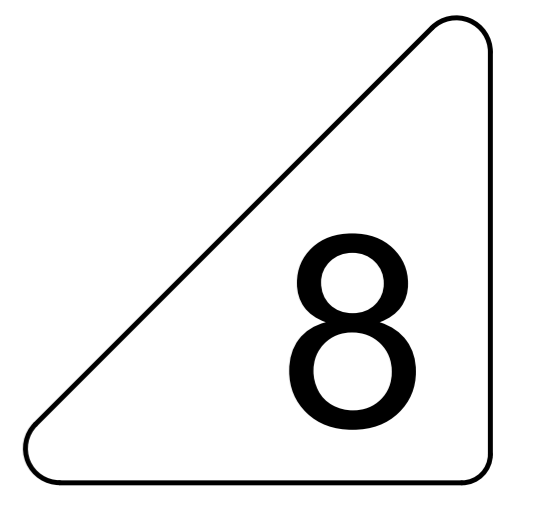
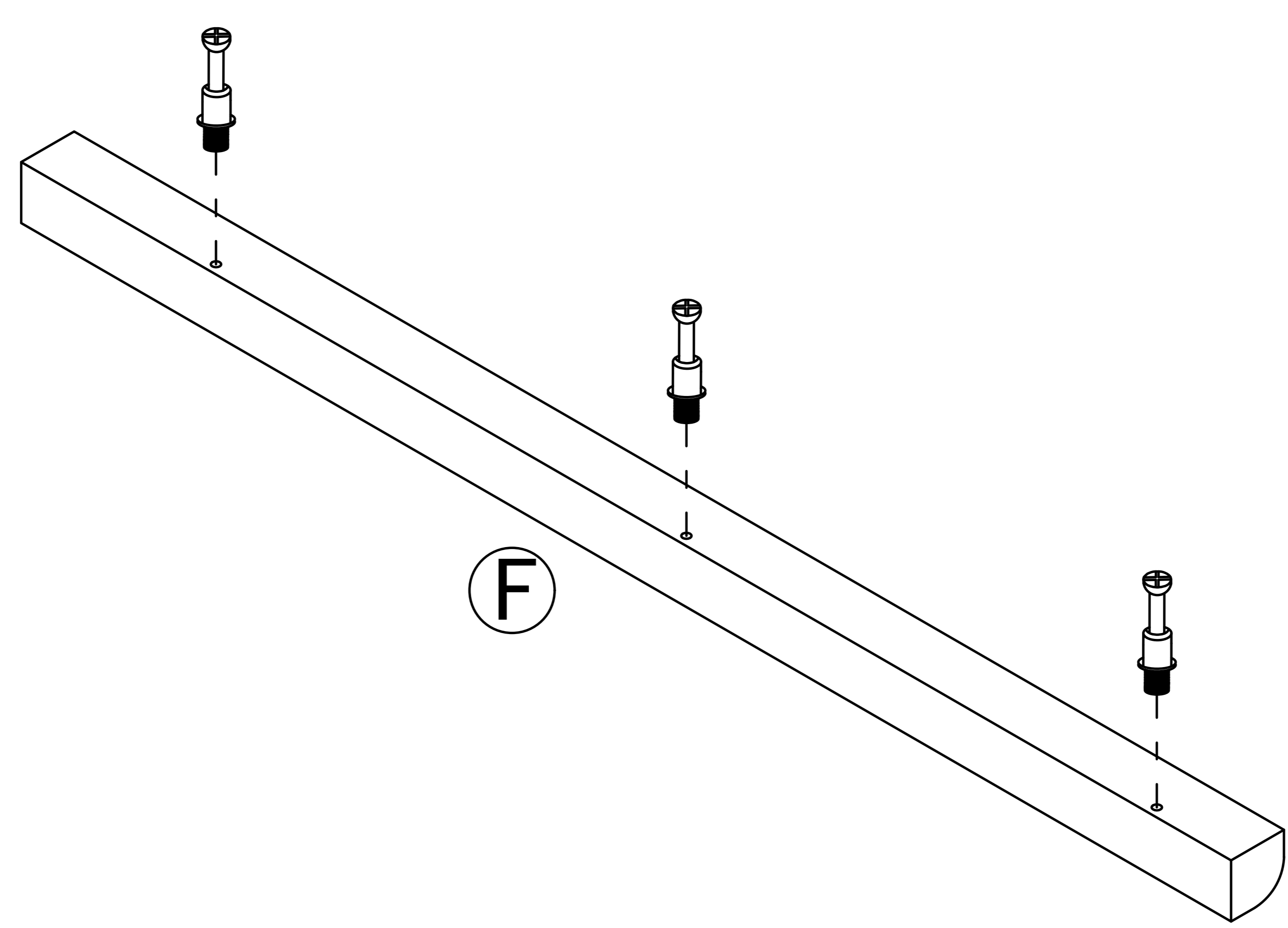
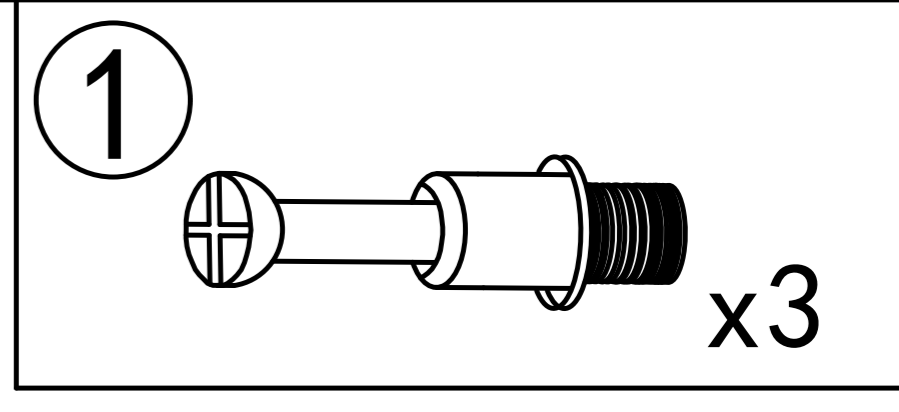


- ②  x2
- ③  x2

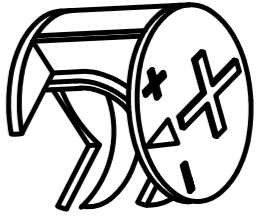
Step 8

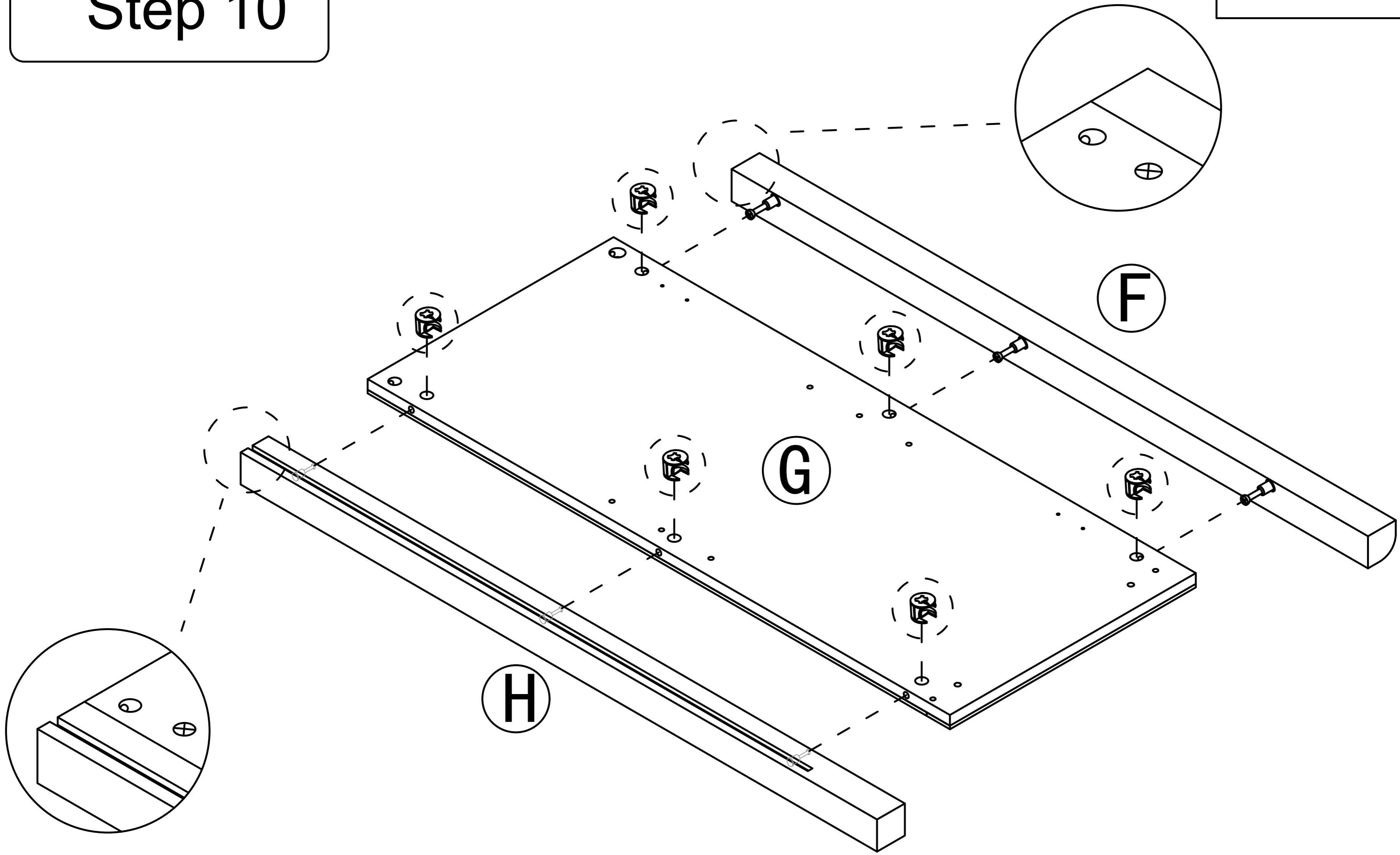


Step 9

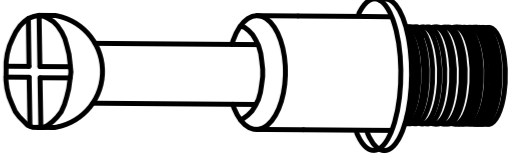


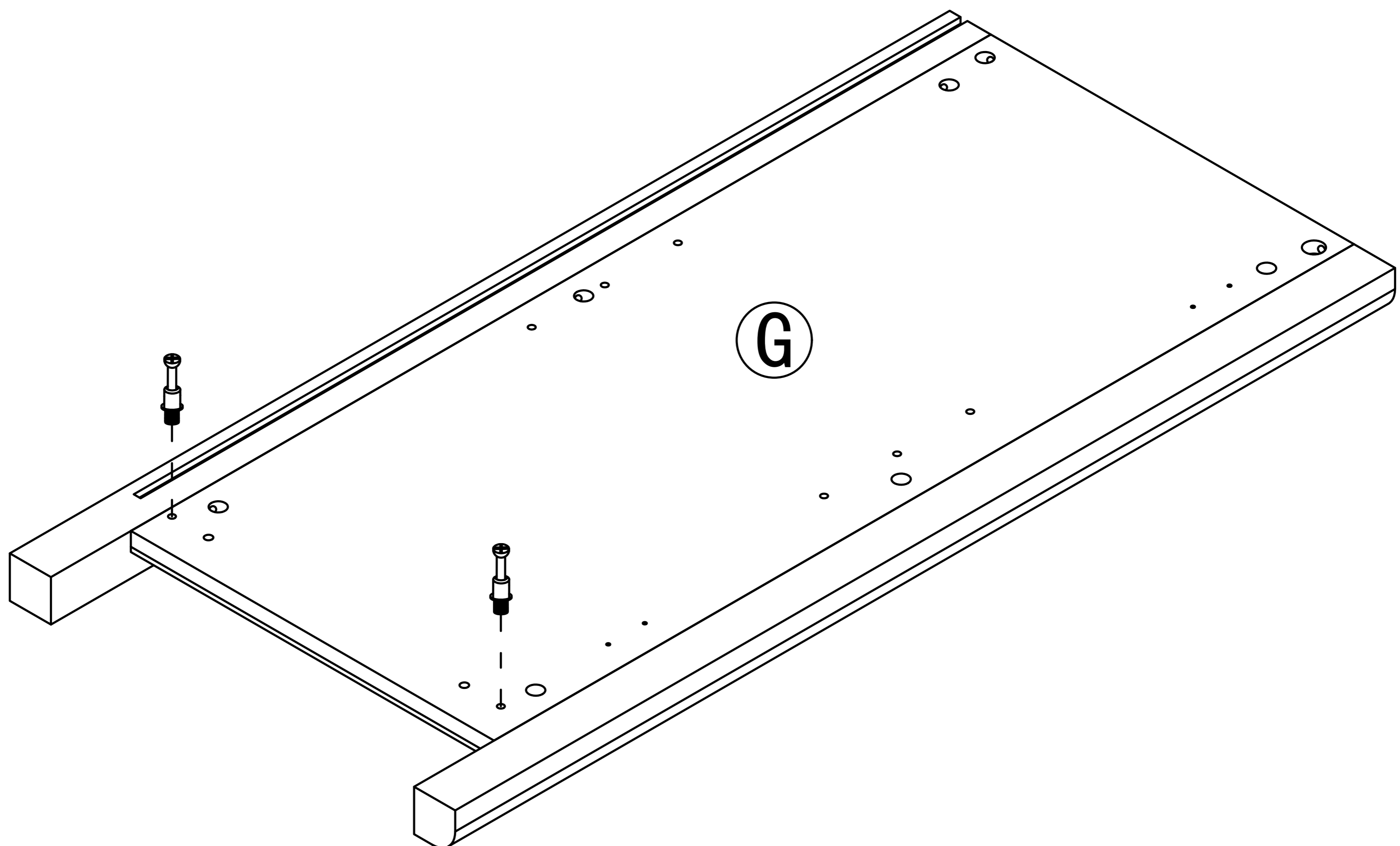
Step 10

2  x6

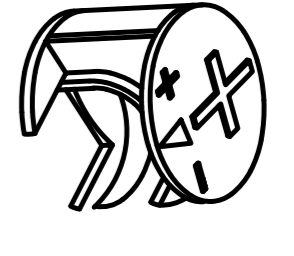


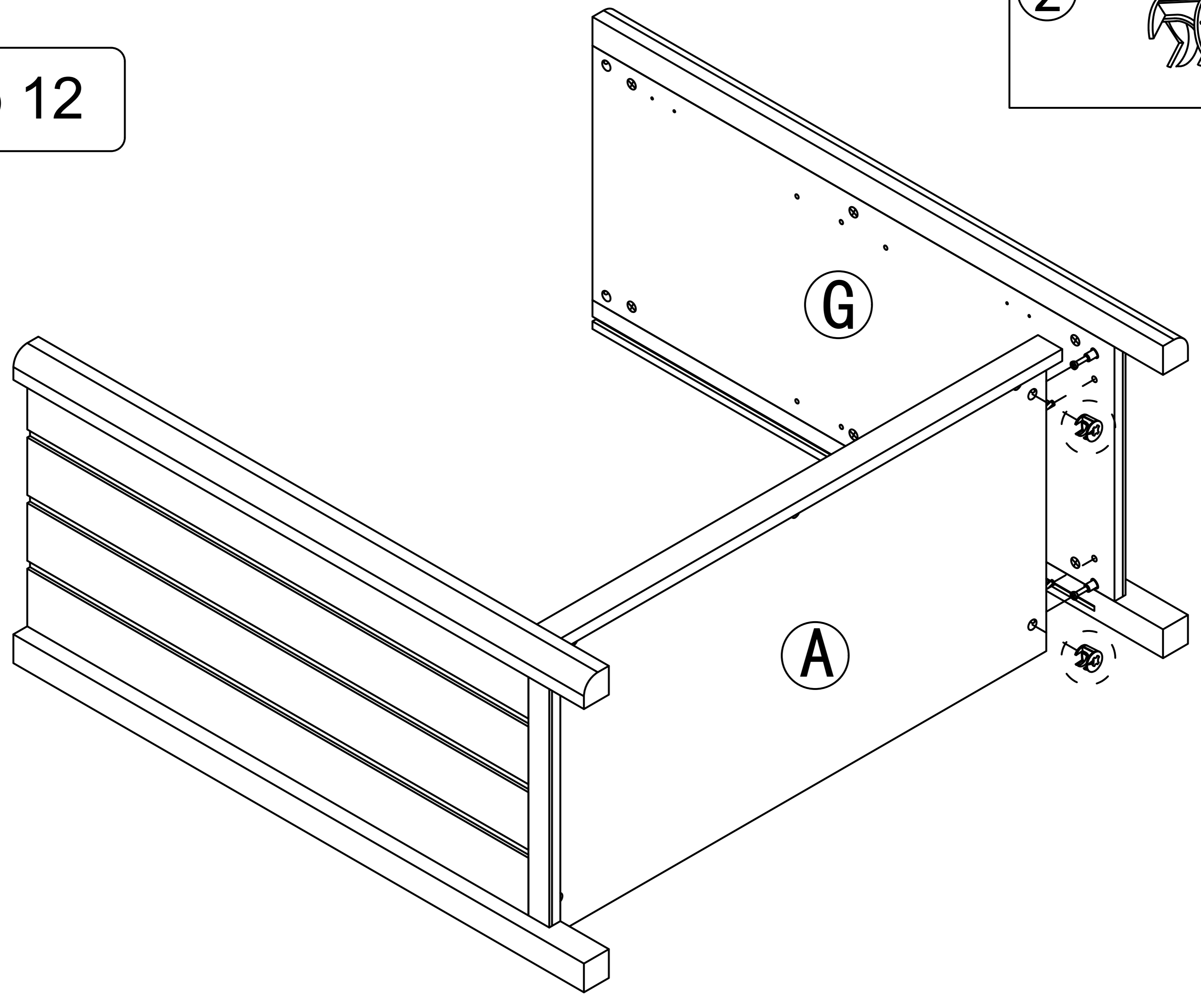
Step 11

1  x2

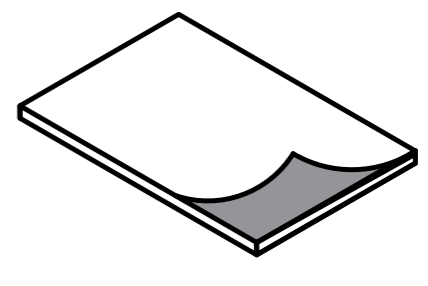


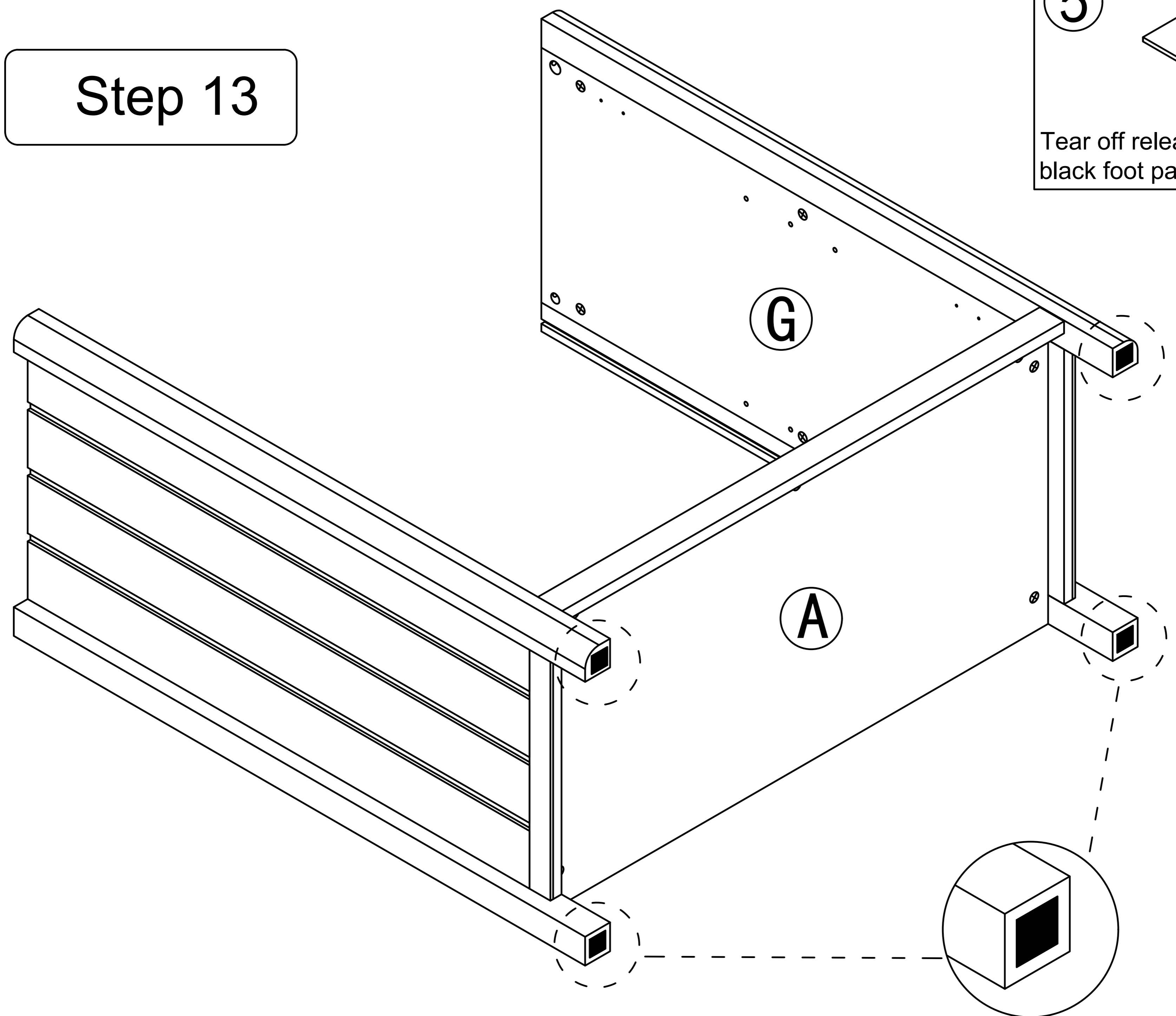
Step 12

2  x2




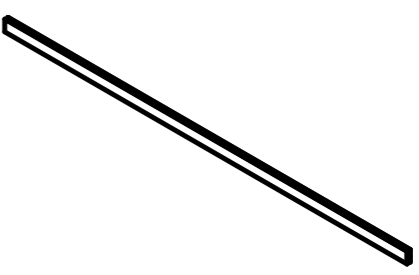
Step 13

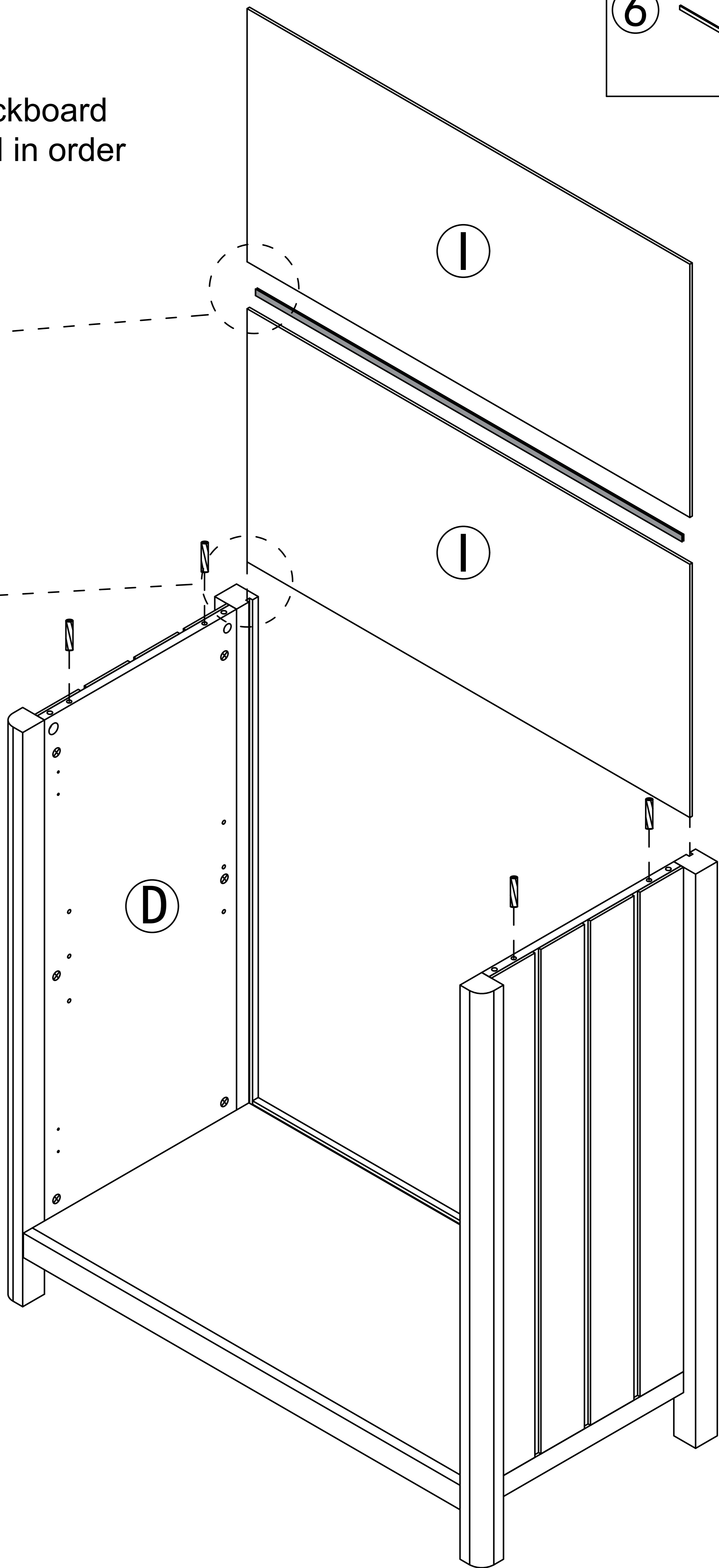
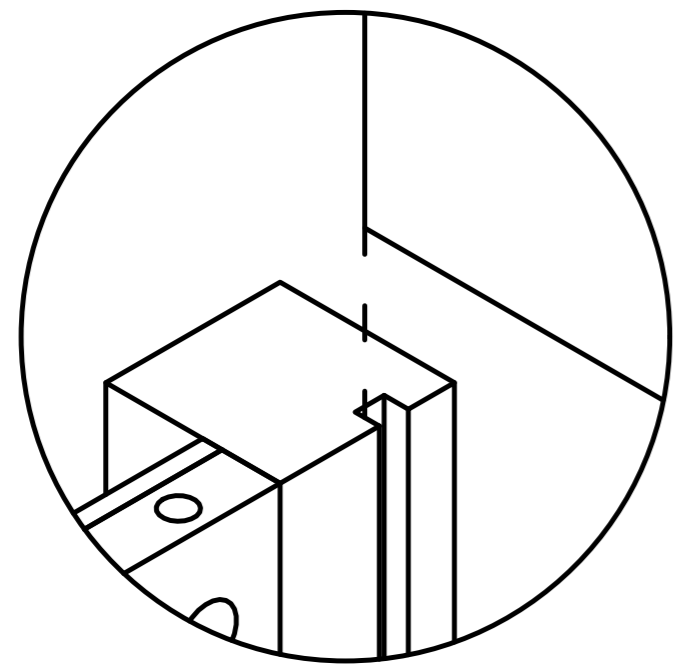
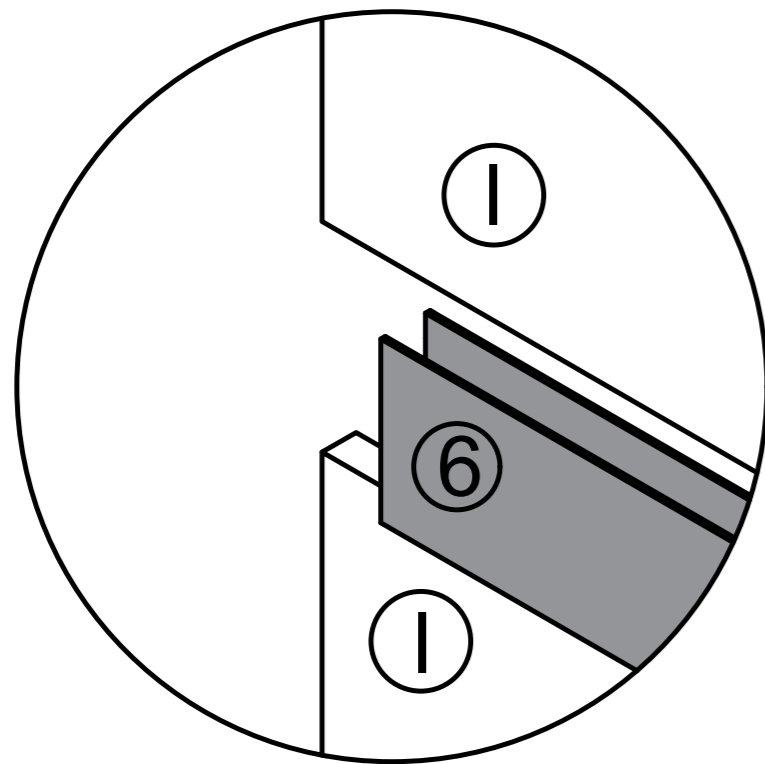
5  x4
Tear off release paper and stick the black foot pad on the board



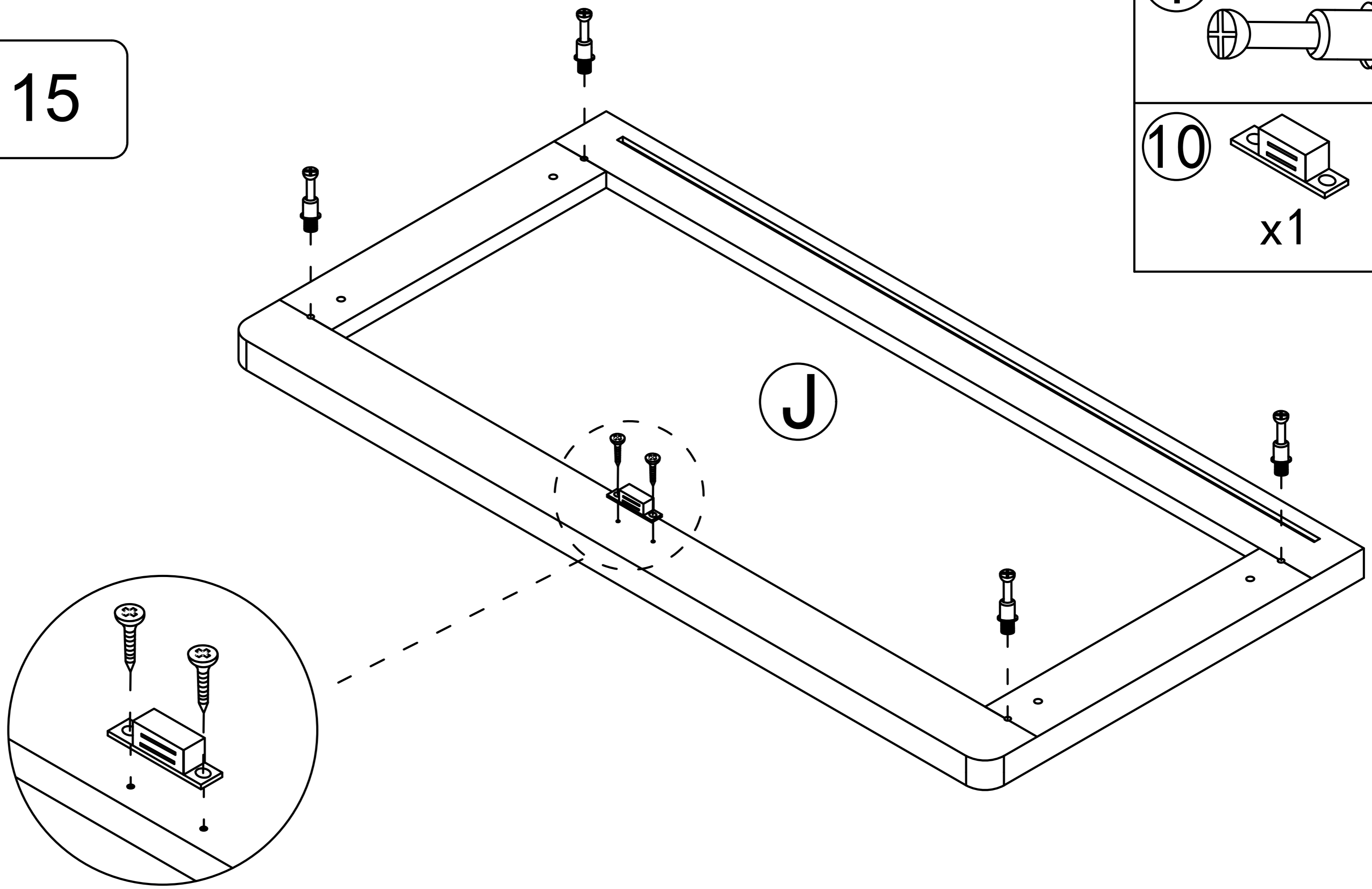
Step 14

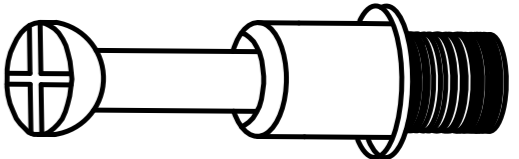
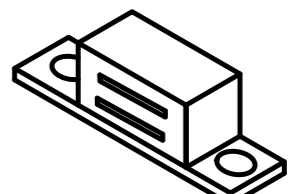

Place the "I" board, Backboard card strip, and "I" board in order

- ③  x4
- ⑥  x1

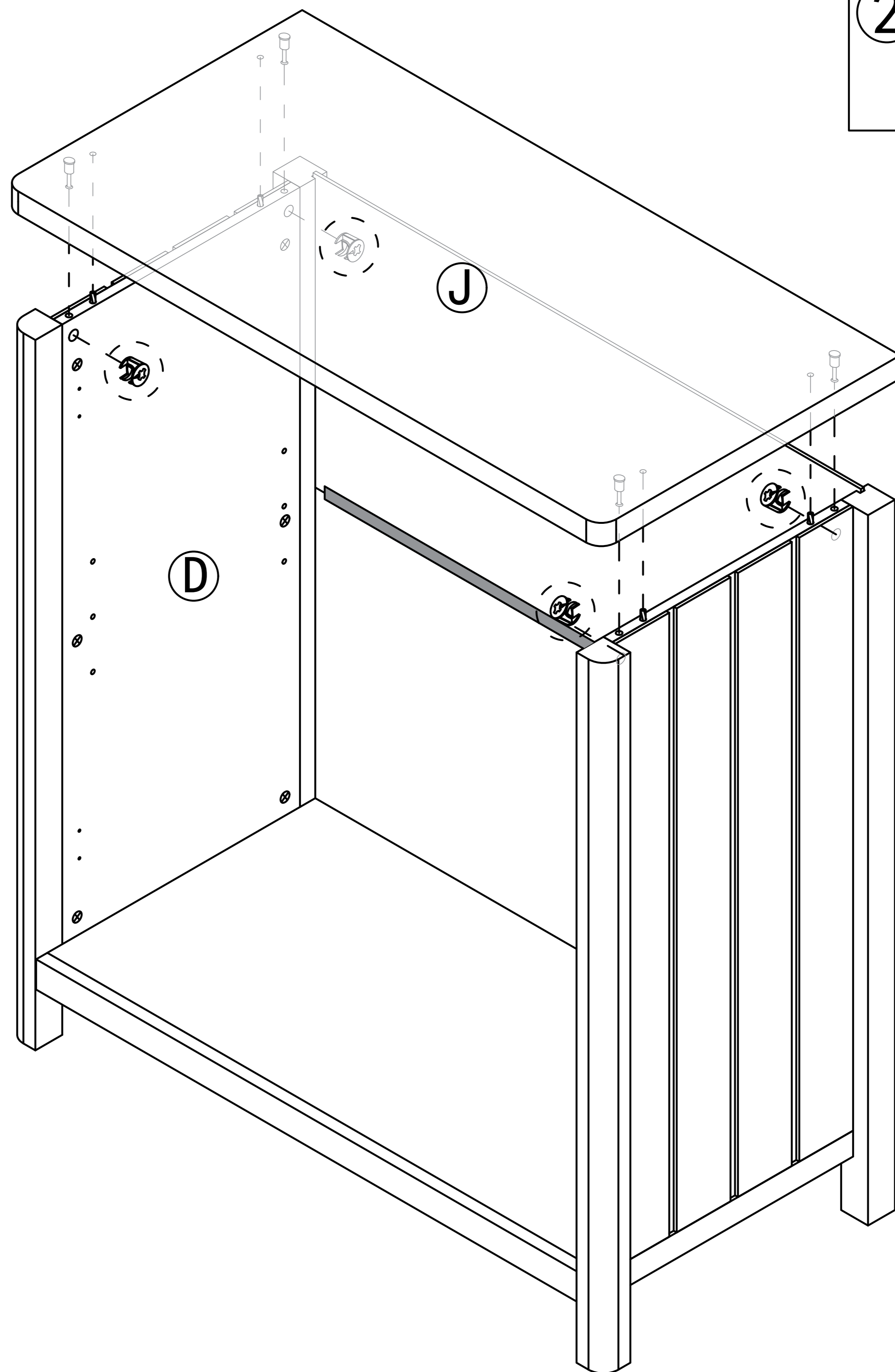


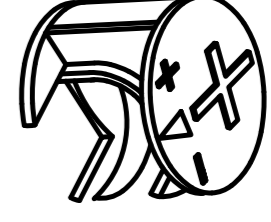
Step 15



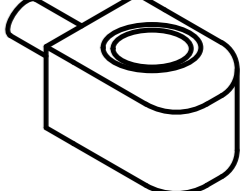
- ①  x4
- ⑩  x1
- ③③  x2

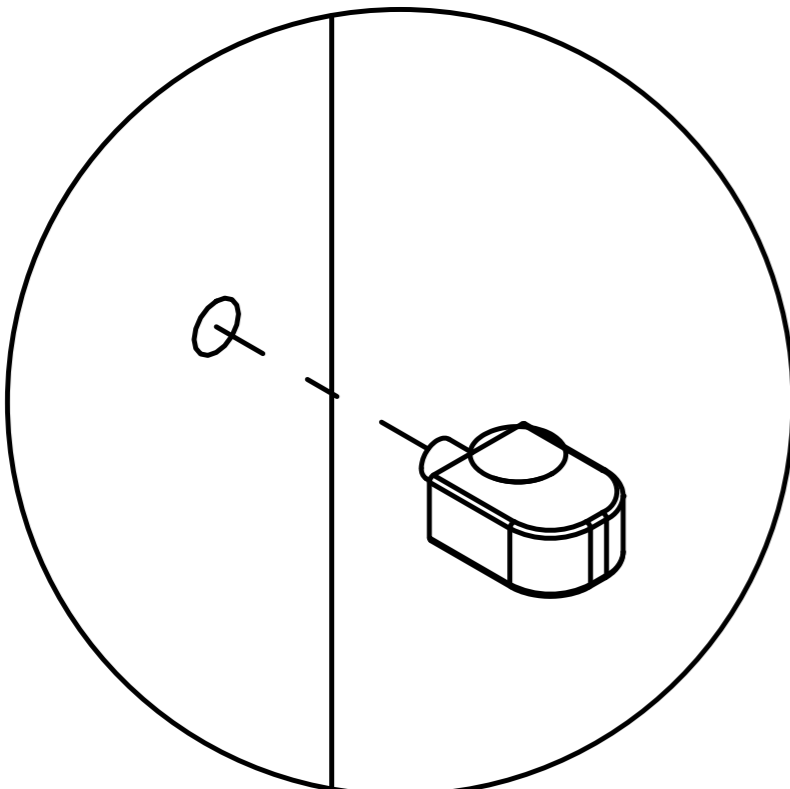
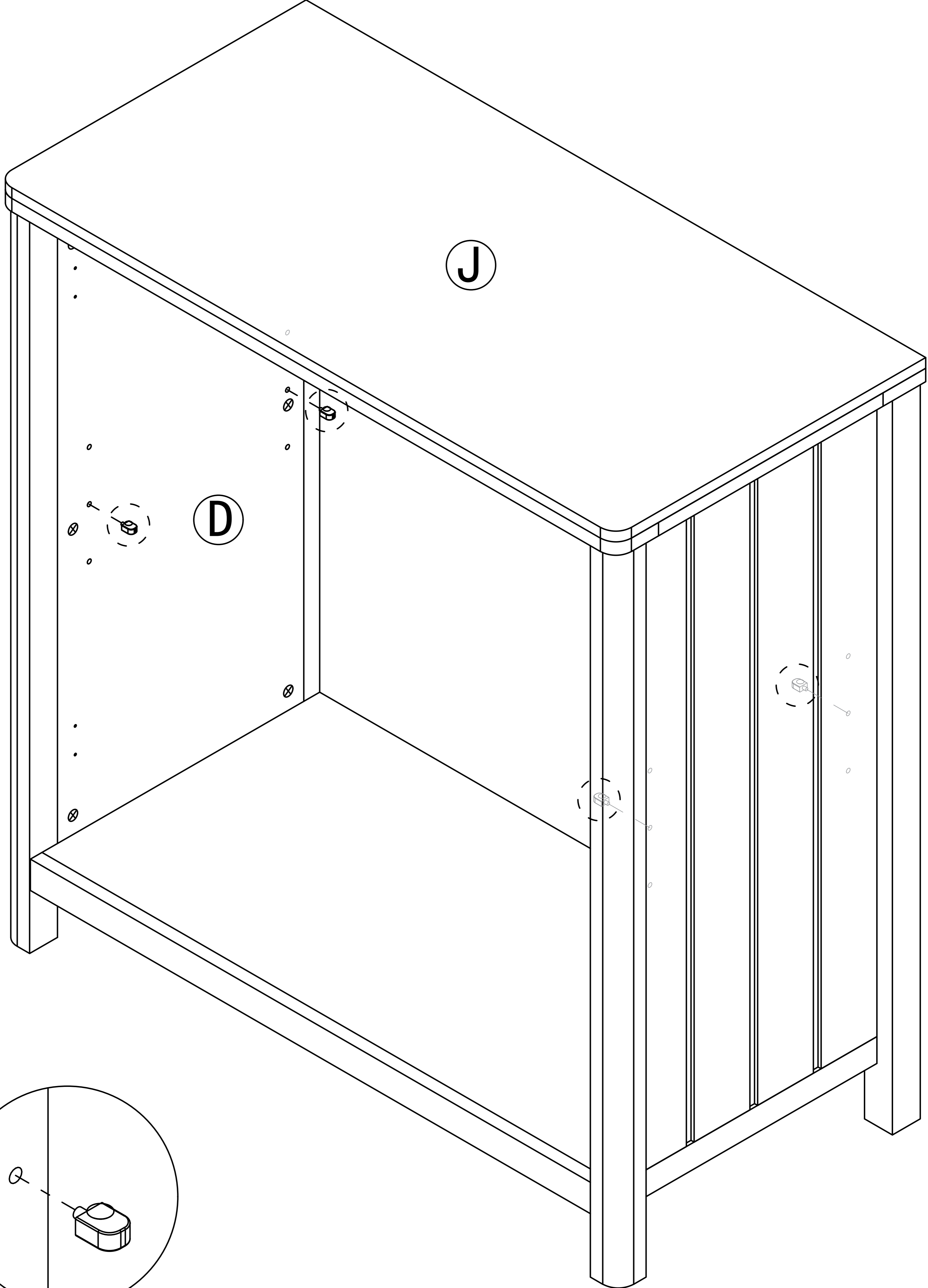
Step 16



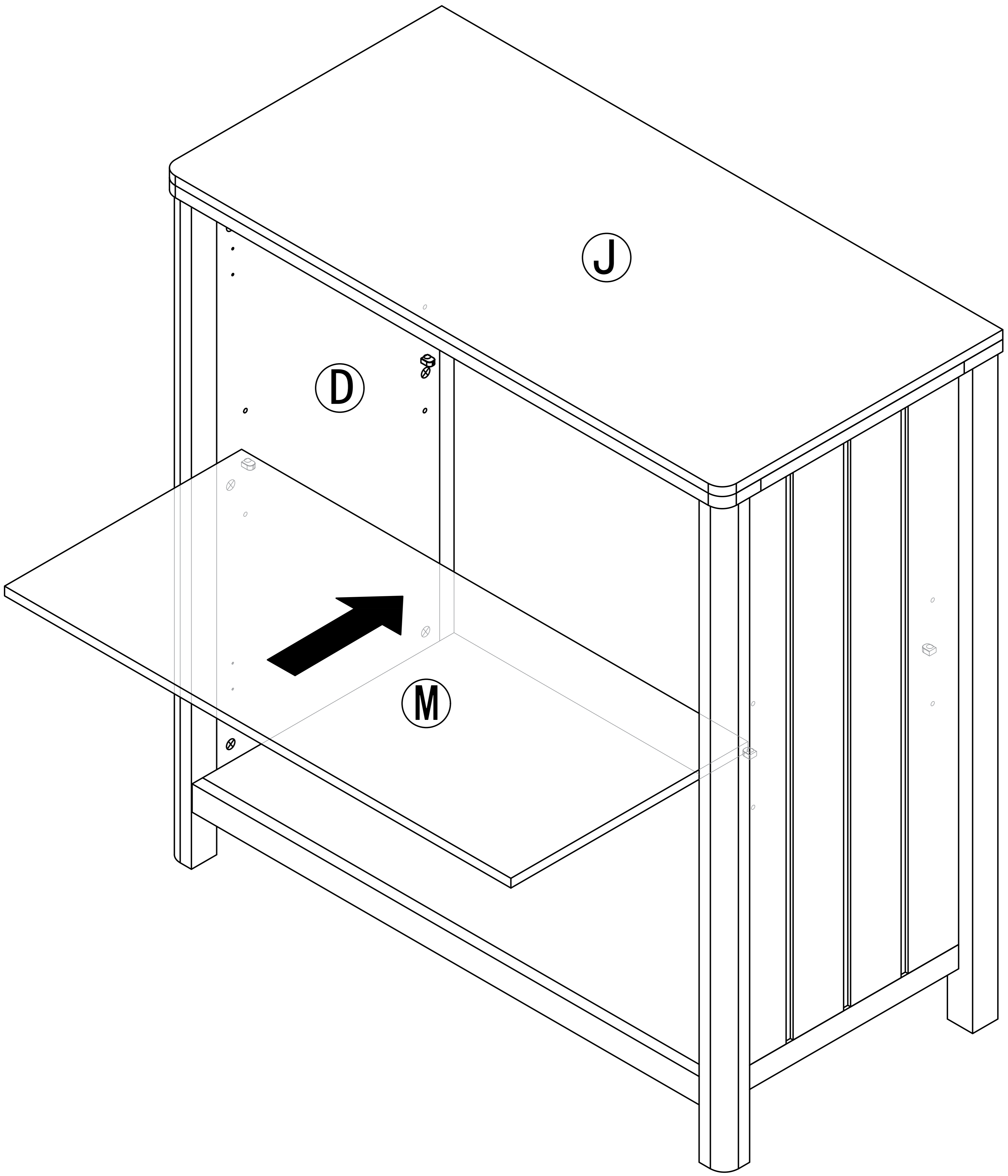
- ②  x4

Step 17

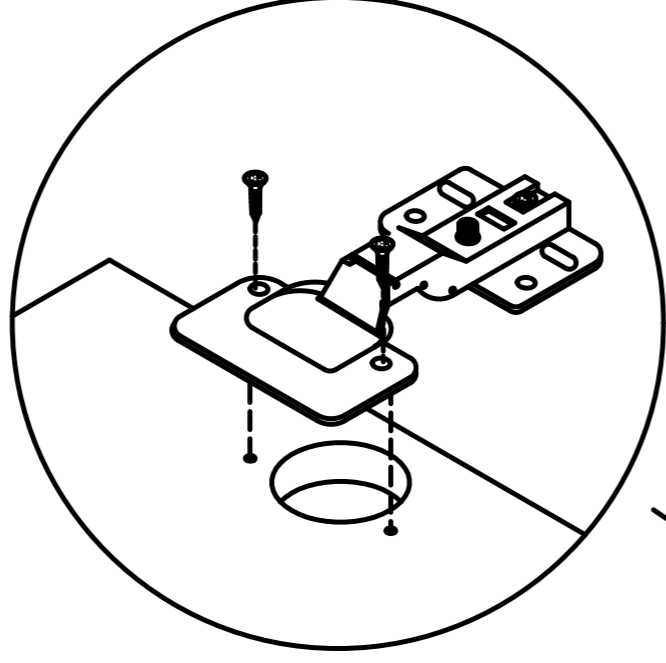
8  x4

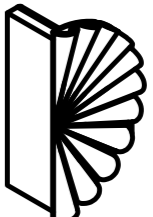

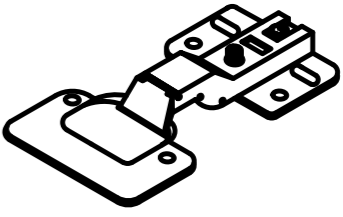
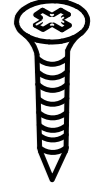


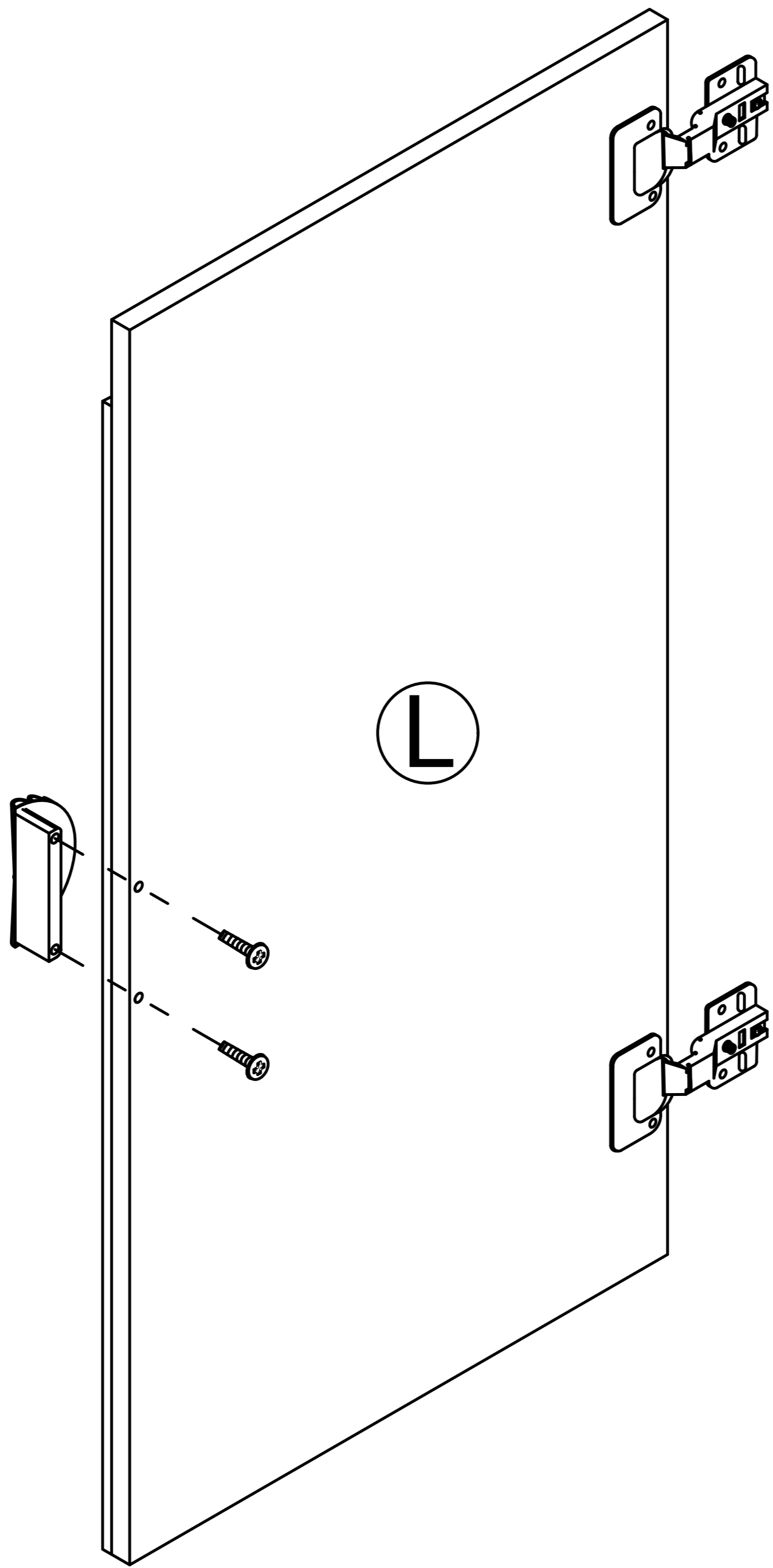
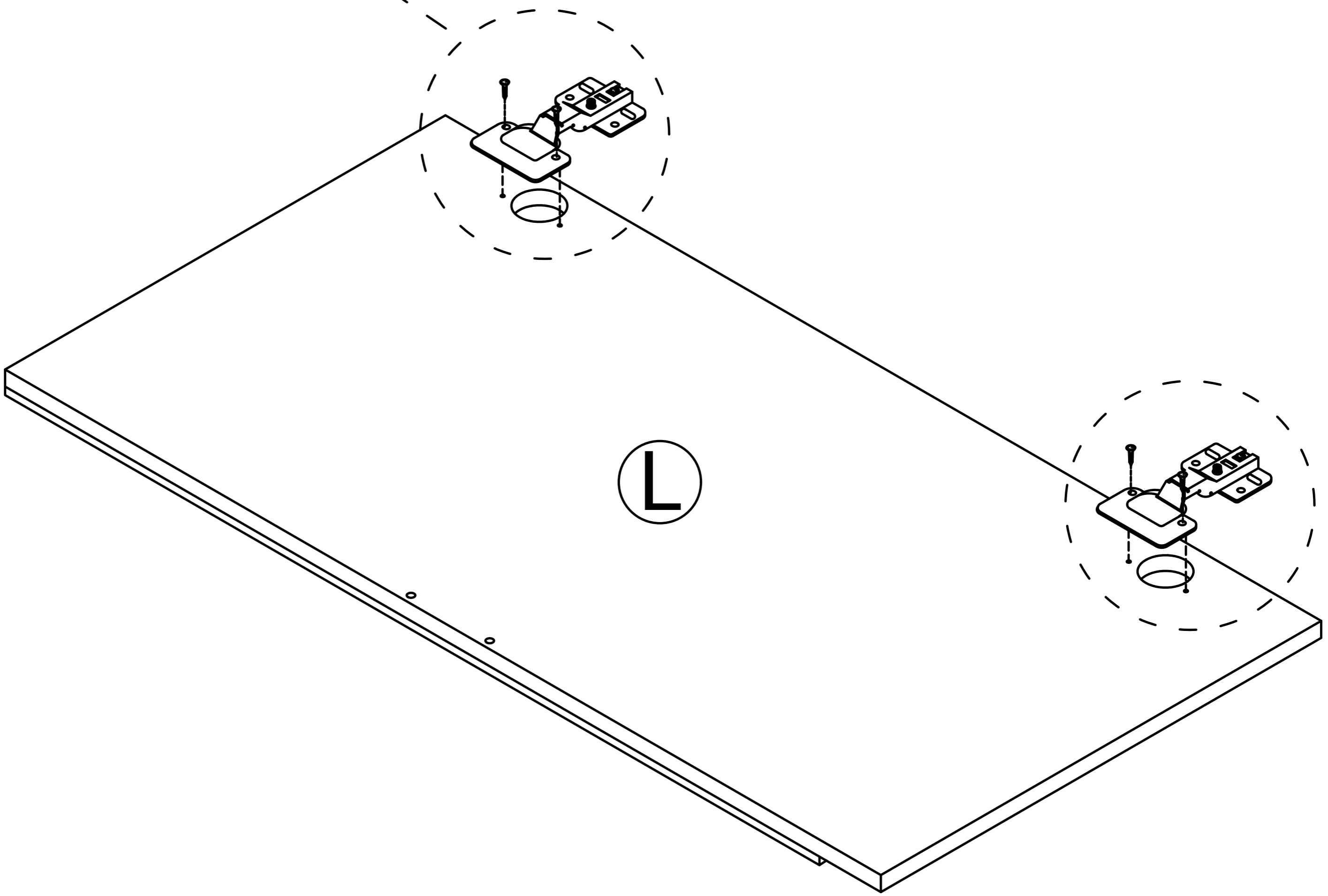
Step 18



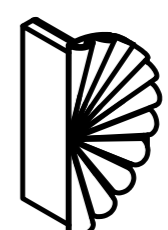

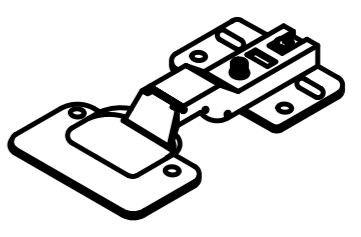
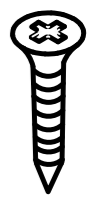
Step 19

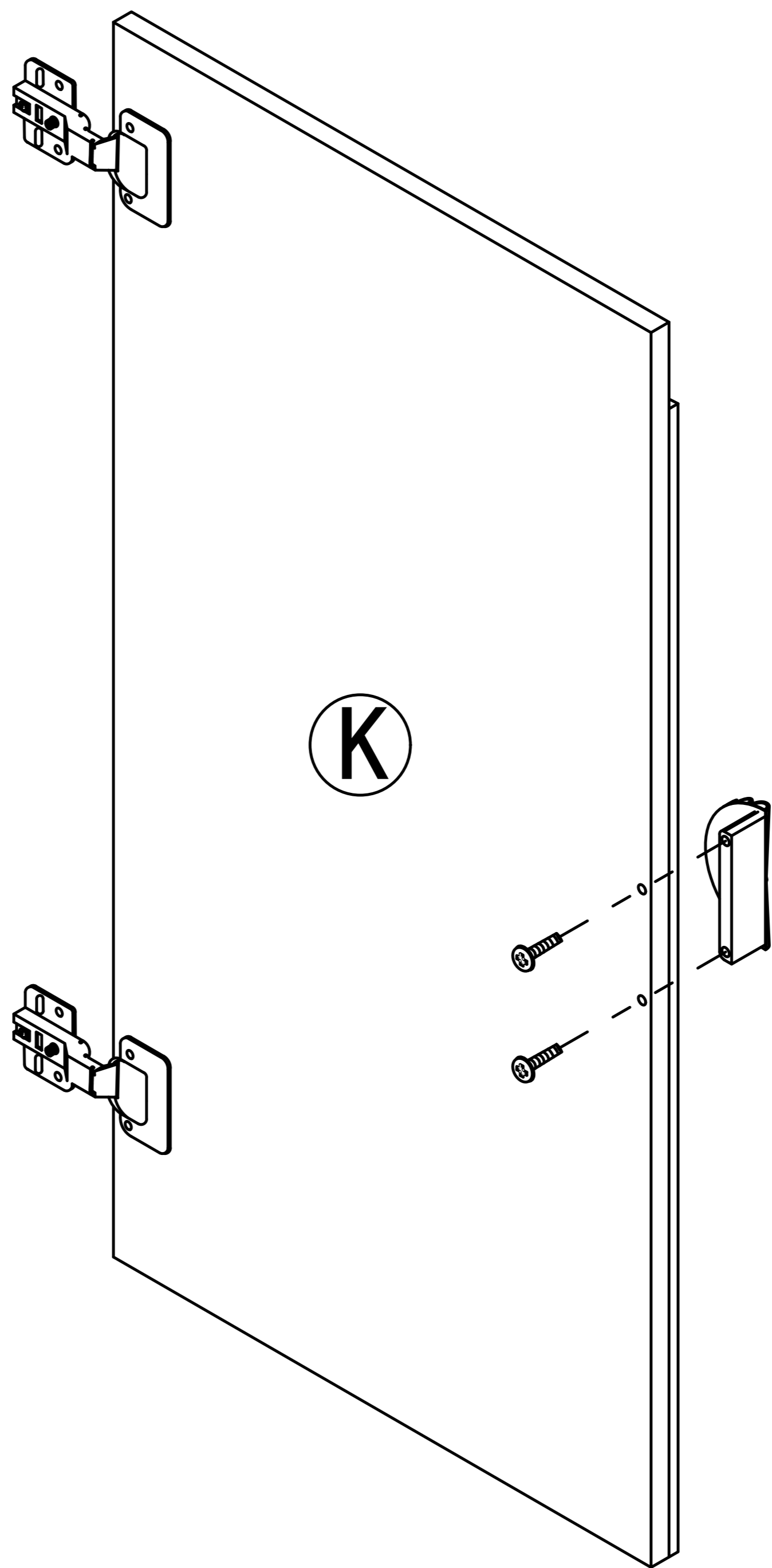
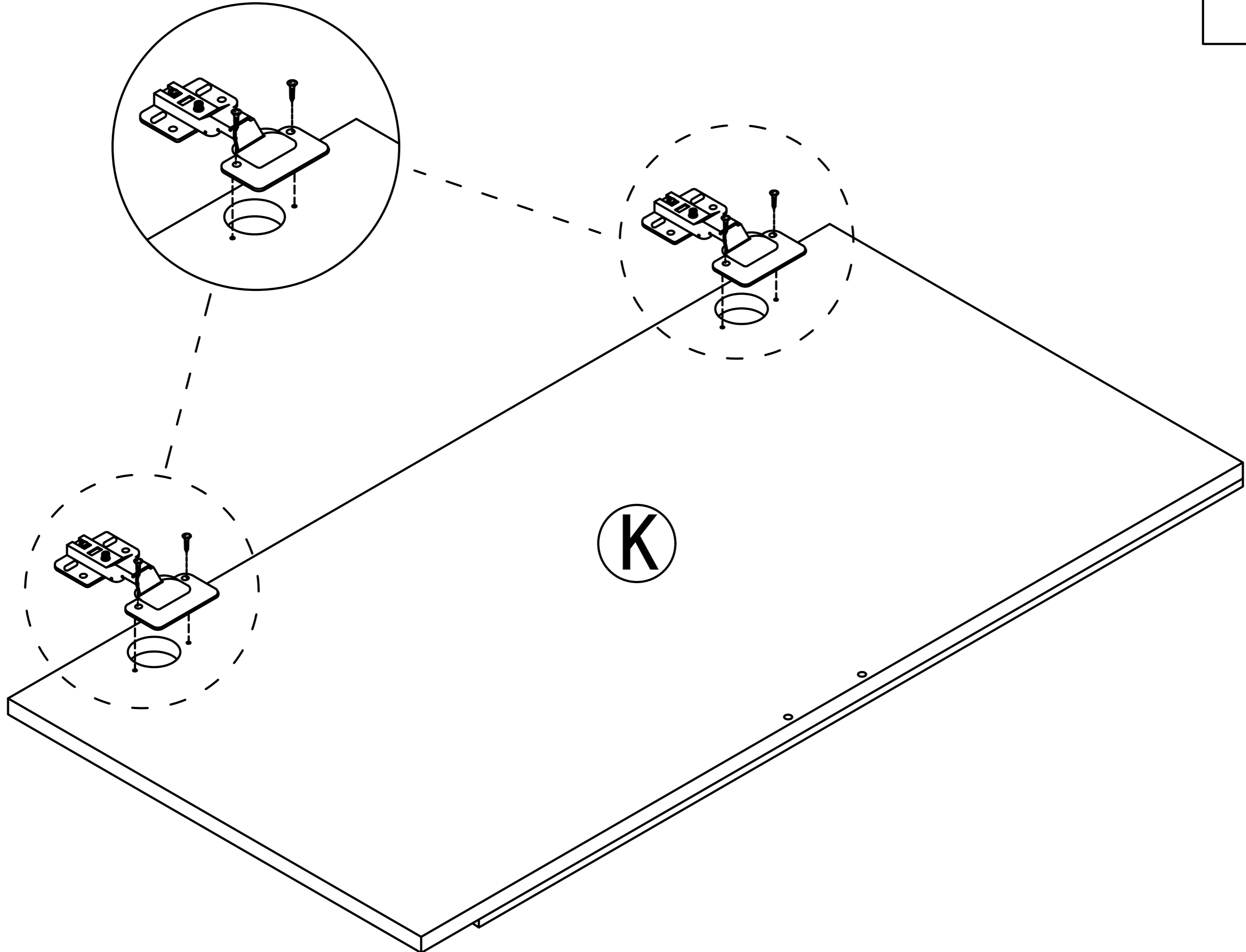


- | | | |
|---|---|---|
| 4 |  |  |
| | x1 | x2 |
| 9 |  |  |
| | x2 | x4 |

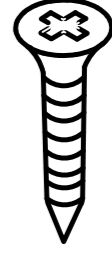


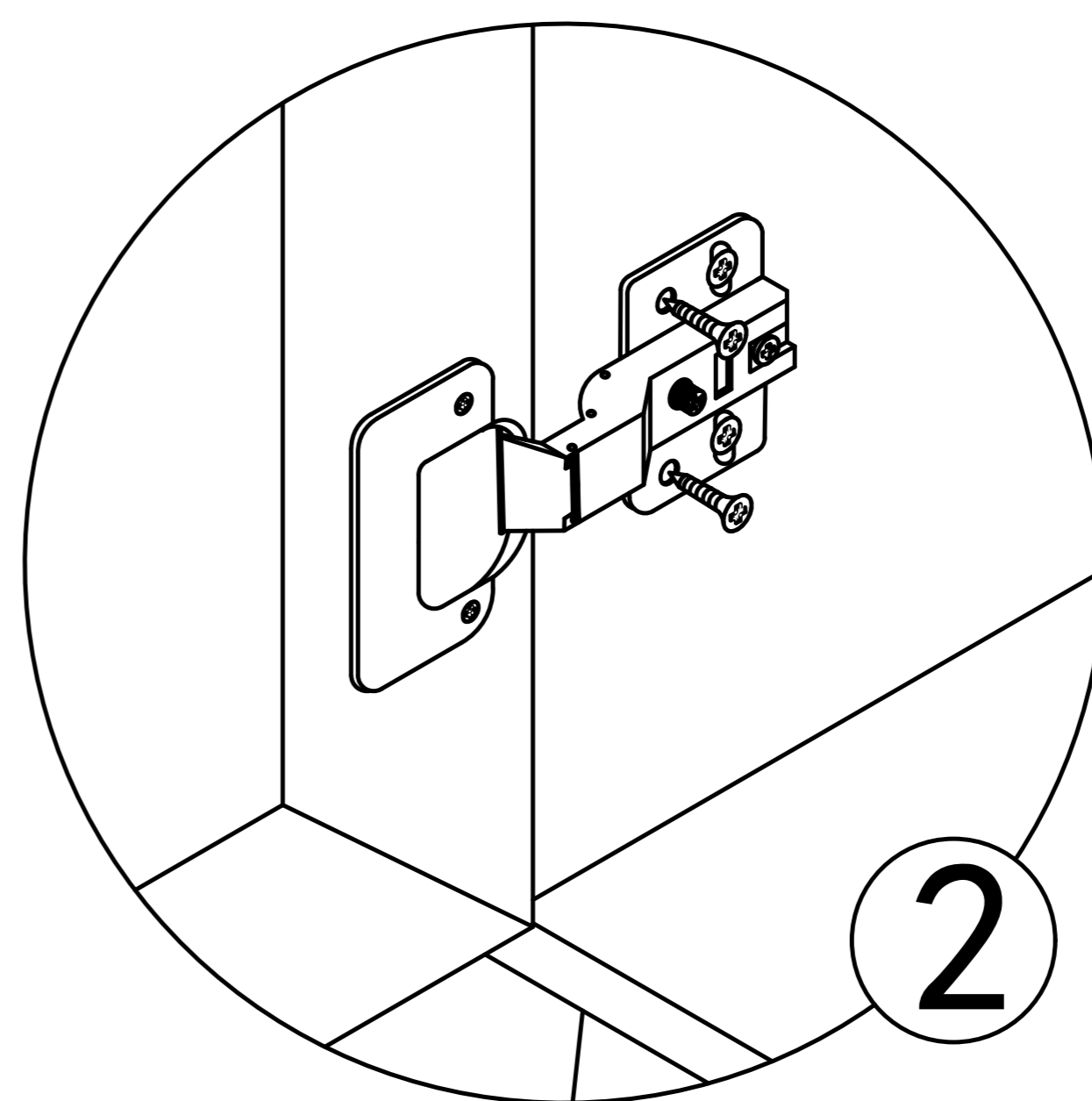
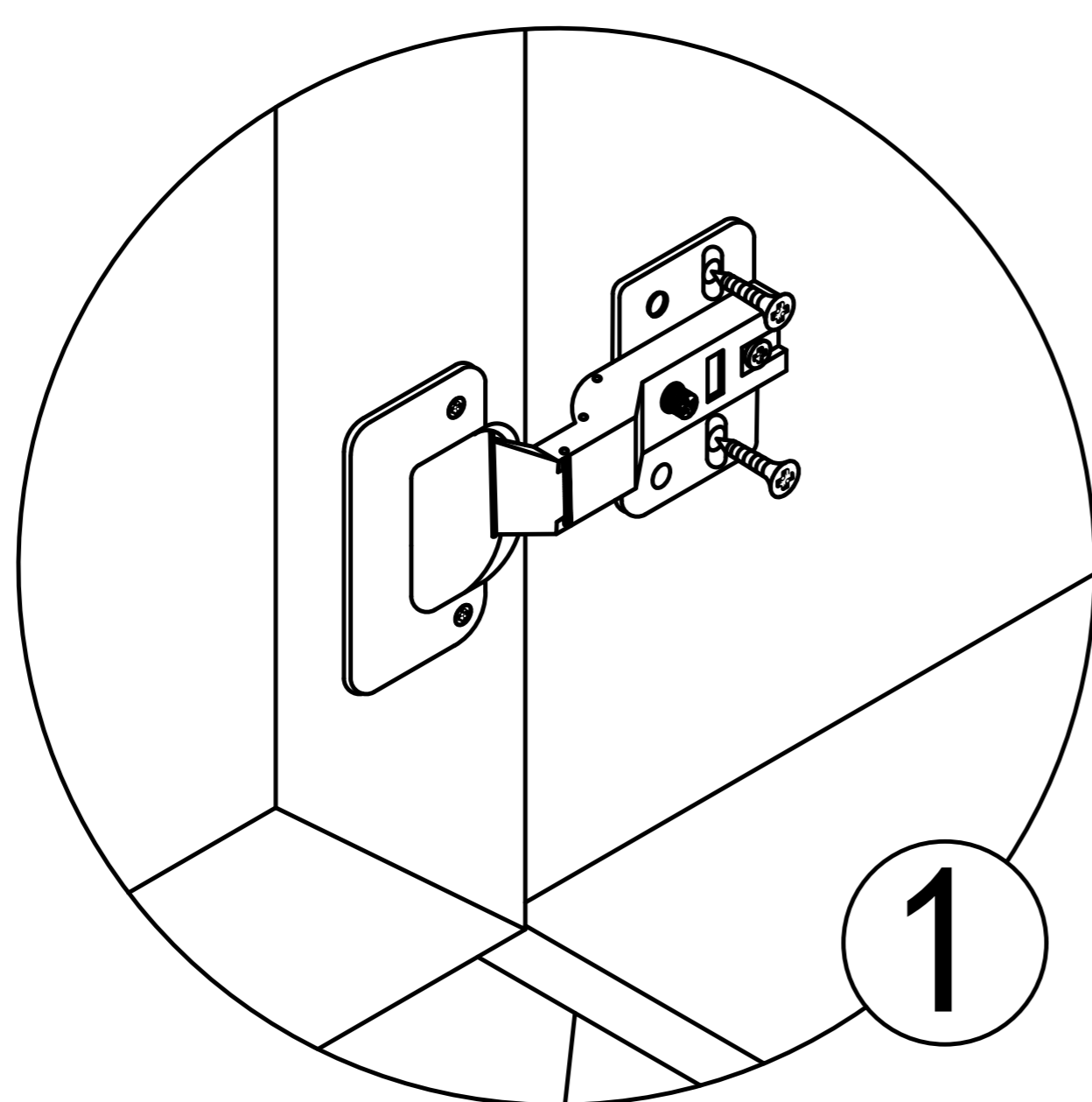
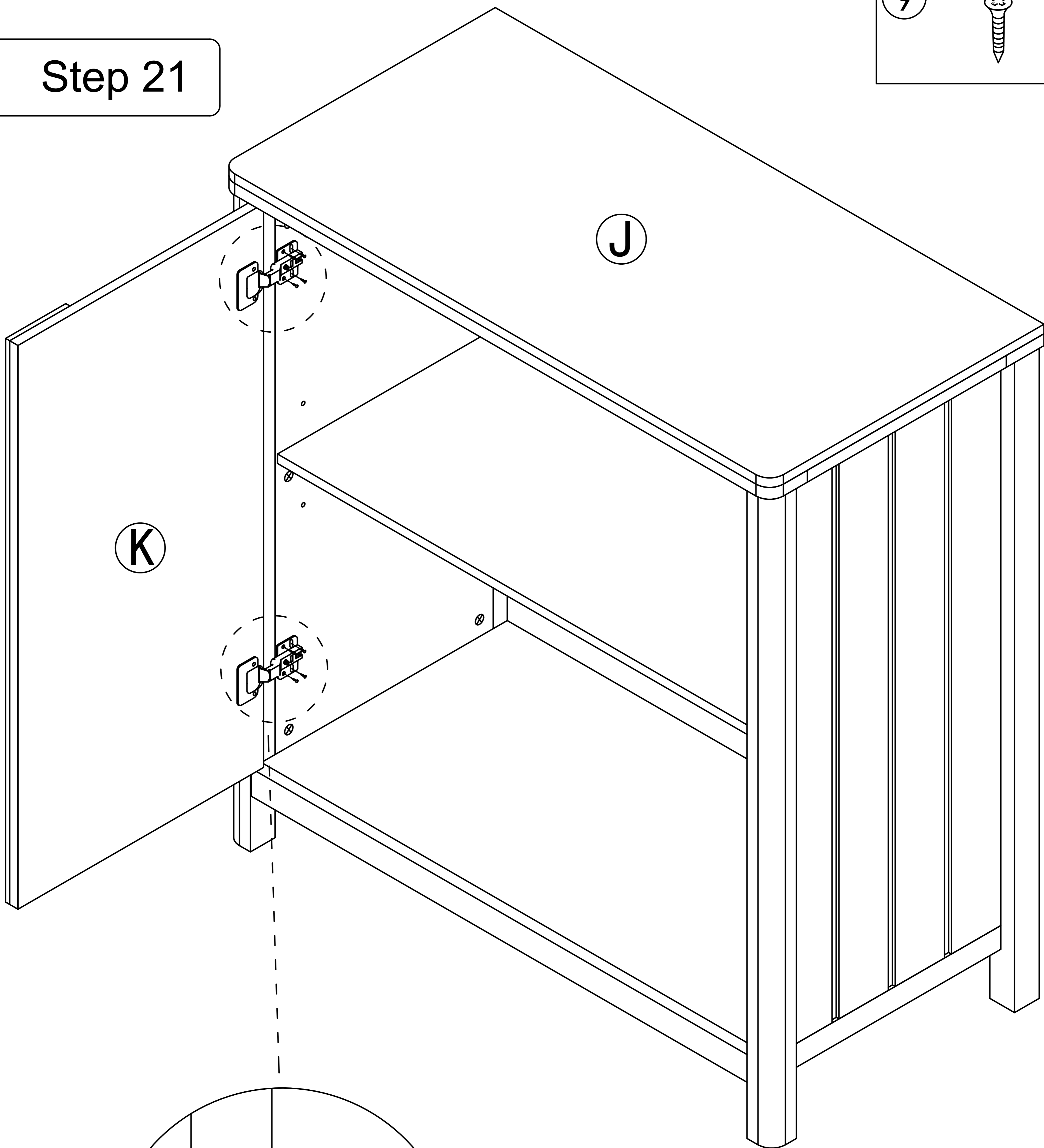
Step 20

- | | | |
|---|---|---|
| 4 |  |  |
| | x1 | x2 |
| 9 |  |  |
| | x2 | x4 |



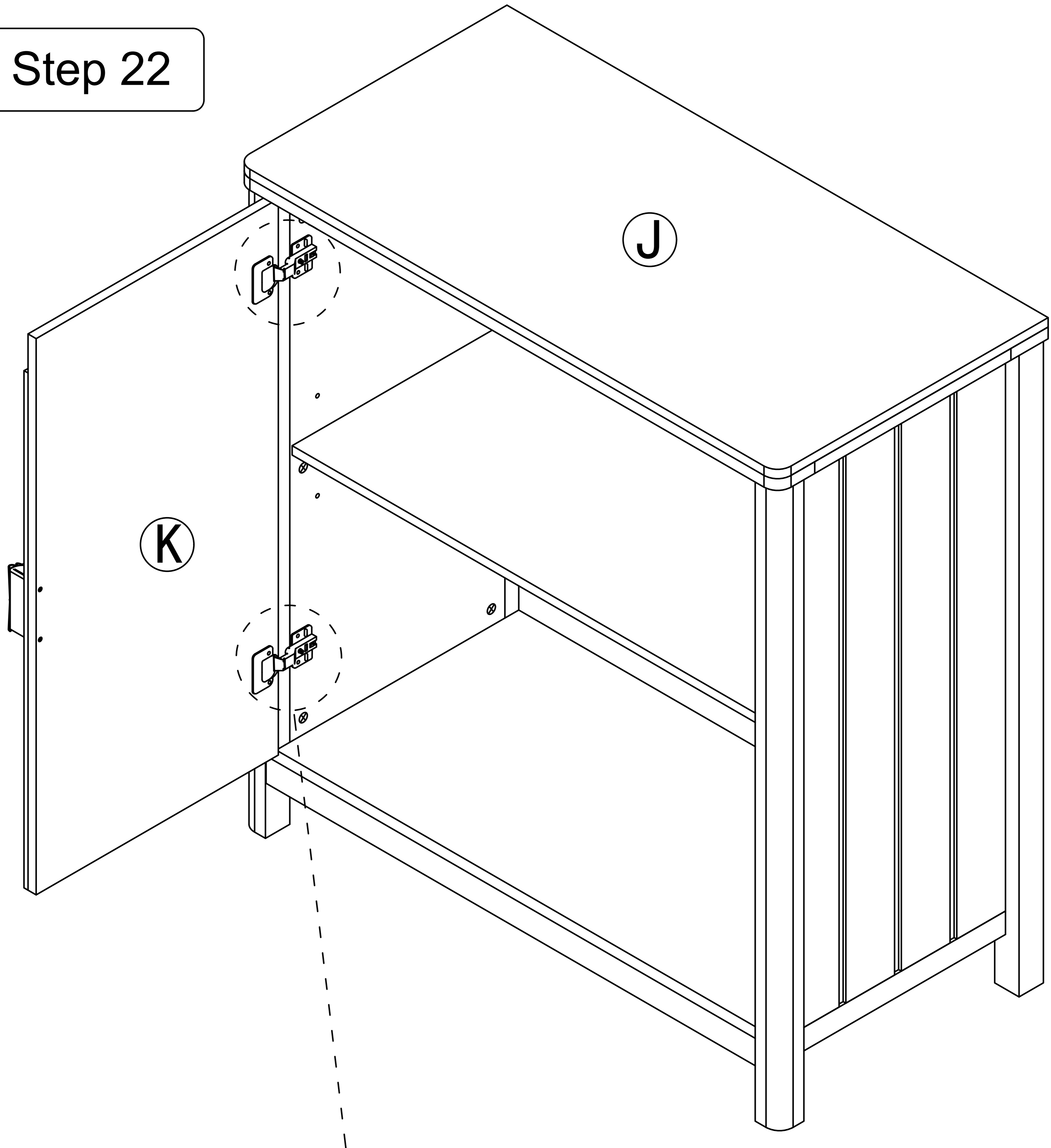
Step 21

9  x8

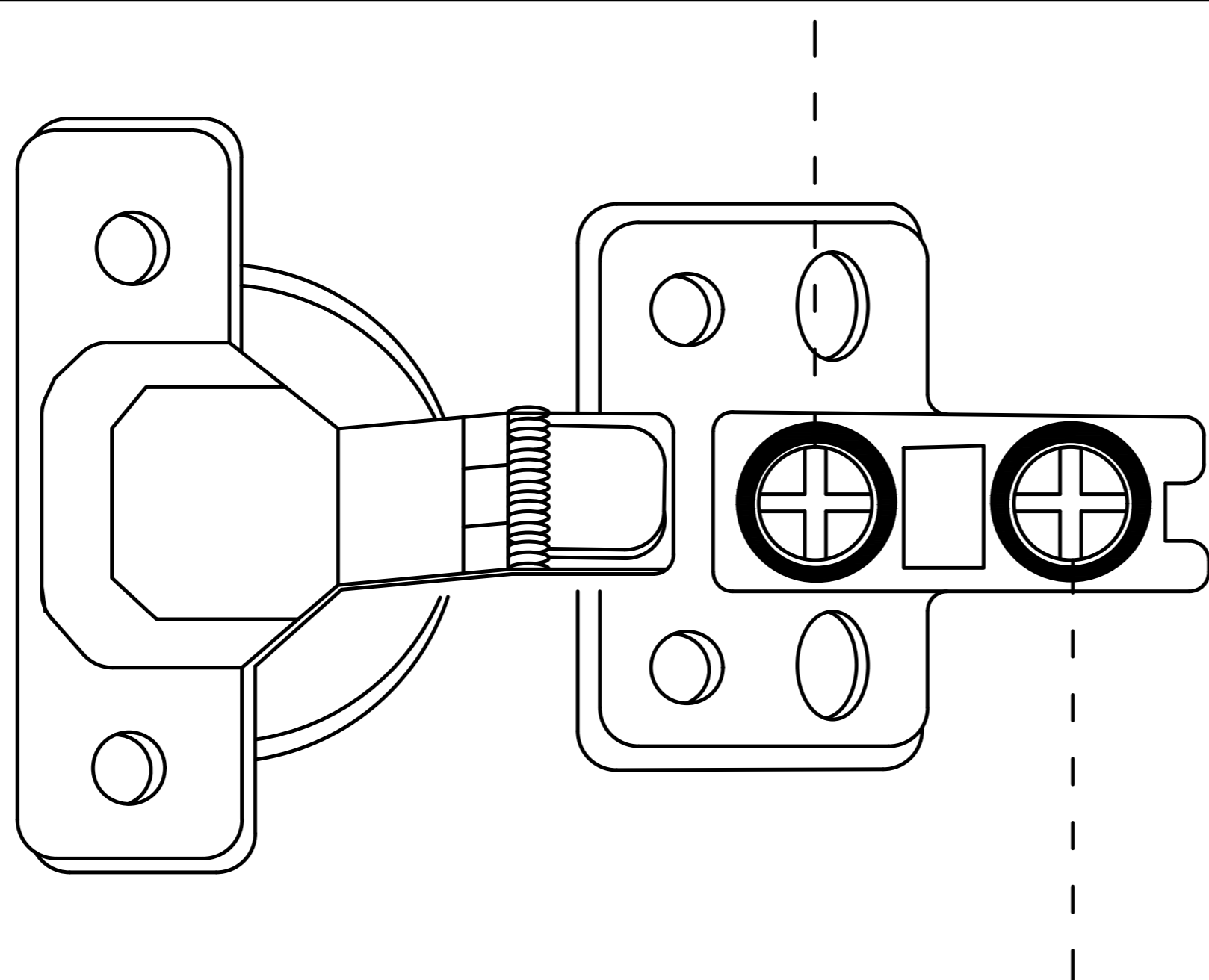


First lock the elliptical hole
then lock the fixed hole

Step 22

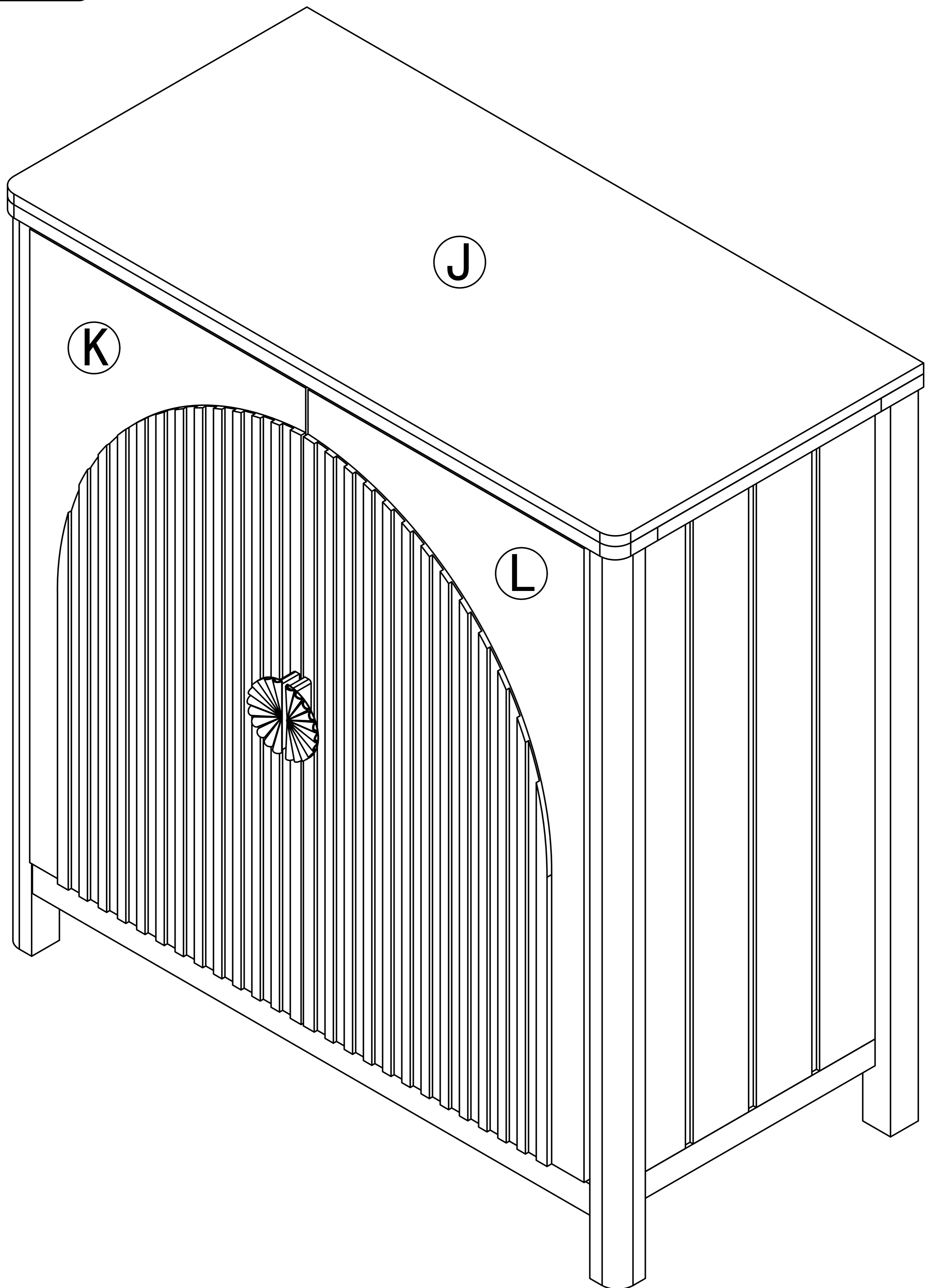
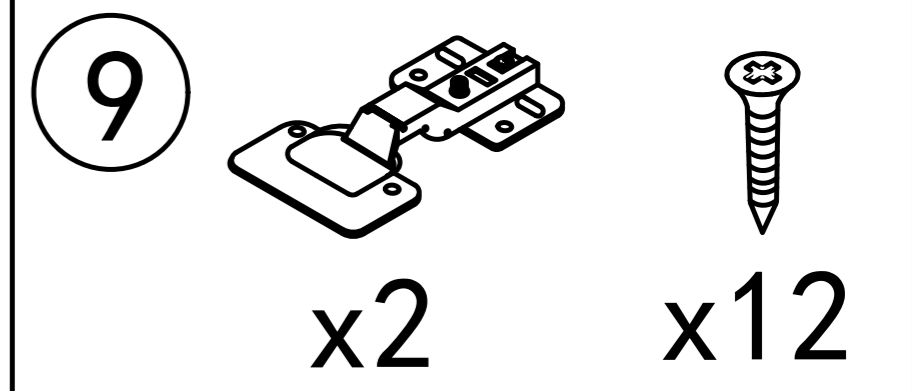


Turning this screw can effectively adjust the size of the door gap.



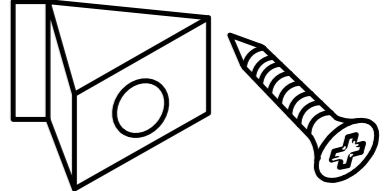
Turn this screw to adjust the door panel to be flat with the side panel.

Step 23



The installation method of the L door panel refers to that of the K door panel

Step 24

7  x12

