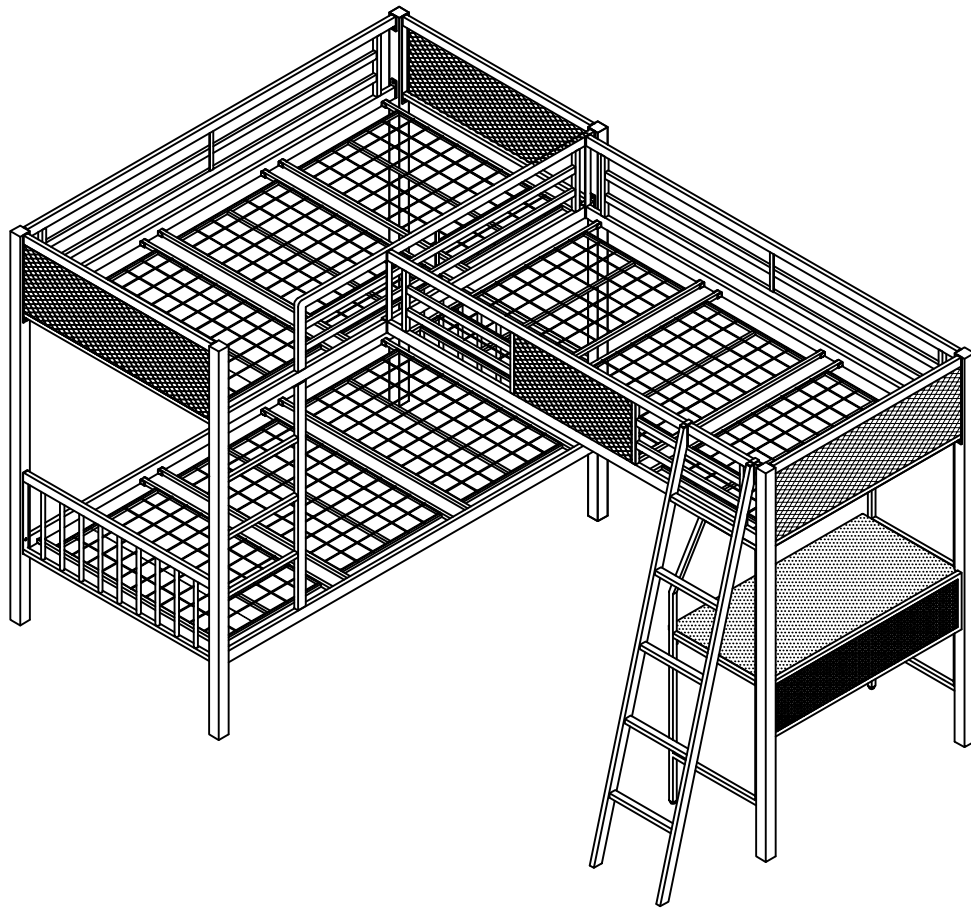


Assembly Instructions



ASSEMBLY RATING

The Assembly Rating is a 5-point system that shows the degree of effort needed in assembling a specific product (with 1 being easy and 5 being difficult). For some products, two persons are recommended.

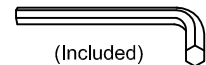
EASY



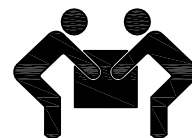
DIFFICULT

Tools Required For Assembly:

Allen Wrench



(Included)



2 PERSONS RECOMMENDED

ASSEMBLY & CARE ADVICE

FOR YOUR FURNITURE TO LAST, CORRECT ASSEMBLY AND PROPER MAINTENANCE ARE NECESSARY. PLEASE FOLLOW THE INFORMATION PROVIDED BELOW TO FULLY ENJOY YOUR FURNITURE.

BASIC ASSEMBLY TECHNIQUES



When lock or spring washer is used in an assembly, please make sure the lock or spring washer is placed between the larger flat washer and the head of the screw or bolt.



Position each part correctly and insert screws or bolts into their respective holes by hand tighten or using the proper hand tool. Only tighten when step is completed or when instructed to do so.



Use cardboard or carpet area when assembling furniture to prevent scratches. Make sure the furniture rests on a flat and level surface with each leg evenly touching the floor.



Some furniture comes with height adjustment knobs underneath each leg. To lower or to raise each leg, you need to turn clockwise or counterclockwise, respectively.



Make sure all parts are properly aligned, then use the appropriate hand tool to completely tighten the bolts or screws. Do not use power tools and do not overtighten.



Save the instructions and store the Allen wrench or any supplied tool for later maintenance. After two weeks, check and tighten any loose hardware and repeat again every six months thereafter.

IT IS THE USER'S RESPONSIBILITY TO MAINTAIN THE FURNITURE. THE HARDWARE MAY LOOSEN OVER TIME AND MAY CAUSE THE FURNITURE TO BE WOBBLY AND UNABLE TO SUPPORT ITS INTENDED WEIGHT CAPACITY. THIS MAY LEAD TO COLLAPSE AND MAY CAUSE SERIOUS INJURY.



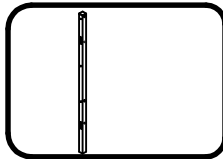
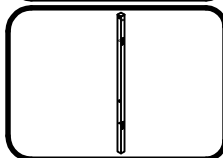
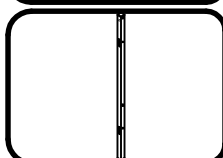
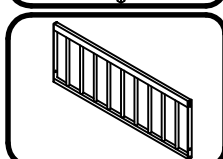
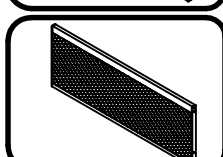
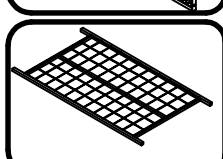
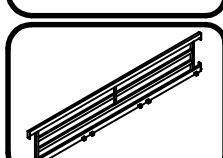
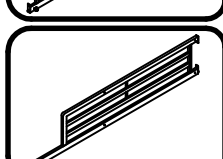
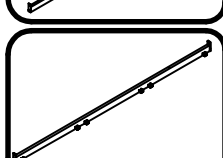
FAILURE TO FOLLOW THE GUIDELINES ABOVE MAY RESULT IN INJURY AND/OR PROPERTY DAMAGE.



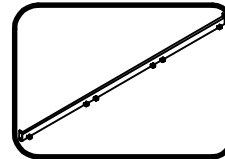
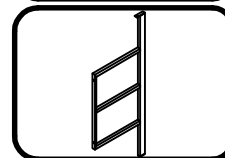
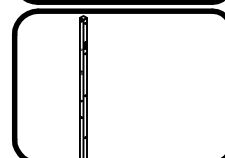
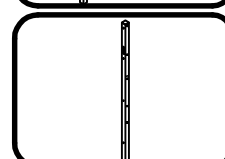
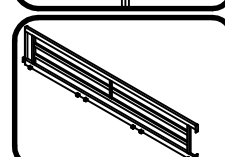
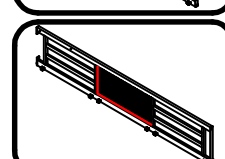
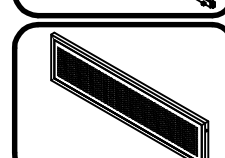
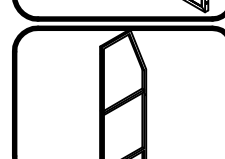
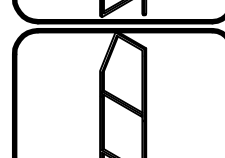
Before you begin, please read Page 2 of "Assembly and Care Advice".

And remember, do not tighten until each step is completed or instructed.

Parts List

-  #1 x 1pc
Left Front Post
-  #2 x 2pcs
Right Front Post
Left Back Post
-  #3 x 1pc
Right Back Post
-  #4 x 2pcs
Bottom Panel
-  #5 x 3pcs
Upper Panel
-  #6 x 9pcs
Bed Base Frame
-  #7 x 1pc
Back Panel
-  #8 x 1pc
Front Panel
-  #9 x 1pc
Bottom Back Rail

Parts List

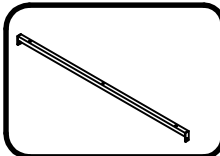
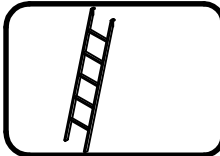
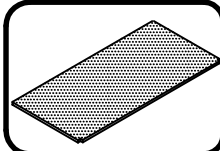
-  #10 x 1pc
Bottom Front Rail
-  #11 x 1pc
Ladder A
-  #12 x 1pc
Post 1
-  #13 x 1pc
Post 2
-  #14 x 1pc
Back Guardrail
-  #15 x 1pc
Front Guardrail
-  #16 x 1pc
Panel
-  #17 x 1pc
Desk Right Frame
-  #18 x 1pc
Desk Left Frame



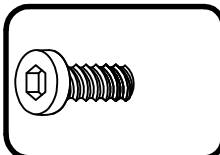
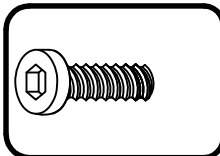
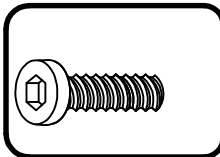
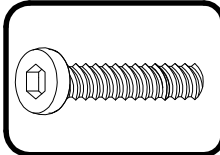
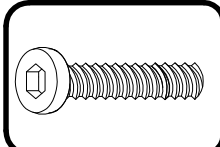
Before you begin, please read Page 2 of "Assembly and Care Advice".

And remember, do not tighten until each step is completed or instructed.

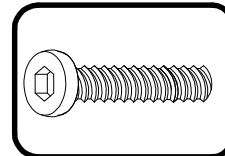
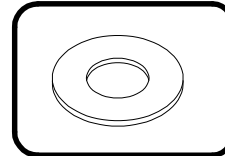
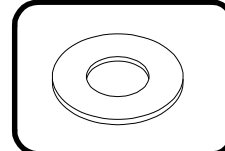
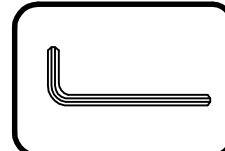
Parts List

-  #19 x 2pcs
Rails
-  #20 x 1pc
Ladder B
-  #21 x 1pc
Top Board

Hardware List

-  #A x 66pcs
Bolt $\phi 1/4$ "x5/8"
-  #B x 2pcs
Bolt $\phi 1/4$ "x1"
-  #C x 6pcs
Bolt $\phi 1/4$ "x1-1/4"
-  #D x 18pcs
Bolt $\phi 1/4$ "x1-1/2"
-  #E x 1pc
Bolt $\phi 1/4$ "x2-3/4"

Hardware List

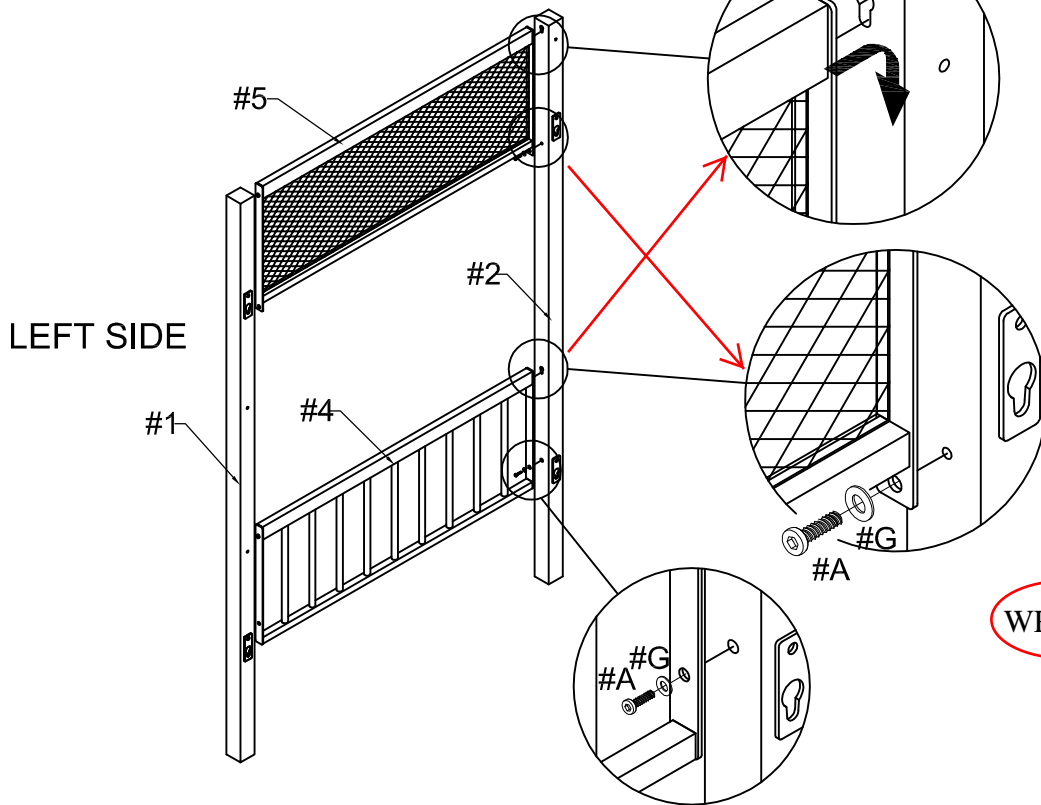
-  #F x 2pcs
Bolt $\phi 5/16$ "x1-1/2"
-  #G x 93pcs
Flat Washer $\phi 16$ mm
-  #H x 2pcs
Flat Washer $\phi 18$ mm
-  #I x 1pc
Allen Wrench M4
-  #J x 1pc
Allen Wrench M5



ASSEMBLY

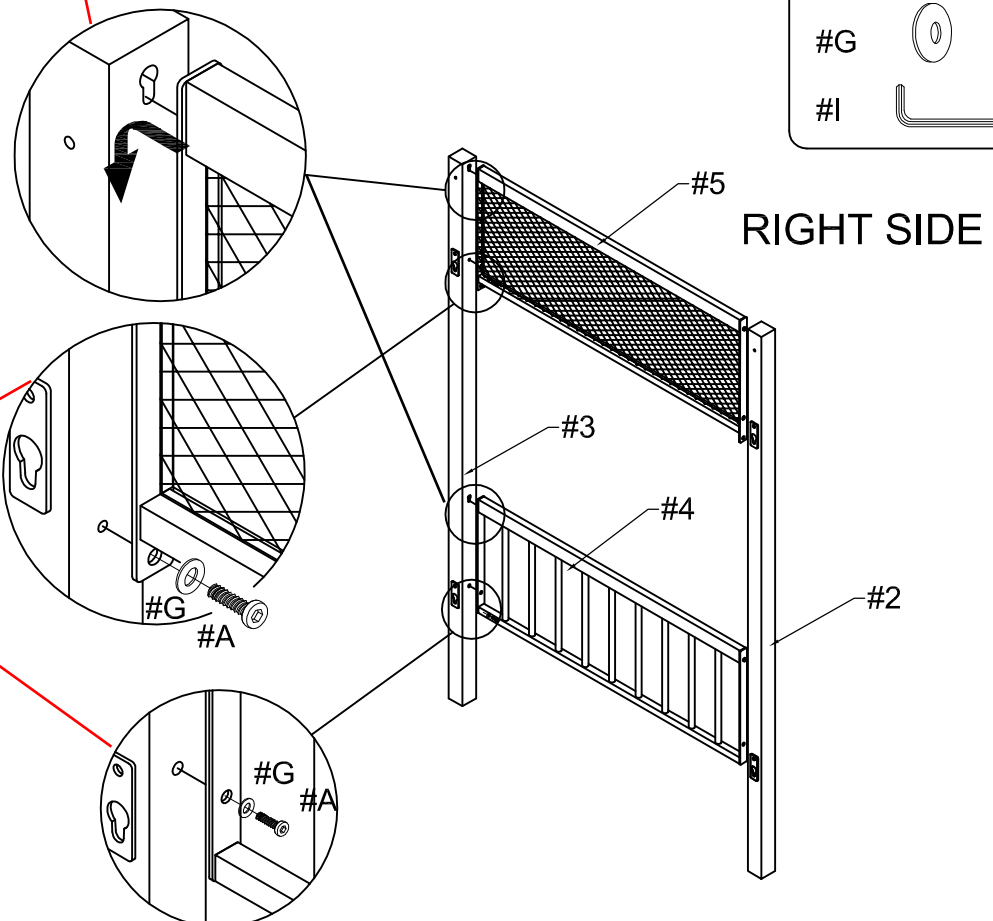
Do not fully tighten all bolts until assembly is complete. This will help all parts to assemble properly.

- #A 4pcs
- #G 4pcs
- #I

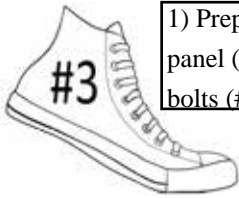


1) Attach the top holes of the upper panel (#5) and bottom panel (#4) to the holes of the left and right back post (#2,3).


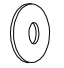

- #A 4pcs
- #G 4pcs
- #I

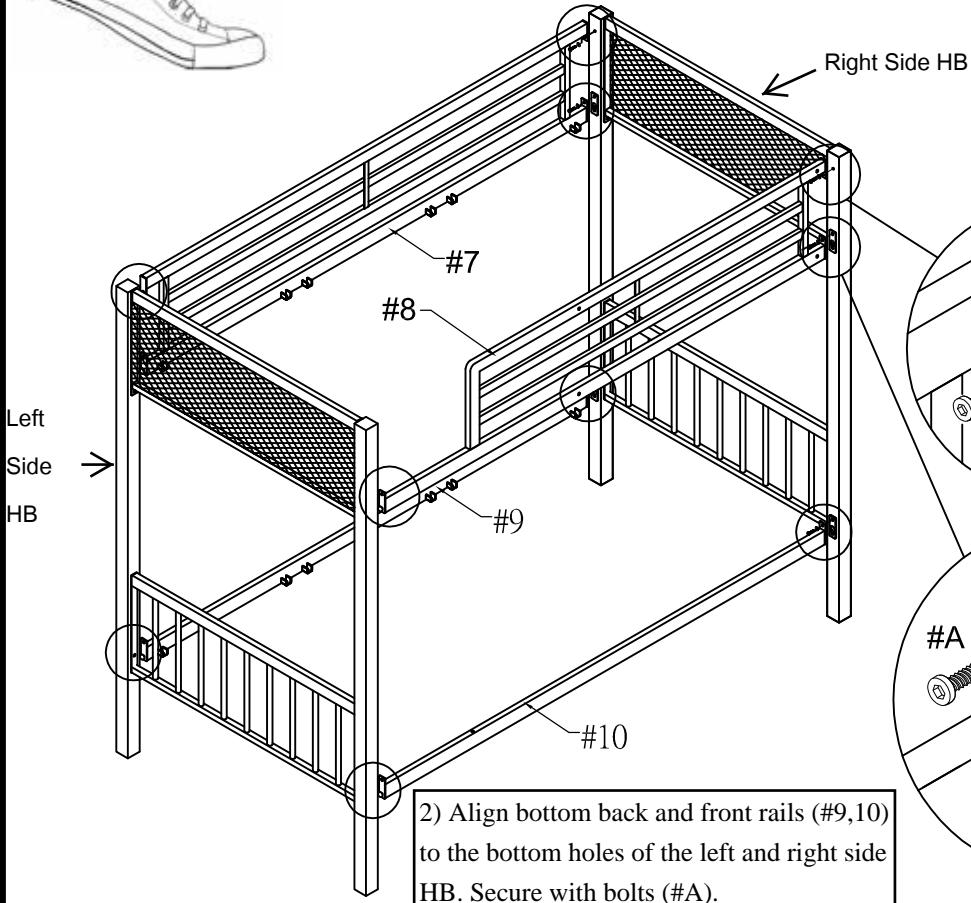


2) Prepare 4 bolts assembly by inserting flat washer (#G) onto bolts (#A). Align the bottom holes of the upper panel (#5) and bottom panel (#4) to the holes of the left and right back post (#2,3) Secure with bolts (#A).

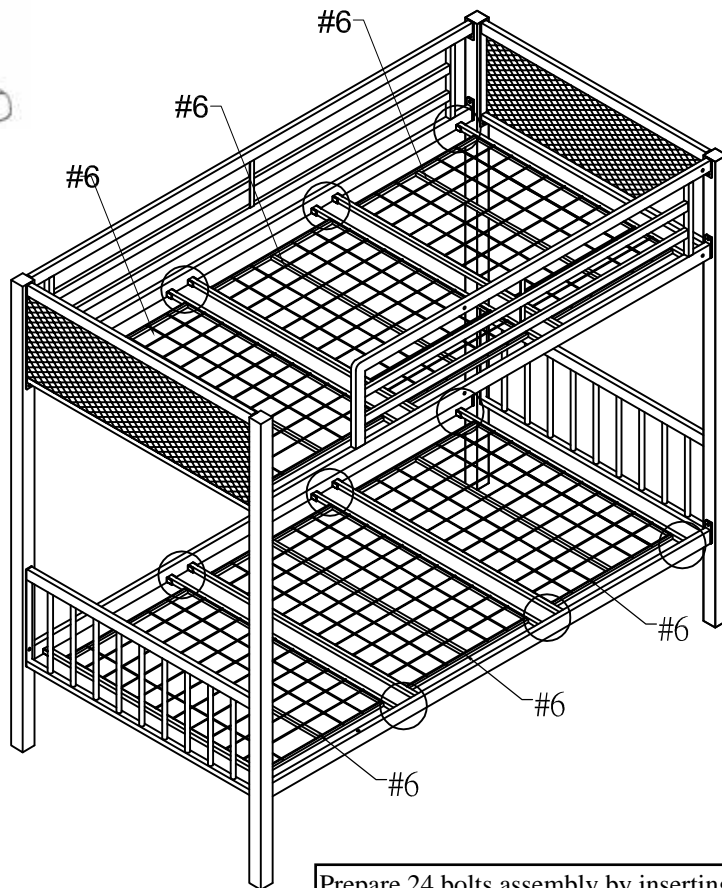



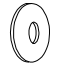

1) Prepare 11 bolts assembly by inserting flat washer (#11) onto bolts (#A). Align back panel (#7) and front panel (#8) to the holes of the right and left side HB. Secure with bolts (#A).

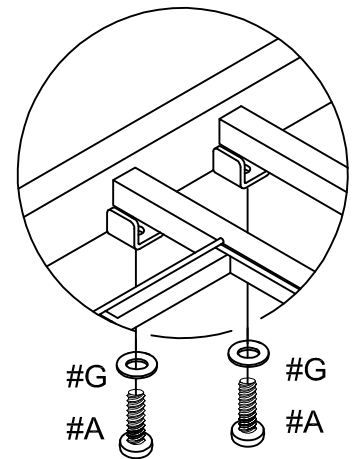
- #A  11pcs
- #G  11pcs
- #I 



2) Align bottom back and front rails (#9,10) to the bottom holes of the left and right side HB. Secure with bolts (#A).








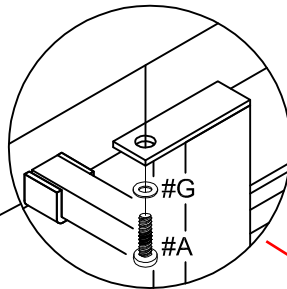
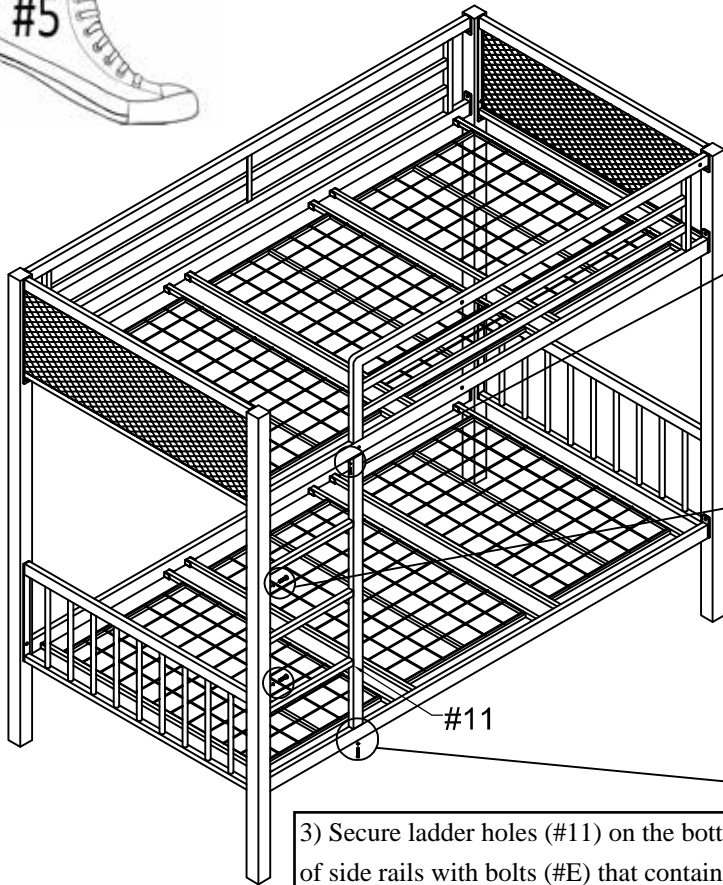
- #A  24pcs
- #G  24pcs
- #I 



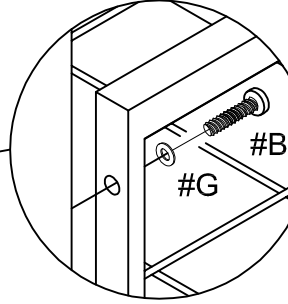
Prepare 24 bolts assembly by inserting flat washer (#G) onto bolts (#A). Align bed base frame (#6) to the holes of the side rails. Secure with bolts (#A) as shown in the picture.



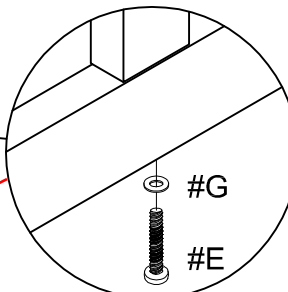
- #A  1pc
- #B  2pc
- #E  1pc
- #G  4pcs
- #I 



1) Align ladder A (#11) to the holes in-between the bunk beds. Secure the top ladder (#11) hole with Bolts (#A) that contains lock washer (#G).







2) Secure ladder holes (#11) on the side of the left HB with bolts (#B) that contains washer (#G).

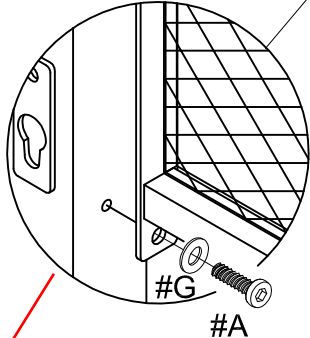
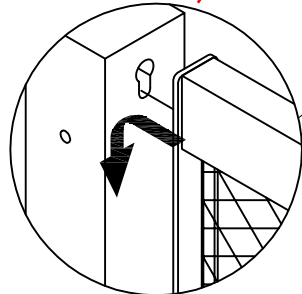


3) Secure ladder holes (#11) on the bottom of side rails with bolts (#E) that contains washer (#G).

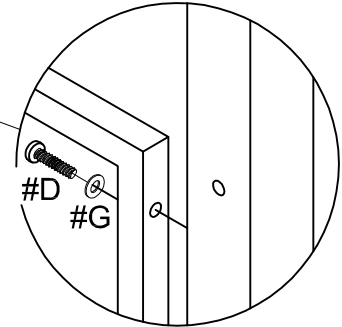
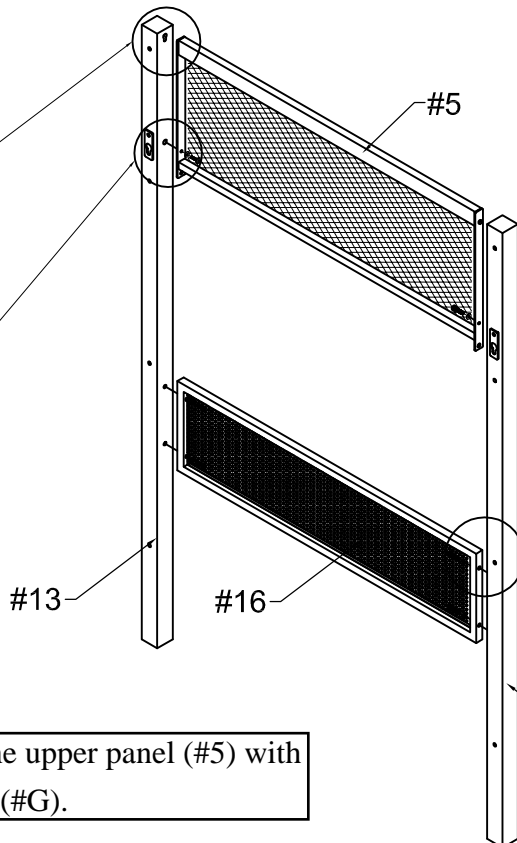


1) Align upper panel (#5) to the top holes of the posts (#12,13). Attach the upper panel (#5) top holes to the top holes of the posts (#12,13).




- #A  2pcs
- #D  4pcs
- #G  6pcs
- #I 

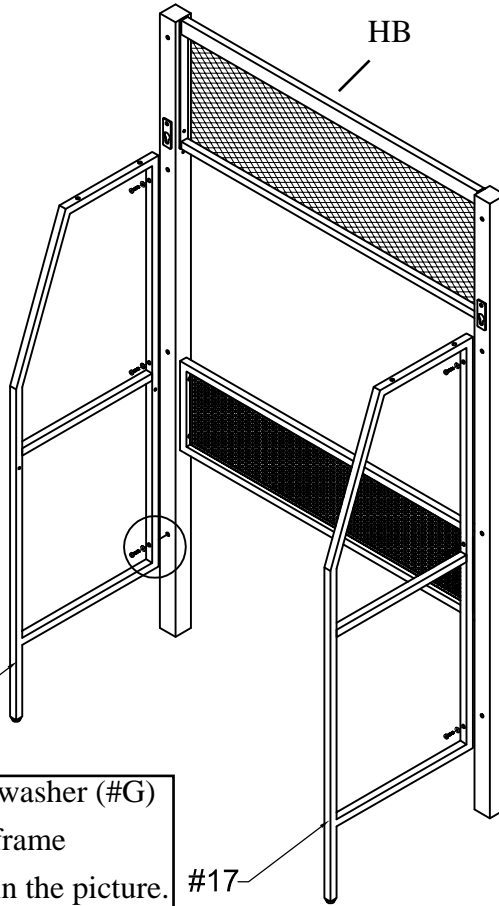
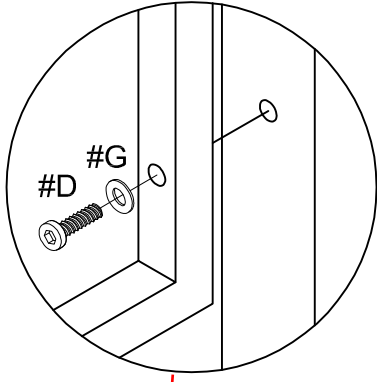


2) Secure the bottom holes of the upper panel (#5) with bolts (#A) that contains washer (#G).








- #D  6pcs
- #G  6pcs
- #I 

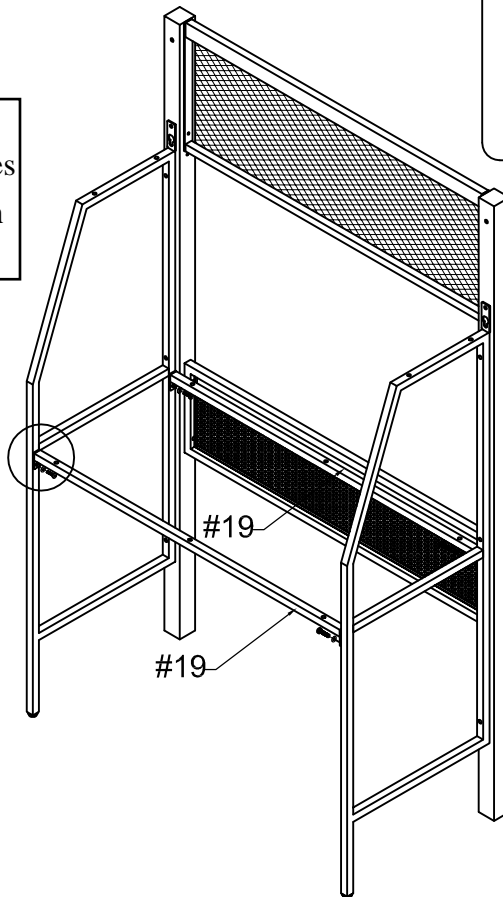
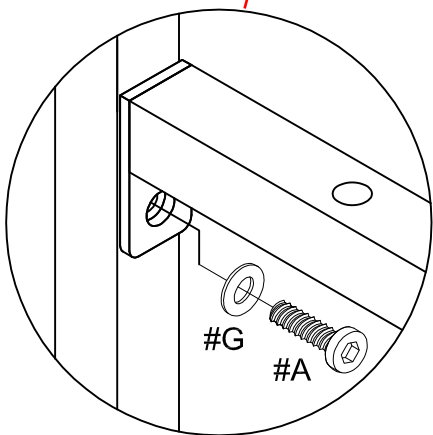


Prepare 6 bolts assembly by inserting flat washer (#G) onto bolts (#D). Align desk right and left frame (#17,18) to the holes of the HB as shown in the picture. Secure with bolts (#D).






- #A  4pcs
- #G  4pcs
- #I 

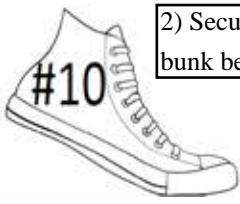
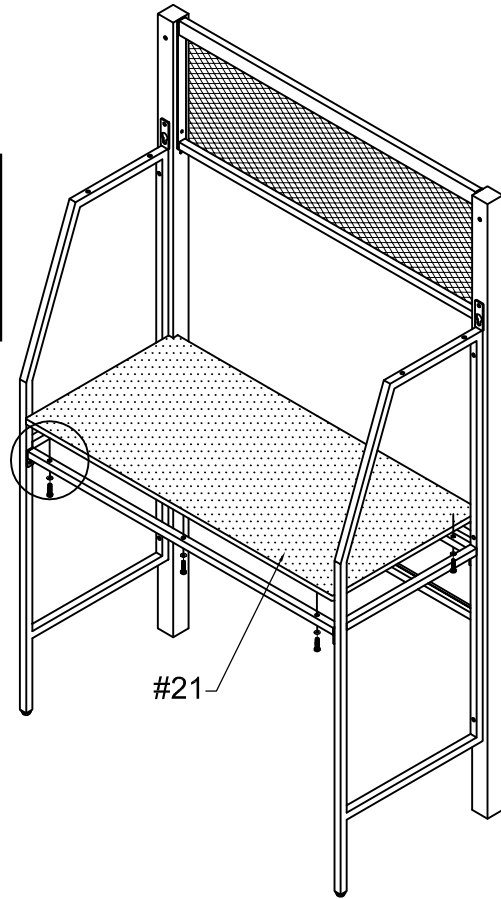
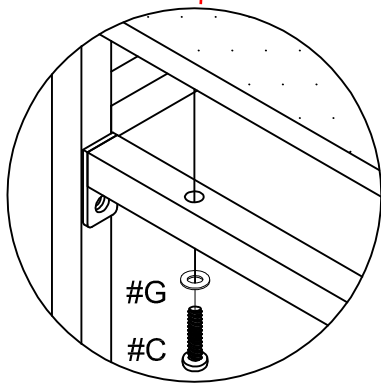
Prepare 4 bolts assembly by inserting flat washer (#G) onto bolts (#A). Align rails (#19) to the holes in-between the desk frames (#17,18). Secure with bolts (#A).









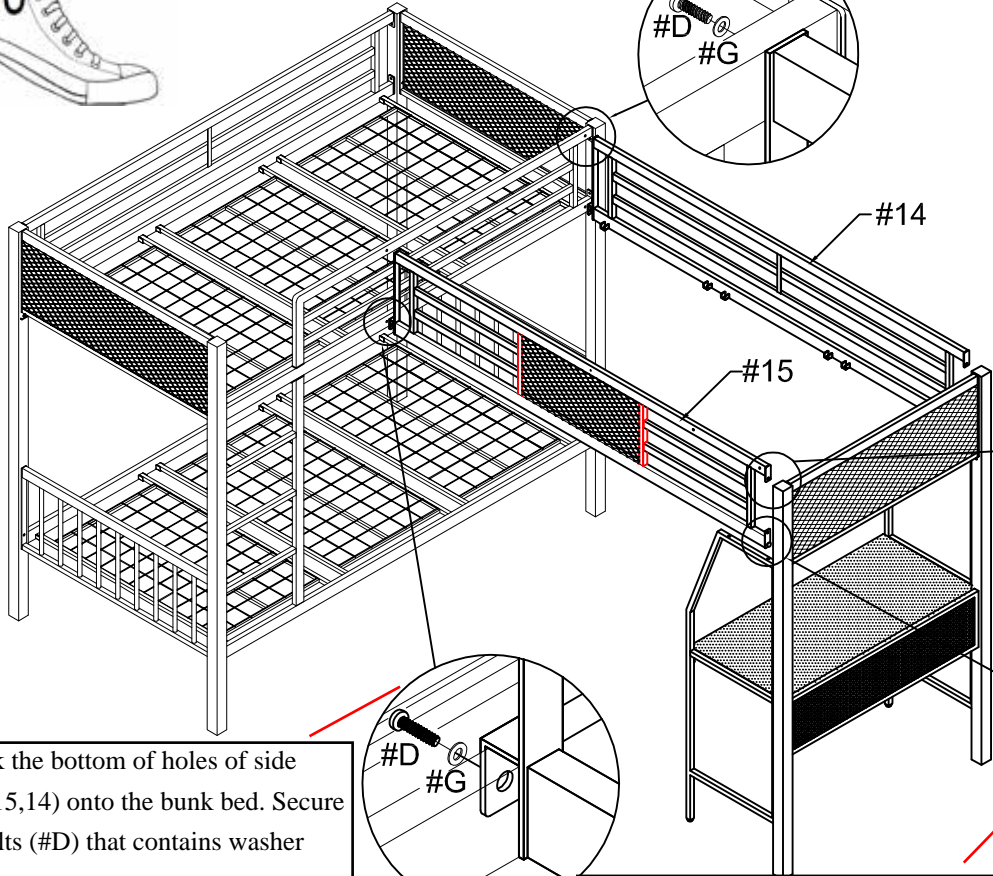
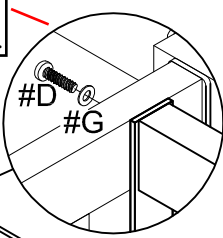
Prepare 6 bolts assembly by inserting flat washer (#G) onto bolts (#C). Align top board (#21) to the holes of the desk. Secure with bolts (#C).

- #C  6pcs
- #G  6pcs
- #I 

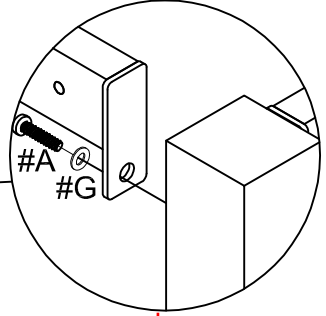


2) Secure top holes of the side rails (#15,14) onto bunk bed with bolts (#D) that contains washer (#G).

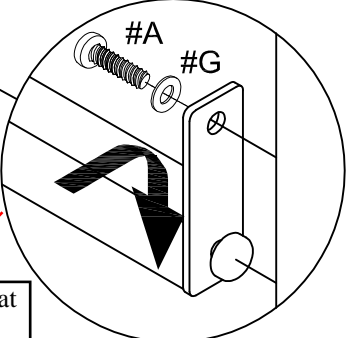
- #A  4pcs
- #D  4pcs
- #G  8pcs
- #I 

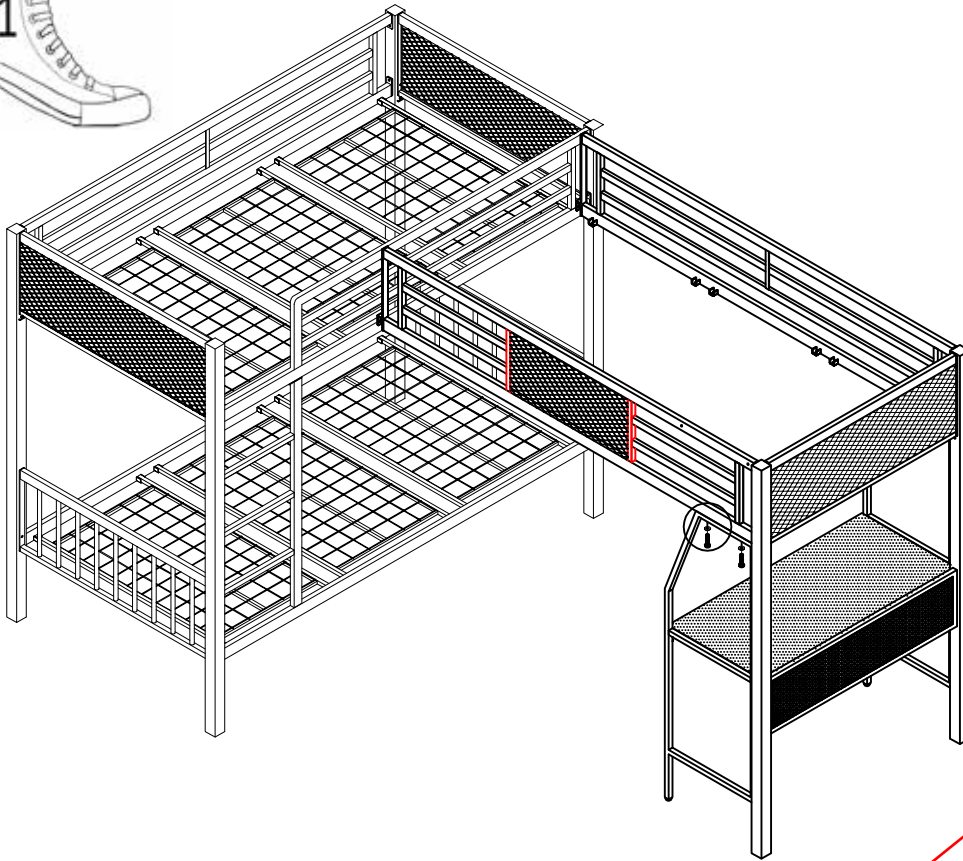



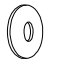

1) Hook the bottom of holes of side rails (#15,14) onto the bunk bed. Secure with bolts (#D) that contains washer (#G).

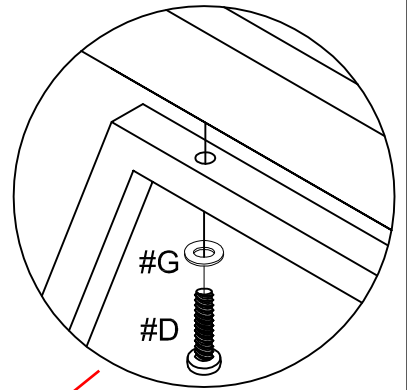


3) Secure rails to desk with bolts (#A) that contains washer (#G).

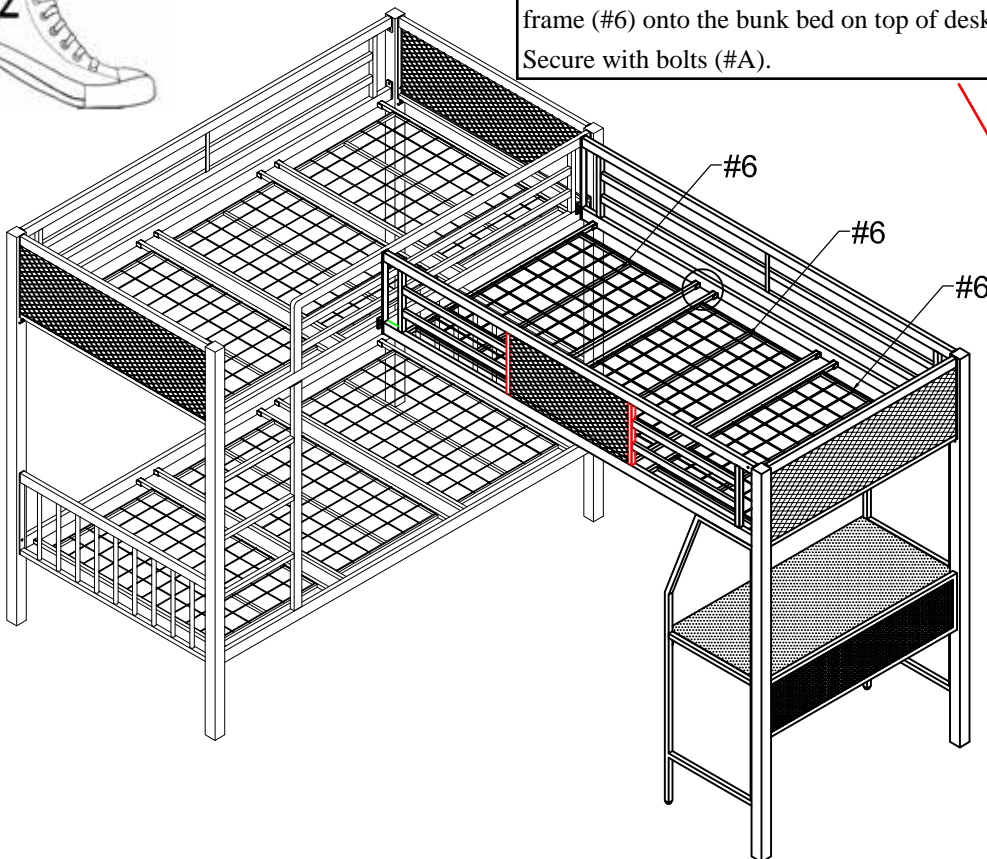







- #D  4pcs
- #G  4pcs
- #I 

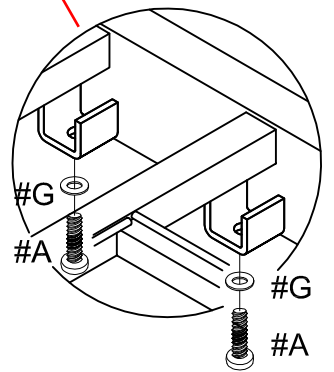


Prepare 4 bolts assembly by inserting flat washer (#G) onto bolts (#D). Secure bottom holes, where the side rails are resting on the desk, with bolts (#D).






Prepare 12 bolts assembly by inserting flat washer (#G) onto bolts (#A). Place bed base frame (#6) onto the bunk bed on top of desk. Secure with bolts (#A).

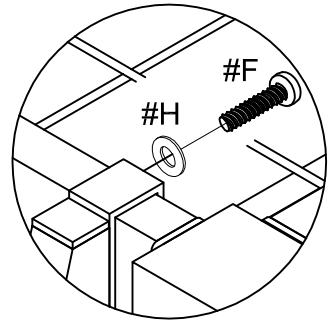
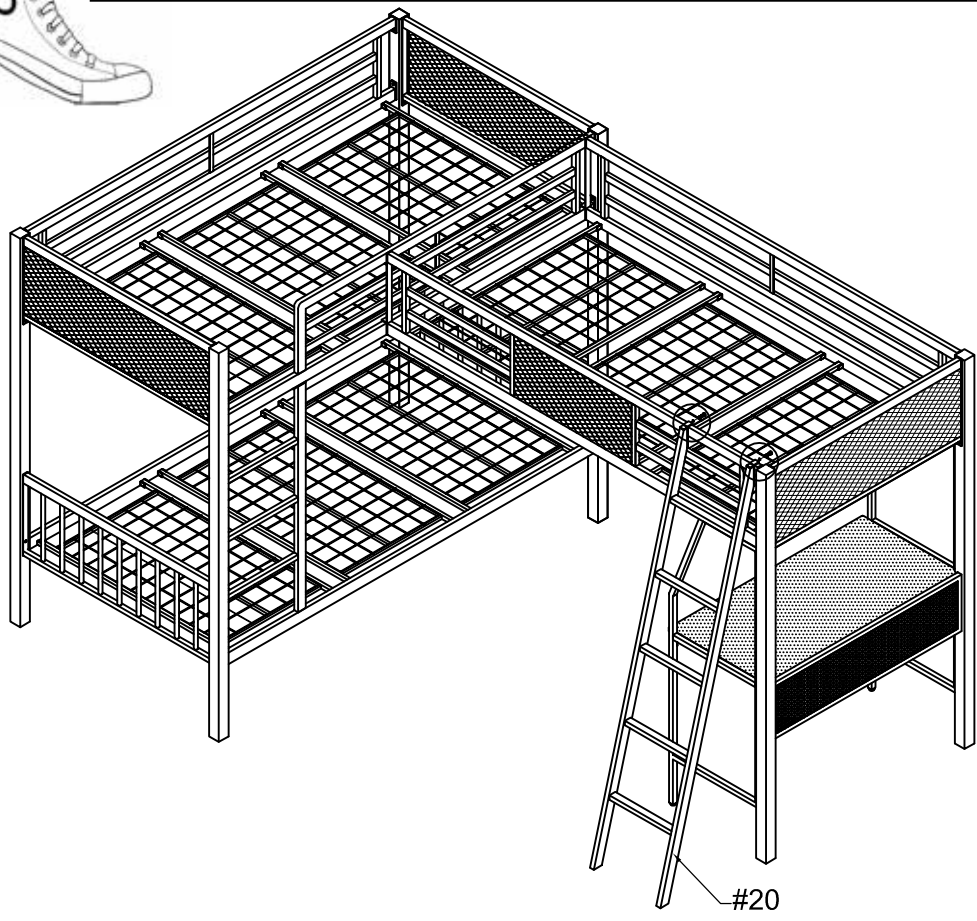
- #A  12pcs
- #G  12pcs
- #I 



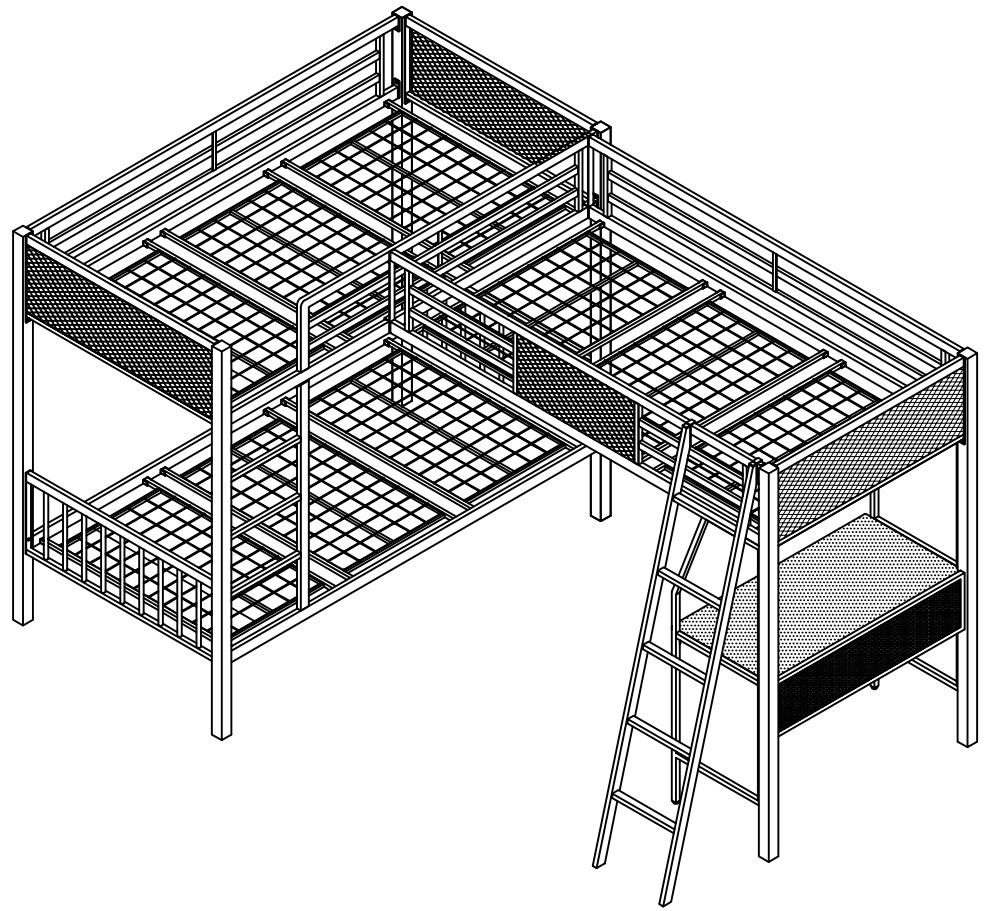


Prepare 2 bolts assembly by inserting flat washer (#H) onto bolts (#F). Place ladder (#20) resting on the side rail of bunk bed with desk. Secure with bolts (#F).

- #F  2pcs
- #H  2pcs
- #J 



Assembly Completed



Safety Warnings

1. Follow the information on the warnings appearing on the upper bunk end structure and on the carton . Do not remove warning label from bed.
2. Always use the recommended size mattress or mattress support, or both, to help prevent the likelihood of entrapment or falls.
3. Surface of mattress must be at least 5 in (127mm) below the upper edge of guardrails .
4. Do not allow children under 6 years of age to use the upper bunk.
5. Periodically check and ensure that the guardrail, ladder, and other components are in their proper position, free from damage, and that all connectors are tight .
6. Do not allow horseplay on or under the bed and prohibit jumping on the bed.
7. Always use the ladder for entering and leaving the upper bunk.
8. Do not use substitute parts, Contact manufacturer or dealer for replacement parts.
9. Use of a night light may provide added safety precaution for a child using the upper bunk.
10. Always use guardrails on both long sides of the upper bunk.
If the bunk bed will be placed next to the wall, the guardrail that runs the full length of the bed should be placed against the wall to prevent entrapment between the bed and the wall.
11. The use of water or sleep flotation mattress is prohibited .
12. Keep these instructions for future reference.
13. Use only mattress which is (74"-75")X(37 $\frac{1}{2}$ "-38 $\frac{1}{2}$ ")X6" on upper bunk and for bottom bunk required (74"-75")X(37 $\frac{1}{2}$ "-38 $\frac{1}{2}$ ")X8" mattress.
14. Prohibit more than one person on upper bunk.
15. Maximum total weight is not to exceed 400 lbs. on the upper bunk.

STRANGULATION HAZARD:

Never attach or hang items to any part of the bunk bed that are not designed for use with the bed, for example, but not limited to, hooks, belts, and jump ropes.