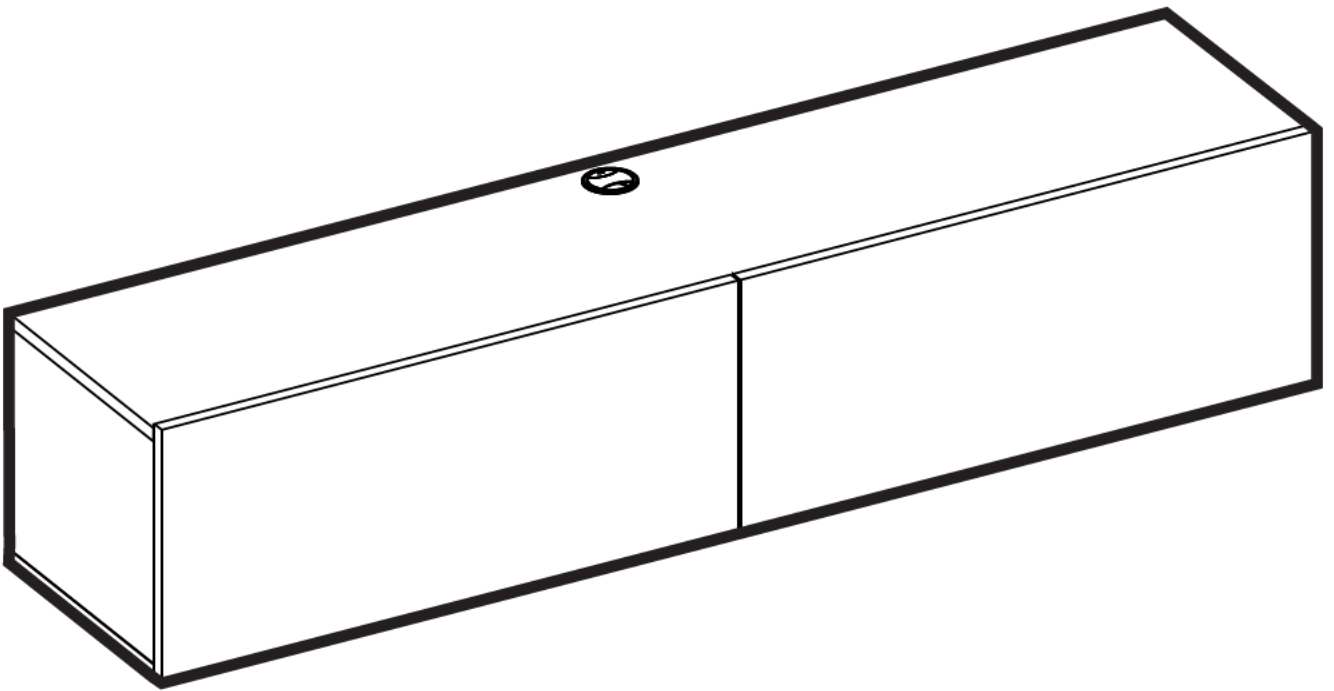
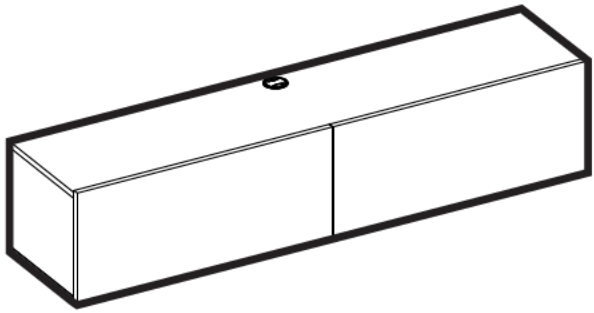


Floating Tv Stand Assembly Instruction

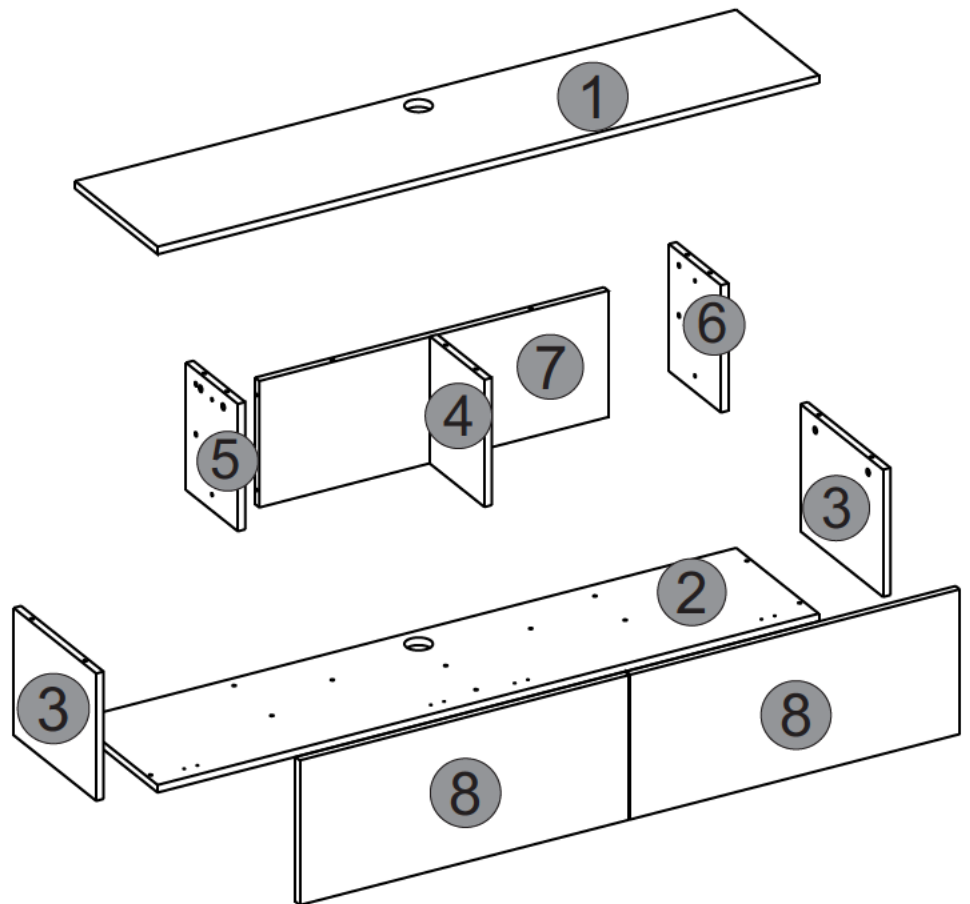


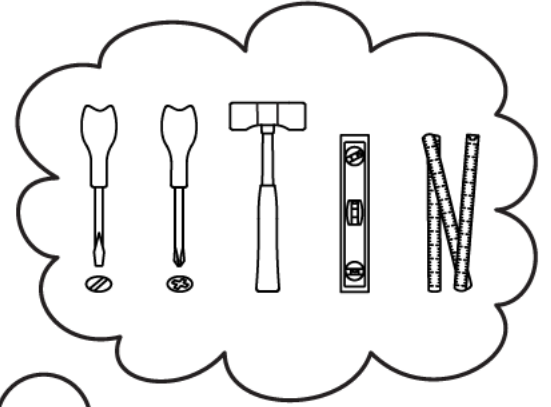
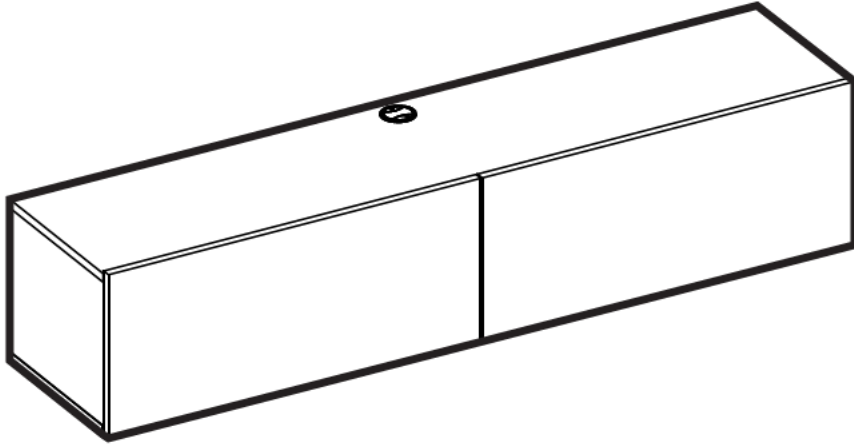


Disassembled Parts



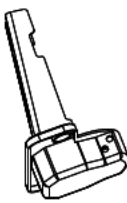
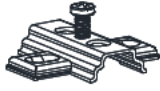
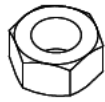



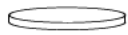


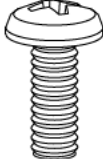

Part#1	1x
Part#2	1x
Part#3	2x
Part#4	1x
Part#5	1x
Part#6	1x
Part#7	1x
Part#8	2x

Total **10x**



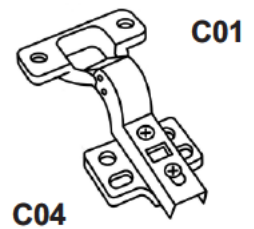


Tools & Installation Components

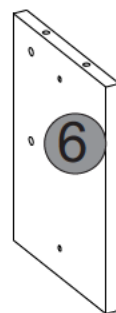
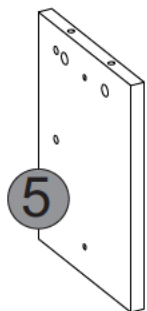
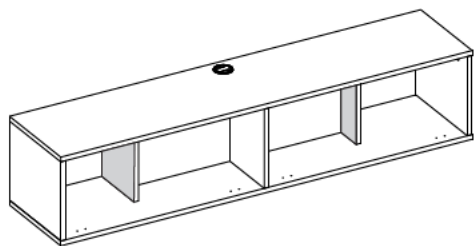
- | | | | | | | |
|---|---|--|---|--|--|--|
| 
mtd-017 asm brkt
2x | 
A05 KBL GECS
1x | 
C1 DM
4x | 
C4 aks37 taban
4x | 
B1 m6 somun
4x | 
D2 Pls dbl 5X70
2x | 
A19 3,5x18 SNT VDASI
20x |
| 
A02 15x14 gövde
12x | 
A03 Q10 mil
12x | 
Q15 ypşkn tapa 2
10x | 
Q12 ypşkn tapa 1
4x | 
A17 6x50 KBN VDASI
18x | 
M3 m6x30 ysb vida
4x | 
A20 5X70 SNT VIDASI
2x |



Please be aware that C01(bracket) and C04(pivot) parts may come as attached together.

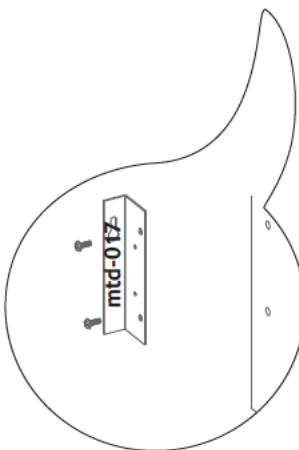


1

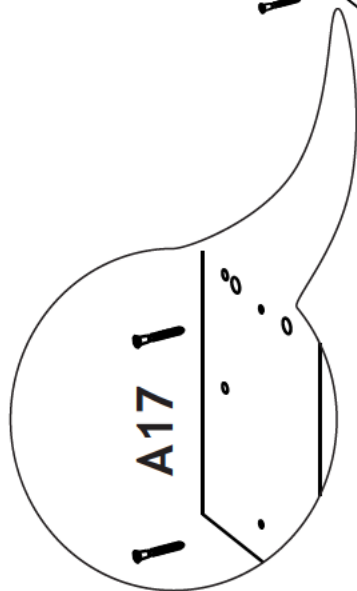
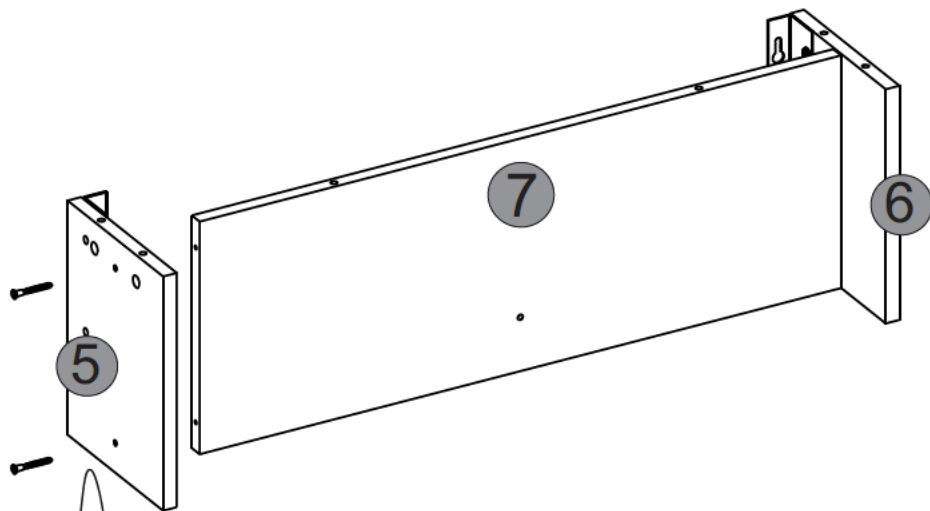


B01
B01

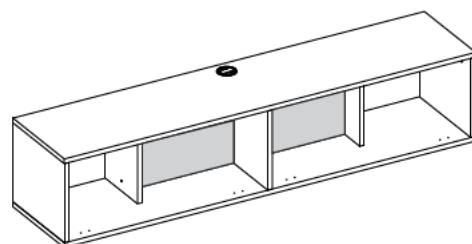
M3

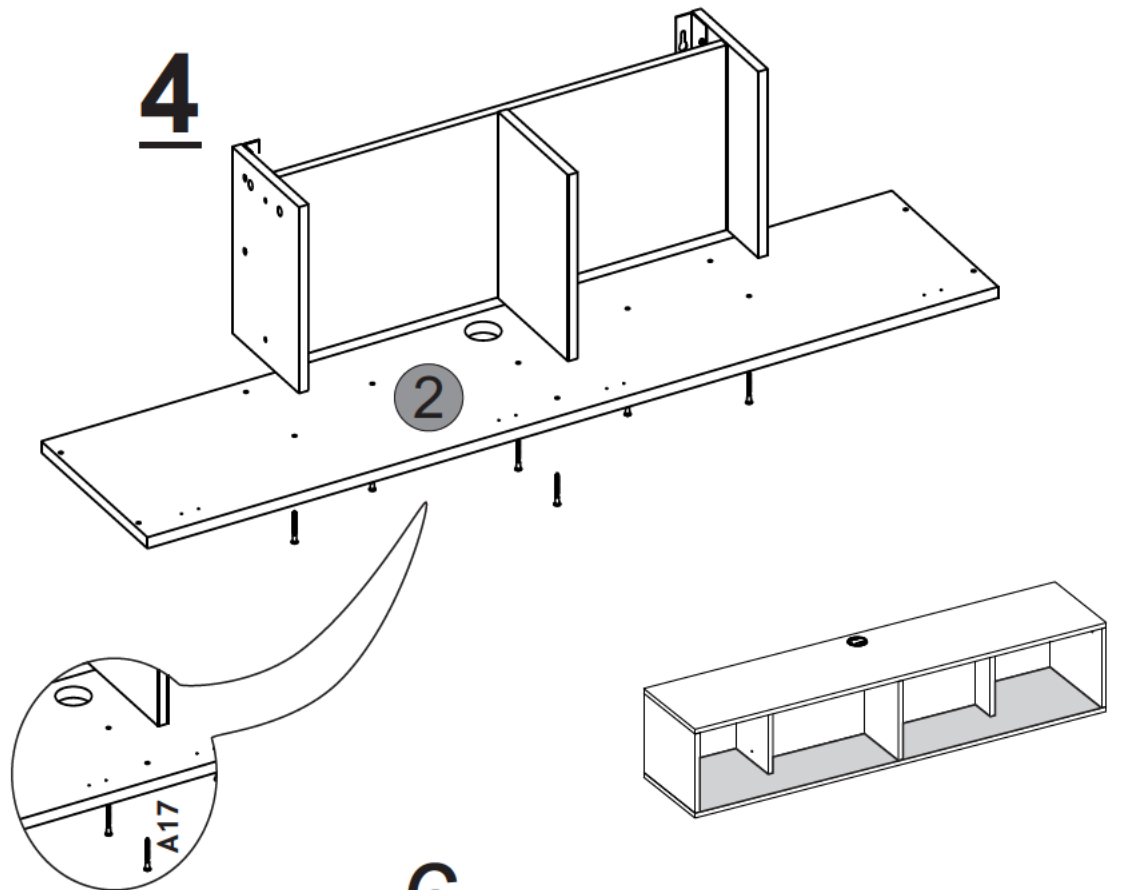
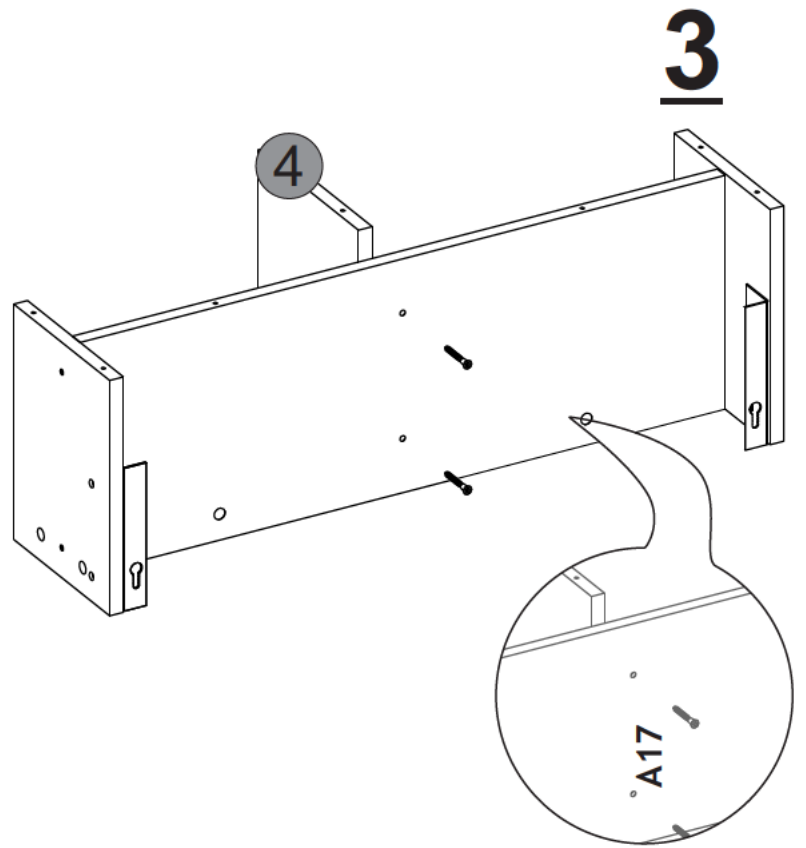
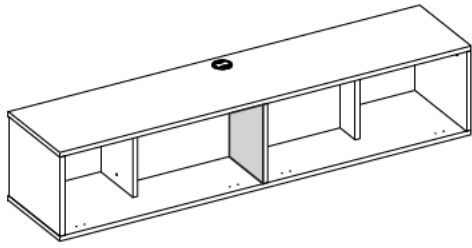


2

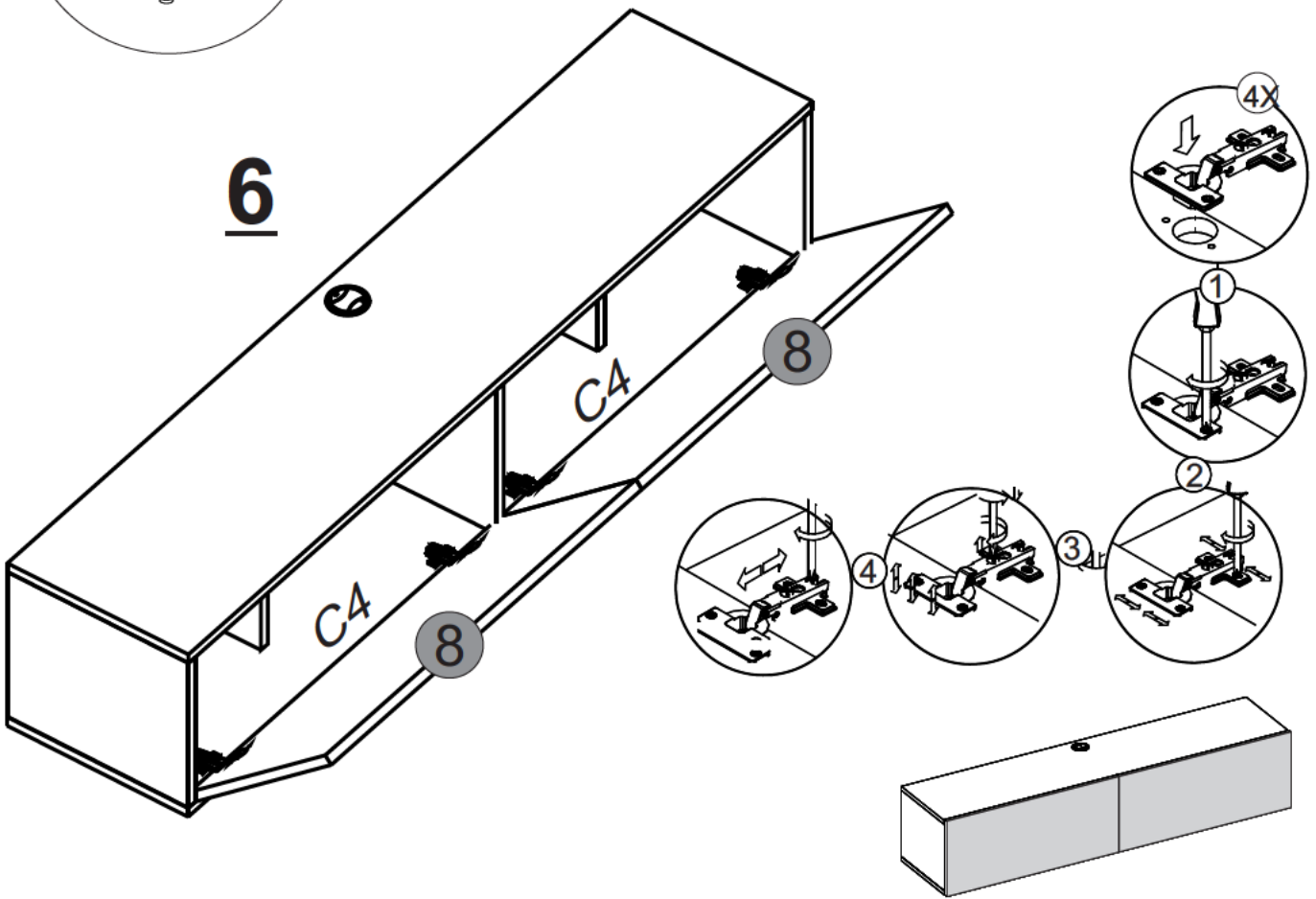
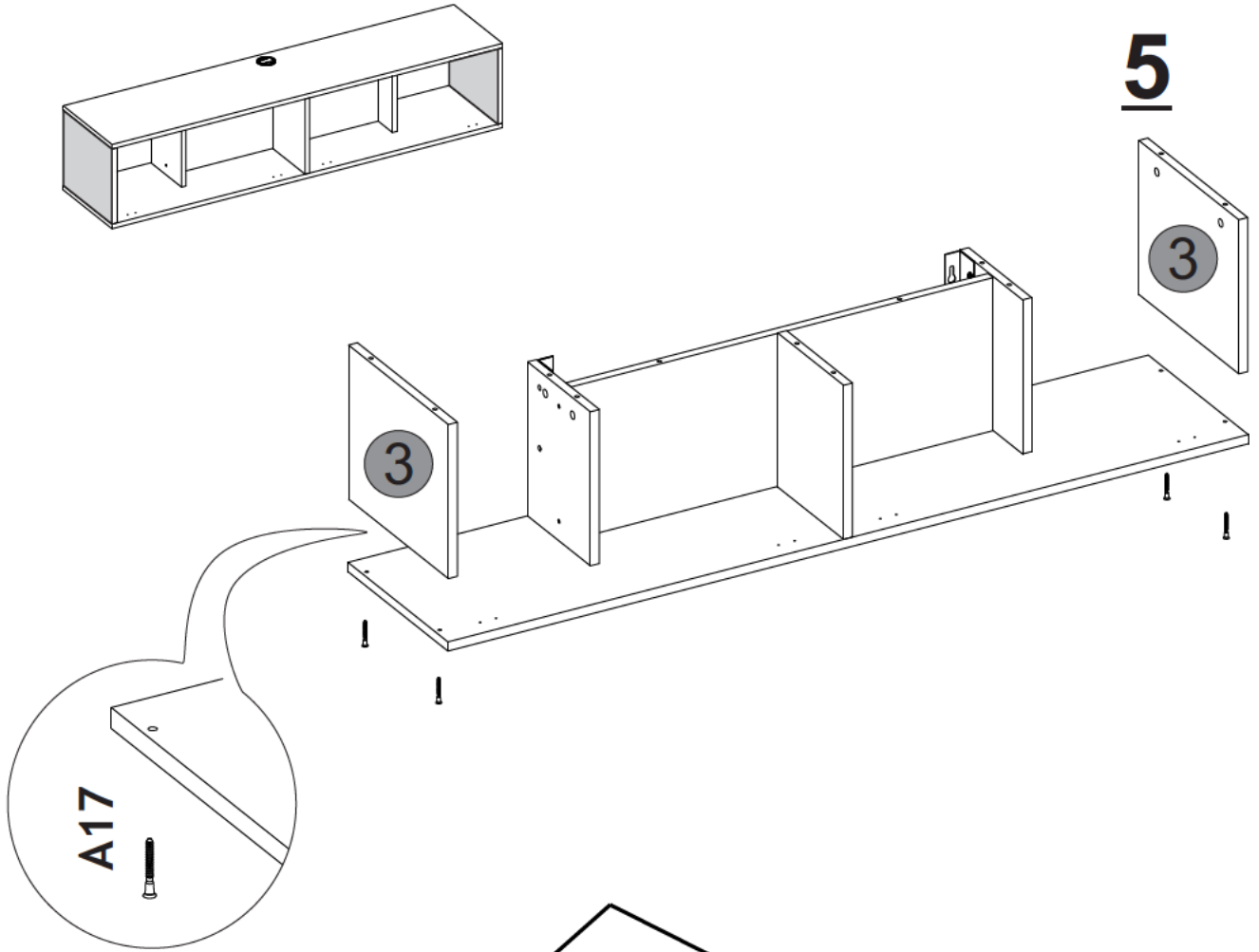


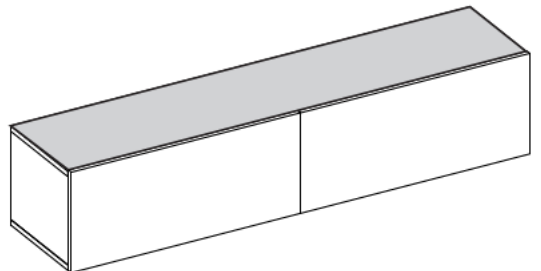
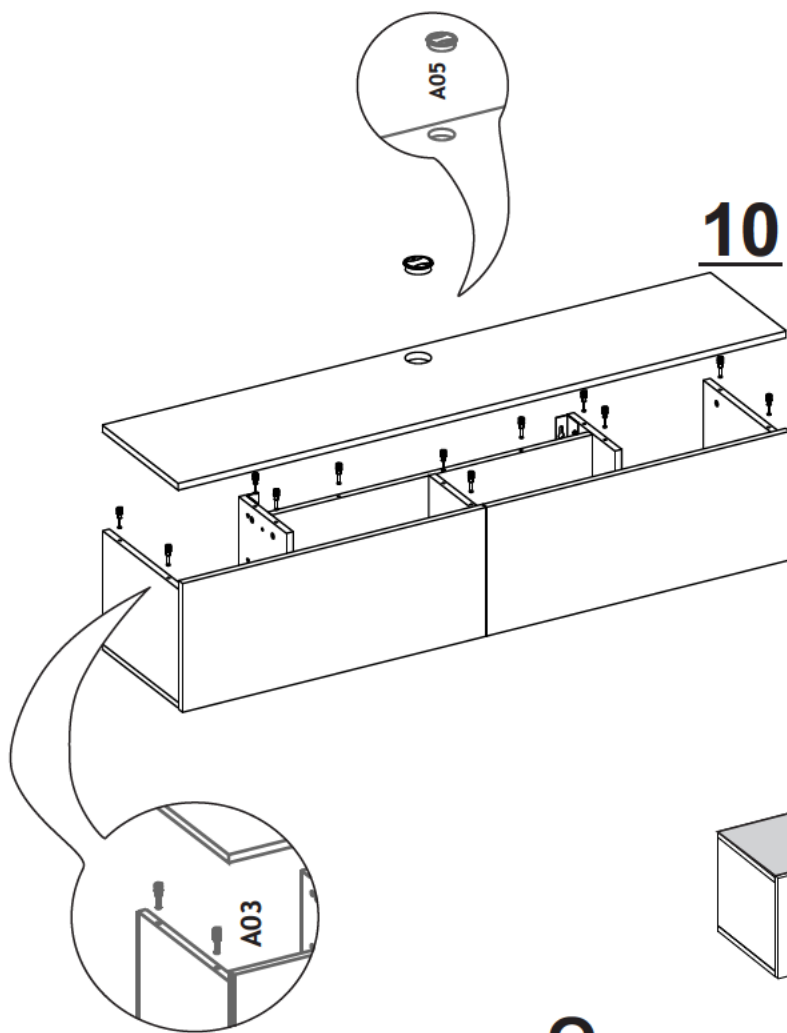
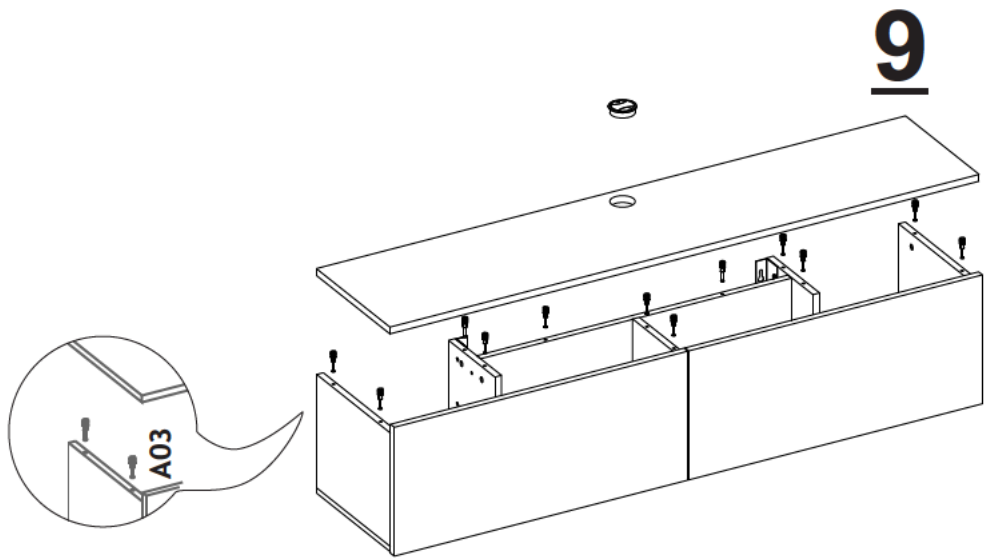
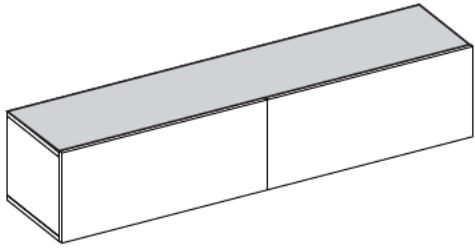
5



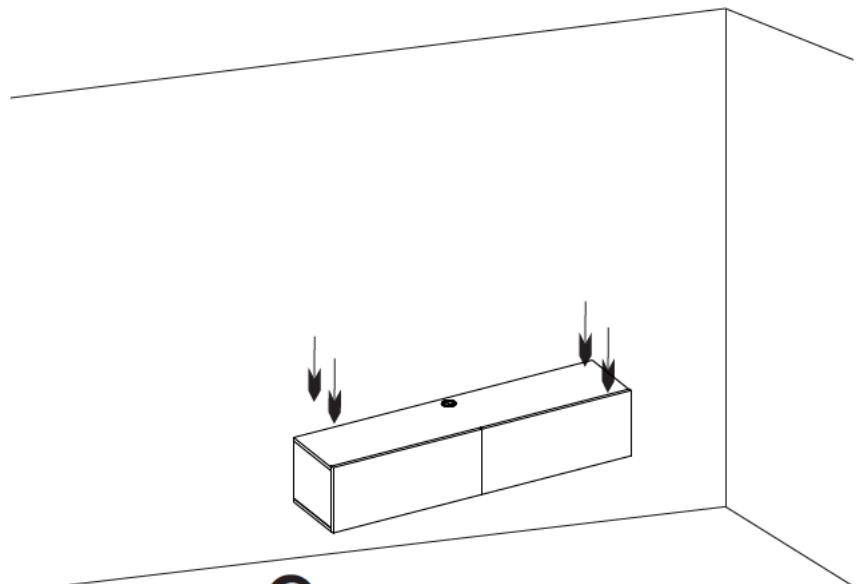
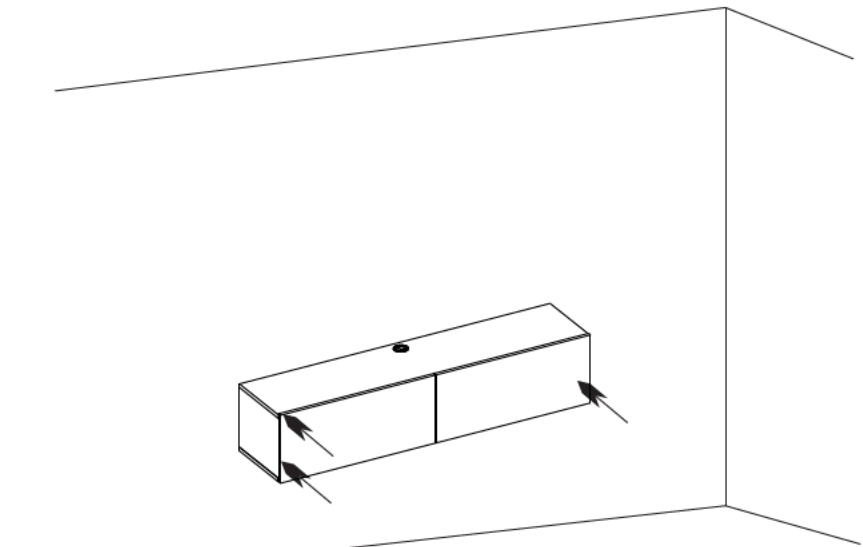
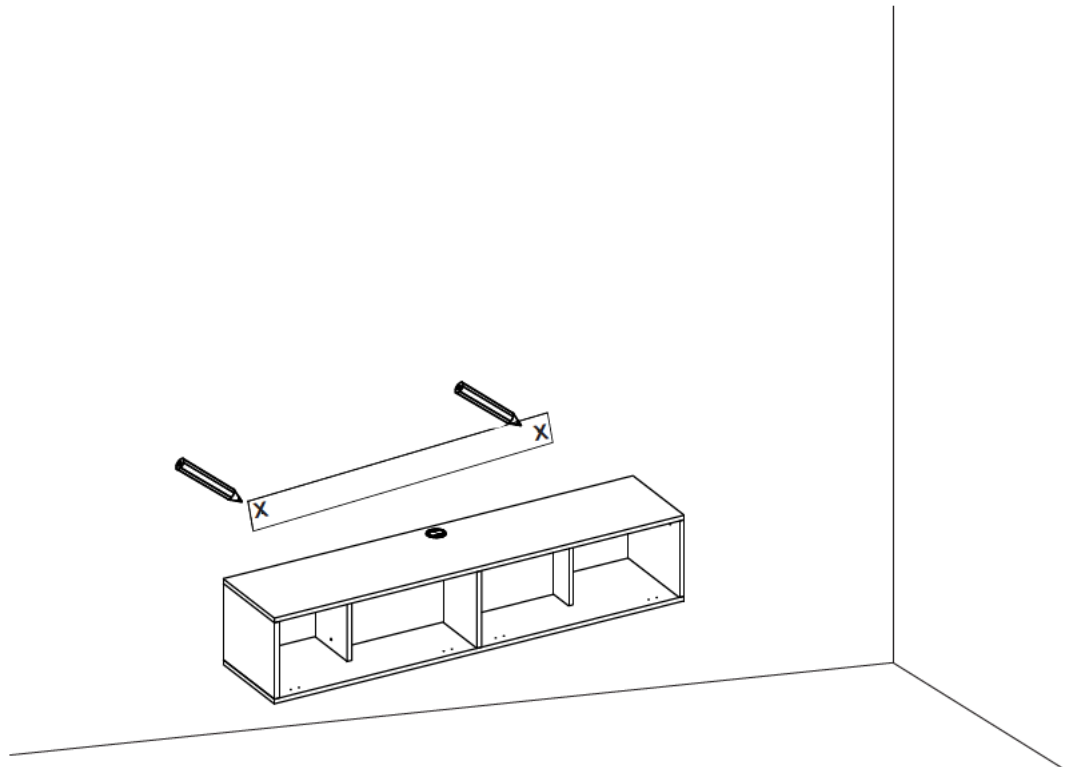
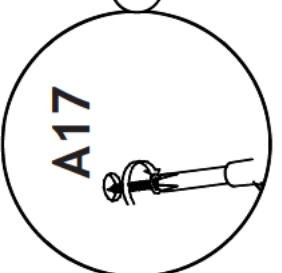
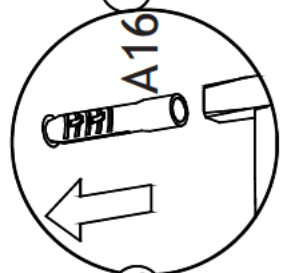
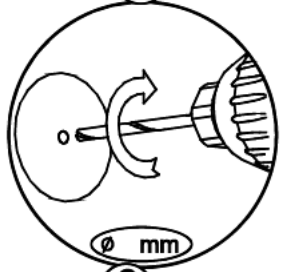
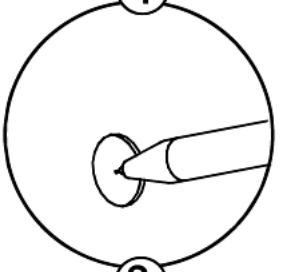
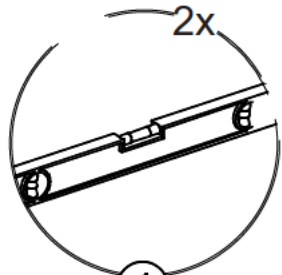


6



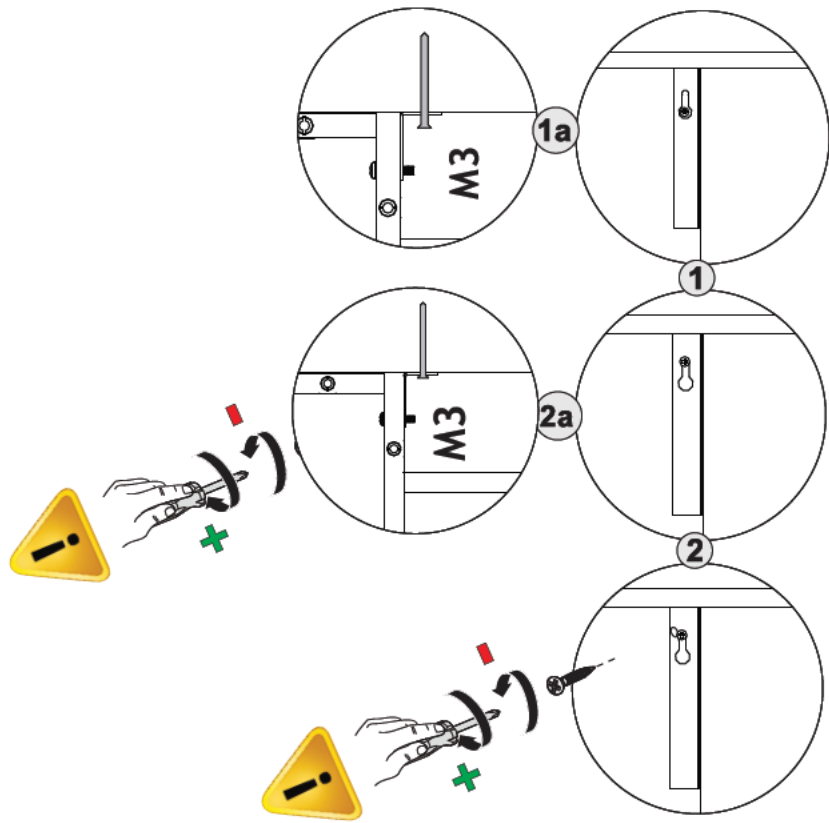
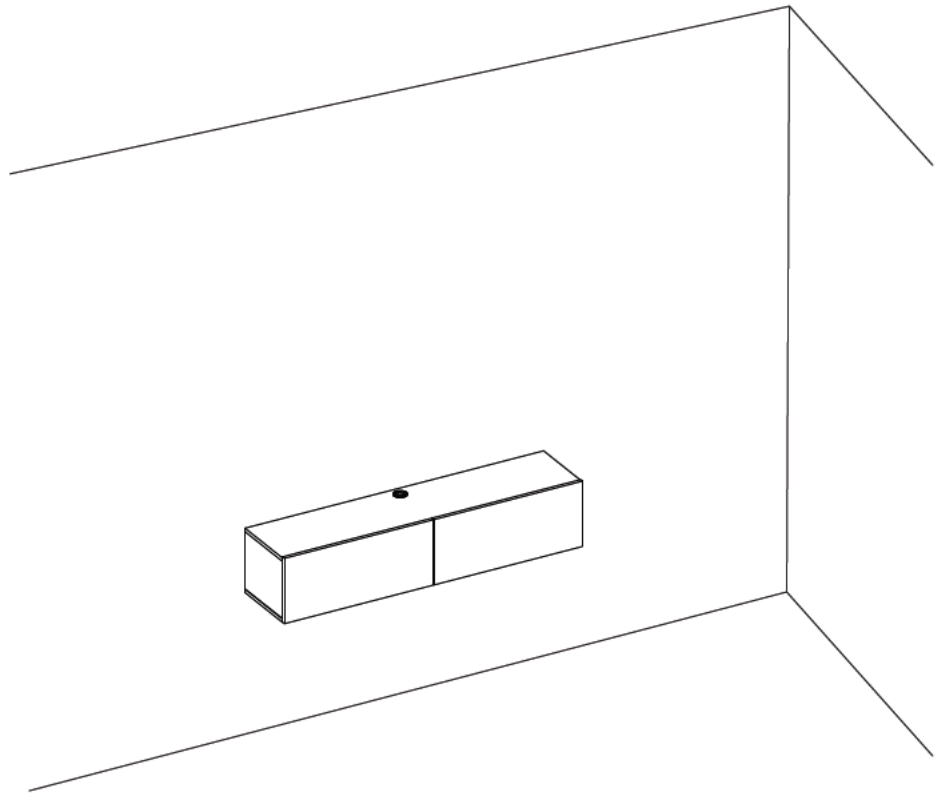


7



9

8



10