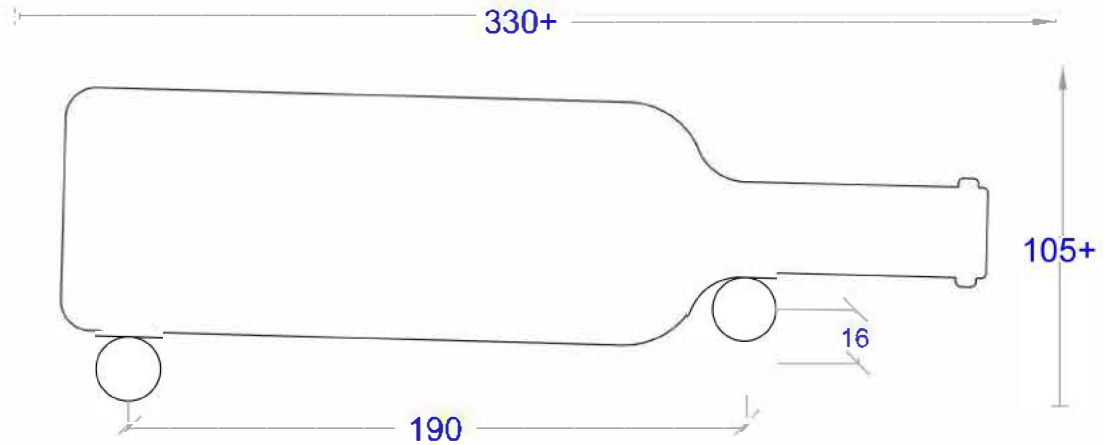


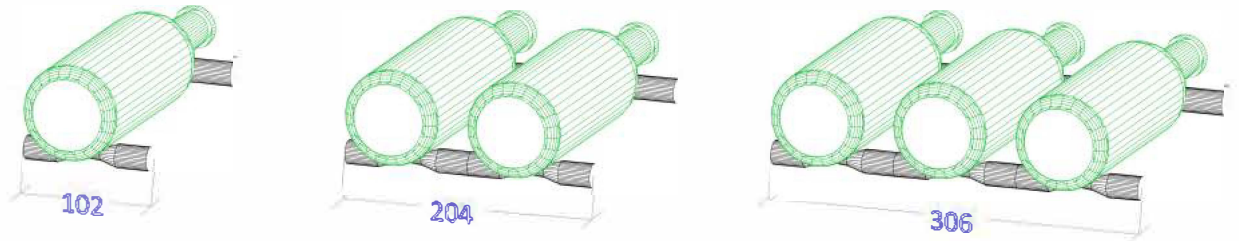
Vino Series - Vino Pins Spec Sheet

Vino Series - 1-3 bottle deep Vino Pins

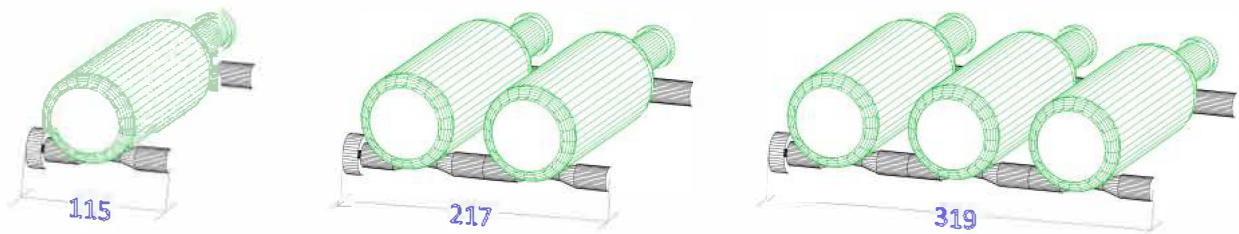
| Depth Collars | Depth | Height | Capacity | Width |
|------------------|-------|------------------|-----------|------------------|
| 102 | 115 | 105mm Minimum | 1 bottle | 330mm minimum |
| 204 | 217 | | 2 bottles | |
| 306 | 319 | | 3 bottles | |



Vino Pins - VP - no collars



Vino Pins - VPC - with collars



Vino Series starter sets include hardware for wood and solid wall surfaces.

For plasterboard, cavity and similar installations we recommend the optional collars (cavity hardware included).

Collars will add 13 mm to the overall depth