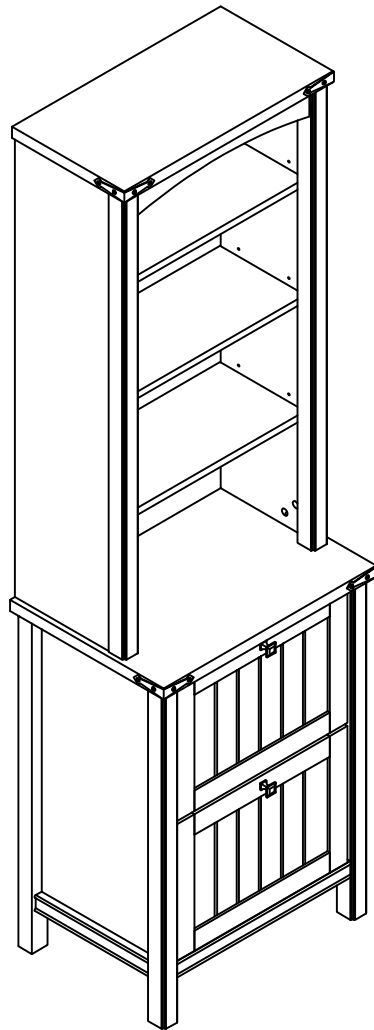


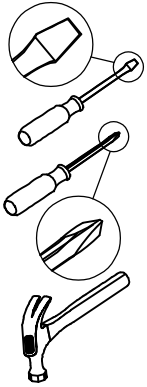
Installation & Assembly



As this item contains many parts, please read the installation instruction carefully before installation . Please use tools properly and carefully. If you have any questions about the product and installation, please contact us.

Our professional after-sales team will serve you online all day.

Before You Start



- ✓ Read through each step carefully and follow the proper order
- ✓ Separate and count all your parts and hardware
- ✓ Give yourself enough room for the assembly process
- ✓ Have the following tools: Flat Head Screwdriver, #2 Phillips Head Screwdriver and Hammer
- ✓ Caution: If using a power drill or power screwdriver for screwing, please be aware of to slow down and stop when screw is tight. Failure to do so may result in stripping the screw. (Assembly speed can be increased by using electric screwdriver)

Helpful Hints

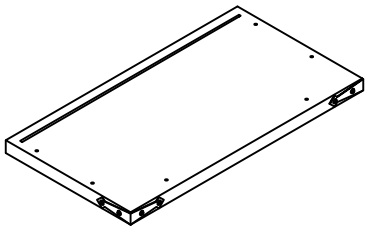
PEOPLE NEEDED FOR ASSEMBLY: 1-2

- Open your item in the area you plan to keep it to avoid excessive heavy lifting.
- Identify, sort and count the parts before attempting assembly.
- Compression dowels are lightly tapped in with a hammer.
- Slides are labeled with an **R** (right) and **L** (left) for proper placement.
- Make sure to always face the point on the top of the Cam Lock towards the outer edge.
- If there is a back panel in the package, please install it to make sure your unit is complete and sturdy.
- Please fix all the screws provided for the back panel which can enhance product stability. If it is difficult to fix it when tightening, it can be fixed with the help of a hammer and then tightened.
- Do NOT use harsh chemicals or abrasive cleaners on this item.
- Never push, pull, or drag your furniture.

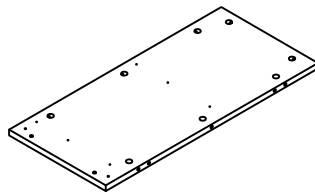


Board Identification

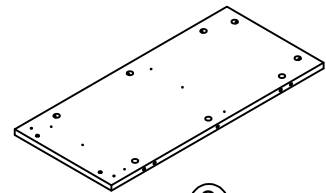
Not actual size



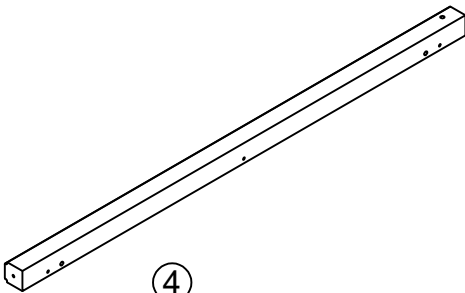
①
TOP
Qty:1



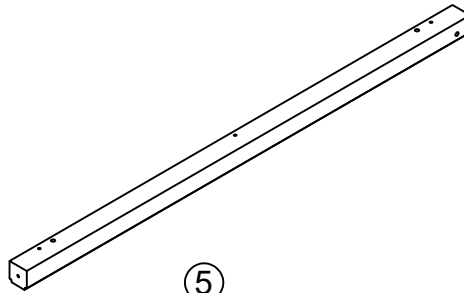
②
LOWER LEFT SIDE PANEL
Qty:1



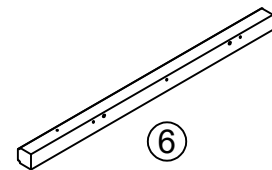
③
LOWER RIGHT SIDE PANEL
Qty:1



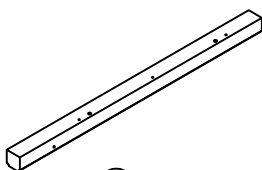
④
LEFT PILLAR
Qty:1



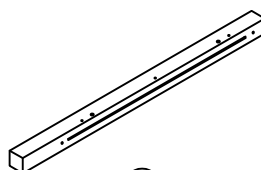
⑤
RIGHT PILLAR
Qty:1



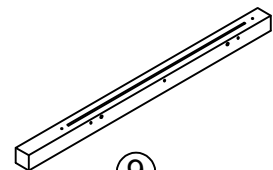
⑥
LEG
Qty:1



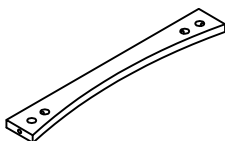
⑦
LEG
Qty:1



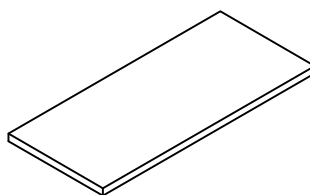
⑧
LEG
Qty:1



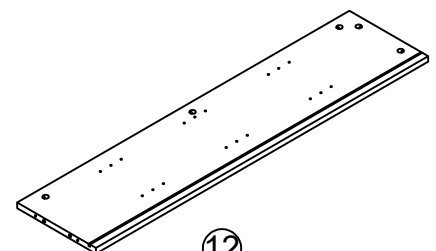
⑨
LEG
Qty:1



⑩
UPPER RAIL
Qty:1



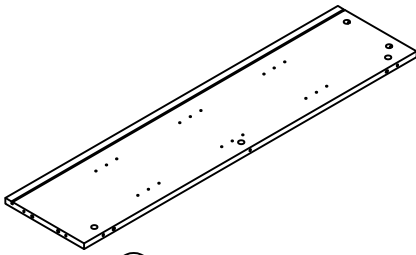
⑪
SHELF PANEL
Qty:3



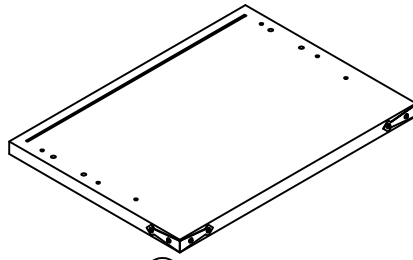
⑫
UPPER LEFT SIDE PANEL
Qty:1

Board Identification

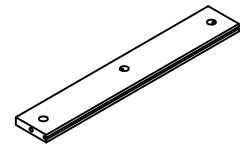
Not actual size



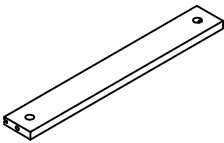
⑬
UPPER RIGHT SIDE PANEL
Qty:1



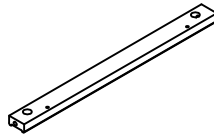
⑭
CABINET TOP
Qty:1



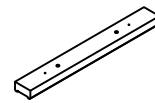
⑮
BACK SLAT
Qty:1



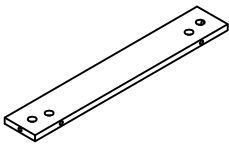
⑯
BOTTOM LINKING RAIL
Qty:1



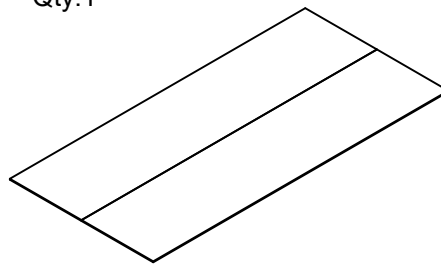
⑰
FILLER LATH FOR RUNNER
Qty:1



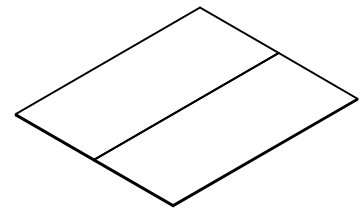
⑱
FILLER LATH FOR RUNNER
Qty:2



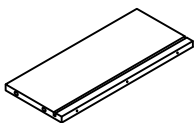
⑲
BOTTOM FRONT RAIL
Qty:2



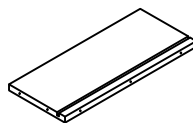
⑳
BACK PANEL
Qty:1



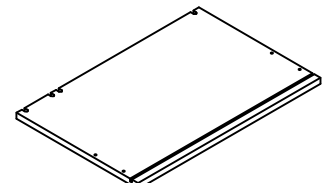
㉑
BACK PANEL
Qty:1



㉒
DRAWER LEFT SIDE PANEL
Qty:2



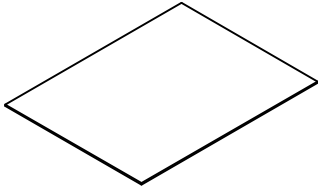
㉓
DRAWER RIGHT SIDE PANEL
Qty:2



㉔
DRAWER BACK PANEL
Qty:2

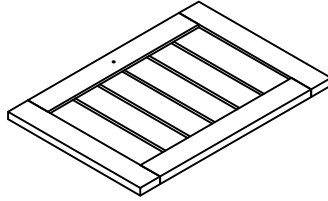
Board Identification

Not actual size



25

DRAWER BOTTOM PANEL
Qty:2

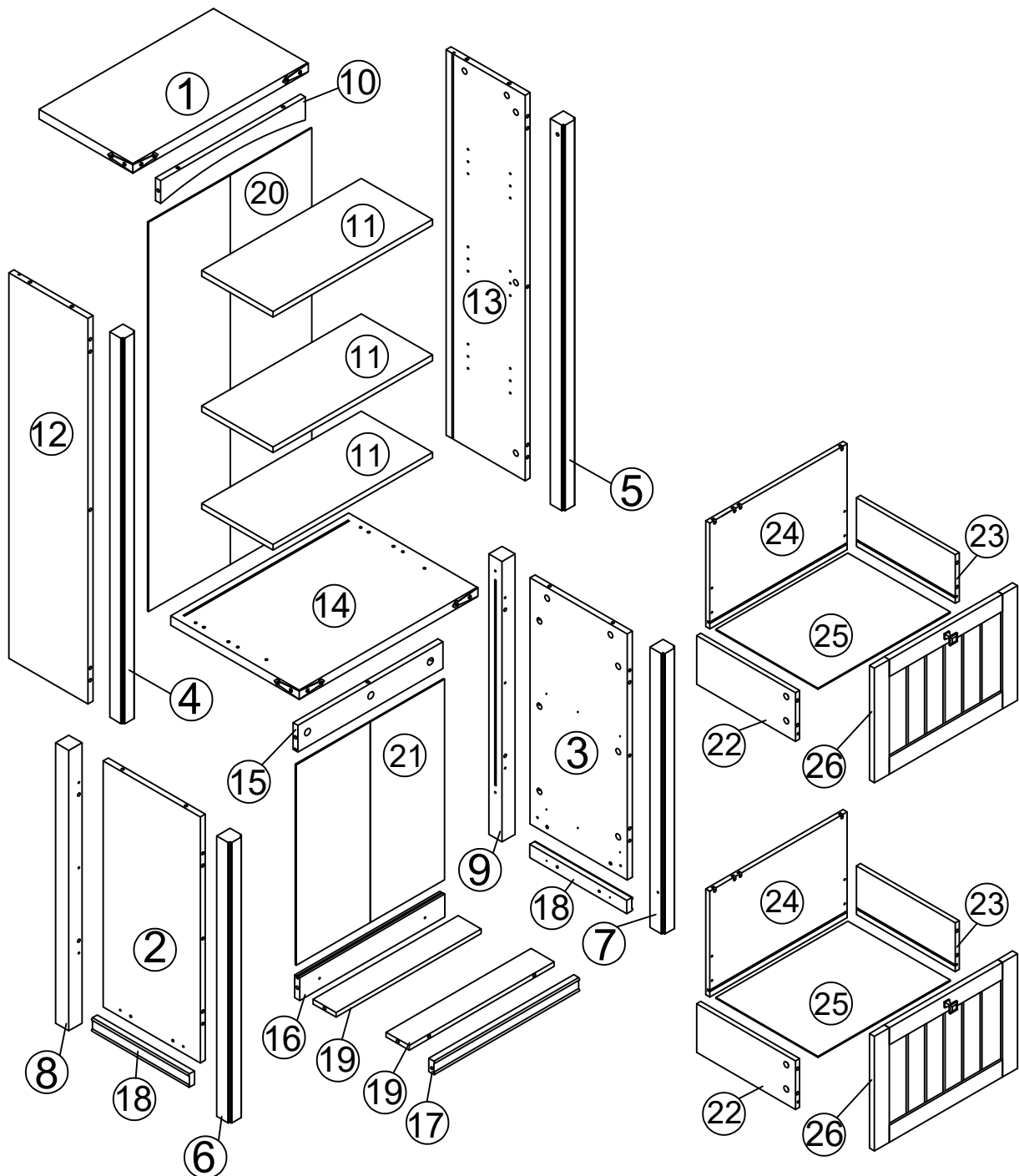


26

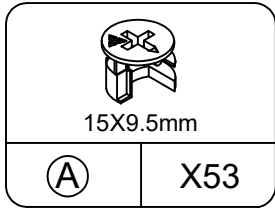
DRAWER FRONT PANEL
Qty:2

Board Identification

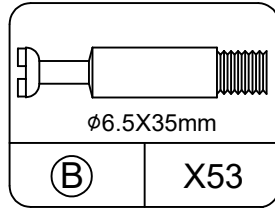
Not actual size



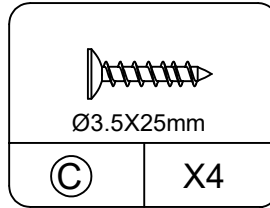
Part List



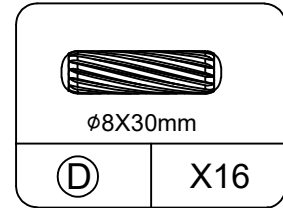
CAM LOCK
spare:3



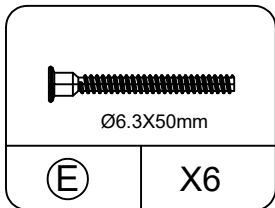
CAM BOLT
spare:3



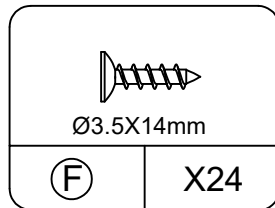
SCREW
spare:1



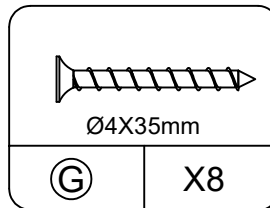
WOOD DOWEL
spare:2



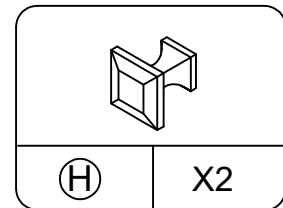
SCREW
spare:1



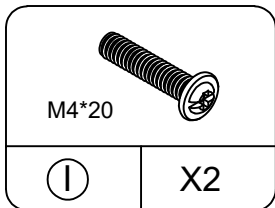
SCREW
spare:2



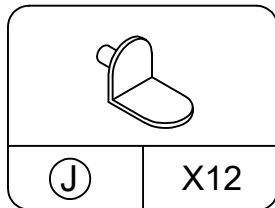
SCREW
spare:1



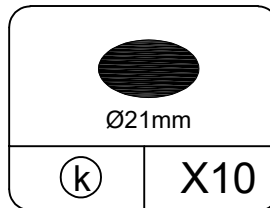
HANDLE



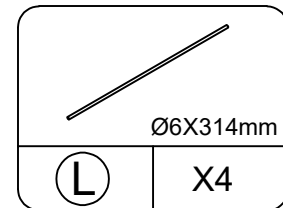
SCREW
spare:1



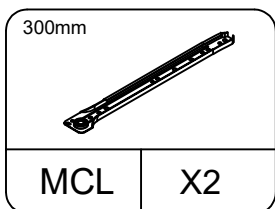
SHELF SUPPORT



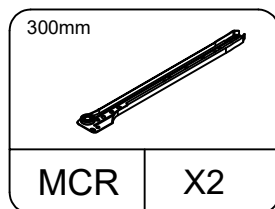
PERFECT STICKERS
spare:2



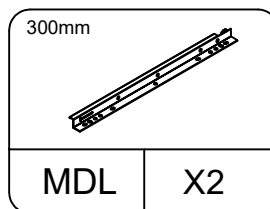
RIGHT DRAWER RUNNER



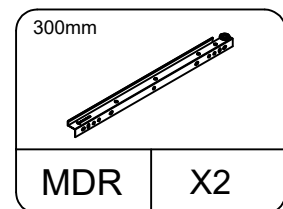
LEFT CABINET MEMBER



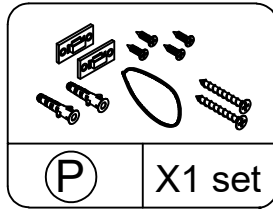
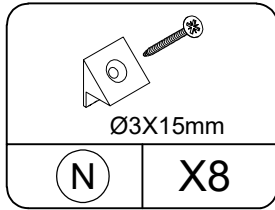
RIGHT CABINET MEMBER



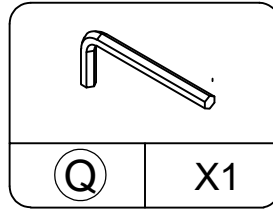
LEFT DRAWER RUNNER



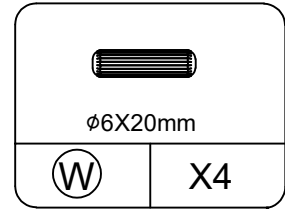
Part List



TIPPING RESTRAINT
HARDWARE KIT



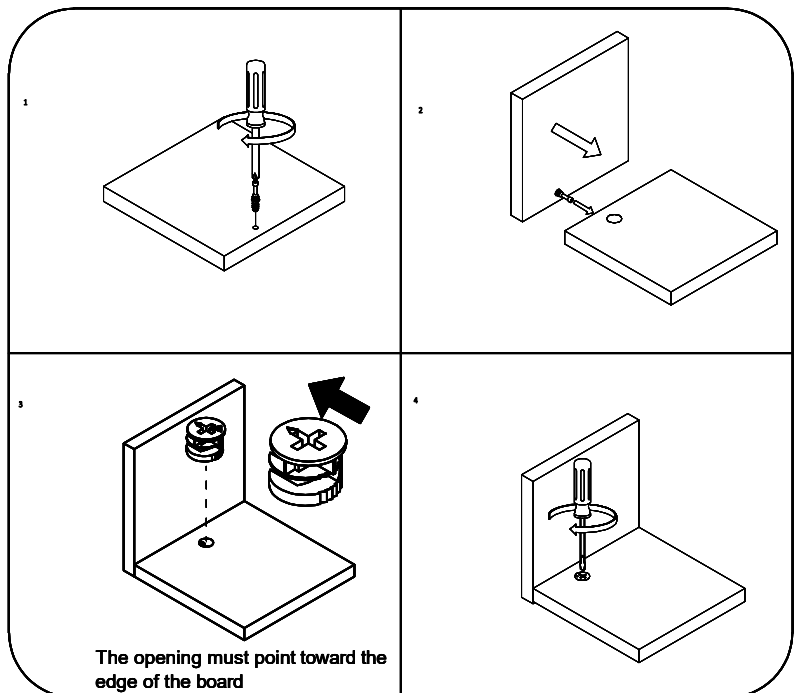
HEX KEY



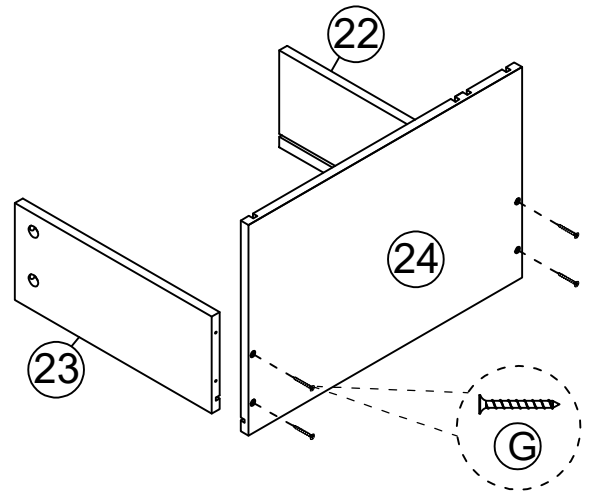
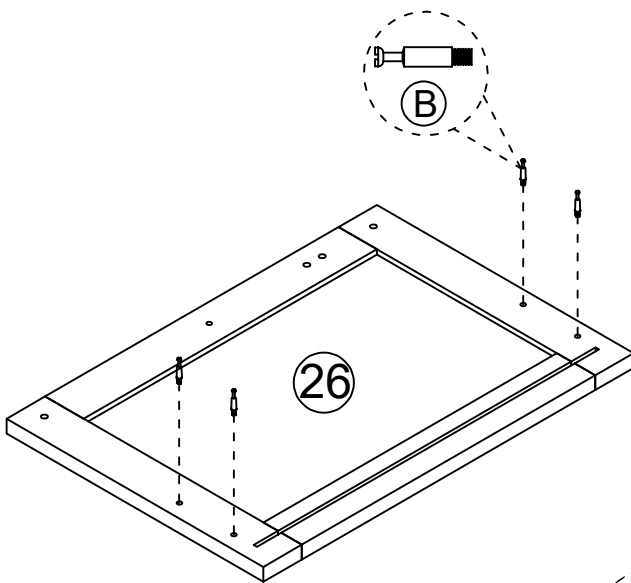
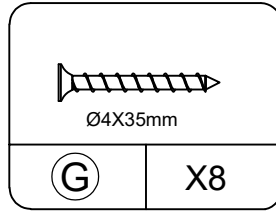
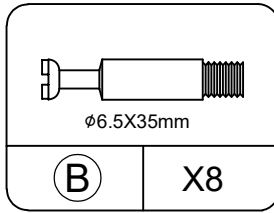
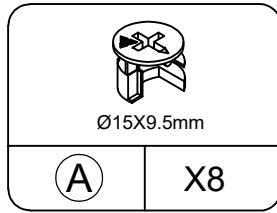
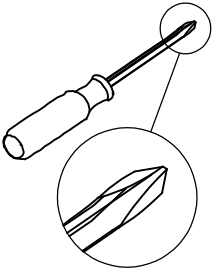
WOOD DOWEL
spare:1

Insert the cam bolt into the hole first, then insert the cam lock and lock it.

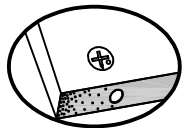
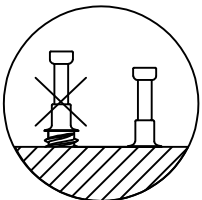
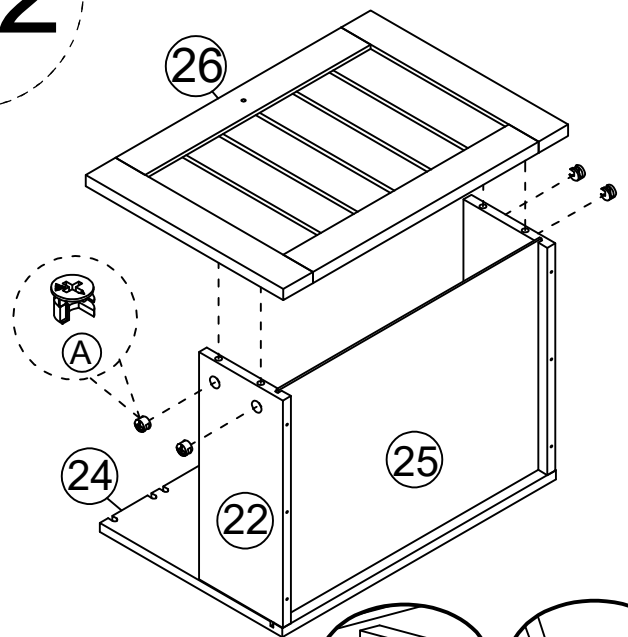
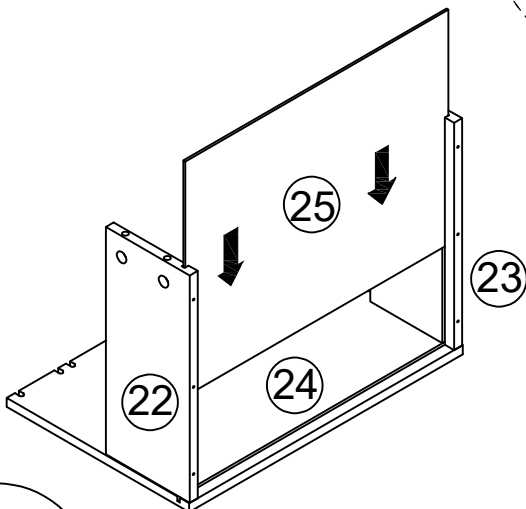
Cam Lock Fastening System



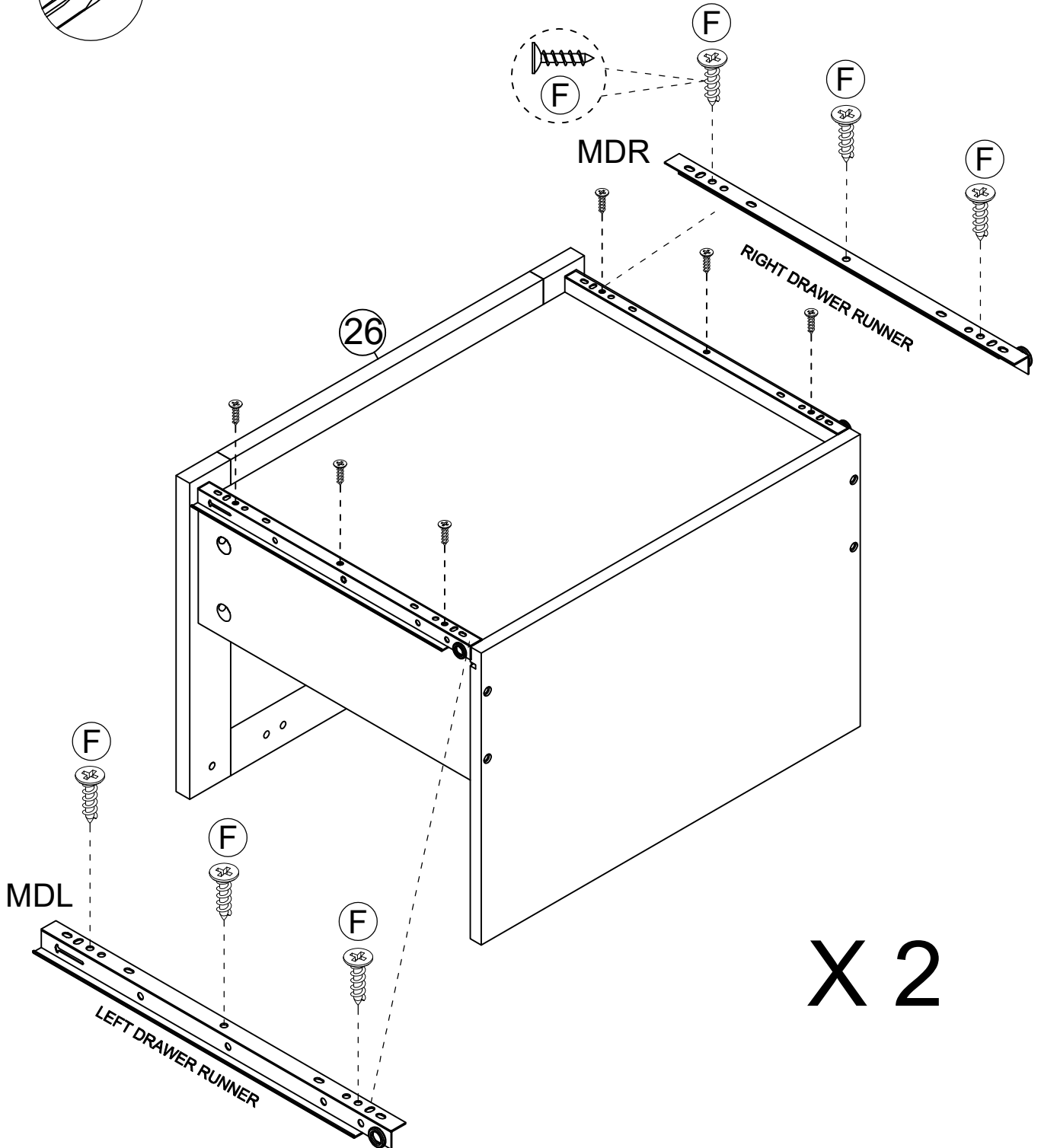
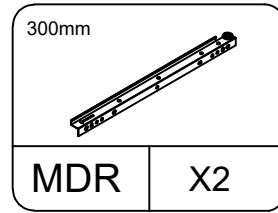
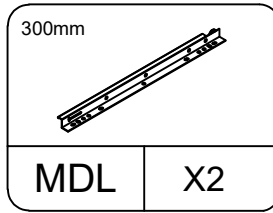
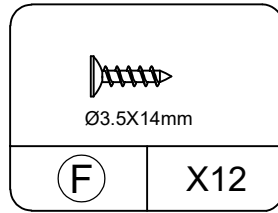
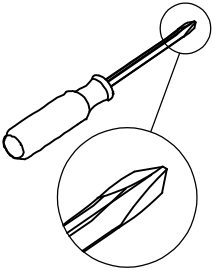
STEP 1



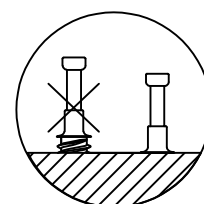
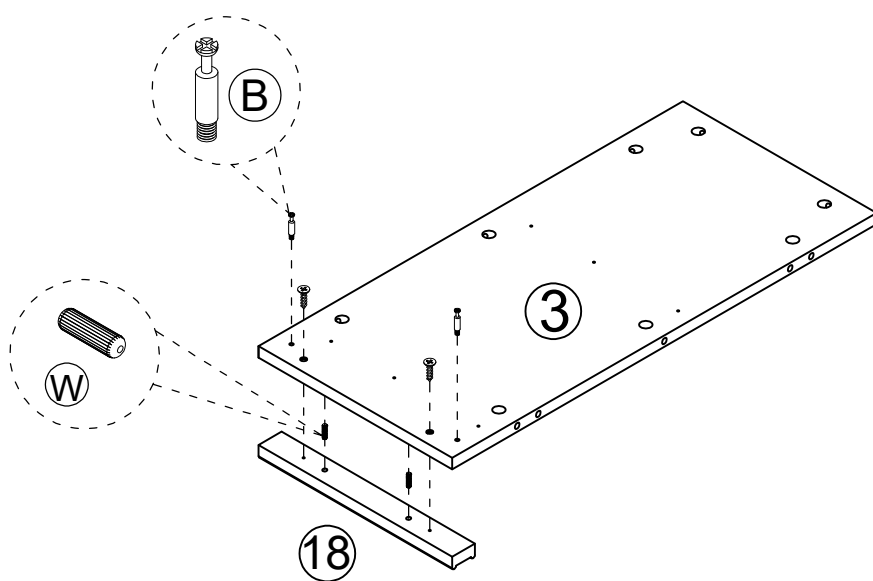
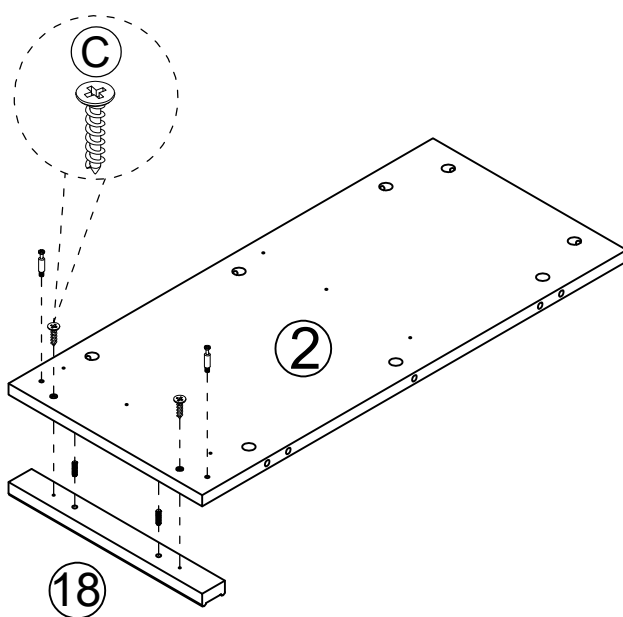
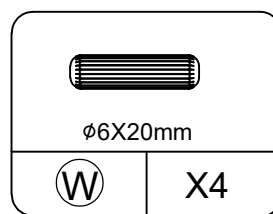
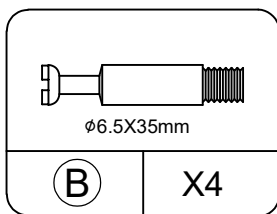
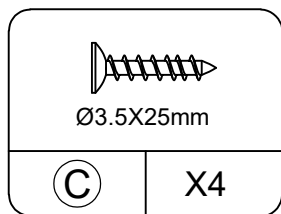
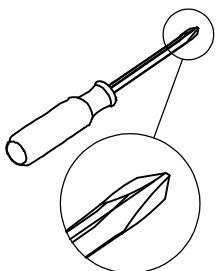
X 2



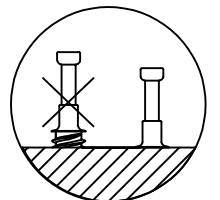
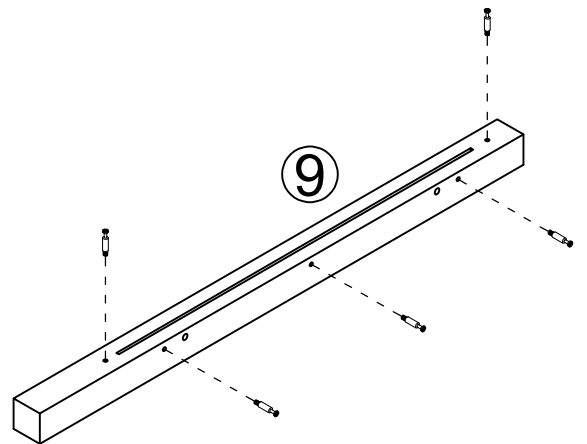
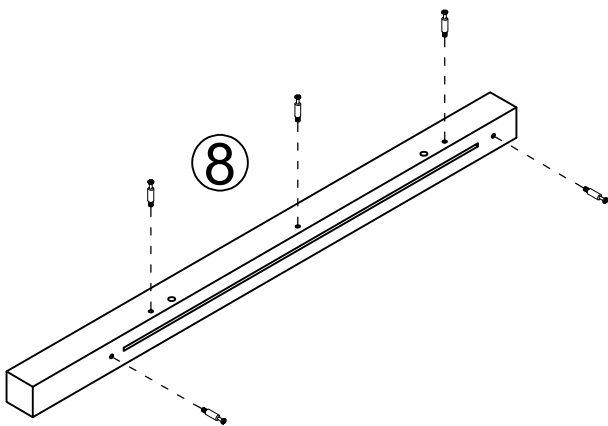
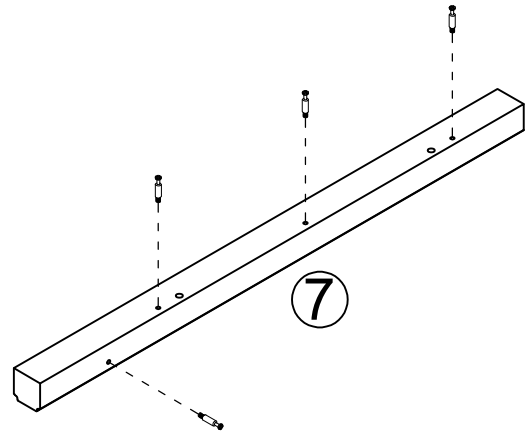
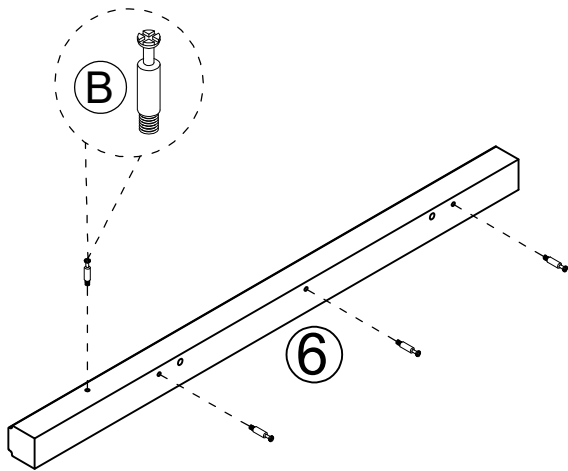
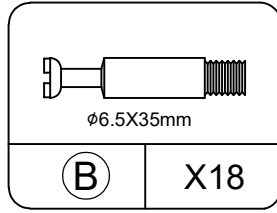
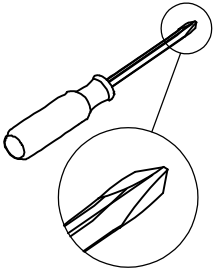
STEP 2



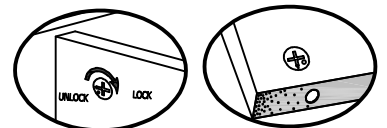
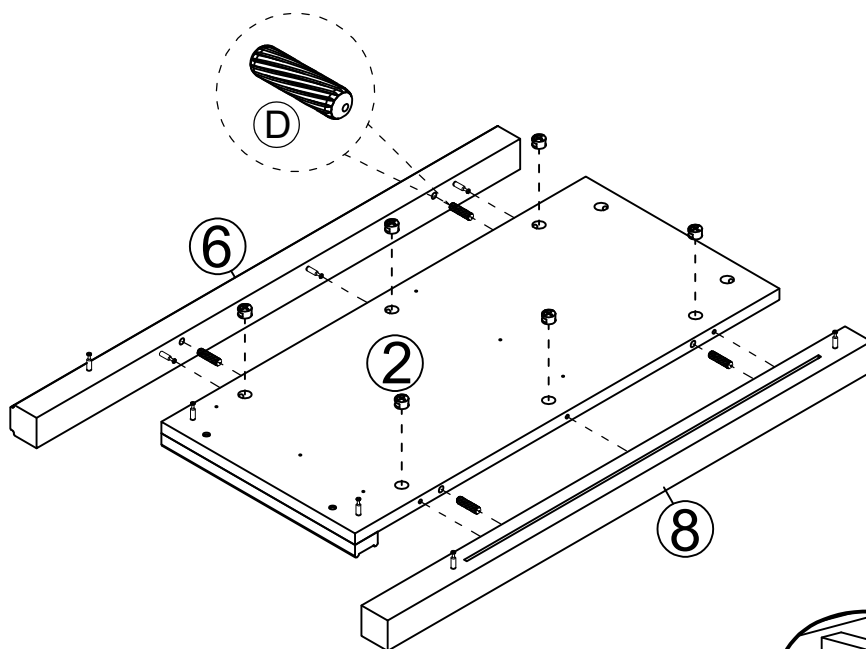
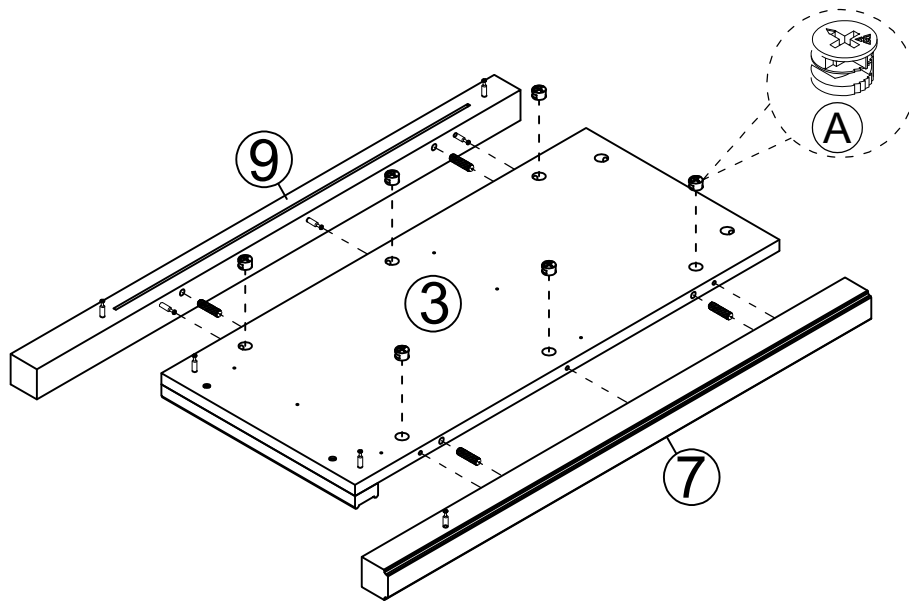
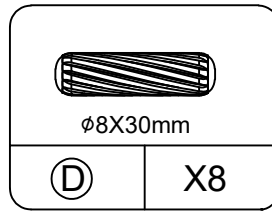
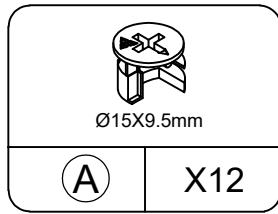
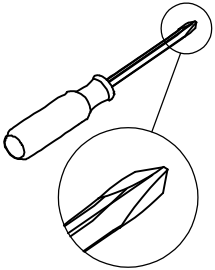
STEP 3



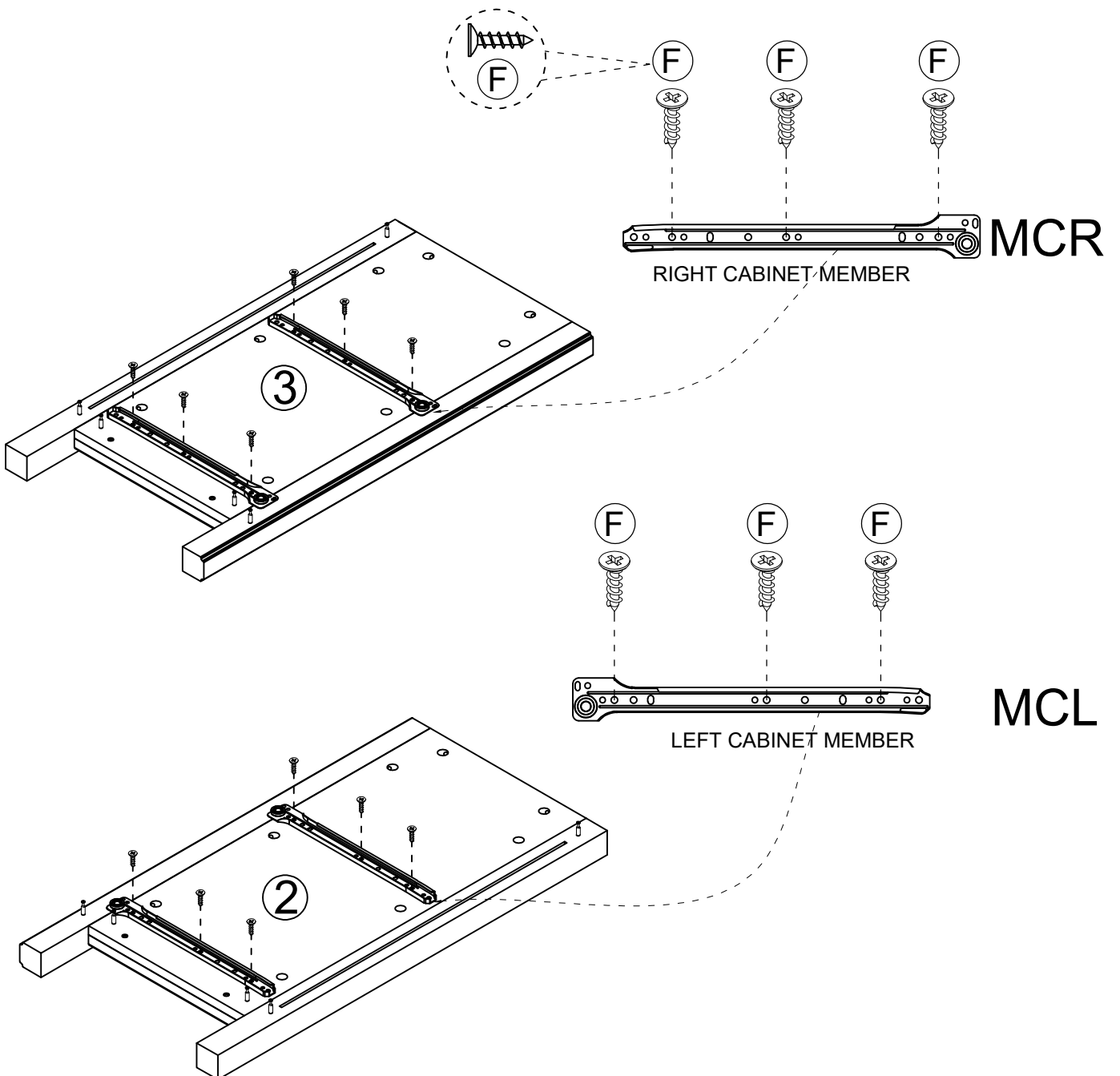
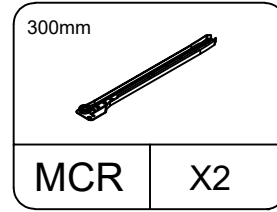
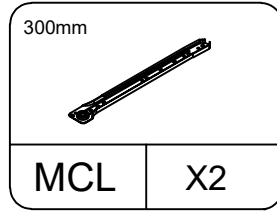
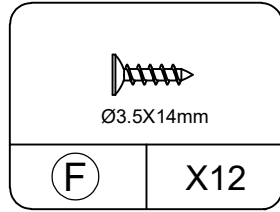
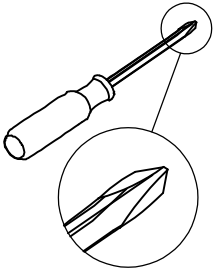
STEP 4



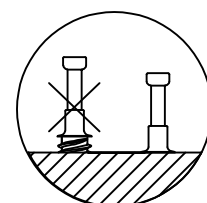
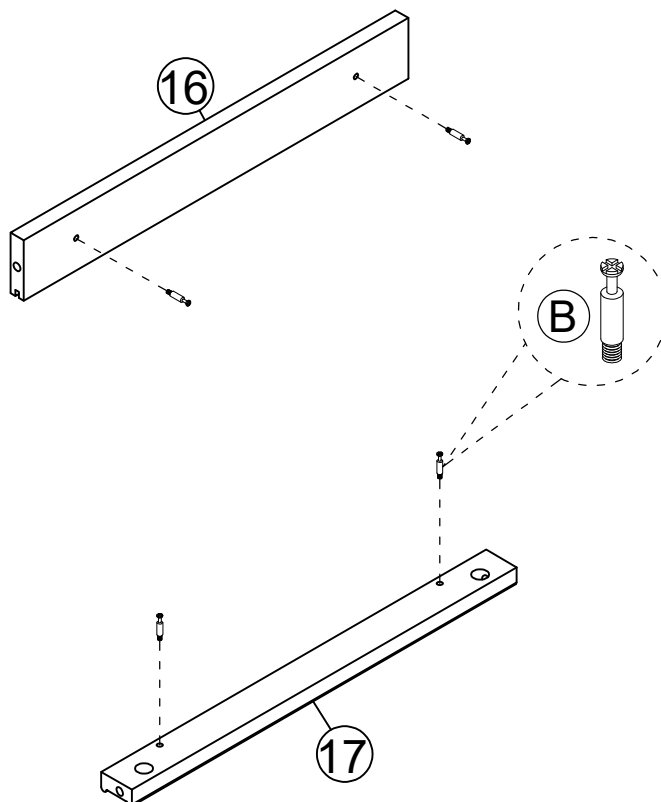
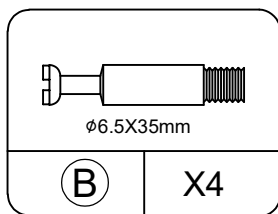
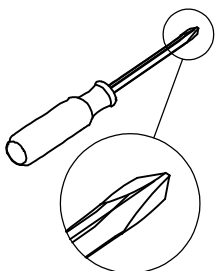
STEP 5



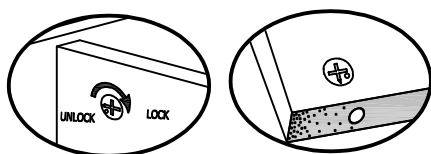
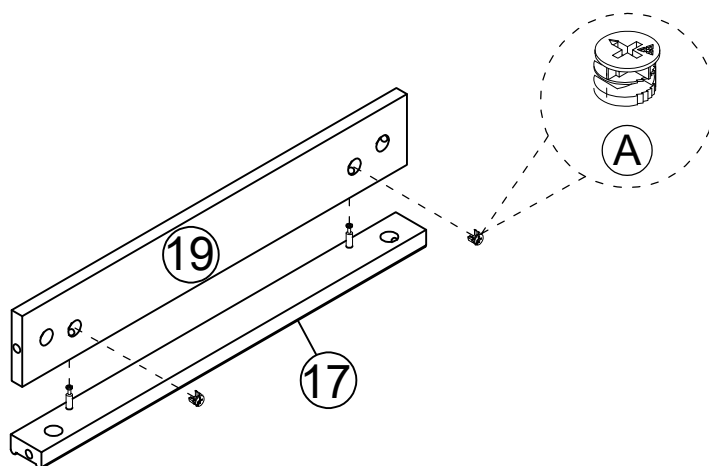
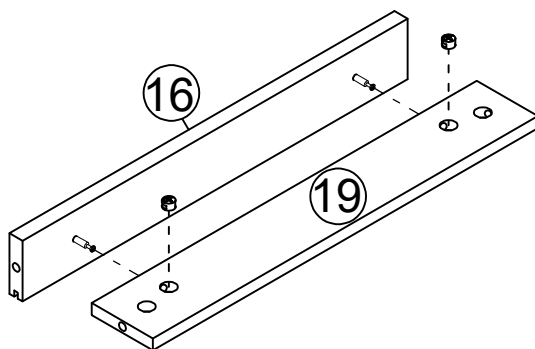
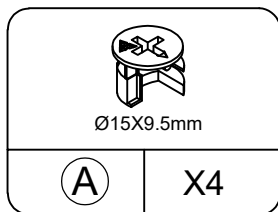
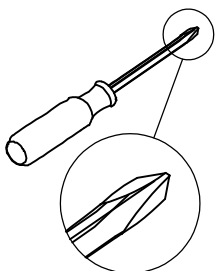
STEP 6



STEP 7

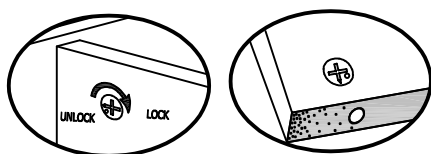
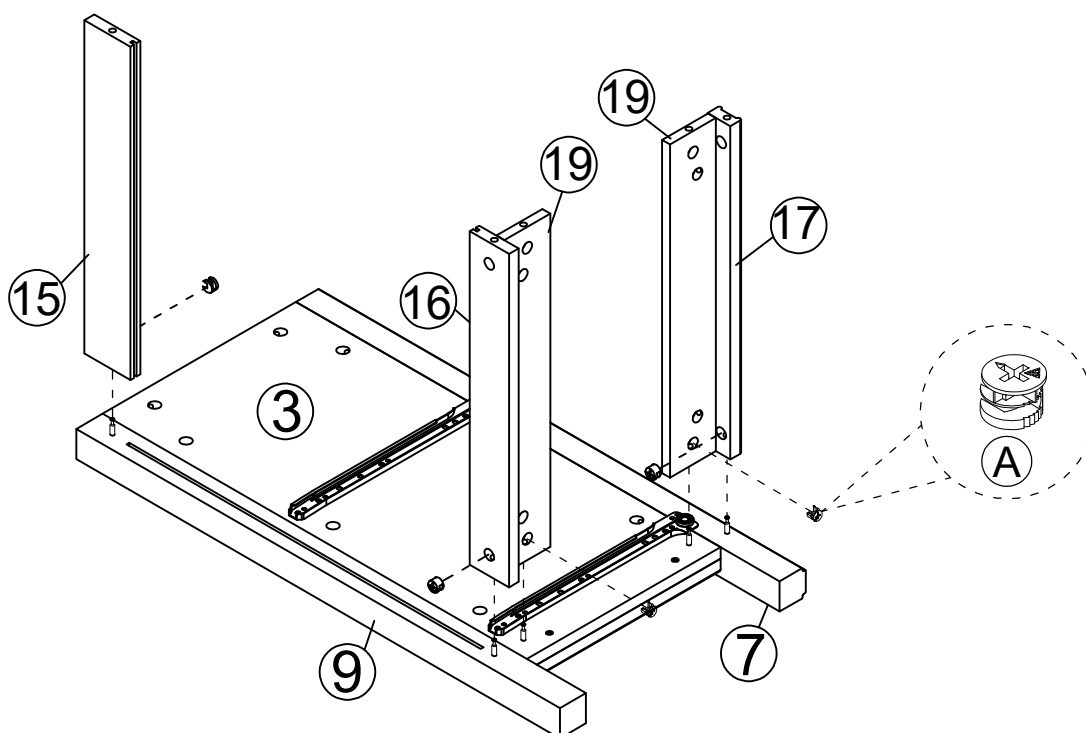
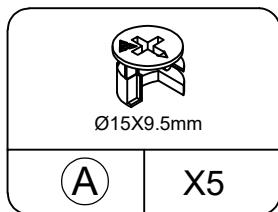
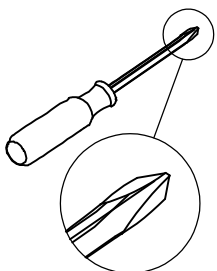


STEP 8



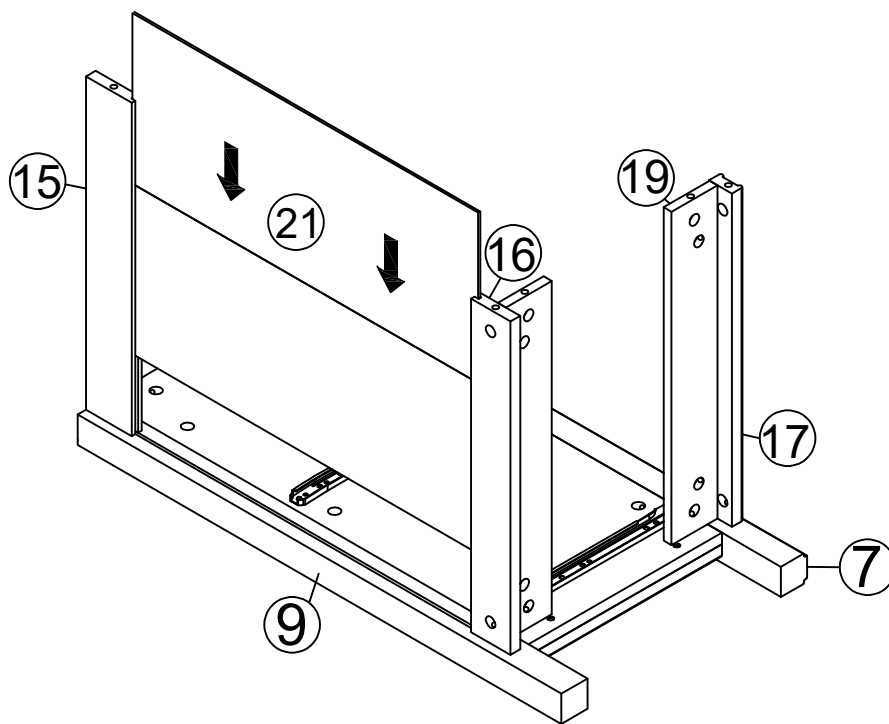
Proper orientation of CAM LOCK

STEP 9

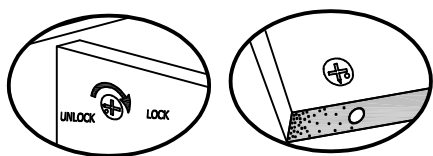
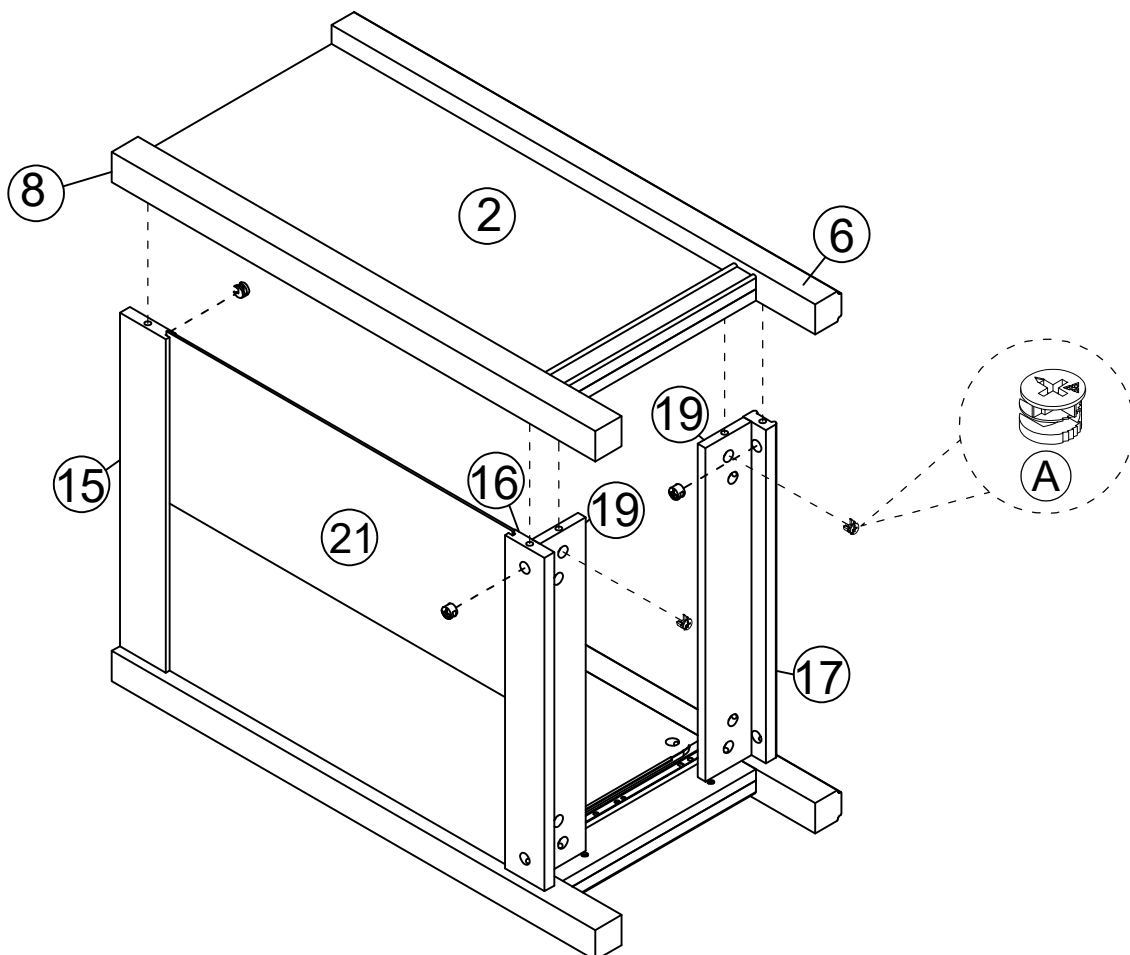
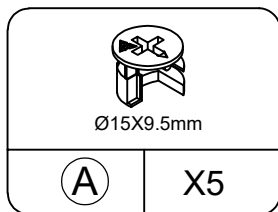
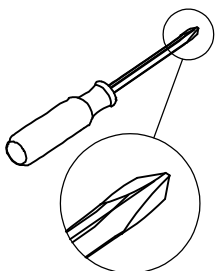


Proper orientation of CAM LOCK

STEP 10

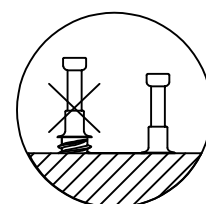
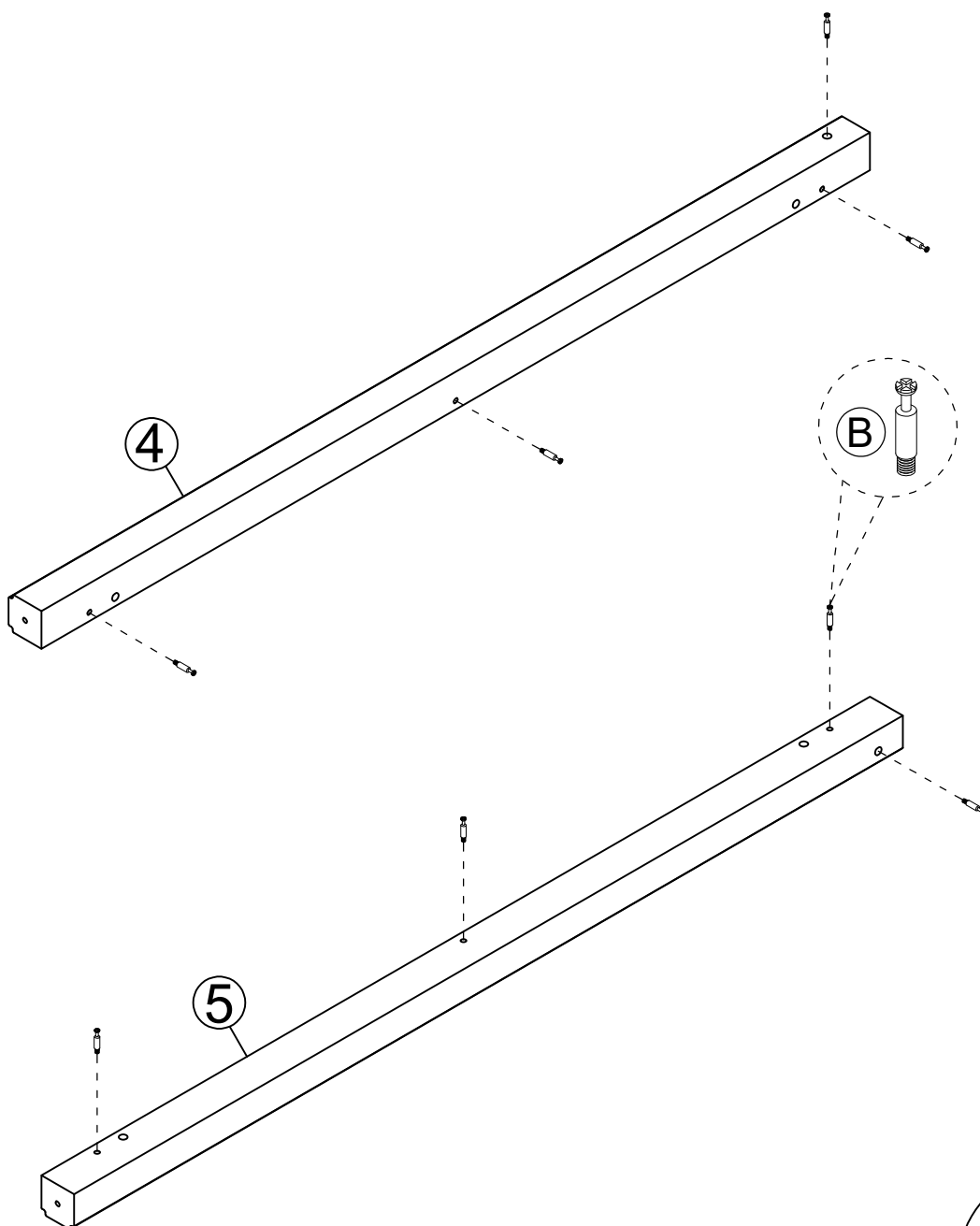
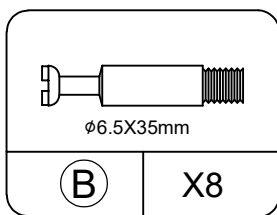
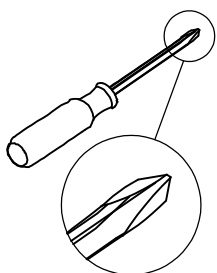


STEP 11

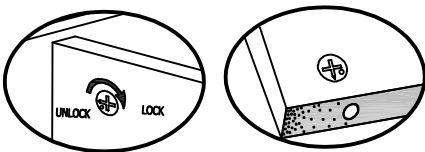
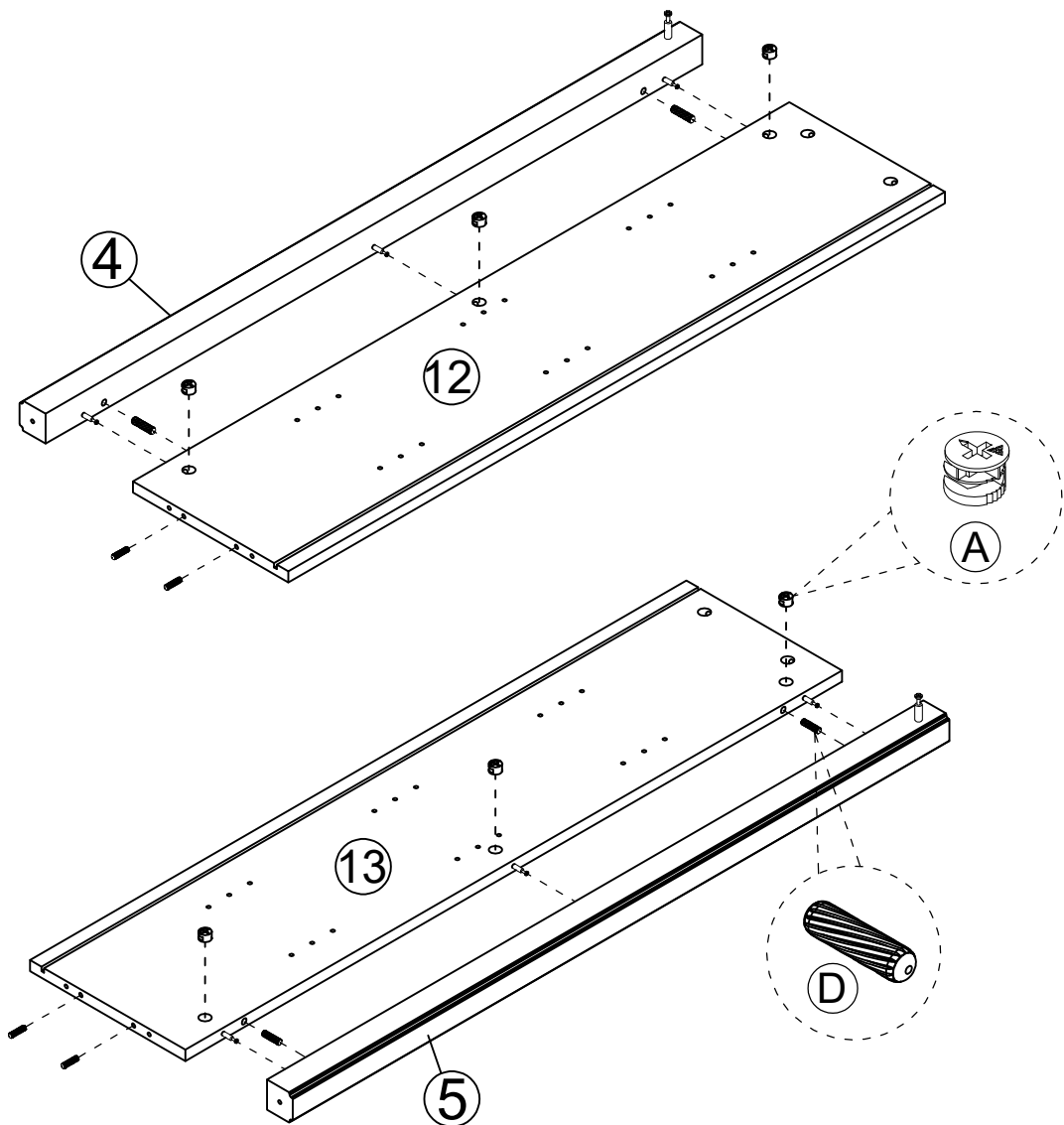
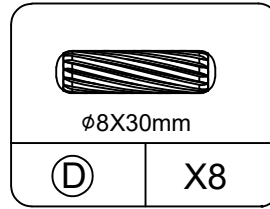
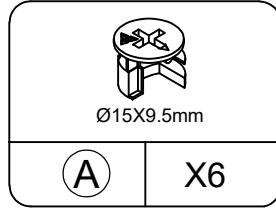
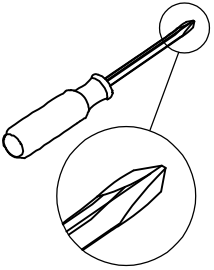


Proper orientation of CAM LOCK

STEP 12

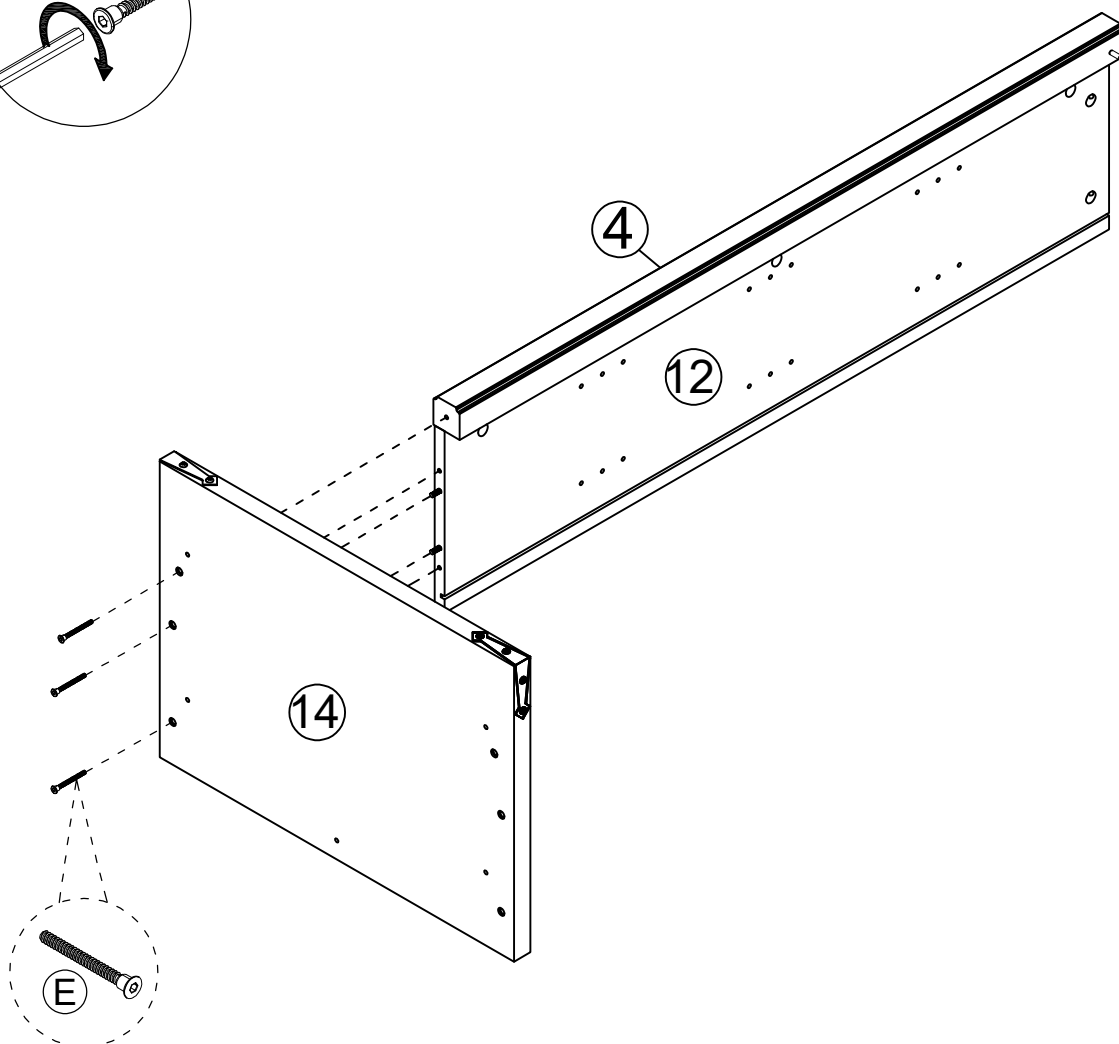
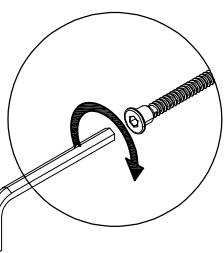
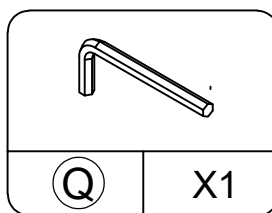
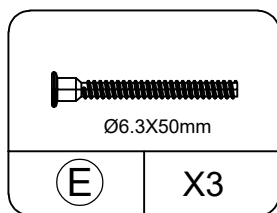
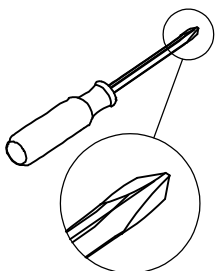


STEP 13

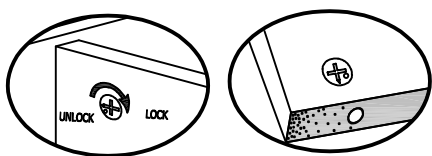
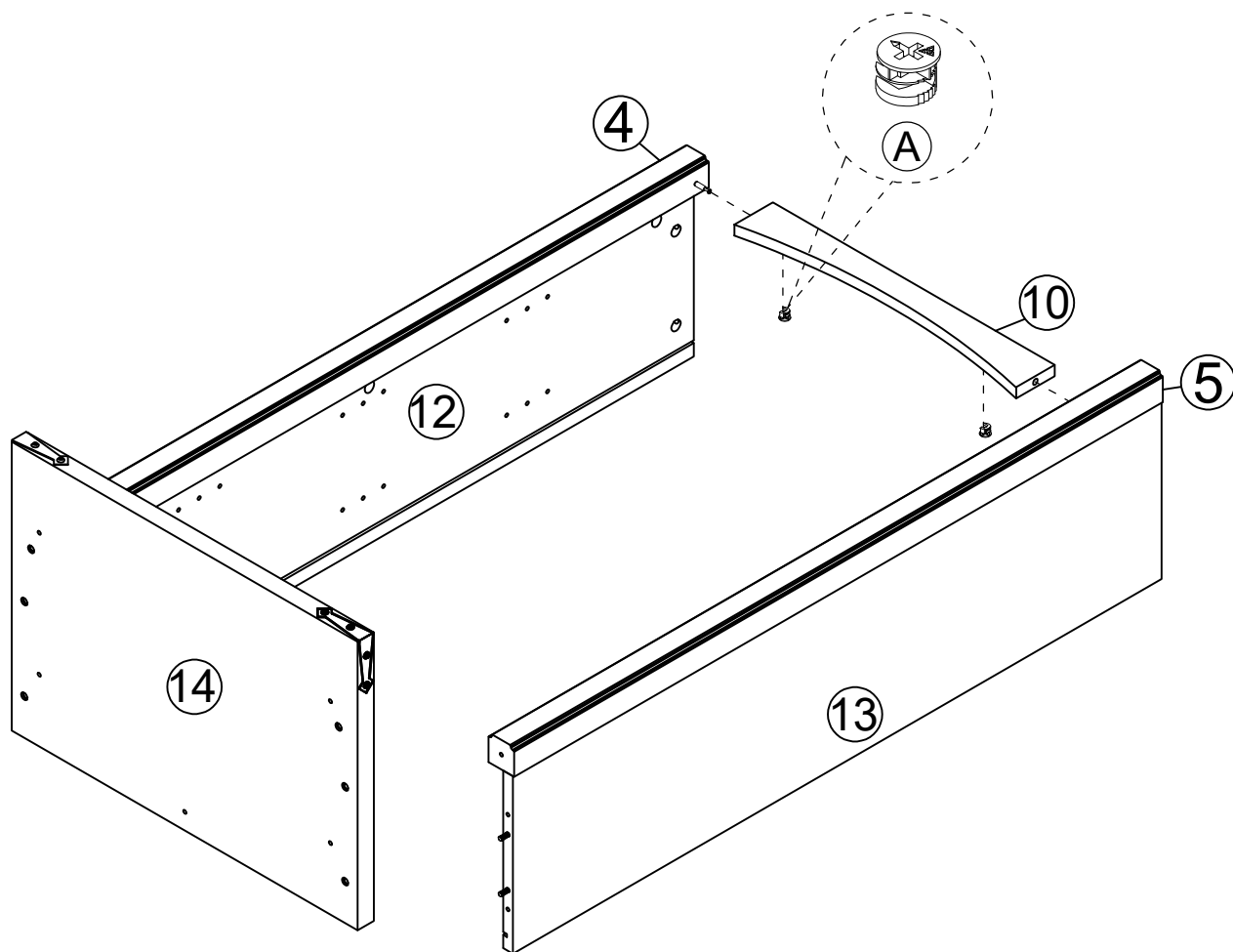
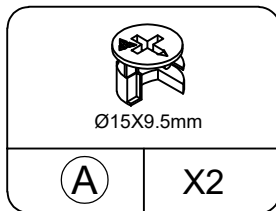


Proper orientation of CAM LOCK

STEP 14

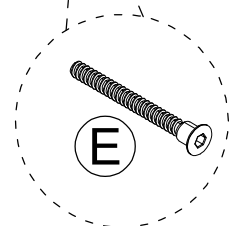
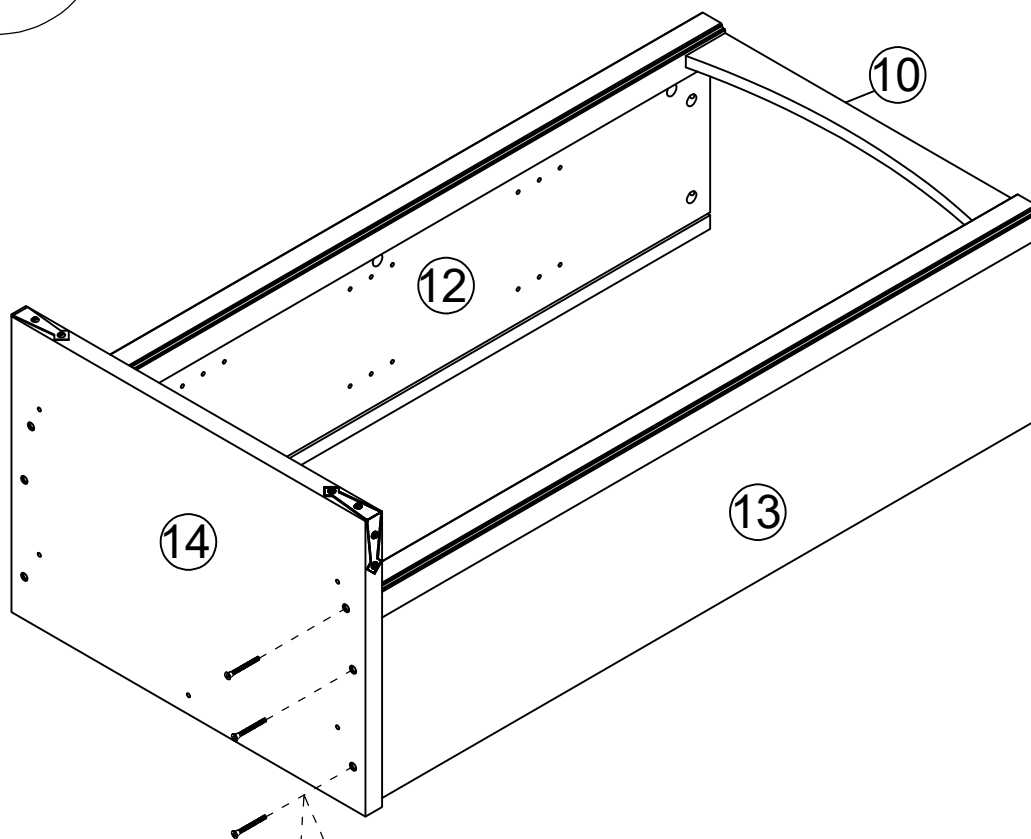
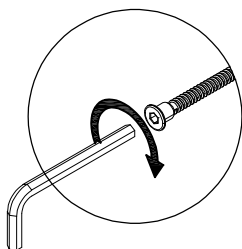
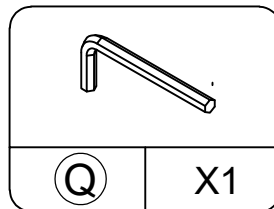
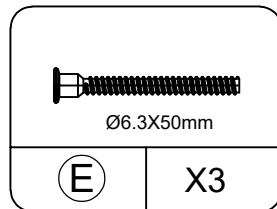


STEP 15

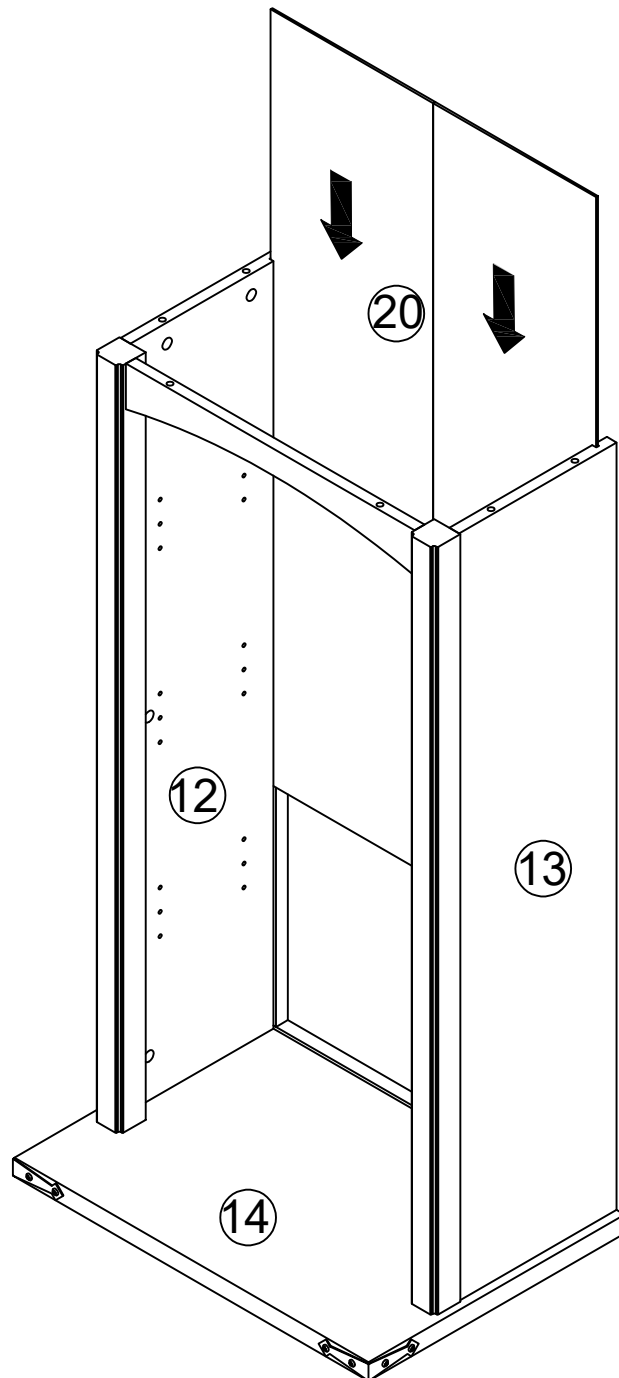


Proper orientation of CAM LOCK

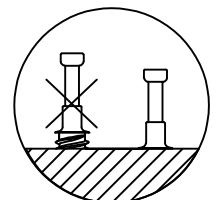
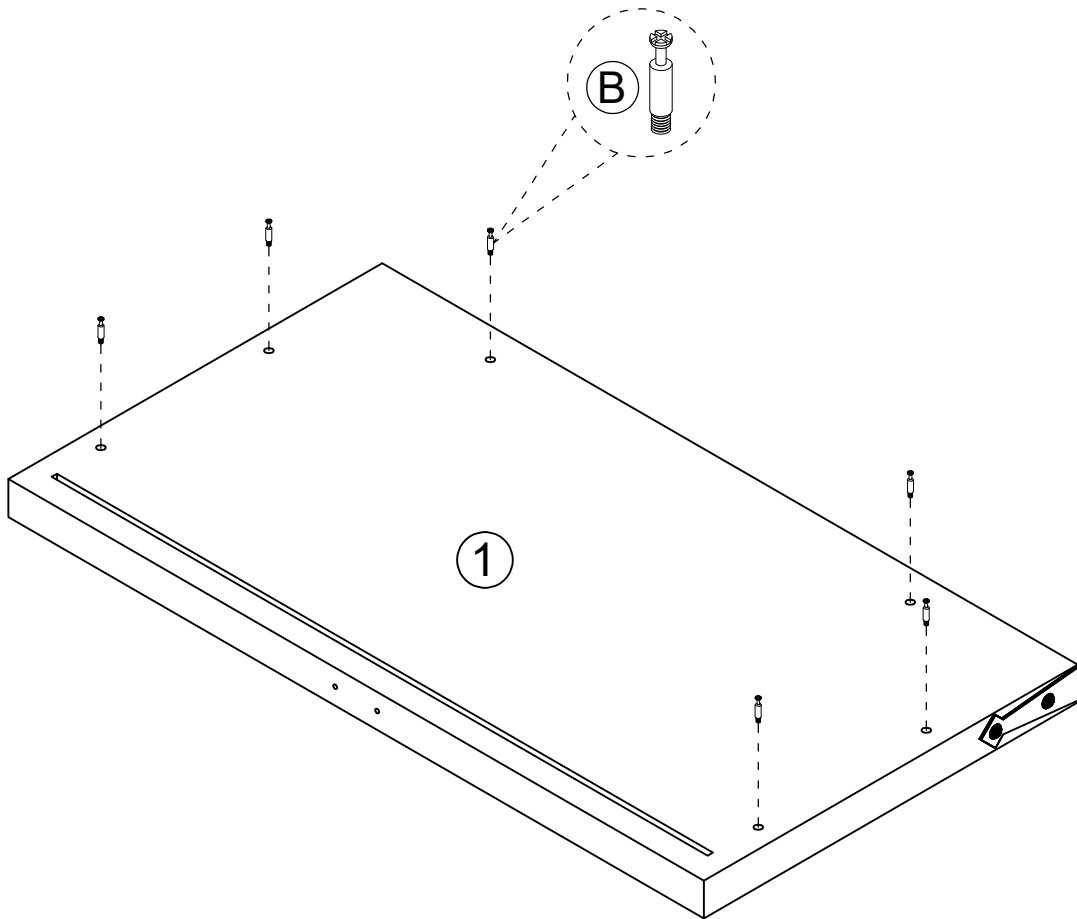
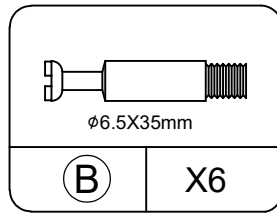
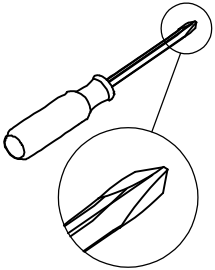
STEP 16



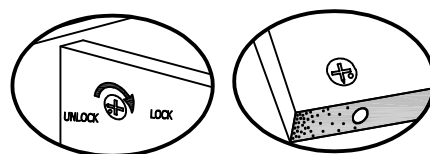
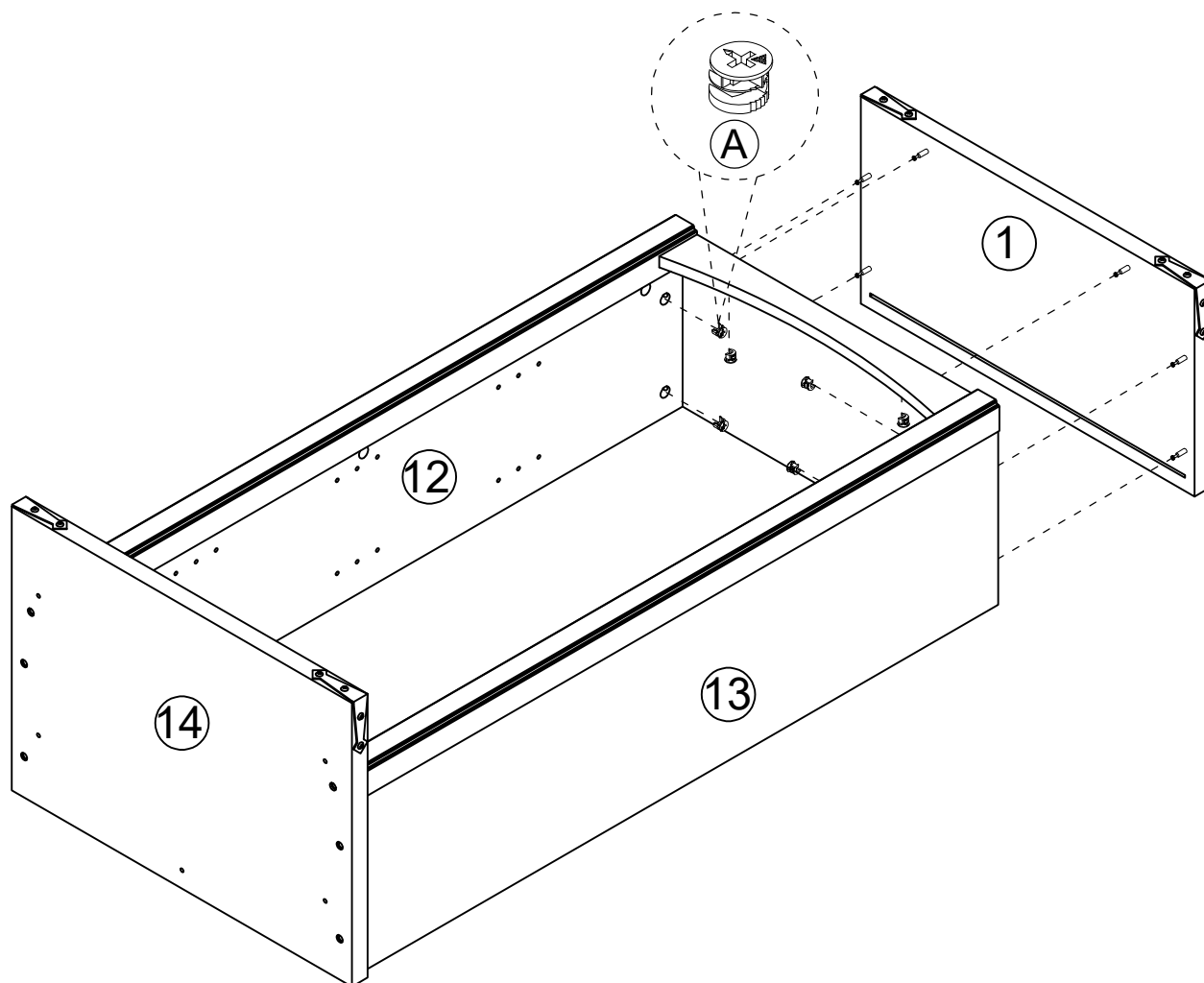
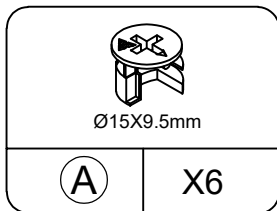
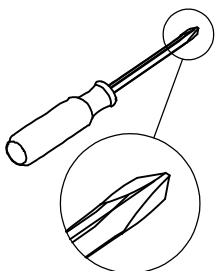
STEP 17



STEP 18

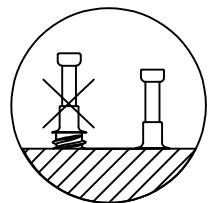
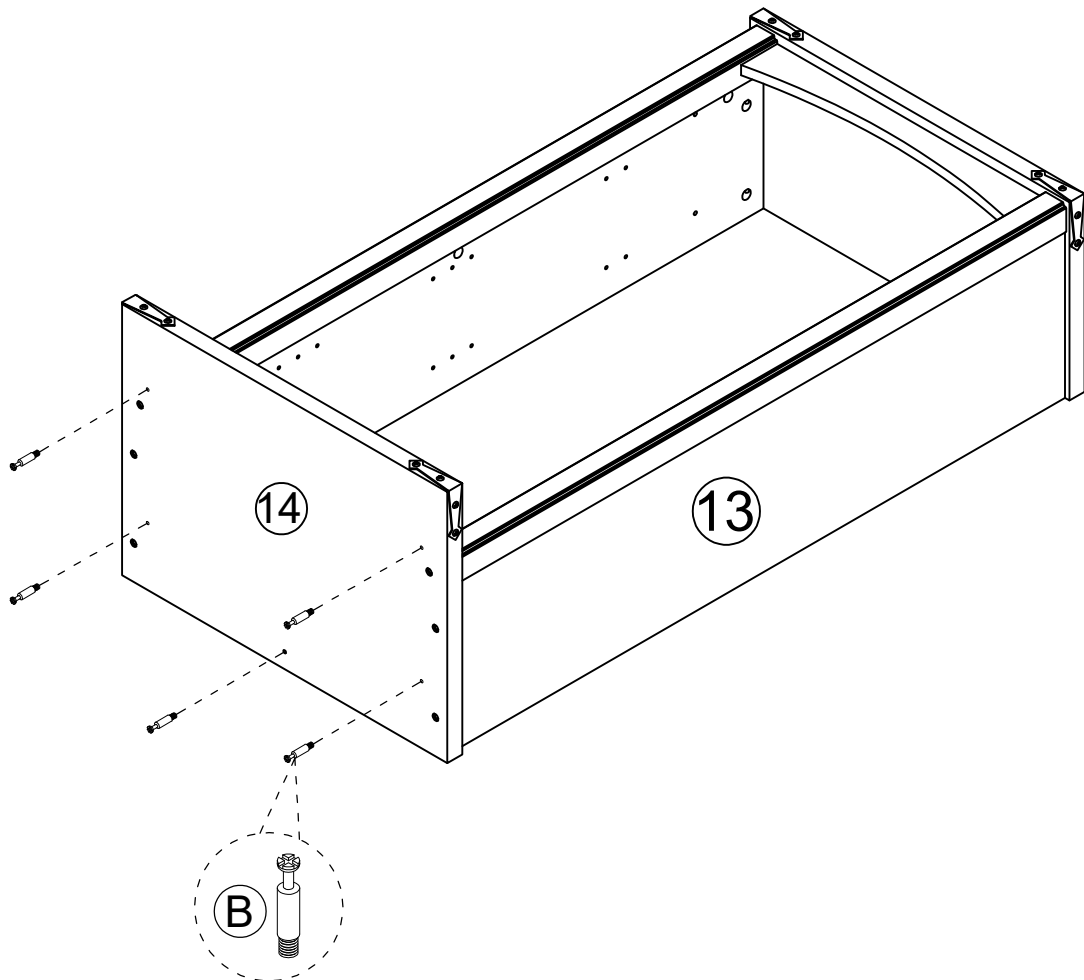
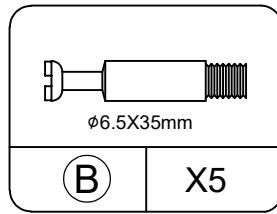


STEP 19

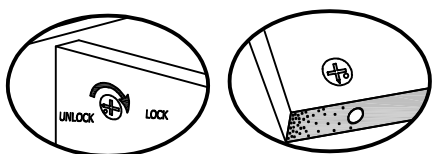
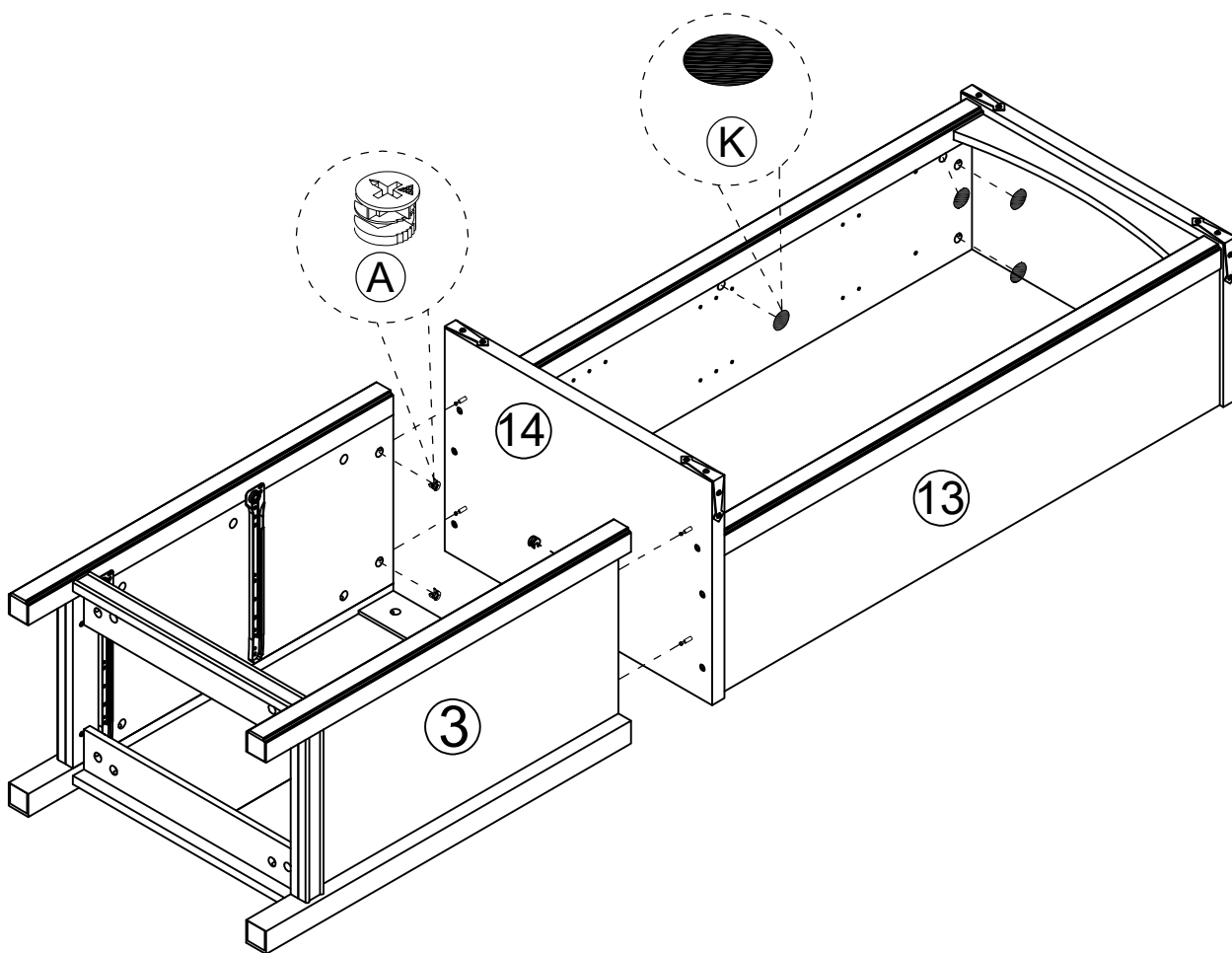
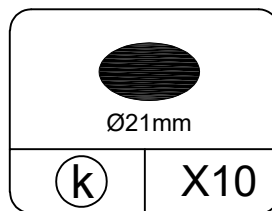
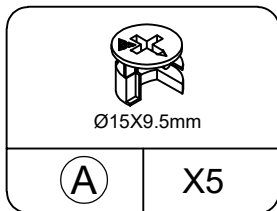
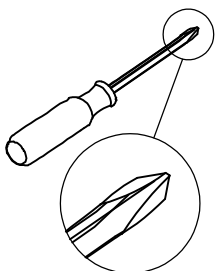


Proper orientation of CAM LOCK

STEP 20

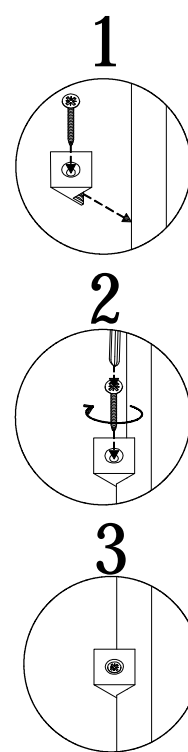
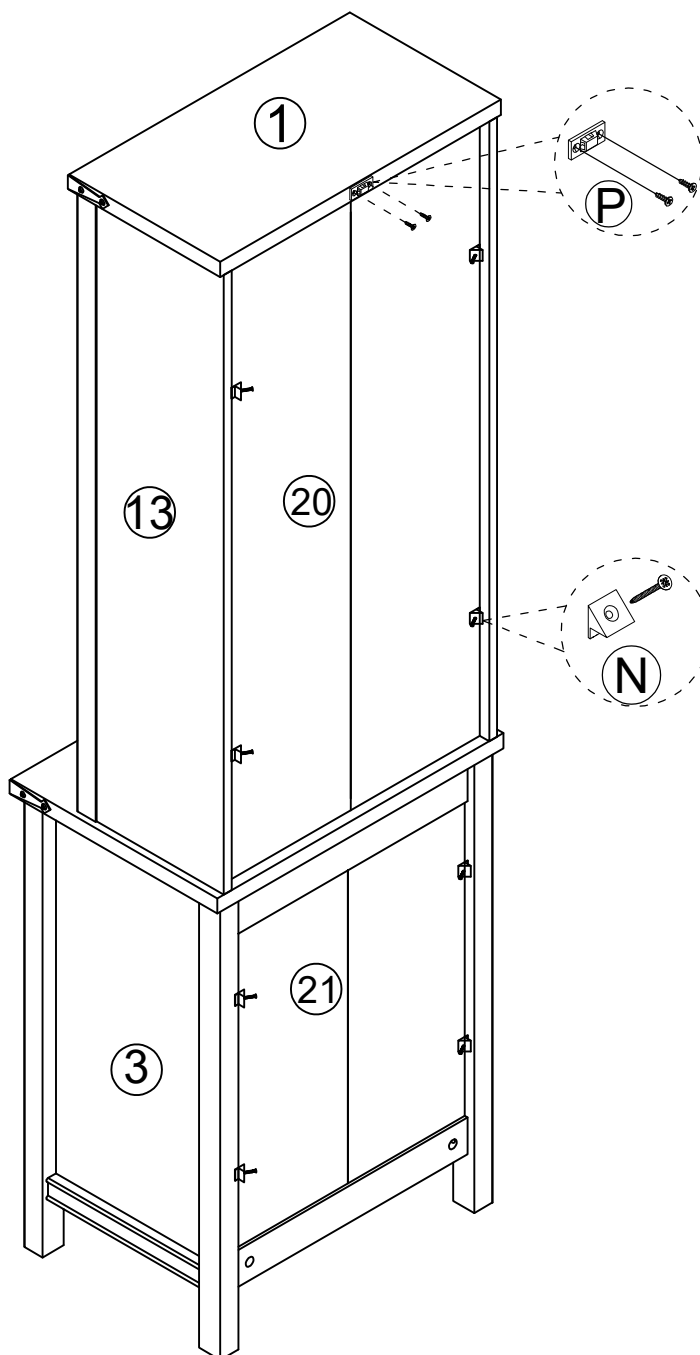
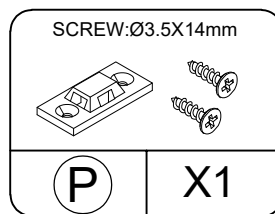
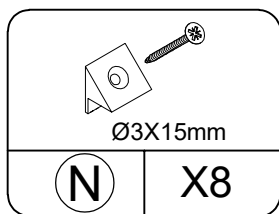
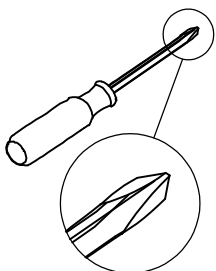


STEP 21

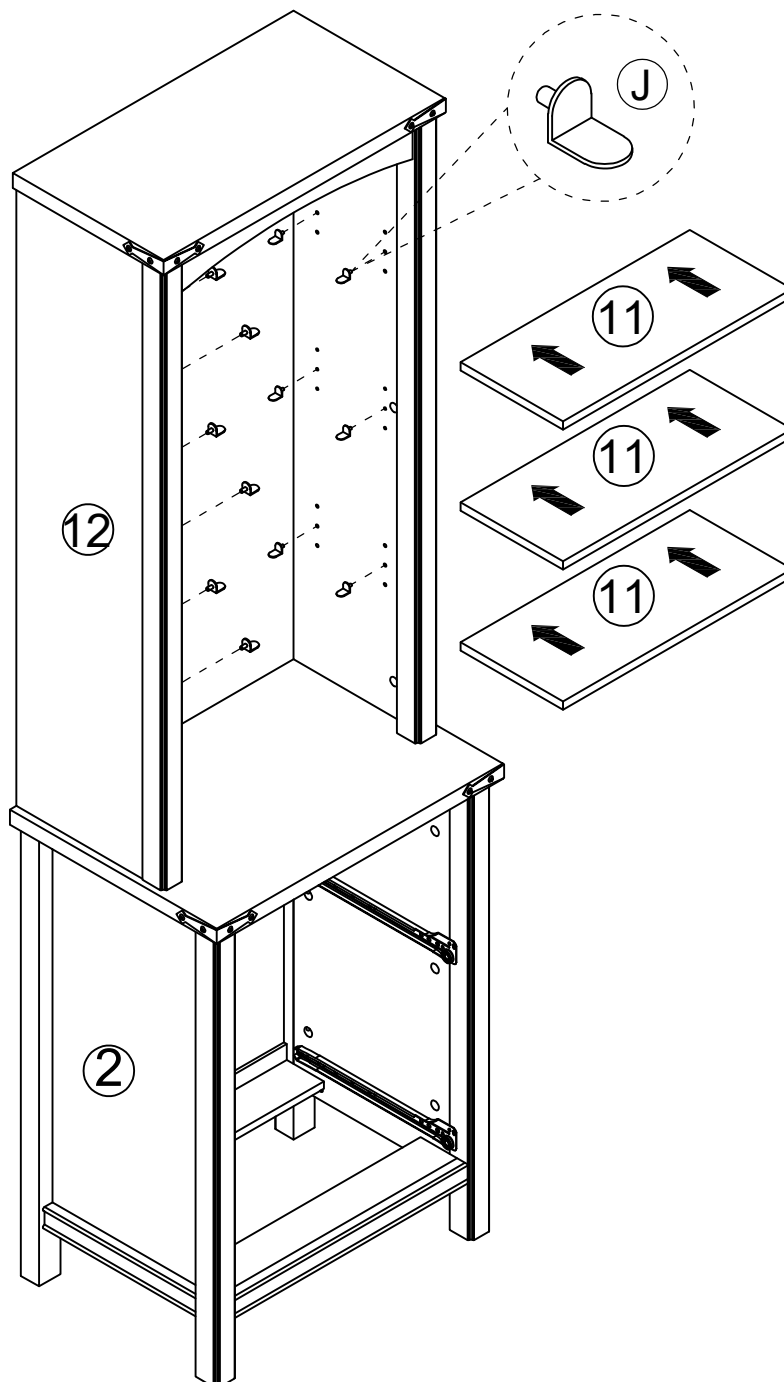
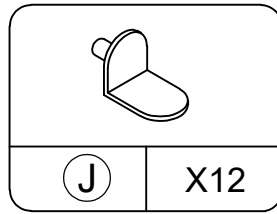


Proper orientation of CAM LOCK

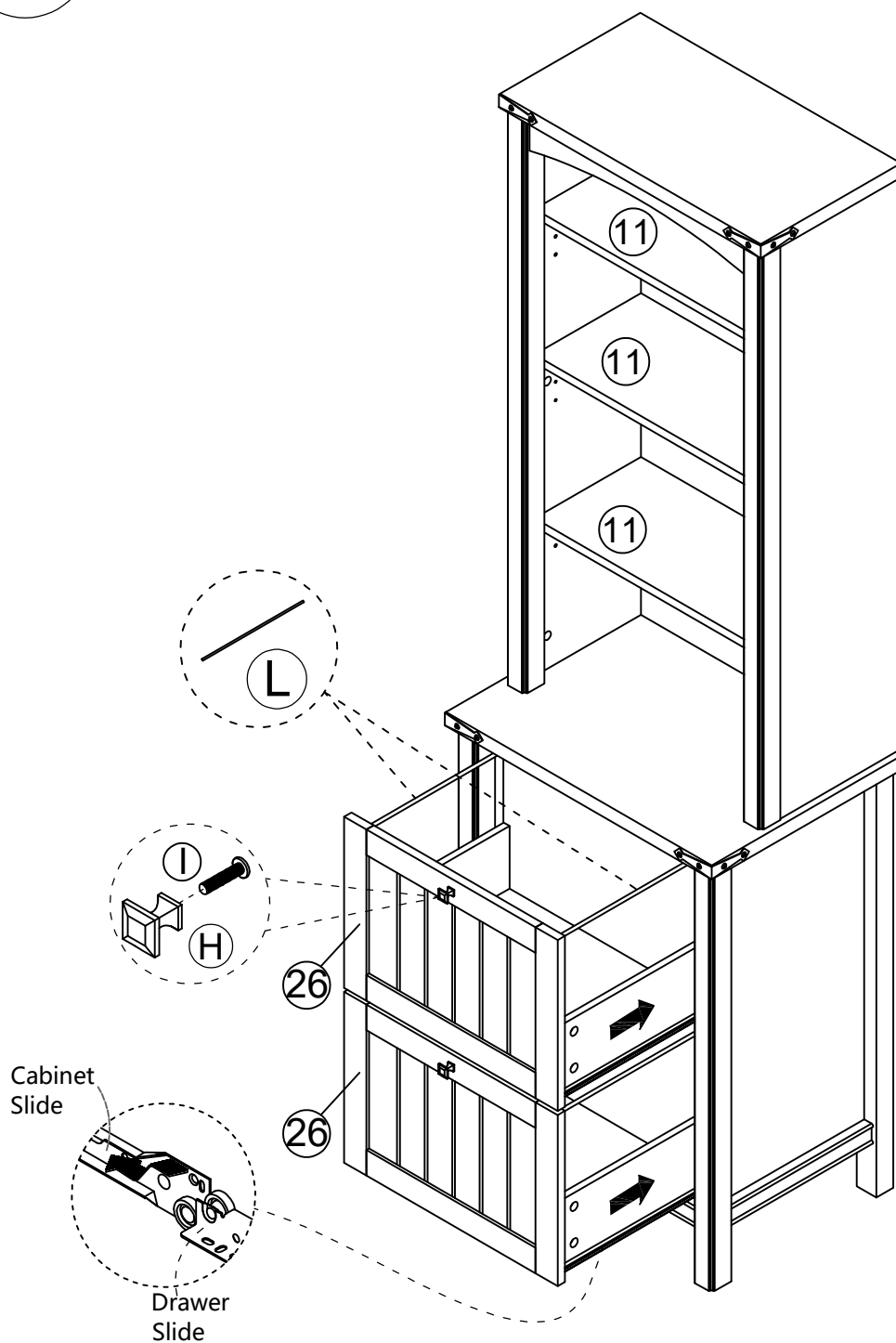
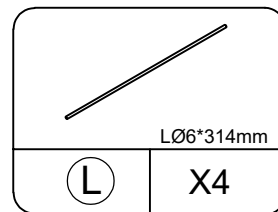
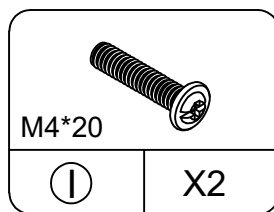
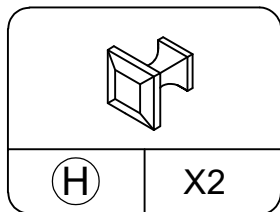
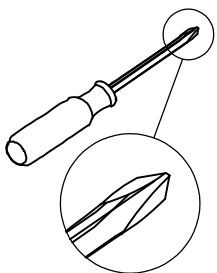
STEP 22



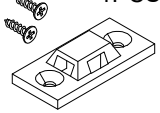




STEP 23



STEP 24

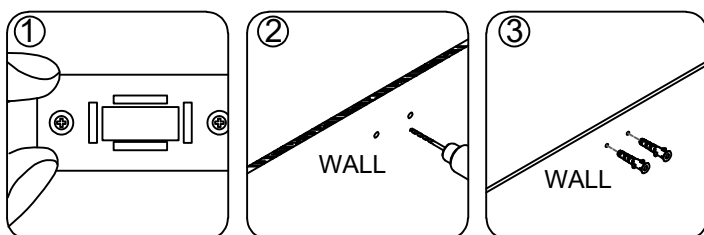


STEP 25

 1PCS Ø45X20mm	 2PCS Ø8X29mm	 1PCS	 2PCS Ø4X40mm
	X1 set		

We have included a set of tipping restraint hardware for this unit. You must install this hardware to prevent accidents or injuries that can result from the unit falling. When properly installed, this restraint can provide protection against the unexpected tipping of the unit due to small tremors, bumps or climbing. We strongly recommend mounting this hardware to a wall stud and your unit.

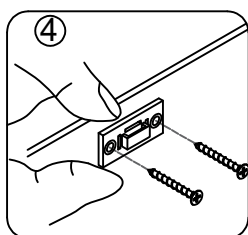
Install the tipping restraint hardware



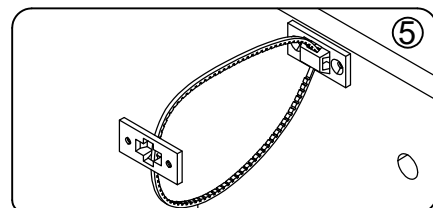
1. make mark on the wall

2. drill two Ø6 holes on the wall

3. put two anchors in the holes



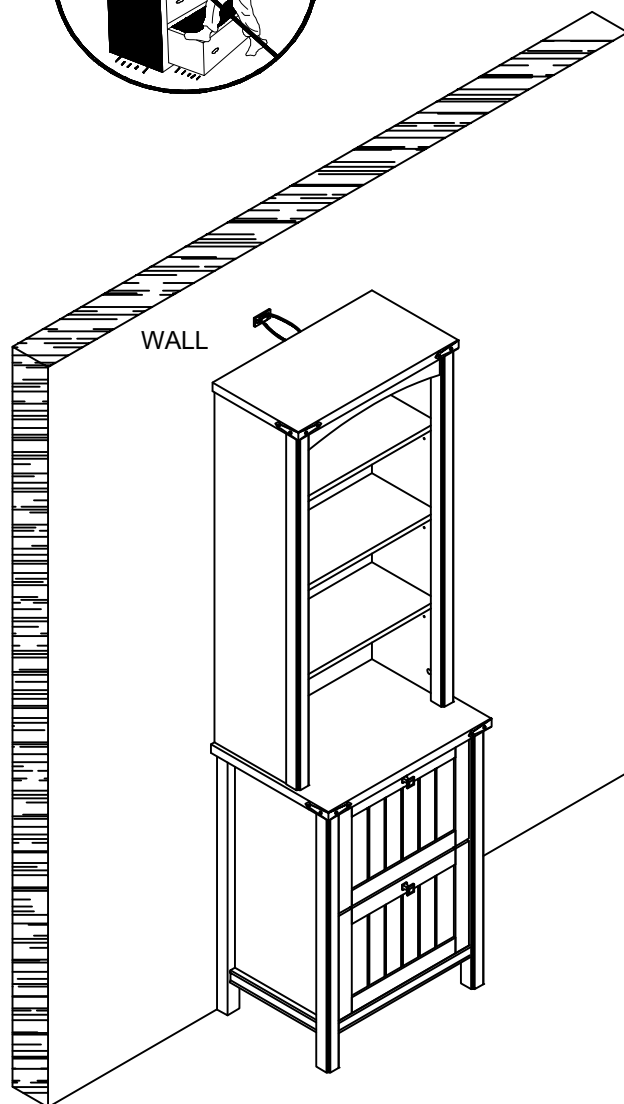
4. fix the device on the wall by the long screws



5. Push the cabinet close to the wall so that the two bases are close to each other, and then put on nylon tie to tighten it.



NOTE: The tipping restraint hardware included is for wooden stud wall construction. It must be attached to a wall stud. Depending upon your wall construction different anchor hardware maybe required. Please contact your local hardware store for assistance. Young children can be seriously injured by tipping furniture. You must install the tipping restraint hardware with the unit to prevent the unit from tipping, causing any accidents or damage. The tipping restraints are intended only as a deterrent and are not a substitute for proper adult supervision. The tipping restraints are not earthquake restraints. If you wish to add the extra security of earthquake restraints, they must be purchased and installed separately.



⚠ WARNING



Children have died from furniture tipover. To reduce the risk of furniture tipover:

- ALWAYS install tipover restraint provided.
- NEVER put a TV on this product.
- NEVER allow children to stand, climb or hang on drawers, doors, or shelves.
- NEVER open more than one drawer at a time.
- Place heaviest items in the lowest drawers.
- Do not defeat or remove the drawer interlock system.

This is a permanent label.

Do not remove!

⚠ ATTENTION



Des enfants sont morts du basculement des meubles. Pour réduire le risque de basculement des meubles:

- TOUJOURS installer la retenue de basculement fournie.
- NE JAMAIS mettre de téléviseur sur ce produit.
- NE JAMAIS permettre aux enfants de se tenir debout, de grimper ou de s'accrocher à des tiroirs, des portes ou des étagères.
- N'ouvrez JAMAIS plus d'un tiroir à la fois.
- Placez les objets les plus lourds dans les tiroirs les plus bas.
- Ne désactivez pas et ne retirez pas le système de verrouillage du tiroir.

Ceci est une étiquette permanente.

Ne pas enlever!

⚠ WARNUNG



Kinder sind an einem Möbelkipp gestorben. So verringern Sie das Risiko eines Umkippens von Möbeln:

- Installieren Sie IMMER die mitgelieferte Kipprückhaltevorrichtung.
- Stellen Sie NIEMALS einen Fernseher an dieses Produkt.
- Lassen Sie Kinder NIEMALS an Schubladen, Türen oder Regalen stehen klettern oder hängen.
- Öffnen Sie NIEMALS mehr als eine Schublade gleichzeitig.
- Legen Sie schwerste Gegenstände in die untersten Schubladen.
- Besiegen oder entfernen Sie das Schubladenverriegelungssystem nicht.

Dies ist ein dauerhaftes Etikett.

Nicht entfernen!