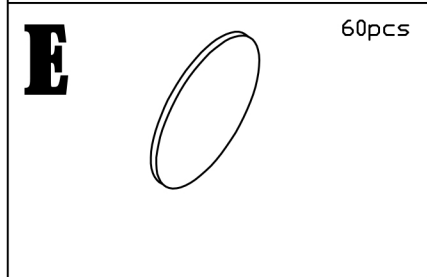
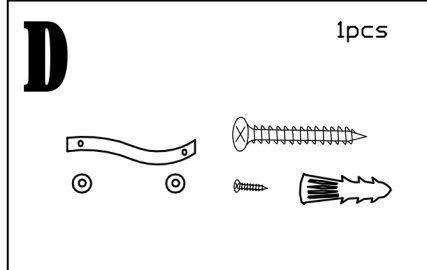
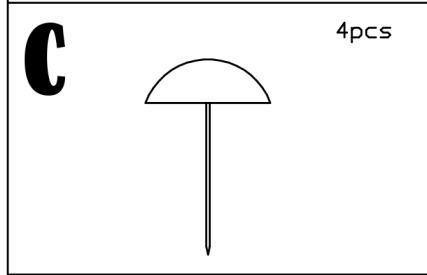
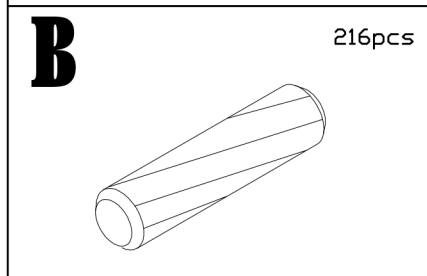
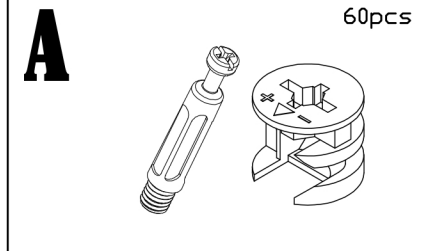
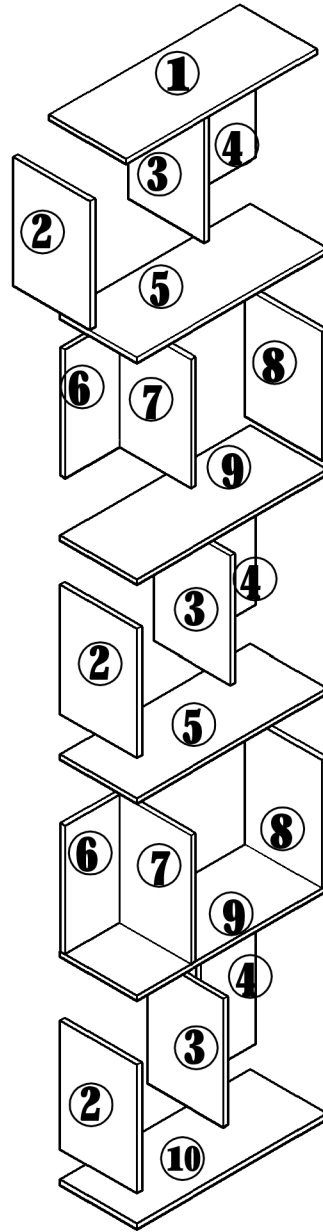
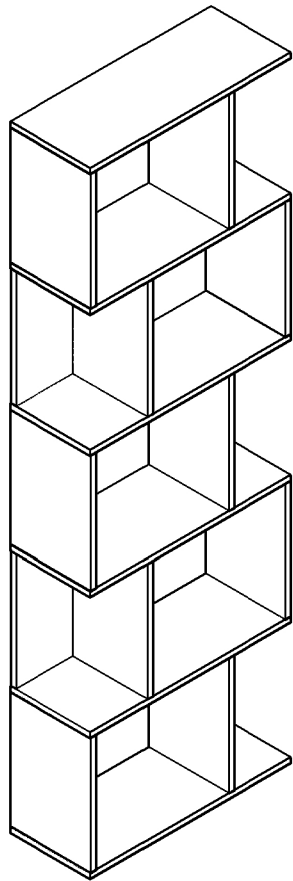
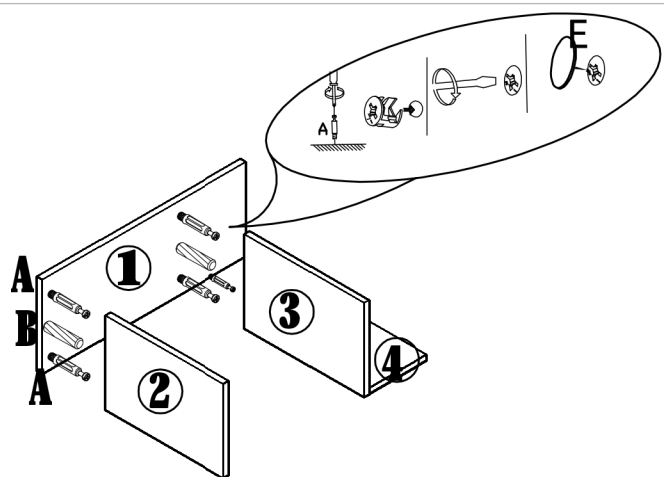
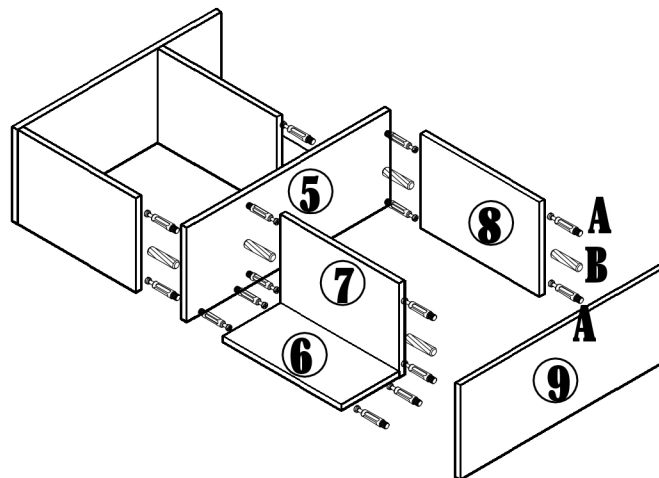
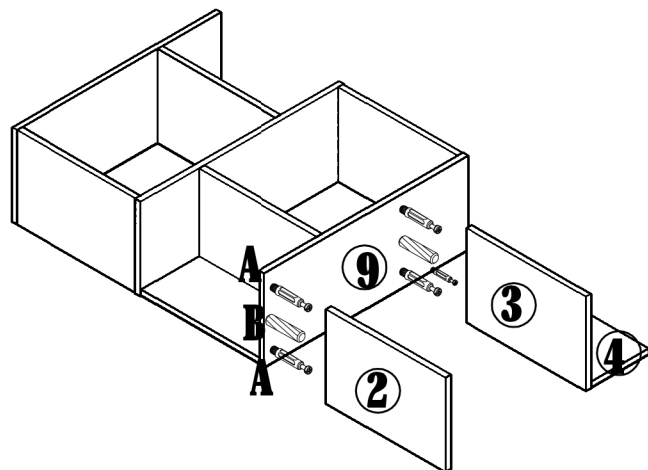
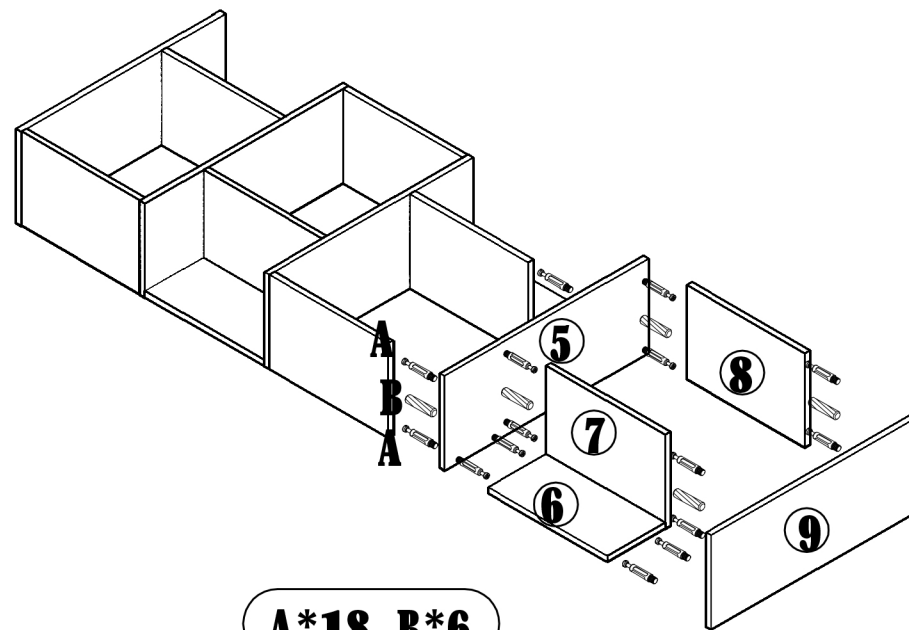


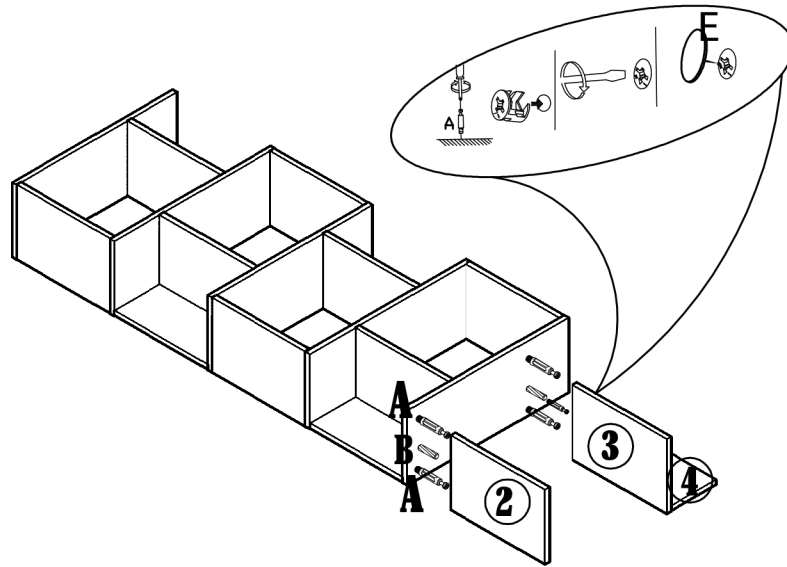
Please read these instructions and warranty information carefully before use and keep them properly for future reference.

OPERATING INSTRUCTIONS



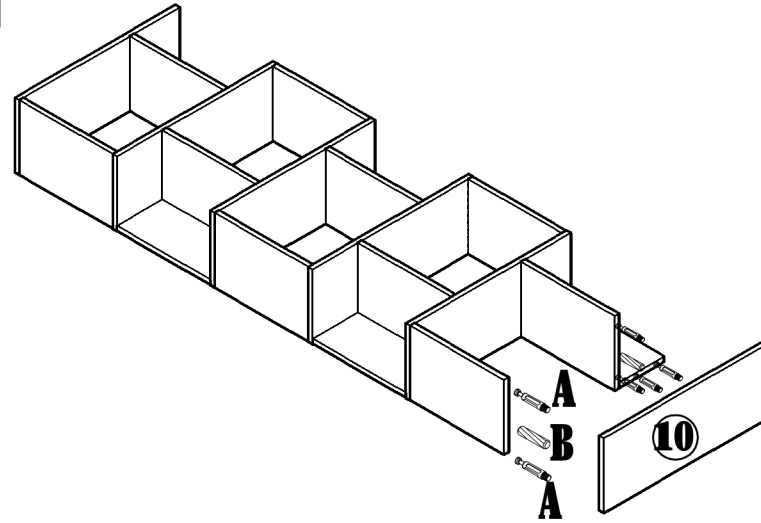
1**A*6 B*2****2****A*18 B*6****3****A*6 B*2****4****A*18 B*6**

5



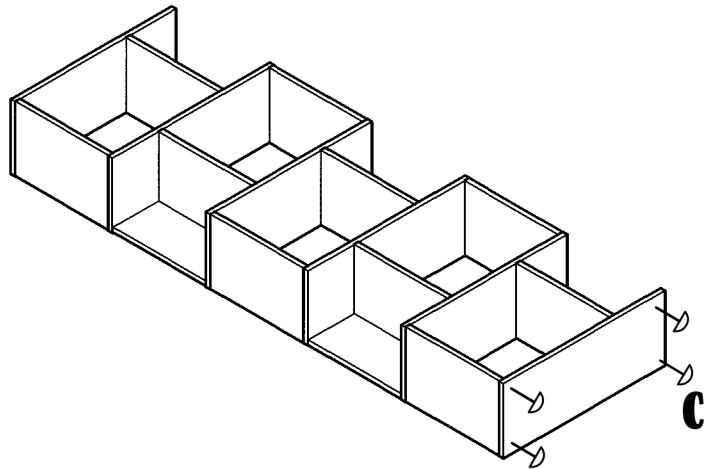
A*6 B*2

6



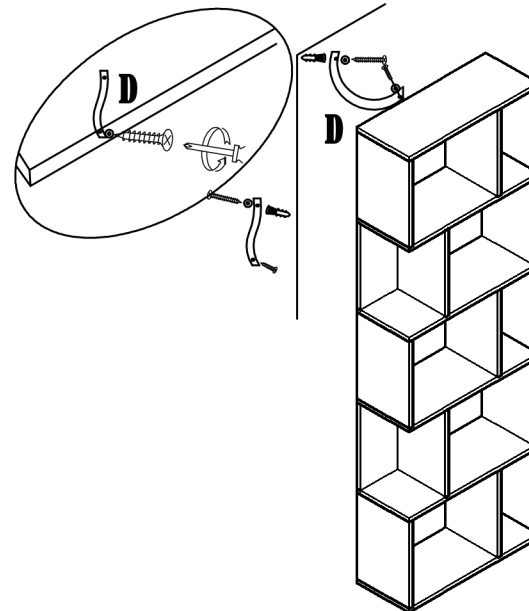
A*6 B*2

7



C*4

8



D*1