

# Williamsburg Estate Mailbox System

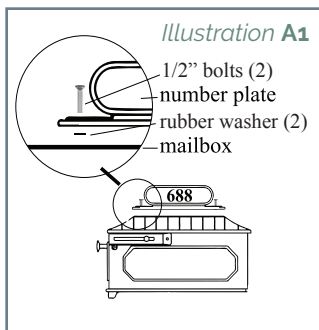
## ADDRESSES OF DISTINCTION

MAILBOXES + STREET SIGNS. INSTALLED.

### STEP 1

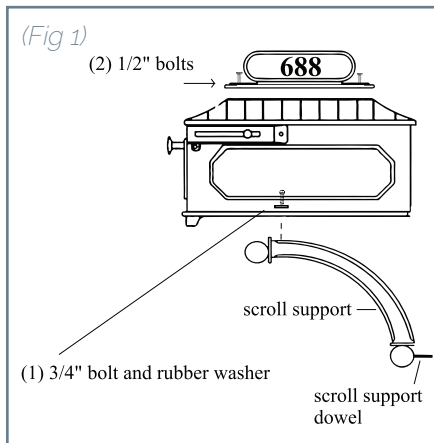
Place bolt through the top of the number plate. Next slide aluminum/rubber washer on to the bolt (rubber side against mailbox). Place bolt through the pre-drilled holes on top of the mailbox and tighten..

See *Illustration A1*



### STEP 2 (Fig 1)

Position scroll support to the bottom of the mailbox. Insert bolt through the bottom of mailbox into scroll support using (1) bolt and (1) washer.

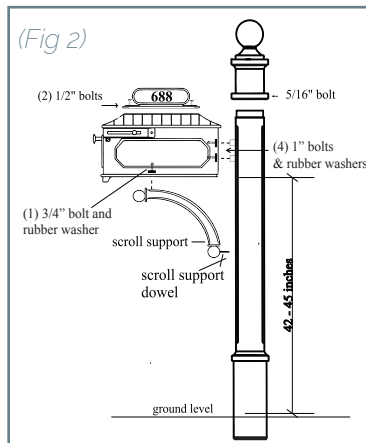


### STEP 3 (Fig 2)

Place top (4) 1" bolts and washers through mailbox and into the post. Do not tighten. Lift front of the mailbox and position the scroll support dowel into the post. Attach lower bolts and tighten all the bolts.

### STEP 4 (Fig 2)

Finish the look of your mailbox system by inserting the finial on top of the pole and securing with 5/16" bolt. Your mailbox is ready to be installed into the ground.



## YOUR MAILBOX PARTS

1-Support Scroll  
1-Number plate  
1-Finial  
1-Pole

1-Mailbox  
7-Bolts  
4-Rubber Washers

**Tools Required:** phillips head screw driver, 7/16 wrench or pliers, and allen key

# SUPPORT + FAQs

For Installation Tips:  
[aodmailboxes.com/installvideo](https://aodmailboxes.com/installvideo)

If I have questions, who can help? Call us at **1-800-436-1647** or email us at [support@aodmailboxes.com](mailto:support@aodmailboxes.com).

## **What's the story of your company?**

Addresses of Distinction was founded by two brothers from Georgia over a decade ago. While shopping for a mailbox, they were surprised how difficult it was to find a high quality mailbox that could stand the test of time. This led them to create a line of mailboxes that created a long lasting, first impression. They make decisions based on one simple rule - Would they be proud selling the mailbox to their family or best friends?

## **How do I care for my mailbox?**

Occasionally your mailbox may need cleaning. We suggest washing it with a mild, non-abrasive soap using a soft cloth or brush. Make sure to thoroughly rinse all the soap off the mailbox. If you are using brass numbers, they may be cleaned with a brass cleaner such as Brasso.

## **What if my mailbox is damaged at some future point?**

All of our mailboxes are bolted together so parts can be easily replaced. Simply call the number on the inside of the door and our team will be happy to help you bring your mailbox back to life.

## **Do you install with concrete?**

All mailboxes installed by Addresses of Distinction are installed using concrete. We warranty all installations for a period of one year. When your mailbox is installed, please wait 24 hours before applying pressure to the post, as it takes some time for the concrete to fully cure.