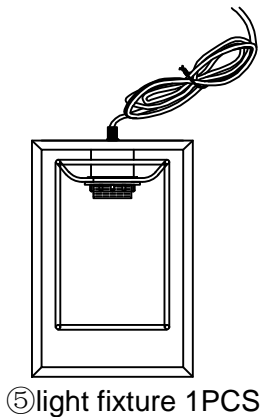


①canopy 1PCS
 ②cap nut 2PCS

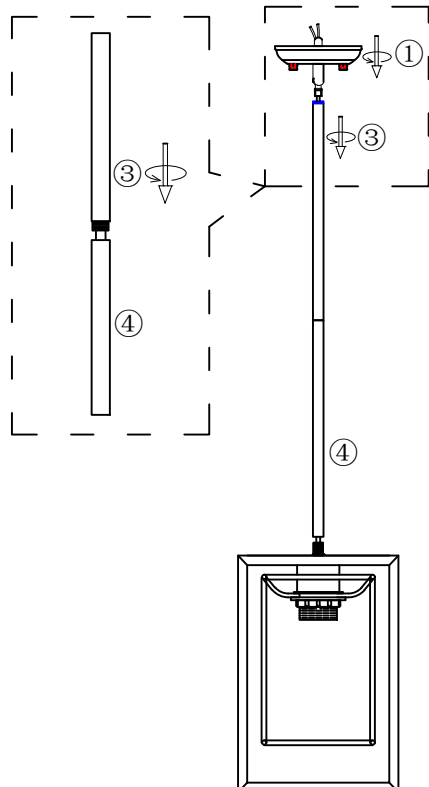
③hanging tube 3PCS

④hanging tube 1PCS

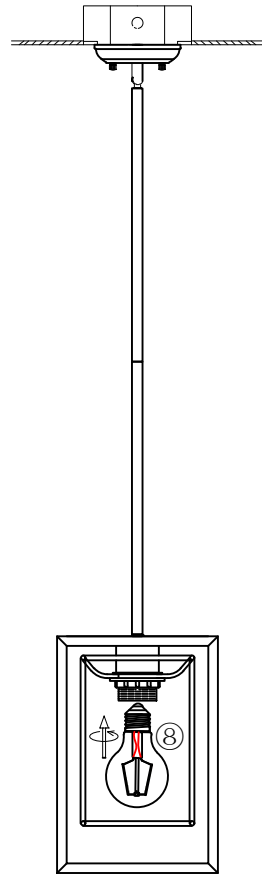
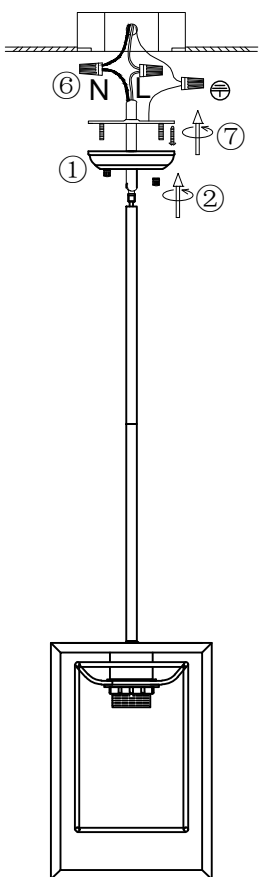


⑤light fixture 1PCS

- ⊙ X 1PCS ⚡ X 3PCS ⚡ X 3PCS
- ⚡ X 3PCS ⚡ X 3PCS



1. Let the wire of the light fixture ⑤ go through the tube ④, tube ③ and canopy ①, rotate to fasten all parts together.



2. Install the bracket to the ceiling junction box with screw ⑦.
 3. Connect the wire to the home line with cap connector ⑥.
 4. Install the fixture to the bracket with cap nut ②.

5. Install the bulb ⑧.

ZJD00182-1
 Please read carefully before installation!!!
 Note : Please make sure that the electricity is powered off during installation !
 Only a professional electrician should install this kind of product !