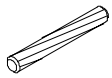
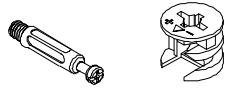


A



Ø8*40 52PCS

B



Ø5*40 100PCS

C



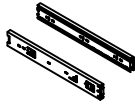
Ø3.5*14 40PCS

D

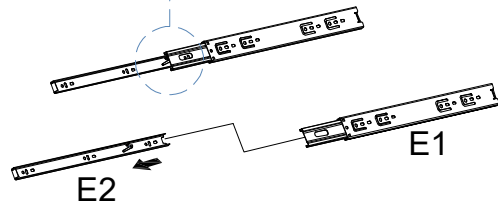
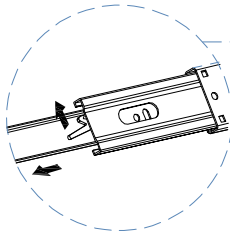


Ø3.5*35 16PCS

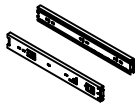
E



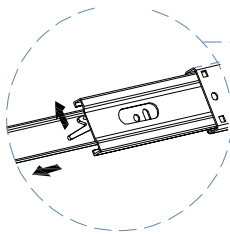
250MM 2PCS



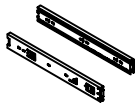
F



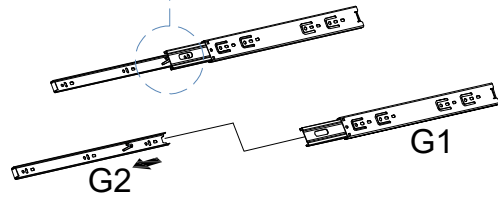
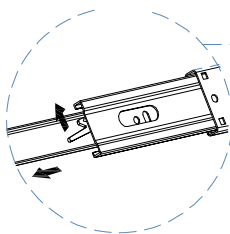
300MM 2PCS



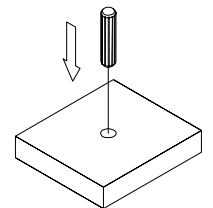
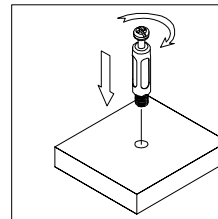
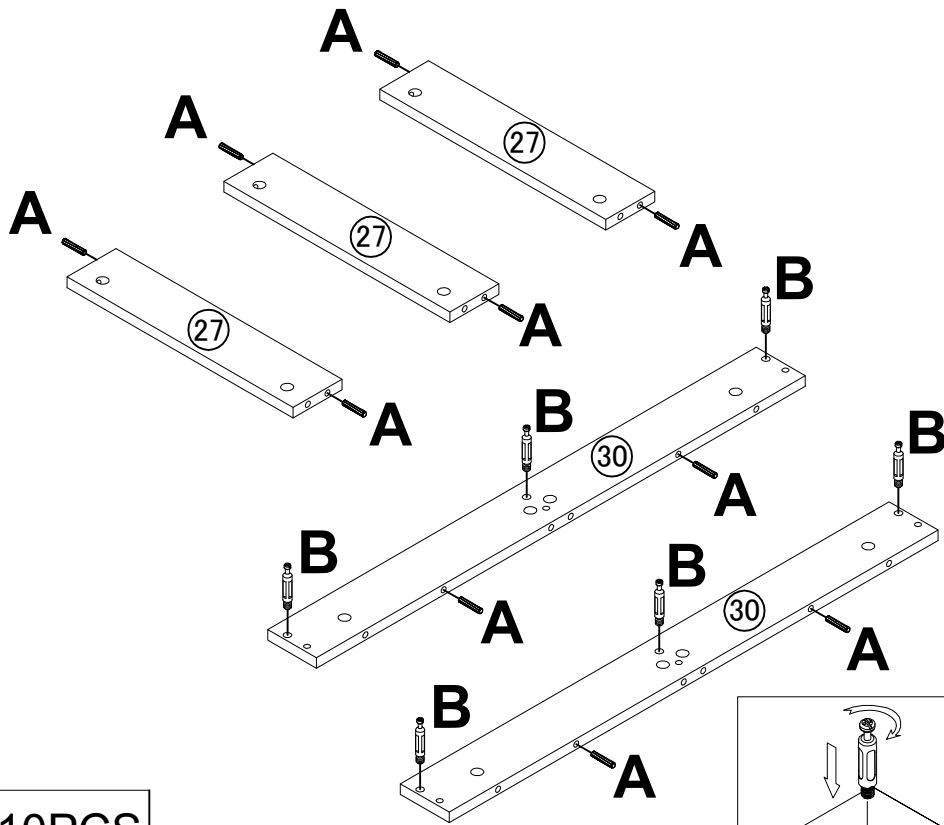
G





400MM 1PCS

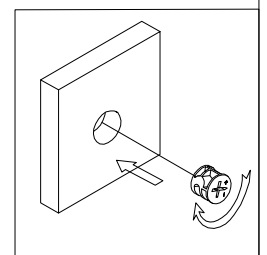
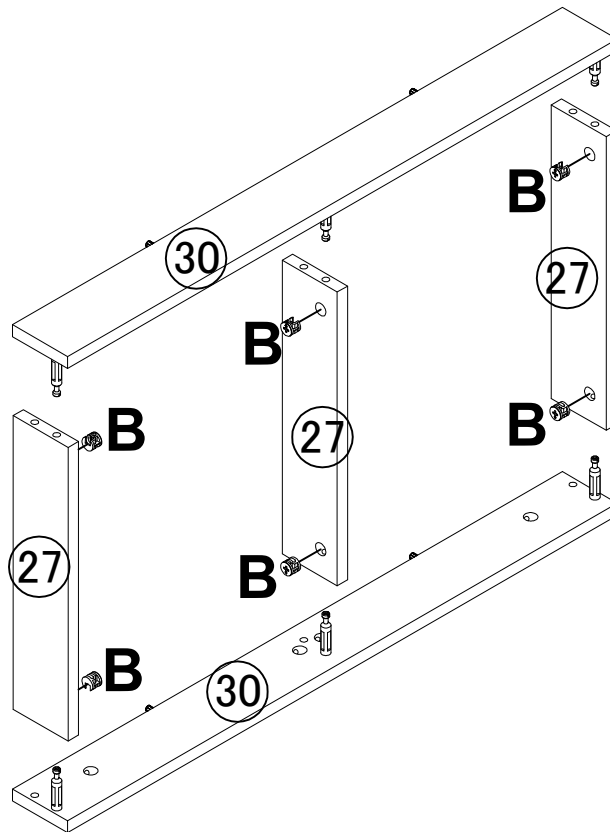


STEP1



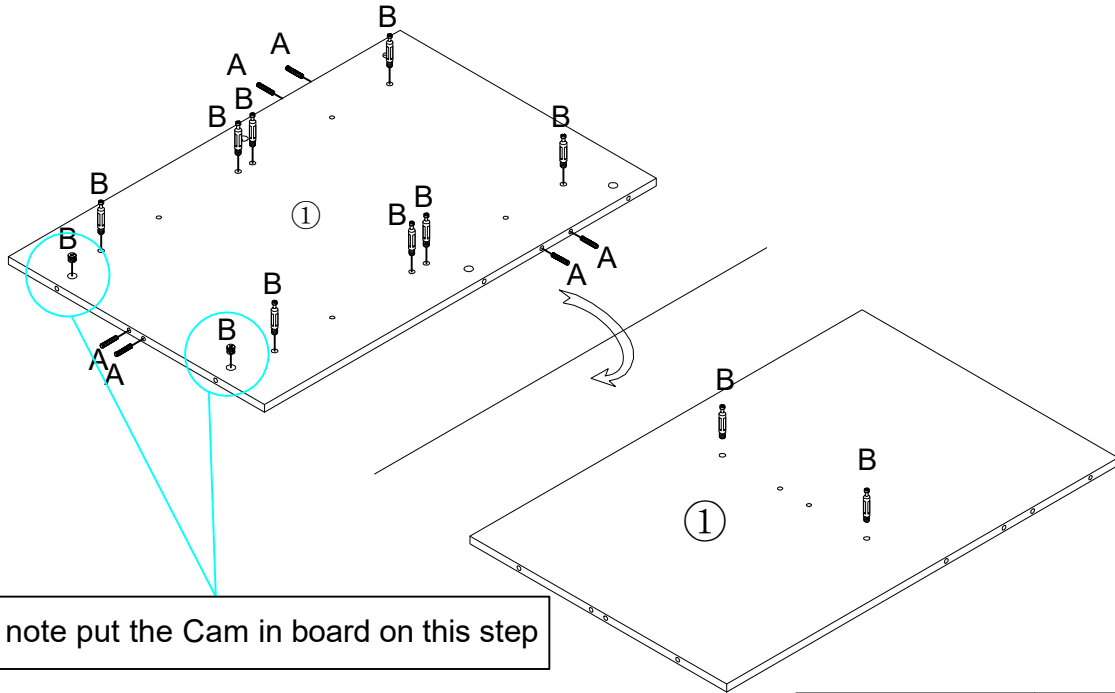
	Ax10PCS
	Bx6PCS

STEP2


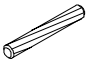



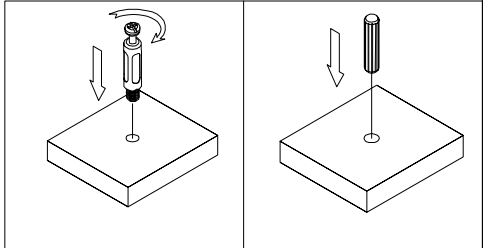
	Bx6PCS
---	--------

STEP3

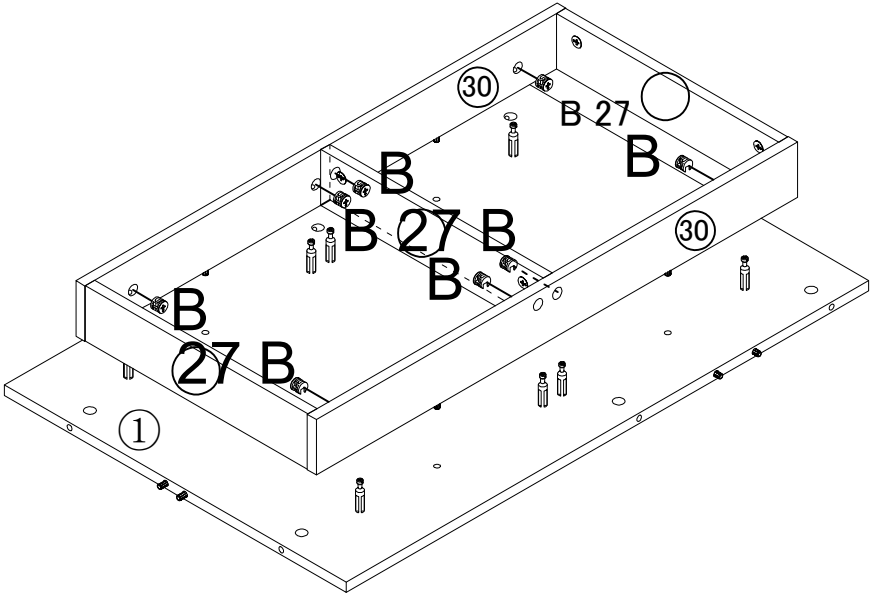


Please note put the Cam in board on this step

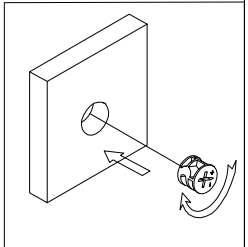
	Bx2PCS
	Ax6PCS
	Bx10PCS



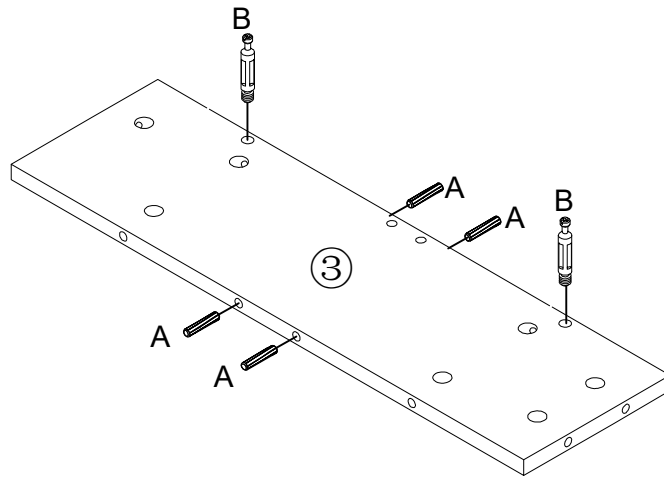
STEP4

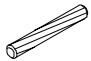



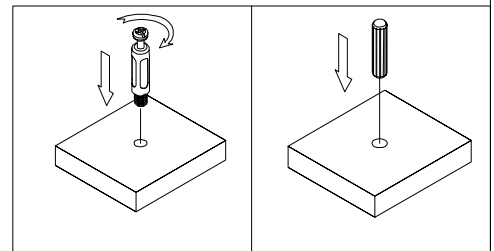
	Bx8PCS
---	--------



STEP5

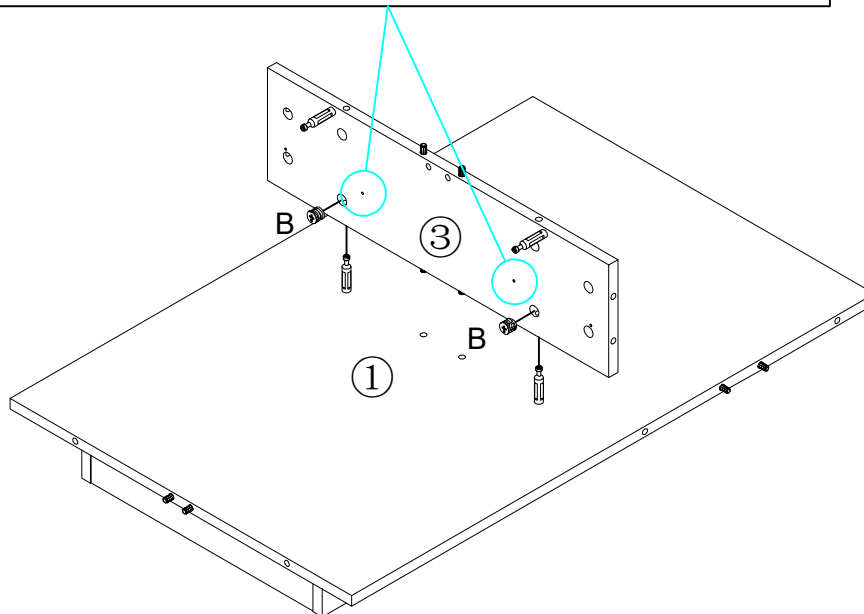



	Ax4PCS
	Bx2PCS

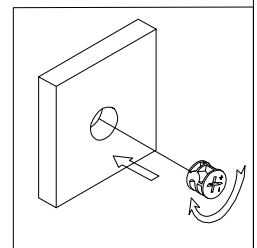


STEP6

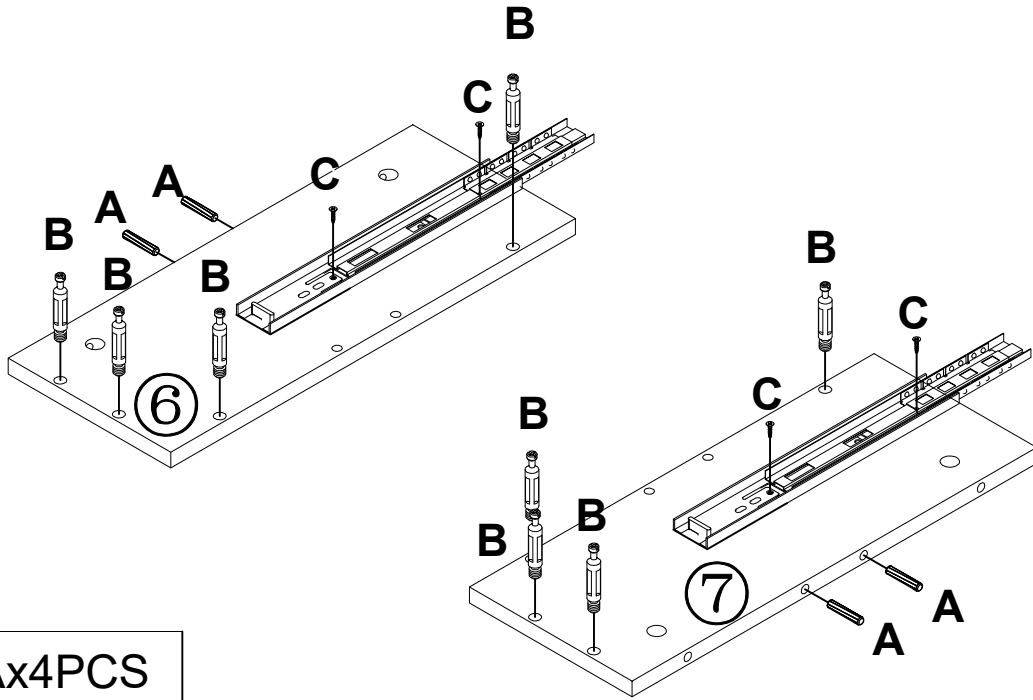
Please note drill hole side to left, or will cannot finish assembly







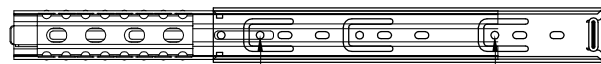
	Bx2PCS
---	--------



STEP7

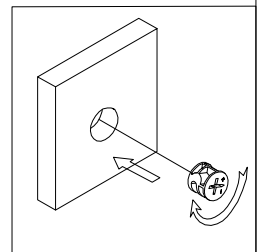
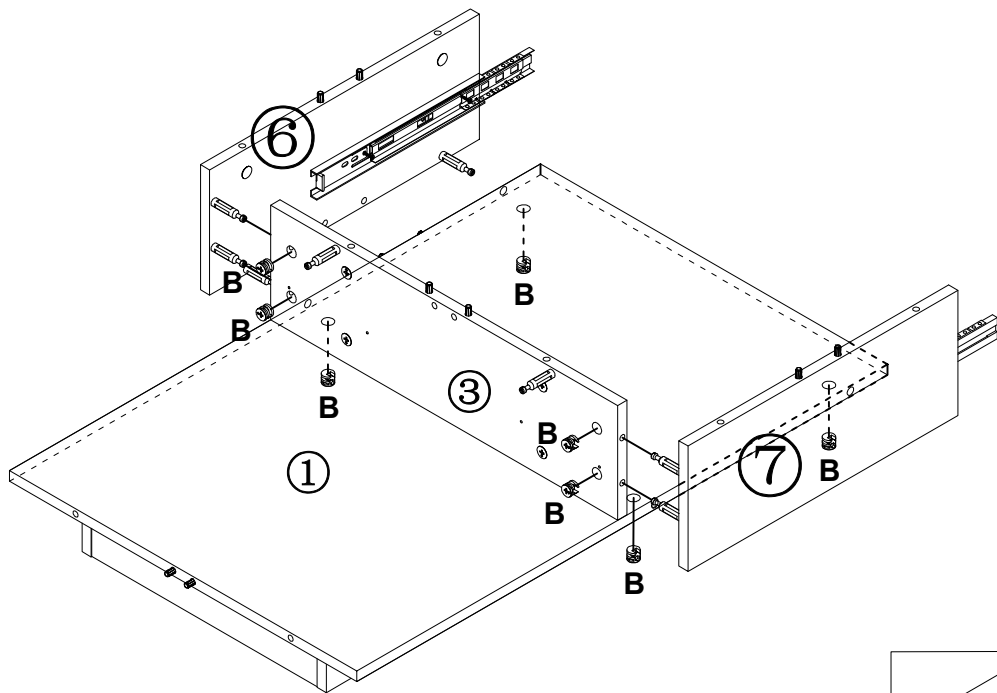


	Ax4PCS
	Bx8PCS
	Cx4PCS
	F1x2PCS



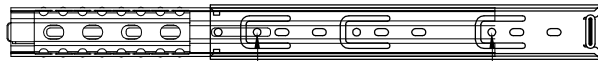
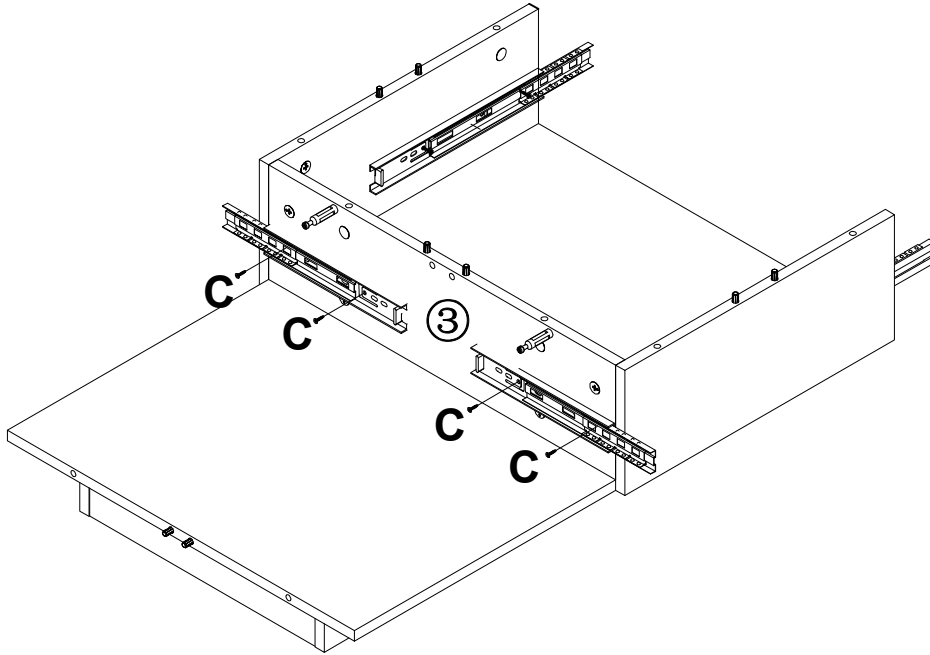
Second Hole Last Third Hole

STEP8


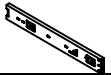


	Bx8PCS
---	--------

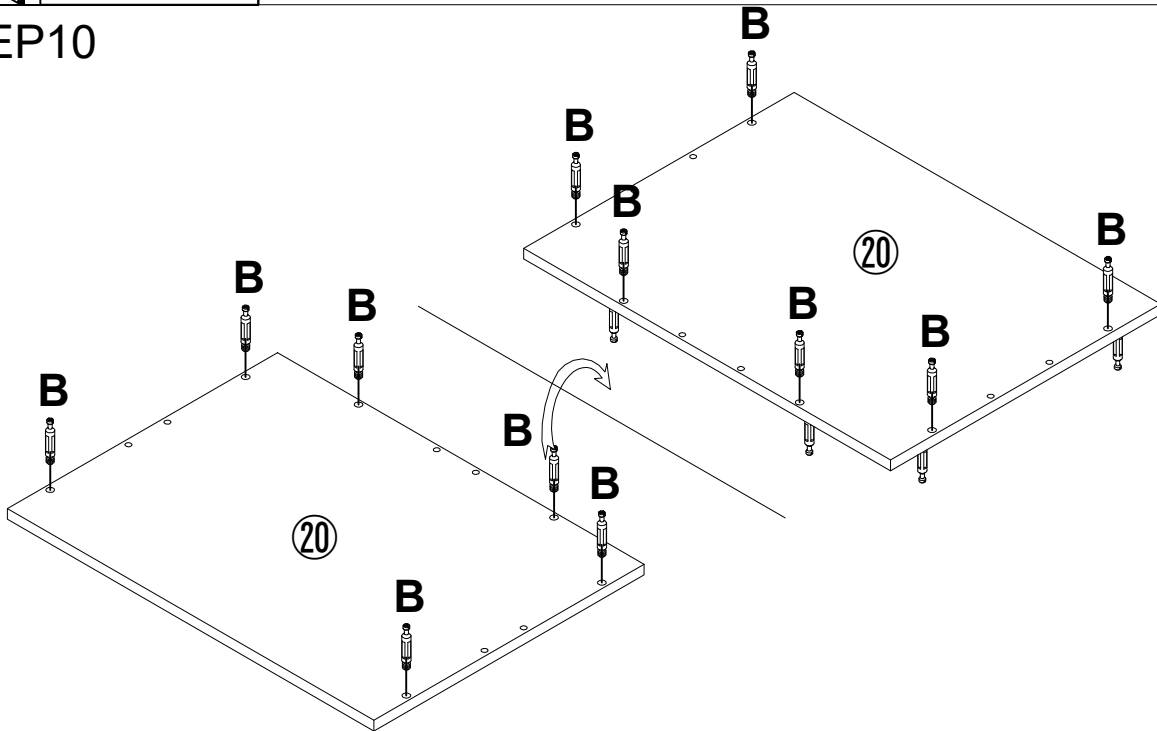
STEP9




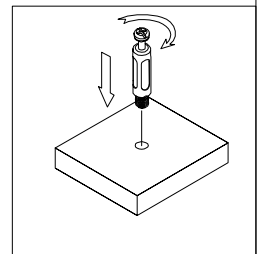
Second Hole Last Third Hole

	Cx4PCS
	E1x2PCS

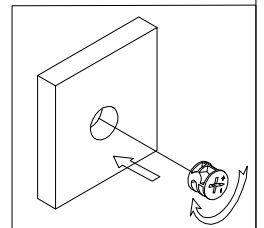
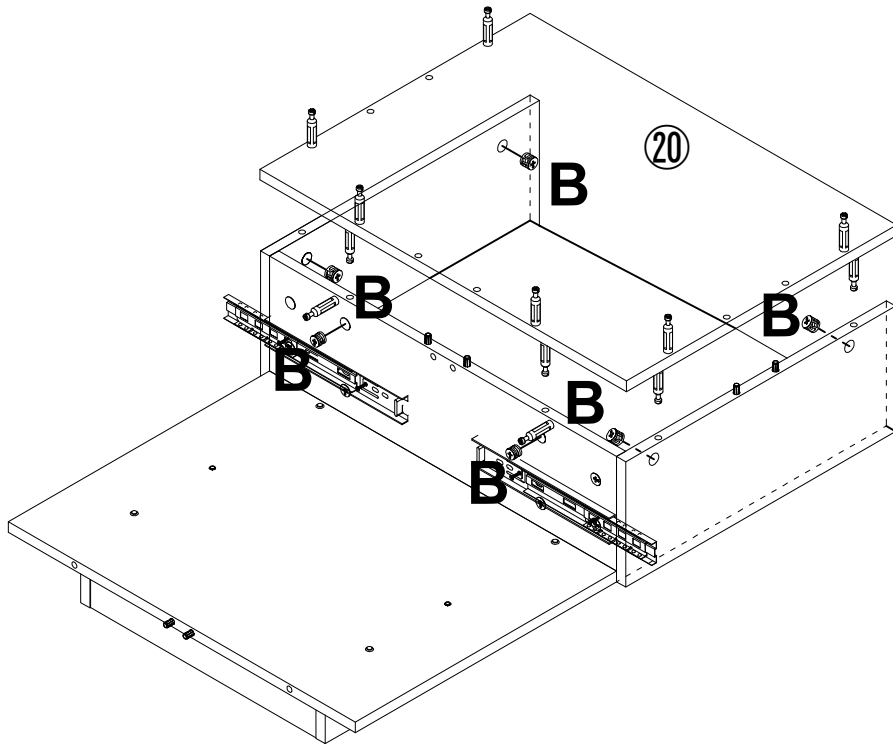
STEP10



	Bx12PCS
---	---------

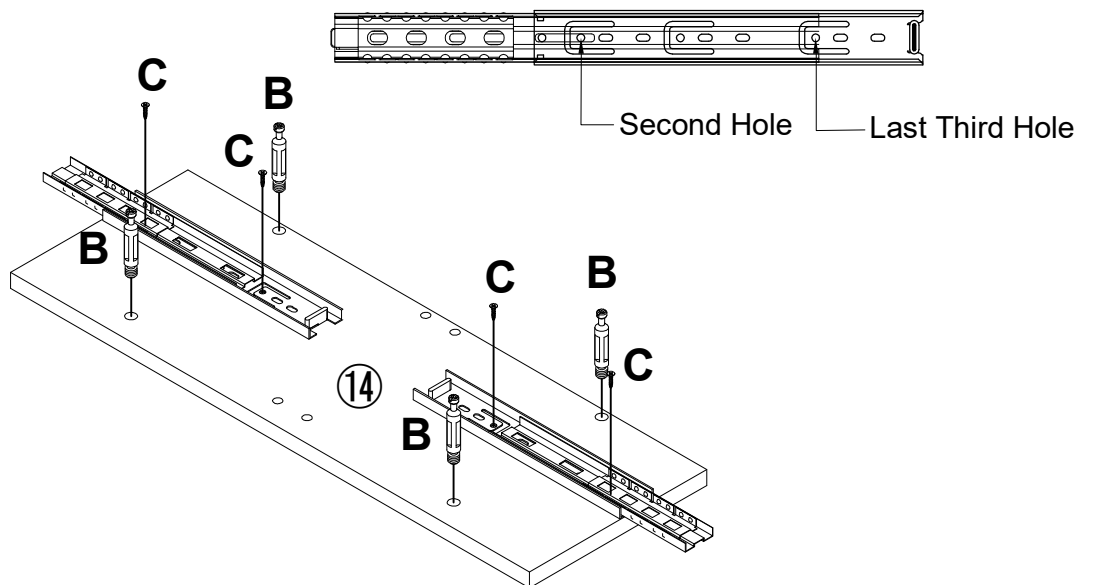


STEP11



Bx6PCS

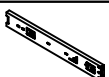
STEP12



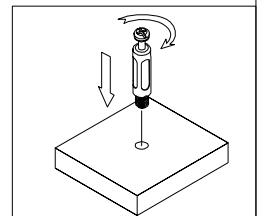
Bx4PCS



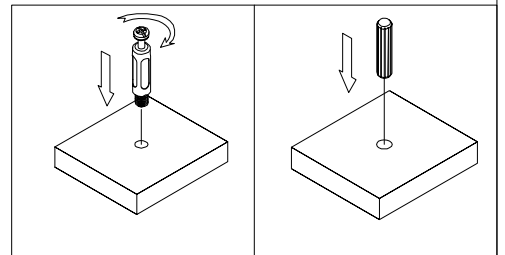
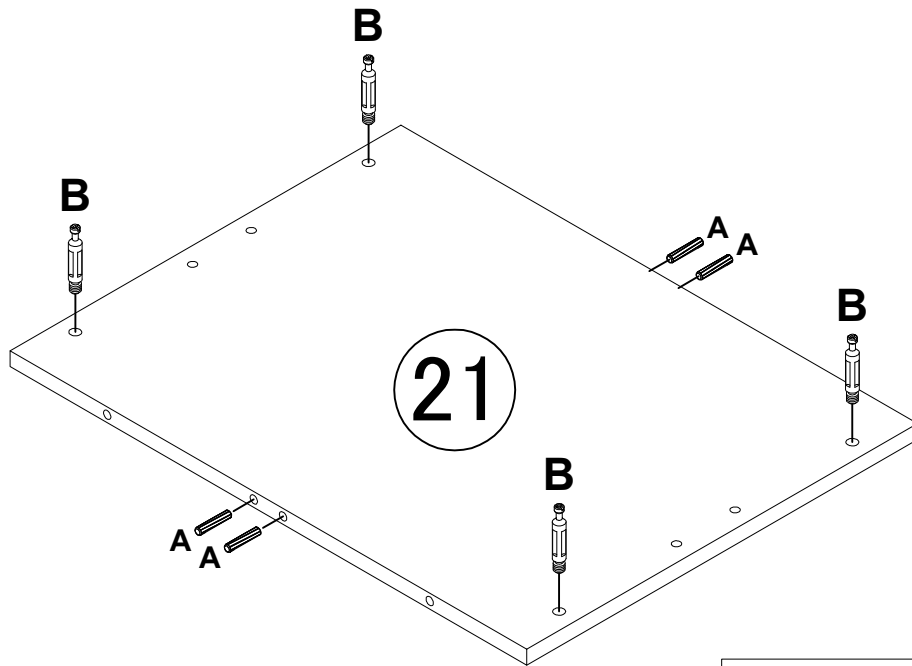
Cx4PCS

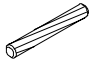



E1x2PCS

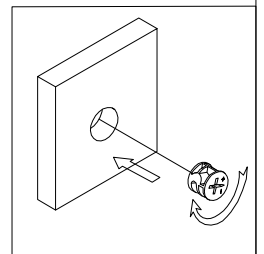
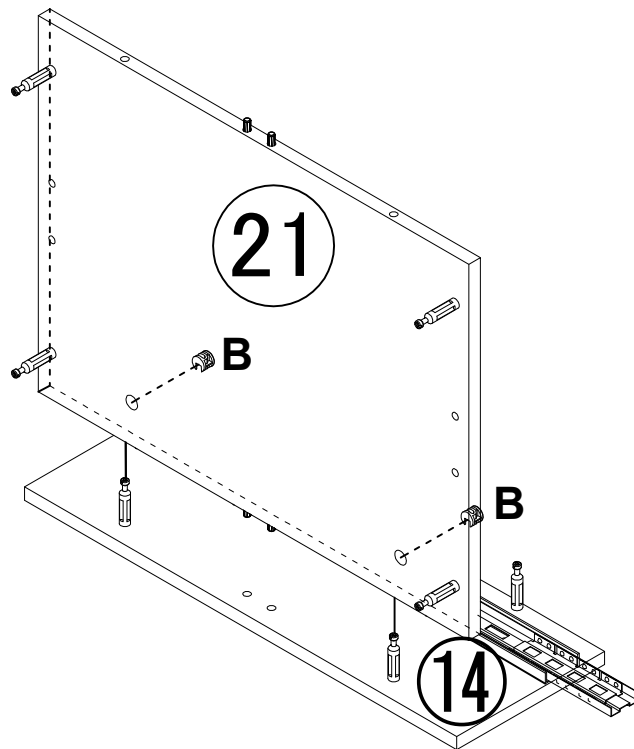



STEP13



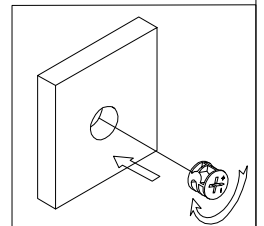
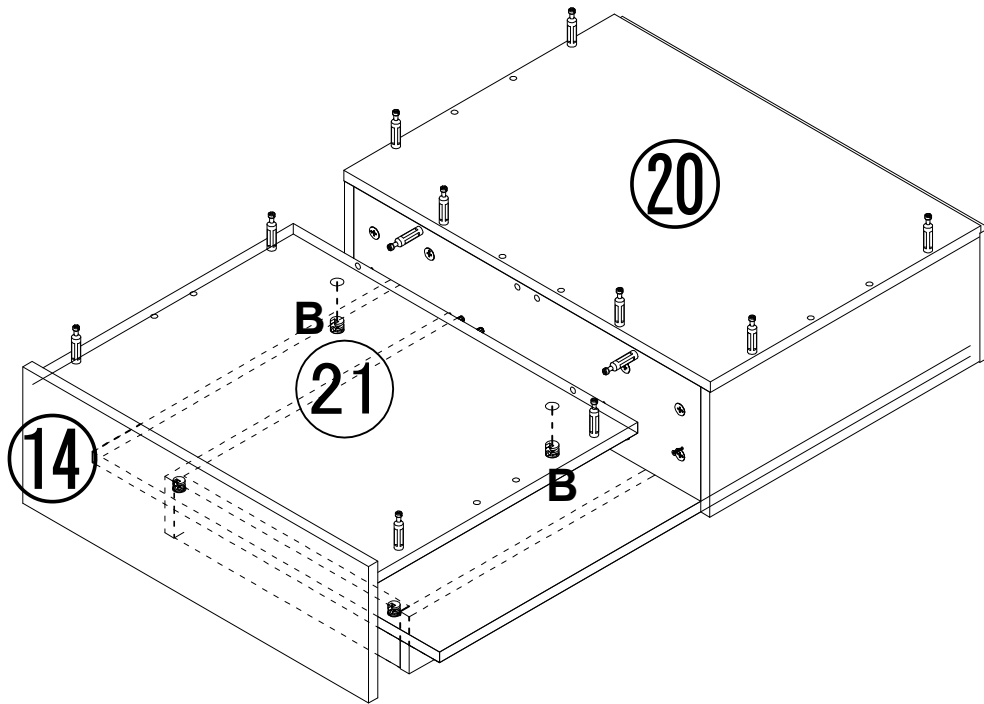
	Ax4PCS
	Bx4PCS

STEP14



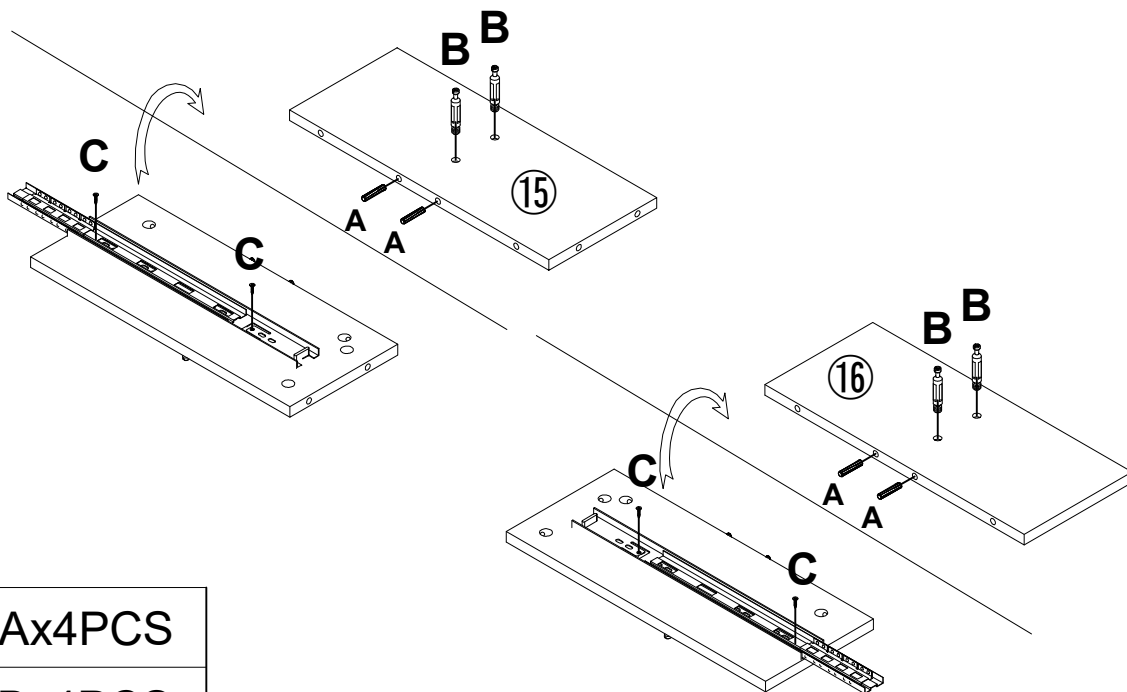
	Bx2PCS
---	--------

STEP15



Bx2PCS

STEP16



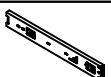
Ax4PCS



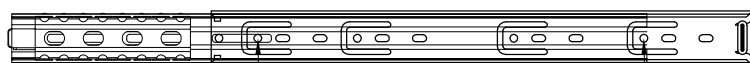
Bx4PCS



Cx4PCS



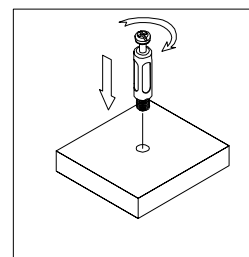
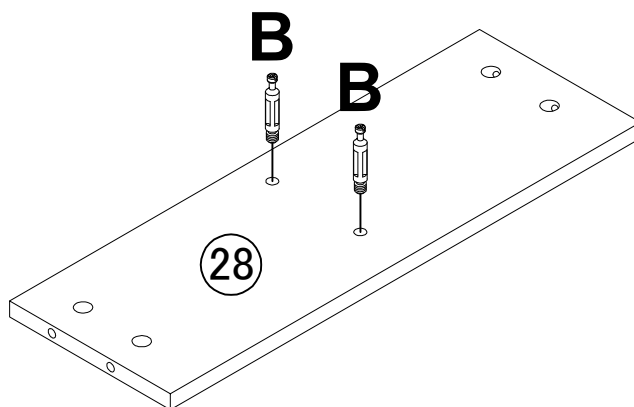
G1x2PCS



Second Hole

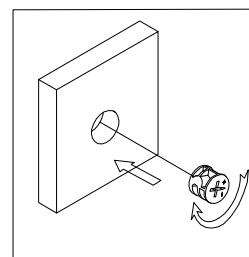
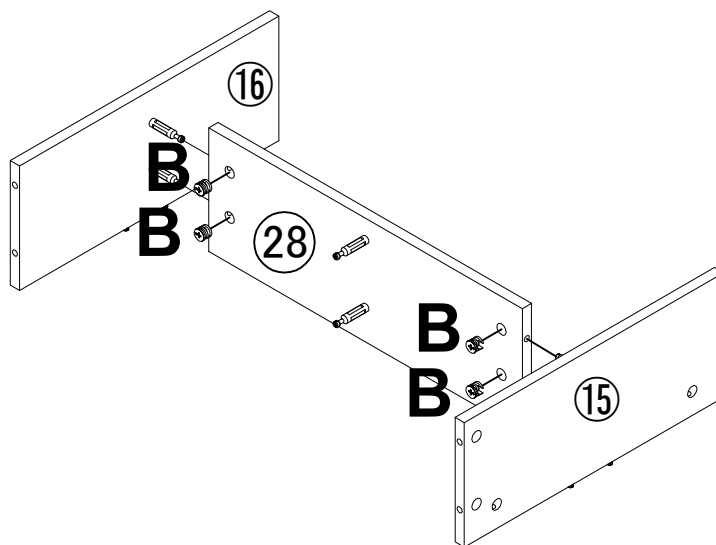
Last Third Hole

STEP17



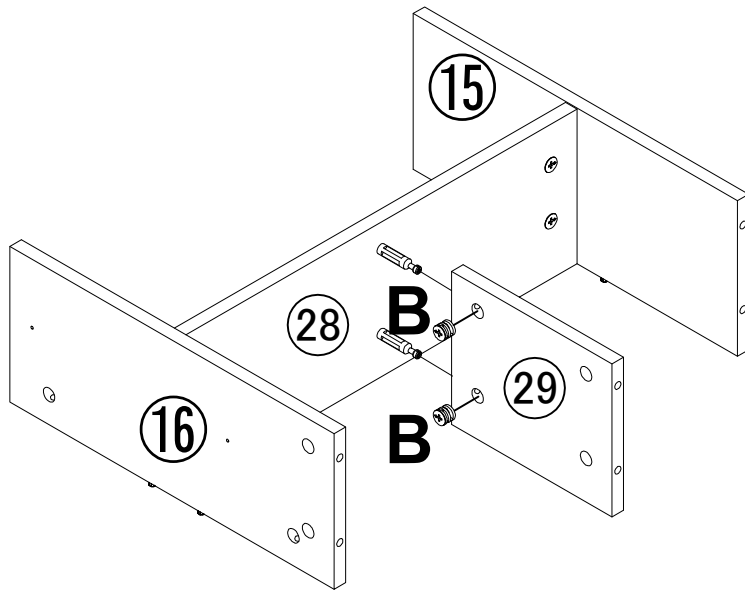
Bx2PCS

STEP18

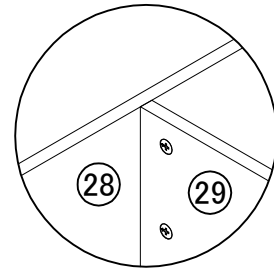


Bx4PCS

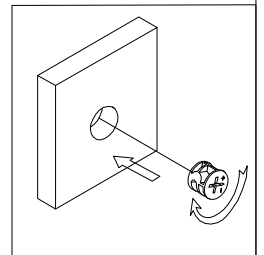
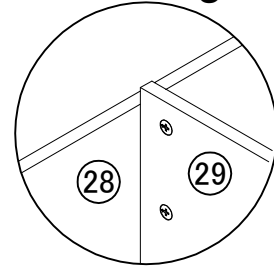
STEP19



Right

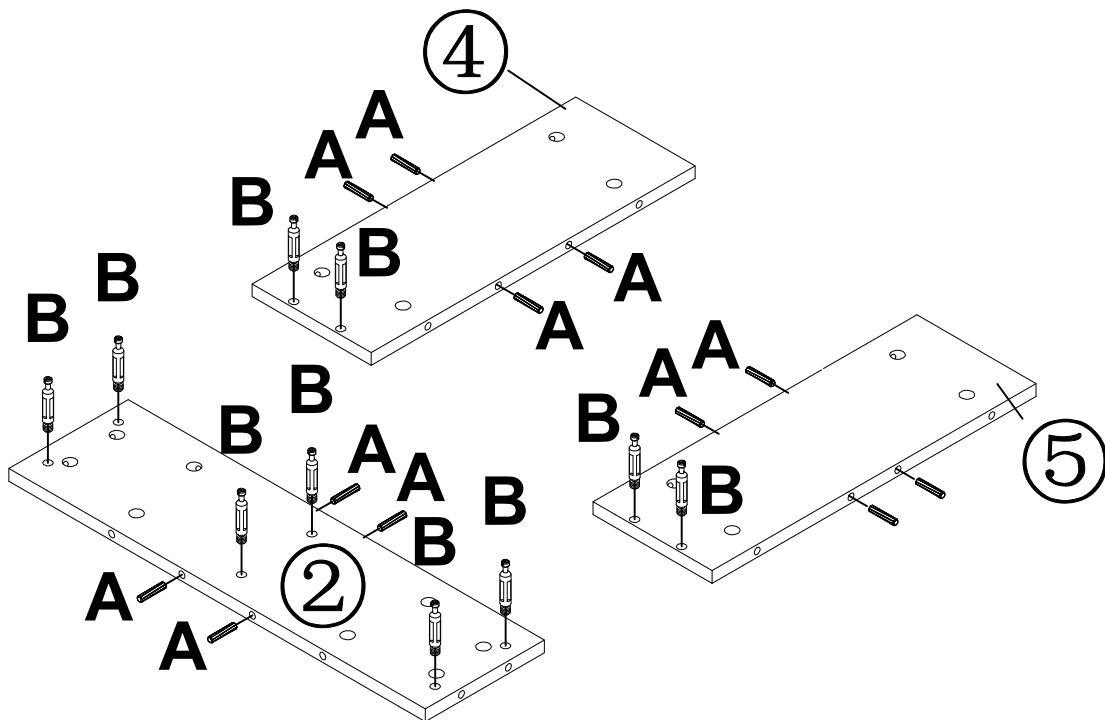


Wrong



Bx2PCS

STEP20

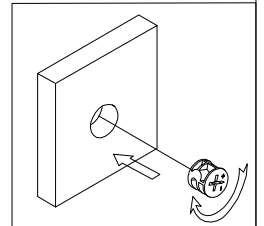
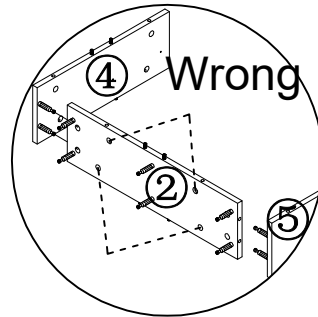
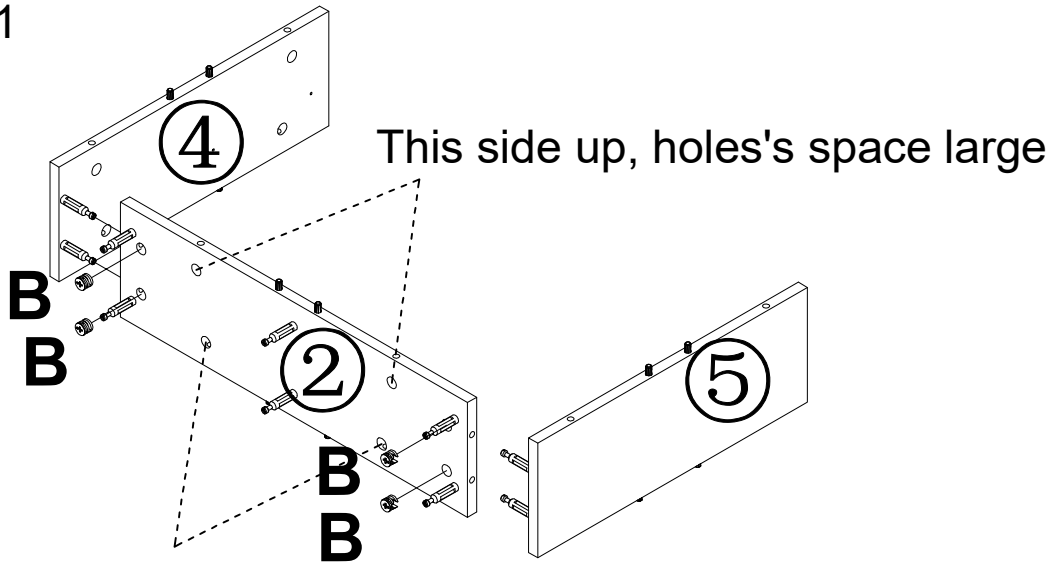


Ax12PCS



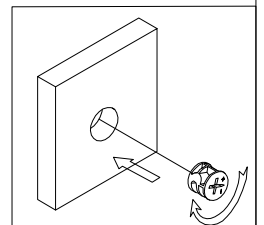
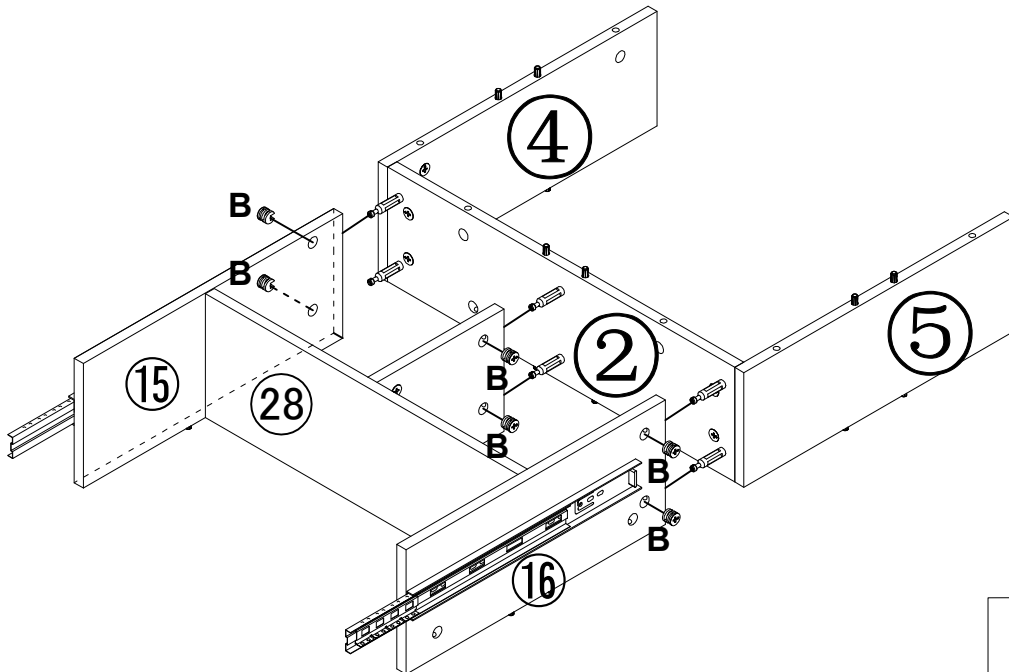
Bx10PCS

STEP21



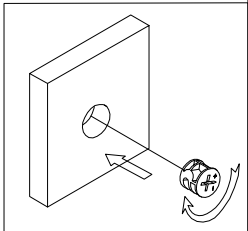
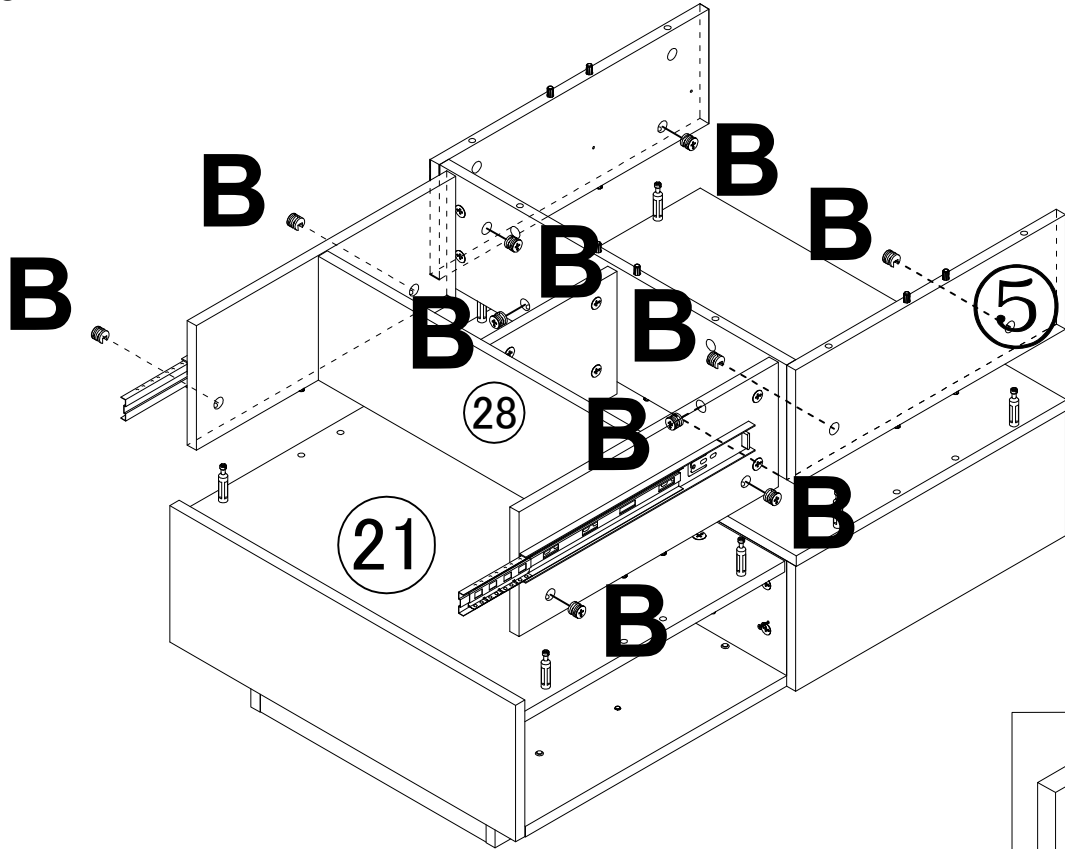
Bx4PCS

STEP22



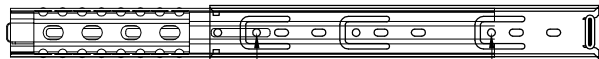
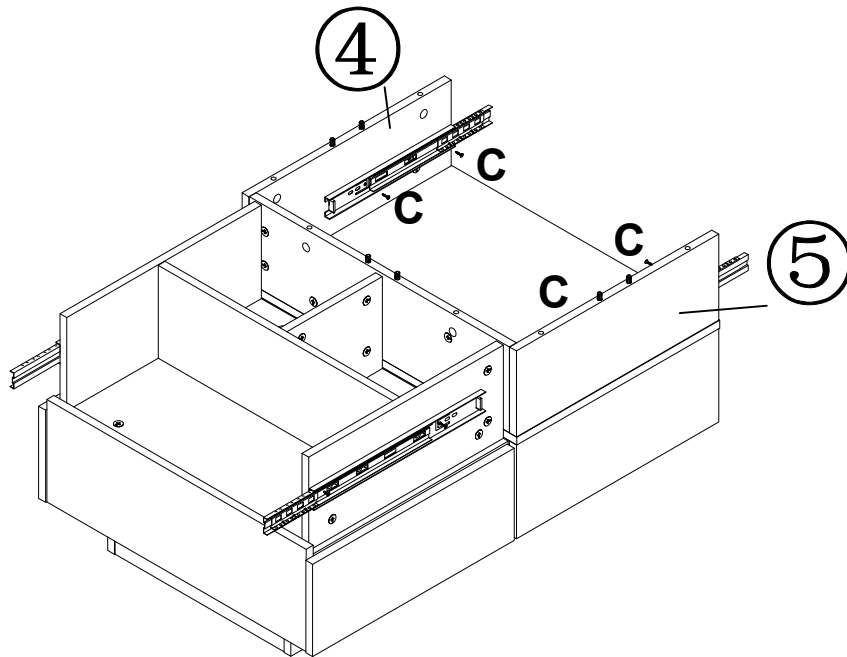
Bx6PCS

STEP23

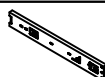


Bx10PCS

STEP24



Cx4PCS

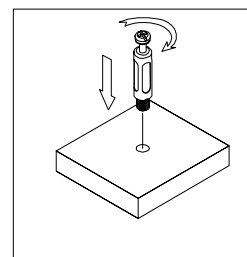
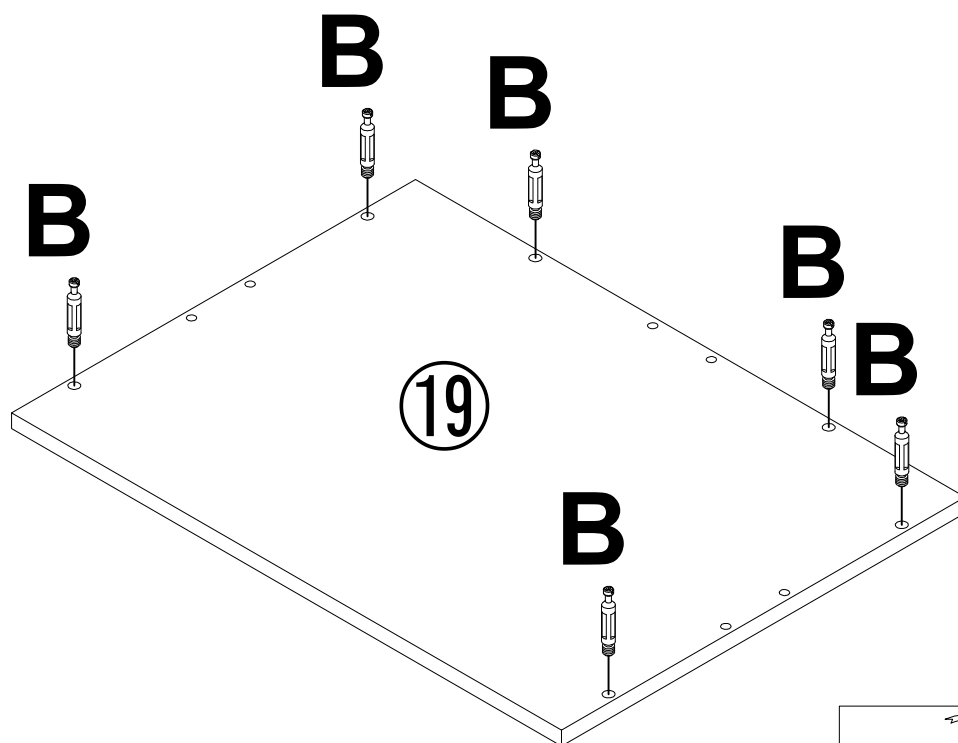


F1x2PCS

Second Hole

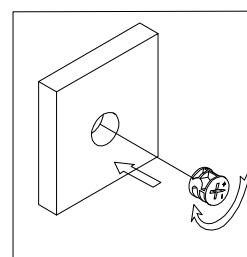
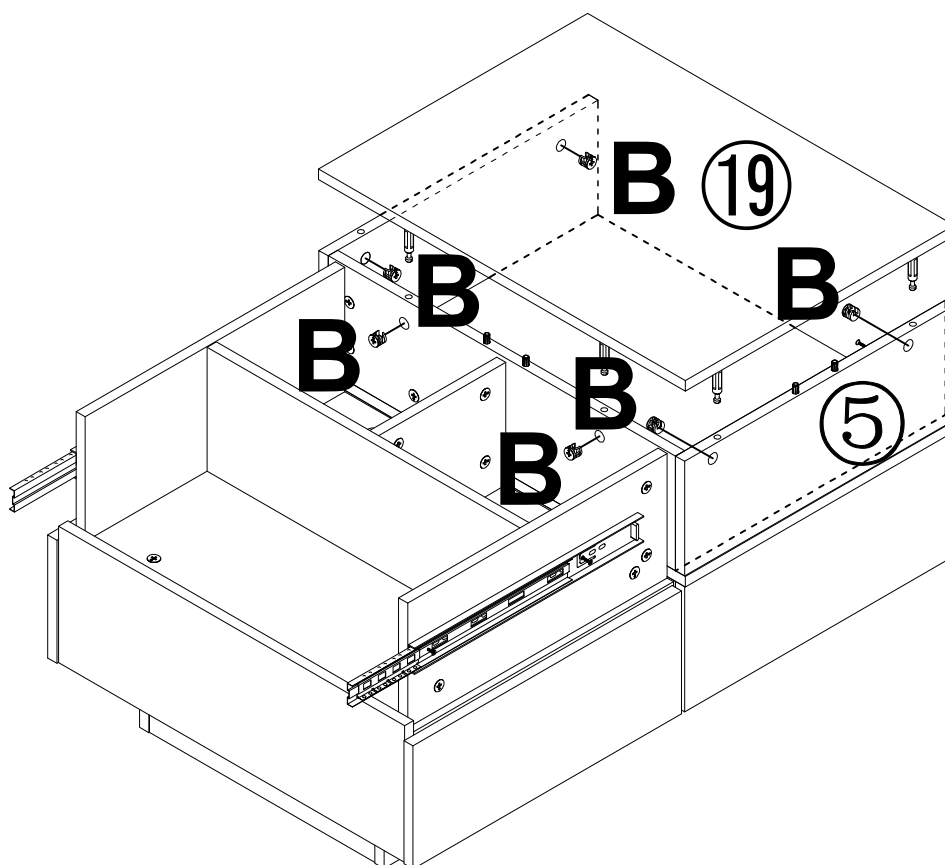
Last Third Hole

STEP25



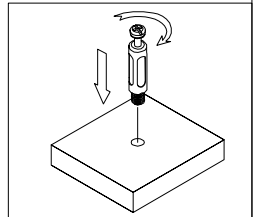
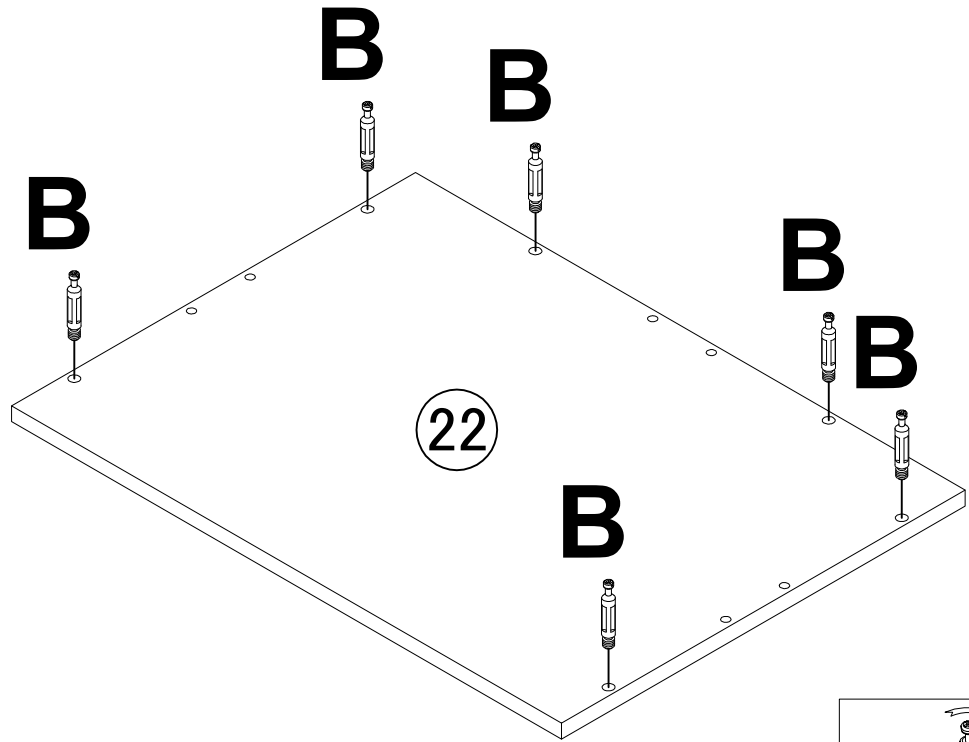
Bx6PCS

STEP26



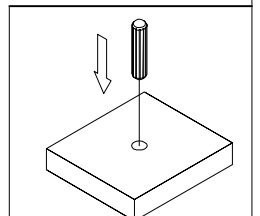
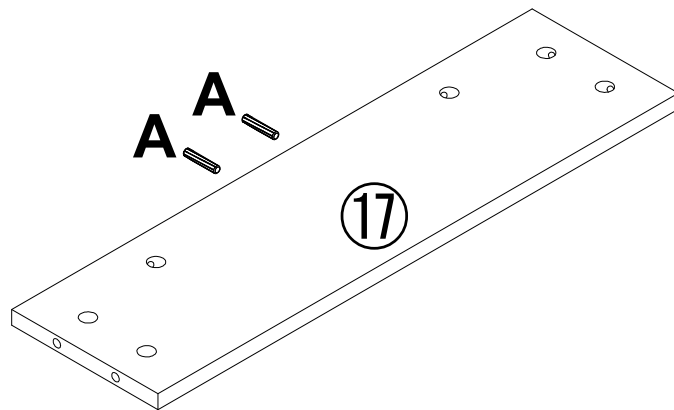
Bx6PCS

STEP27



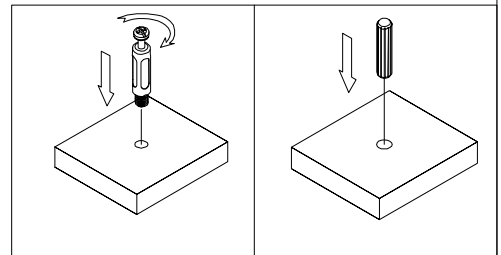
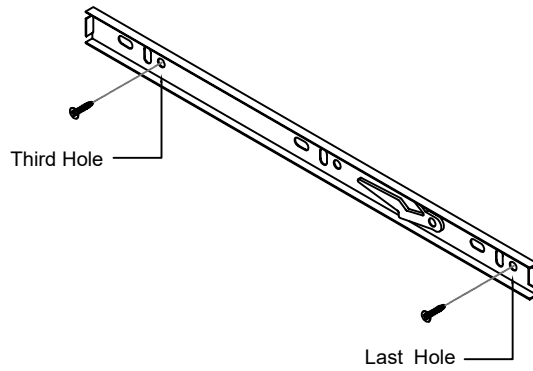
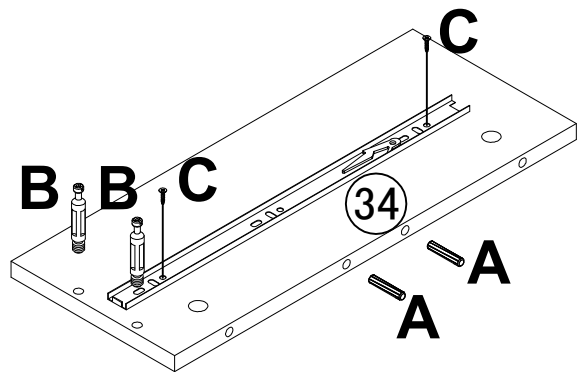
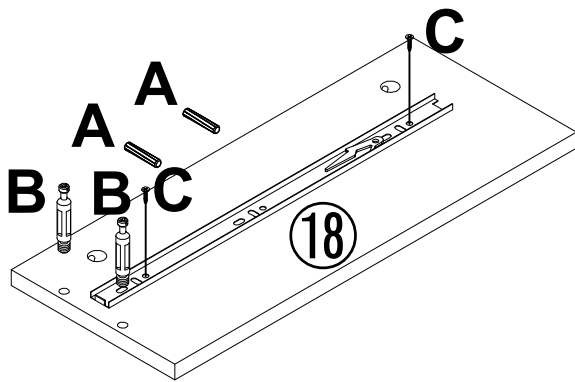
Bx6PCS

STEP28



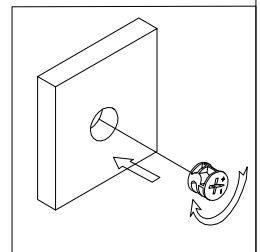
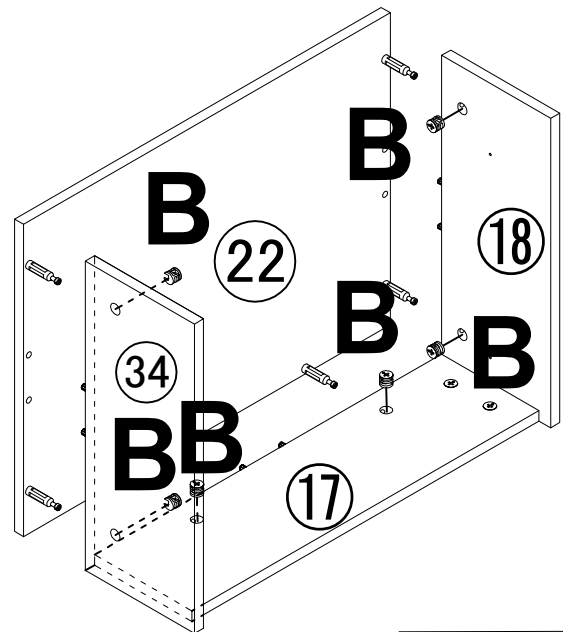
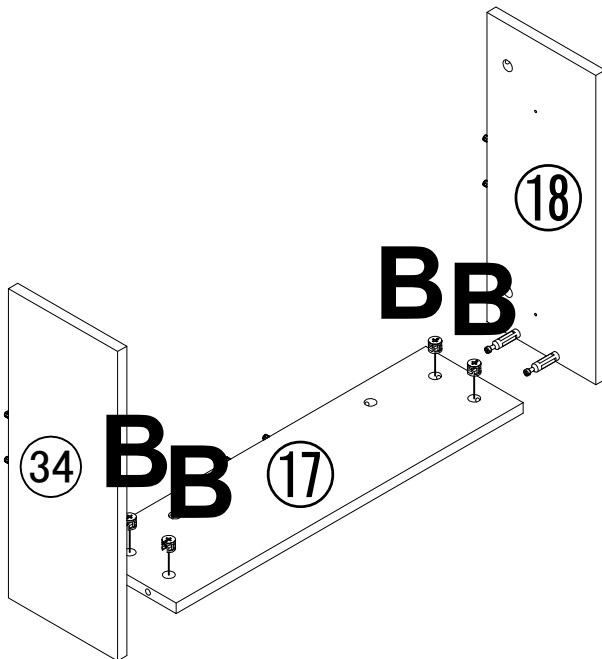
Ax2PCS

STEP29



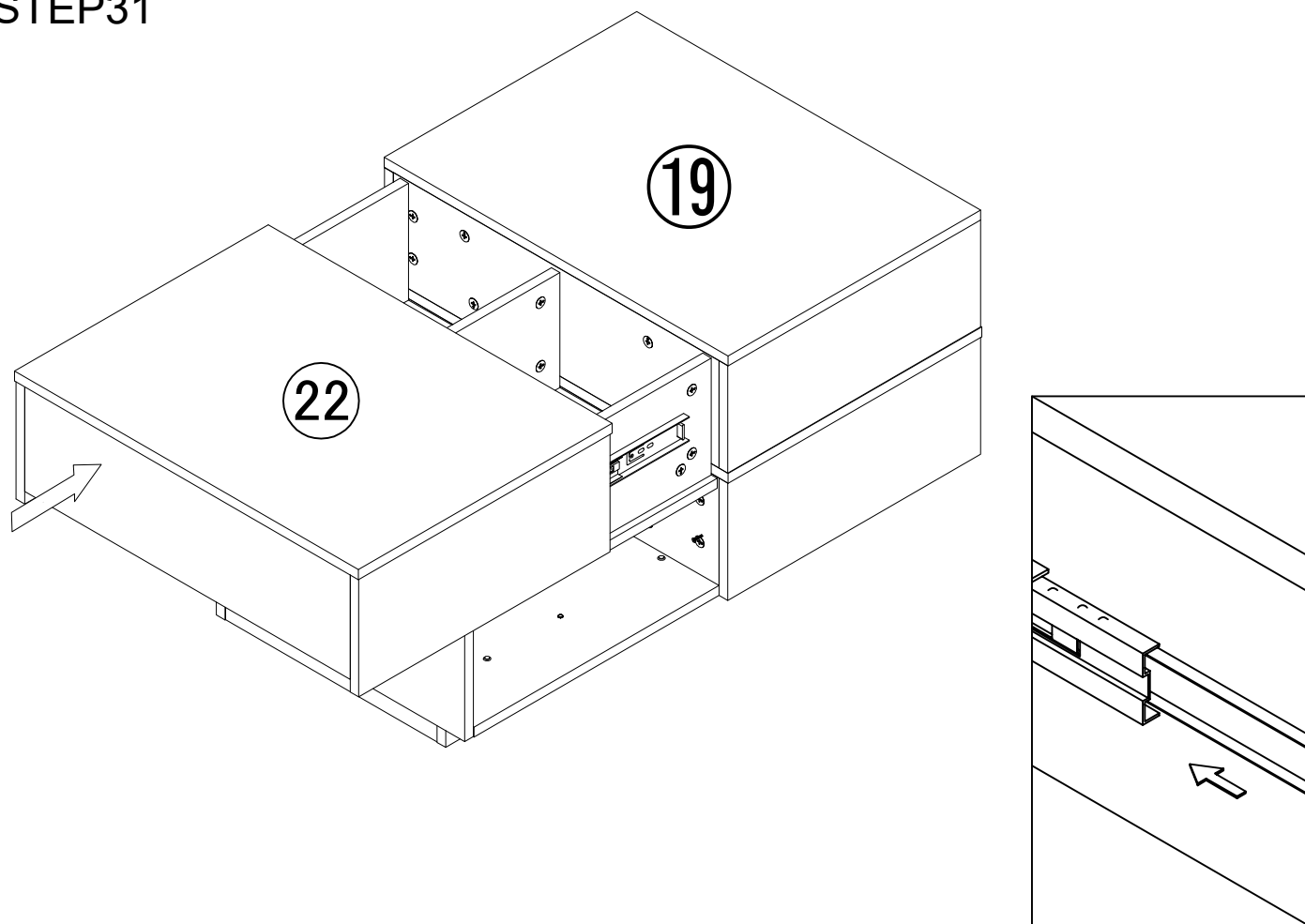
	Ax4PCS
	Bx4PCS
	Cx4PCS
	G2x2PCS

STEP30

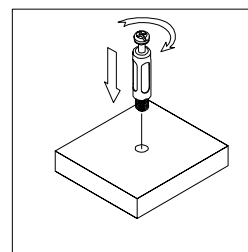
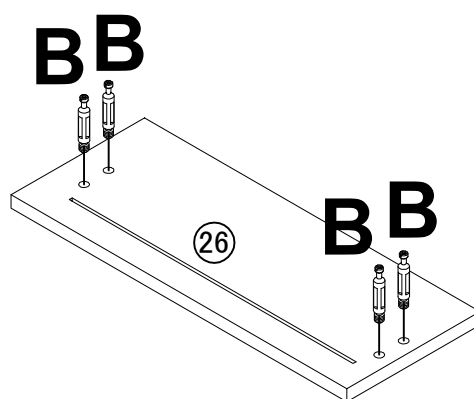
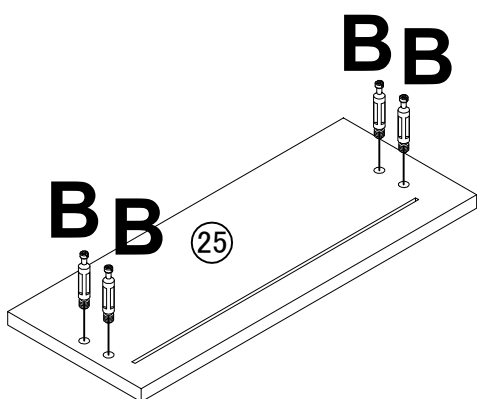


	Bx10PCS
--	---------

STEP31

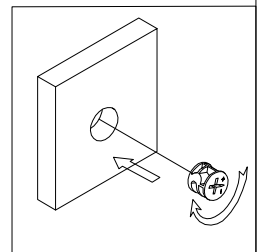
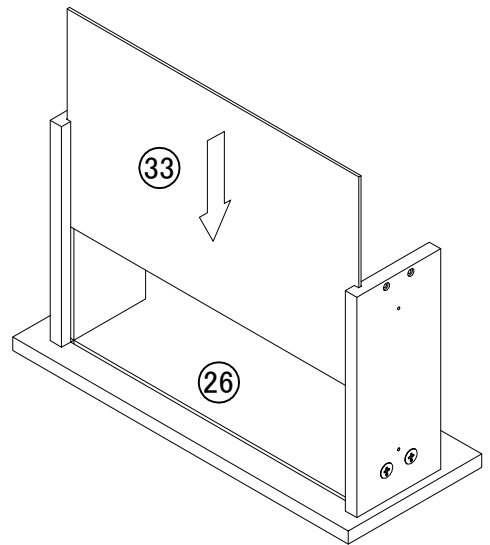
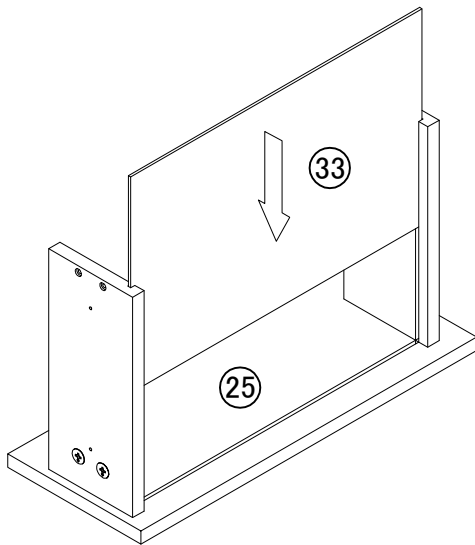
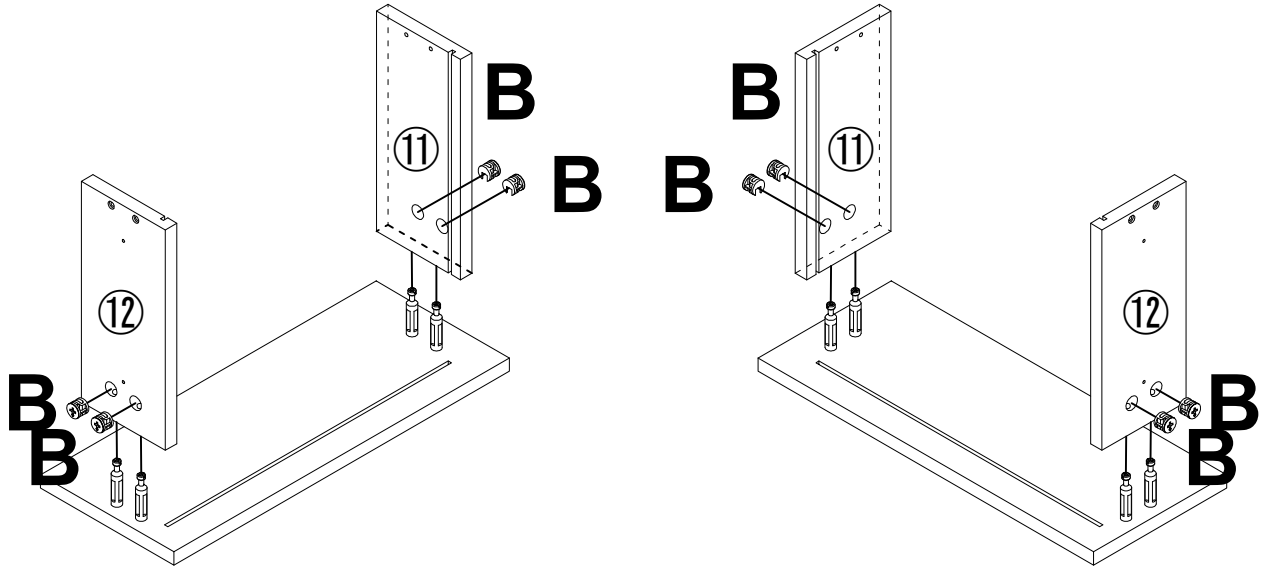


STEP32



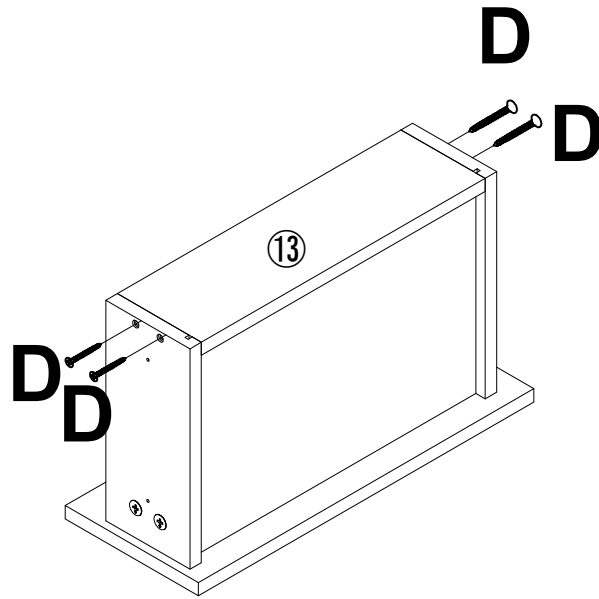
Bx8PCS

STEP33

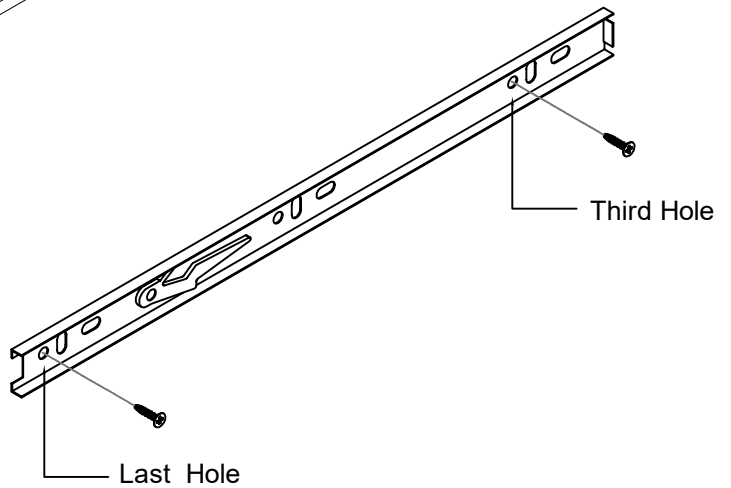
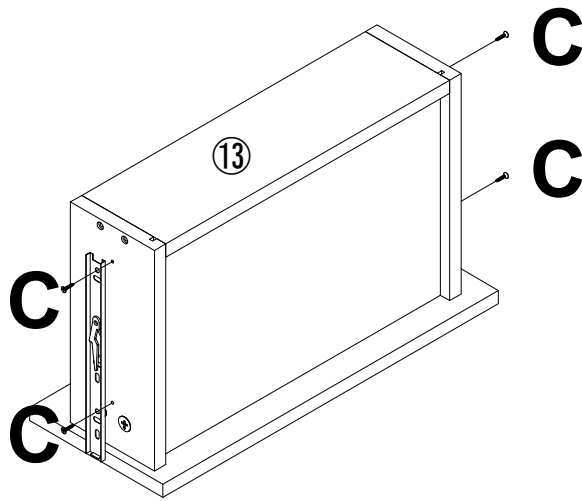





Bx8PCS

STEP34

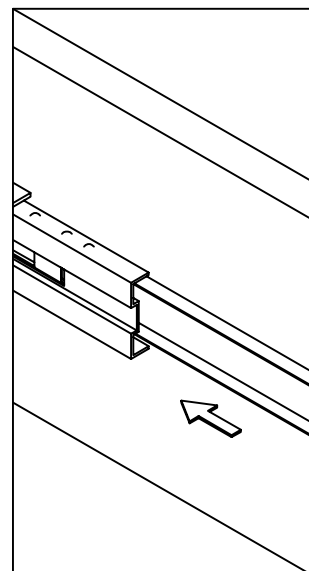
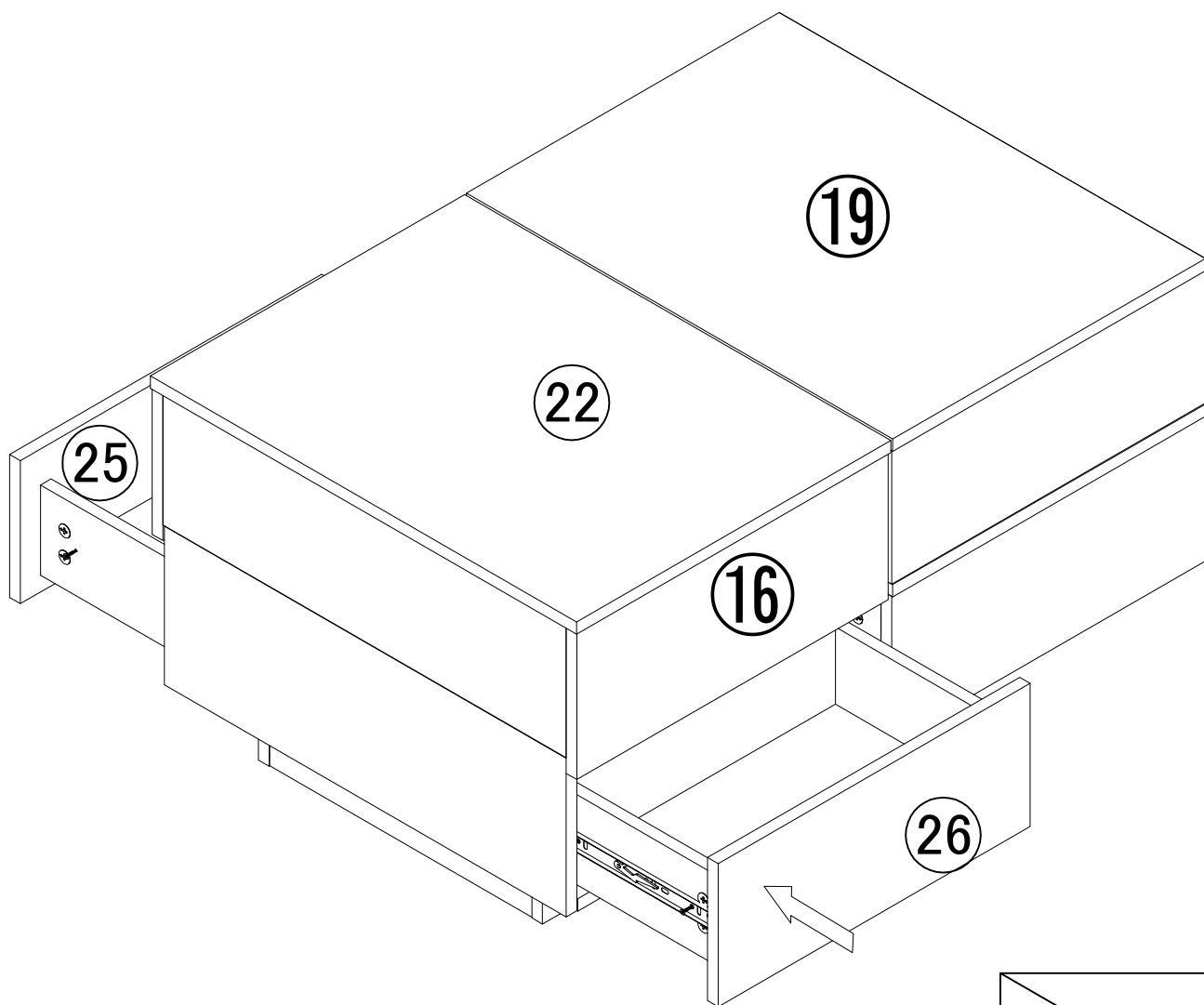


X2

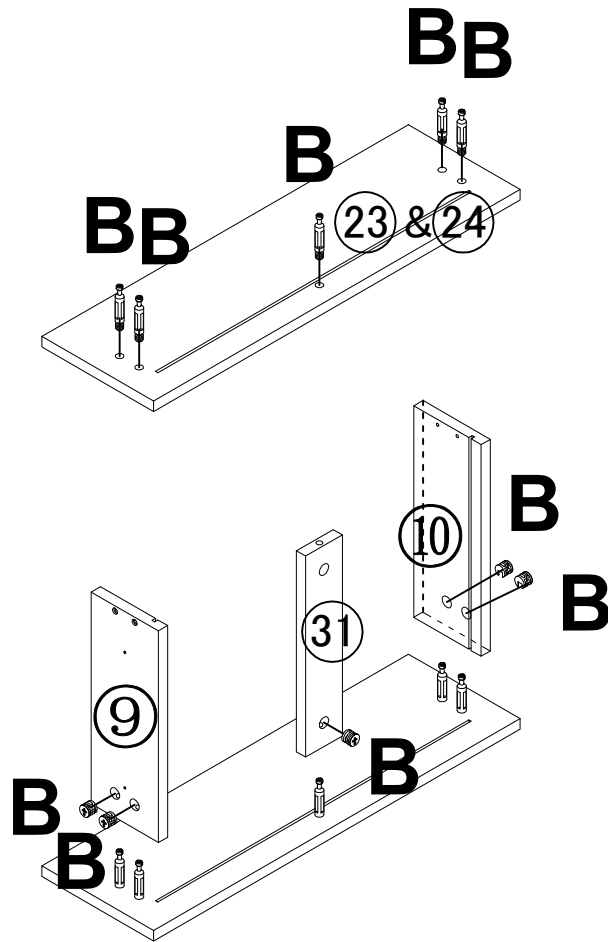


	Cx8PCS
	Dx8PCS
	E2x4PCS

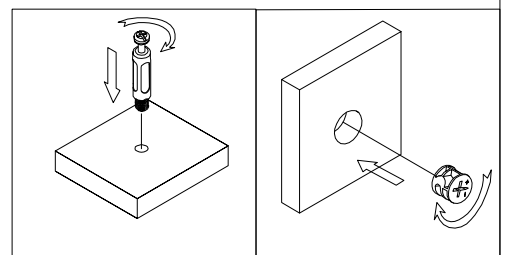
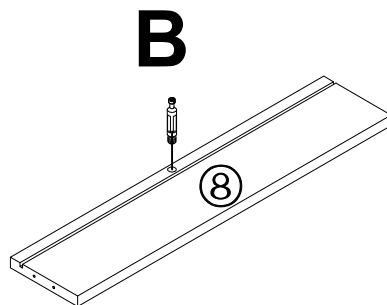
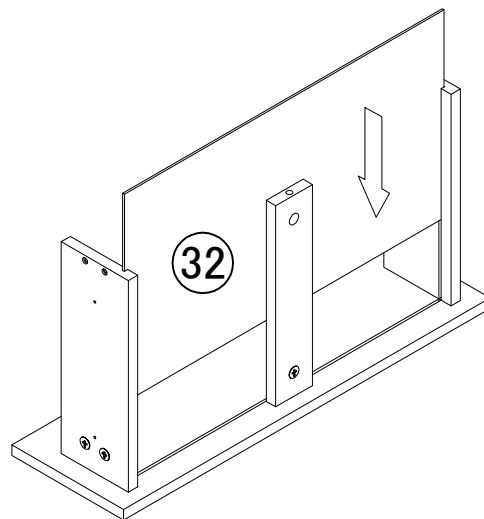
STEP35





STEP36



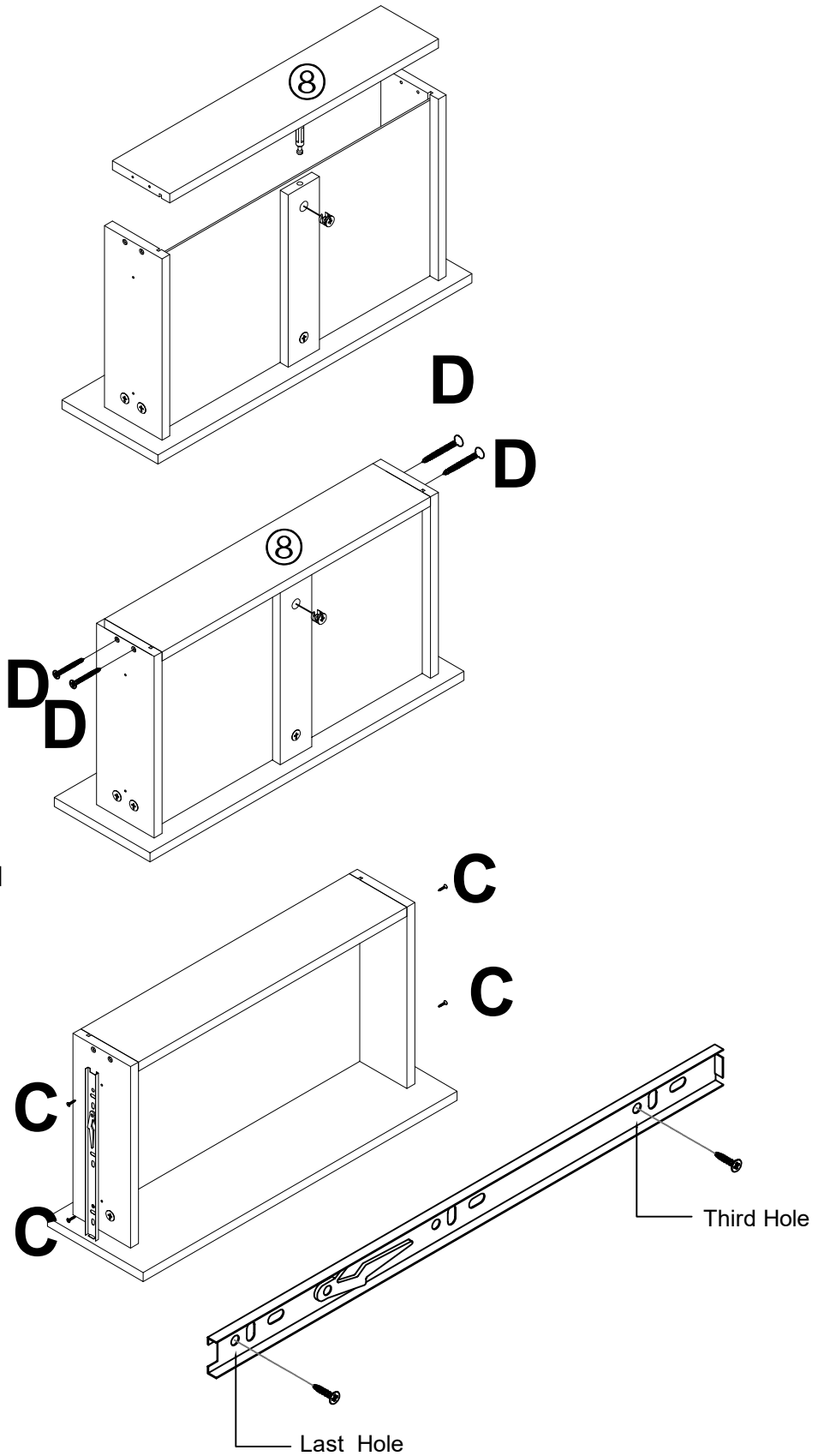
X2







	Bx12PCS
	Bx10PCS

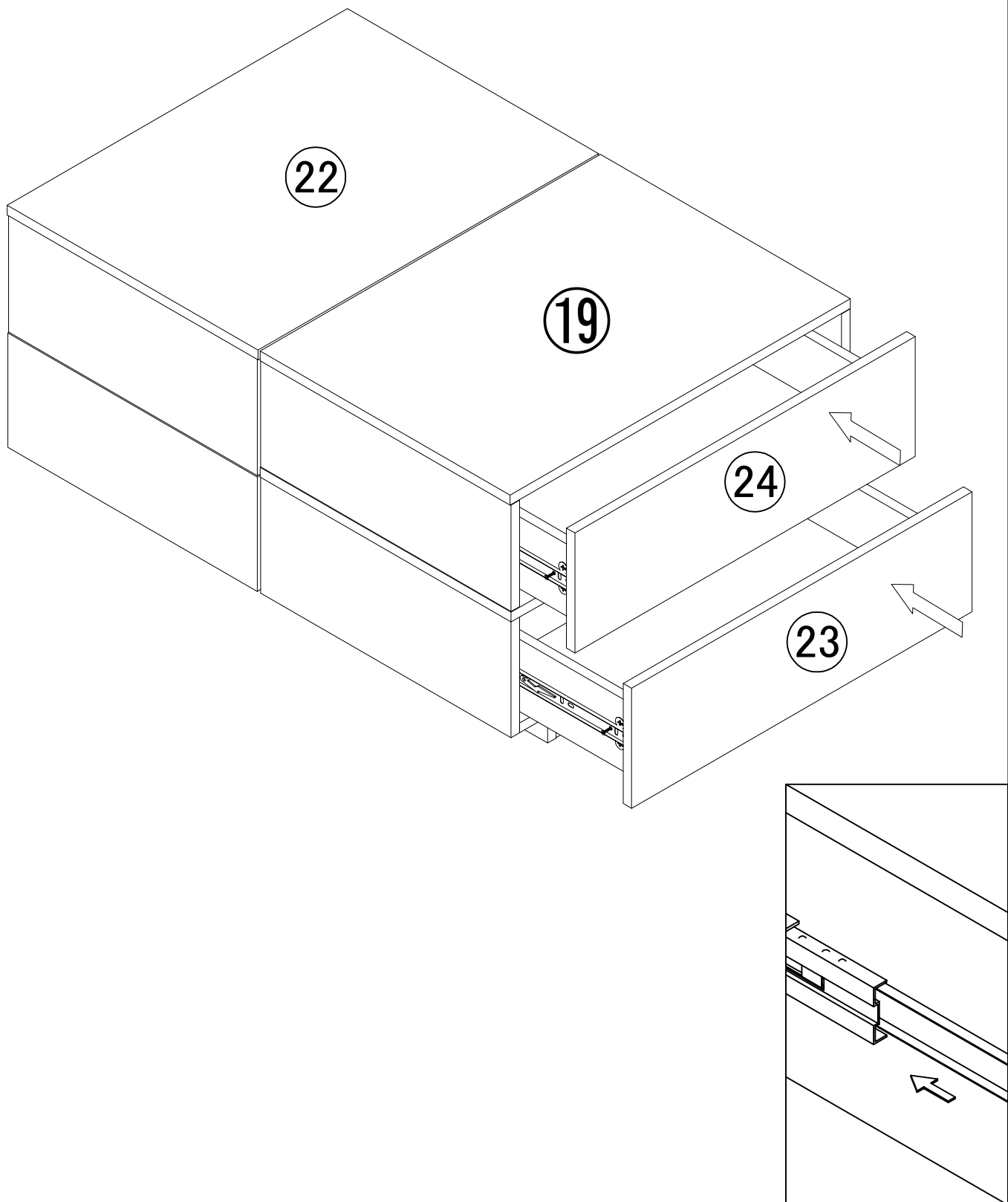
STEP37

X2

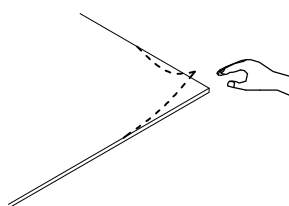


	Bx2PCS
	Cx8PCS
	Dx8PCS
	F2x4PCS

STEP38



Please Note,after finish assembly ,please remove the protect plastic film on board which have the sticker.



NOTE: Please remove protective plastic film after finishing assemble.

