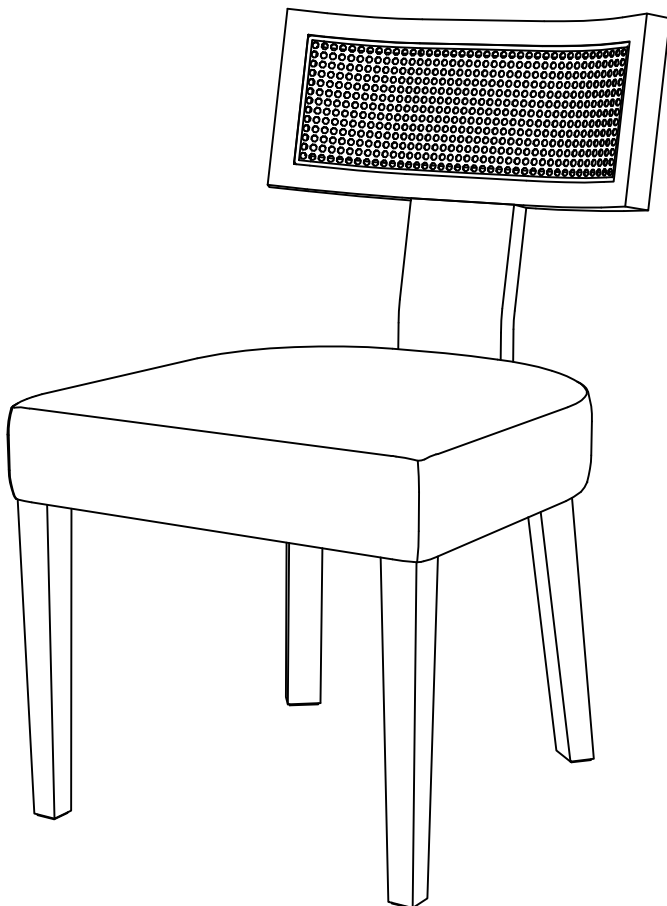
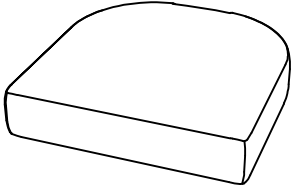
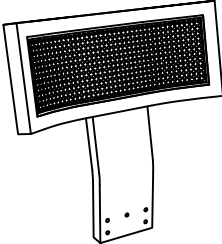
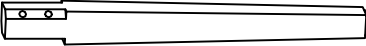
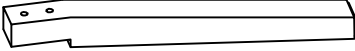


ASSEMBLY INSTRUCTION






Dining chair



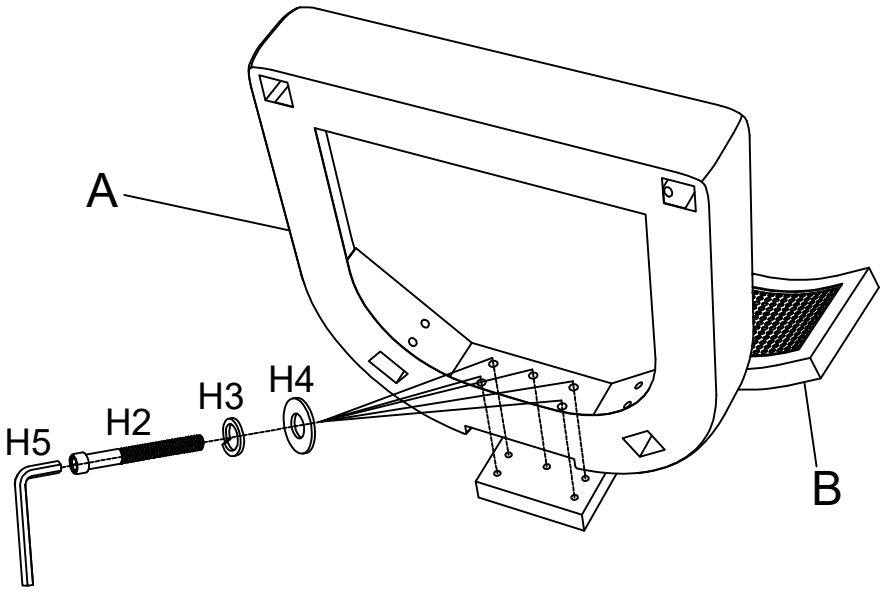
Component List

LABEL		DESCRIPTION	QTY
A		Seat	1
B		Back	1
C		Front leg	2
D		Back leg	2

Hardware List

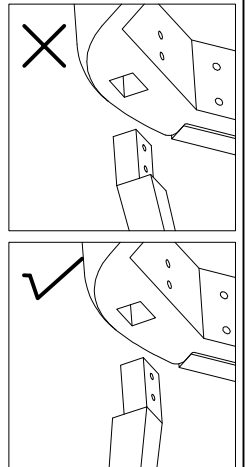
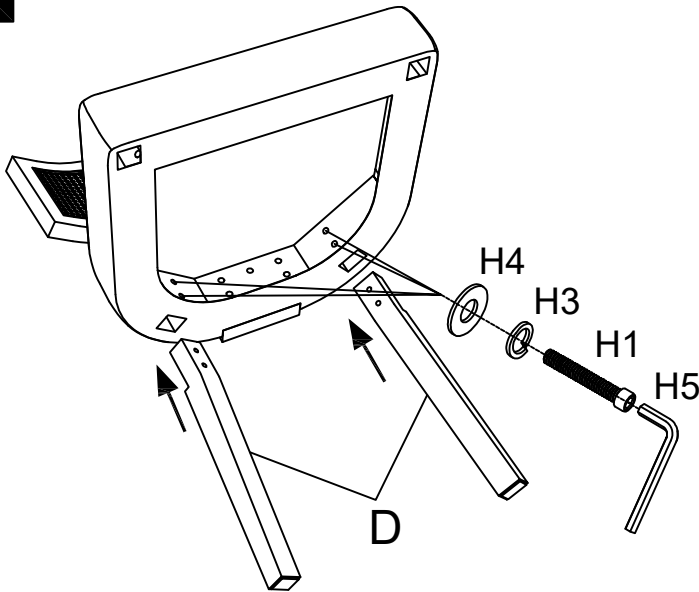
LABEL		DESCRIPTION	QTY
H1		Bolts M8×50mm	4
H2		Bolts M8×70mm	9
H3		Spring washer M8	13
H4		Flat washer M8×22×1.5mm	13
H5		Allen key M8	1

1



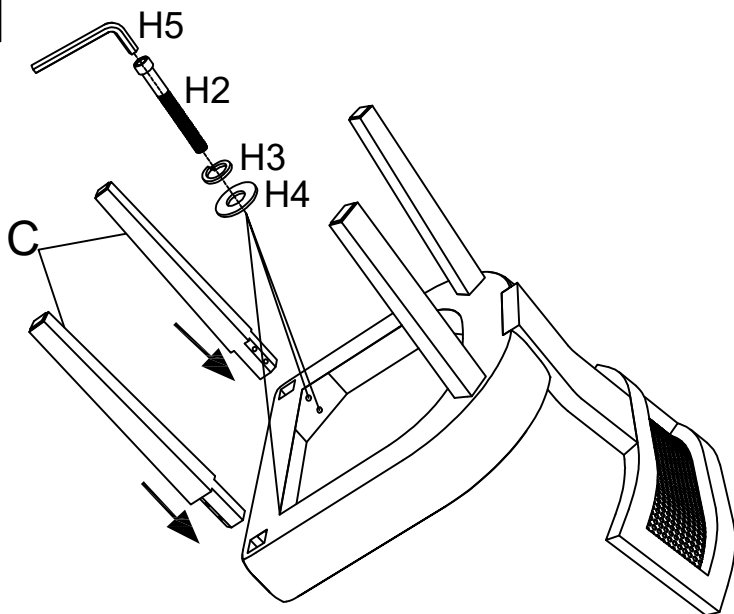
Tighten the bolts to 80% tightness.

2



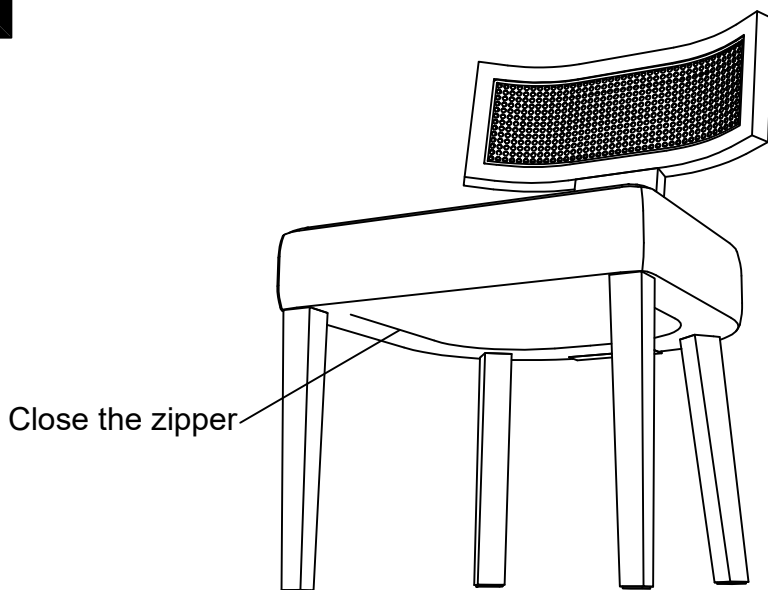
Tighten the bolts to 80% tightness.

3



Tighten the bolts to 80% tightness.

4



Adjust the chair so that it is leveled, then fully tighten all the bolts.