



SPEC SHEET

KoolMore 36 in. Commercial Outdoor Propane Grill With Pizza Oven in Stainless-Steel

Model: CGKIT3-36P

FEATURES

- Commercial Precision: High-performance grilling for outdoor kitchens.
- Durable Construction: 13-gauge 304 stainless steel resists rust and corrosion.
- Powerful Burners: Five 16,000 BTU burners, spaced 5.75" apart, for even heat.
- Quick Start-Up: Reaches cooking temp in 5 minutes.
- Spacious Cooking Area: 688 sq. in. for multiple dishes.
- Piezo Ignition: Reliable, hassle-free startups.
- Mobility: Large casters for easy movement.
- Accessories Included: 2 grates, propane hose, and side handle.
- Assembly Required: Straightforward setup with all parts included.
- Pizza Oven Attachment: 36" 16-gauge 304 stainless steel, fits 3 pizza stones, heats in 10 minutes, with dial thermometer.
- ETL Certified & Warranty: Meets safety standards with a 1-year parts/labor warranty



CLOSE UP IMAGES



TECHNICAL SPECS

Dimensions

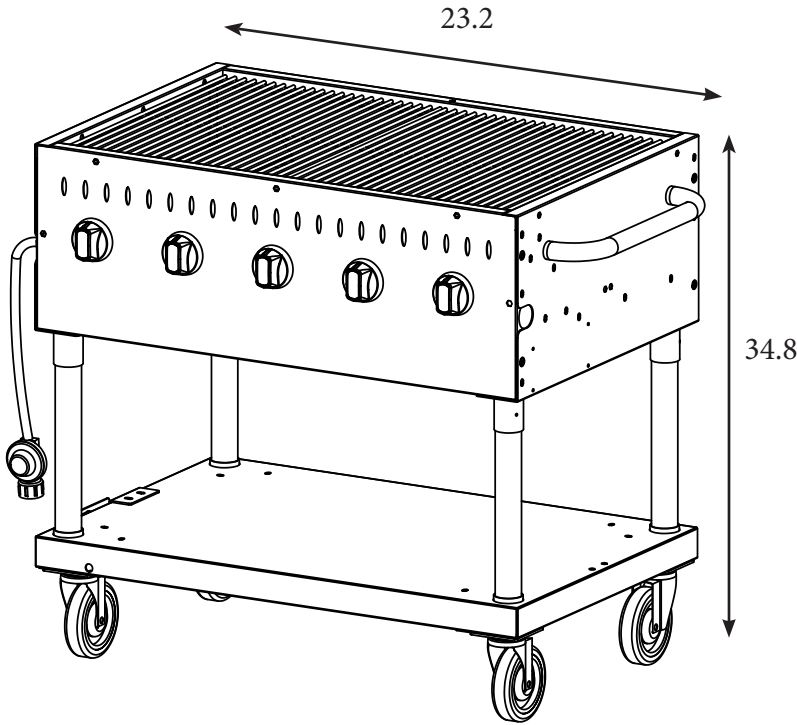
Length	35.8
Width	23.22
Grill Height	34.8
Assembled Height	46.2
Weight lbs	180

Features & Materials

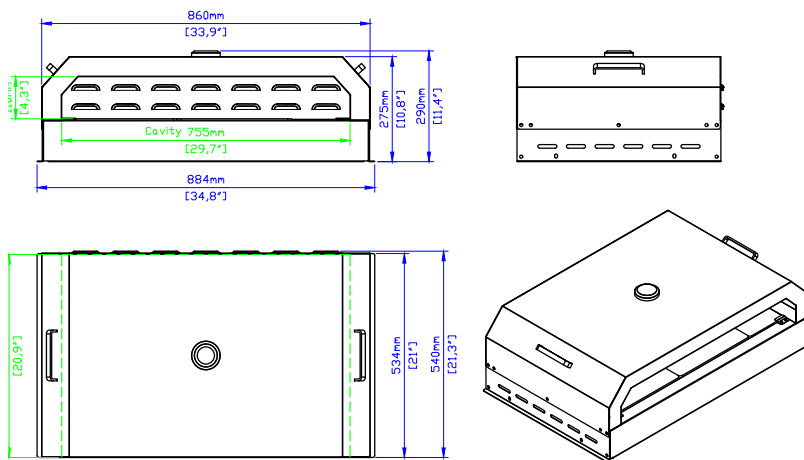
Assembly Required	Yes
Burner Grate Material	Stainless-Steel
Number Of Burners	5
Fuel Type	LP
Casters	4
Ignition Type	Pizeo
Certifications	ETL Listed

Plan View

Grill



Pizza Oven



CERTIFICATIONS



706 Eastern Parkway STE 1G, Brooklyn NY 11213
718-576-6342
info@koolmore.com