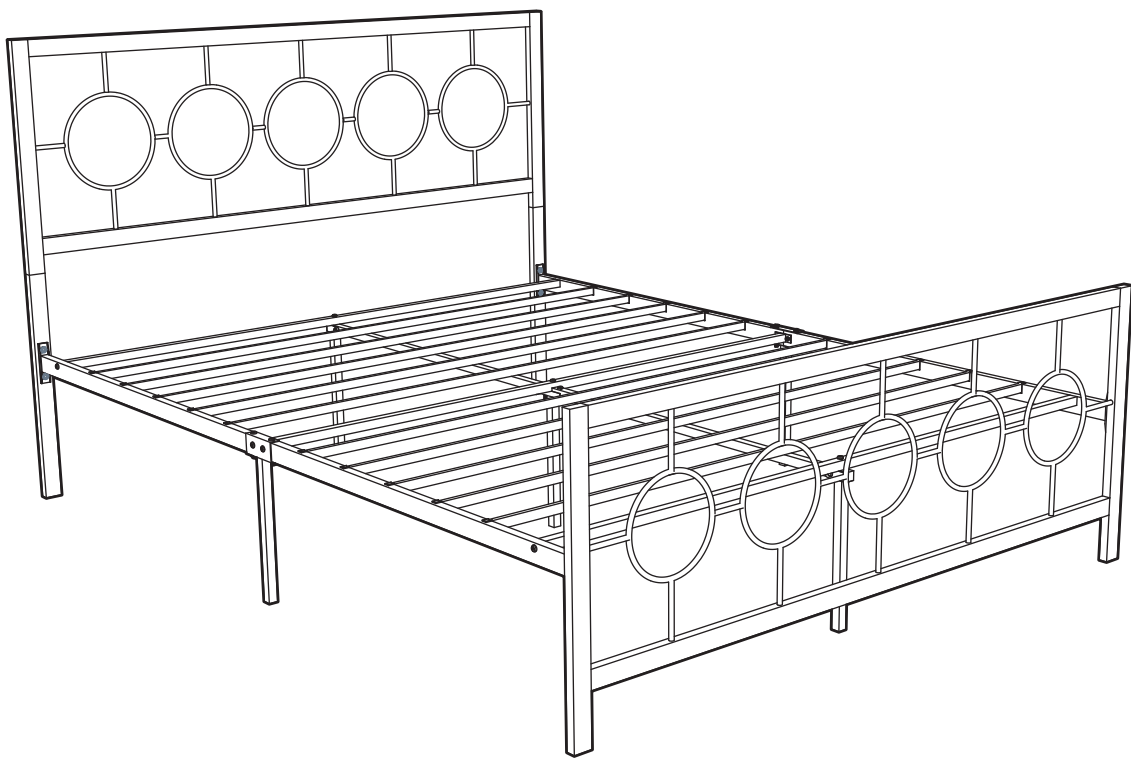
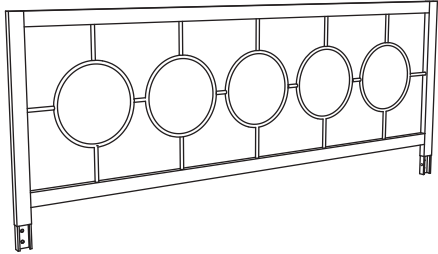
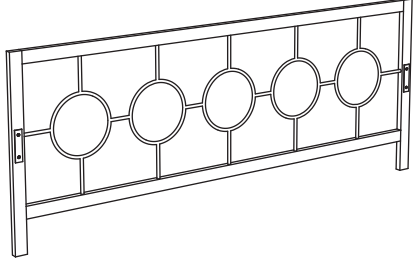
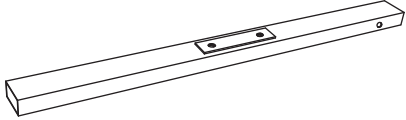
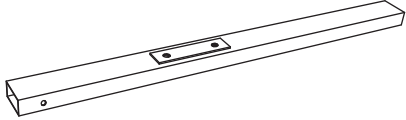

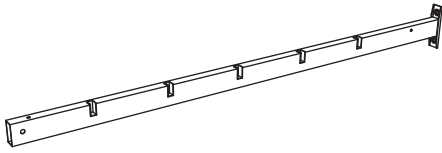
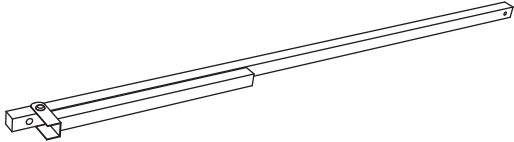
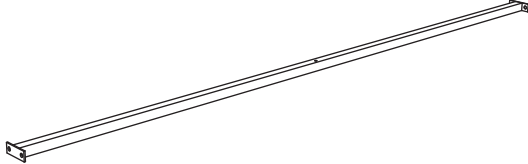

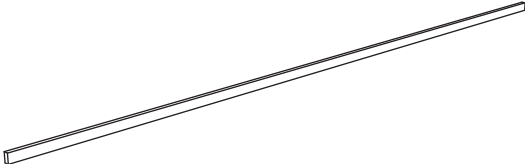


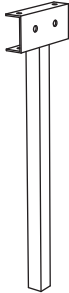
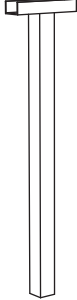
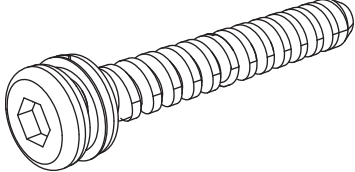
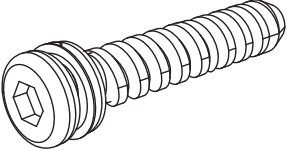
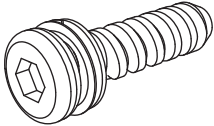
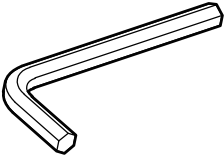
METAL BED

ORIGINAL INSTRUCTION MANUAL

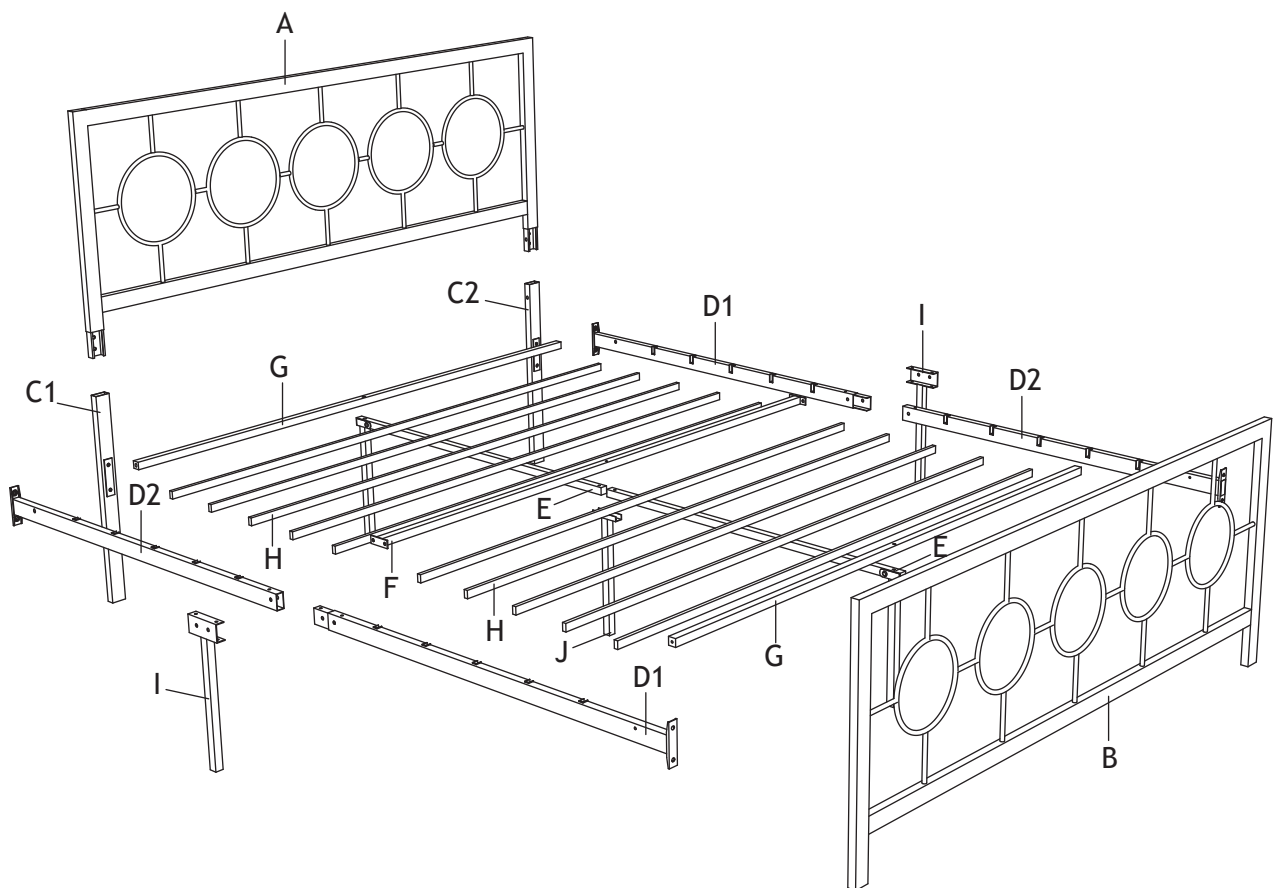


PARTS LIST

A  1×	B  1×
C1  1×	C2  1×
D1  2×	D2  2×
E  2×	F  1×
G  2×	H  10×

I  2×	J  1×	K1  M8×55 7×
K2  M8×35 10×	K3  M8×15 14×	K4  1×

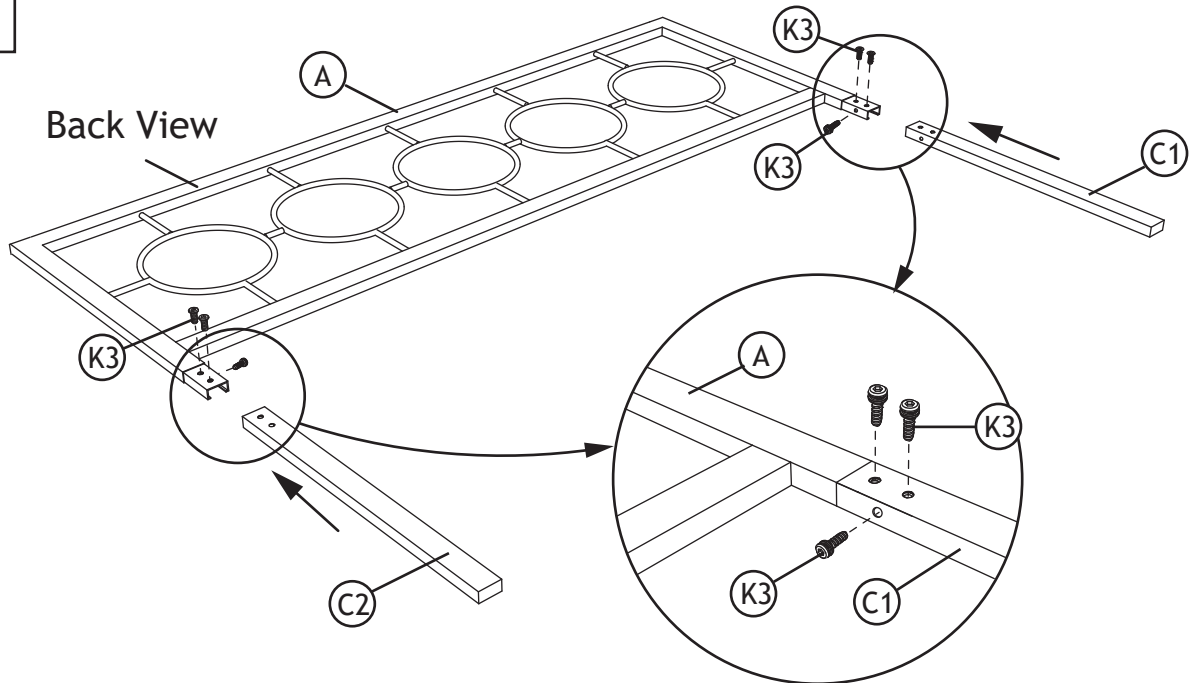
EXPLOSION VIEW



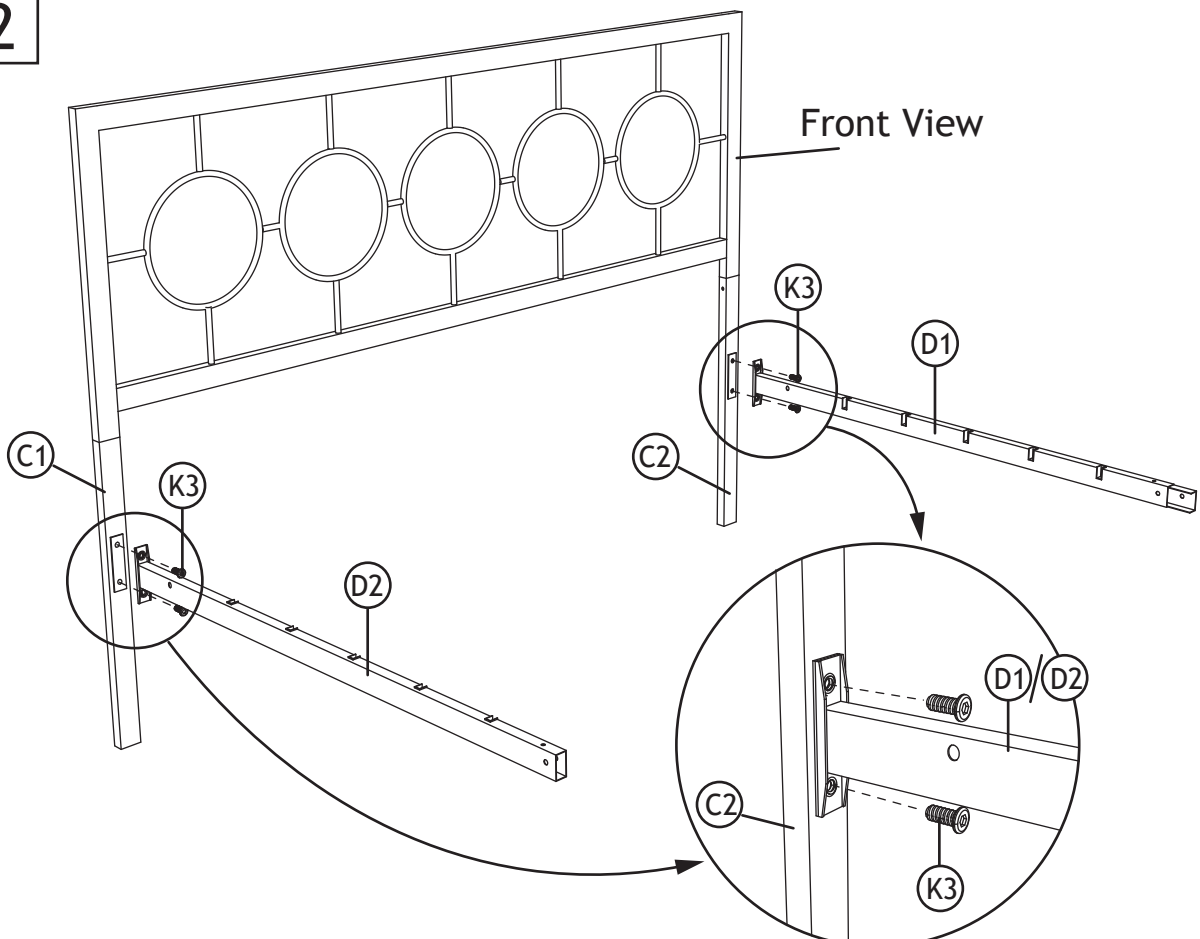
ASSEMBLY

Before your installation, please make sure that you have all the parts listed on the manual. If you find something missing, please stop assembling and contact your supplier immediately.

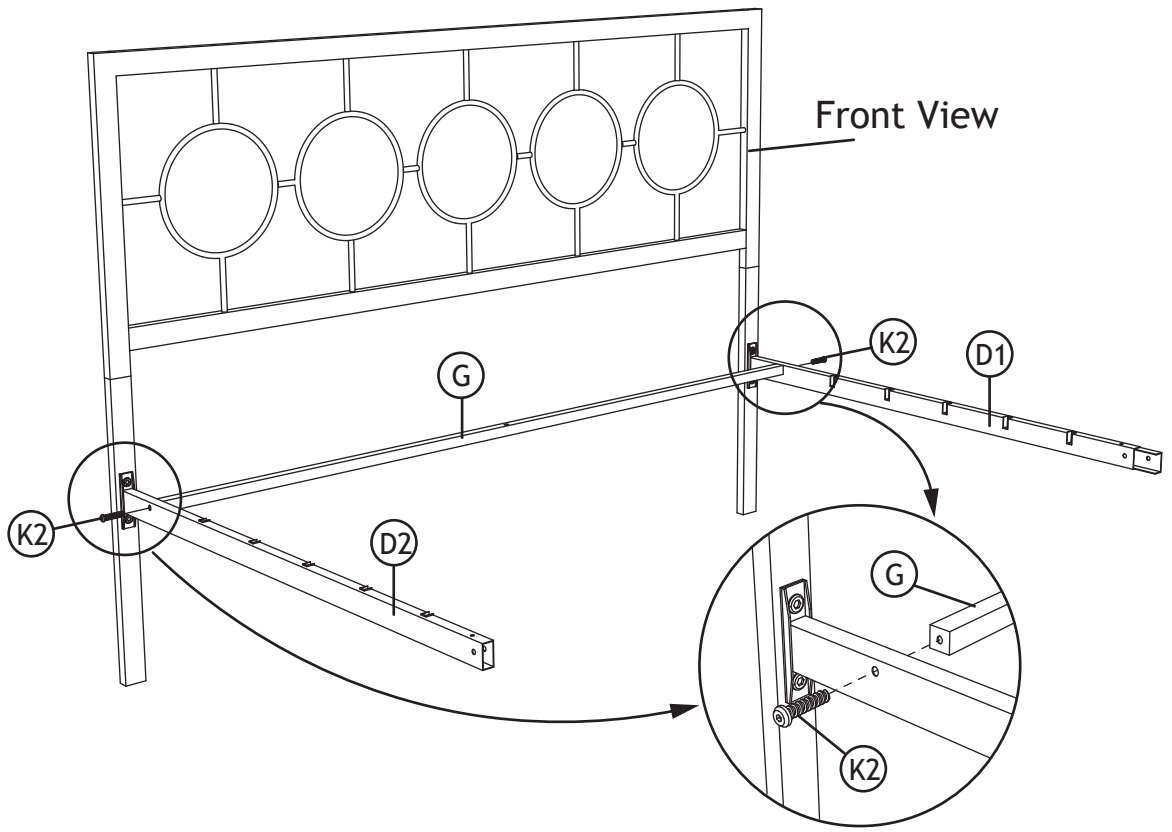
1



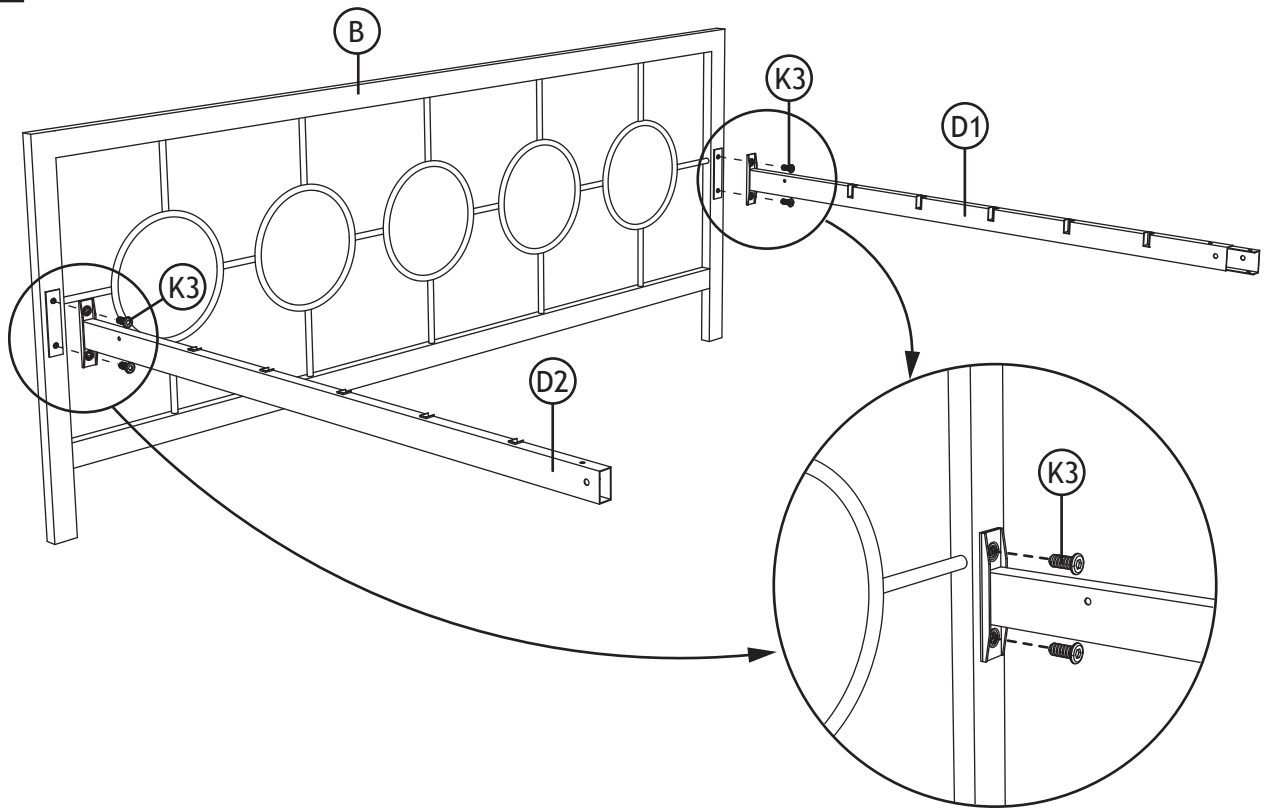
2



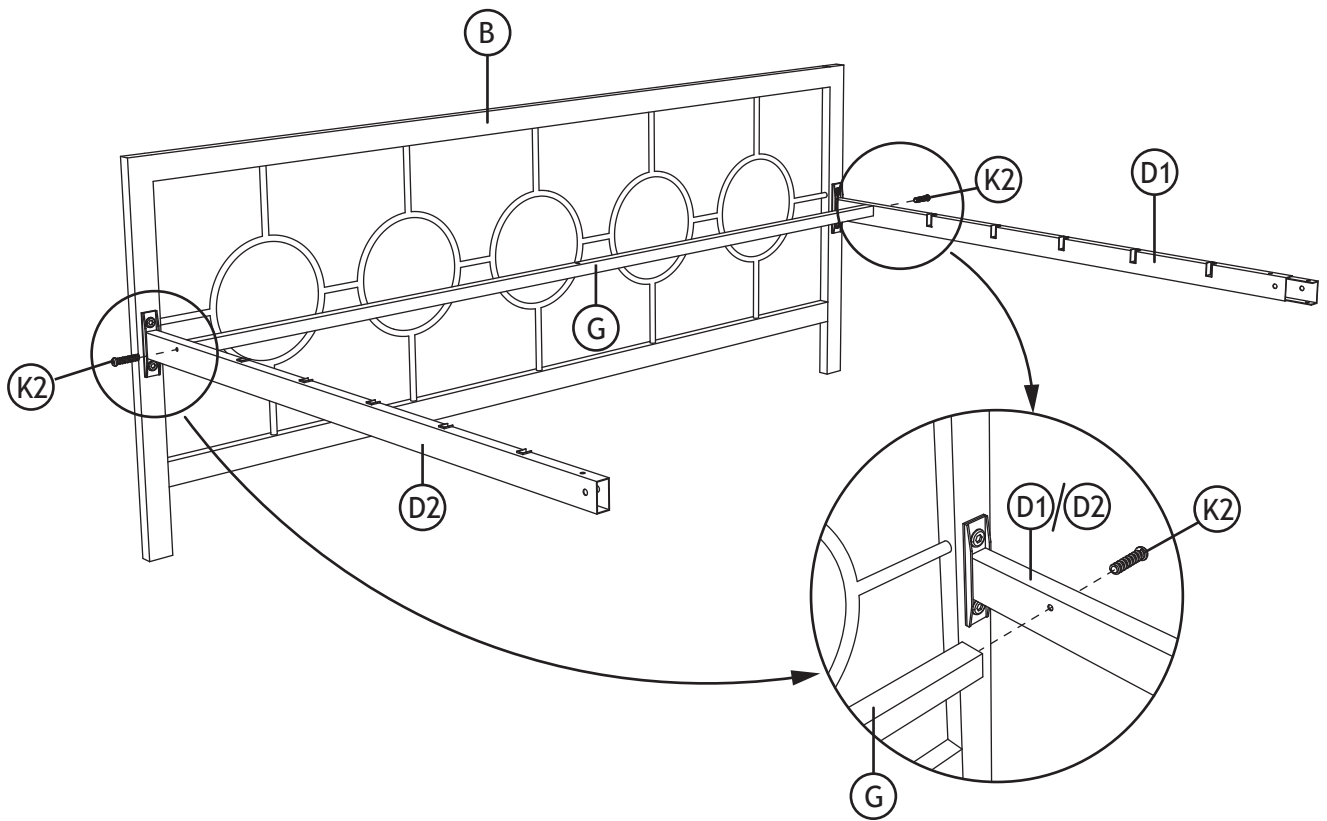
3



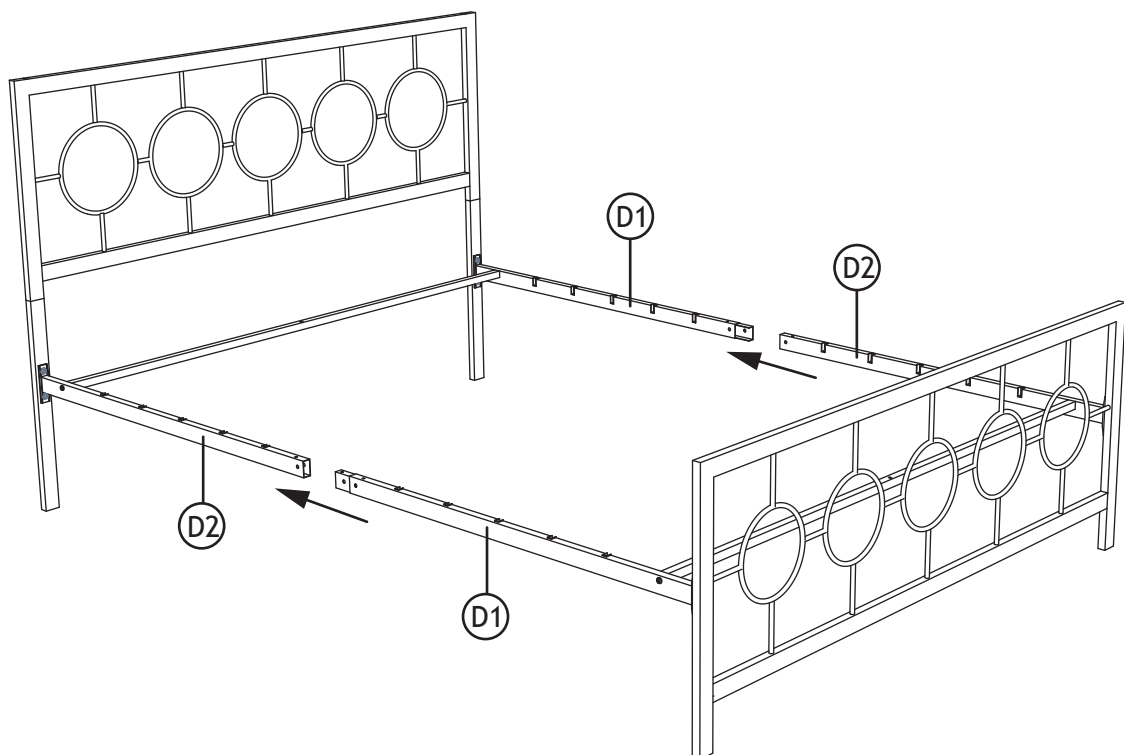
4



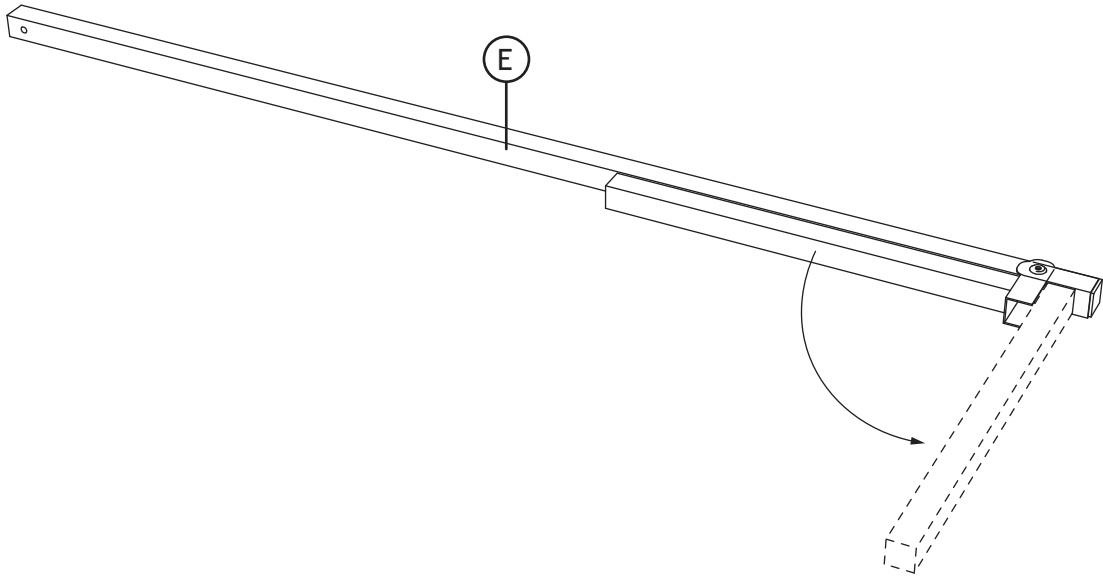
5



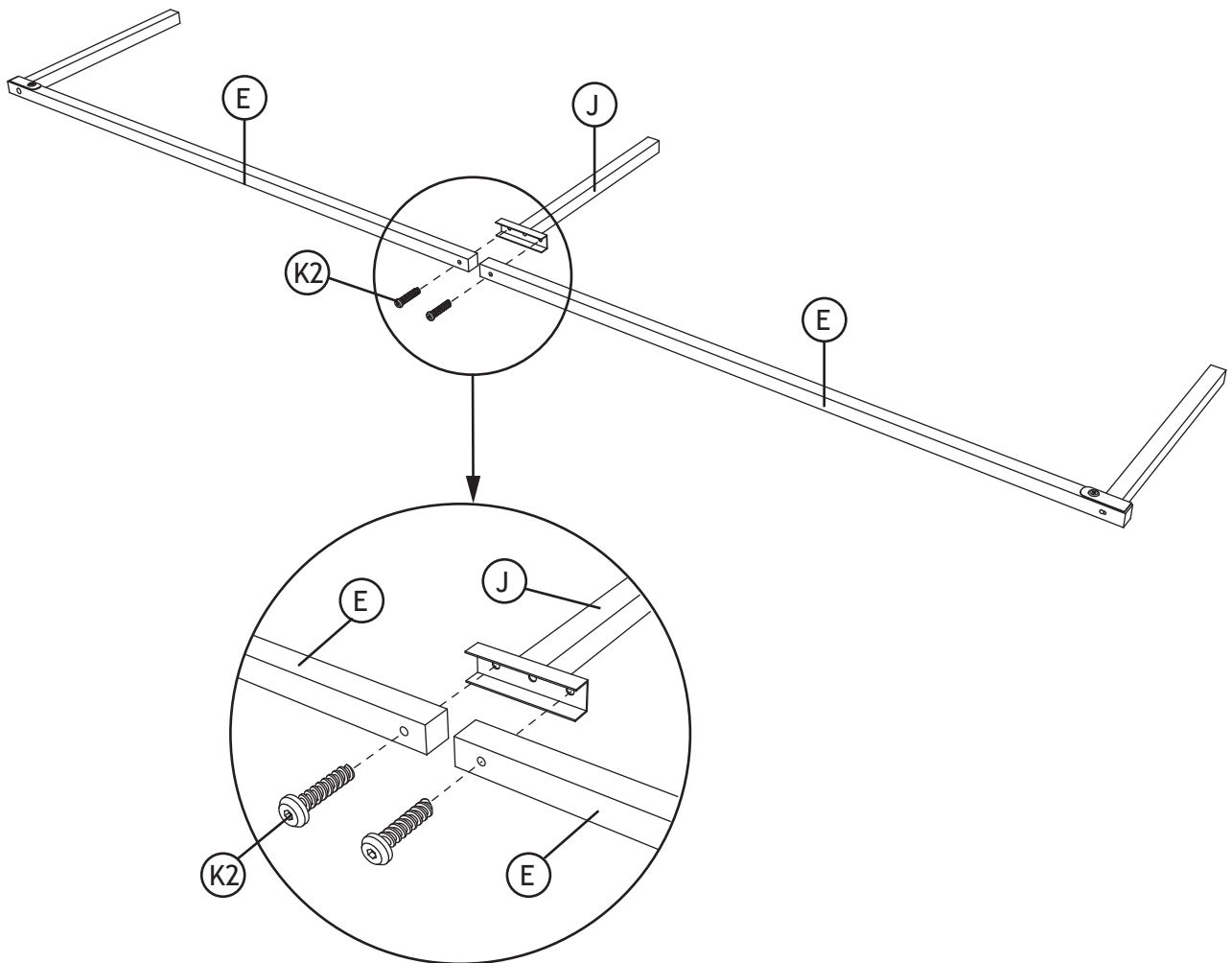
6



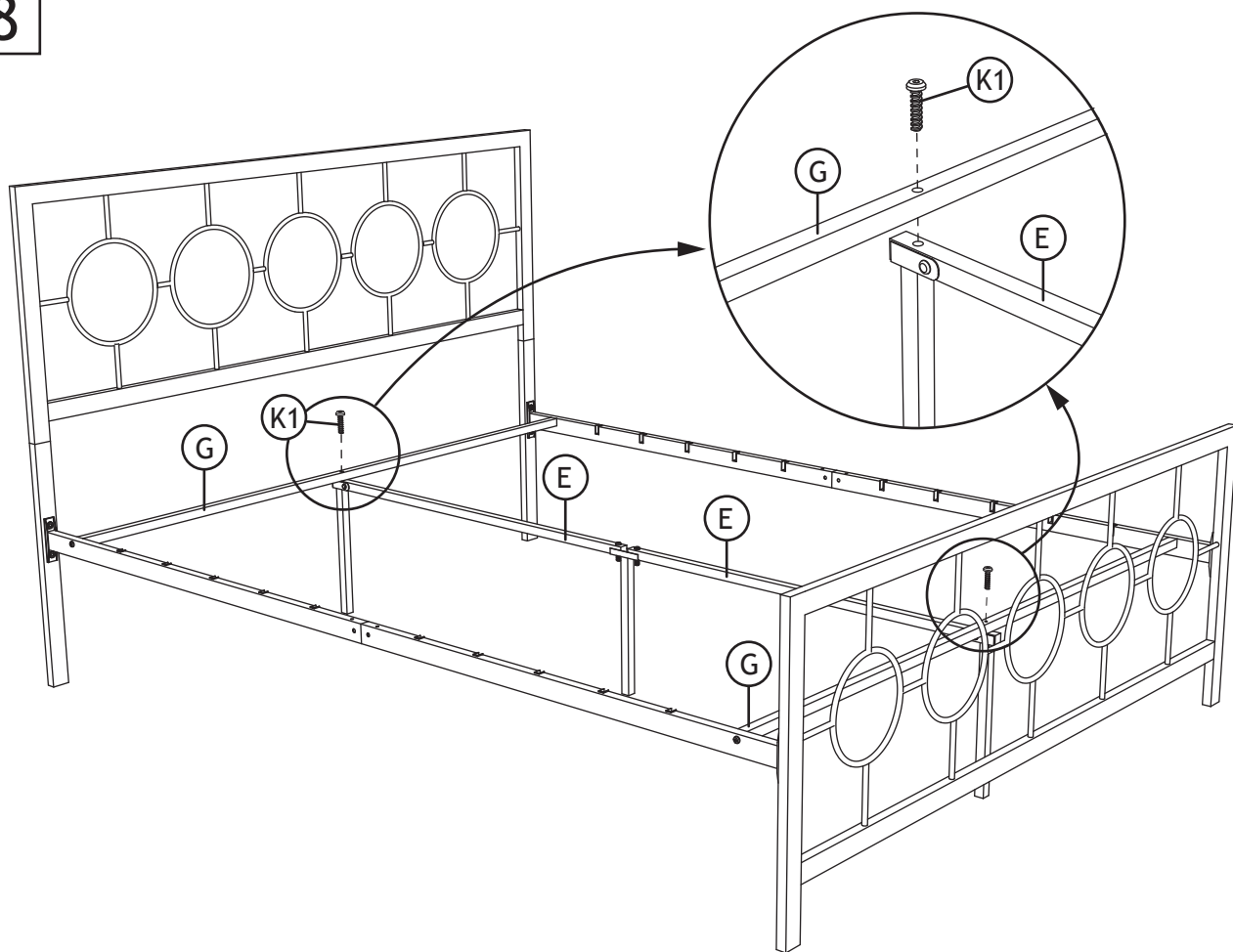
7



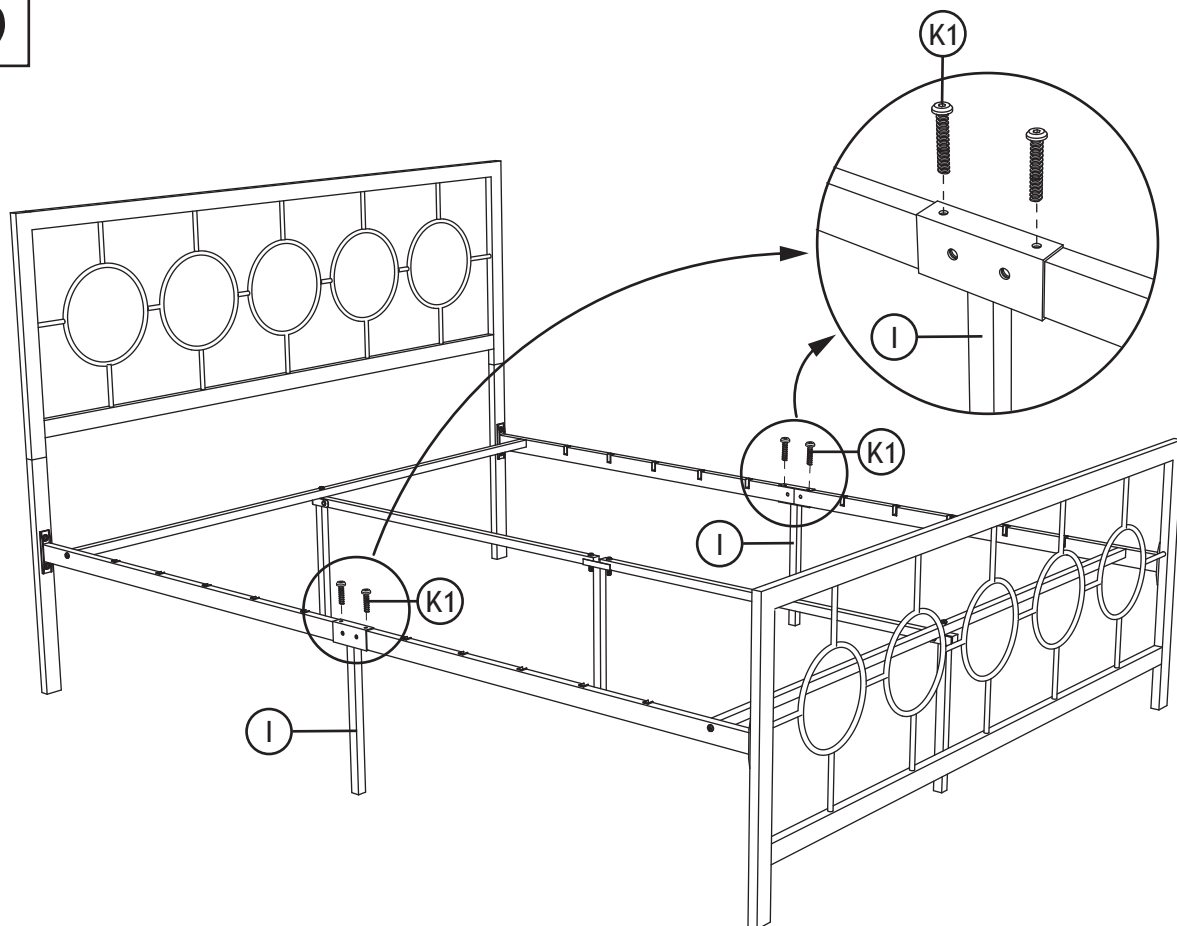
Expand Part (E) as shown above.



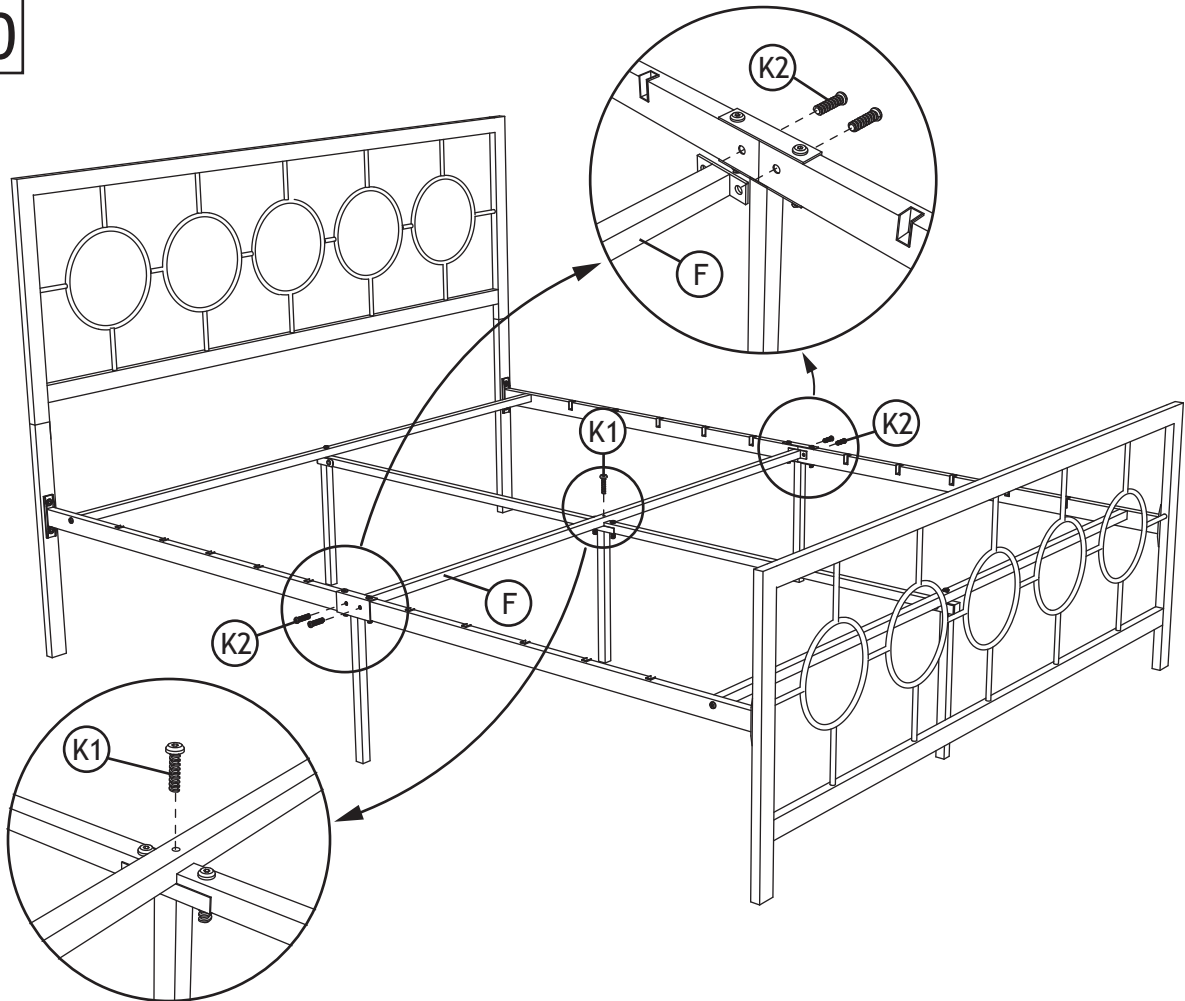
8



9



10



11

