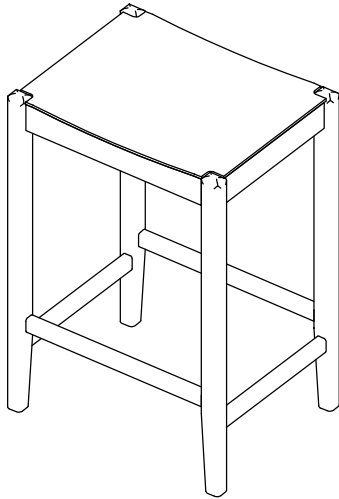


# ASSEMBLY INSTRUCTIONS

DESCRIPTION :Counter Stool



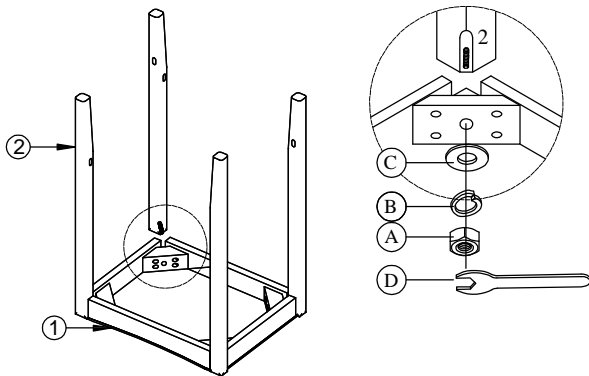
## HARDWARE LIST

NO.	SKETCH	HARDWARE	Q'TY
A		HEX NUT	4 PCS
B		LOCK WASHER	4 PCS
C		FLAT WASHER	4 PCS
D		WRENCH	1 PC
E		SCREW	8 PCS
F		NOT INCLUDING	0 PC

## PARTS LIST

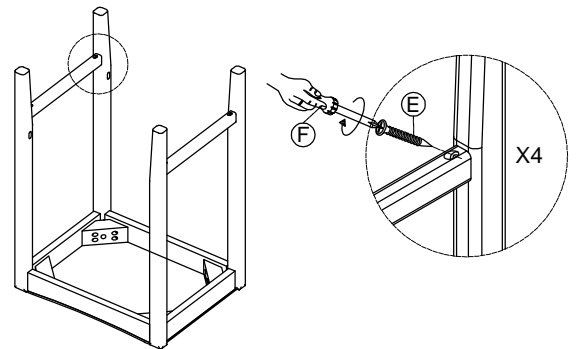
NO.	SKETCH	PARTS	Q'TY
1		SEAT FRAME	1 PC
2		CHAIR LEG	4 PCS
3		SHORT STRETCHER	2 PCS
4		LONG STRETCHER	2 PC

STEP 1

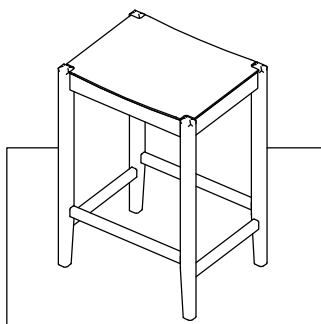


**Note:** Do not fully tighten

STEP 2



STEP 4



\*Make sure 4 legs are stable before tightening all the nuts

\*Turn and put the item on flat surface

STEP 3

