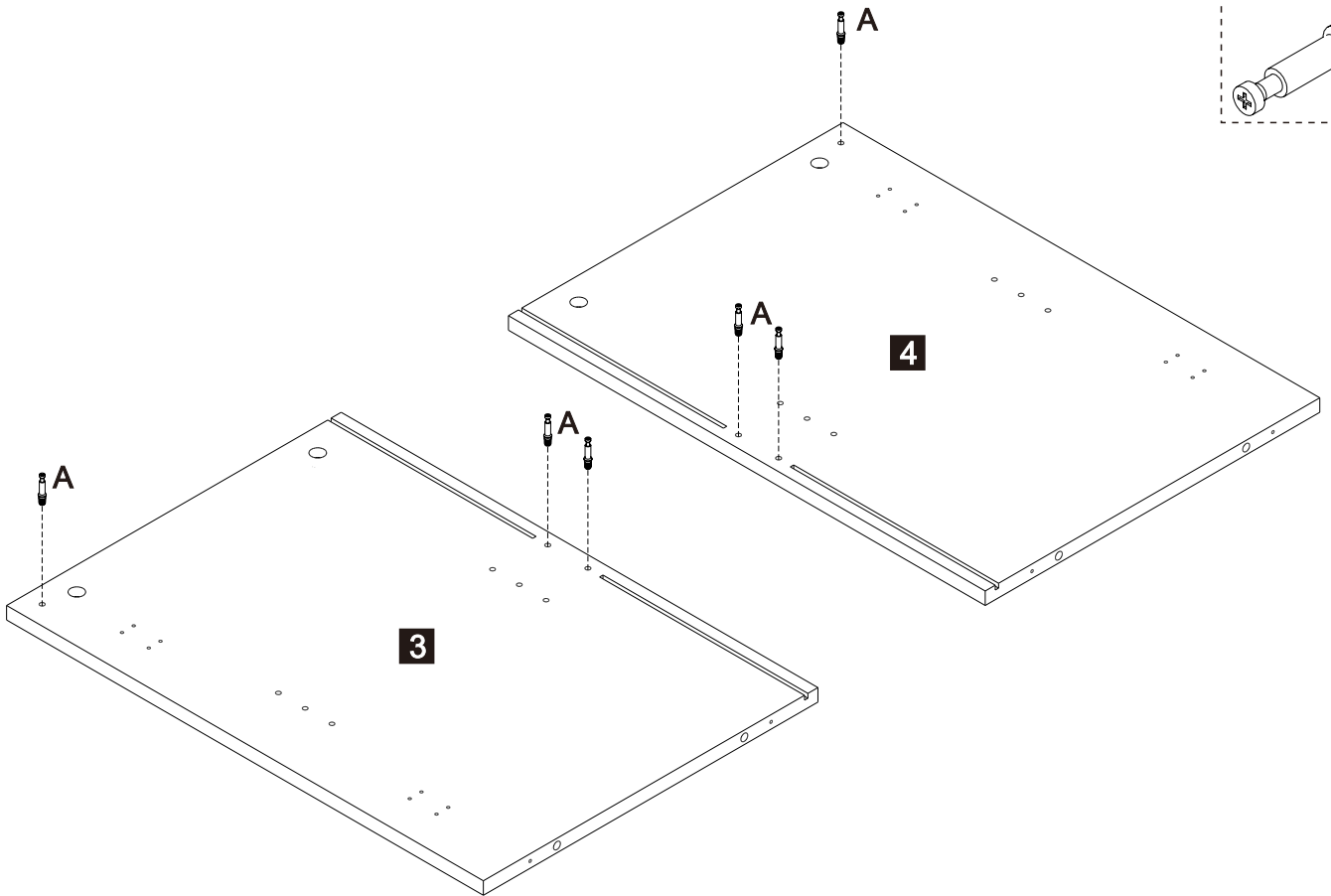
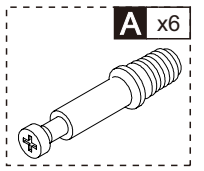
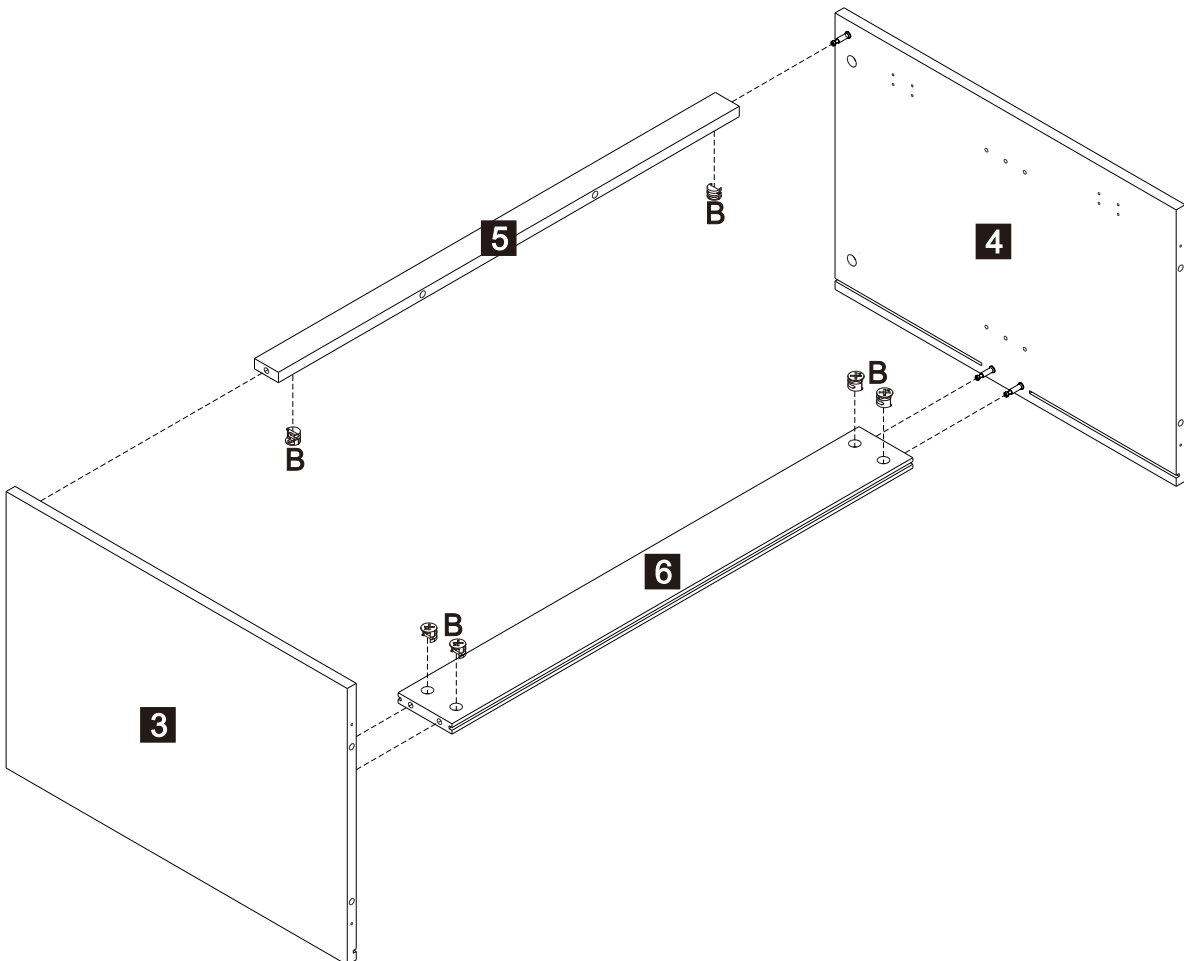
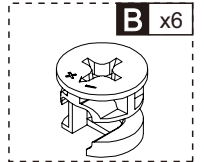


A x10 	B x10 	C x8 	D x7 	E x24 	F x4 	G x6
H x4 	I x2 	J x2 	K x1 	L x1 	M x2 	N x1
O x4 	P x4 	Q x4 				

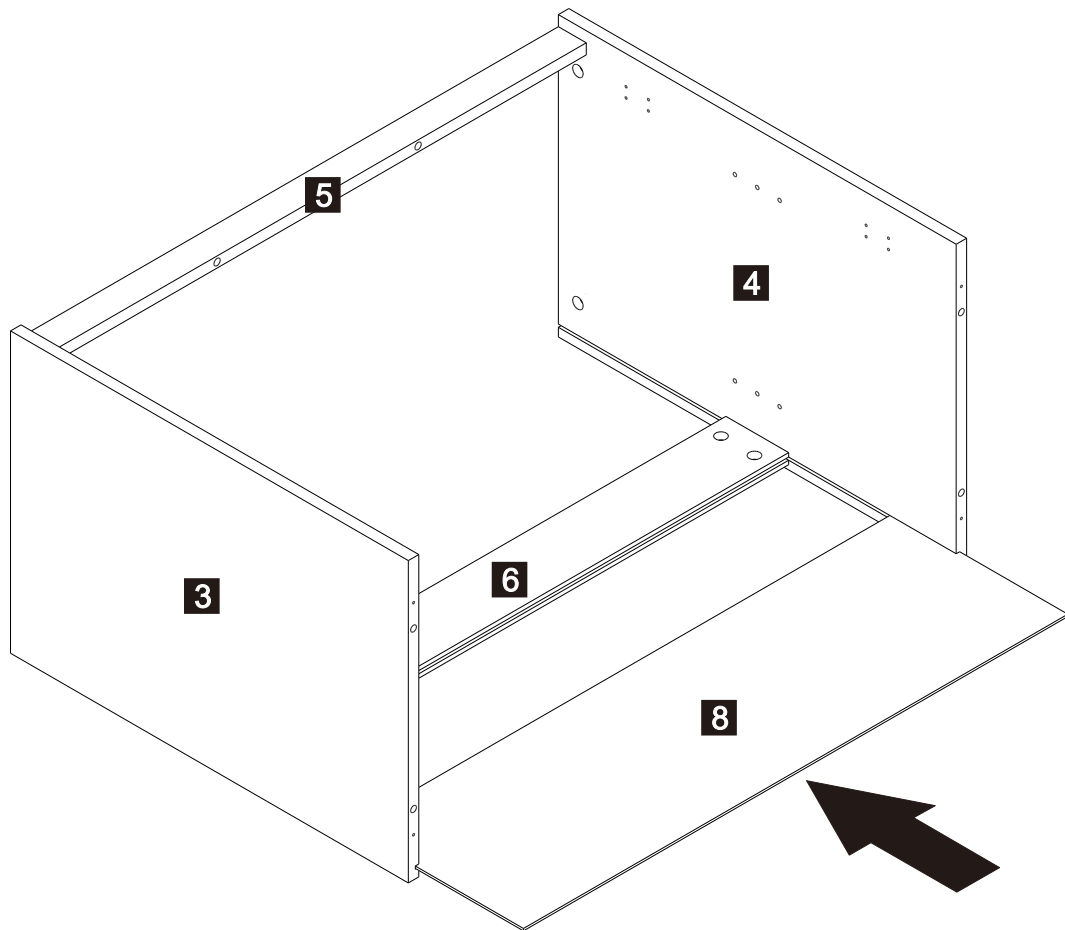
1



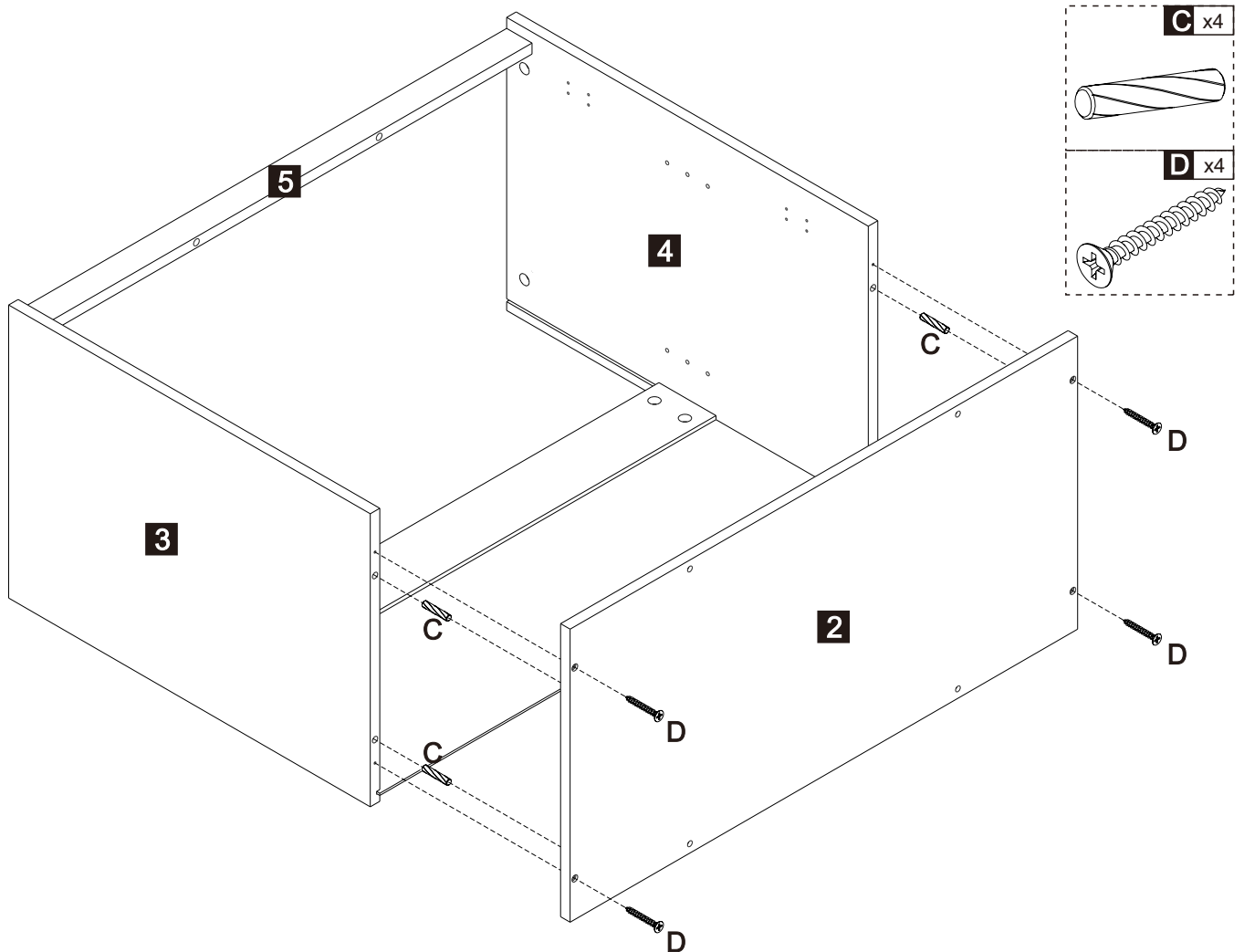
2



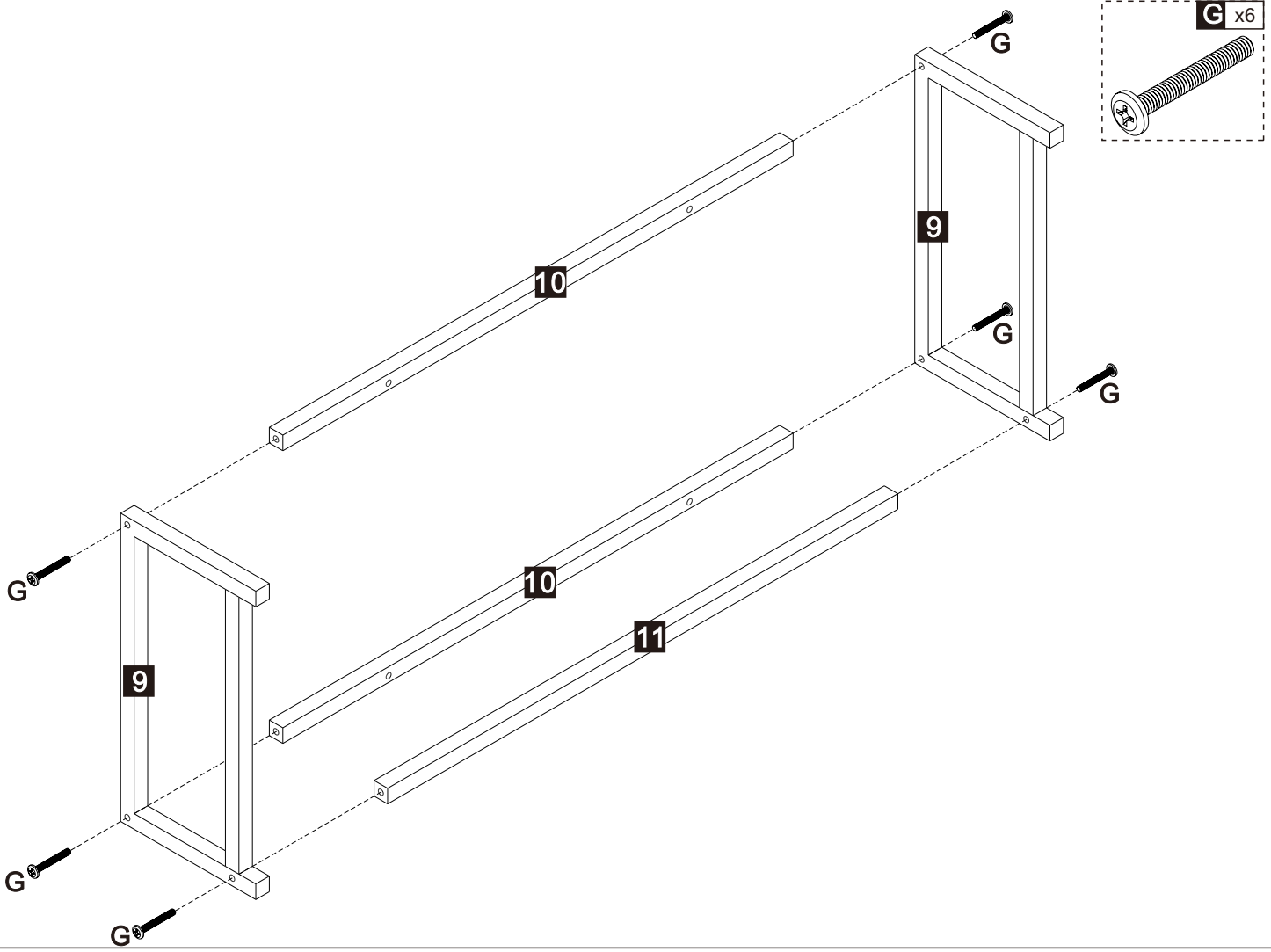
3



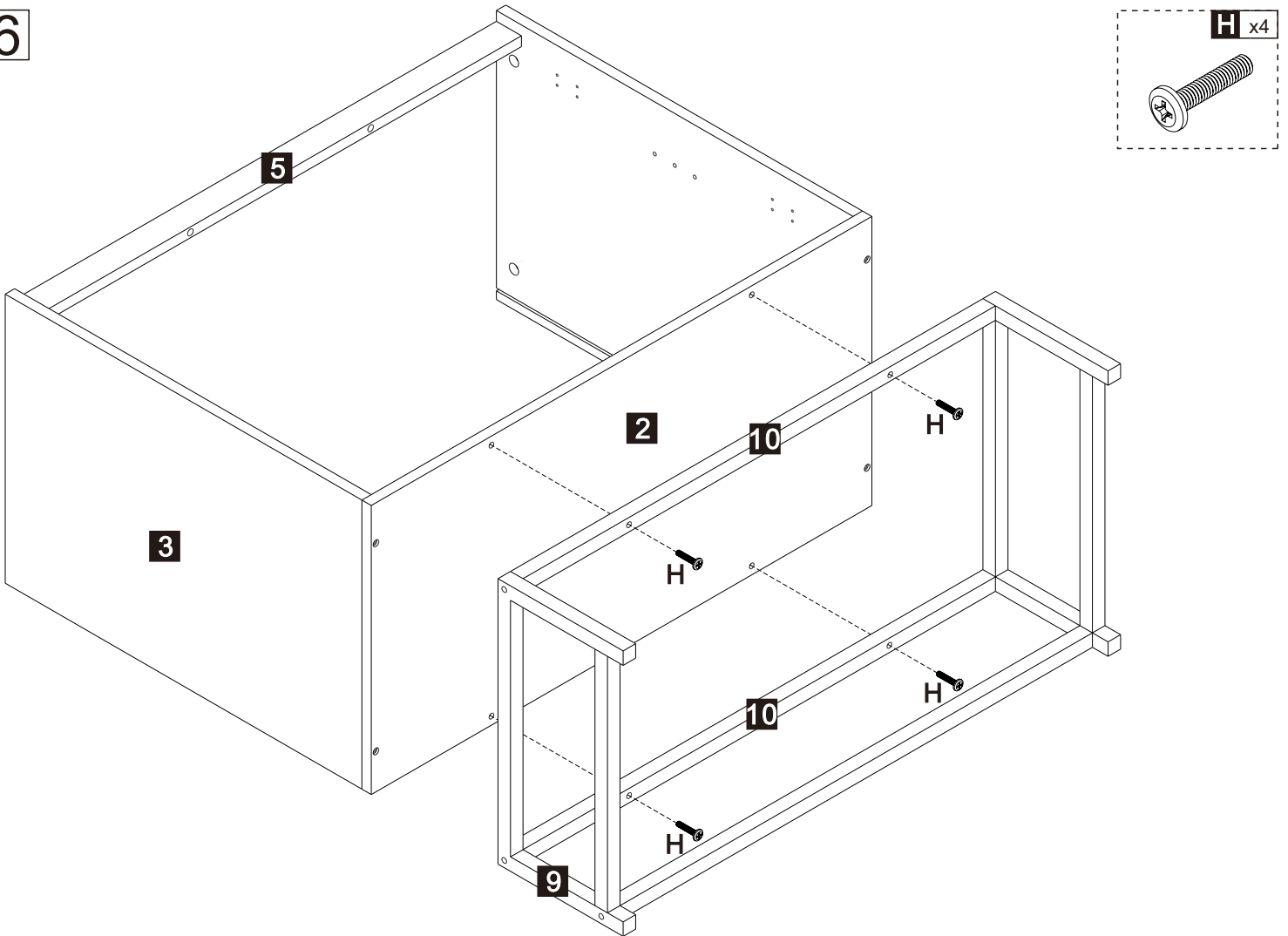
4



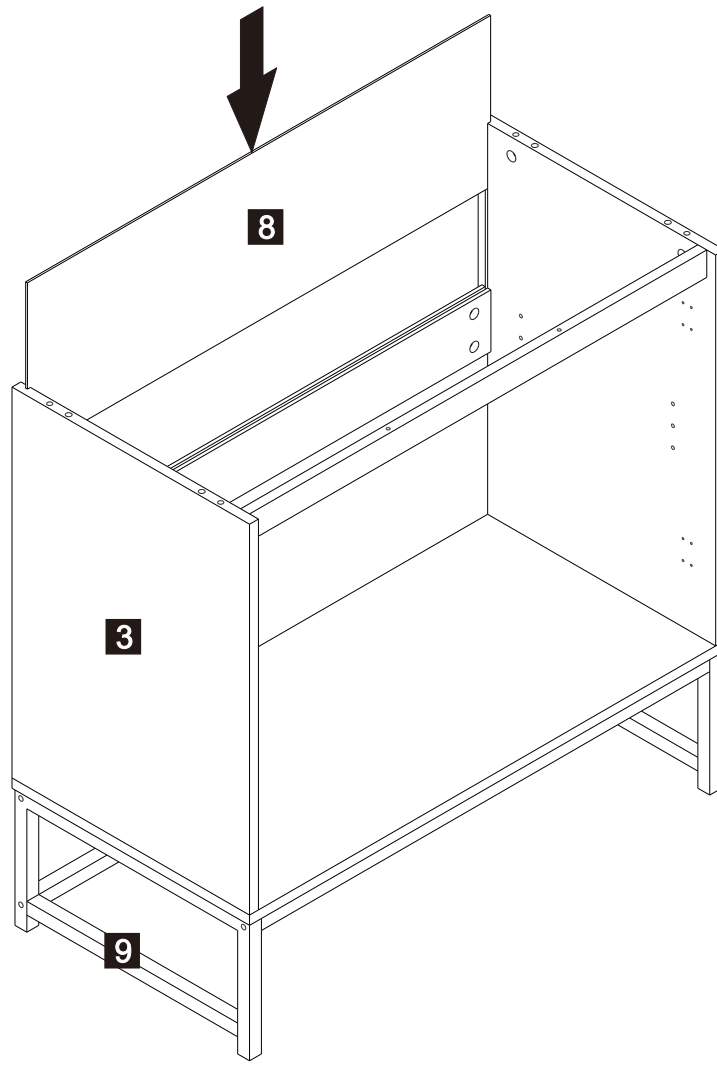
5



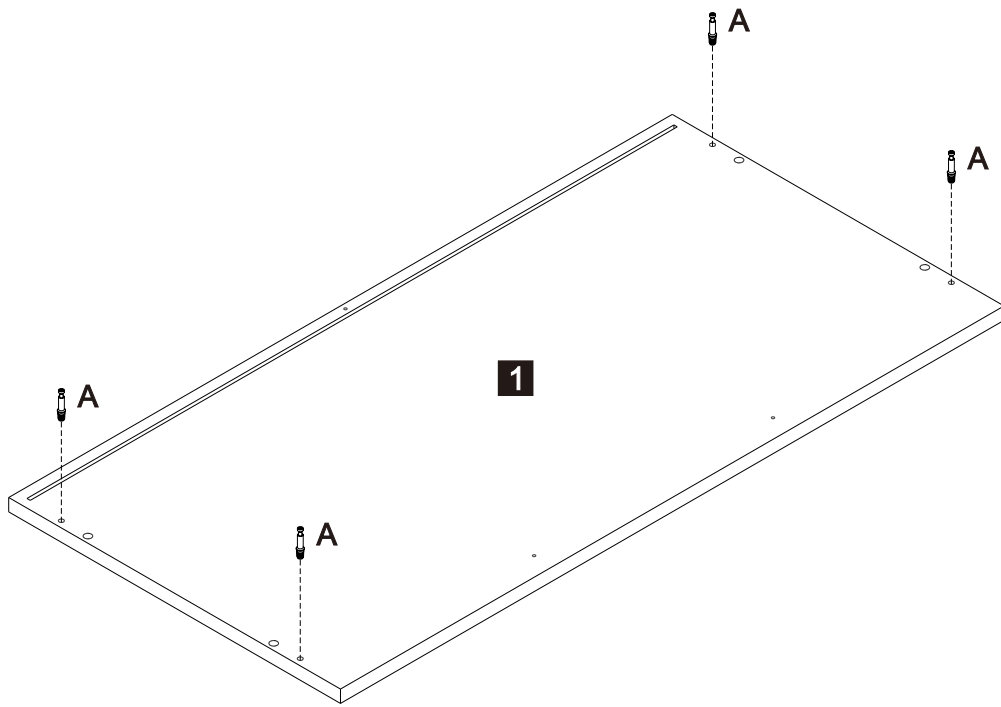
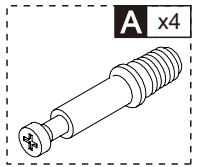
6



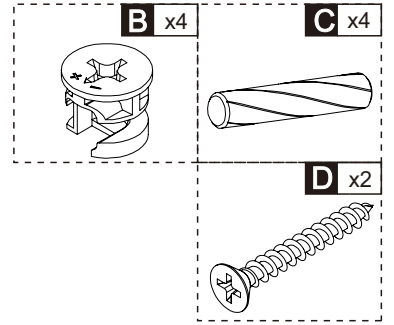
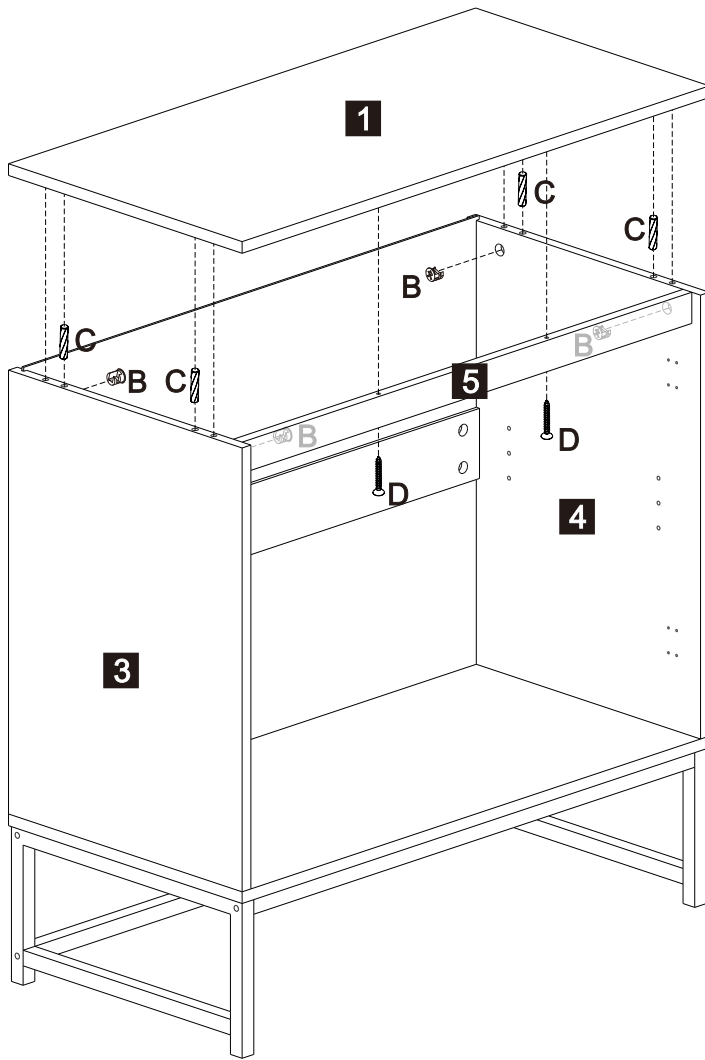
7



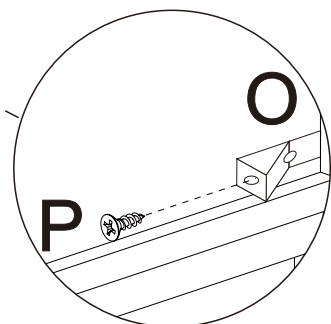
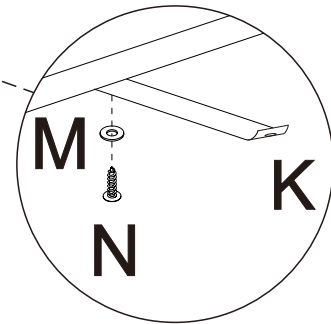
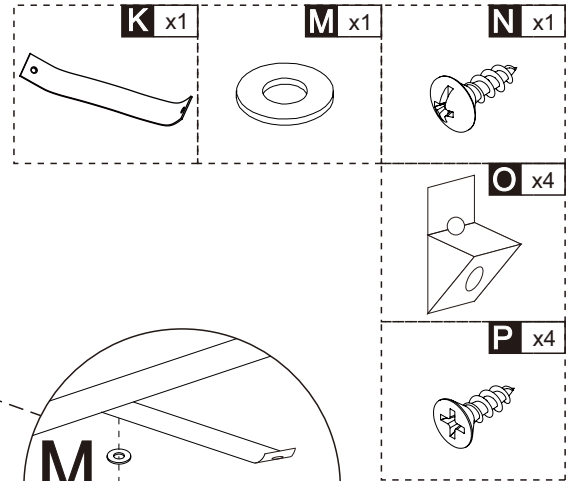
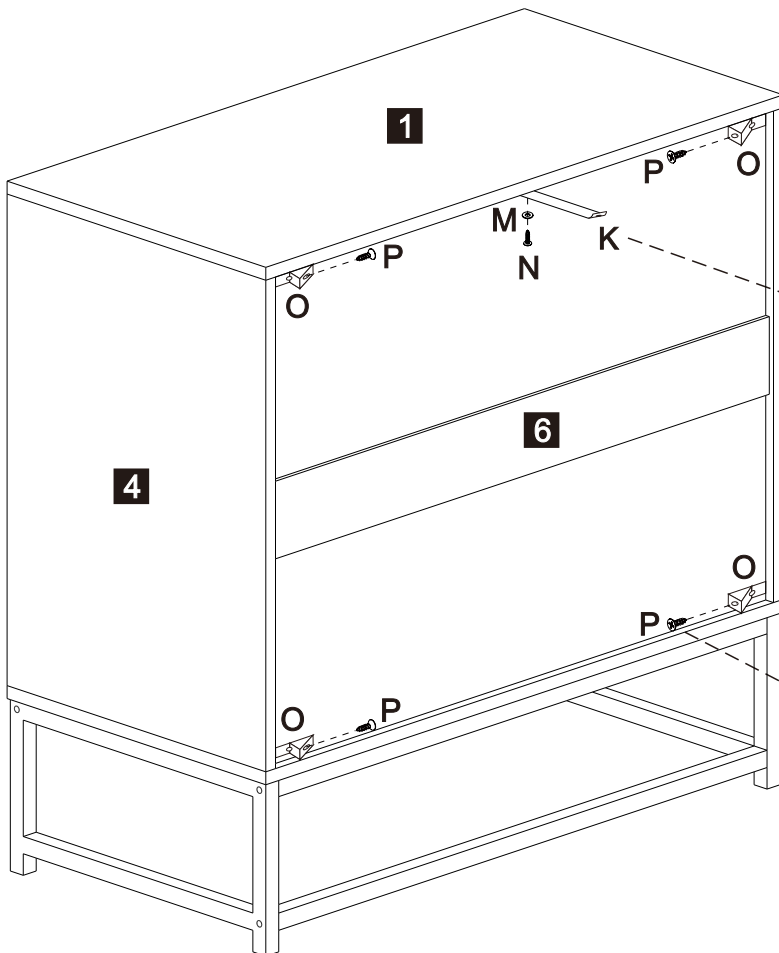
8



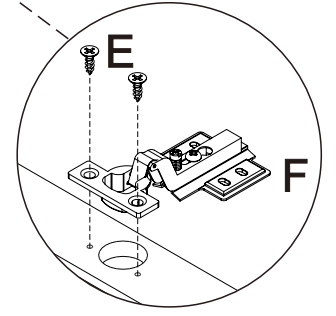
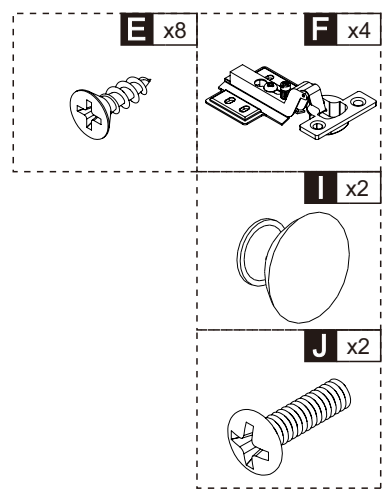
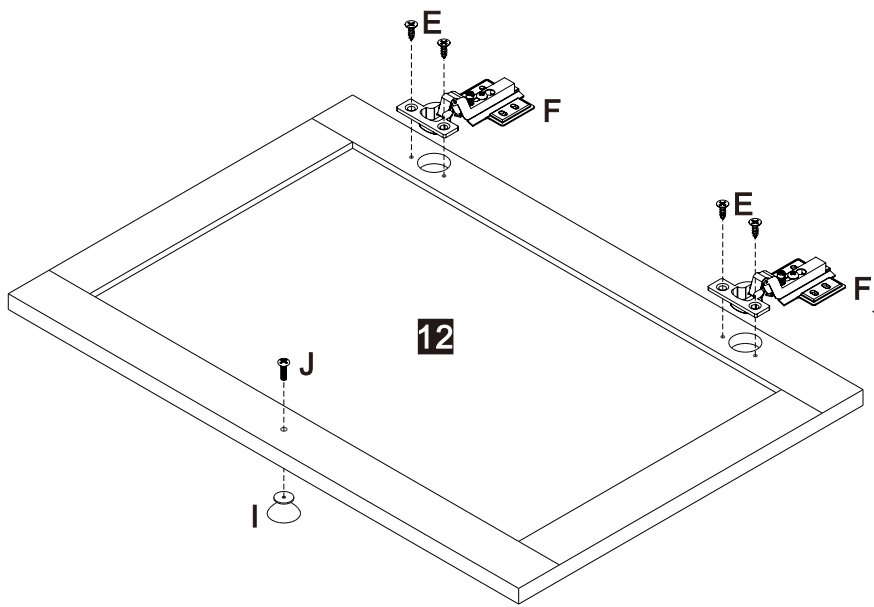
9



10

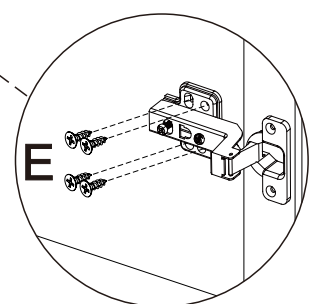
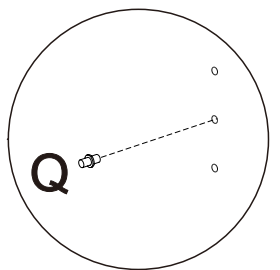
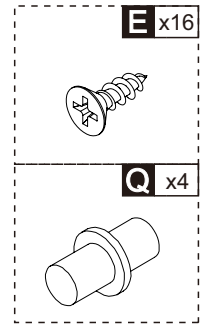
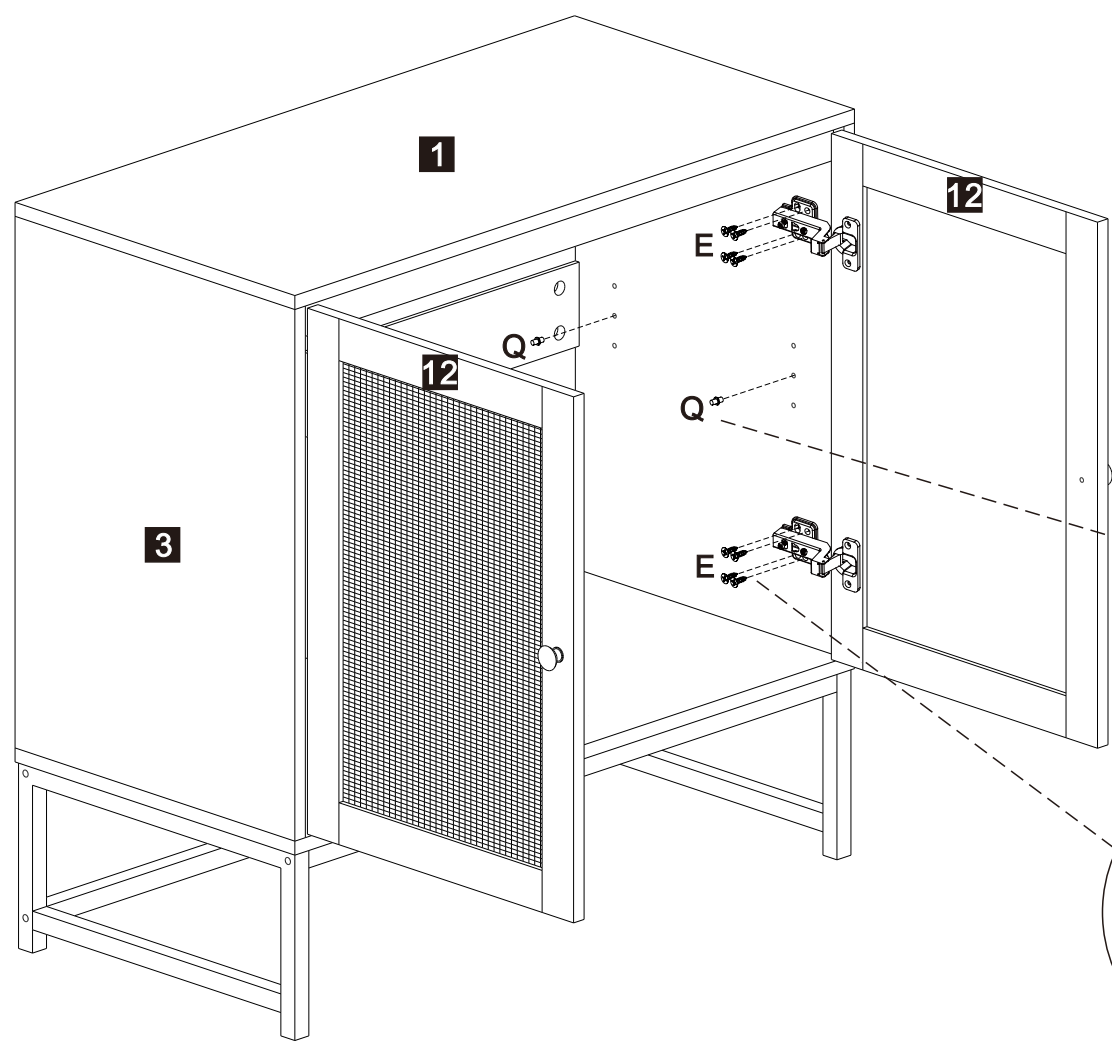


11

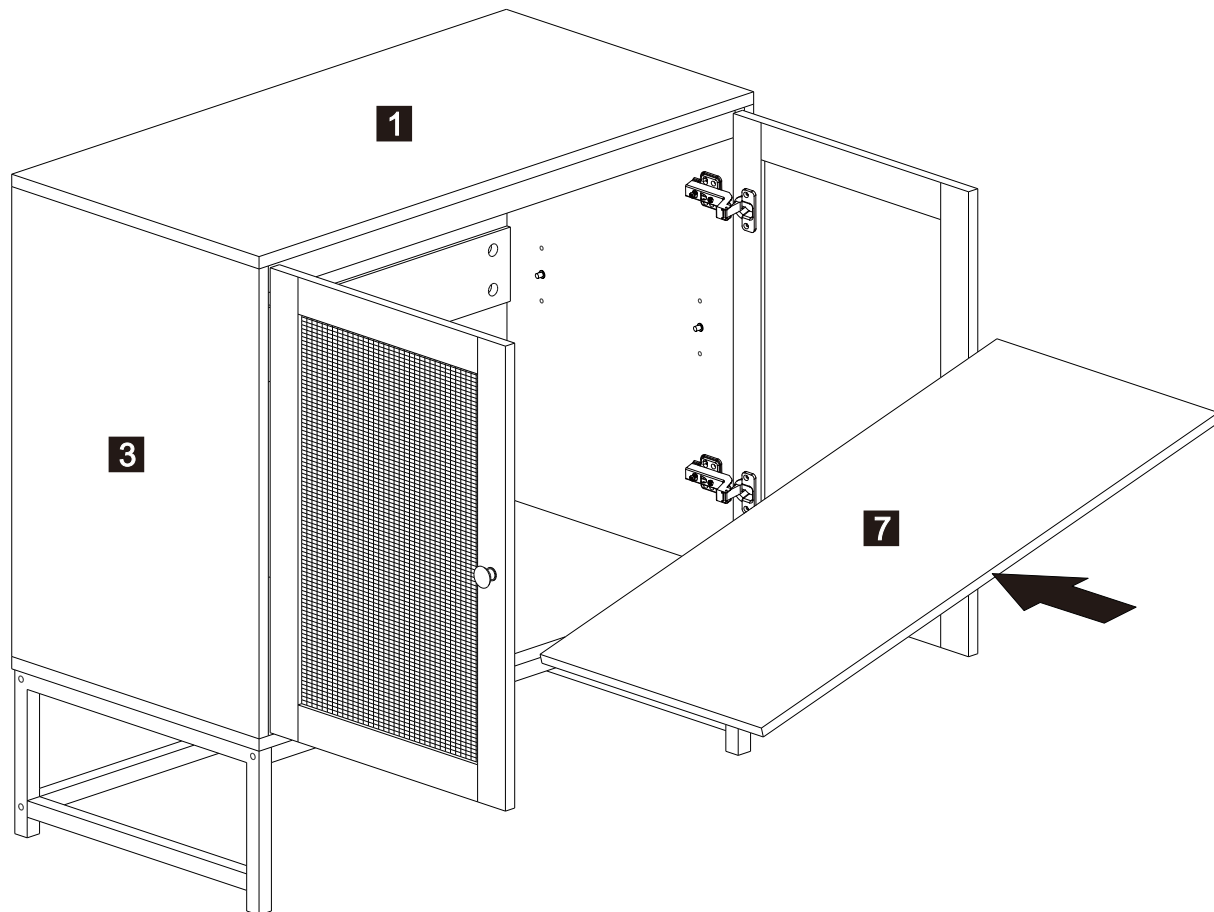


x2

12



13



14

