

## NOTICE

- \* Please make sure that you have all parts indicated and they are in good condition on before you begin assembly of this item. Refer to part list and hardware list below for guidance.
- \* This item should be assembled on a soft surface to prevent scratching the finish during assembly.
- \* This item may require periodic tightening.
- \* If you are having difficulty, our friendly Customer Care team is always here to help. Please email [customersupport@safavieh.com](mailto:customersupport@safavieh.com)






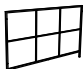

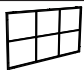
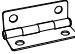




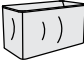

## PREPARATION

- \* Before beginning assembly of product, make sure all parts are present. Compare parts with part contents list and hardware contents list.
- \* If any part is missing or damaged, do not attempt to assemble the product.
- \* Tools Required for Assembly (included): Allen Key
- \* Estimated Assembly Time: 20 minutes.

## CARE AND MAINTENANCE

Store outdoor furniture indoors or cover well when not in use. Dust regularly with small brush or vacuum. Spills should be taken care of immediately before they harden or stain with a slightly damp sponge.

## Part List and Hardware List

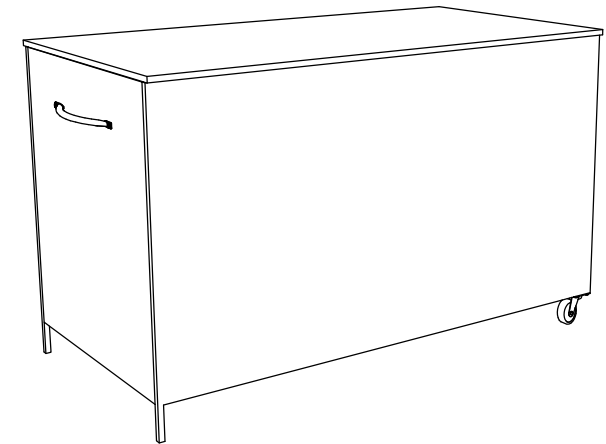
PIECE	DESCRIPTION	PICTURE	QUANTITY	(H)			
					Handle		1x
(A)	Right side		1x	HW1	Bolt M6x15mm		20x
(B)	Left side		1x	HW2	Bolt M6x35mm		18x
(C)	Front side		1x	HW3	Flat washers Ø6x14x1mm		26x
(D)	Back side		1x	HW4	Hinge 50x35x6 mm		3x
(E)	Top side		1x	HW5	Wheel 95x80x90 mm		2x
(F)	Bottom side		1x	HW6	Gas lift 160N		2x
(G)	Rain cover		1x	HW7	Allen key 4x98mm		2x

# SAFAVIEH OUTDOOR

MODEL# PAT6904

PRODUCT DIMENSIONS:

Kent Large Cushion Box : 61.02"L x 31.89"W x 37.40"H

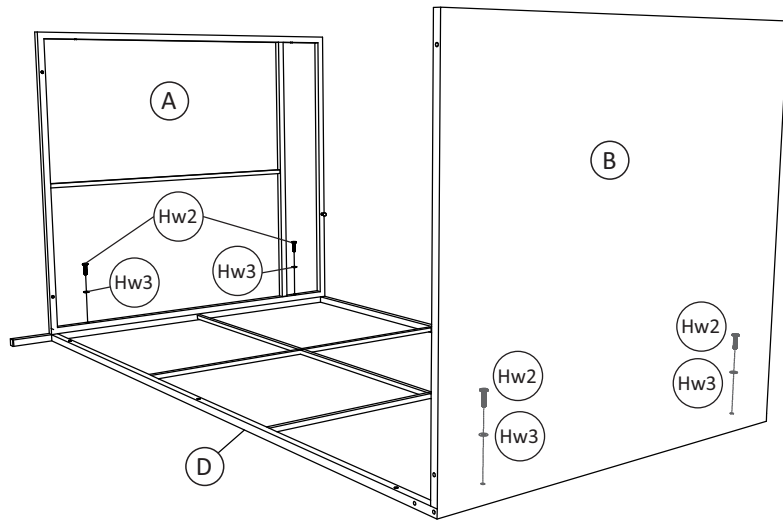


**Weight capacity: 132 Lbs (cushion box)**  
**Warning: Do not stand on the cushion box**  
**Warning: Do not over torque bolts/screws**

# PREPARATION

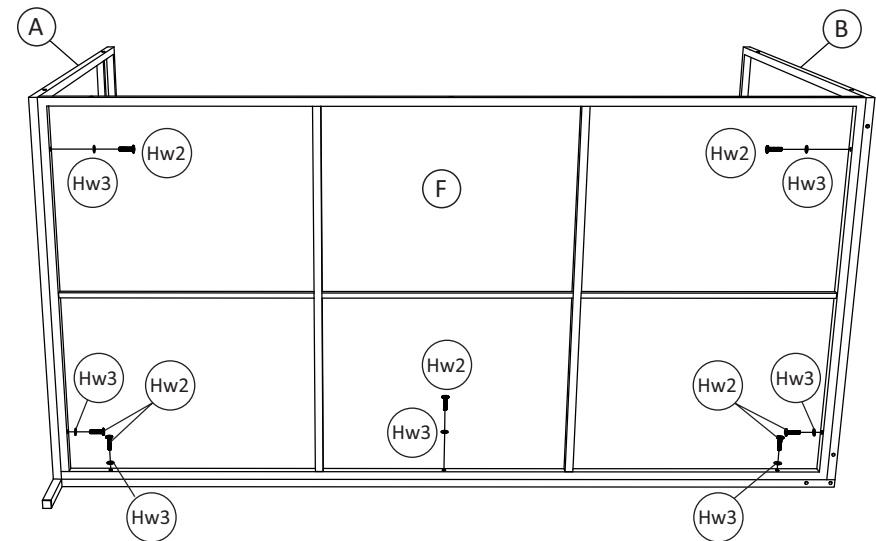
- \* Before beginning assembly of product, make sure all parts are present. Compare parts with part contents list and hardware contents list.
- \* If any part is missing or damaged, do not attempt to assemble the product.
- \* Estimated Assembly Time: 20 minutes.
- \* Tools Required for Assembly (included): Allen Key
- \* If you are having difficulty, our friendly Customer care team is always here to help. Please email [customersupport@safavieh.com](mailto:customersupport@safavieh.com)

1



STEP 1: Assemble Right side (A) and Left side (B) with Back side (D) by Bolt (HW2) and Flat washer (HW3) and using Allen key (HW7) to fit.

2

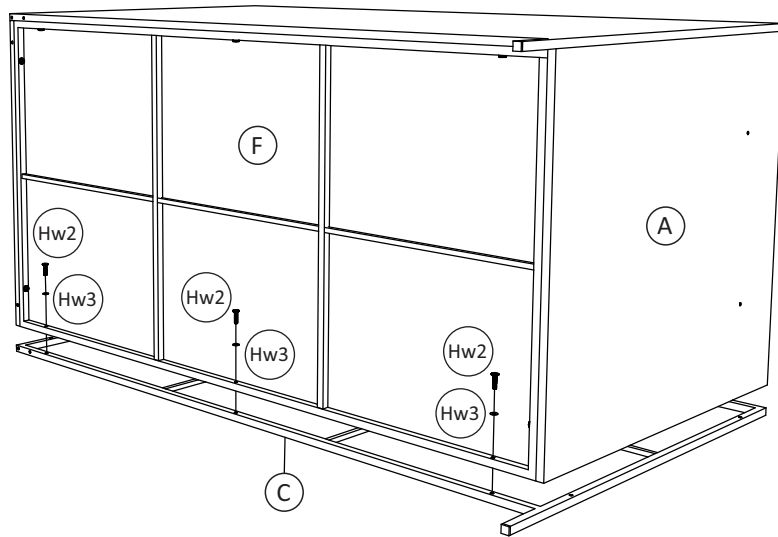


STEP 2: Assemble Bottom side frame (F) into the whole frame of Step 1 by Bolt (HW2) and Flat washer (HW3) and using Allen key (HW7) to fit.

# PREPARATION

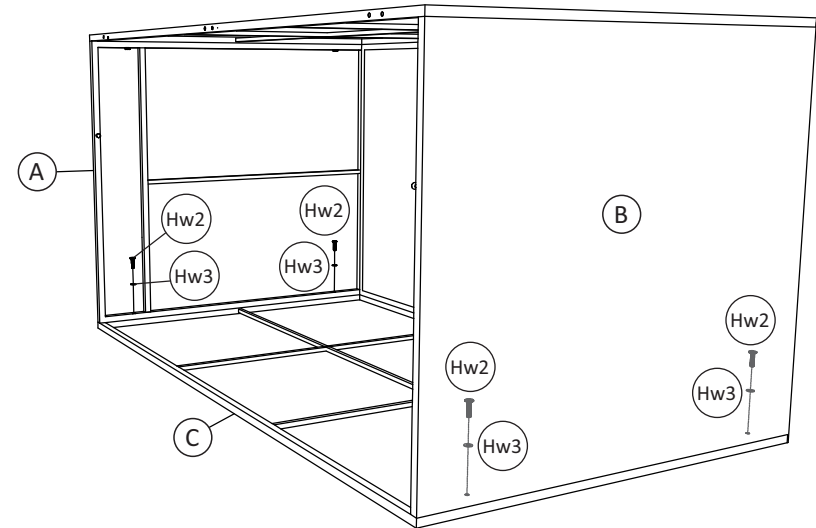
- \* Before beginning assembly of product, make sure all parts are present. Compare parts with part contents list and hardware contents list.
- \* If any part is missing or damaged, do not attempt to assemble the product.
- \* Estimated Assembly Time: 20 minutes.
- \* Tools Required for Assembly (included): Allen Key
- \* If you are having difficulty, our friendly Customer care team is always here to help. Please email [customersupport@safavieh.com](mailto:customersupport@safavieh.com)

3



STEP 3: Assemble Front side frame (C) into the whole frame of Step 2 by Bolt (HW2) and Flat washer (HW3) and using Allen key (HW7) to fit.

4

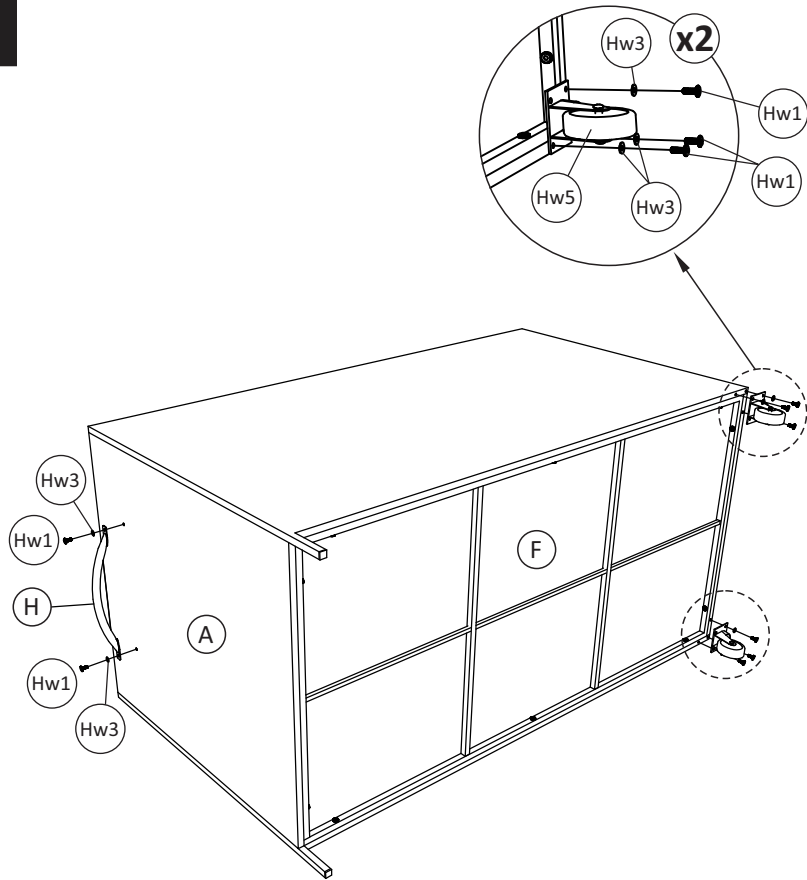


STEP 4: After finishing at Step 3, assemble the Front side frame (C) by Bolt (HW2) and Flat washer (HW3) and using Allen key (HW7) to fit.

# PREPARATION

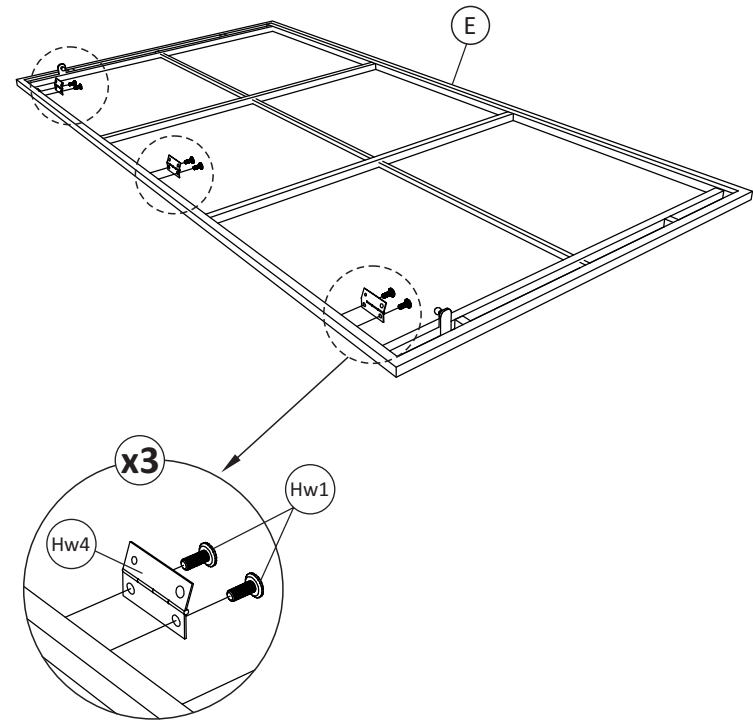
- \* Before beginning assembly of product, make sure all parts are present. Compare parts with part contents list and hardware contents list.
- \* If any part is missing or damaged, do not attempt to assemble the product.
- \* Estimated Assembly Time: 20 minutes.
- \* Tools Required for Assembly (included): Allen Key
- \* If you are having difficulty, our friendly Customer care team is always here to help. Please email [customersupport@safavieh.com](mailto:customersupport@safavieh.com)

5



STEP 5: After finishing at Step 4, assemble the Handle (H) and Wheel (HW5) by Bolt (HW1) and Flat washer (HW3) and using Allen key (HW7) to fit.

6

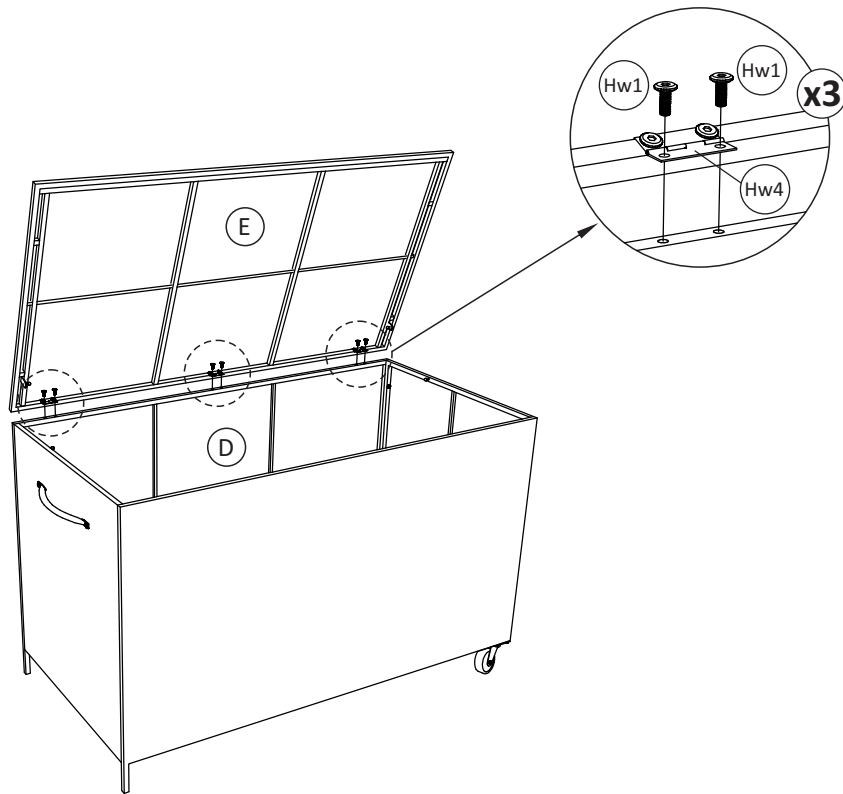


STEP 6: Install Hinge (HW4) into the Top side frame (E) by Bolt (HW1) and using Flat washer (HW3) and using Allen key (HW7) to fit.

# PREPARATION

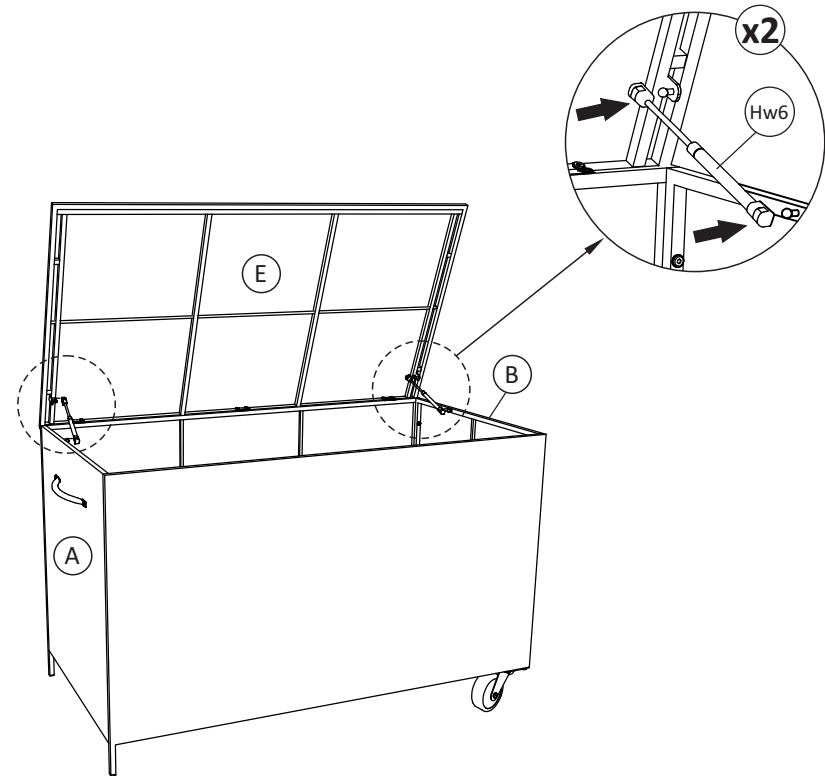
- \* Before beginning assembly of product, make sure all parts are present. Compare parts with part contents list and hardware contents list.
- \* If any part is missing or damaged, do not attempt to assemble the product.
- \* Estimated Assembly Time: 20 minutes.
- \* Tools Required for Assembly (included): Allen Key
- \* If you are having difficulty, our friendly Customer care team is always here to help. Please email [customersupport@safavieh.com](mailto:customersupport@safavieh.com)

7



STEP 7: After finishing at Step 6, assemble the Top side frame (E) with Back side (D) by Bolt (HW1) and Hinge (HW4) and using Allen key (HW7) to fit.

8

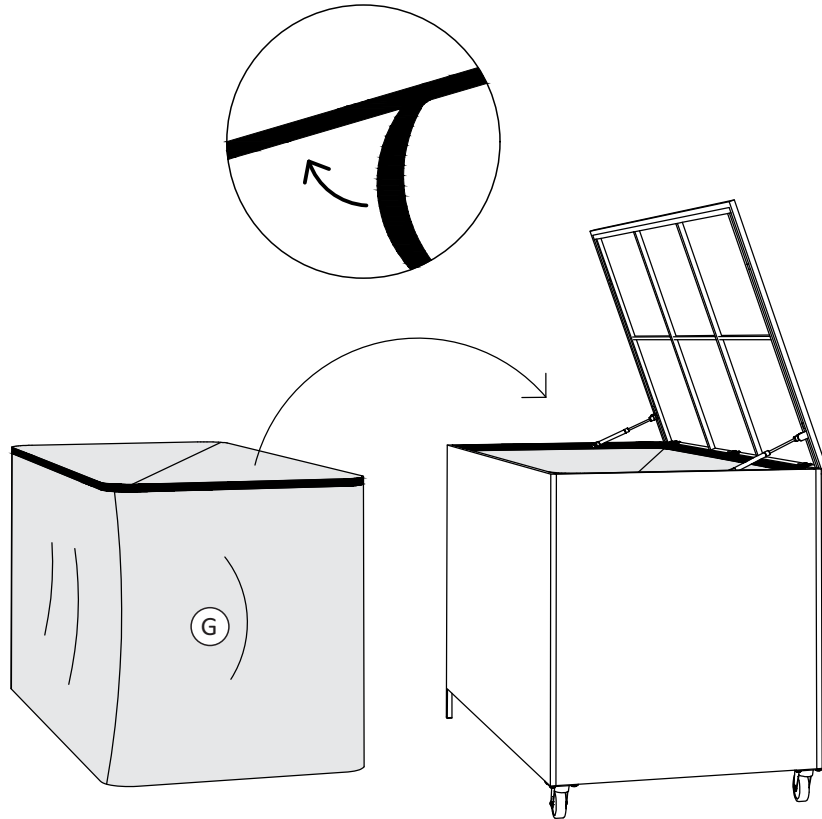


STEP 8: After finishing at Step 7, Carefully install Gas lift (HW6) into the Top side frame (E), Right side (A) and Left side (B) by hand.

# PREPARATION

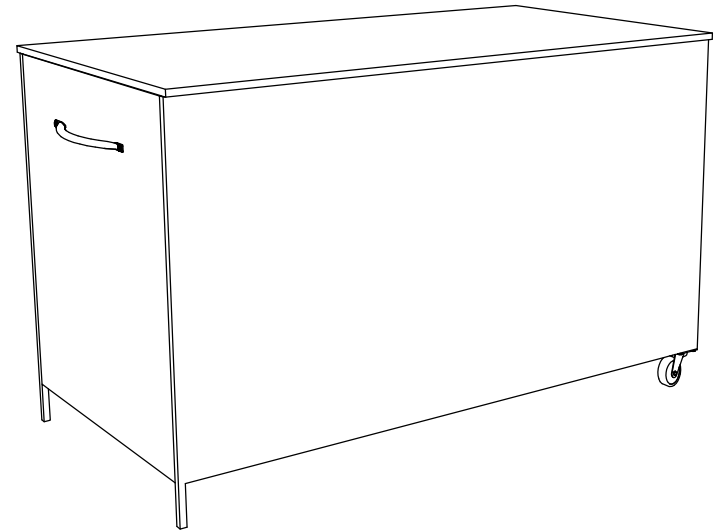
- \* Before beginning assembly of product, make sure all parts are present. Compare parts with part contents list and hardware contents list.
- \* If any part is missing or damaged, do not attempt to assemble the product.
- \* Estimated Assembly Time: 20 minutes.
- \* Tools Required for Assembly (included): Allen Key
- \* If you are having difficulty, our friendly Customer care team is always here to help. Please email [customersupport@safavieh.com](mailto:customersupport@safavieh.com)

9



STEP 9: Put the Rain cover (G) in the box storage and using adhesive tape finished forusing.

10



**FINISHED!**