

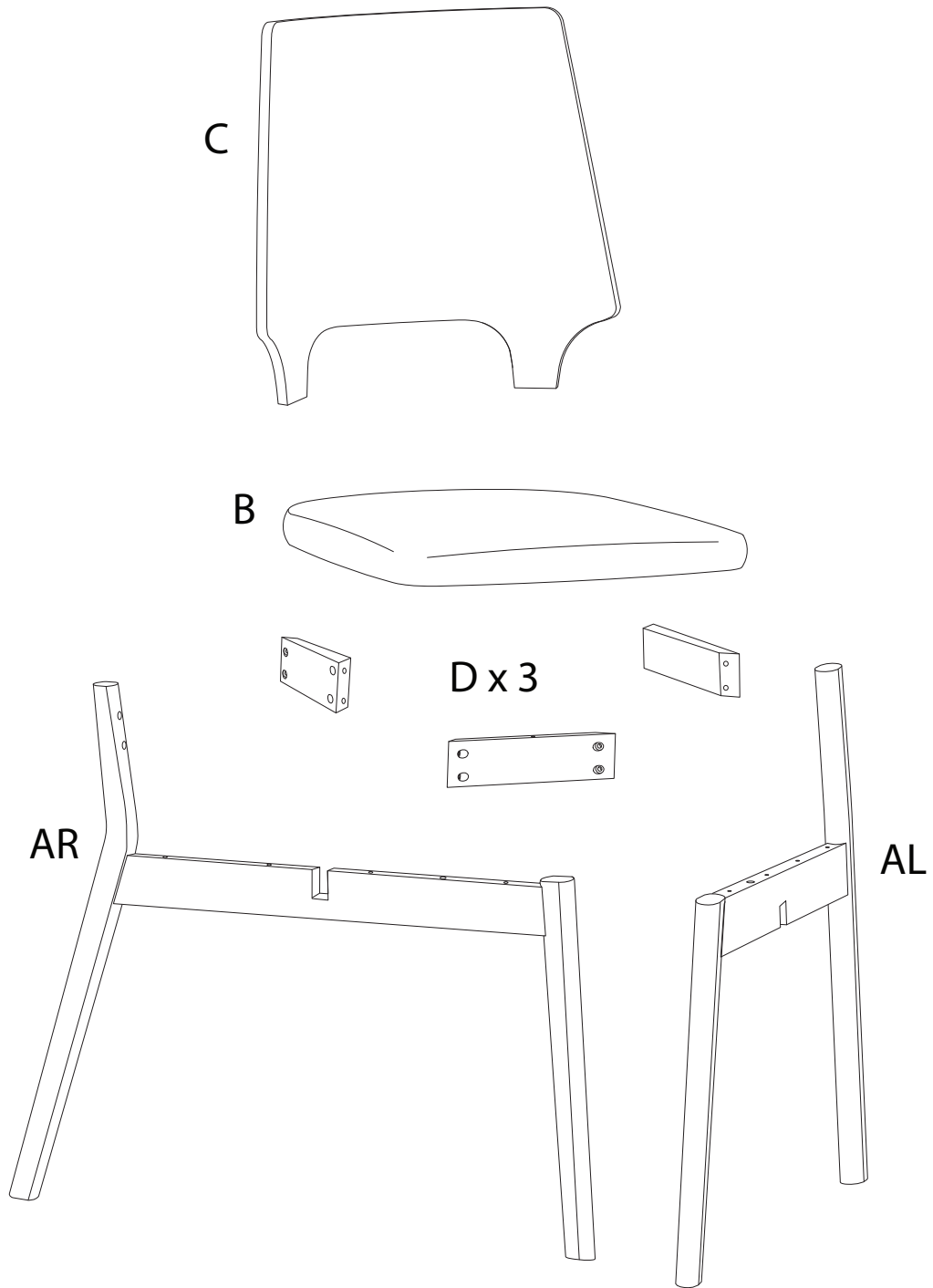
Assembly instructions for the chair, including tool requirements, time, and personnel.

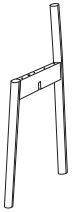
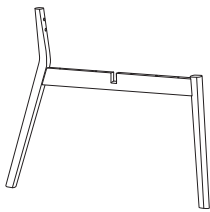

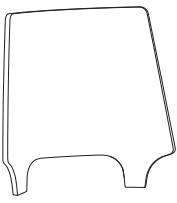

Tools: A circular icon contains a screwdriver and an Allen key. A power drill is shown with a diagonal line through it, indicating it is not required.

Time: A clock icon is shown next to the text "45'".

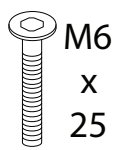
Personnel: A stick figure icon is shown next to the text "2".

Warnings: Two warning triangles (exclamation marks) are present. The top one is connected to the tool icons, and the bottom one is connected to the personnel icon.



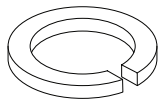
AL	AR	B	C	D
				
x 1	x 1	x 1	x 1	x 1

1



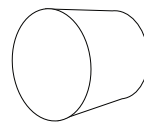
x 4

2



x 4

3



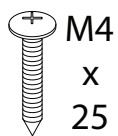
x 4

4



x 1

5



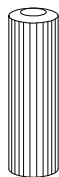
x 12

6



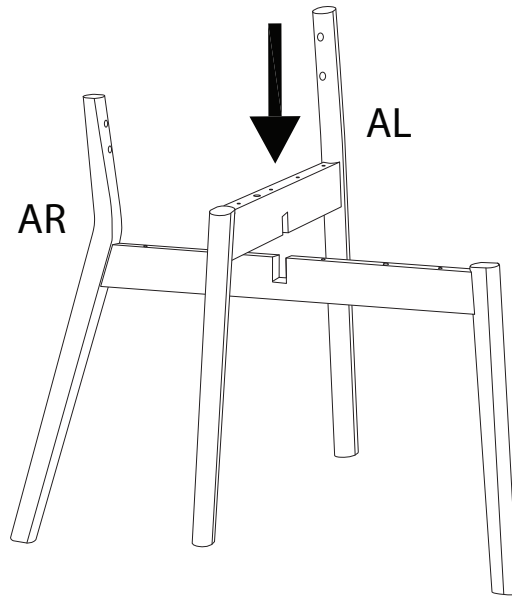
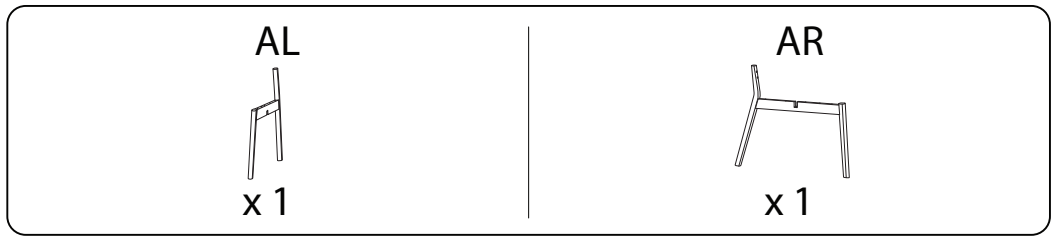
x 8

7

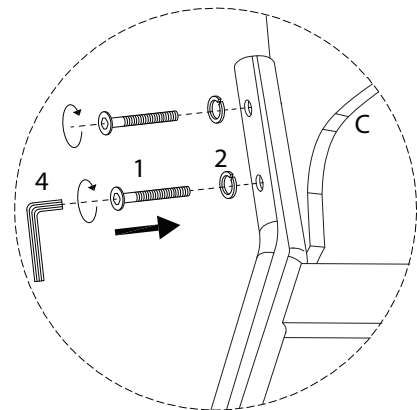
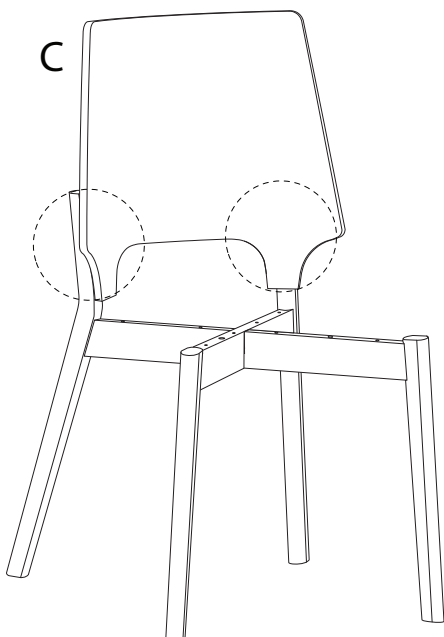


x 2

1



2

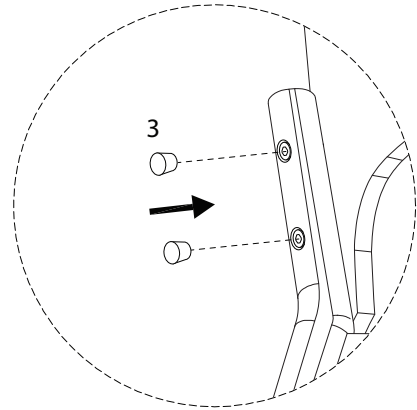
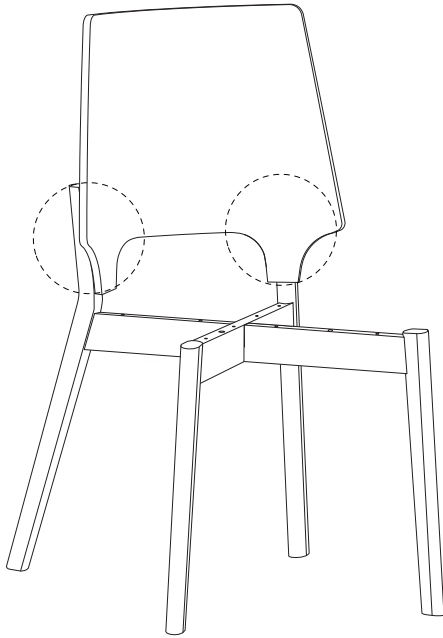


3

3



x 4



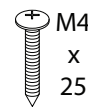
4

D

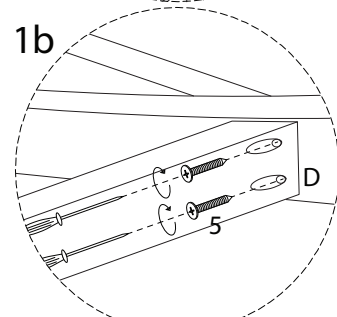
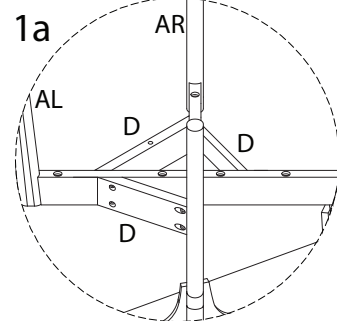
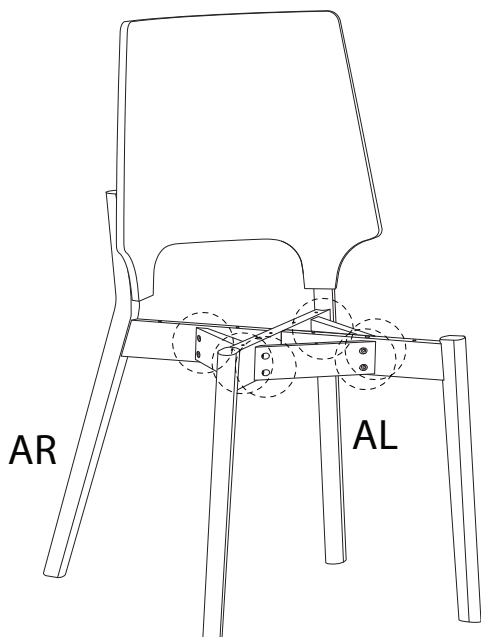


x 3

5

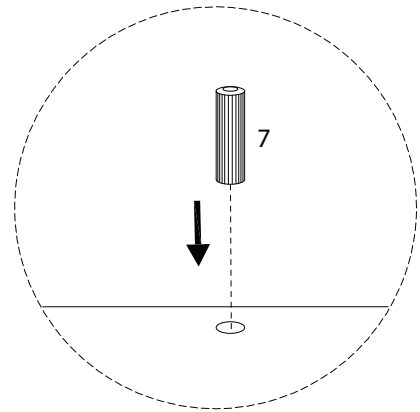
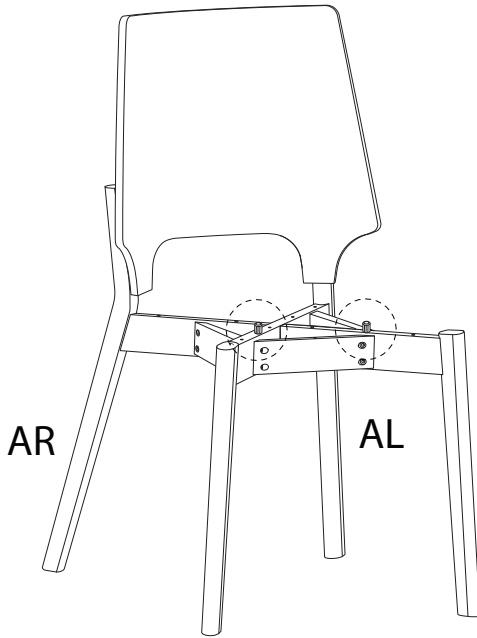


x 12



5

7
x 2



6

B



x 1

6

M4
x
32
x 8

