



ASSEMBLY INSTRUCTIONS

Item No :T3772-3P


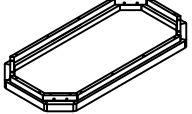
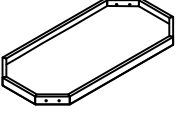

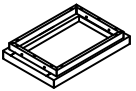
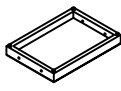

DECKER 3 PIECE OCCASIONAL SET- 1 COFFEE & 2 END TABLES

Thank you for purchasing this quality product. Be sure to check all packing materials carefully for small parts, which may have come loose inside the carton during shipment. Identify and count all items and compare with the PARTS LIST and/or HARDWARE LIST shown below.

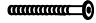



Please read the instructions thoroughly before assembly.

1. We recommend that you assemble this product with the assistance of another person; this will make the assembly easier, and will help eliminate damage to the product or injury to persons during assembly.
2. Please do not tighten screws or bolts until the assembly is completed.
3. To level the chairs or table, before tightening all the screws, the chairs or table must be placed on a flat surface and then tighten the screws.
4. Please put all parts on a non-abrasive floor before assembly and follow the assembly steps to assemble your newly purchased product correctly and efficiently.

PARTS LIST

NO.	DESCRIPTION	SKETCH	QTY
A	COFFEE TABLE LEG		4 PCS
B	COFFEE TABLE TOP		1 PC
C	COFFEE TABLE BASE		1 PC
D	END TABLE LEG		8 PCS
E	END TABLE TOP		2 PCS
F	END TABLE BASE		2 PCS
G	END TABLE SHELF		2 PCS

HARDWARE LIST

NO.	DESCRIPTION	SKETCH	QTY
1	JCBC Ø0.24" × 1.18"		40 PCS
2	SPRING WASHER		40 PCS
3	FLAT WASHER		40 PCS
4	ALLEN KEY		1 PC

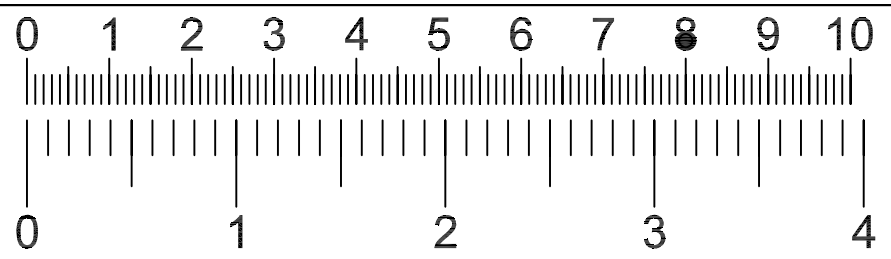


New
Classic
FURNITURE

ASSEMBLY INSTRUCTIONS

Item No :T3772-3P

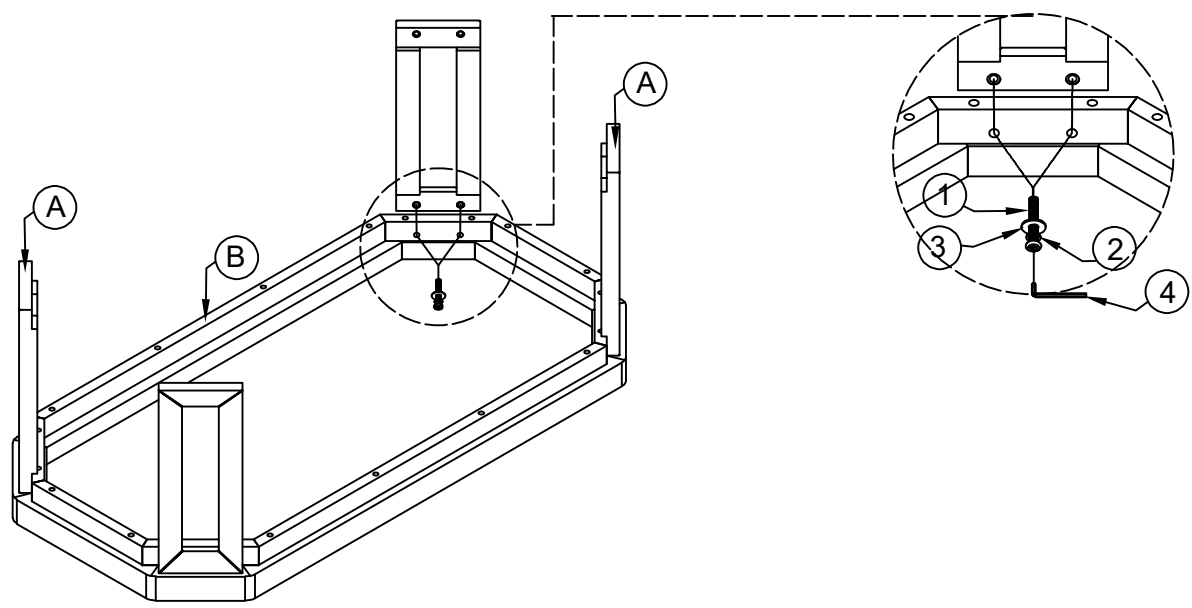
DECKER 3 PIECE OCCASIONAL SET- 1 COFFEE
& 2 END TABLES



HARDWARE DIMENSIONS
VERIFICATION TOOL

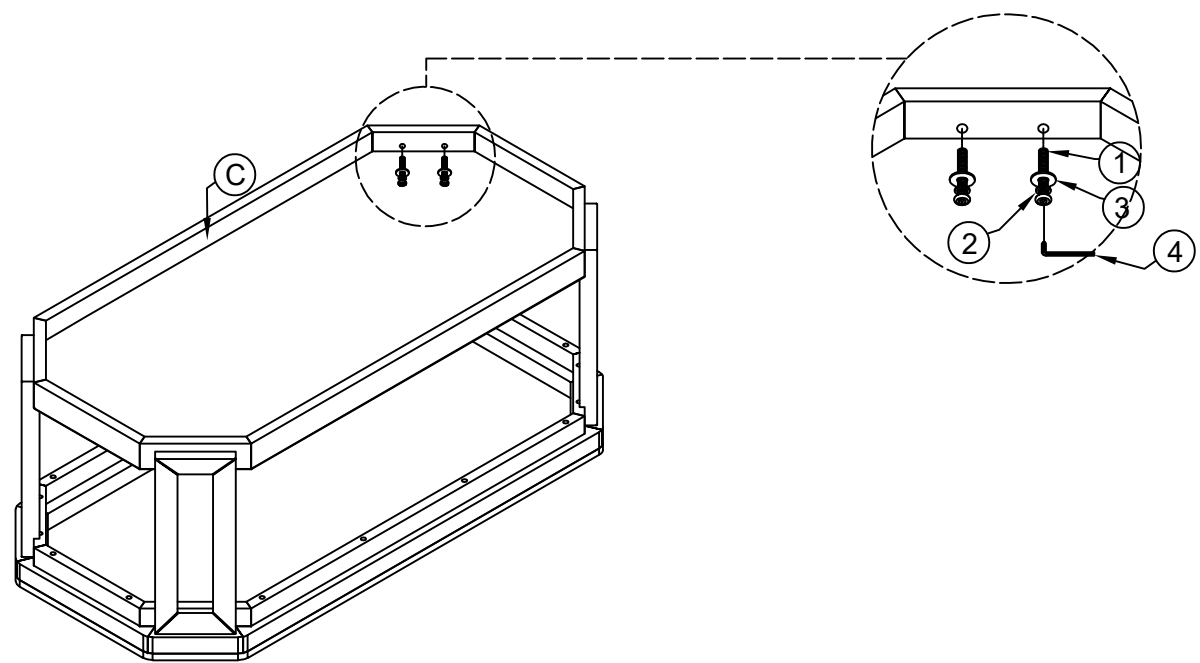
STEP 1 : Coffee Table

PART A (Coffee Table Leg) need to assemble to **PART B** (Coffee Table Top) using **HARDWARE 3** (Flat Washer), **2** (Spring washer) & **1** (JCBC Ø0.24" × 1.18") using **HARDWARE 4** (Allen Key) as shown.



STEP 2 : Coffee Table

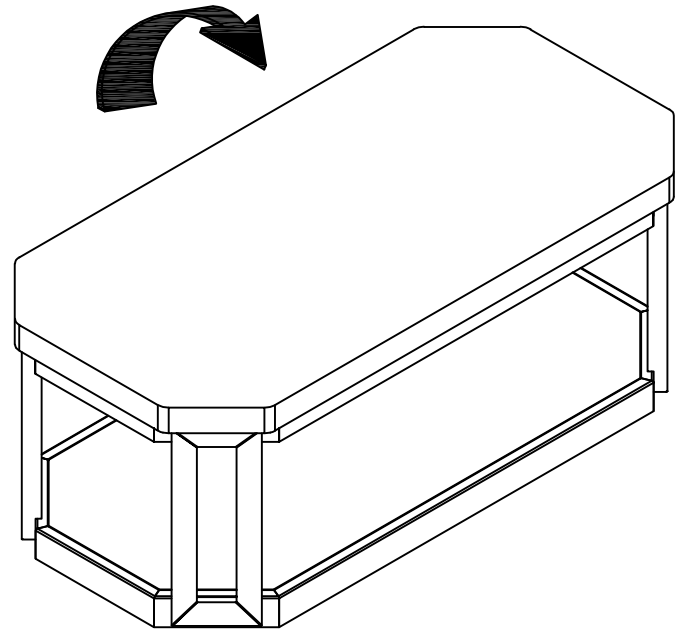
PART C (Coffee Table Base) need to assemble to **PART A** (Coffee Table Leg) using **HARDWARE 3** (Flat Washer), **2** (Spring washer) & **1** (JCBC Ø0.24" × 1.18") using **HARDWARE 4** (Allen Key) as shown.





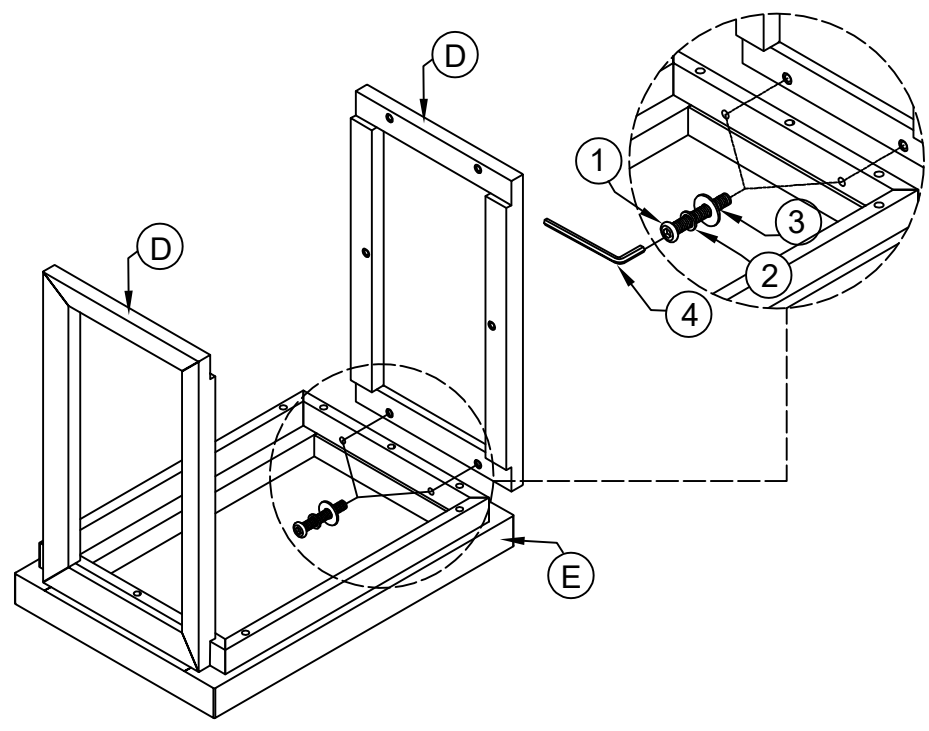
STEP 3 : Coffee Table

Turn the table upright. Assembly is complete.



STEP 4 : End Table

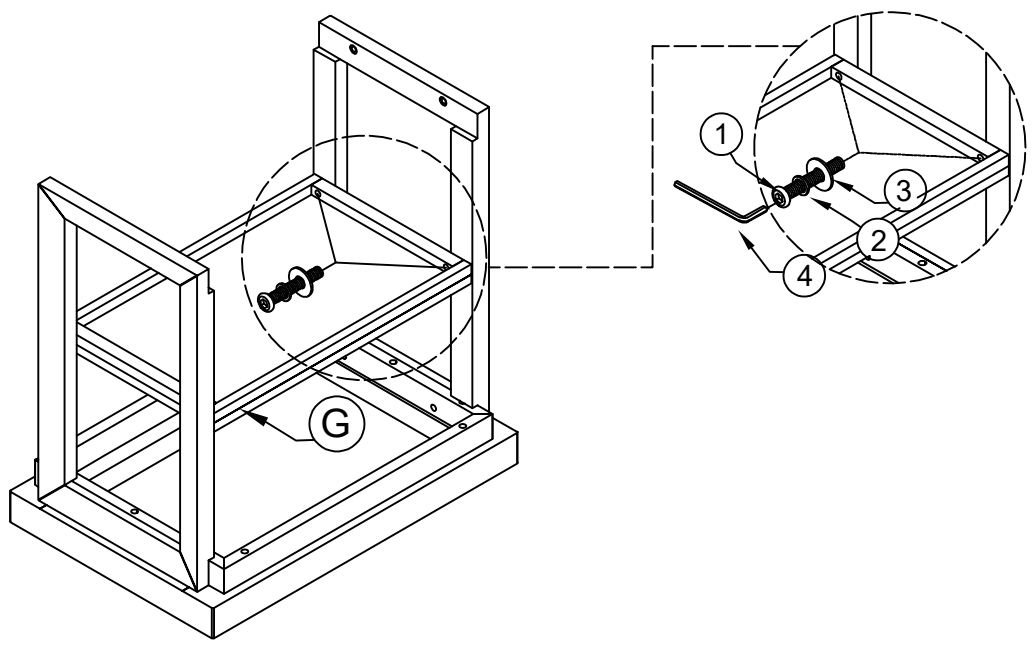
PART D (End Table Leg) need to assemble to **PART E** (End Table Top) using **HARDWARE 3** (Flat Washer), **2** (Spring washer) & **1** (JCBC Ø0.24" × 1.18") using **HARDWARE 4** (Allen Key) as shown.





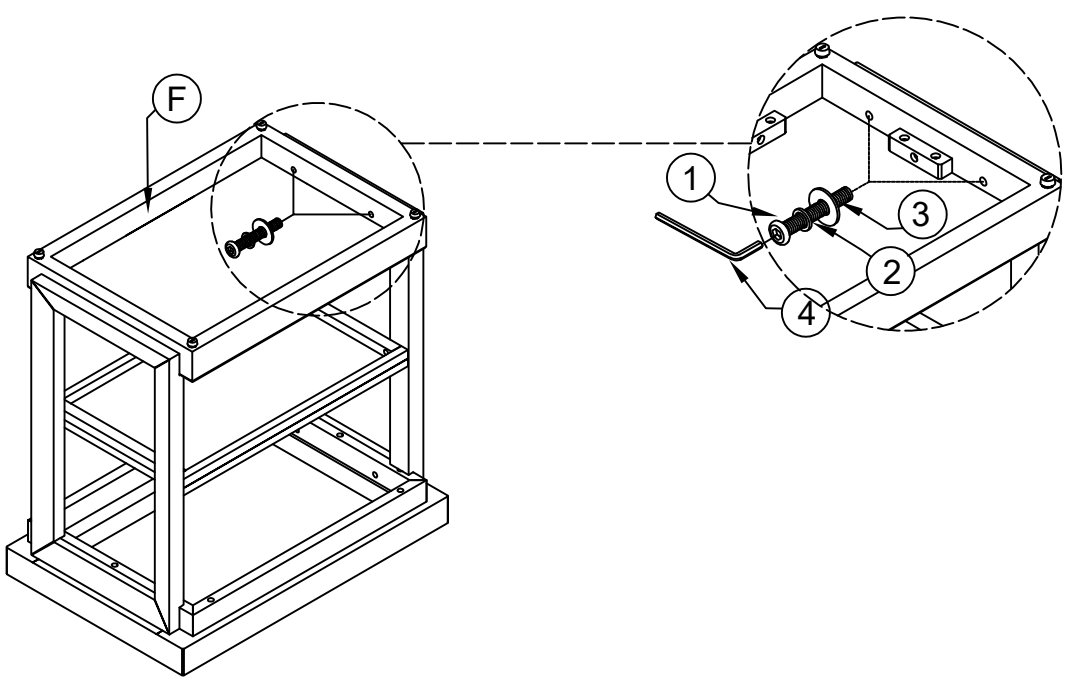
STEP 5 : End Table

Turn the table updown, **PART G** (End Table Shelf) need to assembly to leg table using a **HARDWARE 4** (Flat Washer),**3** (Spring washer), **2** (Flat Washer) & **1** (JCBC Ø0.24" × 1.18") using **HARDWARE 5** (Allen Key) as shown.



STEP 6 : End Table

PART F (End Table Base) need to assembly to leg table using a **HARDWARE 4** (Flat Washer),**3** (Spring washer), **2** (Flat Washer) & **1** (JCBC Ø0.24" × 1.18") using **HARDWARE 5** (Allen Key) as shown.





New
Classic®
FURNITURE

ASSEMBLY INSTRUCTIONS

Item No : T3772-3P

DECKER 3 PIECE OCCASIONAL SET- 1 COFFEE
& 2 END TABLES

STEP 7 : End Table

Turn the table upright. Assembly is complete.

