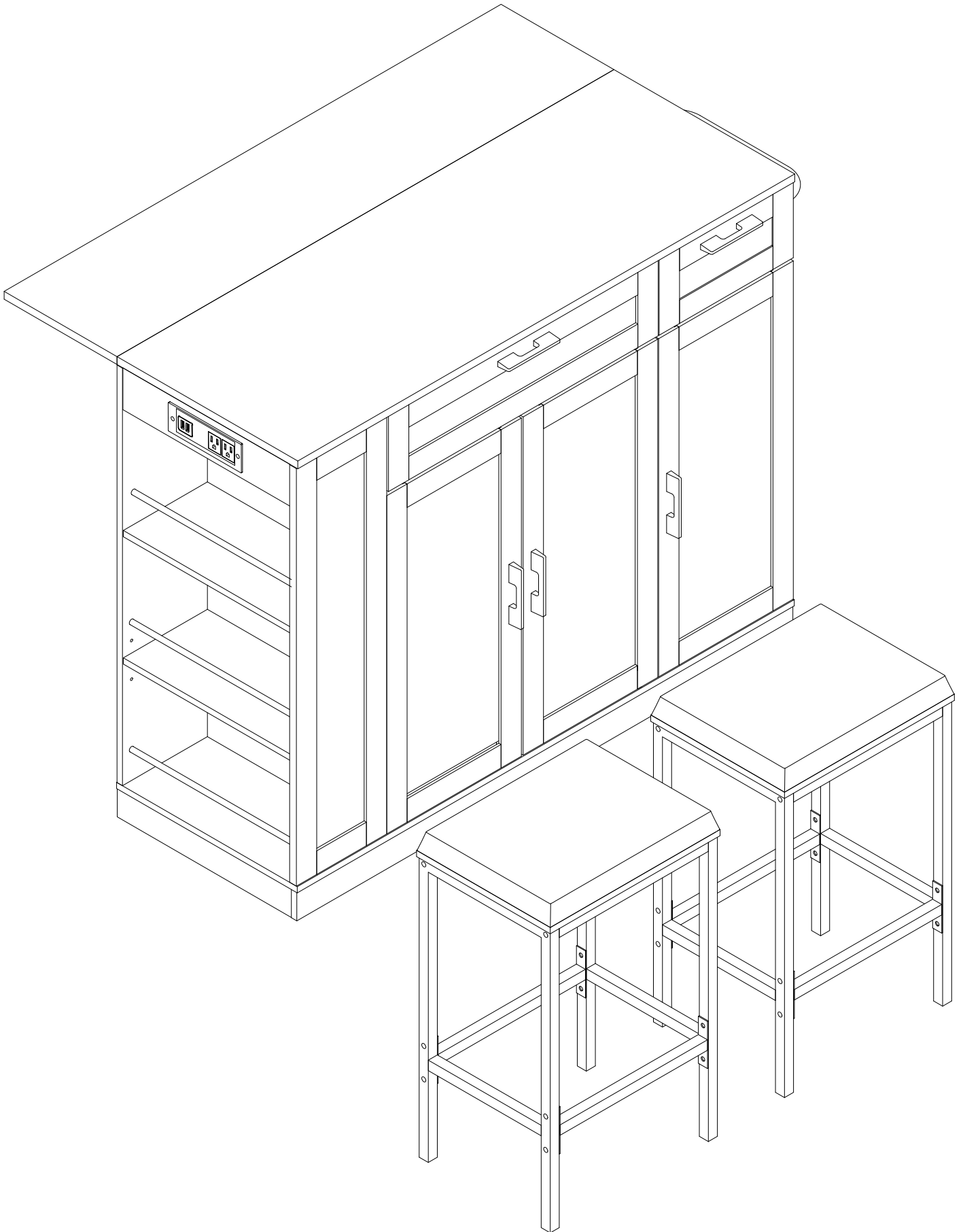


EAE01G2





IMPORTANT INFORMATION

READ CAREFULLY.

KEEP THIS INFORMATION FOR FURTHER REFERENCE.

GENERAL GUIDELINES

- Please read the following instruction carefully and use the product accordingly.
- Please keep this manual and hand it over when you transfer the product.
- This summary may not include every detail of all variations and considered steps. Please **contact us** when further information and help are needed.

NOTES

- Please follow the assembly instructions precisely and only use the product as intended.
- If an odor is present when first opening the package, please leave the unwrapped product in a shaded and ventilated area for a few days to air out.
- Prior to assembly, please check the product for defects or missing accessories. If any defects are found or accessories are missing, do not use product as damage or injury may occur; Please **contact us** for assistance and replacement.
- During assembly, please only slightly tighten all screws in their correct position first, then fully tighten them. A Philips screwdriver is recommended but not included.
- It is suggested you regularly check the products bolts and connections to ensure safe use.
- Assemble the item on a soft flat and clean surface to avoid scratches and damage.
- It is recommended that two people assemble this product.

WARNINGS

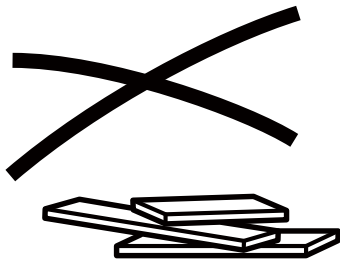
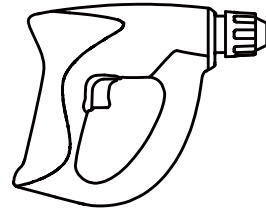
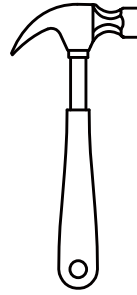
- During assembly, keep parts and packaging materials away from children and pets as there could cause injury and are a potential choking hazard.
- Avoid sharp objects or corrosive chemicals to prevent damage to the product.
- Please open the item slowly and cautiously to avoid pinching your hands by metal joints, especially children.

ANTI-TIP WARNING

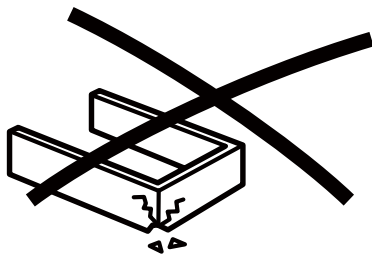
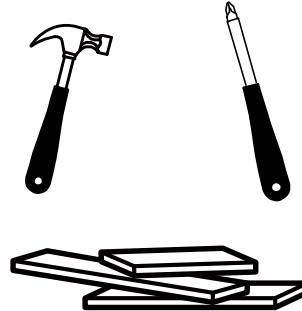
- Serious or fatal crushing injuries can occur from furniture tip-over. To prevent this furniture from tipping over it must be permanently fixed to the wall.
- Since different wall materials require different types of fixing device, for advice on suitable fixing systems, contact your local specialized dealer.

Tools Needed

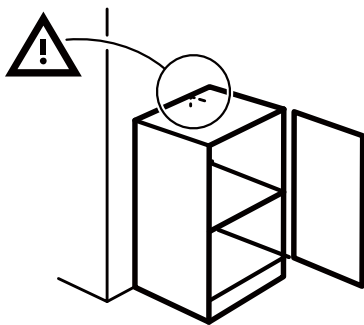
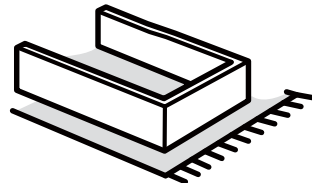
(not included)



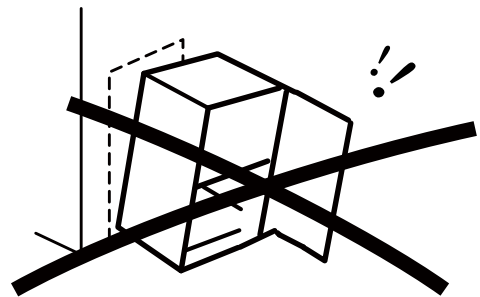
Prepare Tools
Instead of
Coming Empty
Handed



Handle Gently



Gently Push
Against the
Wall and Do
Not Tip Over



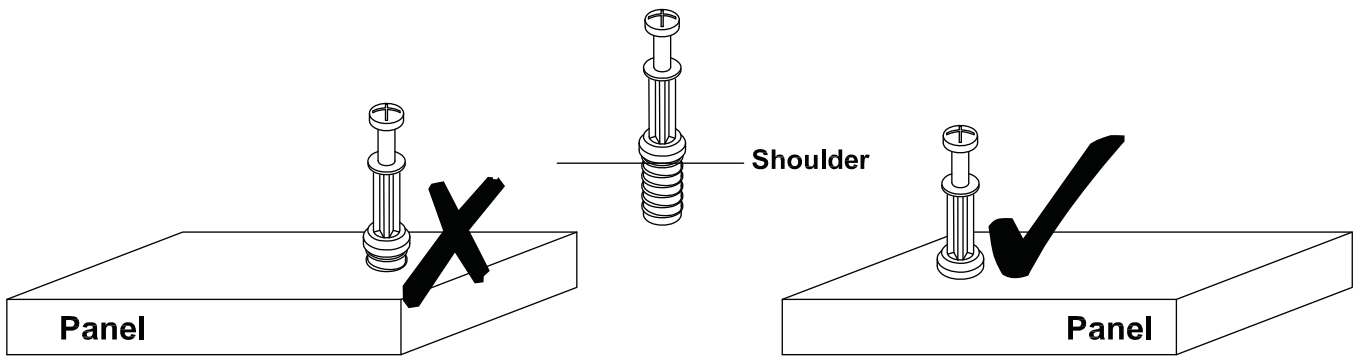
Tips:

- If you have any questions, please feel free to contact us, We will reply ASAP .
- Before installation, please make sure you have all the hardware, the serial numbers are properly labeled corresponding to the list, and the quantity is correct.
- Enjoy your new purchase!

USING CAM LOCK AND QUICKFIT

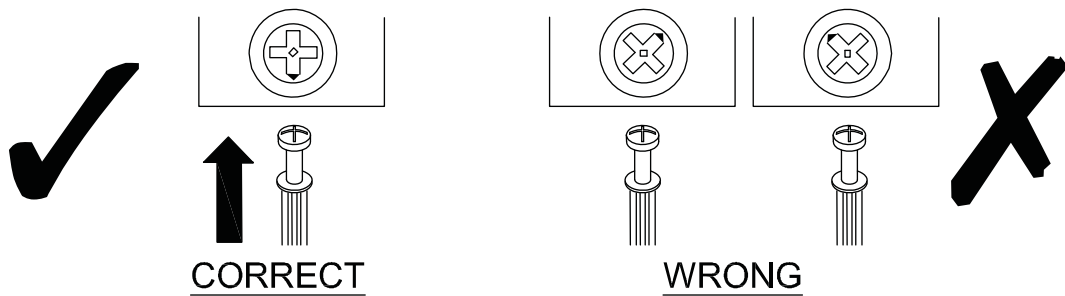
Tips before you start:

QUICKFIT



Tighten quickfit until shoulder is flush with panel. Do not overtighten or undertighten.

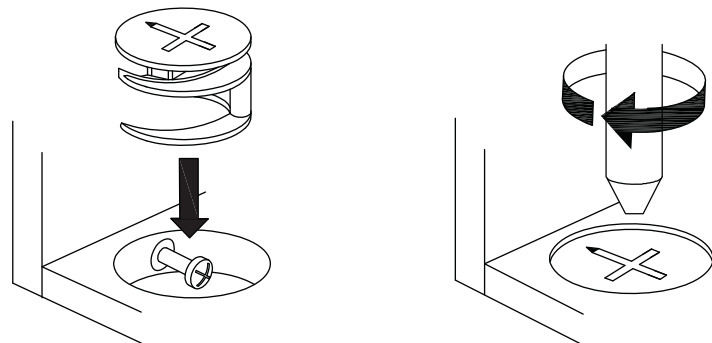
CAM LOCK



When fitting cam lock, ensure starting position is correct before you insert connecting quickfit.

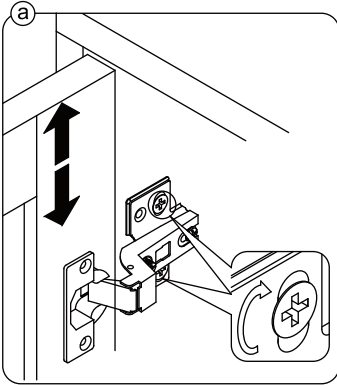
Quickfit head should be in the centre of the cam lock when the two panels are joined.

Cam lock should be inserted before quickfit.

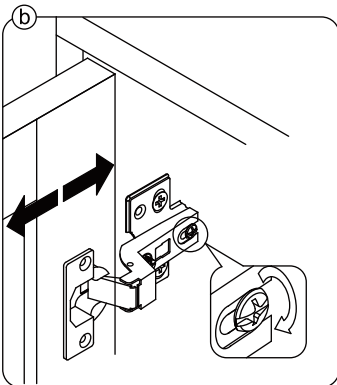


Turn cam lock clockwise to tighten.

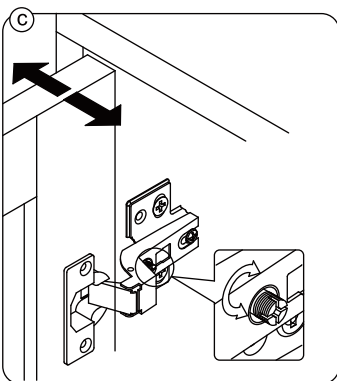
Sometimes the hinges need to be adjusted to align the doors better. Use the instructions below as a guide.



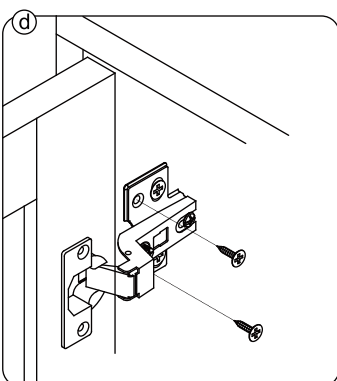
Adjust the door panel vertically up and down,
Please loosen the screw as shown in the picture.
And move the door panel up and down as needed.



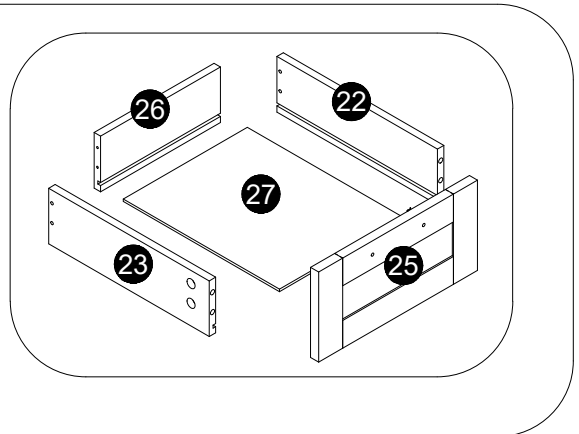
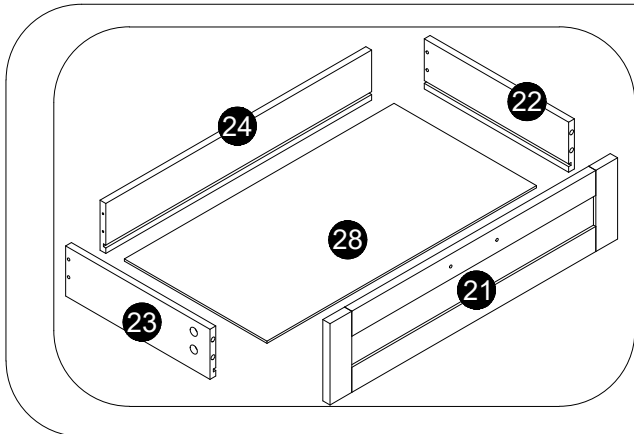
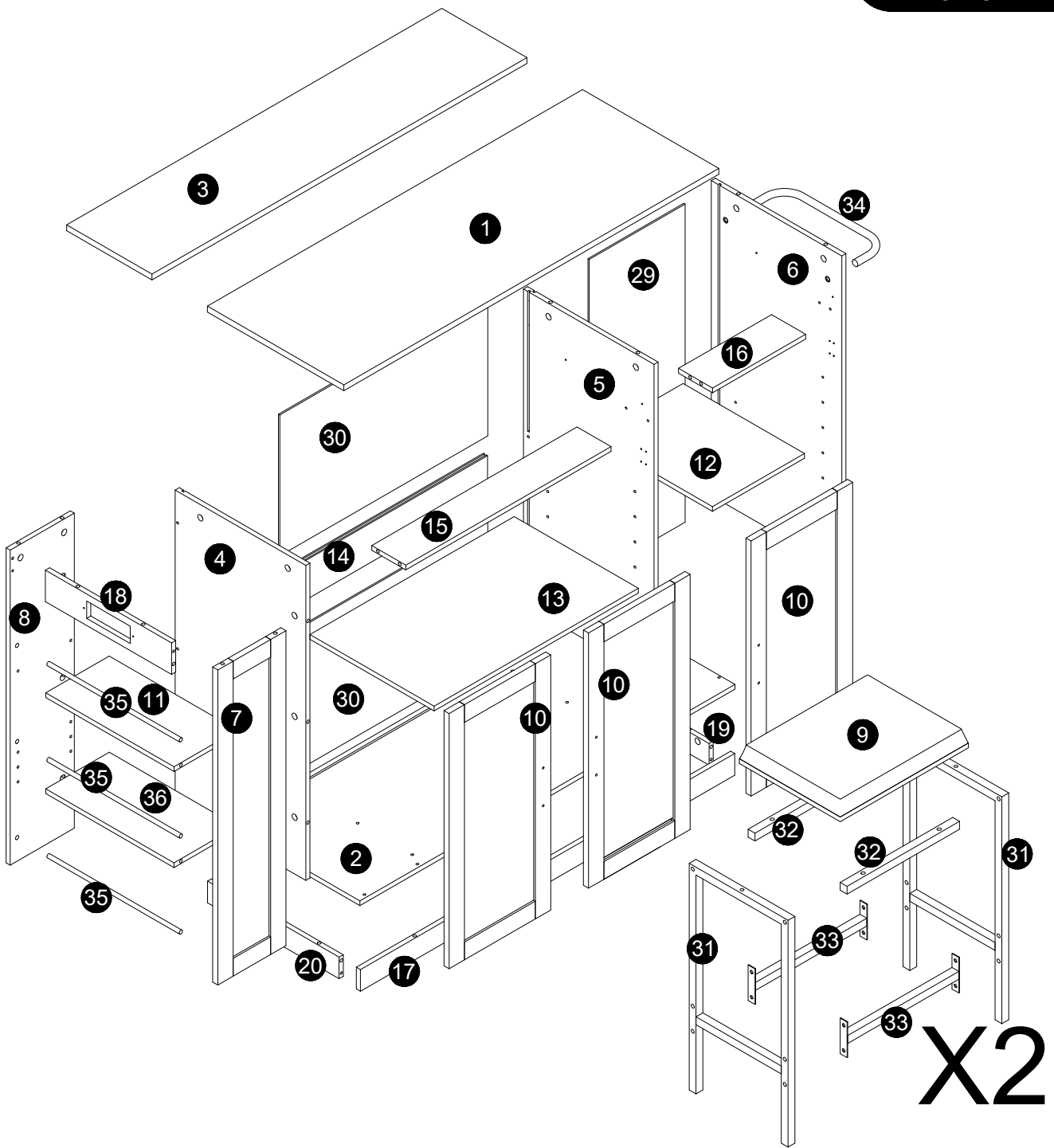
Adjust the clearance between the door panel and
the main frame by turning the screw clockwise or
counterclockwise as needed.

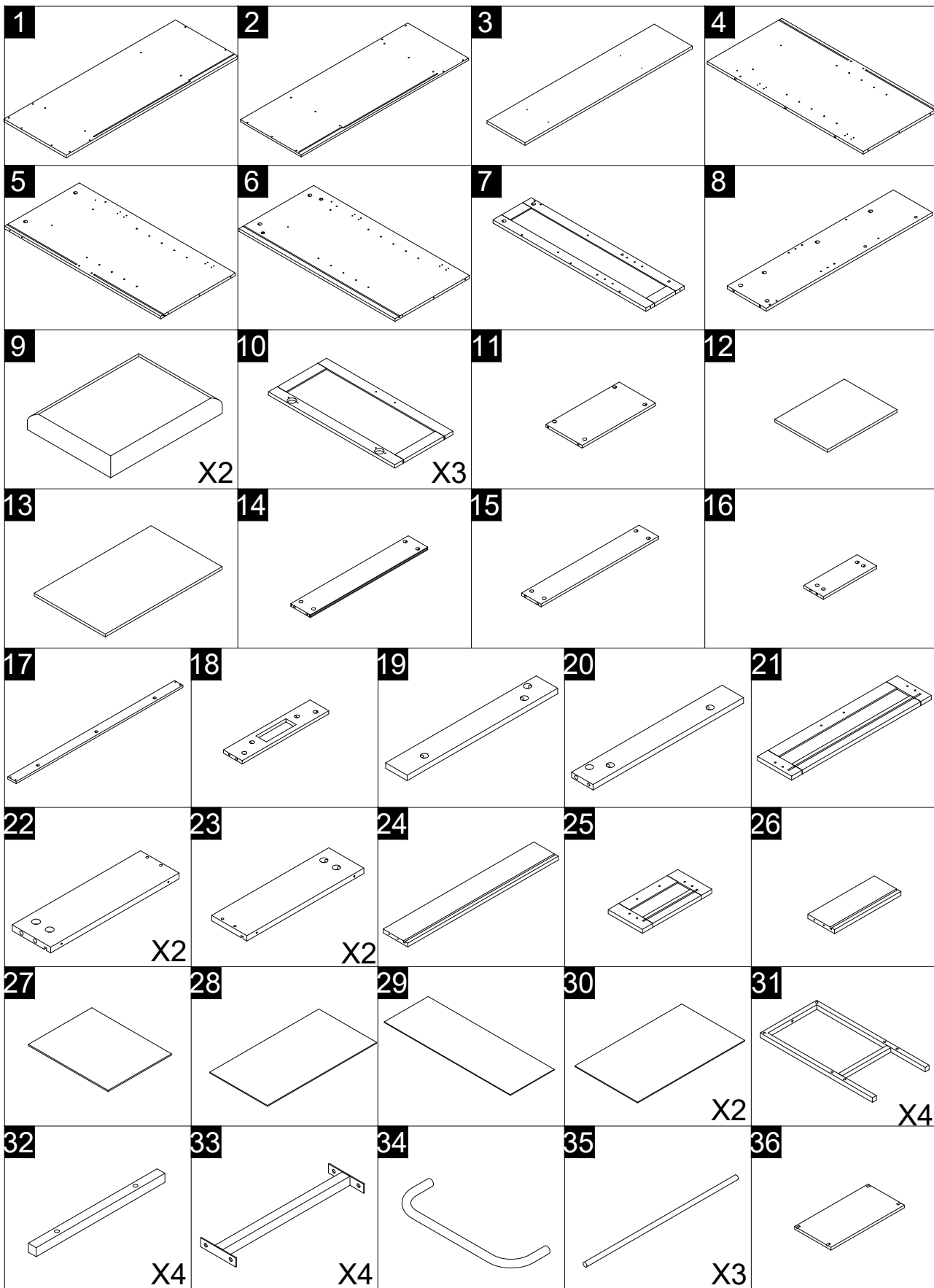


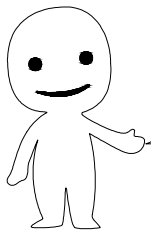
To adjust the lateral movement of the door panel,
turn the adjusting screw clockwise or
counterclockwise as shown.



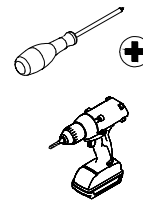
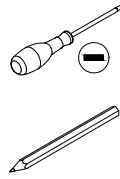
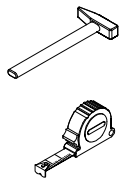
Please fix other screws





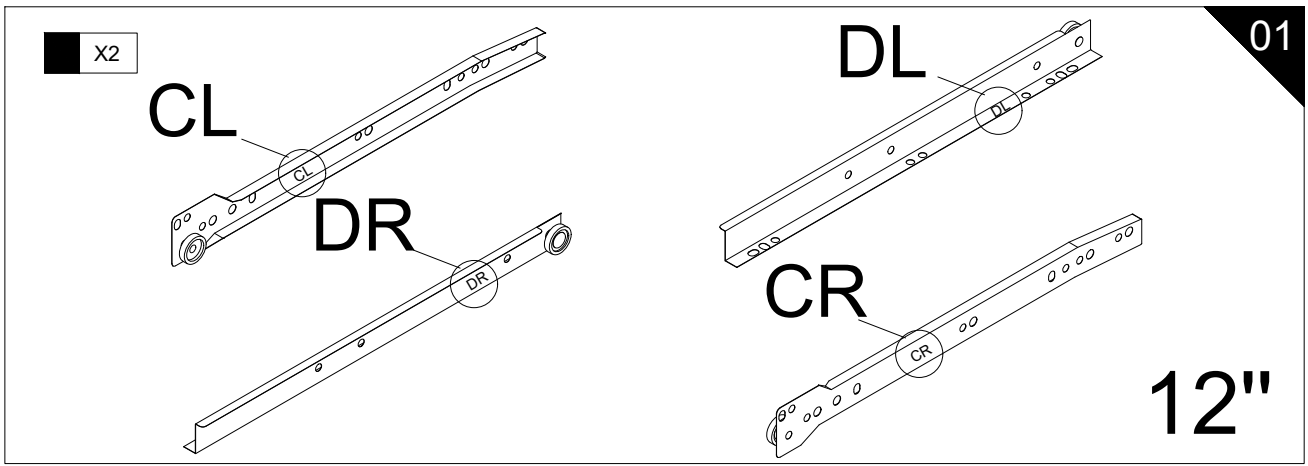


Please prepare the following tools



		When installing, please carefully confirm whether each screw corresponds to the manual, accessories with similar shapes can be distinguished by size
--	--	--

A X18+2 M3.5*12	B X2+1 M6*30	C X55+2 M4*20	D X55+2 M6*10
E X4+1 M6*30	F X13+1 M5*38	G X1 M3.5*14	H X32+1 M3.5*14
I X12+1 M3.5*40	J X4+1 M4	K X1 M4*20	L X40+2 M3.5*14
M X12 M6*30	N X5 M6*30	O X10 M4*20	P X1 M6*30
Q X2 M6*30	S X1 M6*30	T X12+2 M6*35	U X8+1 M6*40
V X12+1 M3.5*12	W X1 M3.5*12	X X1 M6*35	TOOL



X2

01

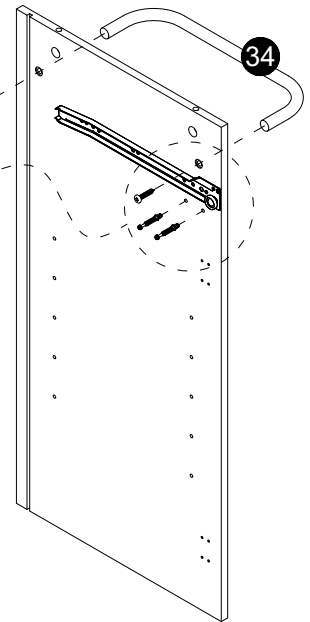
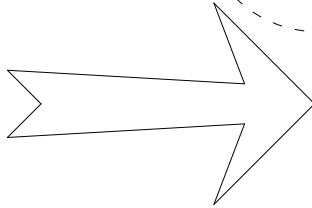
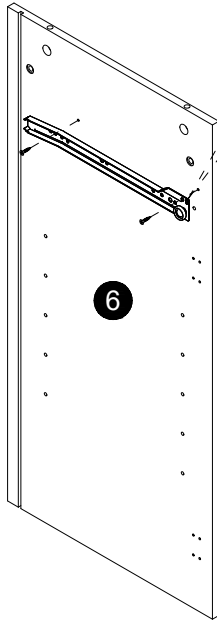
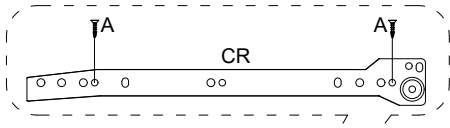
02

CR X1

A X2

B X2

C X2

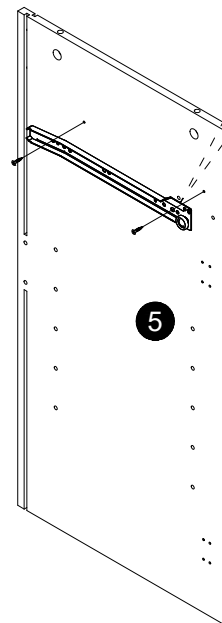
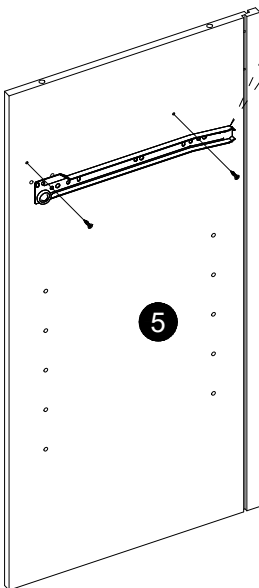
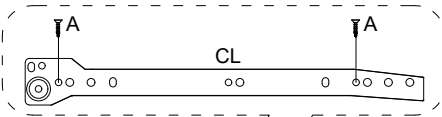


03

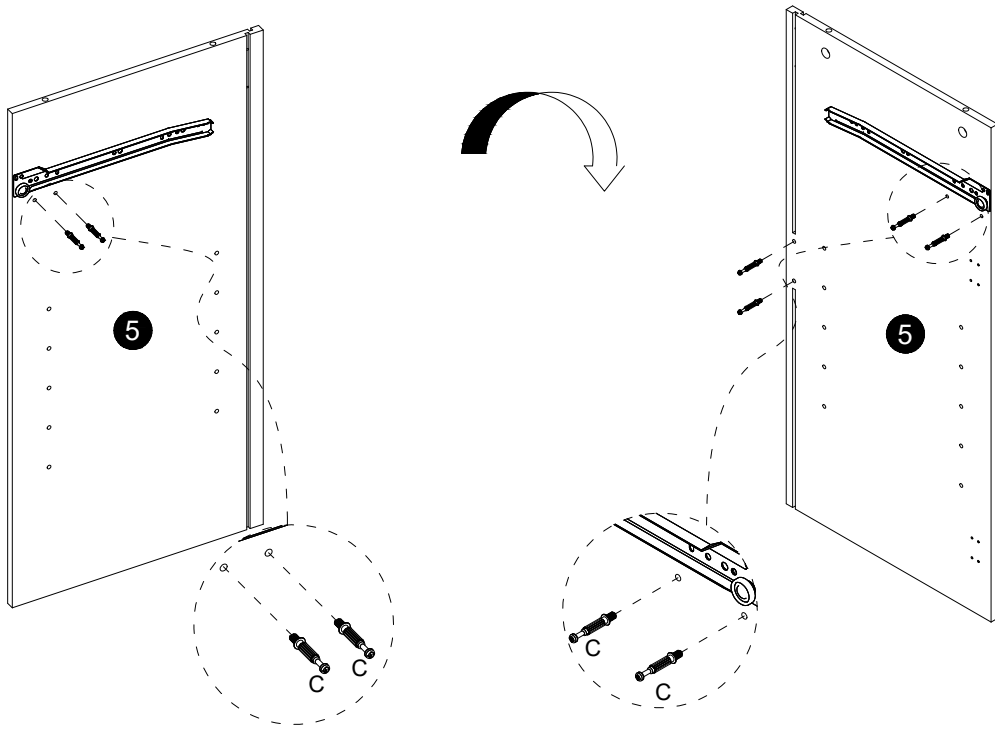
CL X1

CR X1

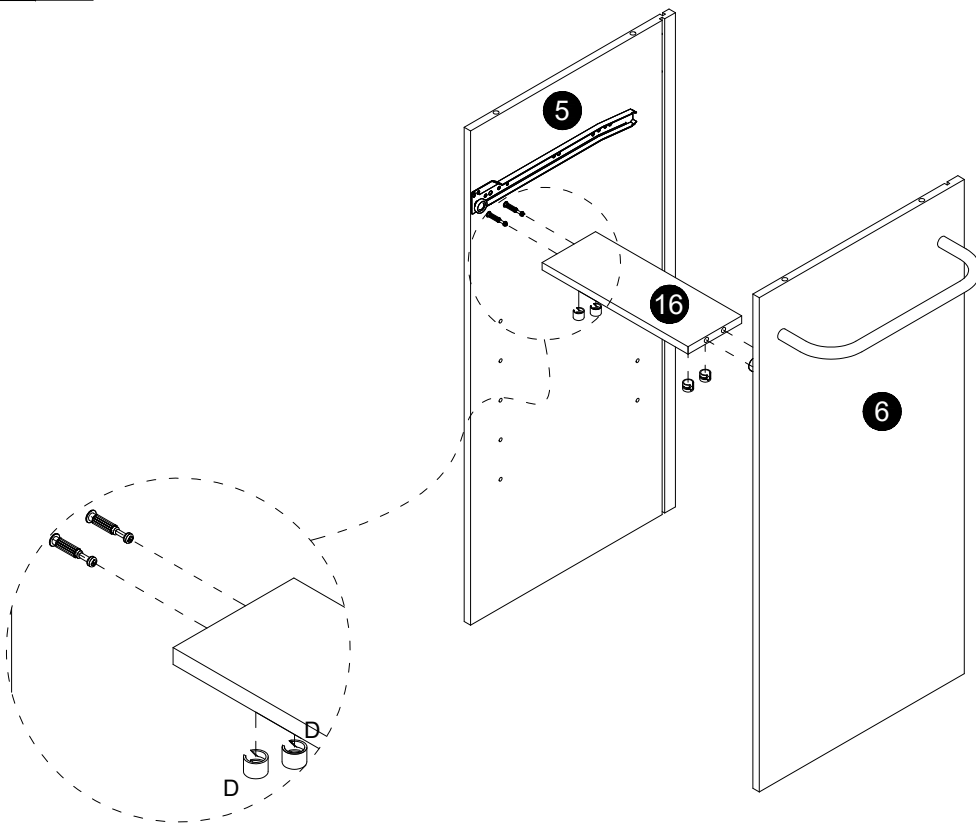
A X4



C X6



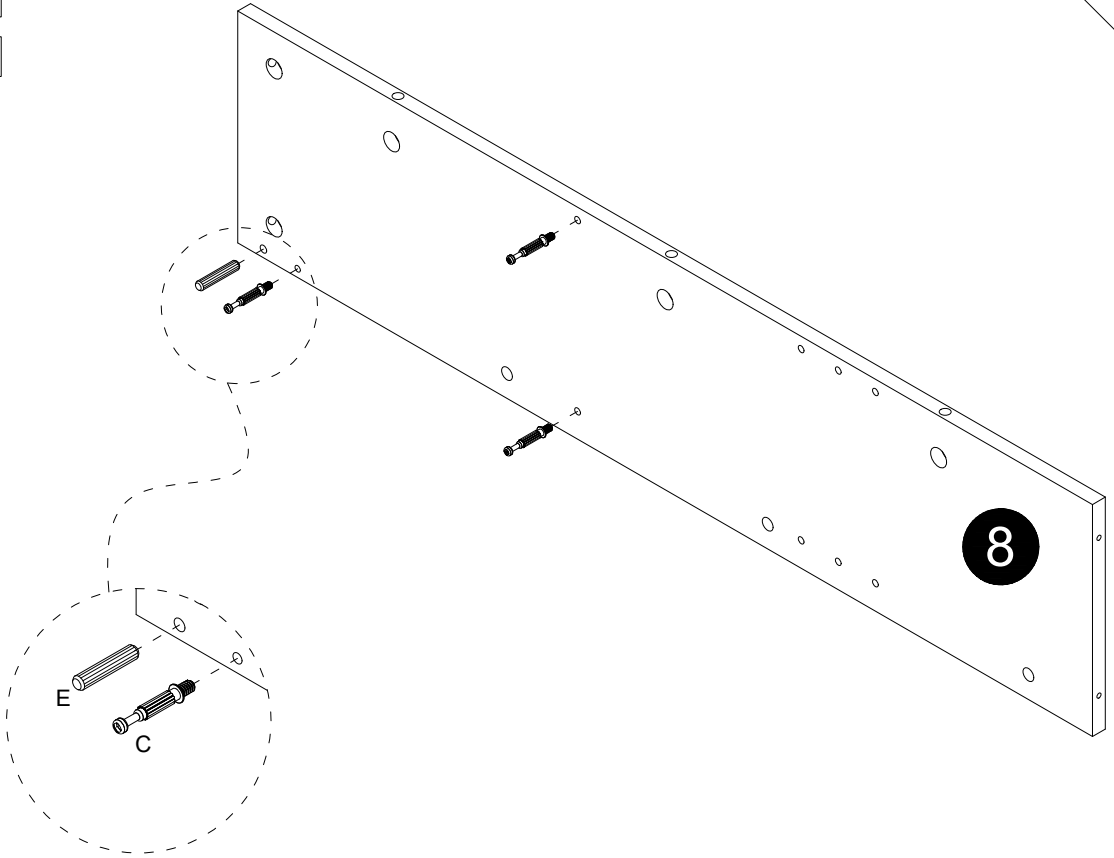
D X4



06

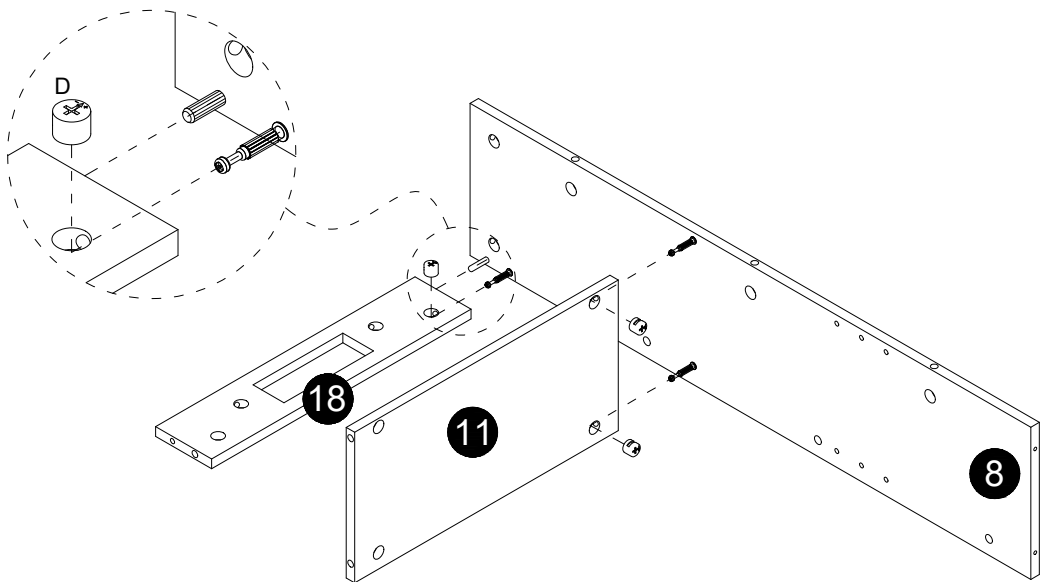
C X3

E X1



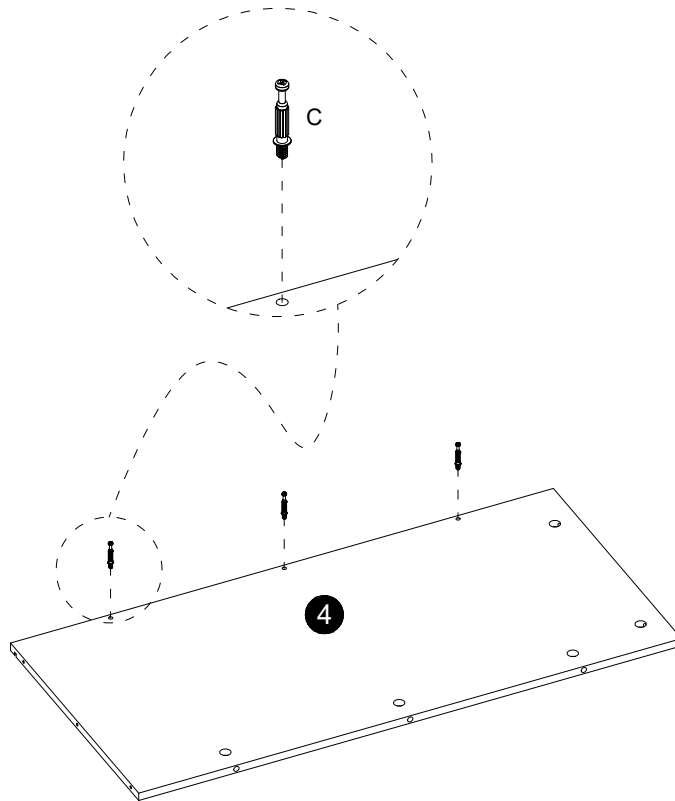
07

D X3



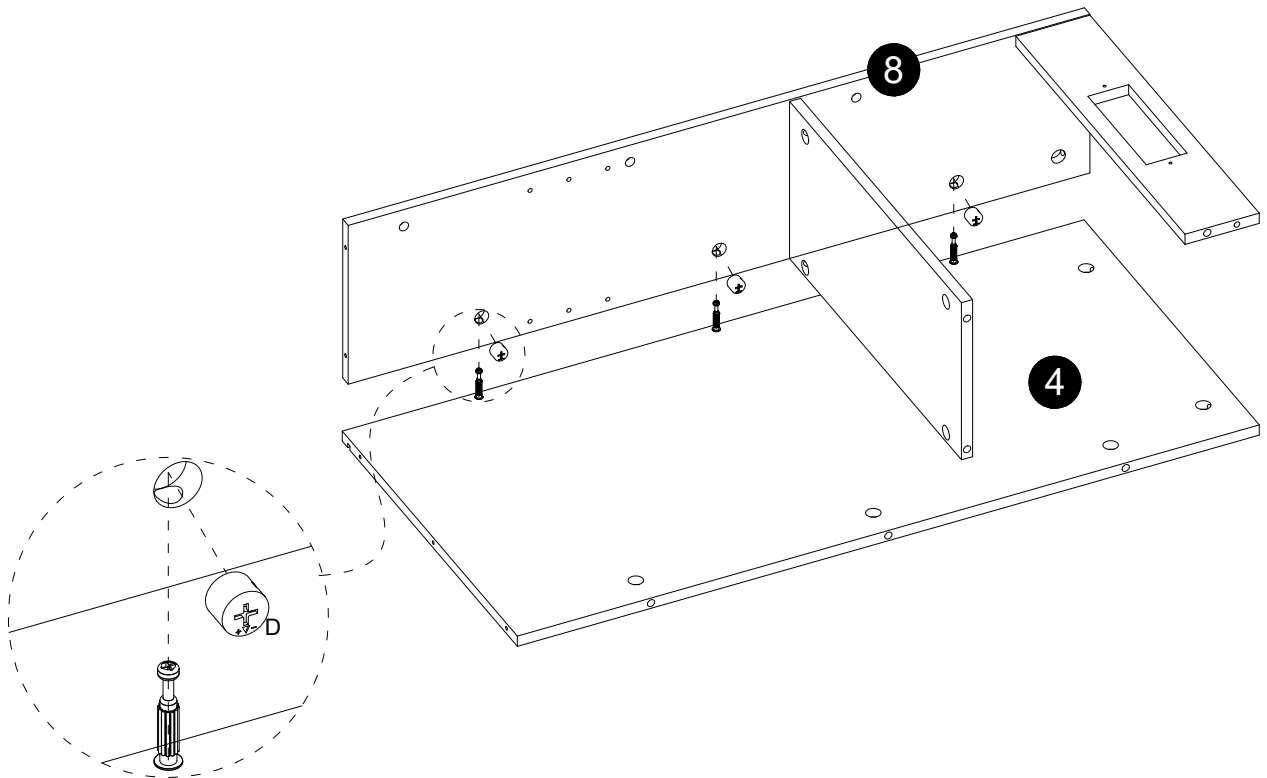
C X3

08



D X3

09

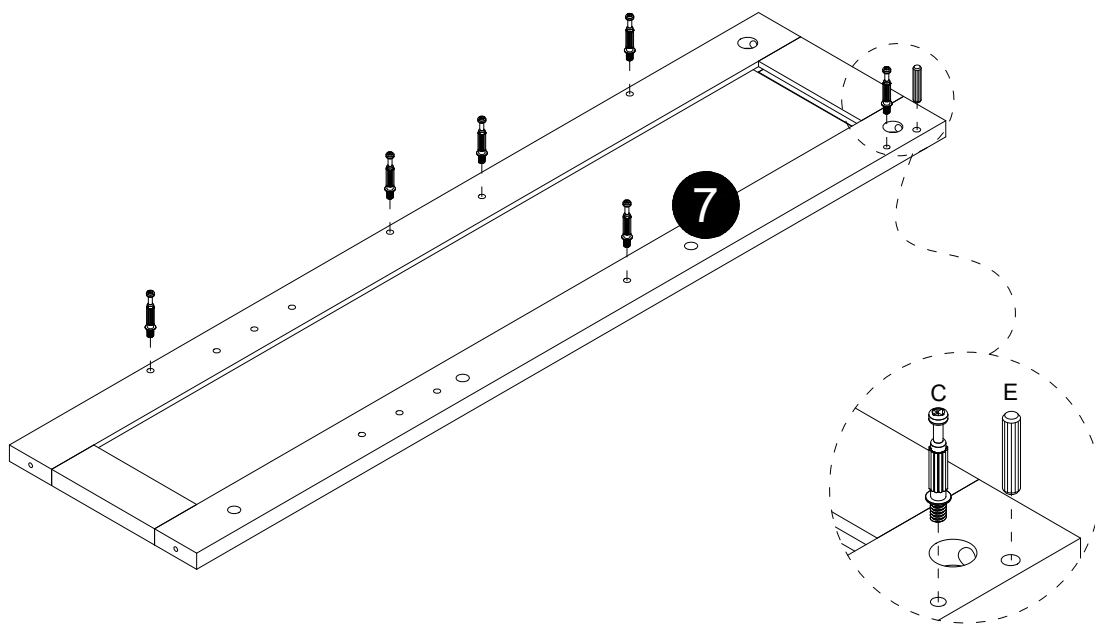


6

C X6

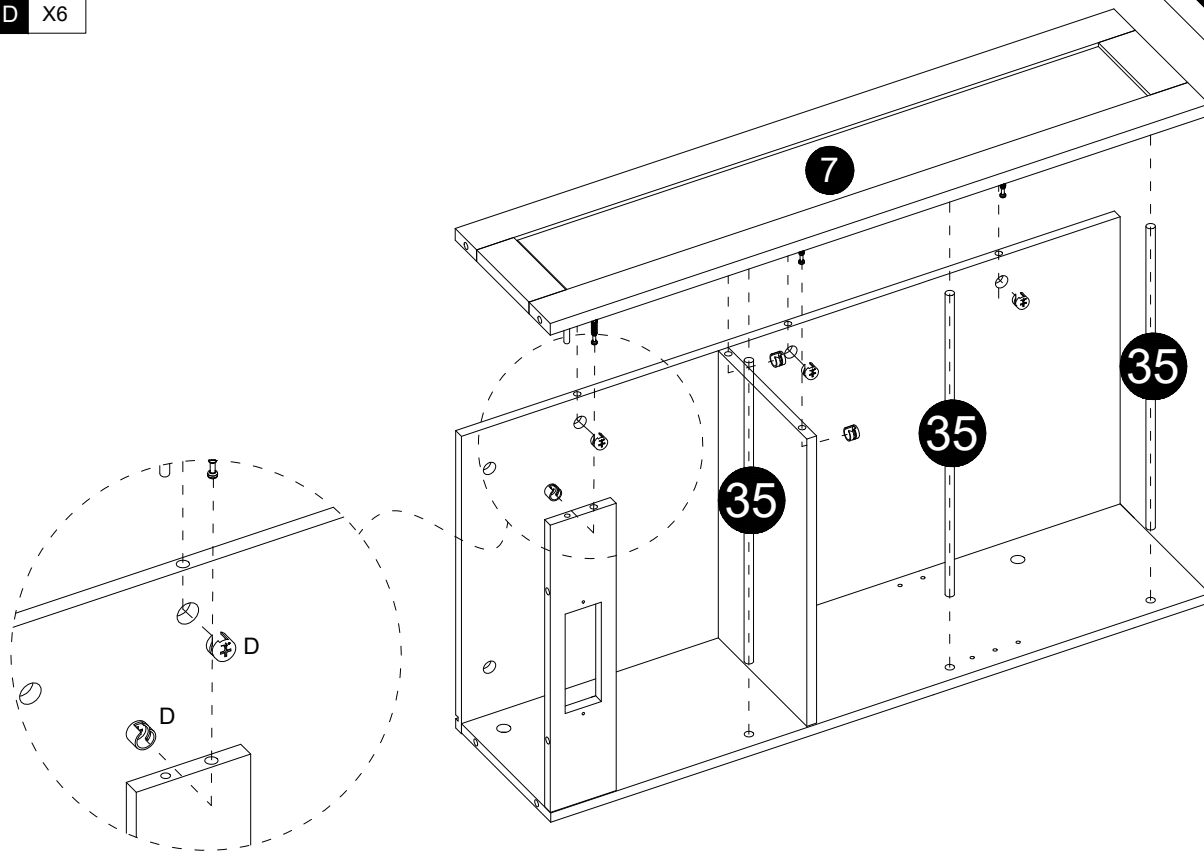
E X1

10



D X6

11

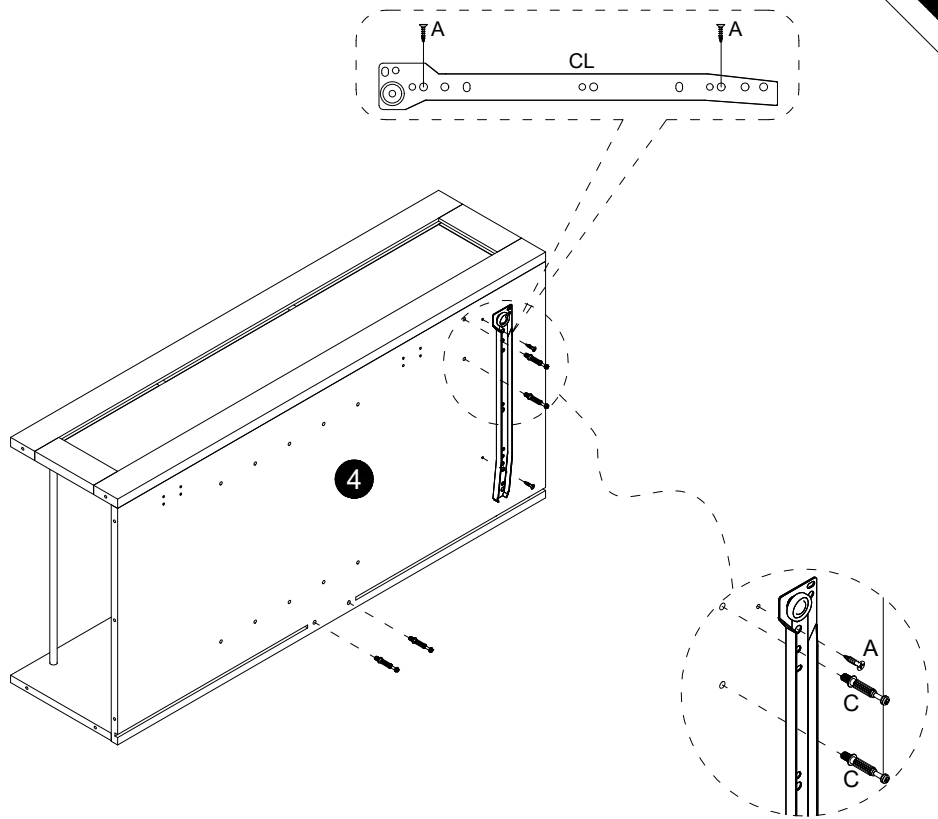


7

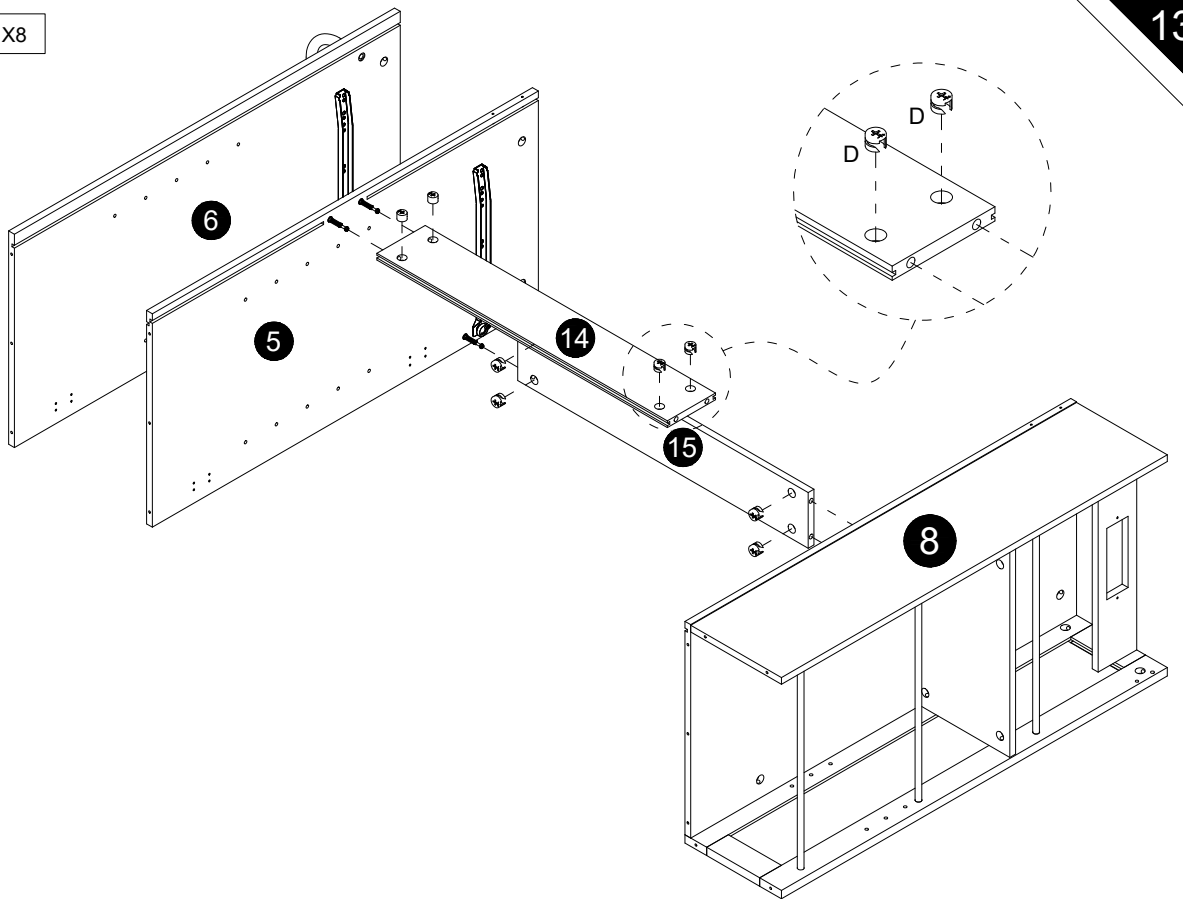
CL X1

A X2

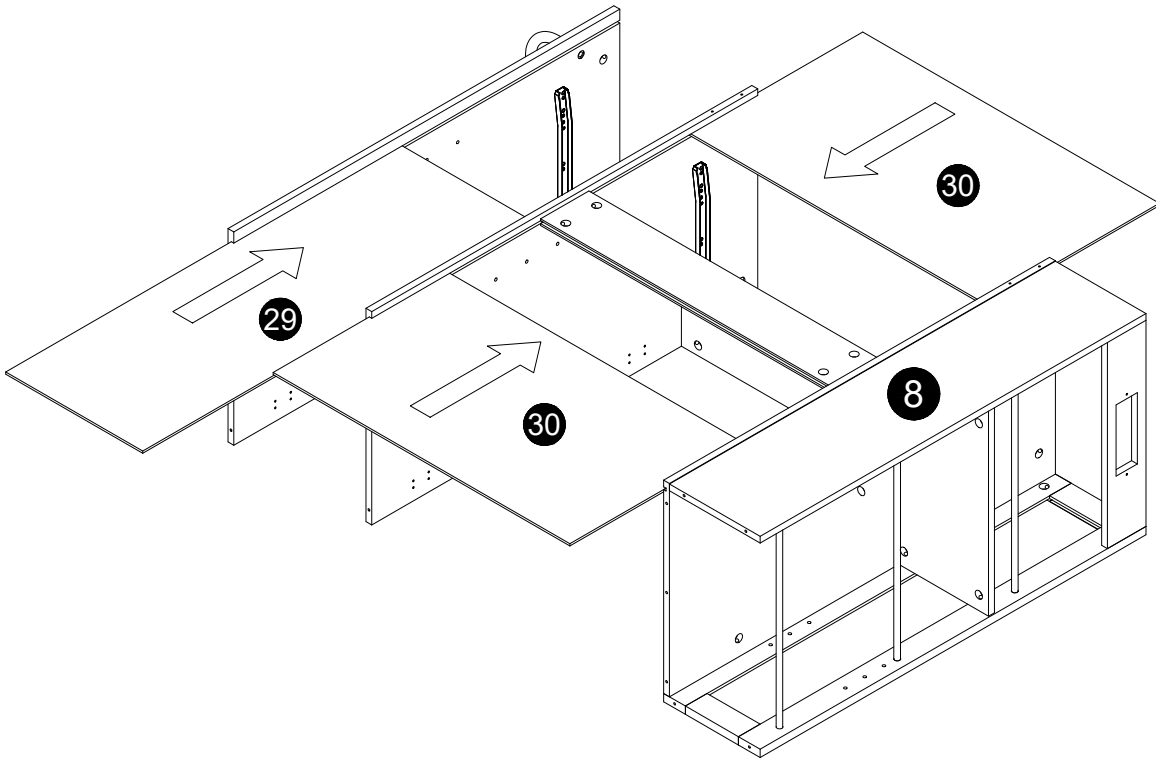
C X4



D X8

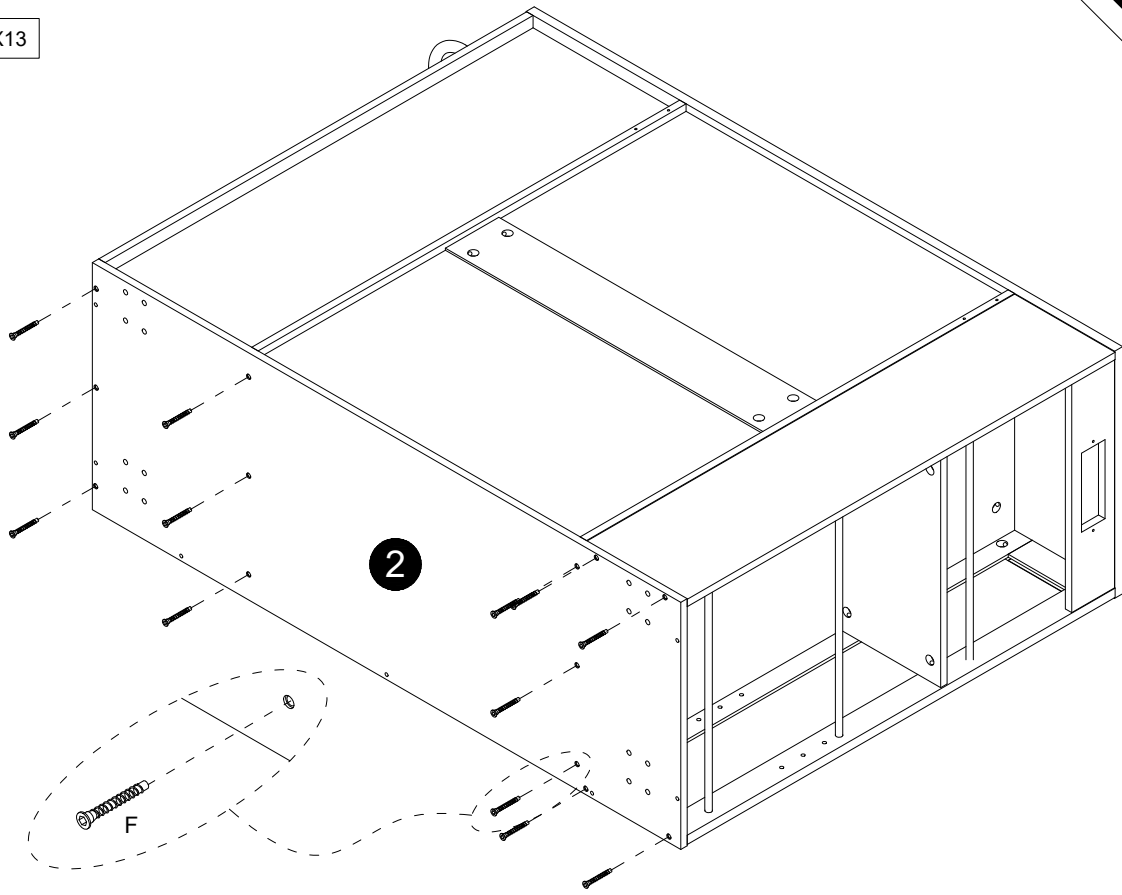


14



F X13

15

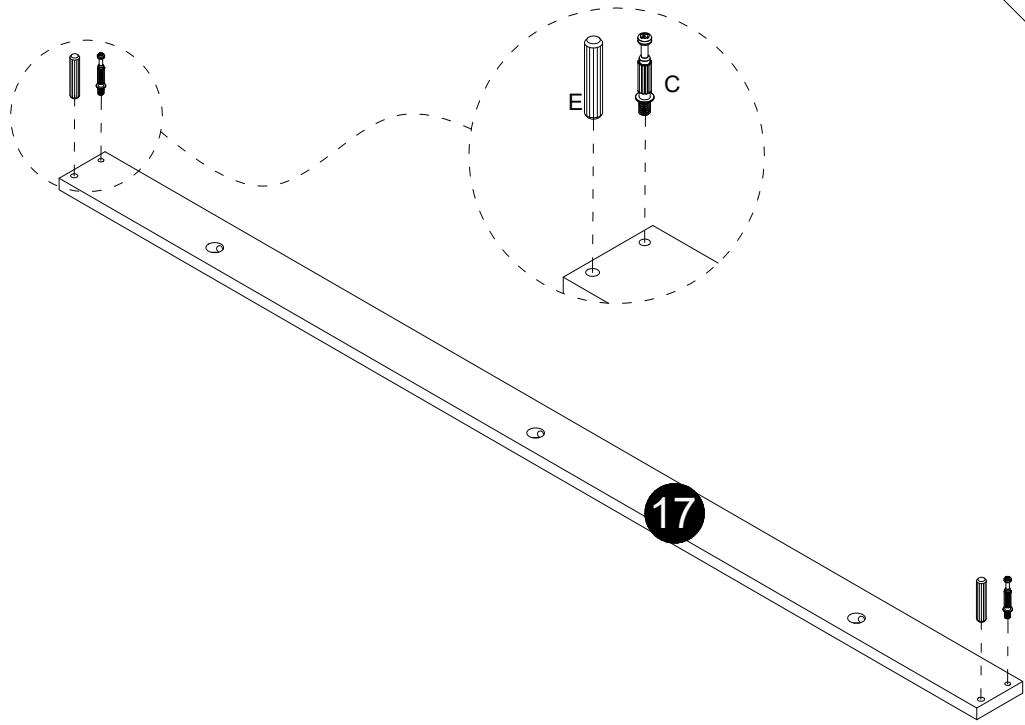


9

16

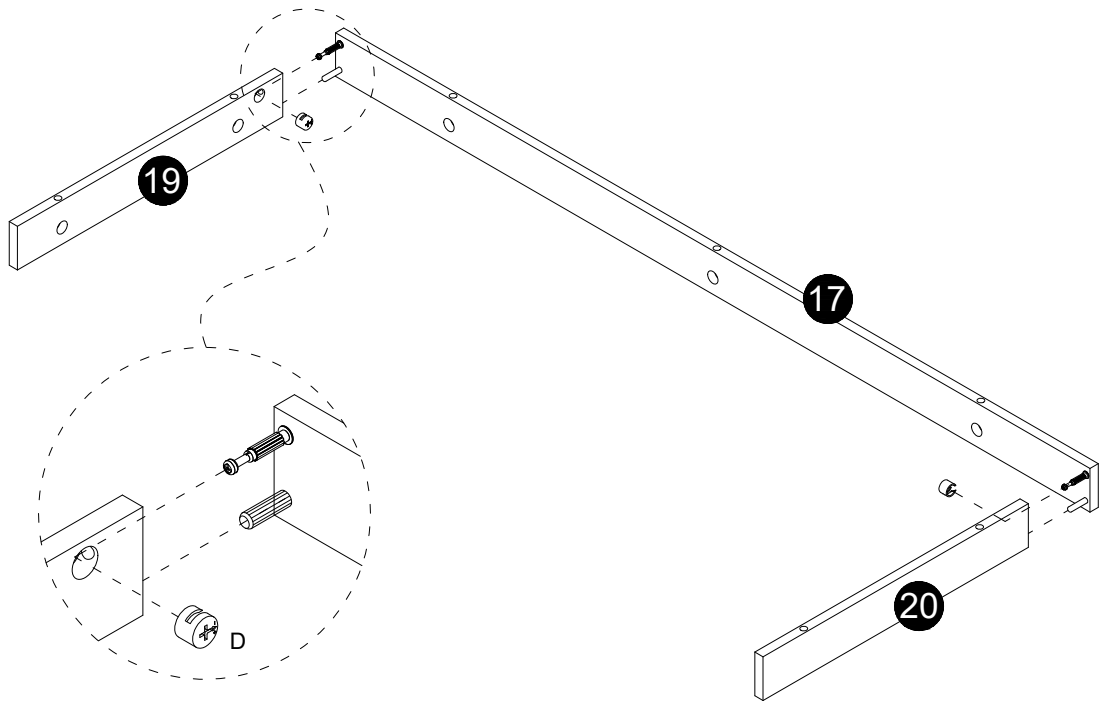
C X2

E X2



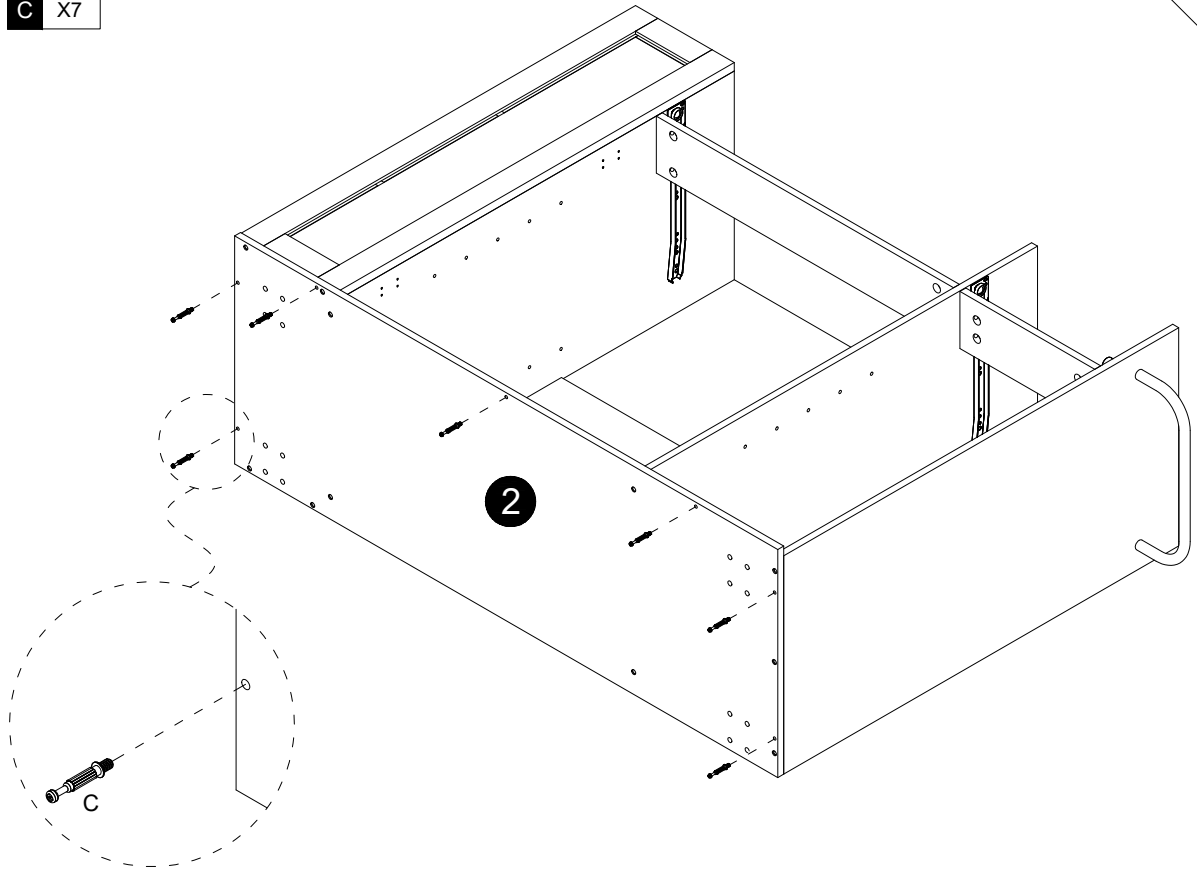
17

D X2



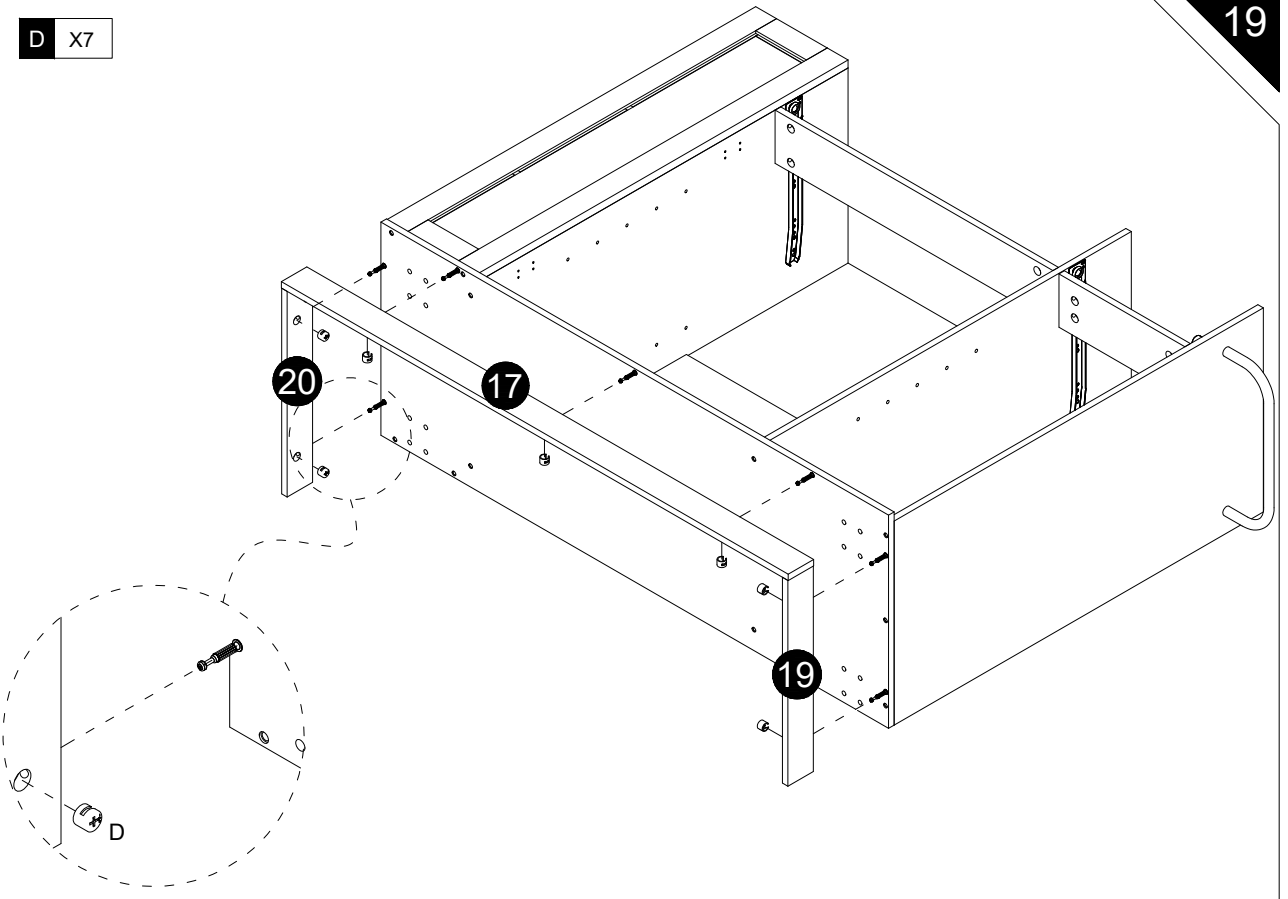
C X7

18



D X7

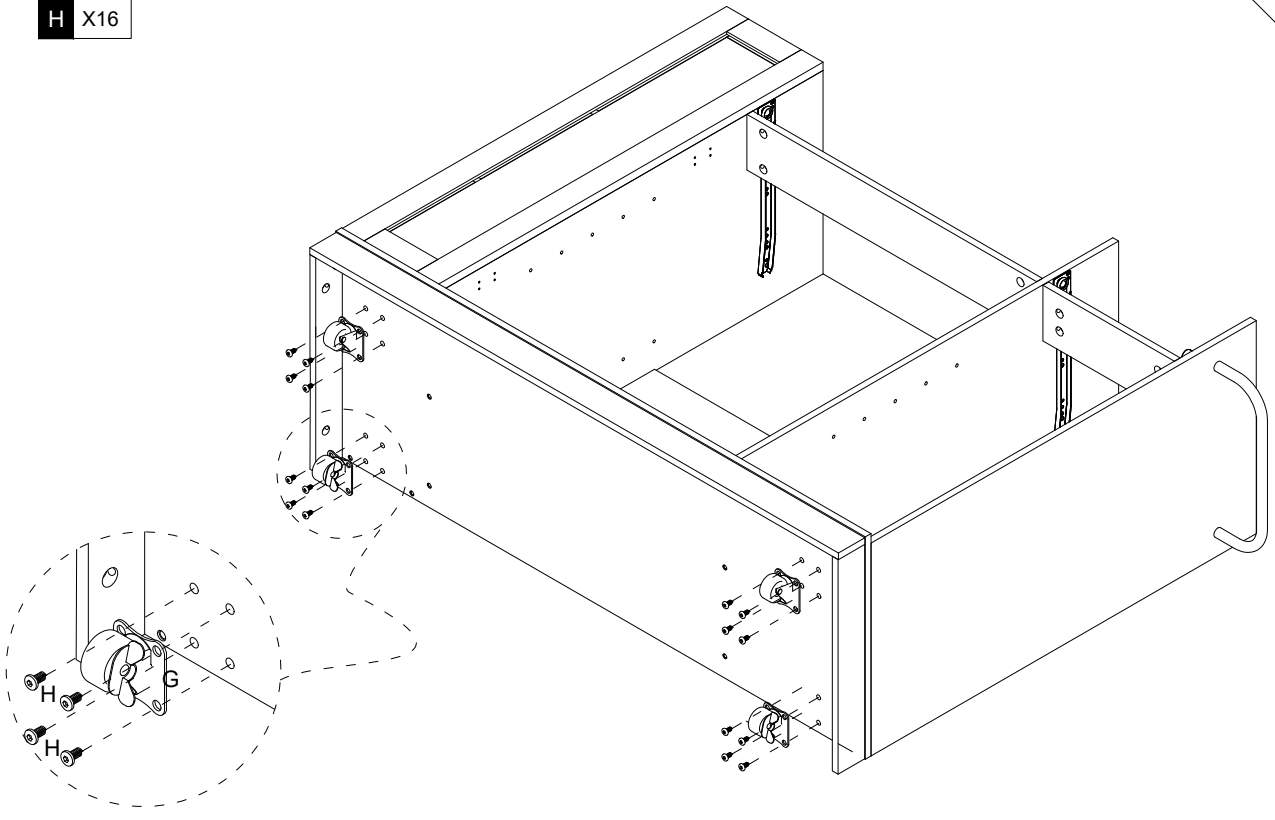
19



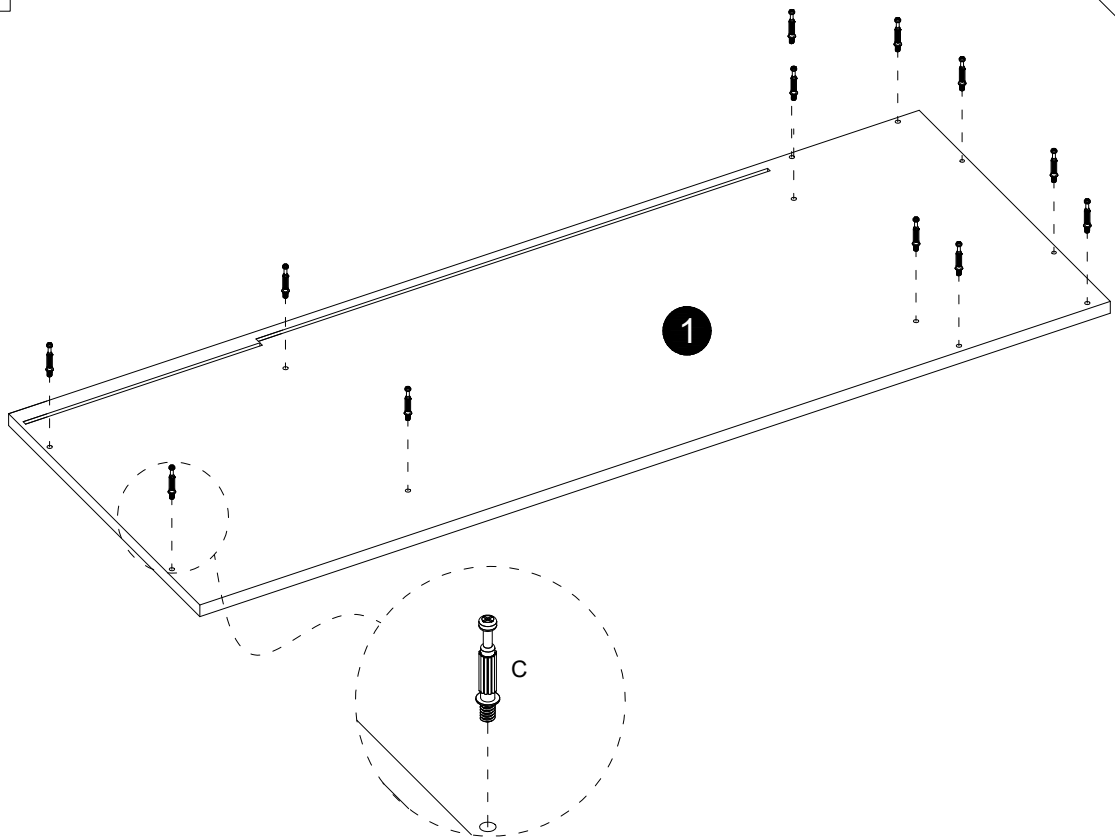
G X1

Note: Wheels with brakes are mounted in the back.

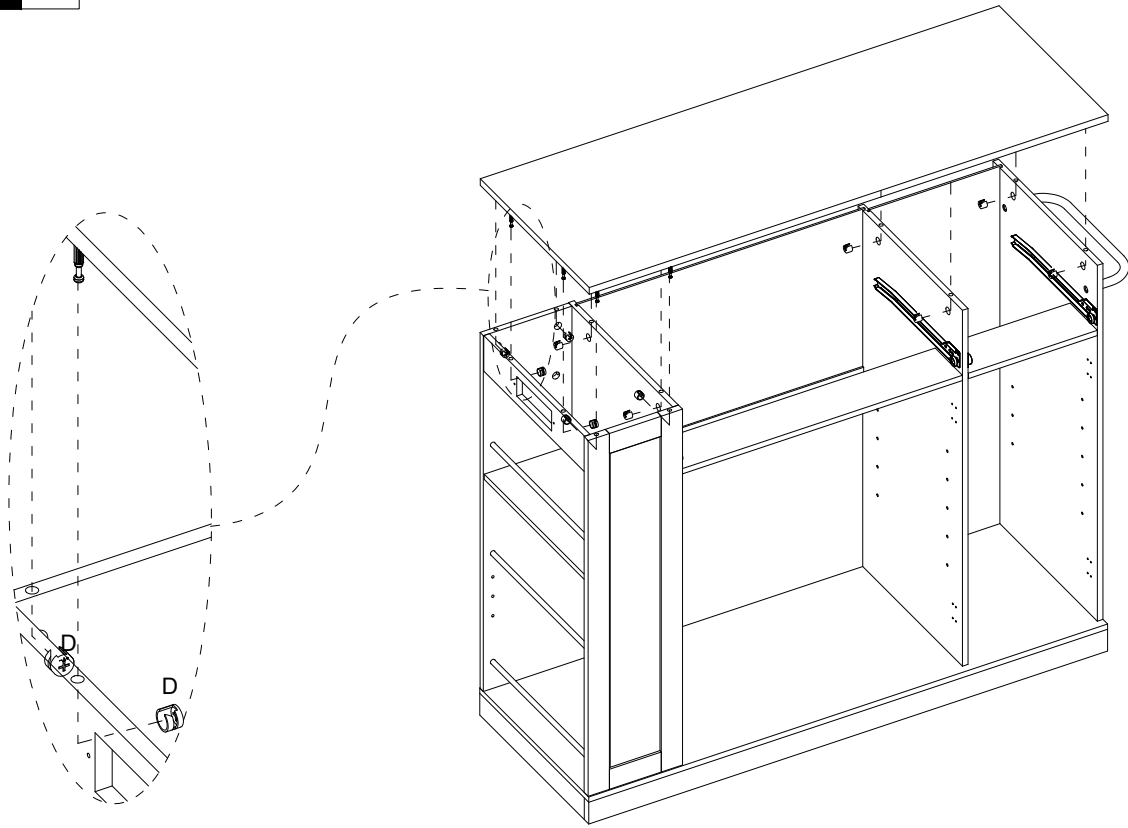
H X16



C X12

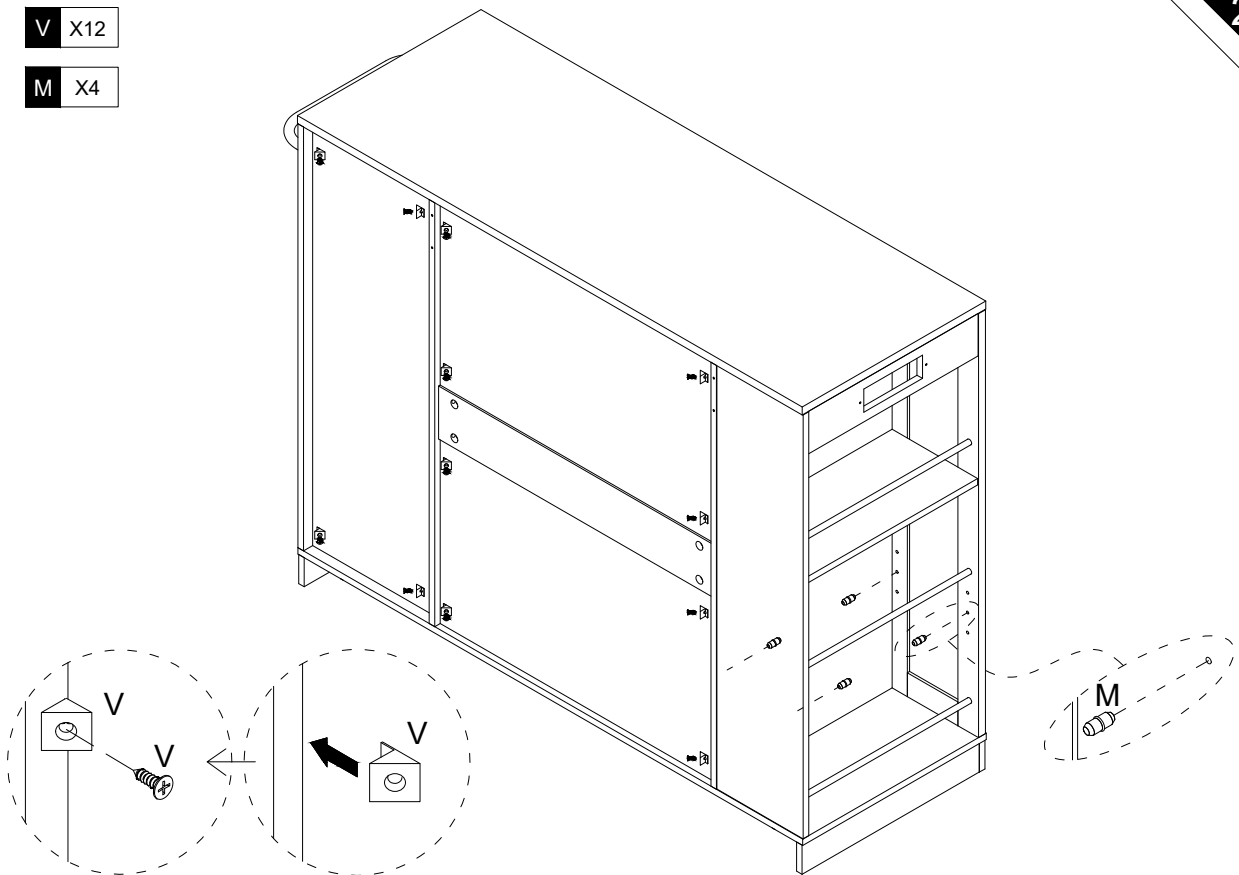


D X12



V X12

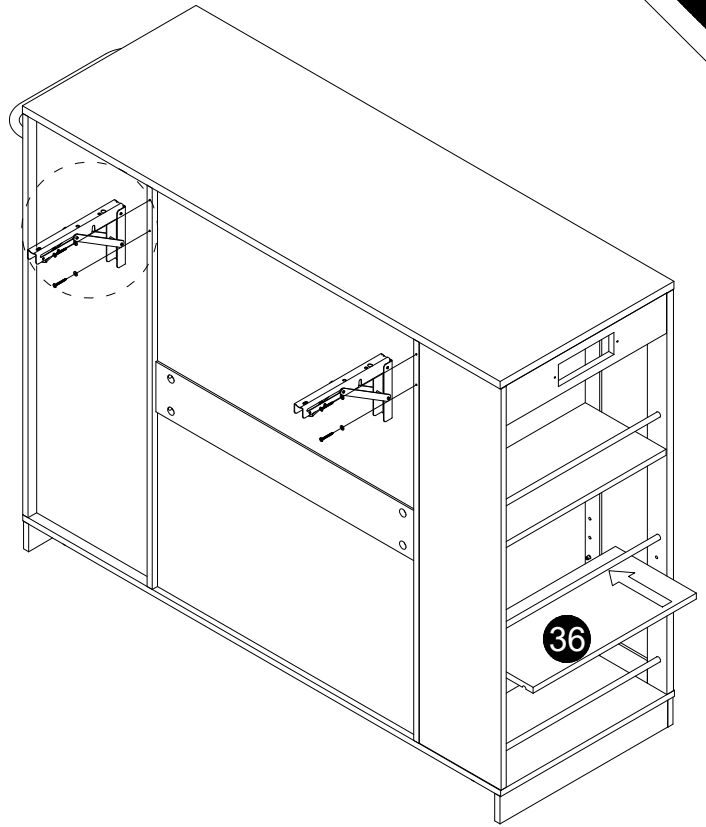
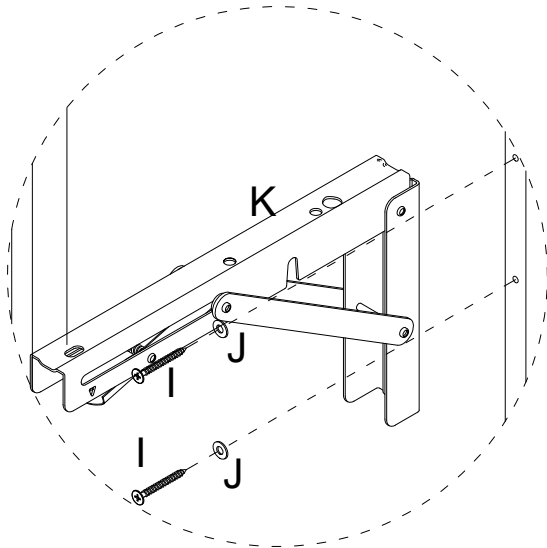
M X4



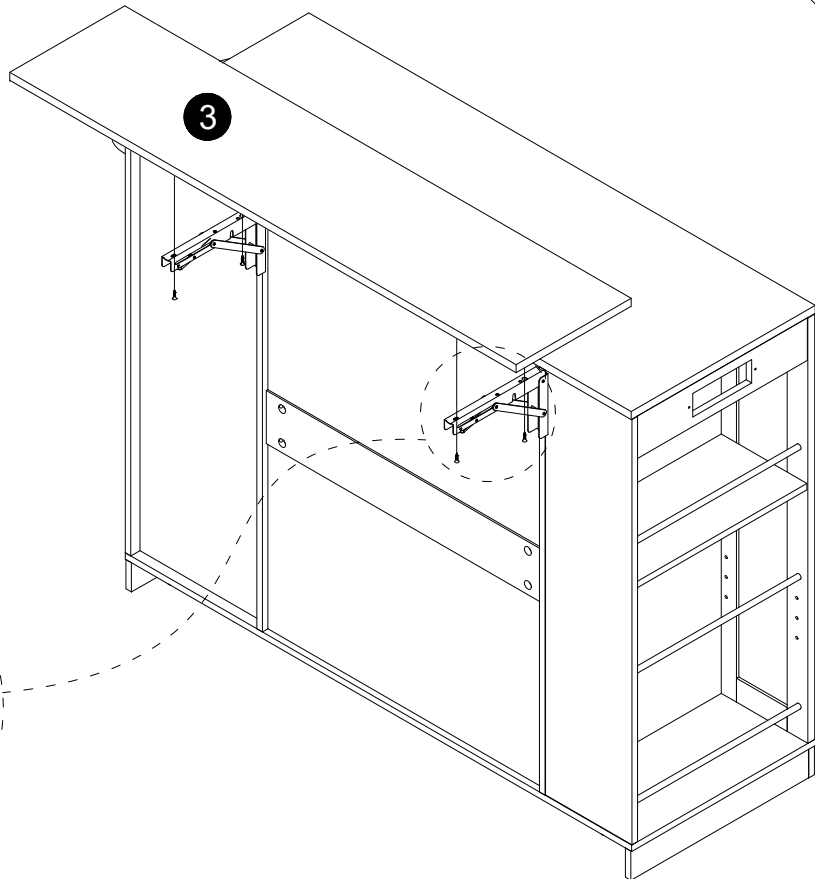
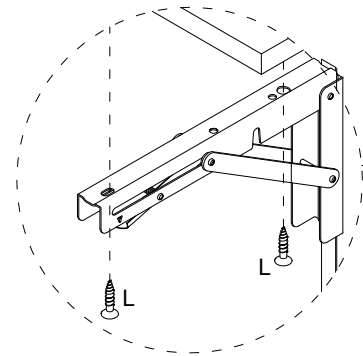
I X4

J X4

K X1

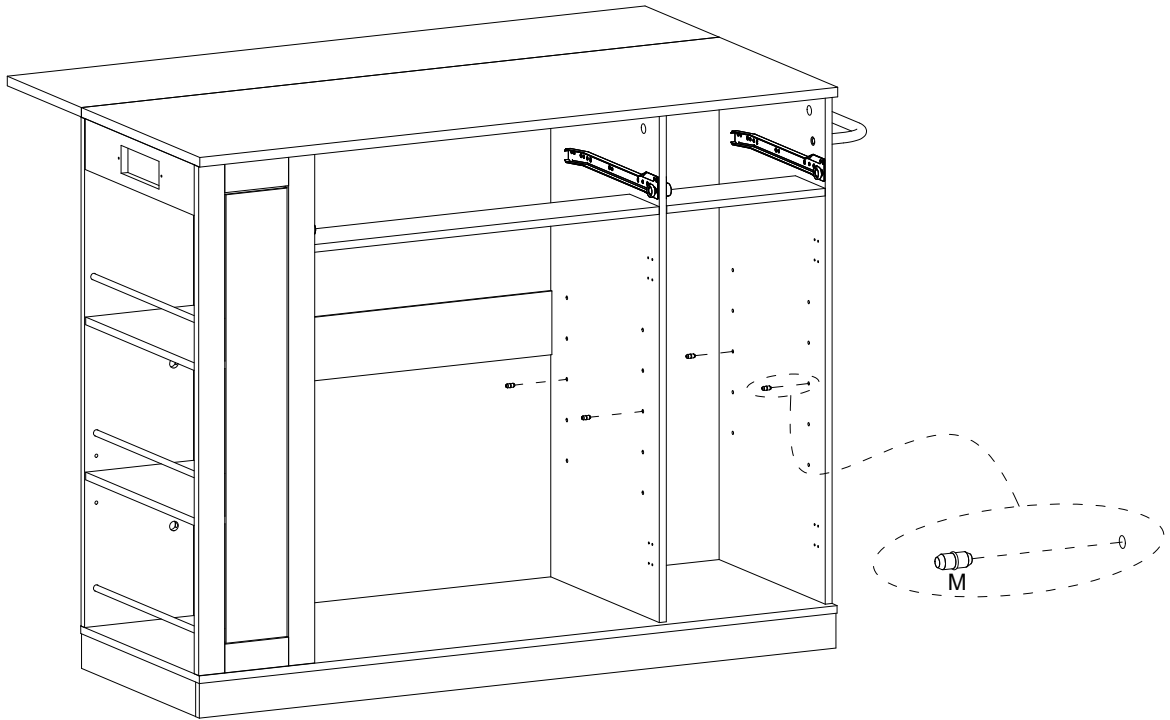


L X4

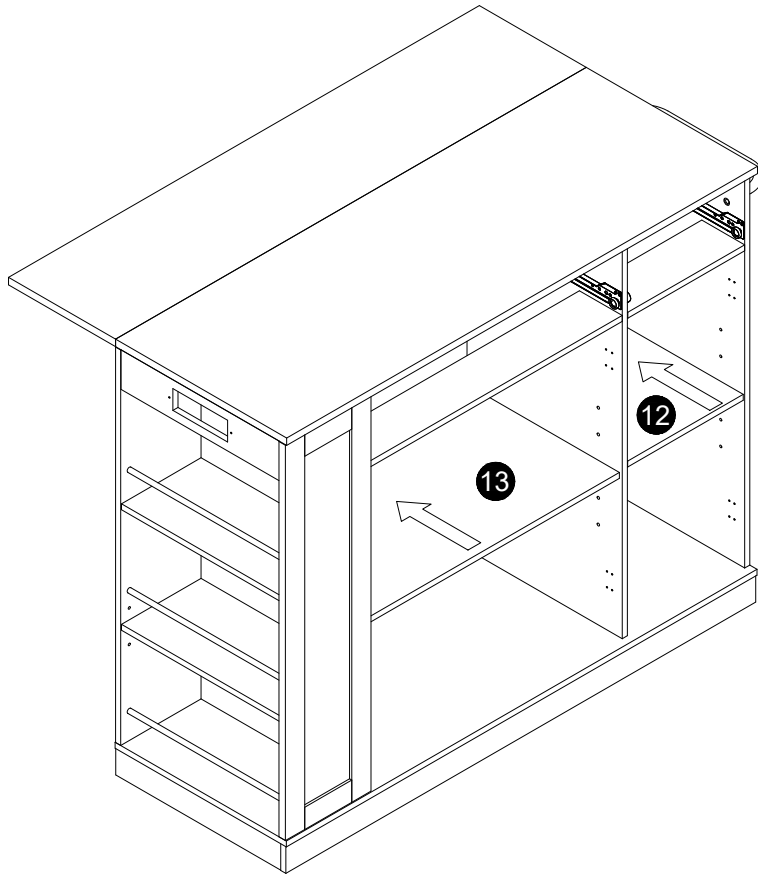


M X8

26



27

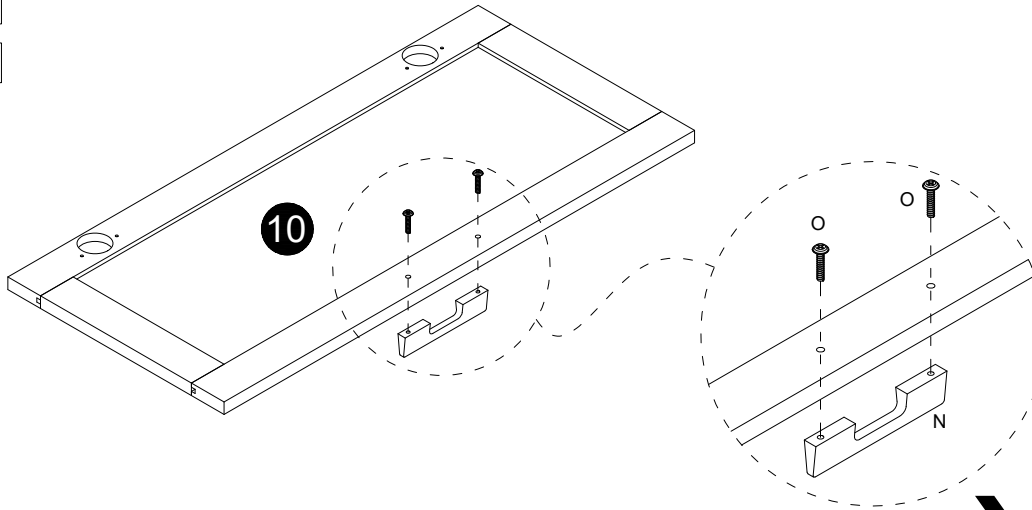


15

N X3

O X6

28

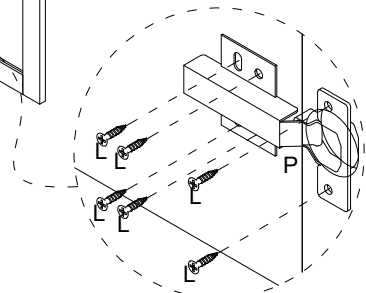
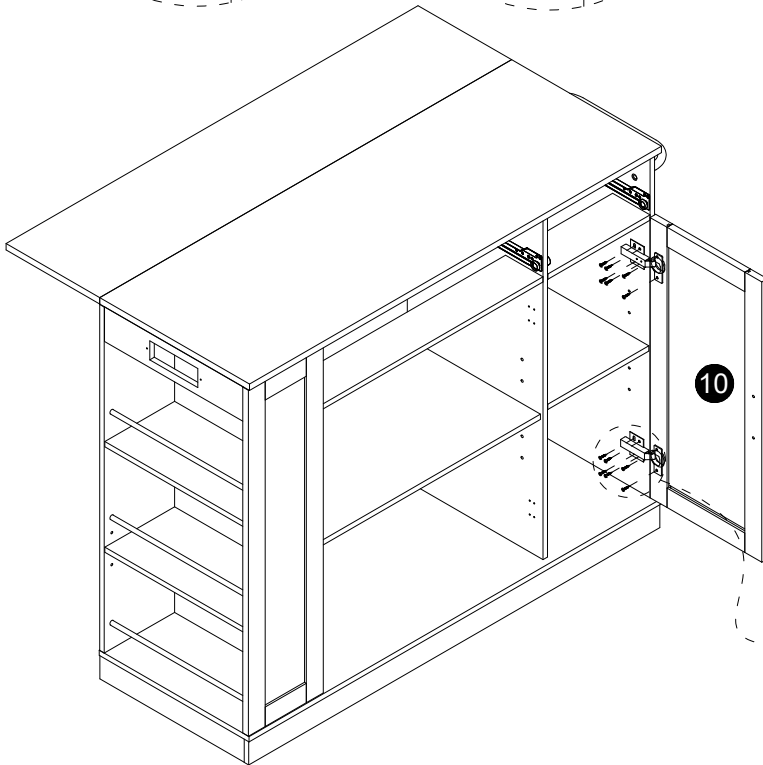
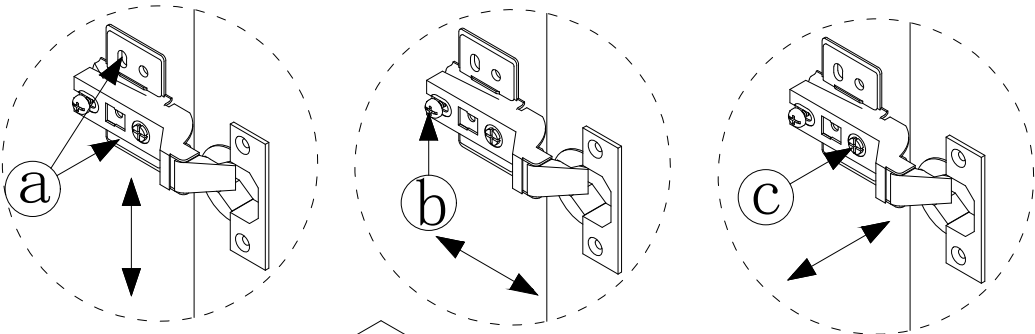


X3

L X12

P X1

29

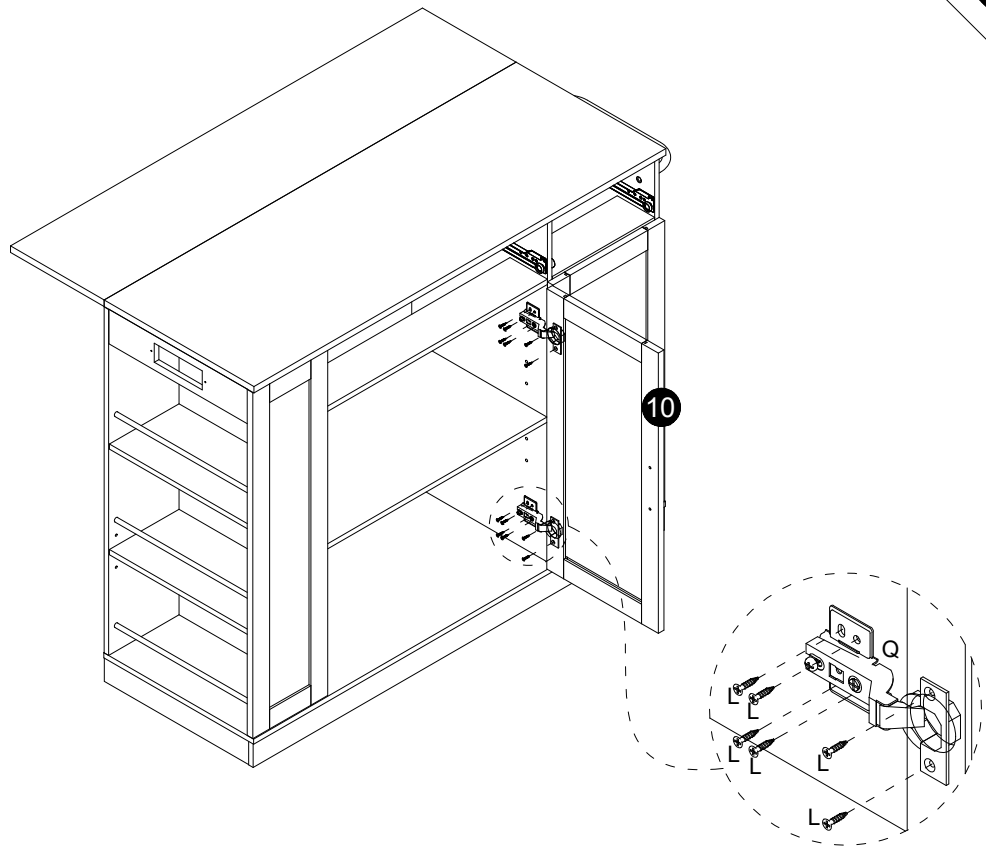


16

30

L X12

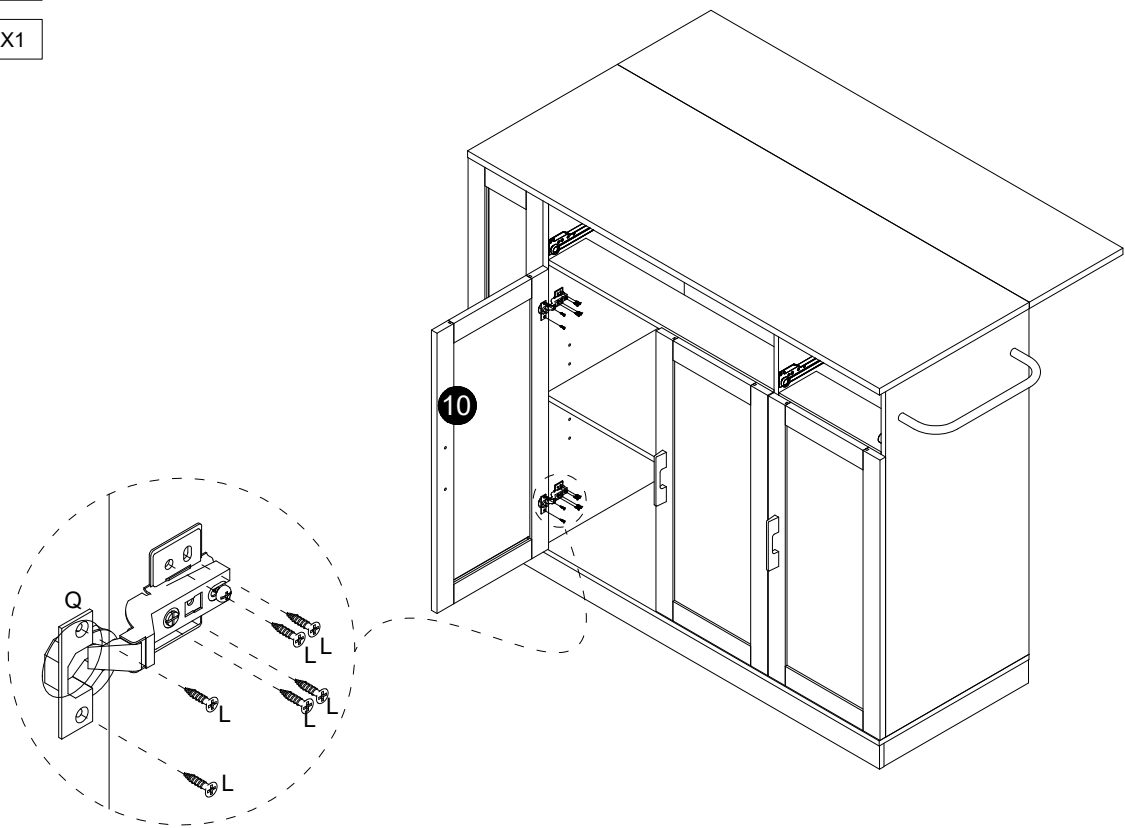
Q X1



31

L X12

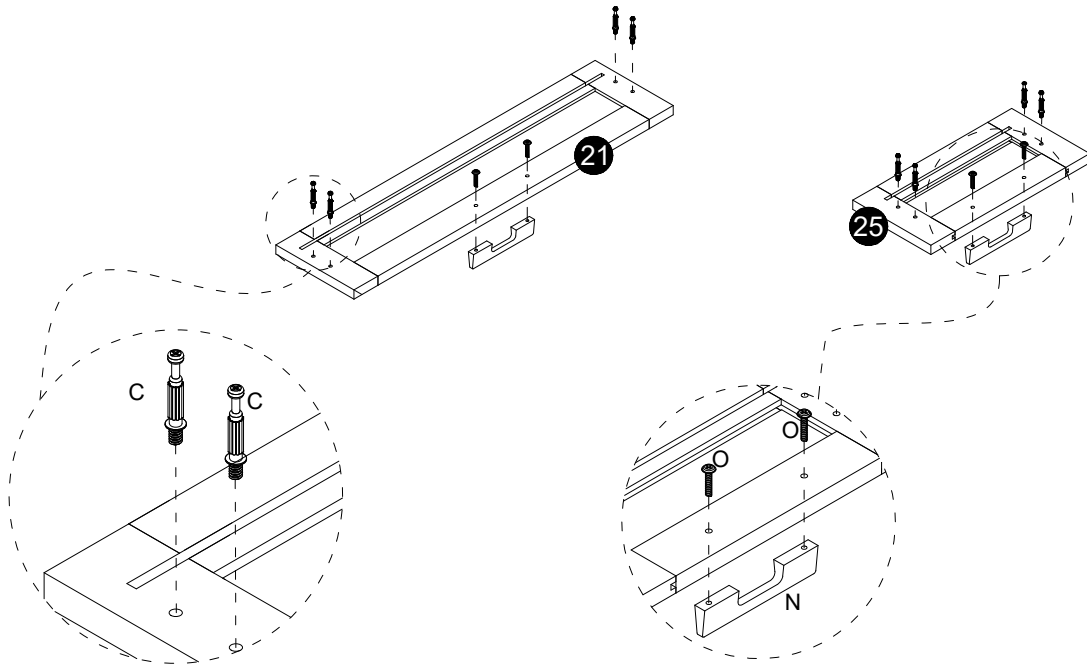
Q X1



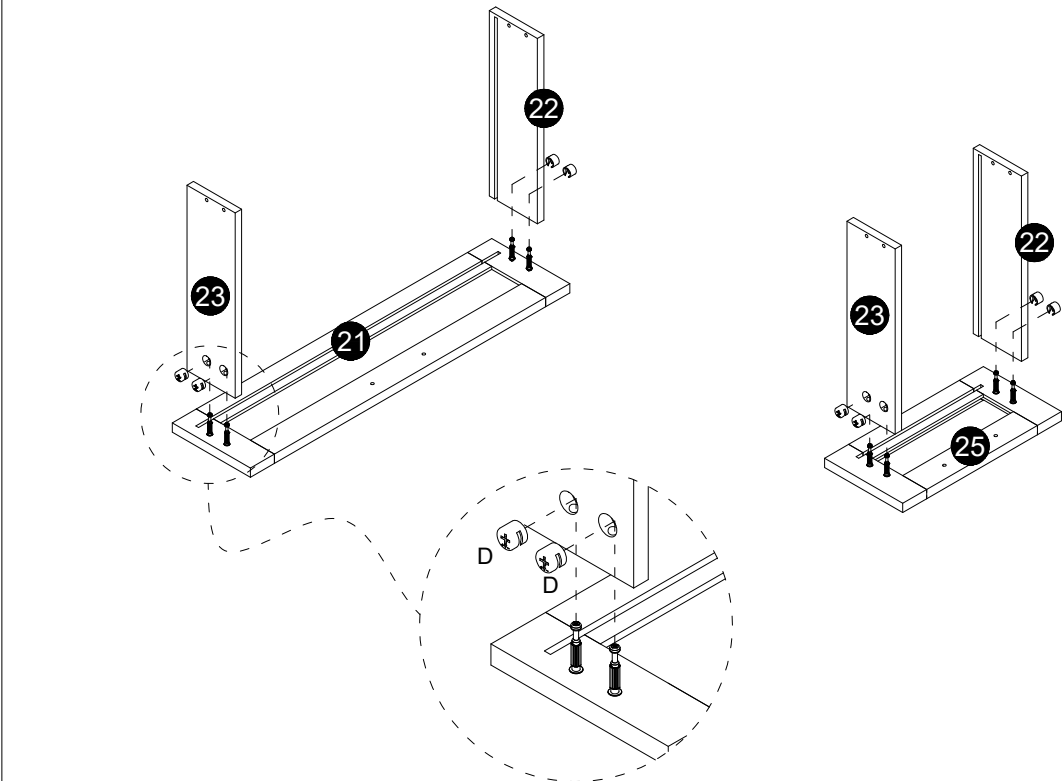
N X2

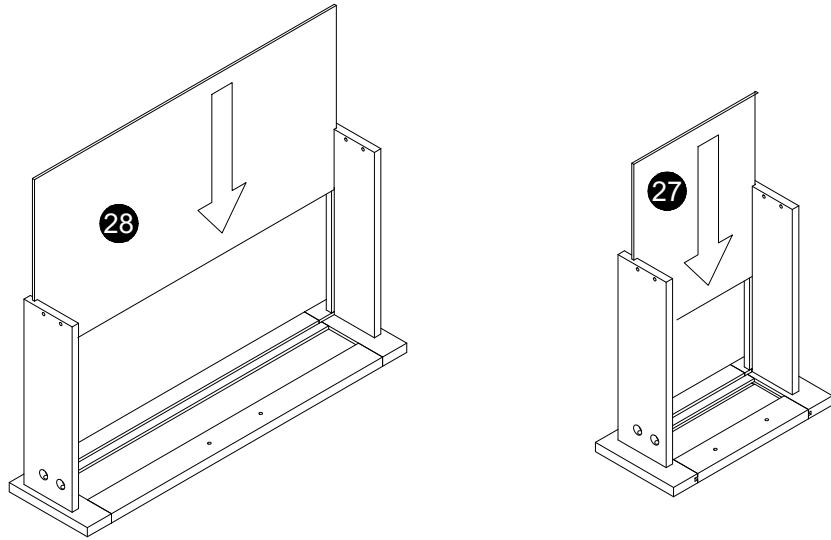
O X4

C X8

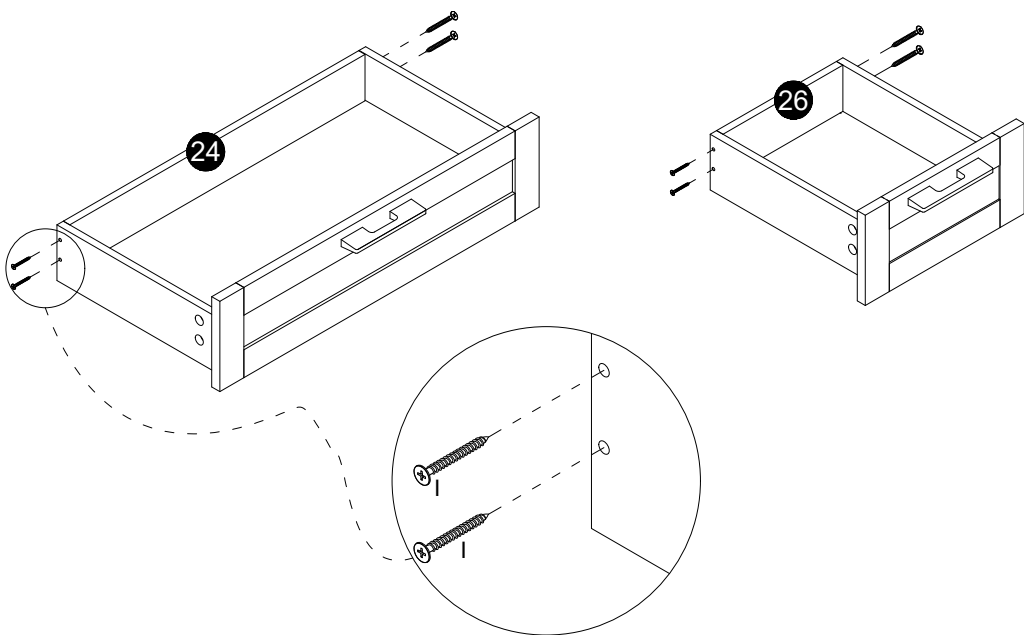


D X8

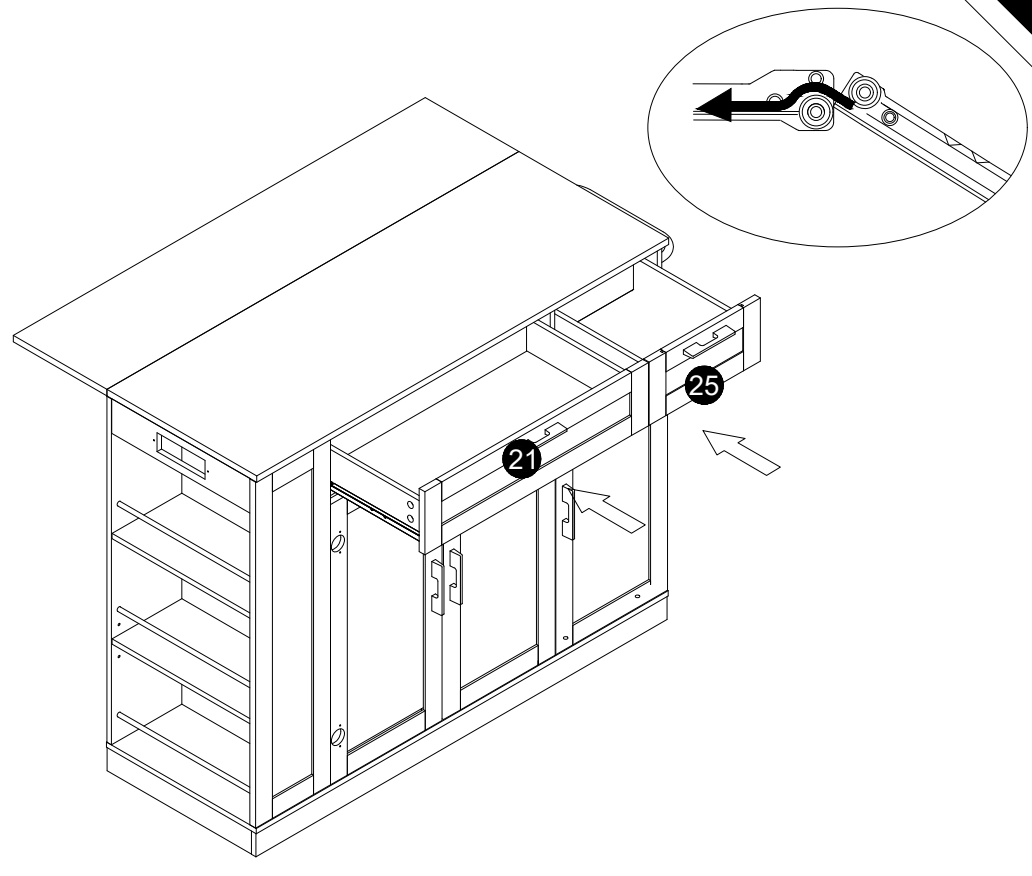
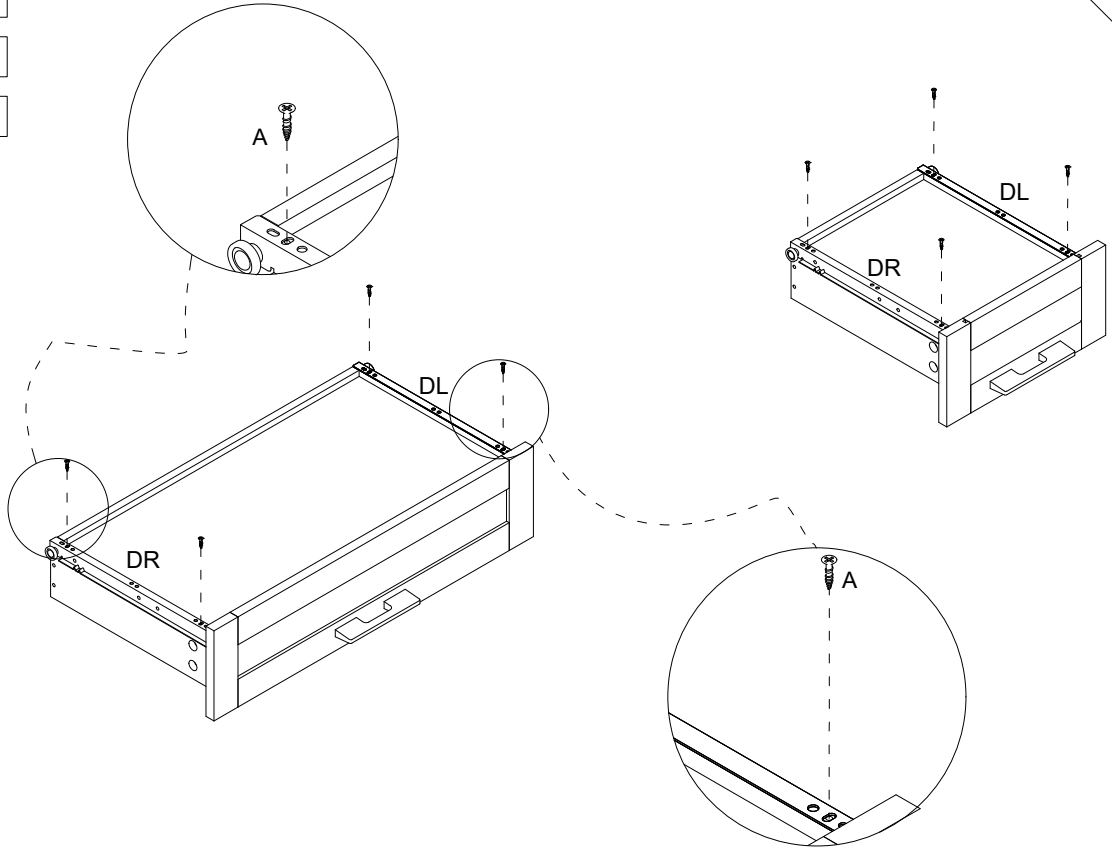




I X8



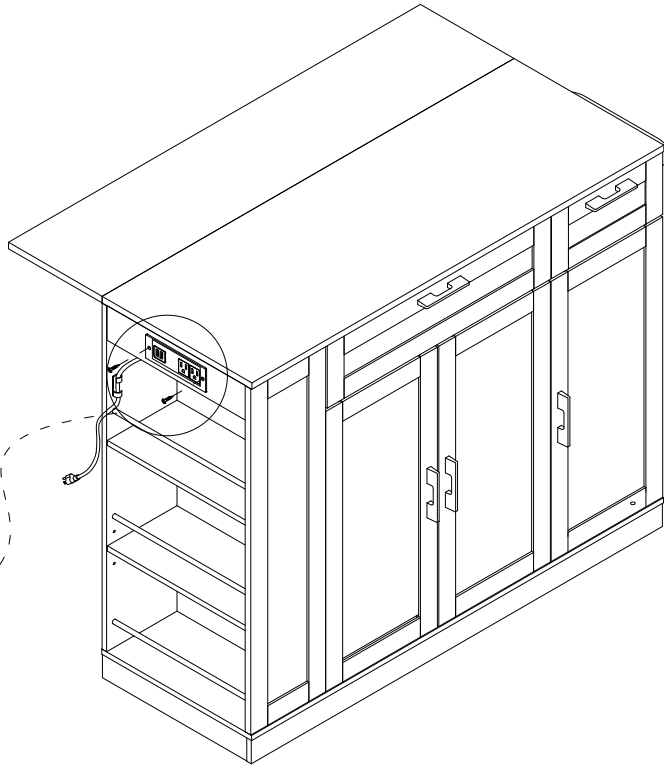
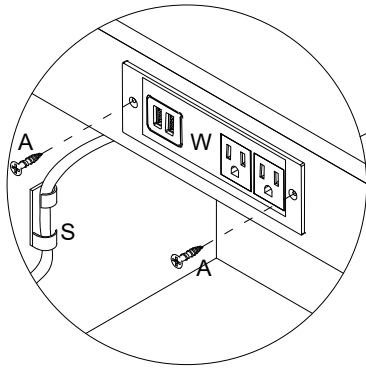
- DL X2
- DR X2
- A X8



W X1

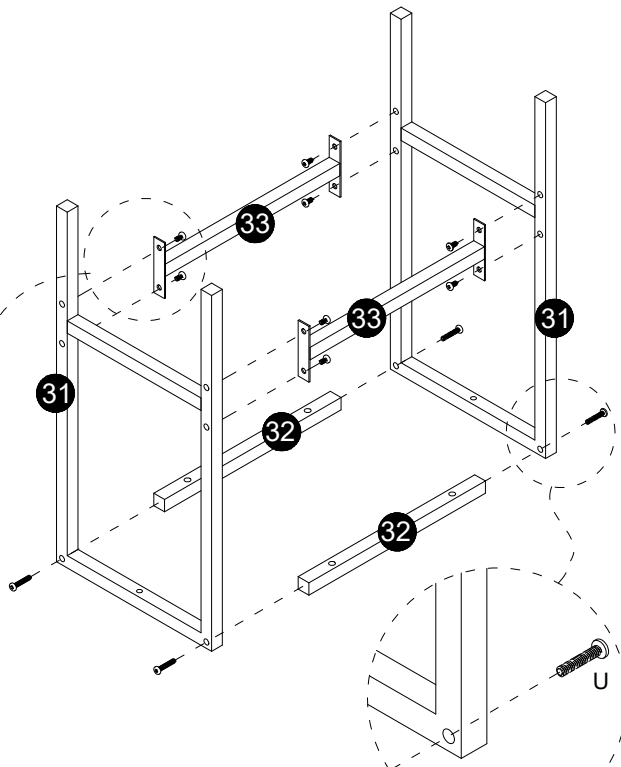
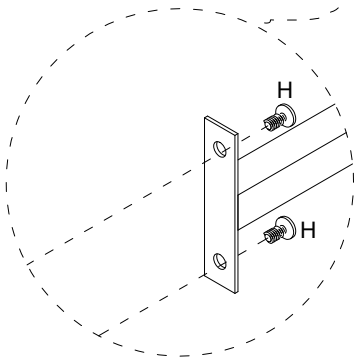
A X2

S X1



H X16

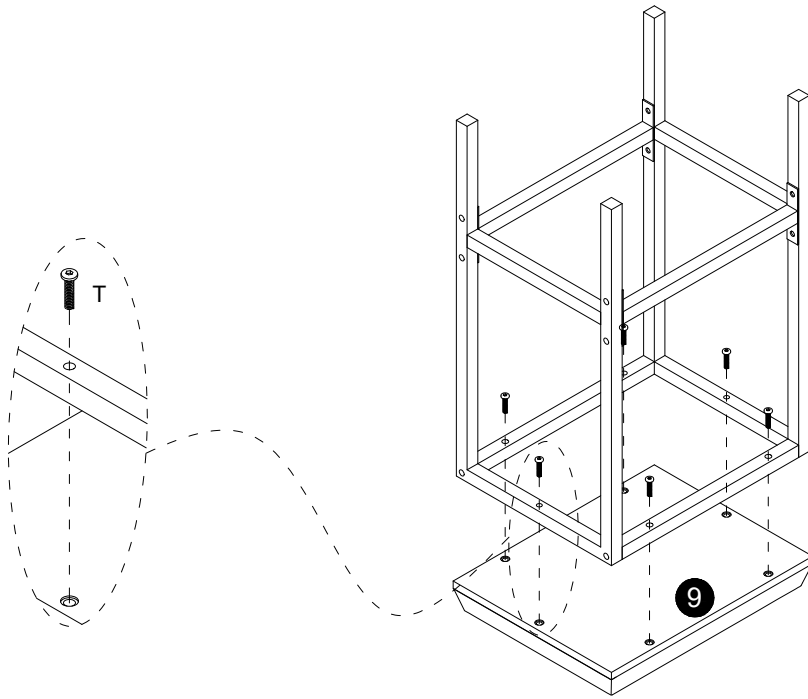
U X8



X2

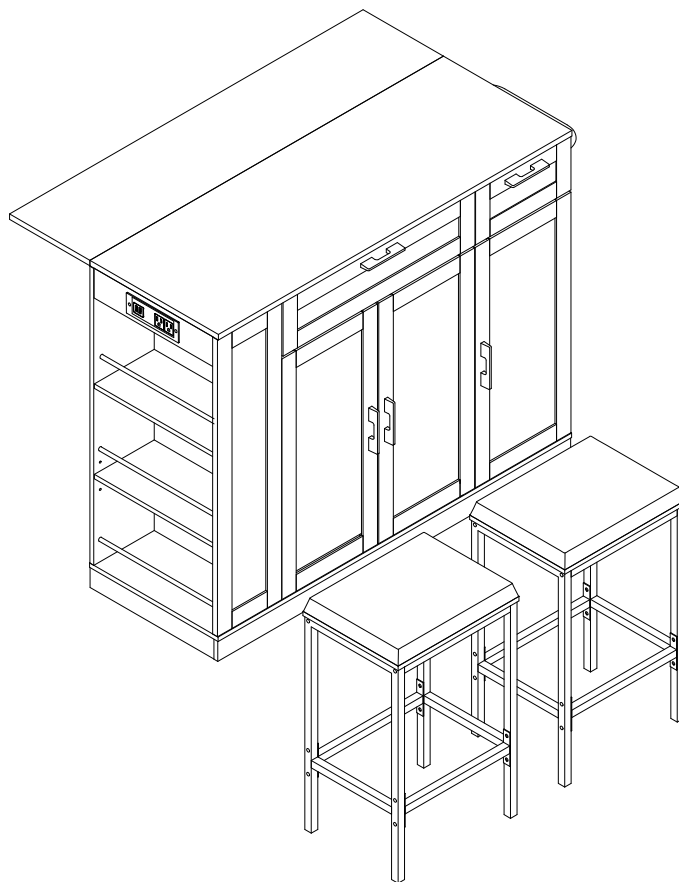
T X12

40



X2

41



22