

UESR'S MANUAL

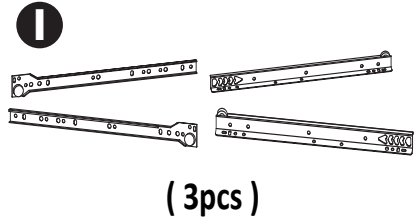
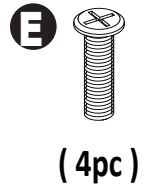
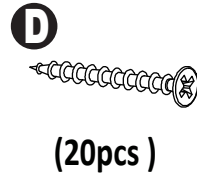
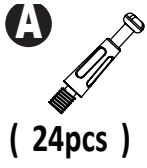
TV stand

---

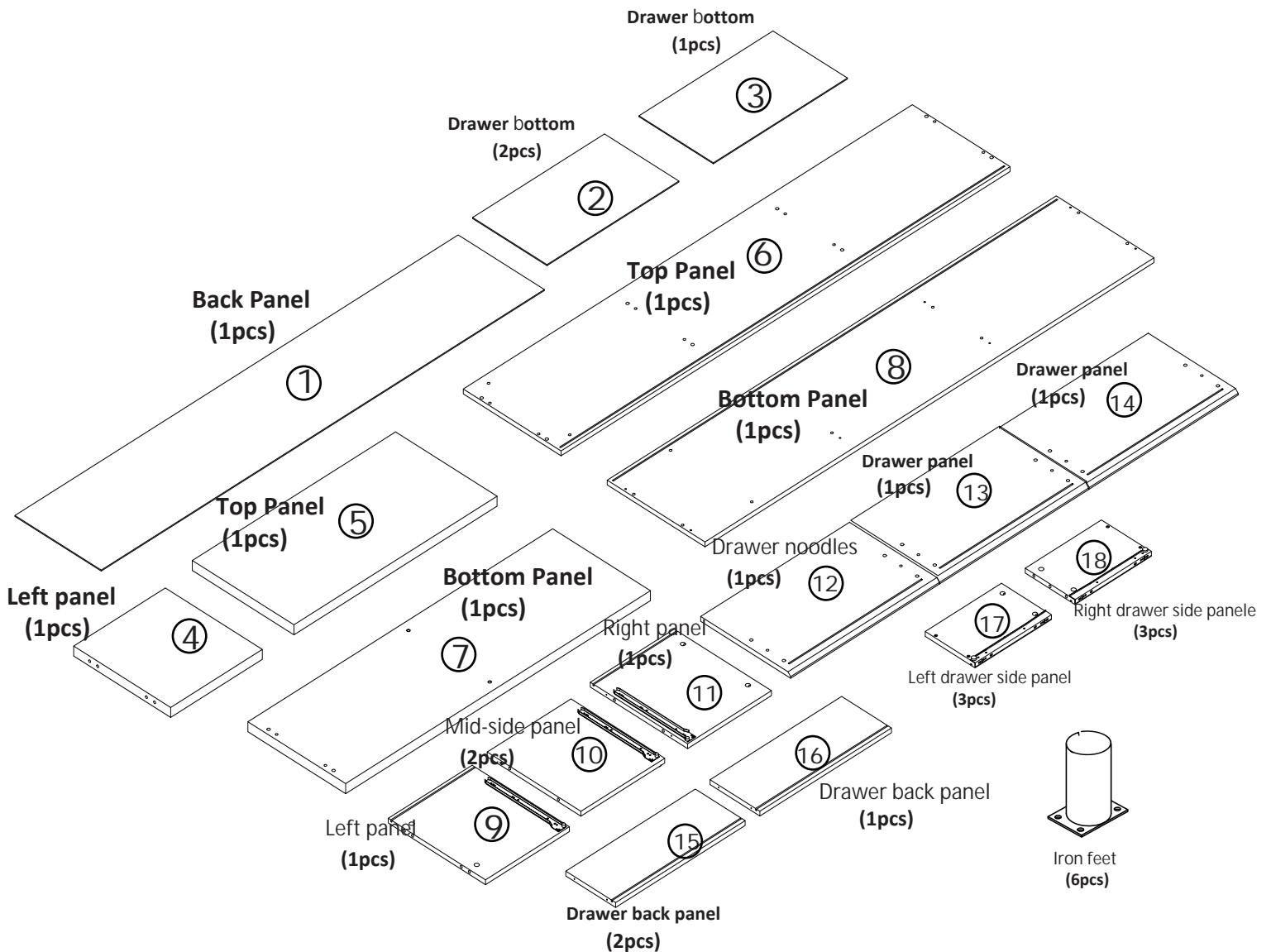
WF299723AAB

WF299723AAK

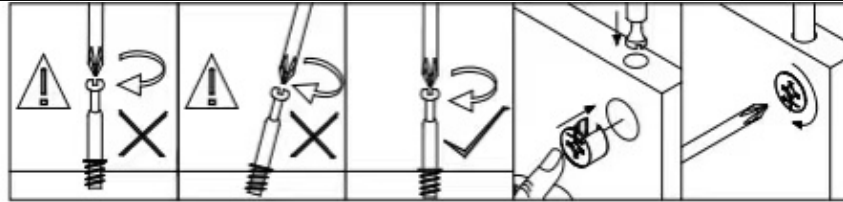
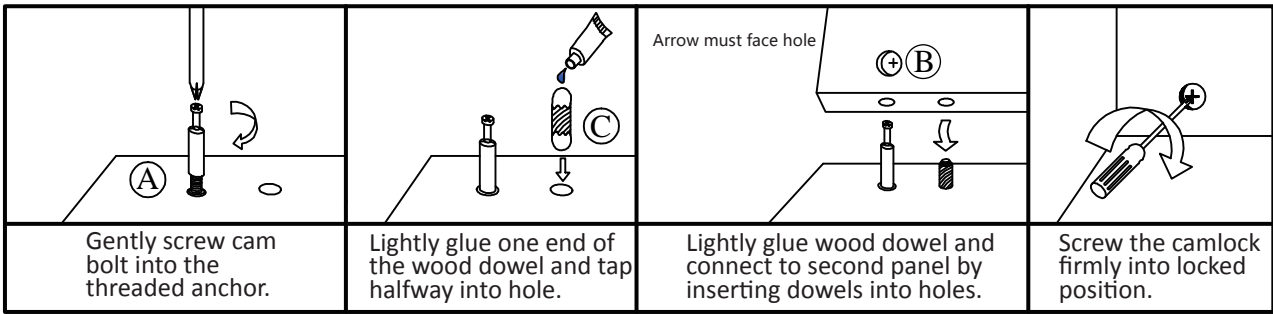
## Hardware List



## Panel List

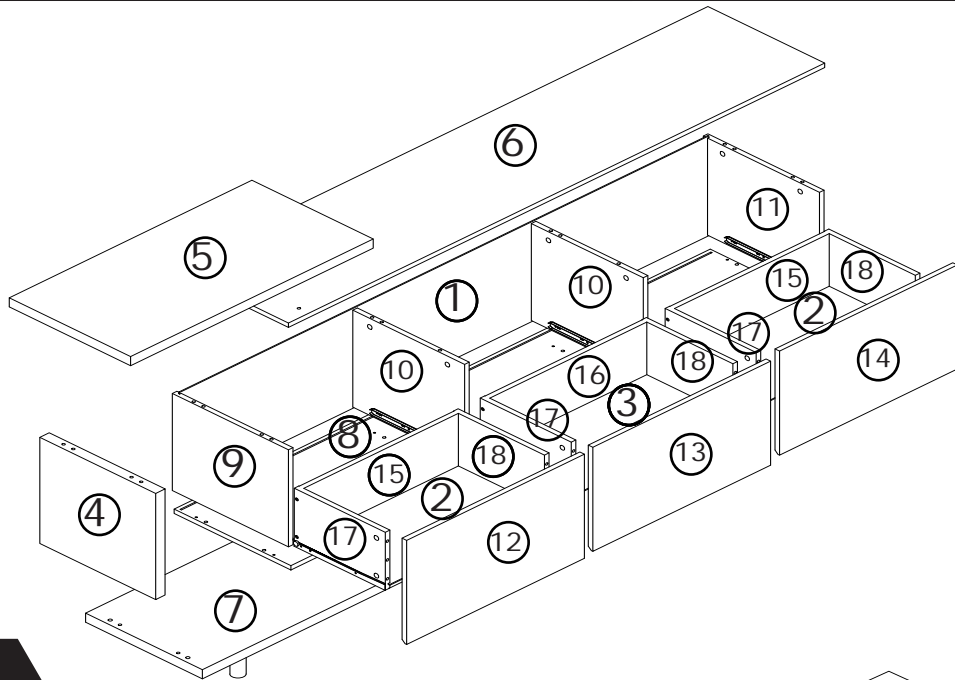


## Assembling the unit with camlocks and wood dowels.

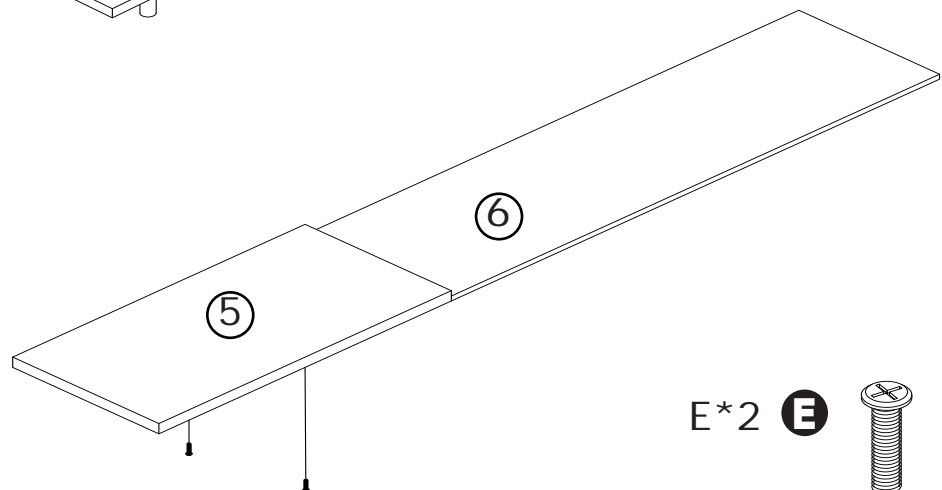


Dear customer, when you use the connector cam fitting to install this product please align the hole vertically and screw it in slowly. If you use an electric drill, please adjust it to a gear with a lower speed, and then screw it in vertically. Doing this can make your installation smoother thank you for your cooperation.

## Exploded Views

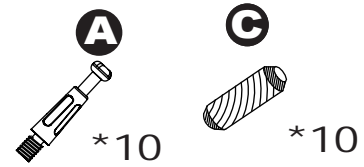
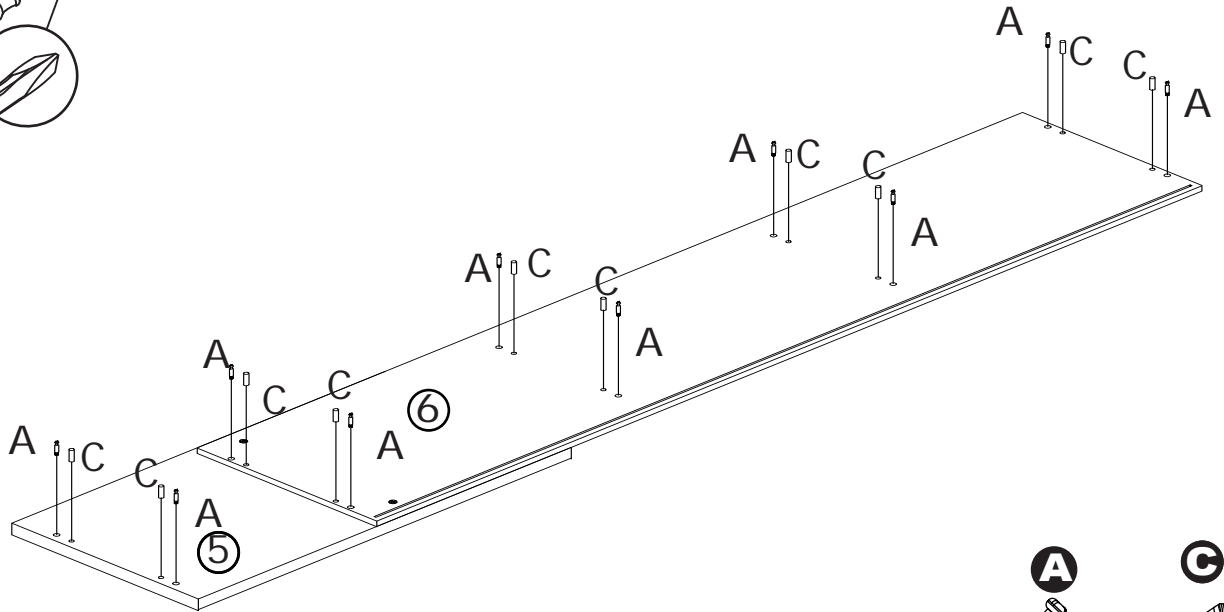
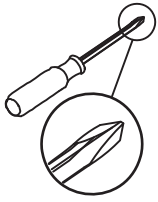


### Step 1

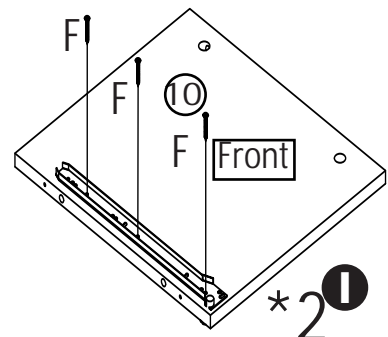
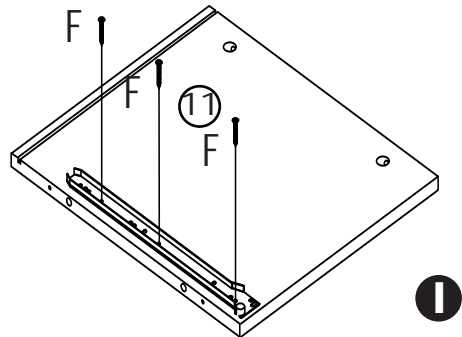
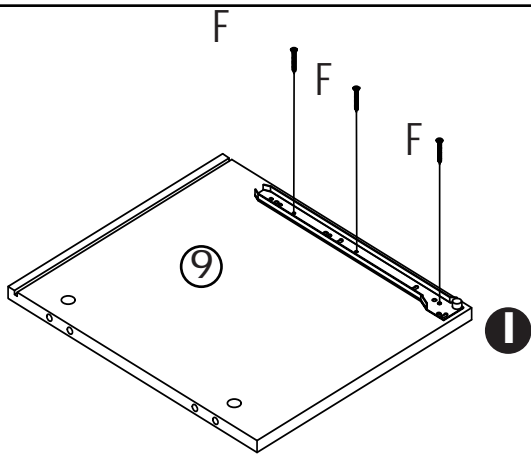


E\*2 **E** \*2

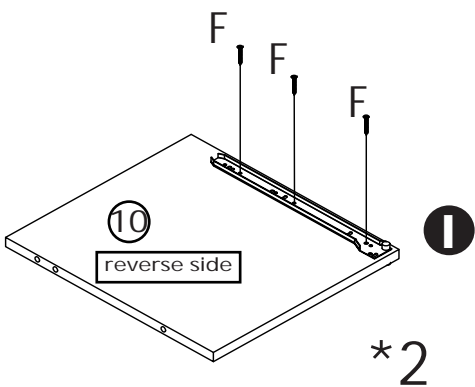
## Step 2



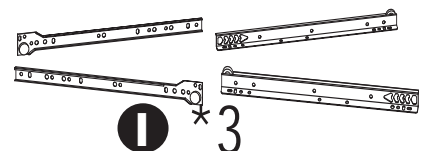
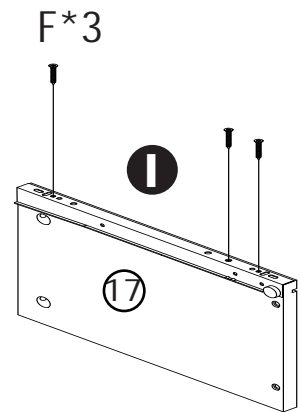
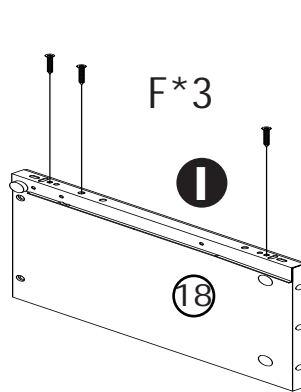
## Step 3



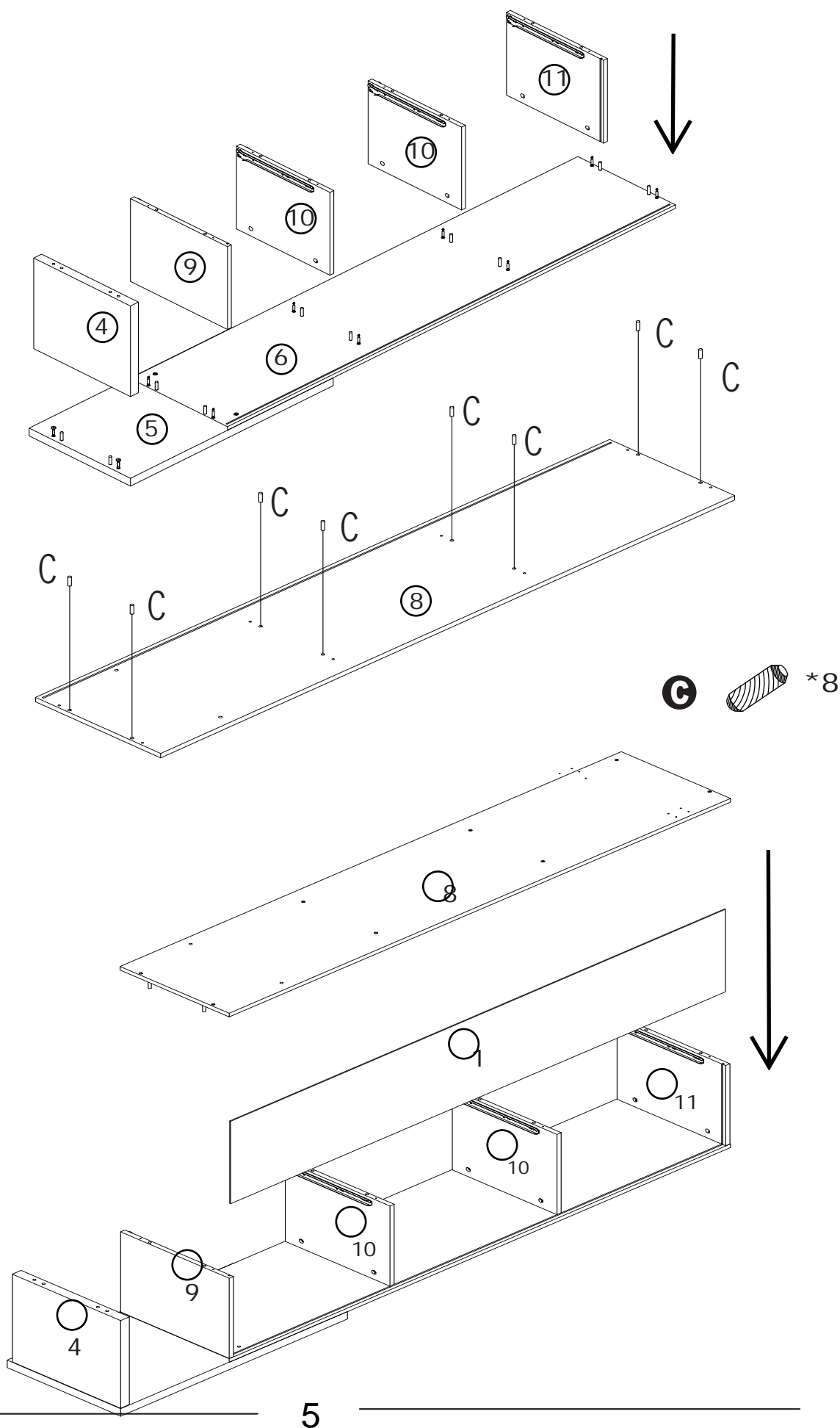
Align the hole in the plate with the first hole on the rail



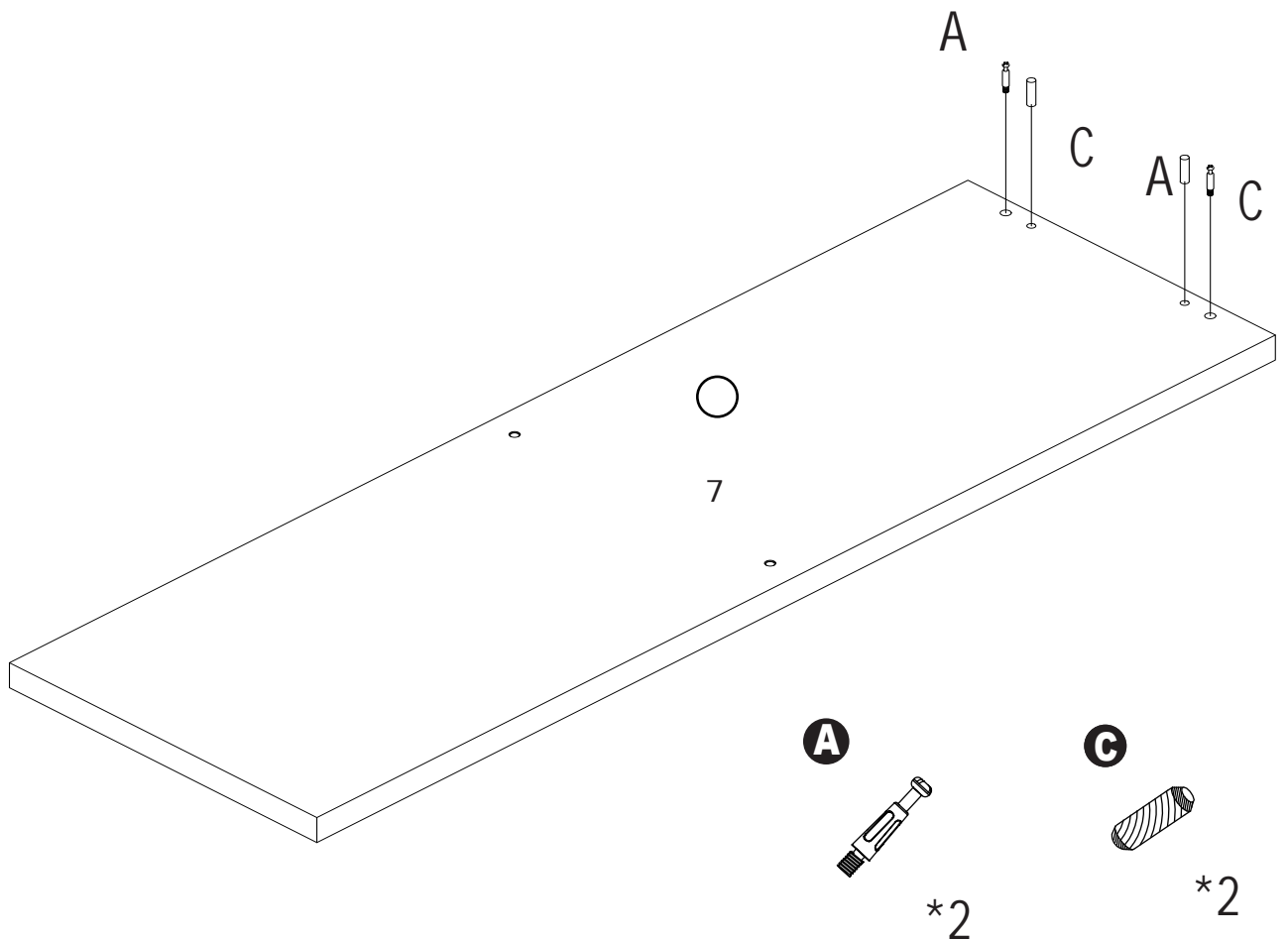
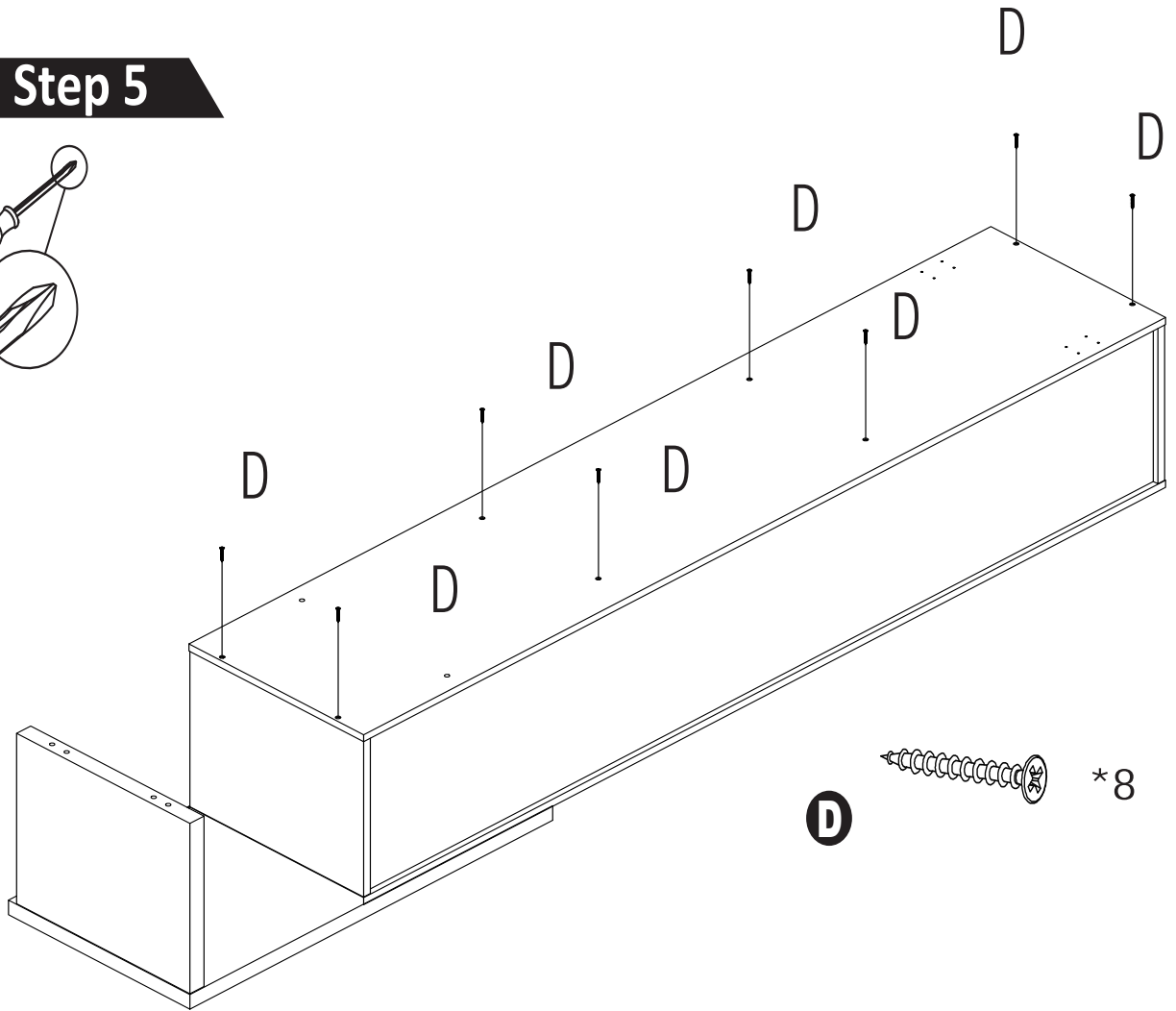
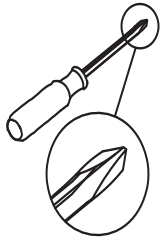
Align the hole in the plate with the second hole on the rail



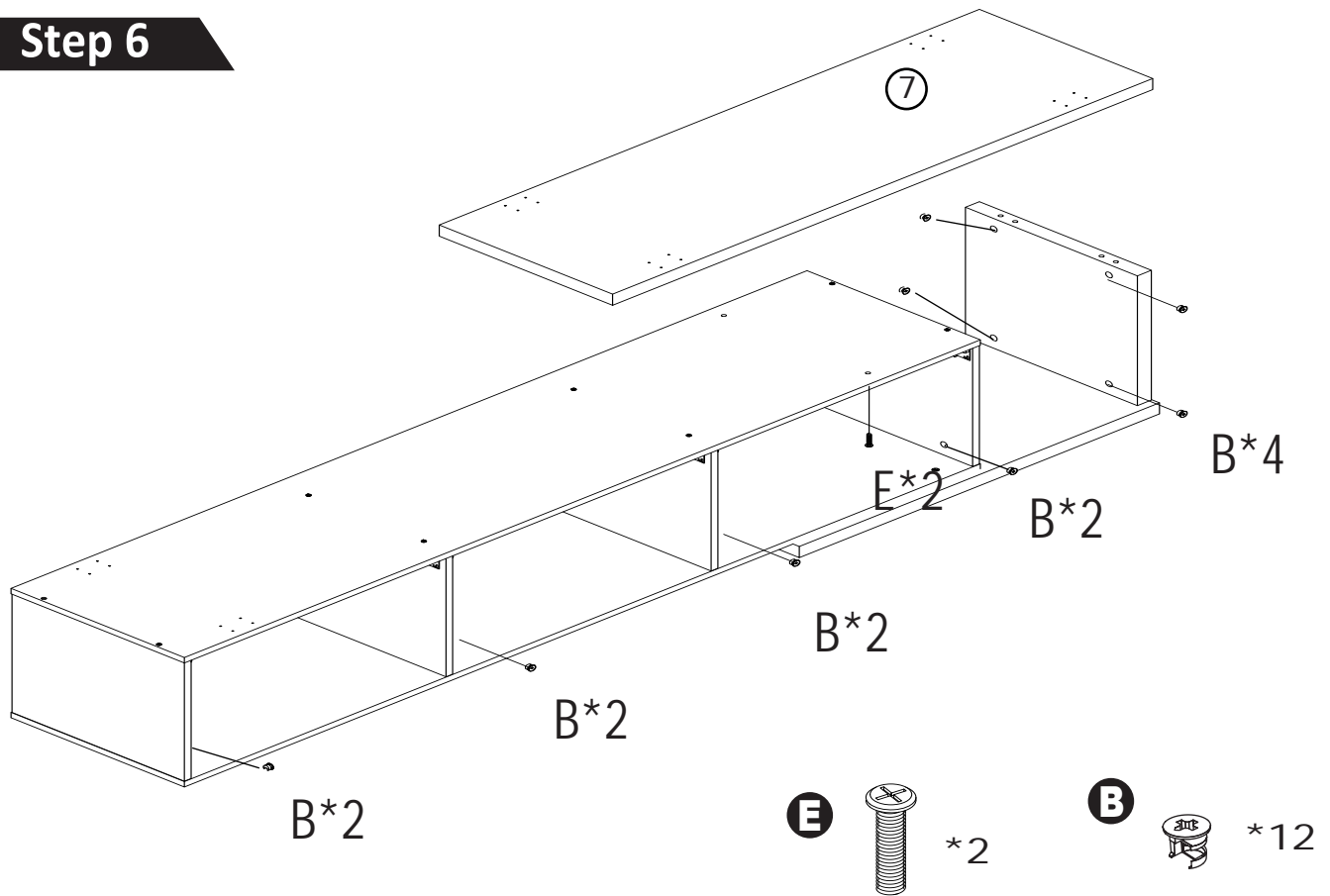
# Step 4



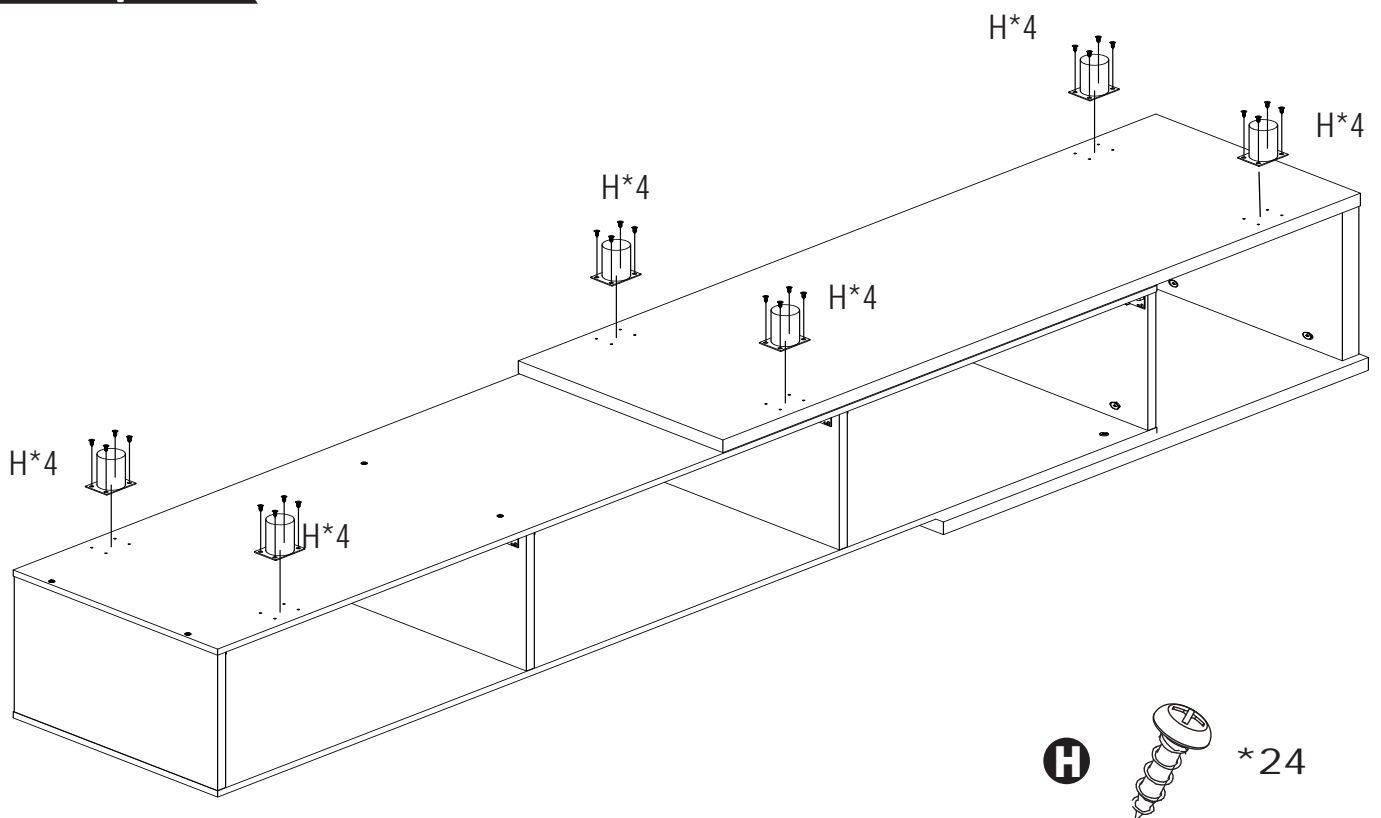
# Step 5



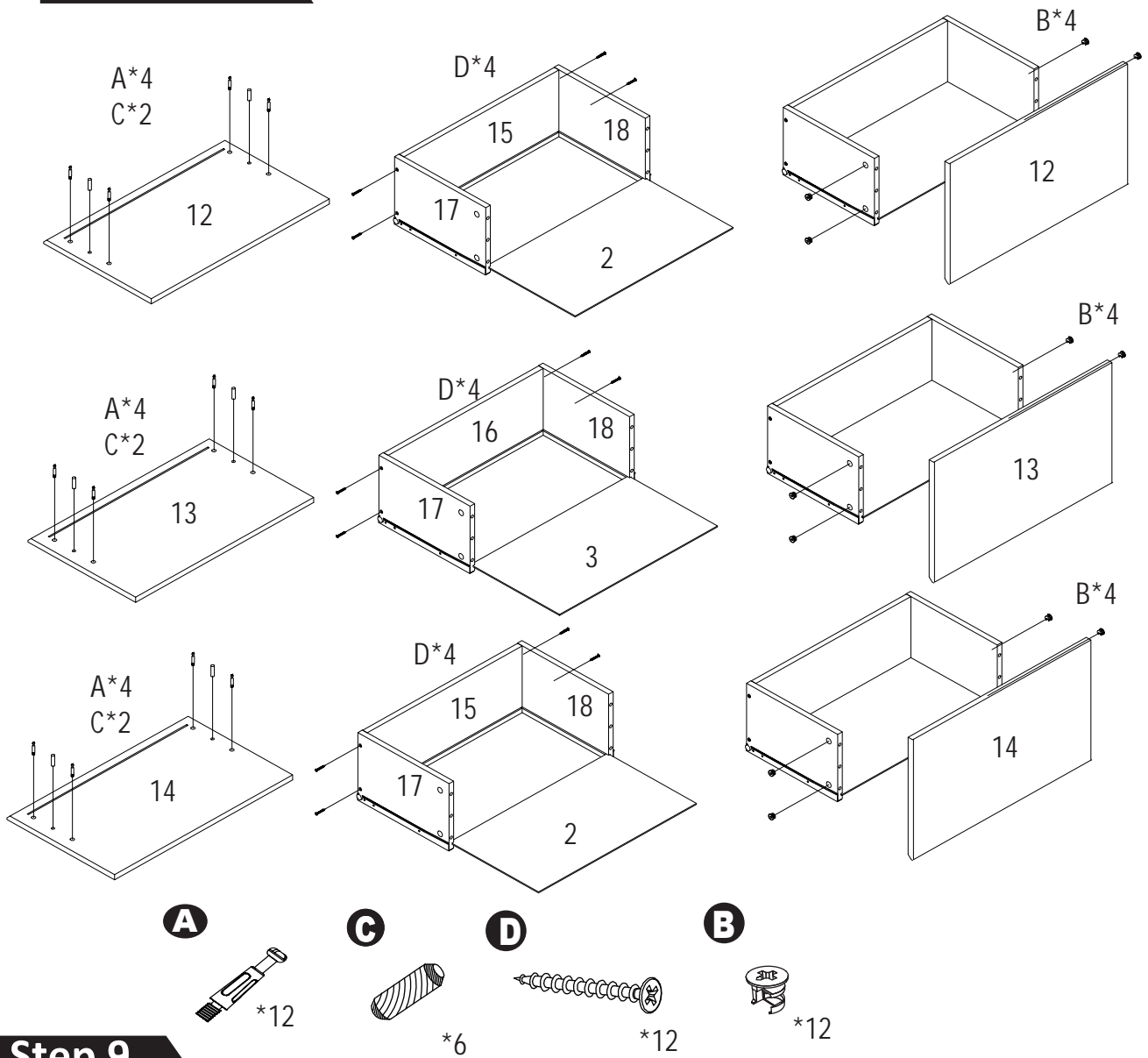
## Step 6



## Step 7



# Step 8



# Step 9

