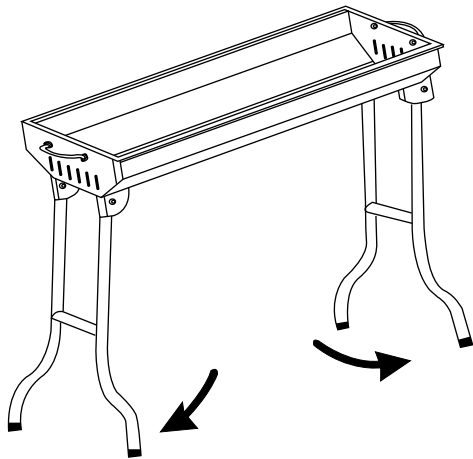


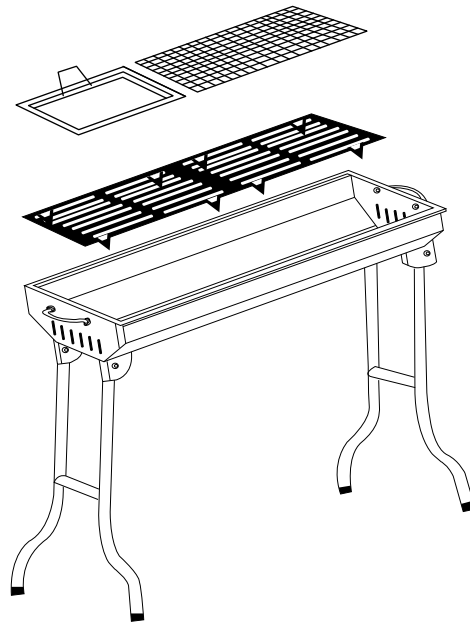


846-028

Step 1:



Step 2:



Step 3:

