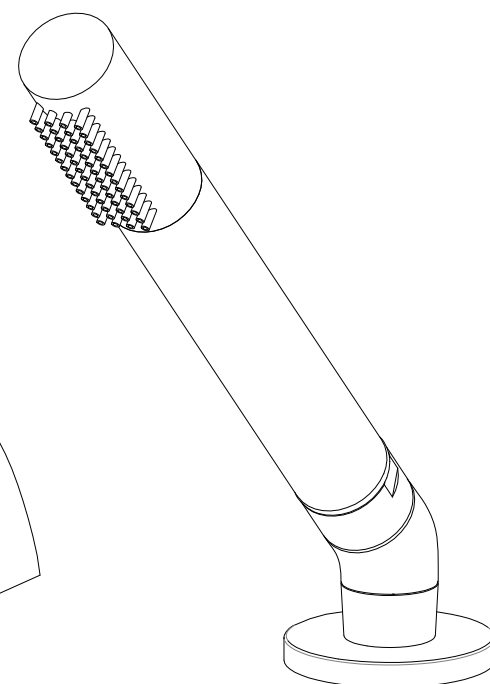
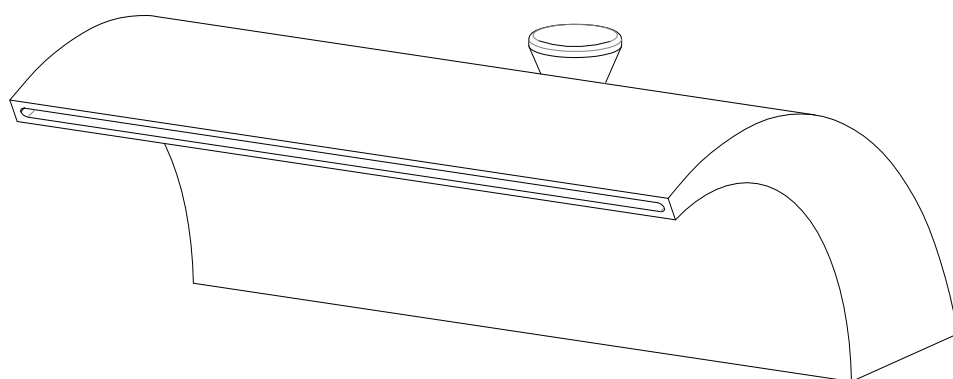
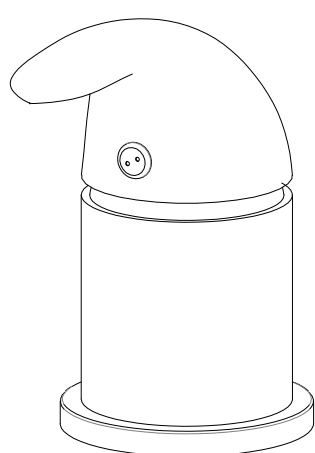


**INSTALLATION GUIDE**



**ROMAN WATERFALL BATHTUB FAUCET**

MODEL	FINISH
S2138CW	CHROME
S2138NW	BRUSHED NICEKL
S2138DW	MATTE BLACK
S2138BGW	BRUSHED GOLD
S2138W-MG	MATTE BLACK AND BRUSHED GOLD

**HOT LINE: +1-866-203-0866**

## THANK YOU

Dear Valued Customer,

Thank you for choosing SUMERAIN products. We sincerely appreciate your recent purchase and hope you are fully satisfied with your new product. At SUMERAIN, all our products are meticulously designed, engineered, and rigorously tested to ensure long-lasting, trouble-free performance under normal conditions.

Installation is simple with basic tools and our step-by-step illustrated guide. We welcome your questions or feedback and look forward to assisting you in the future. For any inquiries, please contact us at +1-866-203-0866 or email us at [supports@sumerain.com](mailto:supports@sumerain.com).

Thank you again for selecting SUMERAIN. We remain dedicated to providing exceptional customer service.

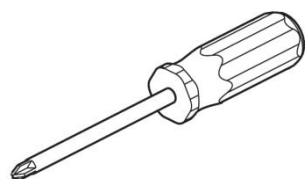
Sincerely,

SUMERAIN Customer Service Department.

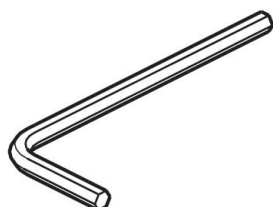
## BEFORE PROCEEDING

1. Unpack the product and ensure all components are included in the package. Keep the product in its original packaging until you are ready to install it to prevent damage.
2. Locate the water supply inlets and turn off the water supply valves, which are typically near the water meter or under the sink. If replacing an existing unit, remove the old one and thoroughly clean the mounting surface.
3. Follow all applicable local and state plumbing and building codes to ensure proper installation.
4. If you are uncertain about the installation process, we strongly recommend consulting a professional to avoid potential issues.

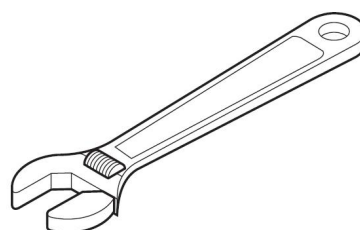
## TOOLS RECOMMENDED



Philips Screwdriver



Allen Wrench



Adjustable Wrench



Channel Locks



Teflon Tape

## LIMITED LIFETIME CONSUMER WARRANTY

VERSION: 140320.15.5

This product is manufactured and rigorously tested to meet the highest quality standards by HONGKONG SUMERAIN SANITARY INDUSTRY Co., Limited ("SUMERAIN"). This warranty is exclusively applicable to SUMERAIN products purchased by consumers in the United States on or after January 1, 2020. If a faucet develops leaks or drips during normal usage, SUMERAIN will provide the required faucet cartridge to the purchaser, free of charge, to restore the faucet to proper working condition. For any defects identified under normal residential use, SUMERAIN may, at its discretion, repair the product, supply replacement parts or products, or make necessary adjustments to ensure optimal functionality.

### WHO IS COVERED BY THE WARRANTY

This warranty exclusively covers the original consumer purchaser, including those who purchased through online retail platforms. Customers specifically covered under the "Online Consumer Limited Lifetime Warranty & Return Policy" are also included. Please note that this warranty is non-transferable and cannot be assigned to any other individual or entity.

### WHAT IS COVERED BY THE WARRANTY

This warranty applies exclusively to SUMERAIN-manufactured products purchased by the consumer. SUMERAIN warrants against defects in materials or workmanship under normal installation, use, service, and maintenance. If the product or its components are found to be defective due to faulty materials or workmanship, SUMERAIN will, at its discretion, provide free replacement parts or replace the entire product.

### FINISH WARRANTY

Customers are responsible for inspecting the product for any material or finish defects within three days of receipt. Please note that surface finish defects are not covered under warranty once the fixture has been installed.

### ELECTRONIC FAUCETS WARRANTY

SUMERAIN warrants its LED components, including electronic faucets, valves, controllers, and battery-powered devices, against material and manufacturing defects for one year from the date of purchase under normal use. The water flow impeller power device (LED power generation unit) is covered against manufacturing defects for three months from the date of purchase.

### LENGTH OF WARRANTY

As stated in the following, any replacement or repaired parts of the product will be covered for the duration of this warranty, which SUMERAIN provides for a period of 1 year from the original date of purchase.

### CIRCUMSTANCES THAT SUMERAIN WILL NOT WARRANT AND PAY FOR:

- A. Conditions, malfunctions, or damage that are not caused by defects in material or workmanship are not covered under the warranty.
- B. Conditions, malfunctions, or damage resulting from normal wear and tear, improper installation, improper maintenance, misuse, abuse, negligence, accidents, alterations, or the use of abrasive or caustic cleaning agents, "no-rinse" cleaning products, or operation contrary to the provided instructions, including issues caused by home conditions such as excessive water pressure or corrosion, are excluded from the warranty.
- C. Labor costs or other expenses related to the disconnection, deinstallation, or return of the product for warranty service, as well as the installation or reinstallation of the product, are not covered under the warranty.
- D. Accessories, connected materials, and related products (including but not limited to hand shower flexible hoses, spray flexible hoses, hand showers, and showerheads) that are not manufactured by SUMERAIN are excluded from warranty coverage.

### TO OBTAIN WARRANTY PARTS OR INFORMATION

To obtain warranty parts or information, please follow these steps:

Contact your SUMERAIN retailer, call the technical service line at +1-866-203-0866, or email [supports@sumerain.com](mailto:supports@sumerain.com).

When applying for warranty service, provide the following information:

- a. A sales receipt or proof of purchase date and platform.
- b. A detailed description of the issue.
- c. Ship the product or defective parts to the designated SUMERAIN warehouse in the United States with prepaid postage. Ensure the items are carefully packaged and insured. Once the warranty service is completed, repaired or replaced products or parts will be returned to you with prepaid postage.

If you have further questions or require additional assistance, please contact SUMERAIN using the information provided above.

### EXCLUSIONS & LIMITATIONS

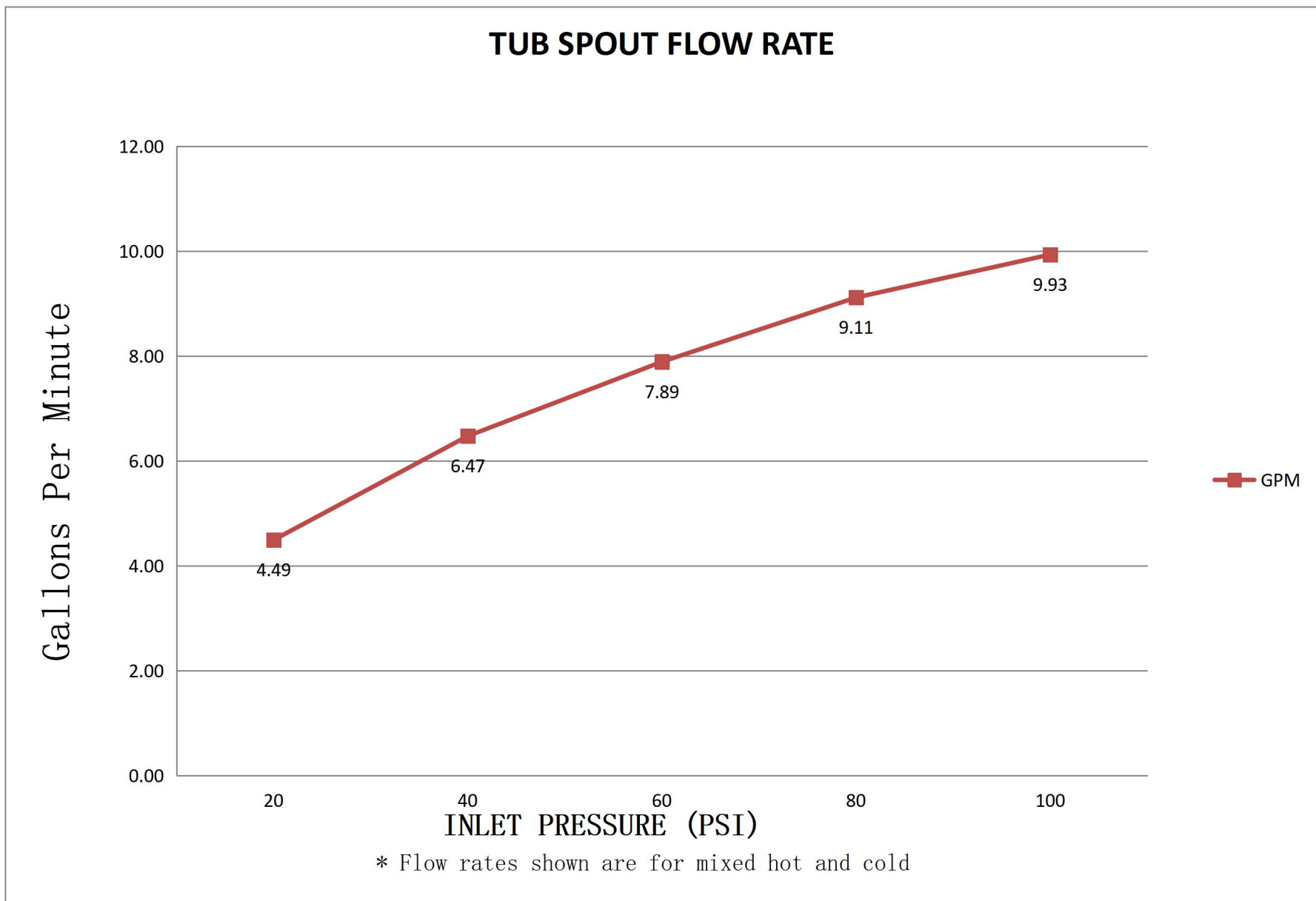
Under the terms of this warranty, repair, replacement, or, in limited cases, a refund of the purchase price is the sole remedy available to the purchaser. SUMERAIN assumes no obligations or liabilities and does not authorize any individual to create obligations or liabilities related to this product. SUMERAIN is not liable for any incidental, special, or consequential damages resulting from a breach of this warranty or any implied warranties, including merchantability. Please note that some states do not allow the exclusion or limitation of incidental or consequential damages, so the above limitations or exclusions may not apply to you. This warranty provides specific legal rights, and you may also have additional rights that vary by state. Before filing any legal action under the Magnuson-Moss Warranty Act, you may be required to provide SUMERAIN with a reasonable opportunity to address or resolve any non-compliance.

### PRODUCT INSTRUCTIONS & QUESTIONS

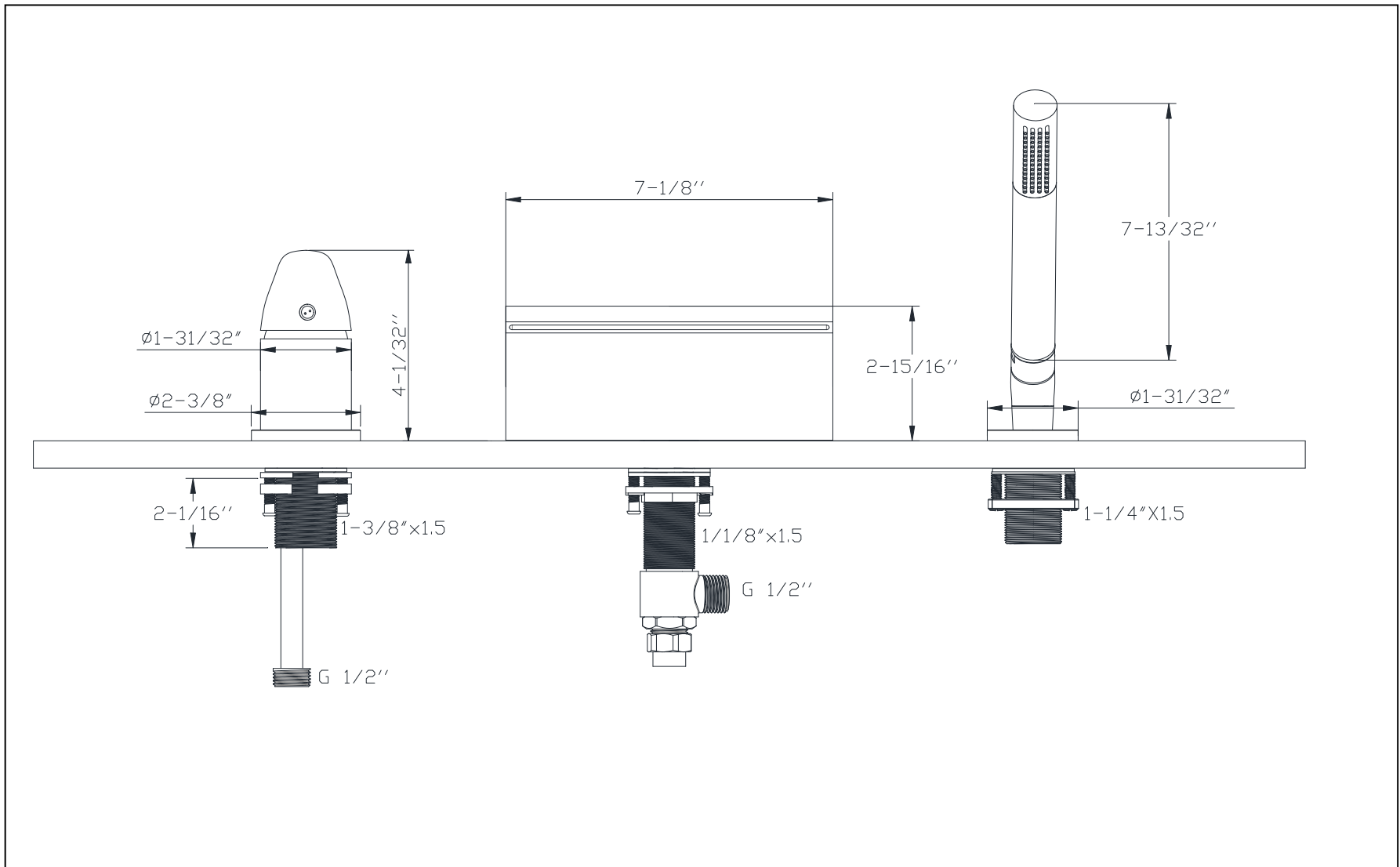
Prior to installation, we strongly recommend thoroughly inspecting your SUMERAIN product for any potential damage or visible defects caused during shipping. Carefully review the included instructions for proper installation, maintenance, and care procedures. If you have any questions regarding the use, installation, performance, or warranty of your SUMERAIN product, please contact us at +1-866-203-0866 or email [supports@sumerain.com](mailto:supports@sumerain.com). Our customer support team is available to assist with any concerns or inquiries you may have.

## FUNCTIONS AND SPECIFICATION

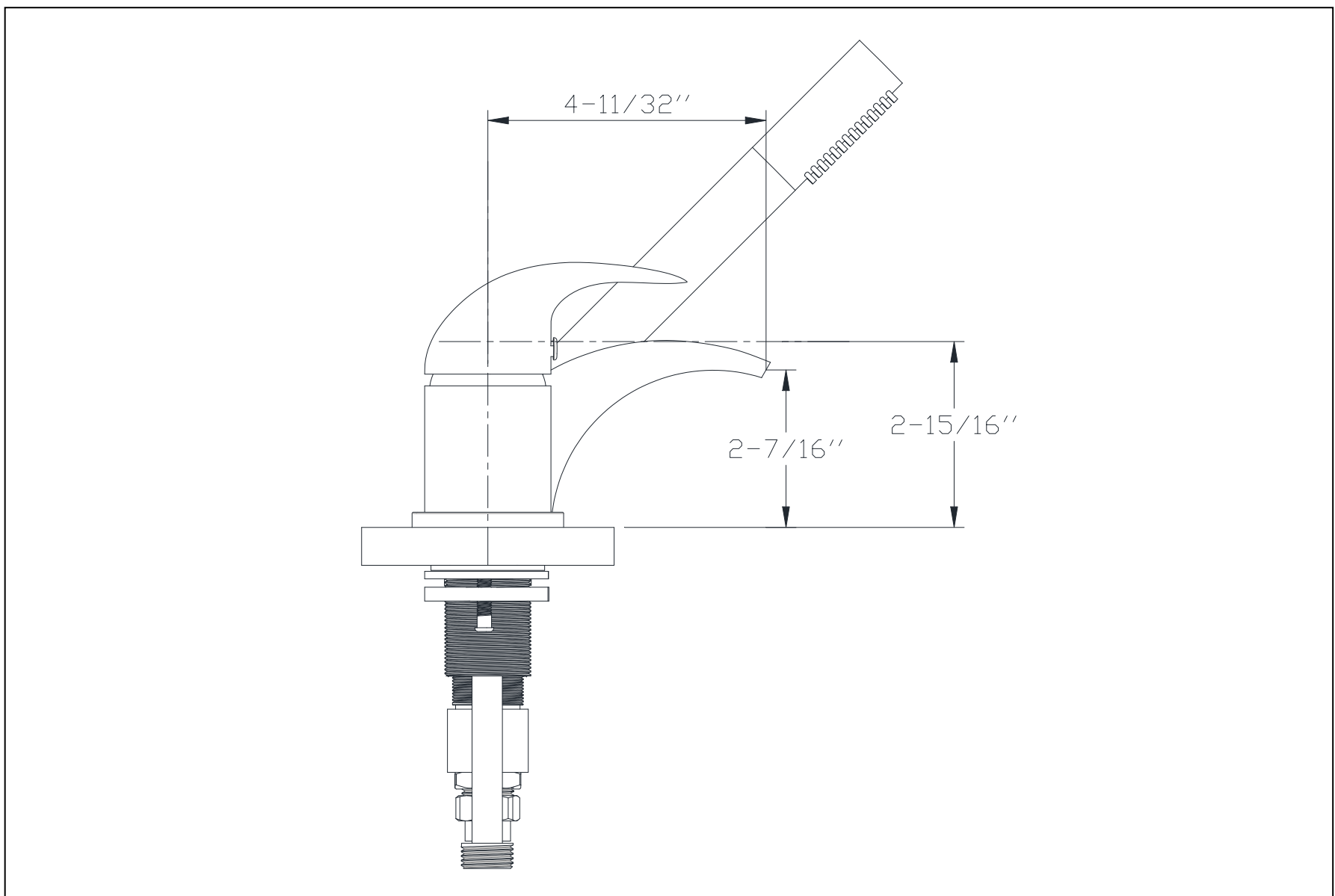
<b>Function</b>	Bathtub Faucets
<b>Feature</b>	Waterfall
<b>Style</b>	Contemporary
<b>Finish</b>	Chrome / Brushed Nickel / Matte Black / Brushed Gold/Matte Black and Brushed Gold
<b>Installation Holes</b>	Three
<b>Number of Handles</b>	One
<b>Spout Total Height</b>	2-15/16 Inch
<b>Spout Reach</b>	4-11/32 Inch
<b>Spout Width</b>	7-7/19 Inch
<b>Spout Height</b>	2-1/8 Inch
<b>Max Deck Thickness</b>	1-9/16 Inch
<b>Valve Type</b>	Ceramic Disc Valve
<b>Valve Body Material</b>	Brass
<b>Spout Material</b>	Stainless Steel
<b>Spout Net Weight</b>	4.08 lbs
<b>Net Weight</b>	8.60 lbs
<b>Gross Weight</b>	7.47 lbs
<b>Working Water Press</b>	29~116PSI
<b>Spout Flow Rate</b>	7.89GPM@60PSI
<b>Packing Box Size</b>	16-3/8Inch X 11-1/4Inch X 4-1/8Inch



# DIMENSION



FRONT VIEW OF FAUCET



SIDE VIEW OF FAUCET

# INSTALLATION STEPS

## 1. BEFORE PROCEEDING



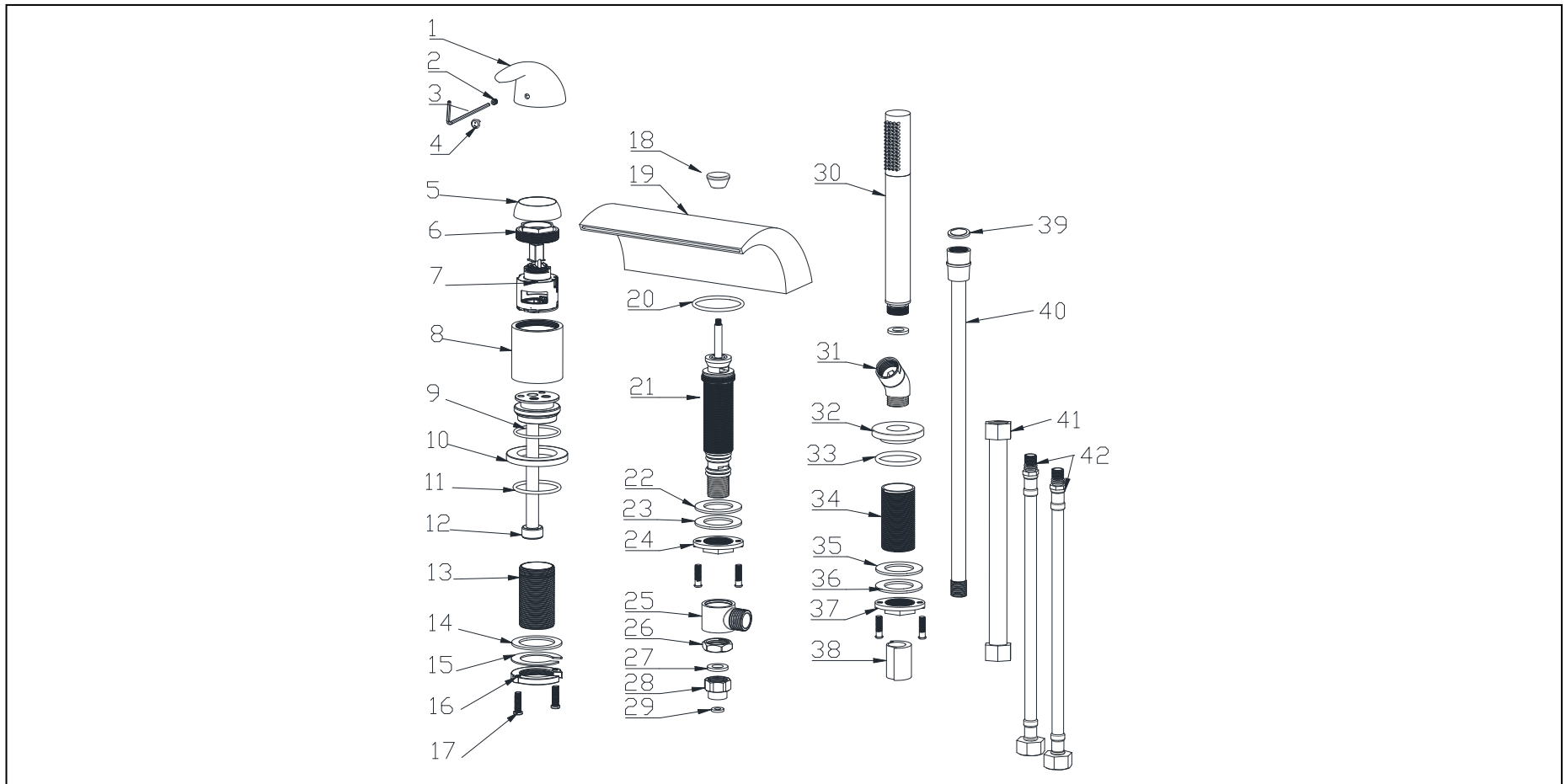
**WARNING:** Before beginning any installation or operation, read all instructions carefully. If you are unsure about installing this product, consult a licensed professional. This product must be installed in compliance with all applicable local and state plumbing and building codes. Professional assistance is strongly recommended.

## 2. SHUT OFF WATER SUPPLY

Locate the water supply inlets and turn off the corresponding water supply valves, typically located under the sink or near the water meter. If replacing an existing unit, remove the old unit and thoroughly clean the mounting surface to ensure proper installation.

## 3. CHECKING THE CONTENTS OF THE BOX

Upon opening the box, verify that all the listed components are included.



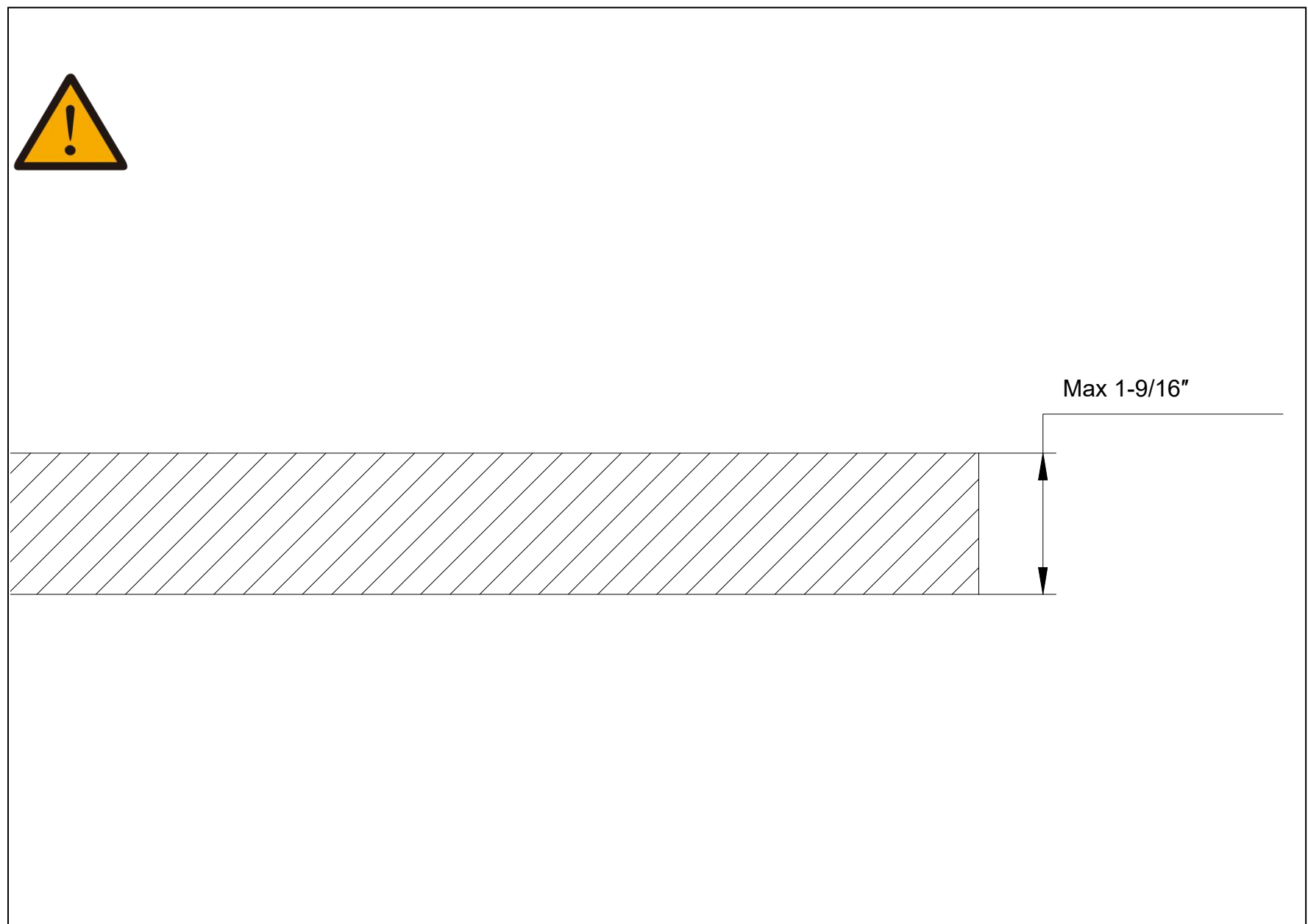
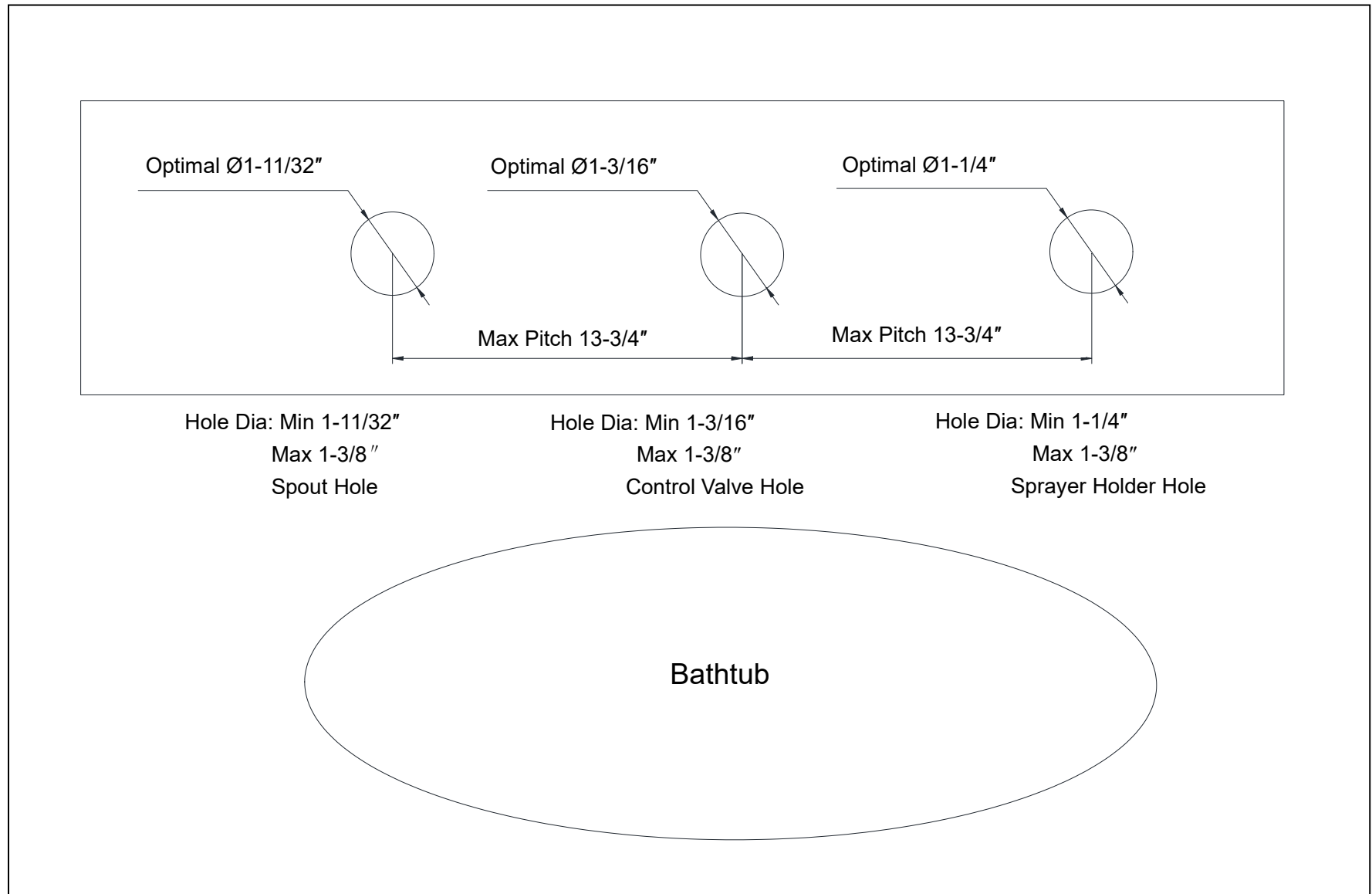
NO	ITEM NAME	MATERIAL	QTY	PART NO.	NO	ITEM NAME	MATERIAL	QTY	PART NO.
1	Handle	Zn Alloy No.3	1	PHD21380XX	22	Rubber Washer	NBR	1	PRW45302XX
2	Set Screw	SUS304	1	PSC05050XX	23	Metal Washer	SUS304	1	PRW45303XX
3	Allen Wrench 2.5mm	Fe45#	1	PSA00003XX	24	M28x1.5 Lock Nut	HPB59-1	1	PNT00016XX
4	Screw Cover	ABS	1	PSA00002XX	25	Diverter Valve	HPB59-1	1	PCN21384PB
5	Bonnet Cap	HPB59-1	1	PFC42125XX	26	Lock Nut	HPB59-1	1	PNT21380XX
6	Bonnet	HPB59-1	1	PSC42125XX	27	Rubber Washer	NBR	2	PRW19020XX
7	40#Cartridge	ASSEMBLE	1	PCT40004XX	28	Supply Nipple	HPB59-1	1	PCN21260XX
8	Brass Sleeve	HPB59-1	1	PSL21370XX	29	Rubber Washer	NBR	1	PRW14015XX
9	O-Ring	NBR	1	POR46025XX	30	Handheld Shower	ASSEMBLE	1	PHS32230XX
10	Escutcheon	HPB59-1	1	PEC21380XX	31	Hand Shower Adapter	ASSEMBLE	1	PCN21385XX
11	O-Ring	NBR	1	POR47030XX	32	Hand Shower Holder	HPB59-1	1	PHH21380XX
12	Cartridge Seat	HPB59-1	1	PEC21371XX	33	O-Ring	NBR	1	POR44040XX
13	Cartridge Shank	SUS304	1	PNT00042XX	34	Shank	HPB59-1	1	PNT00011XX
14	Rubber Washer	NBR	1	PRW49352XX	35	Rubber Washer	NBR	1	PRW48322XX
15	Metal Washer	SUS304	1	PRW50342XX	36	Metal Washer	SUS304	1	PRW50401XX
16	Lock Nut	SUS304	1	PNT00043XX	37	M32x1.5 Lock Nut	HPB59-1	1	PNT00027XX
17	Set Screw	SUS304	6	PSC00001XX	38	Hand Shower Sleeve	POM	1	PSA00012XX
18	Diverter Knob	HPB59-1	1	PHD21381XX	39	Flow Restrictor	ASSEMBLE	1	PAE00035XX
19	Spout	HPB59-1	1	PSP21381XX	40	Shower Hose	ASSEMBLE	1	PFH00016XX
20	O-Ring	NBR	1	POR37030XX	41	G1/2" Hose	ASSEMBLE	1	PFH00020XX
21	Outlet Diverter Valve	ASSEMBLE	1	PVB21385XX	42	Supply Hose	ASSEMBLE	2	PFH00006XX

If any of these items are missing, please contact SUMERAIN consumer service by email to: [supports@sumerain.com](mailto:supports@sumerain.com).

#### 4. INSTALLATION HOLES INSPECTION

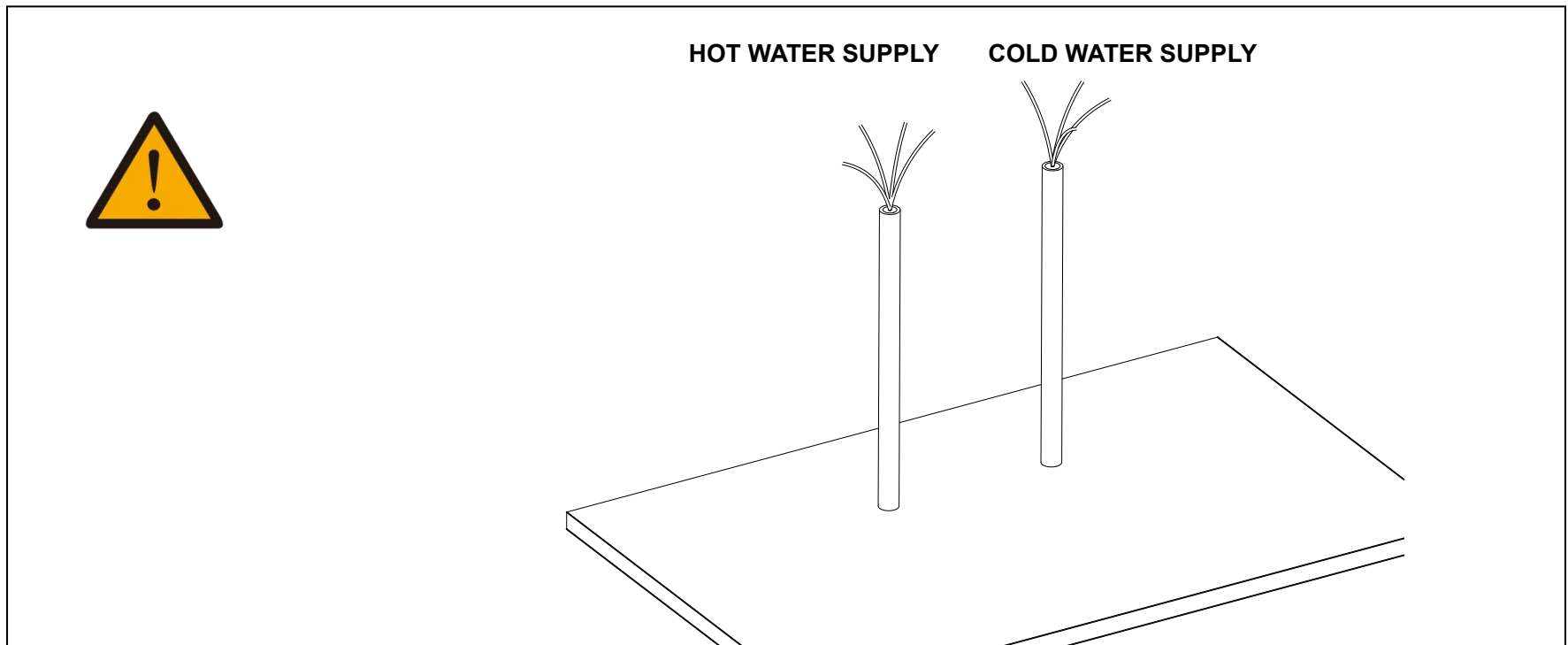


Verify that the hole sizes and positions in the wall are accurate. The recommended diameter of the mounting hole is 1-3/8", and the maximum deck thickness should not exceed 1-9/16".

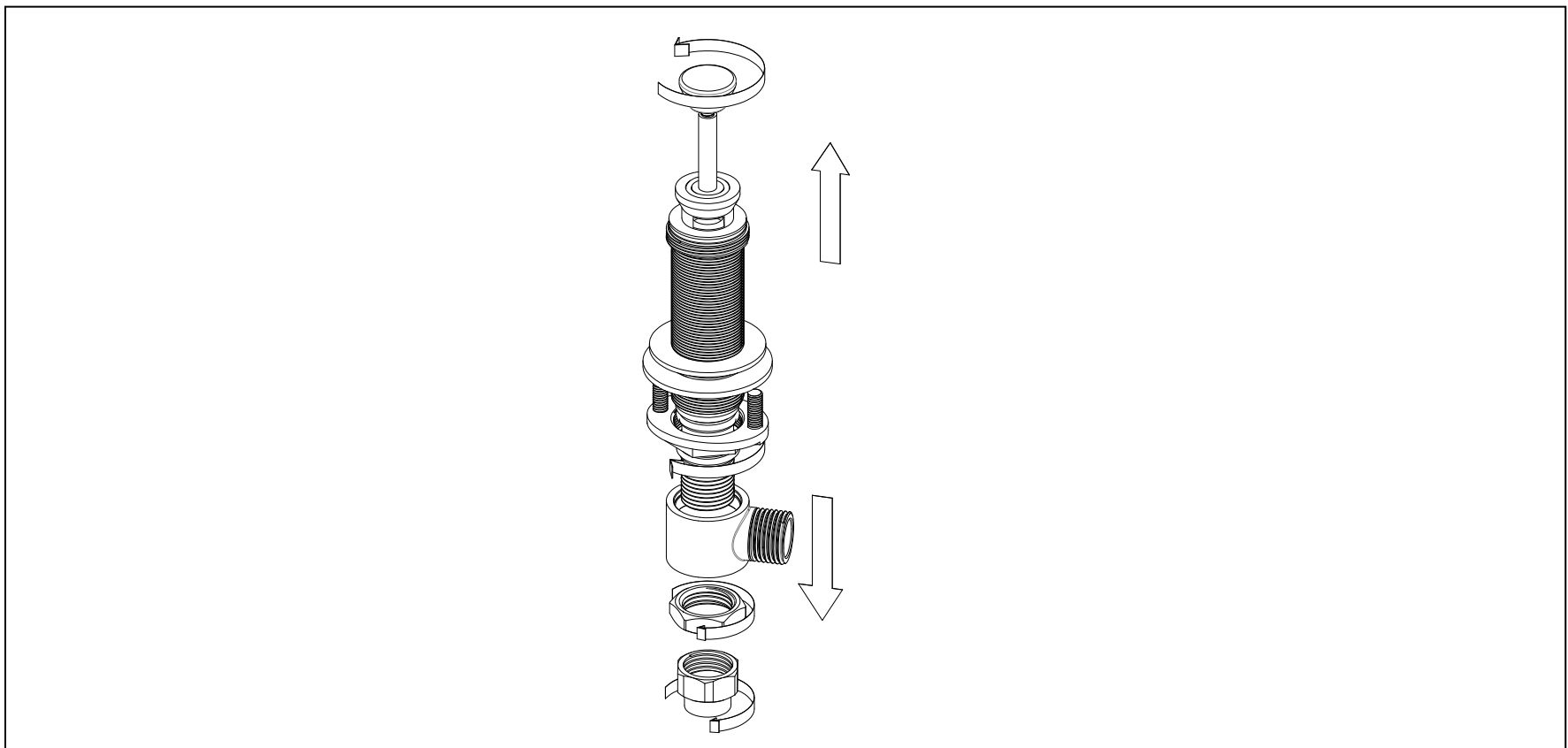


## 5. INSTALLATION

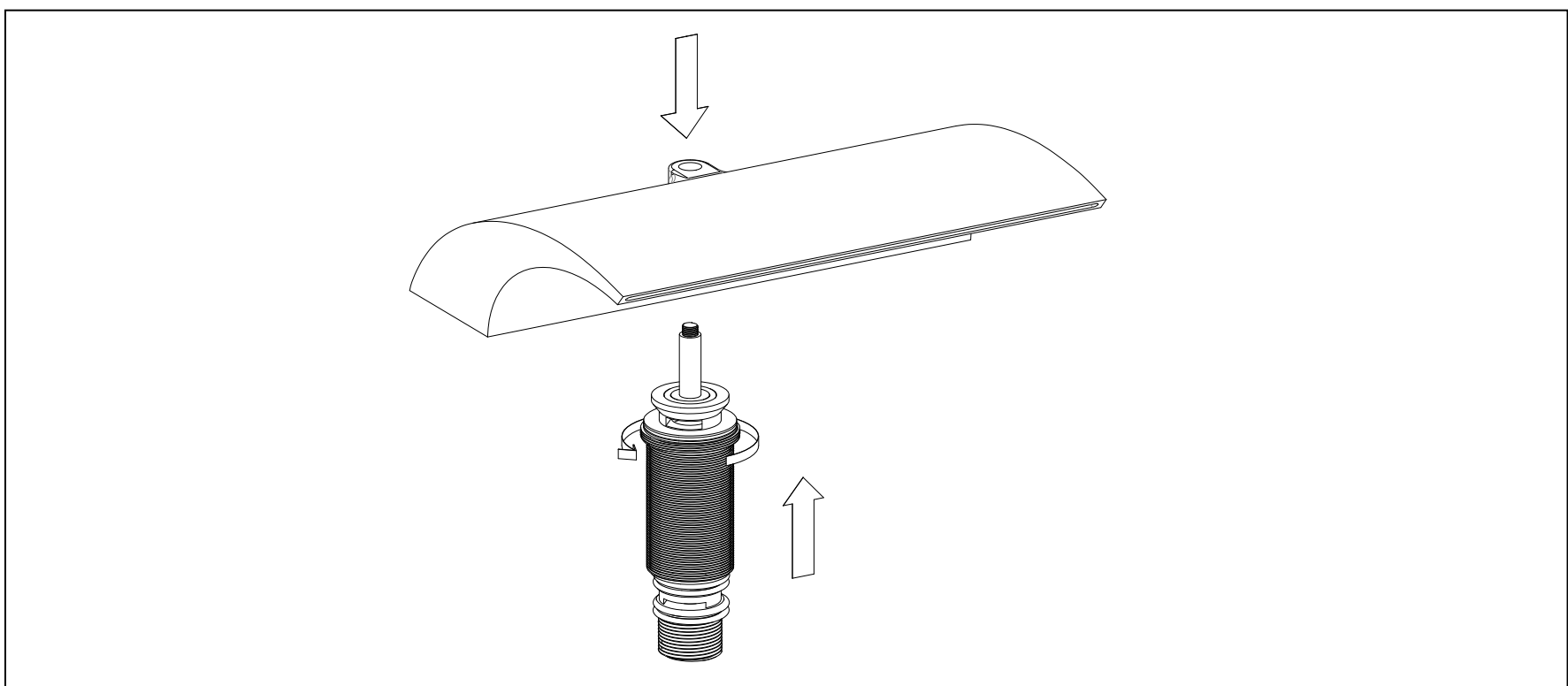
5.1 Turn on the shut-off valves to flush the hot and cold water supply lines before connecting them to the faucet. Allow the water to run for 3-5 minutes to remove dirt and debris. Once finished, shut off the water supply again.



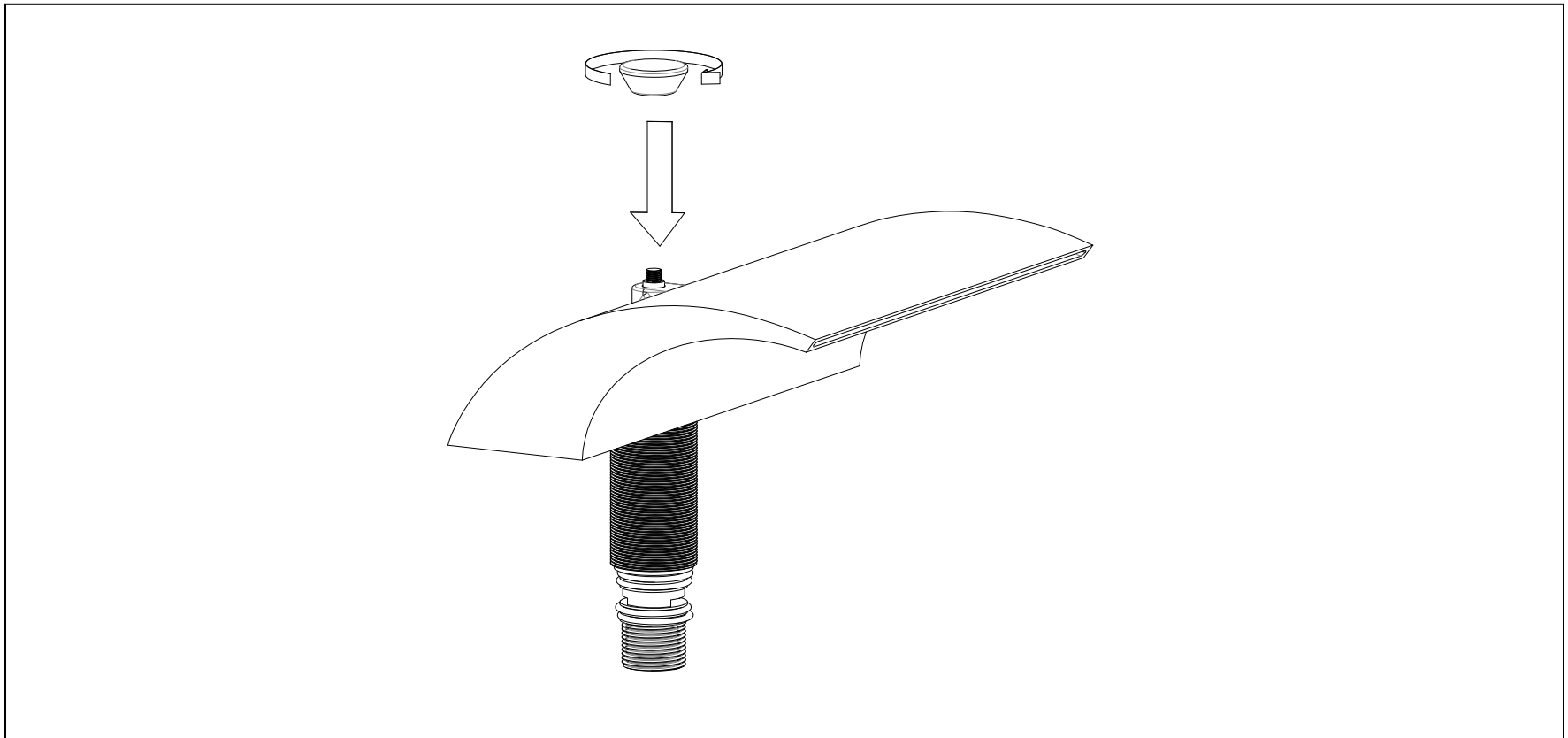
5.2 Disassemble the diverter valve assembly.



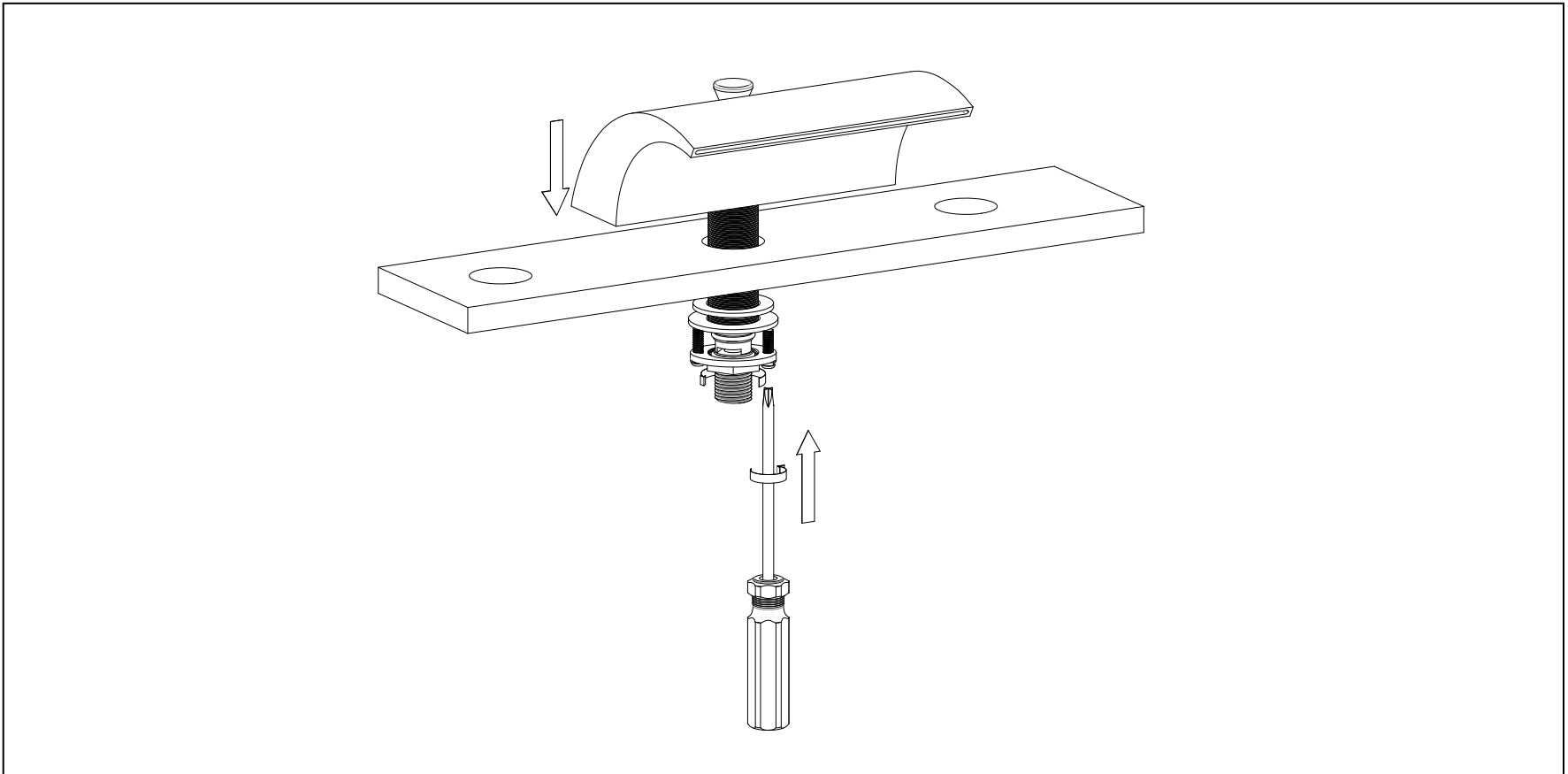
5.3 Attach the diverter valve body to the spout securely.



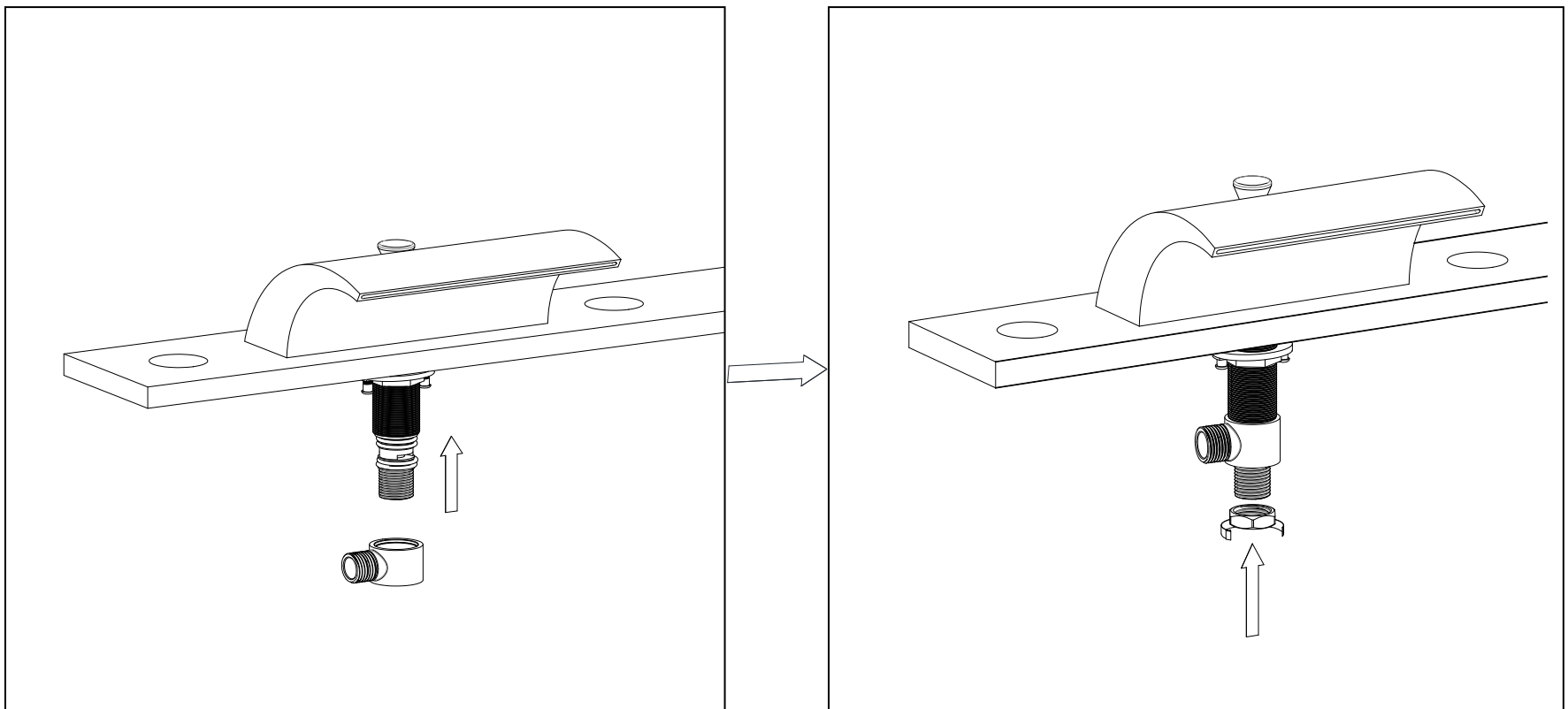
**5.4** Attach the diverter knob to the diverter rod securely.



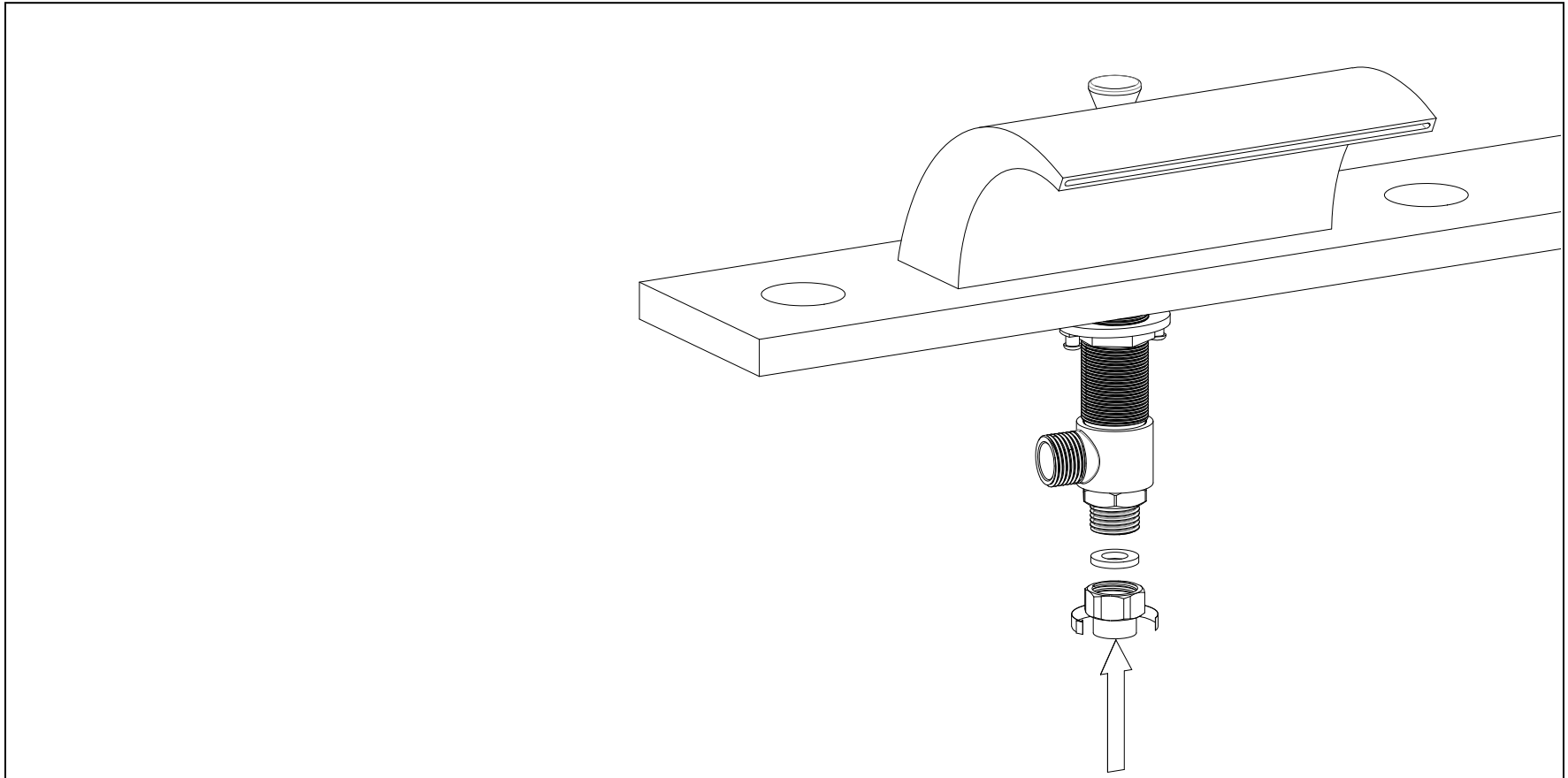
**5.5** Position the spout over the mounting hole, place the rubber washer onto the spout shank, and secure it from underneath using the shank lock nut with a screwdriver.



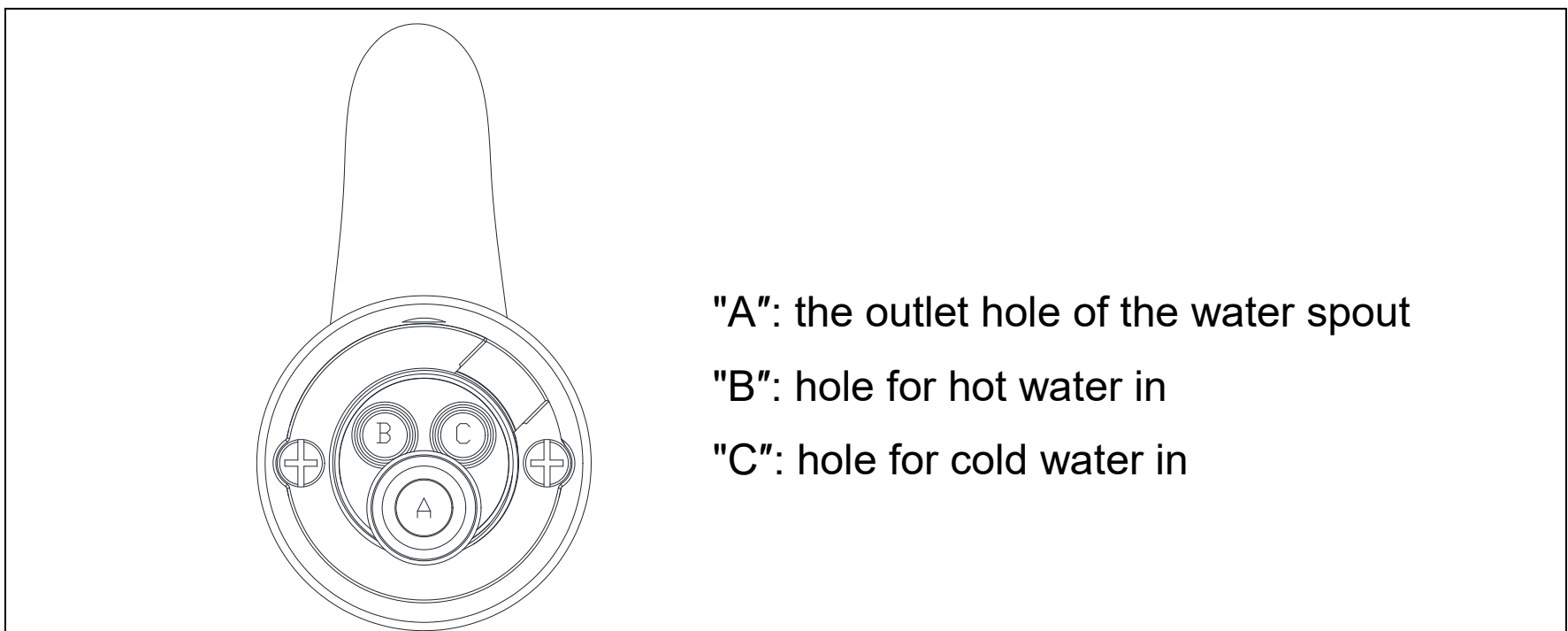
**5.6** Securely attach the tee to the diverter valve body and fasten it in place using the lock nut.



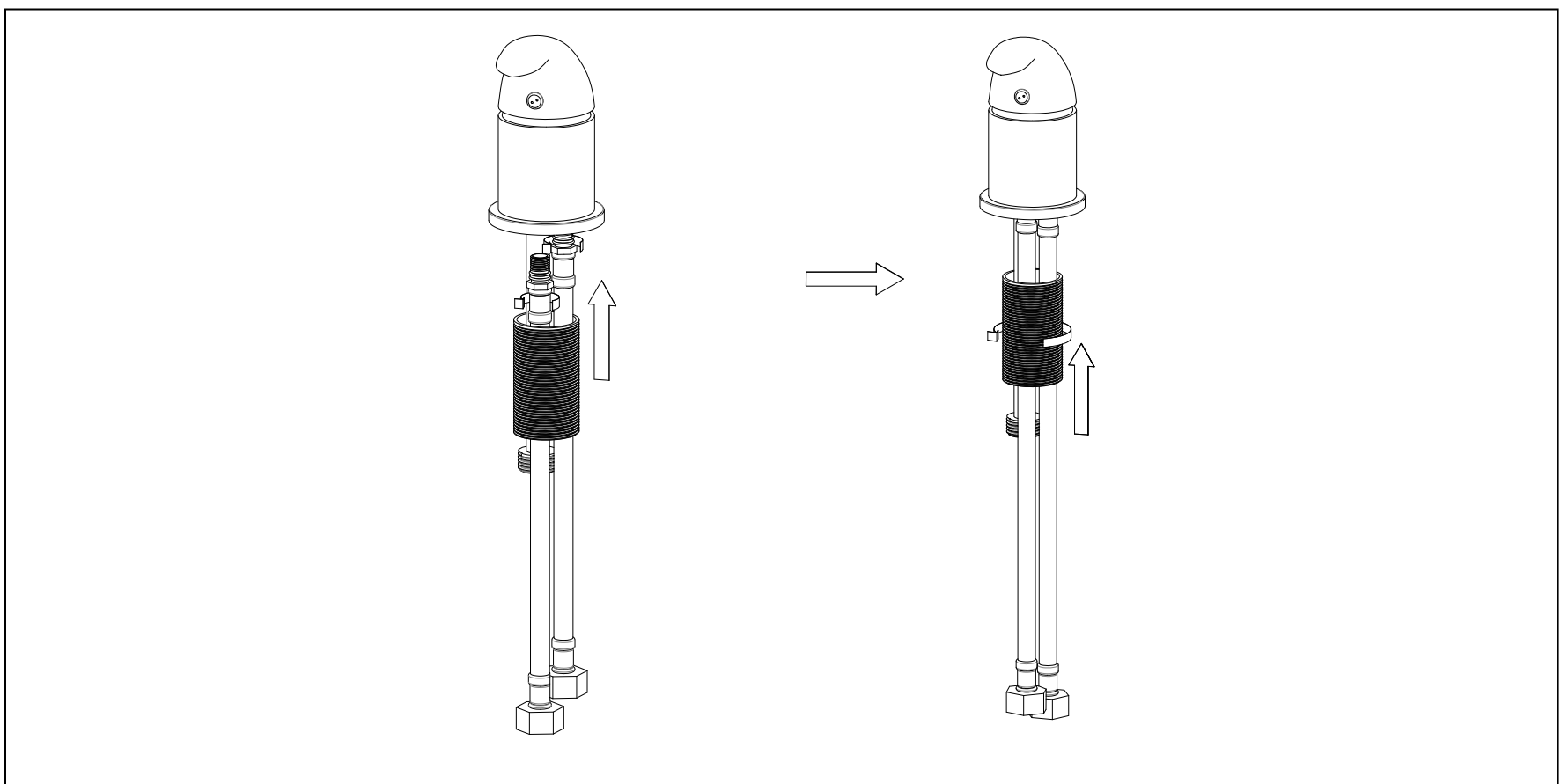
5.7 Install the supply nipple onto the diverter valve body.



5.8 Screw the hoses into the bottom of the control valve as shown in the drawing below.

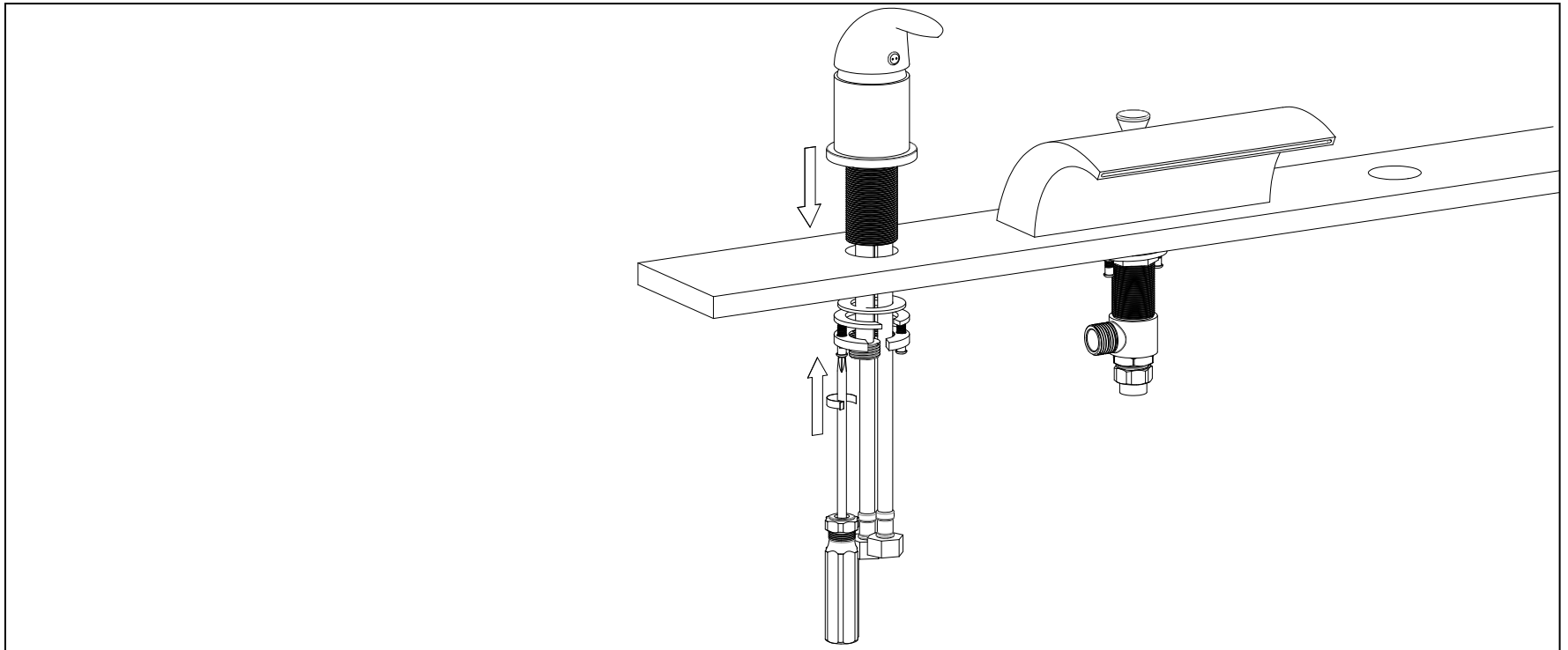


Bottom view of control valve

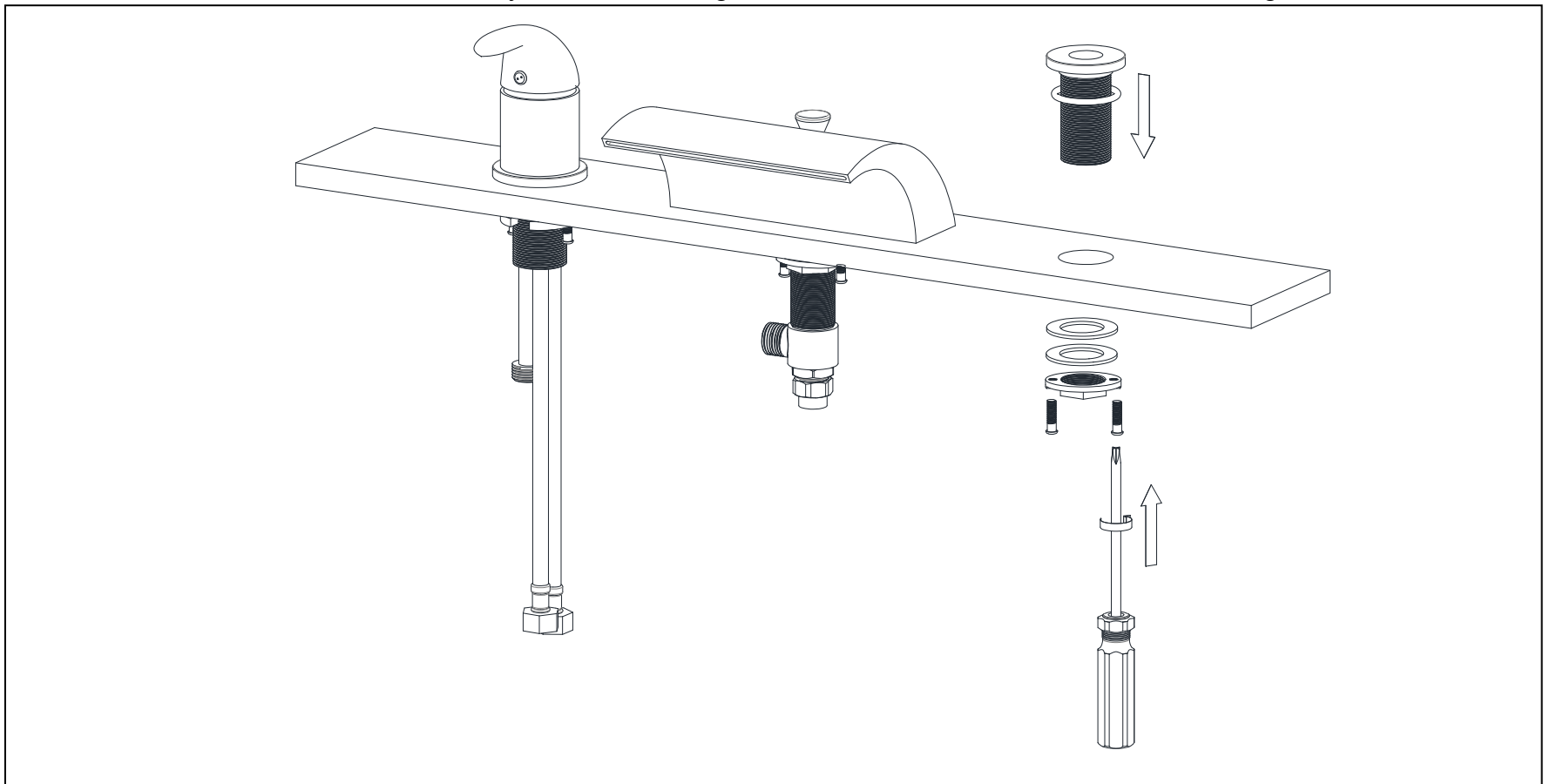


Hoses connection

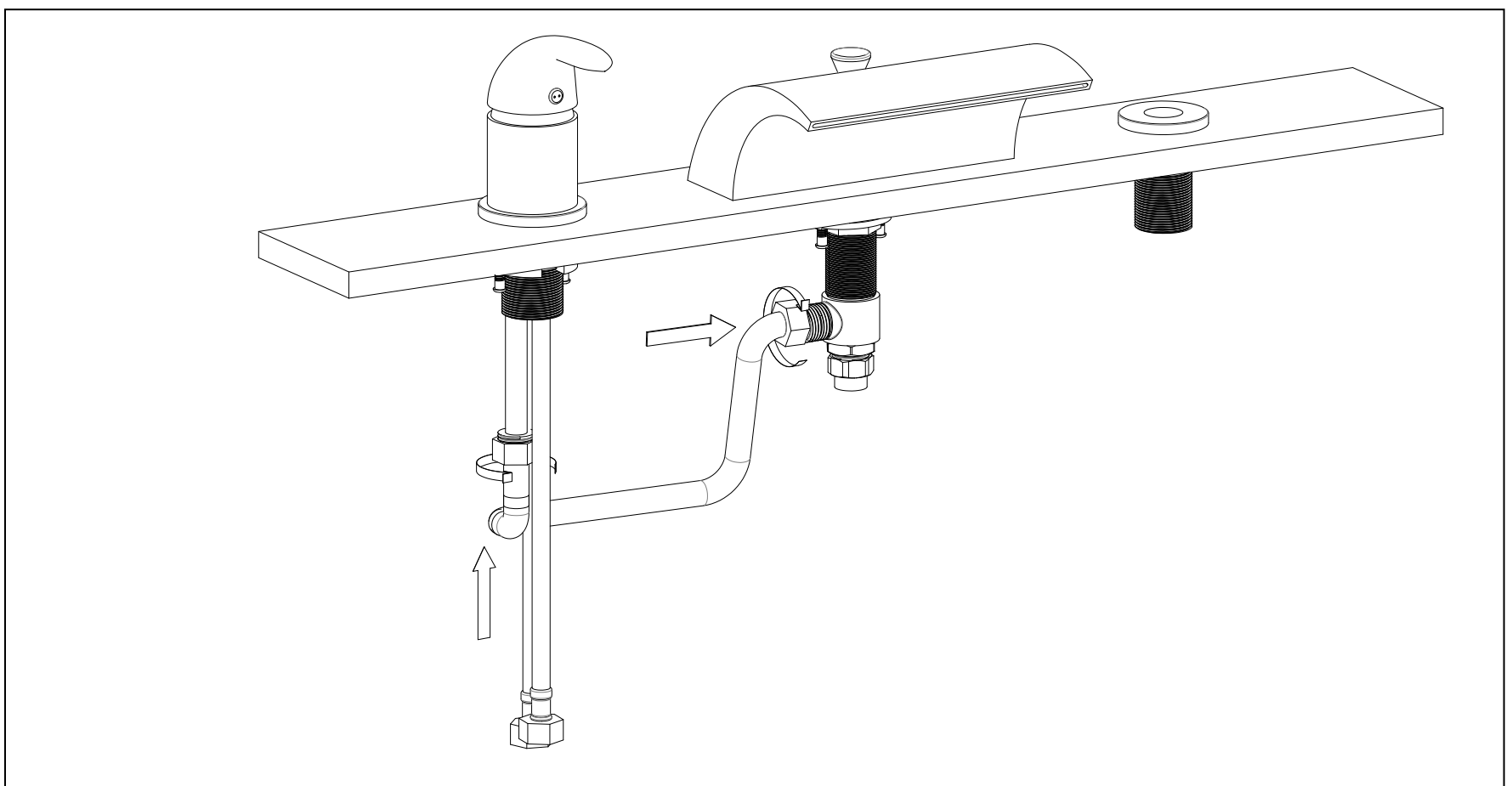
**5.9** Position the control valve with the hoses on the mounting surface and secure it using the lock nut and a screwdriver.



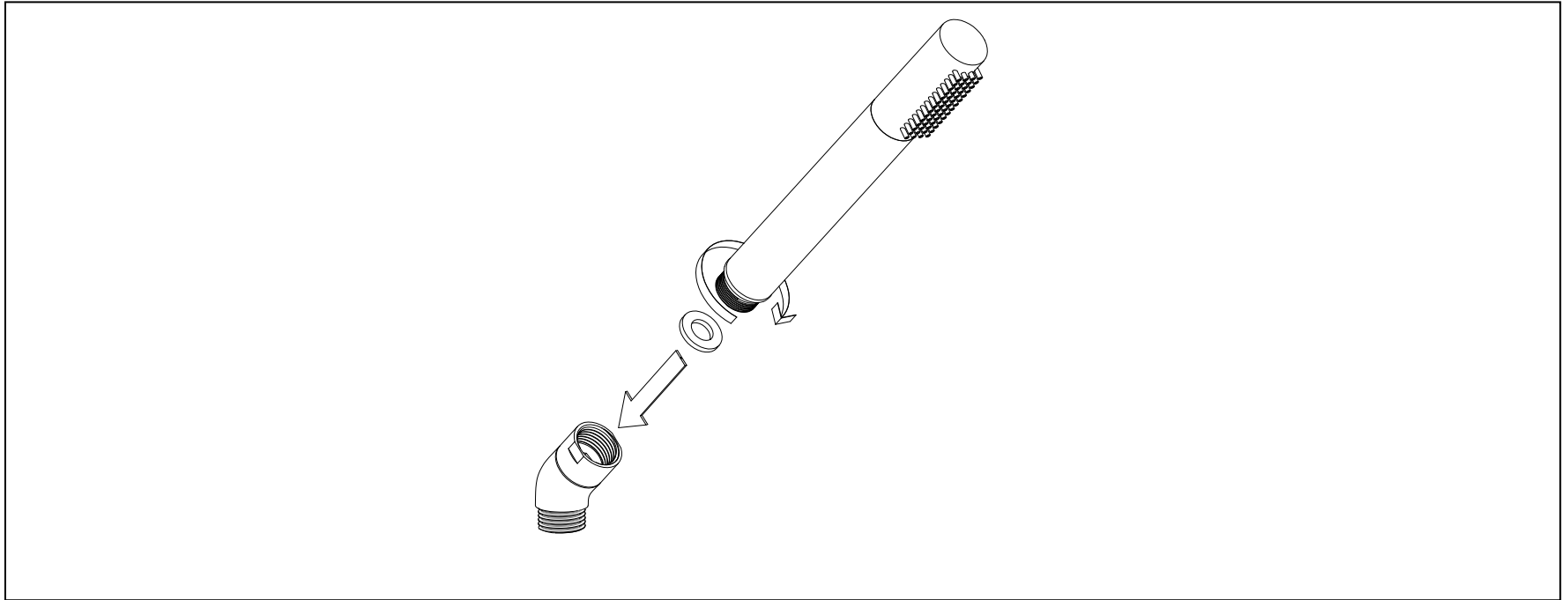
**5.10** Position the shower holder assembly on the mounting surface and secure it with the lock nut using a screwdriver.



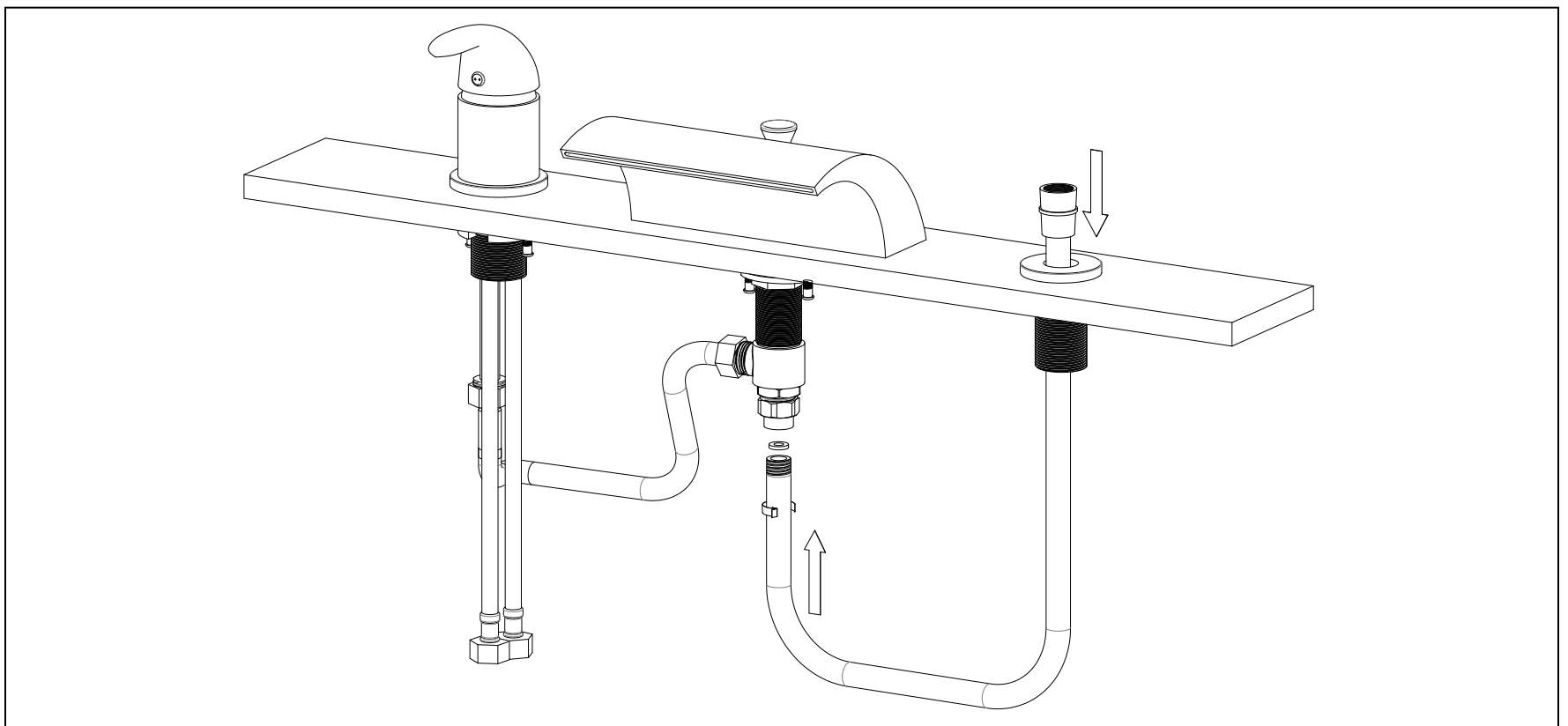
**5.11** Connect the outlet of the control valve to the inlet of the spout diverter valve using the hose.



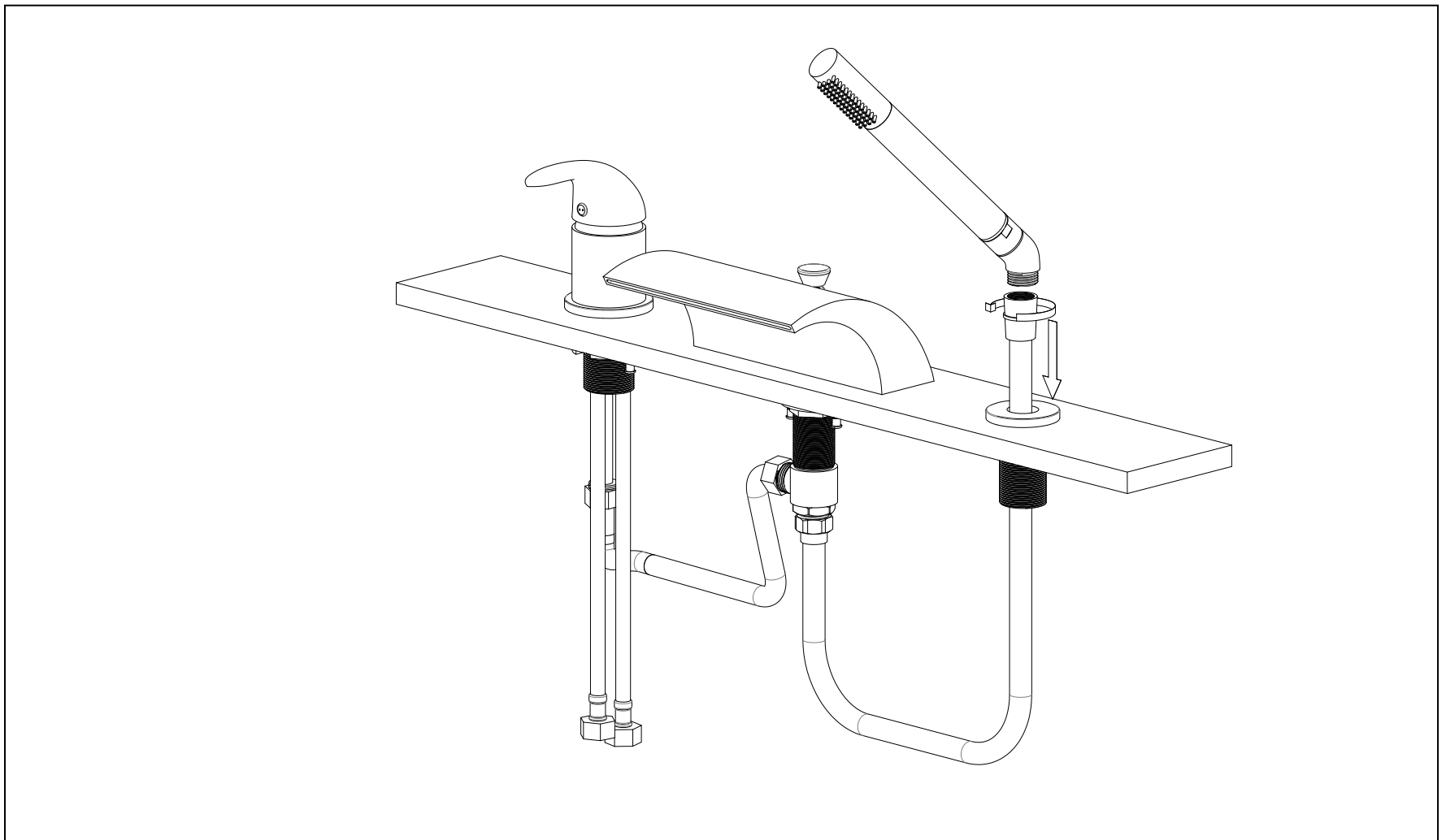
**5.12** Screw the hand shower into the hand shower adapter. Ensure the rubber washer is properly installed to prevent leaks.



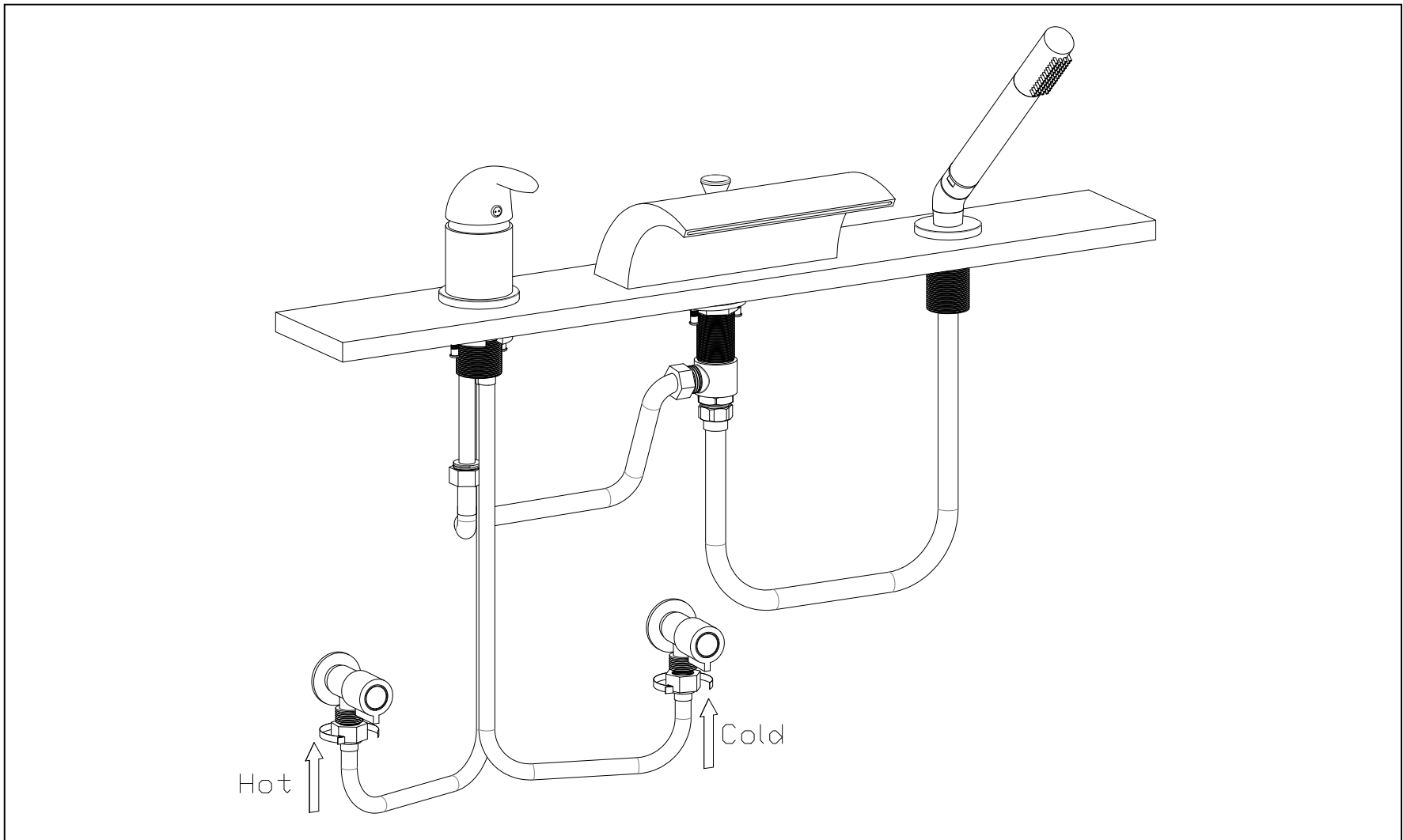
**5.13** Attach the shower hose to the diverter valve body as illustrated.



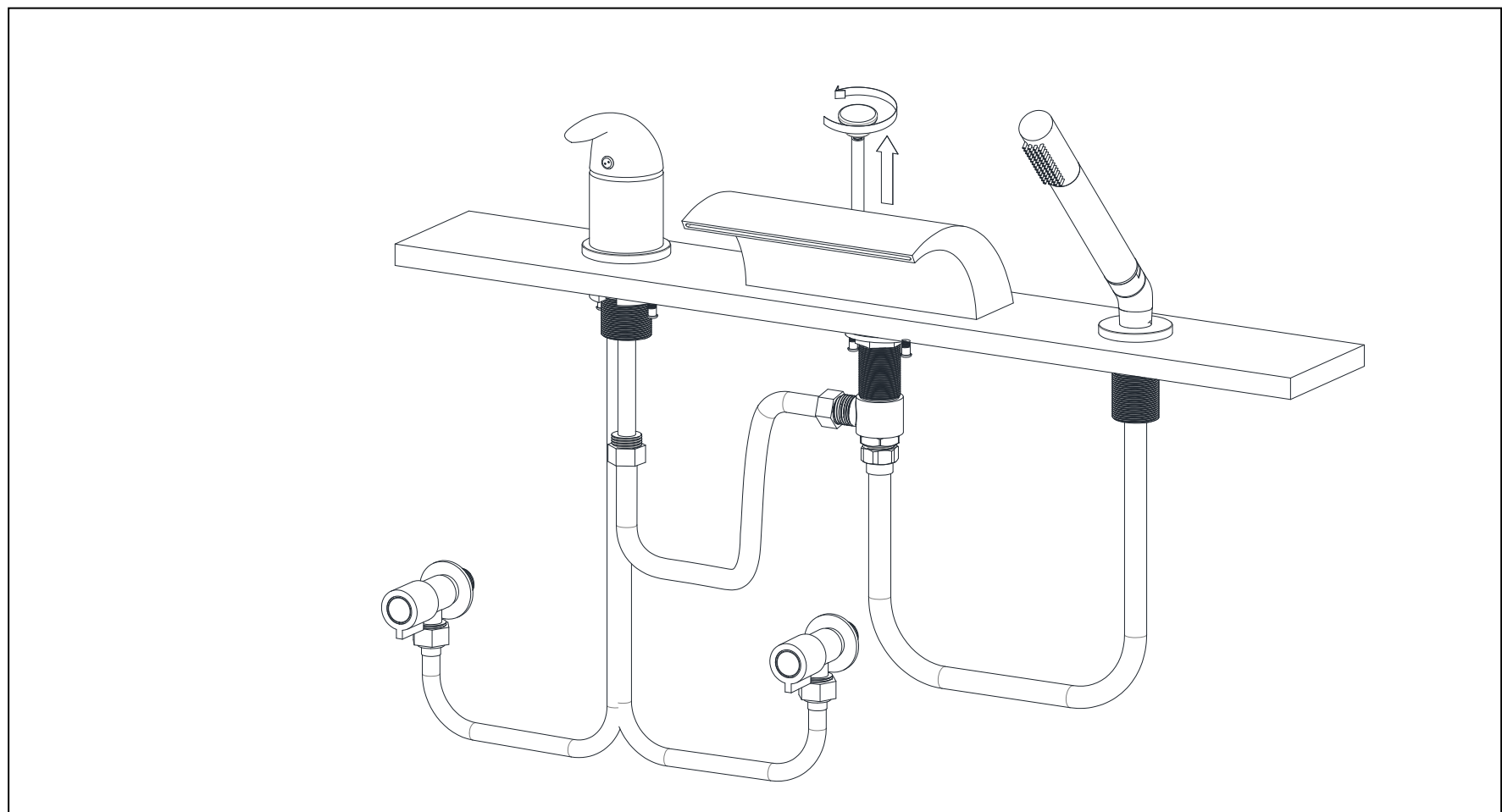
**5.14** Attach the handheld shower to the end of the shower hose, ensuring the correct alignment.



**5.15** Connect all components using the flexible hose.



**5.16** Pull up the diverter knob to switch the water flow to the hand shower. Rotate the diverter knob clockwise within 15 to 165 degrees to lock the hand shower in place. Continue rotating to the 180-degree position to release the diverter knob, which will automatically retract and switch the water flow back to the spout.



## **6. INSPECTION**

**6.1** Turn on the hot and cold water supplies and check all connections for leaks to ensure proper installation.

**INSTALLATION COMPLETED.**

## CLEANING RECOMMENDATION FOR SUMERAIN PRODUCTS

Modern lavatory faucets, kitchen faucets, and showers are crafted from a variety of materials to meet the market's demands for both design and functionality. To prevent damage and reduce the likelihood of returns, it is essential to follow the recommended cleaning guidelines.

### Cleaning Materials for faucets & showers

When cleaning faucets and showers, it is essential to follow these professional guidelines:

- Use acidic cleaning agents specifically formulated for lime removal.
- Only use cleaning products designed for this purpose to avoid damage.
- Do not use cleaning agents containing hydrochloric, formic, phosphoric, or acetic acid, as these can cause severe damage to the surface.
- Never mix different cleaning agents, as this may lead to harmful chemical reactions.
- Avoid abrasive cleaning products or tools, such as unsuitable cleaning powders, rough sponge pads, or microfiber cloths that could harm the finish.

### Cleaning instructions for faucets & showers

Please follow the cleaning material manufacturer's instructions carefully. Additionally, observe the following guidelines to maintain your faucets and showers:

- Clean faucets and showers regularly as needed to preserve their optimal function and appearance.
- Use the recommended amount of cleaning product and apply it for the specified duration. Avoid leaving the cleaner on the surface longer than necessary to prevent potential damage.
- Regular cleaning helps prevent calcification. For scale deposits on faucet surfaces or spouts, use a commercial descaler such as Lime-Away® or CLR®.
- If rust forms due to hard water, gently remove it by rubbing the affected area with aluminum foil soaked in water until smooth. Then, apply a small amount of chrome polish or an appropriate product like automotive wax (e.g., Meguiar's® or Turtle Wax®) to restore the finish.
- Solid stainless steel faucets and spouts, especially waterfall designs, usually lack a protective coating. While stainless steel resists tarnishing, it can oxidize over time. Keep stainless steel fixtures clean and dry, and use a stainless steel-specific cleaner such as Weiman® or CLR® for proper maintenance.
- When using spray cleaners, apply the product to a soft cloth or sponge first instead of spraying it directly onto the faucet. This prevents water droplets from entering the faucet openings and causing damage.
- After cleaning, rinse all surfaces thoroughly with clean water to remove any cleaner residue.

### Important

Residues from liquid soap, shampoo, and shower gel can contribute to surface damage over time. To prevent this, thoroughly rinse these substances off with clean water after each use



**Note: If the surface is already damaged, using cleaning materials may worsen the damage.**

**Components with damaged surfaces must be replaced to prevent potential injury.**

**Please note that any damage caused by improper use, maintenance, or cleaning is not covered under the warranty.**

# SUMERAIN®

### SUMERAIN INTERNATIONAL GROUP INC

**Address:** 1226 NORTH KING ST NUM 522  
WILMINGTON, DE 19801  
United States

**Tel:** +1(866)203-0866

**Web:** <http://www.sumerain.com>

**E-mail:** [supports@sumerain.us](mailto:supports@sumerain.us)

### HONGKONG SUMERAIN SANITARY INDUSTRY CO., LIMITED

**Address:** FLAT/RM 3B 3/F BANK TOWER  
NOS.351&353 KING'S ROAD  
NORTH POINT  
HK

**Tel:** +86-750-2731579

**E-mail:** [supports@sumerain.com](mailto:supports@sumerain.com)

### SUMERAIN EUROPE SUPPORT

**Address:** Flottwellstr.15  
10785 Berlin,  
Deutschland

**Tel:** +49 (0)30/23975898

**E-mail:** [de@sumerain.com](mailto:de@sumerain.com)