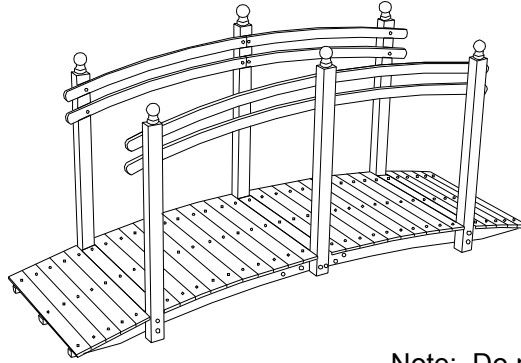



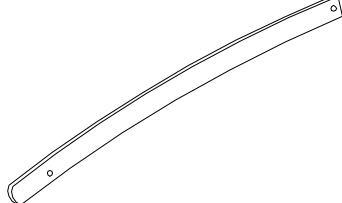
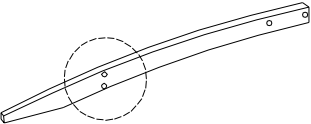
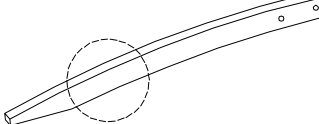
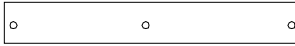

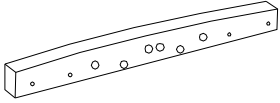
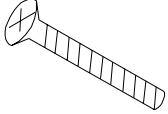
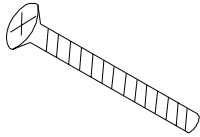
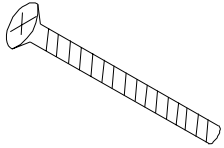
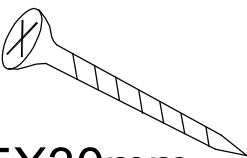

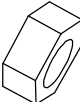



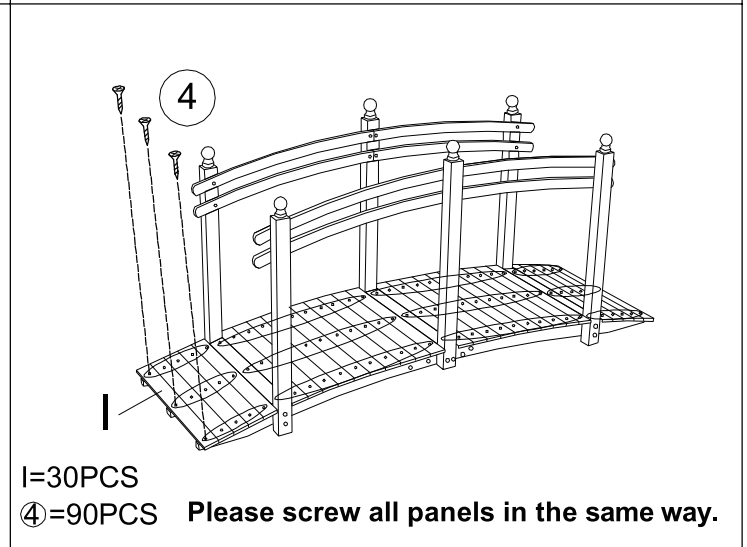
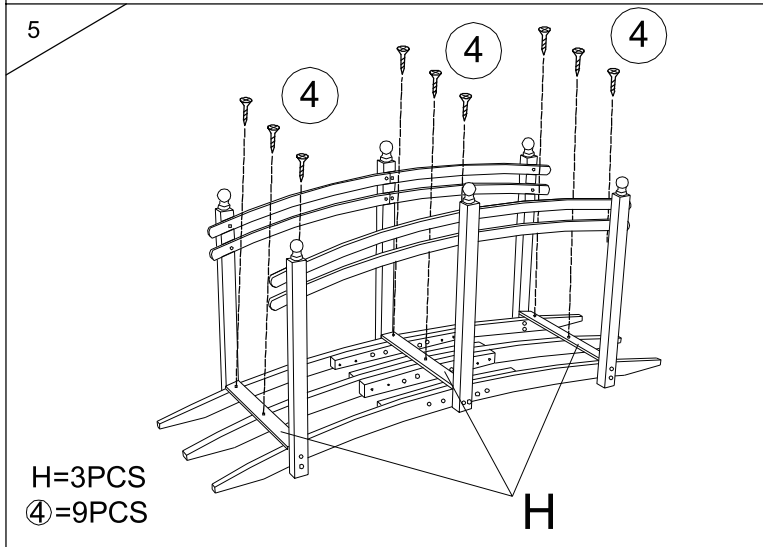
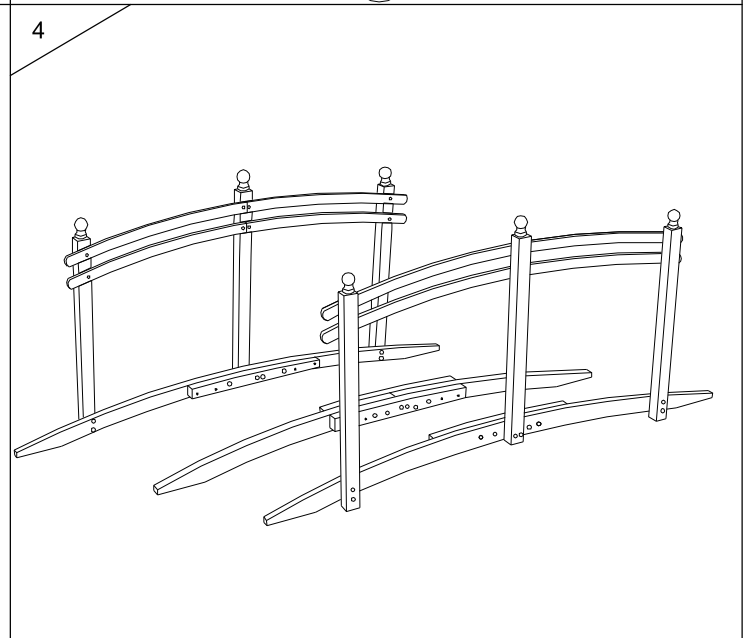
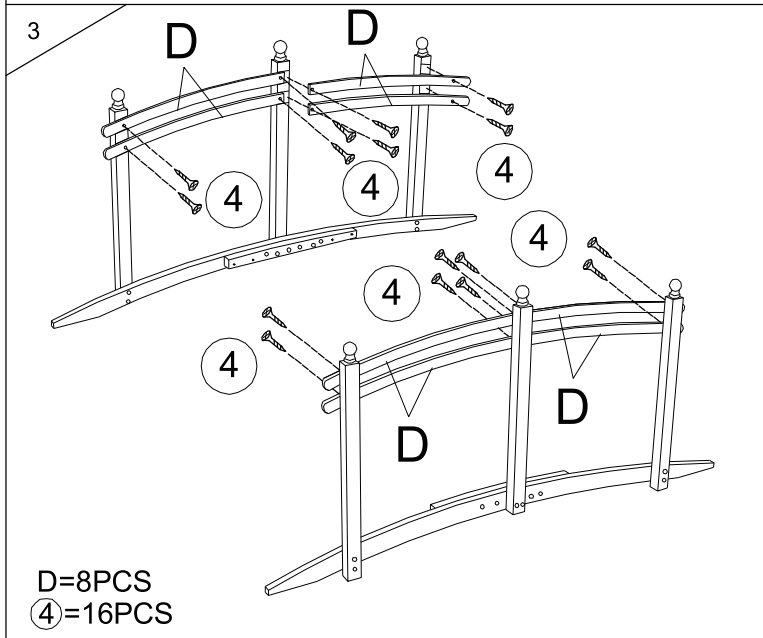
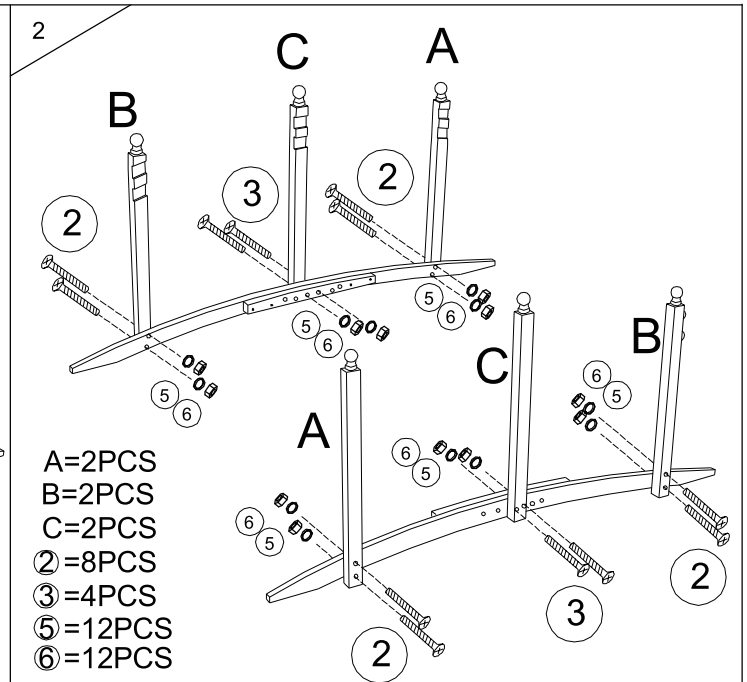
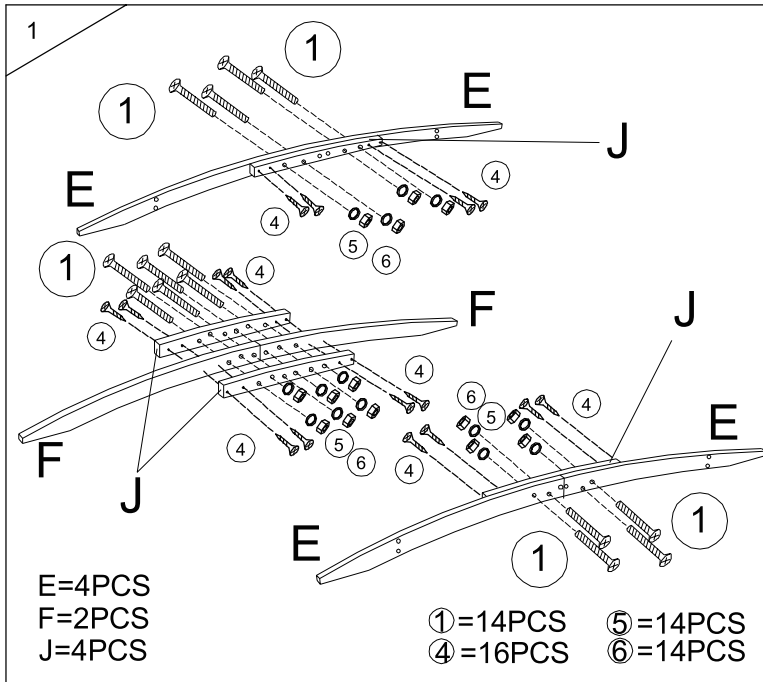


# 7.5-FT WOODEN GARDEN BRIDGE ASSEMBLY INSTRUCTIONS



Note: Do not tighten all screws until last step

A (2pcs) 	B (2pcs) 	C (2pcs) 	D (8pcs) 
E (4pcs) 	F (2pcs) 	H (3pcs) 	I (30pcs) 
J (4pcs) 	① 14 pcs  8X70mm	② 8 pcs  8X100mm	③ 4 pcs  8X110mm
④ 131pcs  3.5X30mm	⑤ 26 pcs 	⑥ 26 pcs 	TOOL 



Thank you so much for shopping with us.  
For any issue or concern, welcome to contact us via: [support@vingli.com](mailto:support@vingli.com)  
If you like our product, please share your experience with us on Amazon!