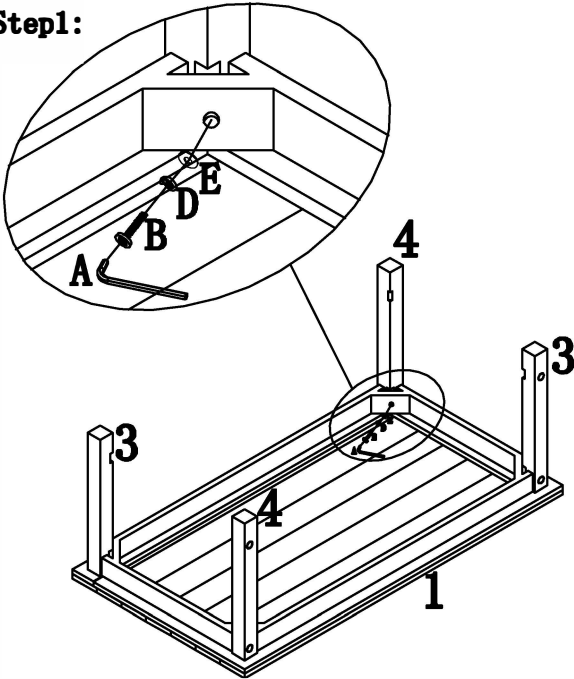


ASSEMBLY INSTRUCTIONS

Thank you for purchasing this quality product. Be sure to check all packing material carefully for small parts that may have come loose inside the carton during shipment.

Step1:



TOOLS REQUIRED (NOT PROVIDED):
PHILLIPS SCREWDRIVER



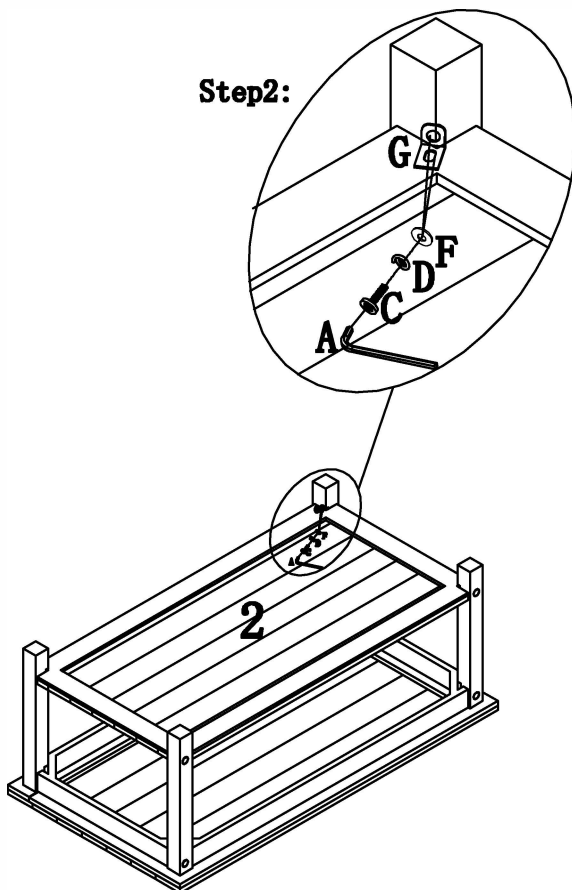
PARTS LIST:

NO.	Description	Sketch	Quantity
1	Top		1PC
2	Shelf		1PC
3	Left Leg		2PCS
4	Right Leg		2PCS

HARDWARE LIST:

NO.	Description	Sketch	Size	Quantity
A	Allen key		M4	1PC
B	Long Blot		1/4" * 2"	4PCS
C	Short Blot		1/4" * 3/4"	8PCS
D	Lock Washer		1/4"	12PCS
E	Spring Washer		1/4" * 19mm	4PCS
F	Spring Washer		1/4" * 16mm	8PCS
G	L type angle			4PCS

Step2:



NOTE: Straight Allen Key (K) is for use with a power drill.

