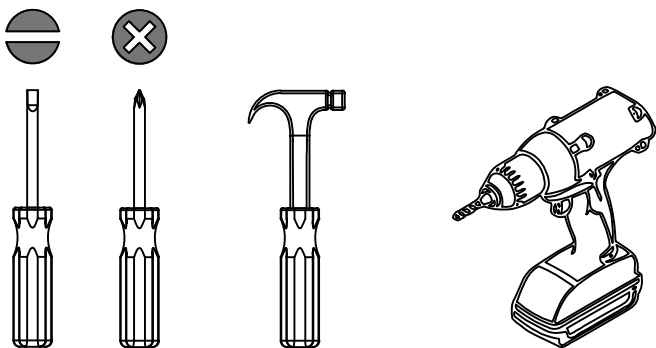
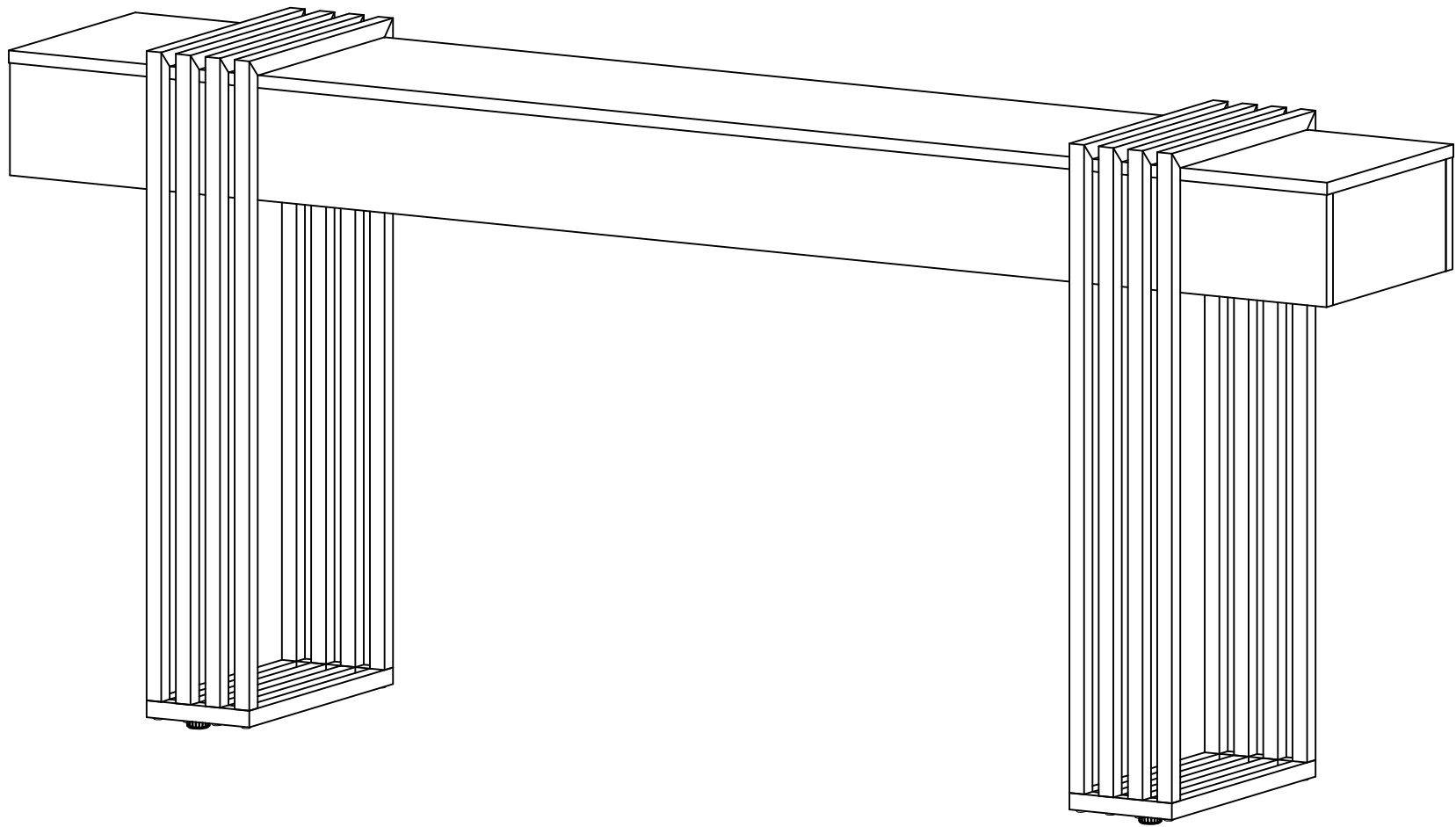
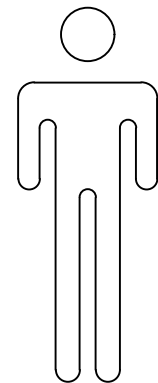


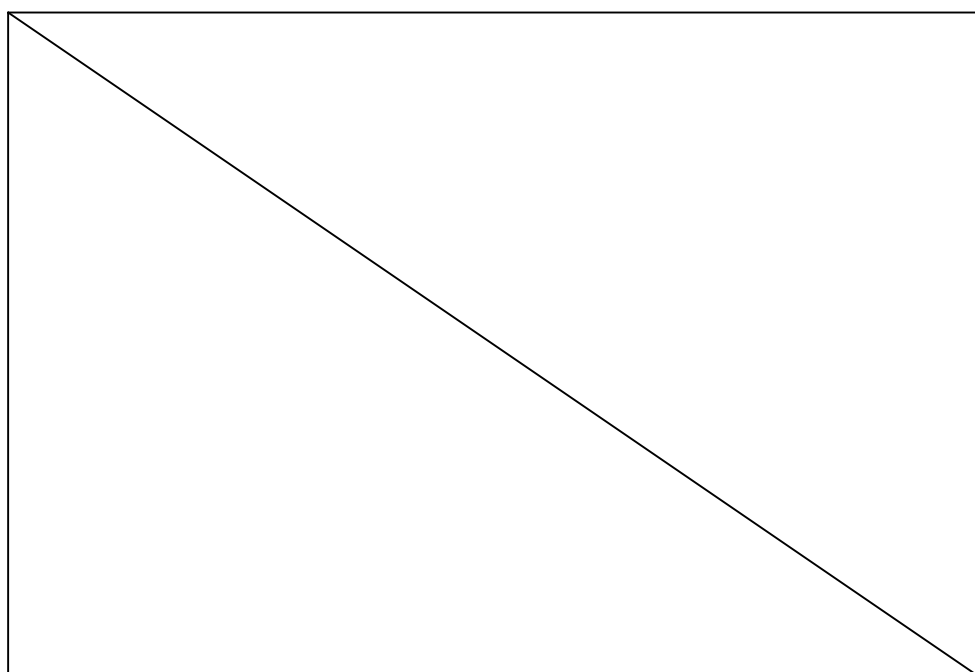
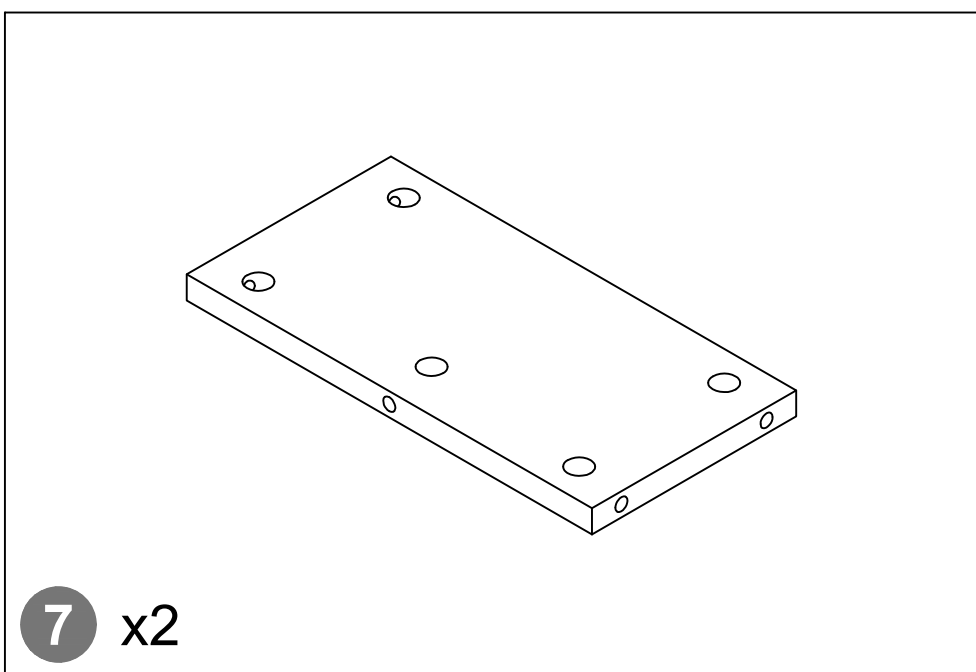
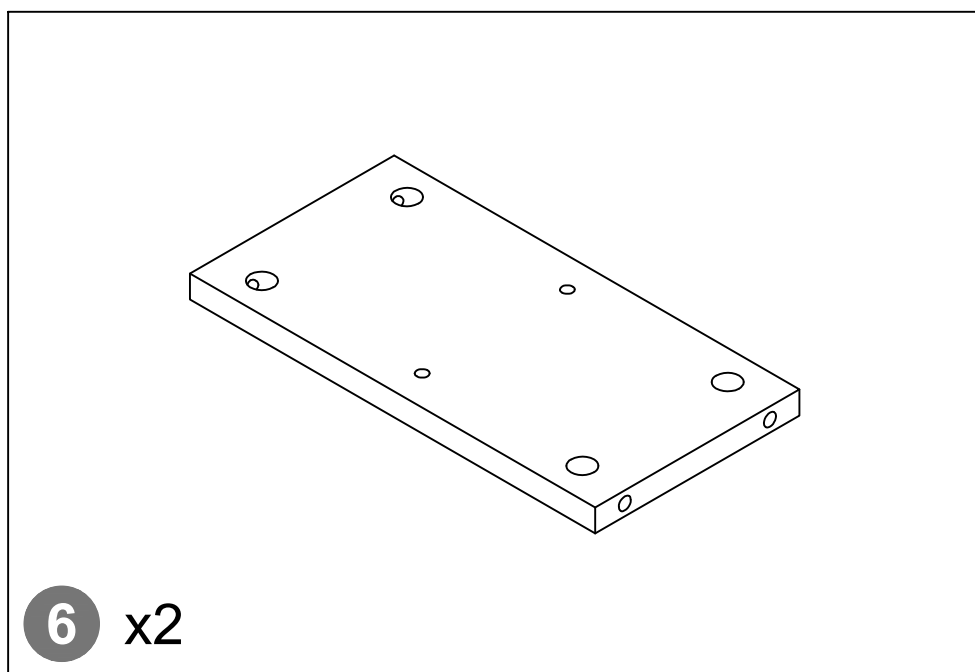
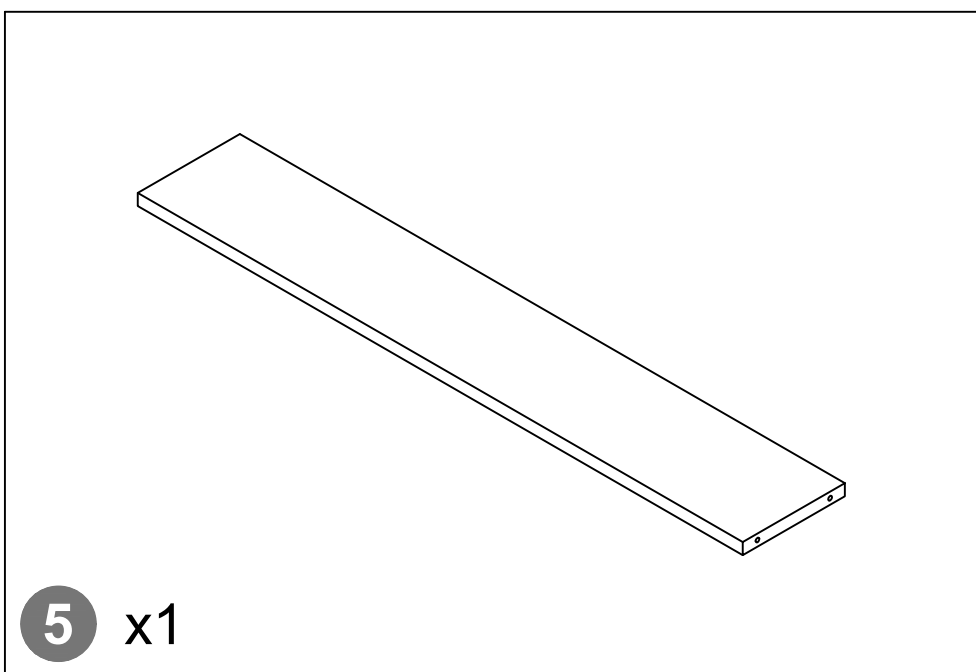
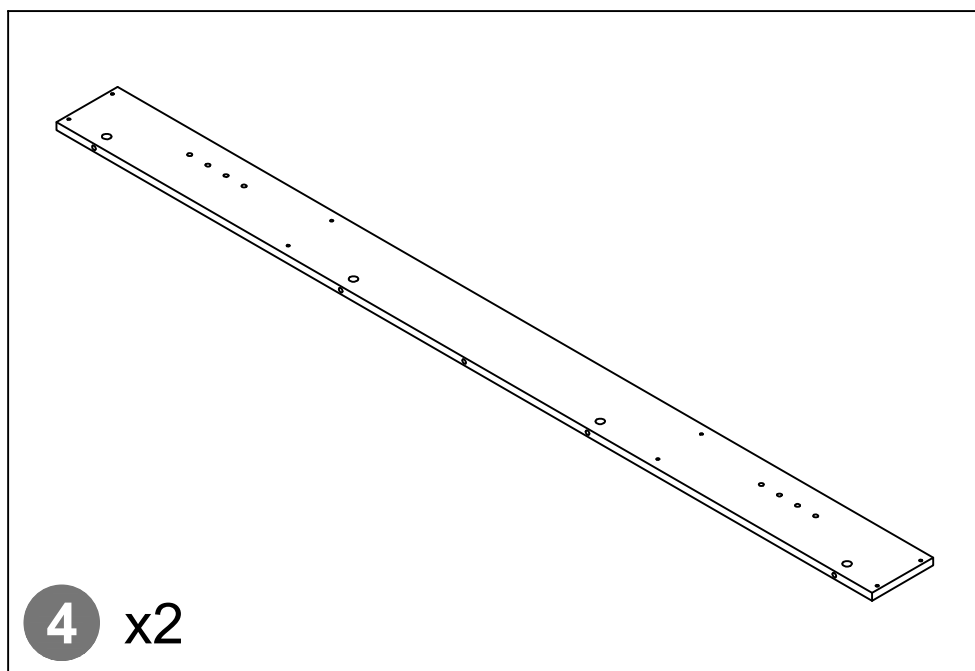
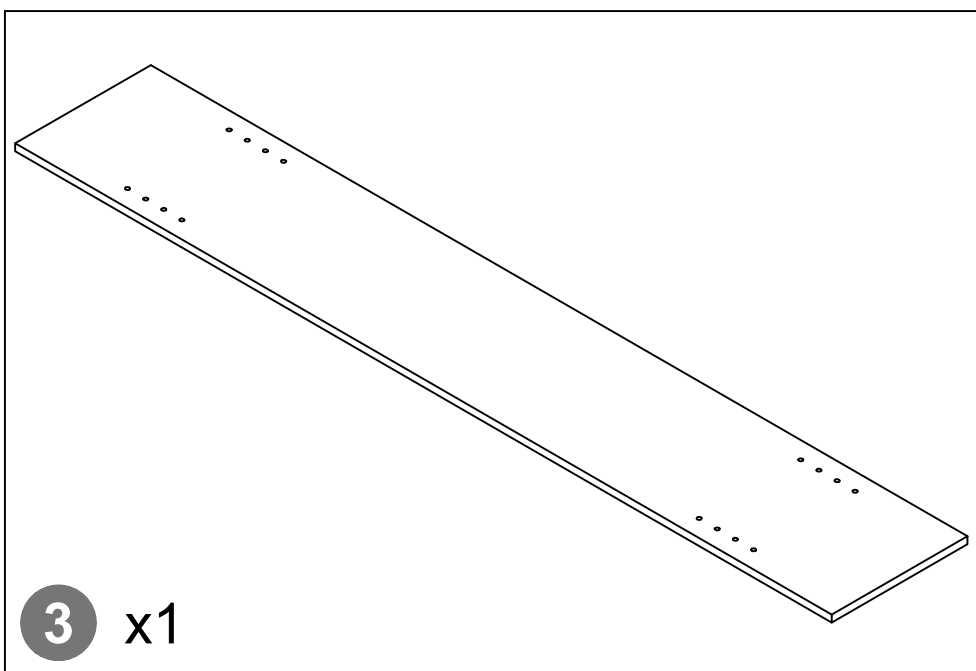
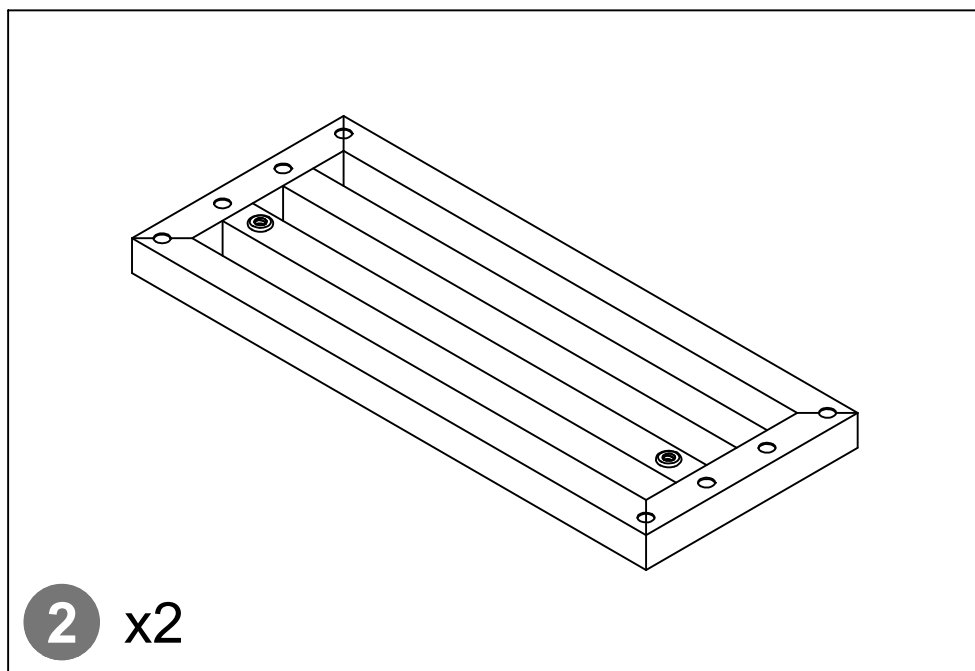
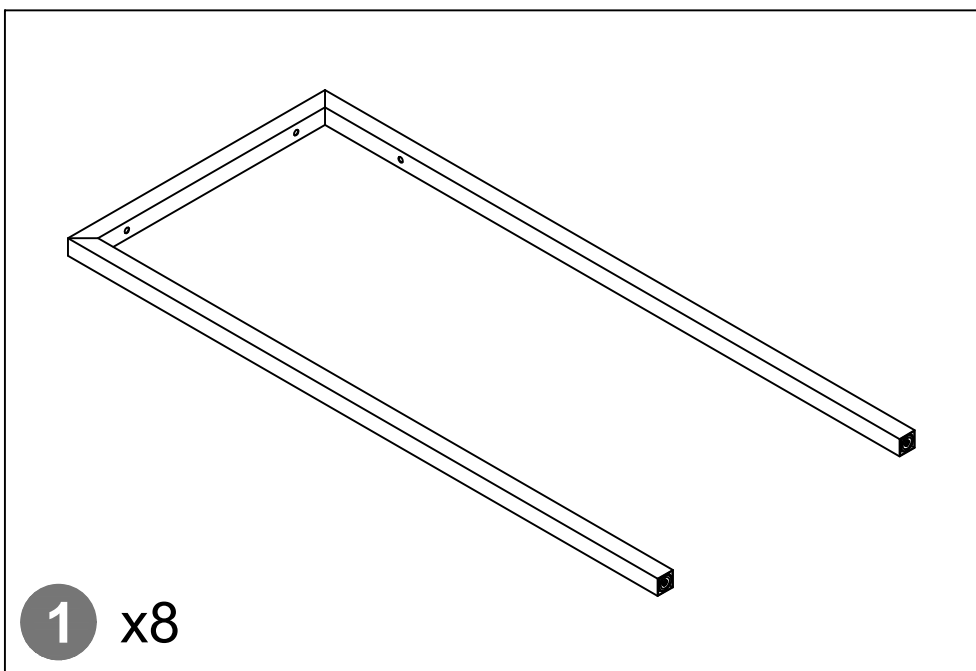
I870101521 / I870101522



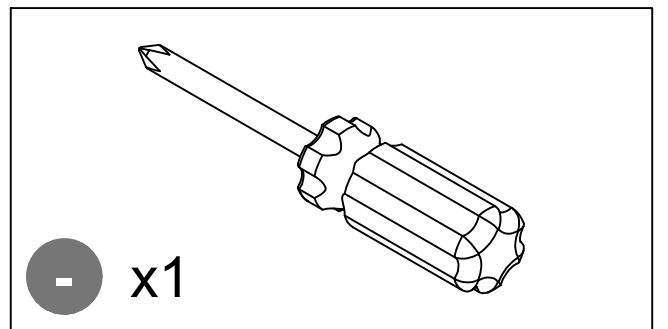
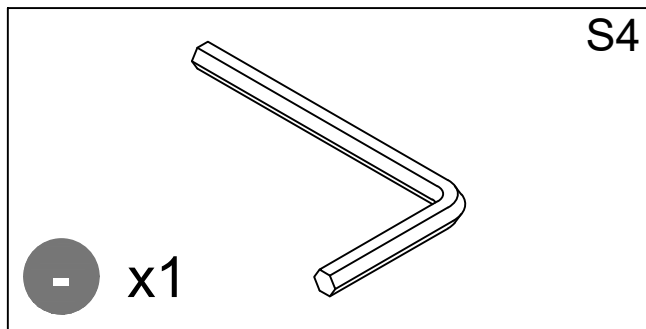
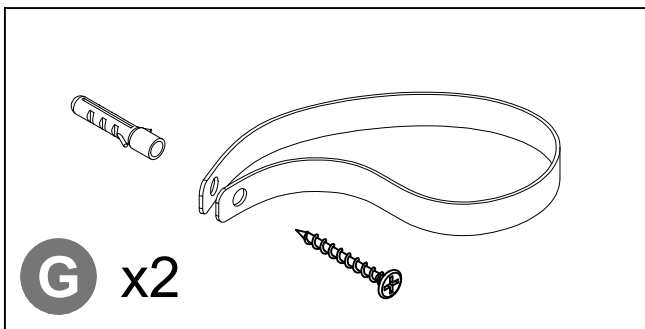
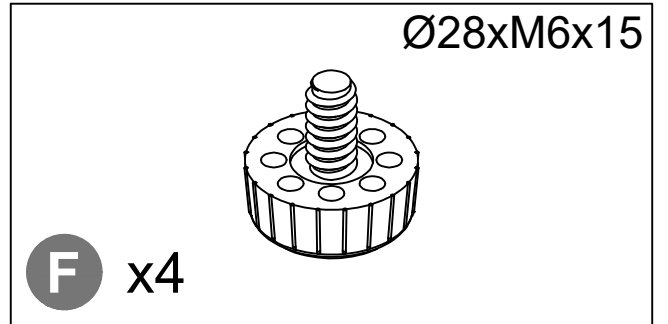
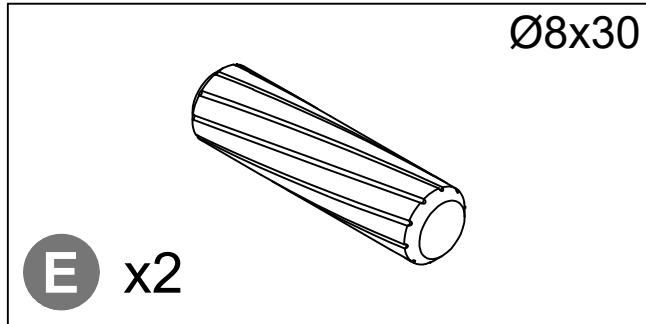
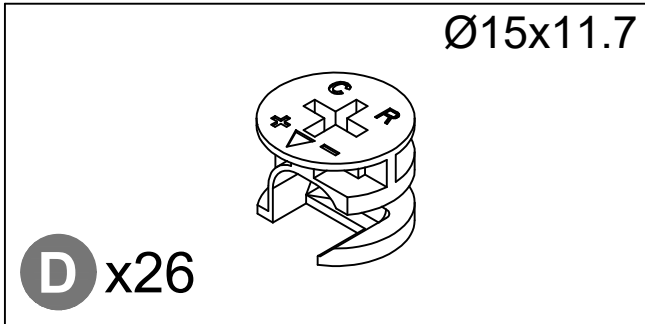
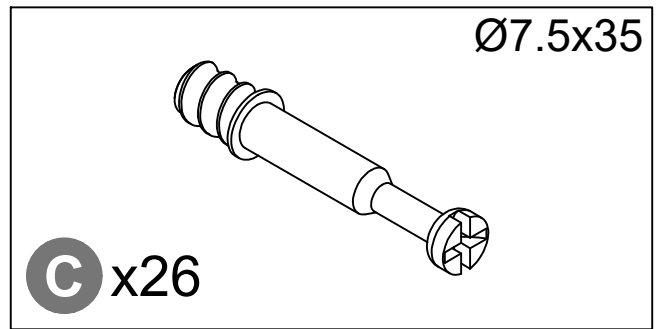
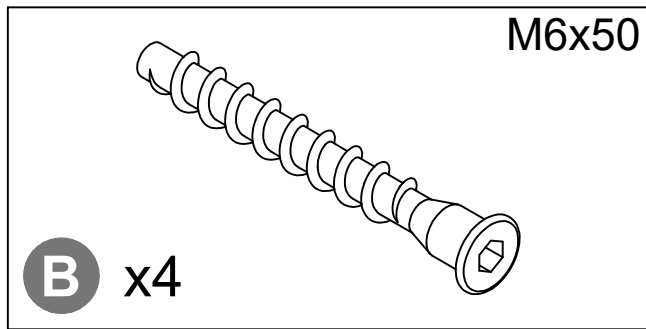
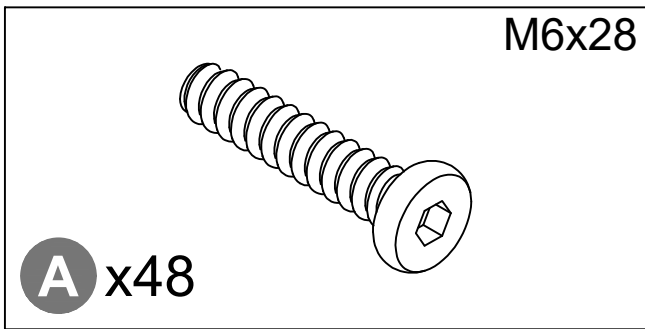
**Tools required
(not included)**



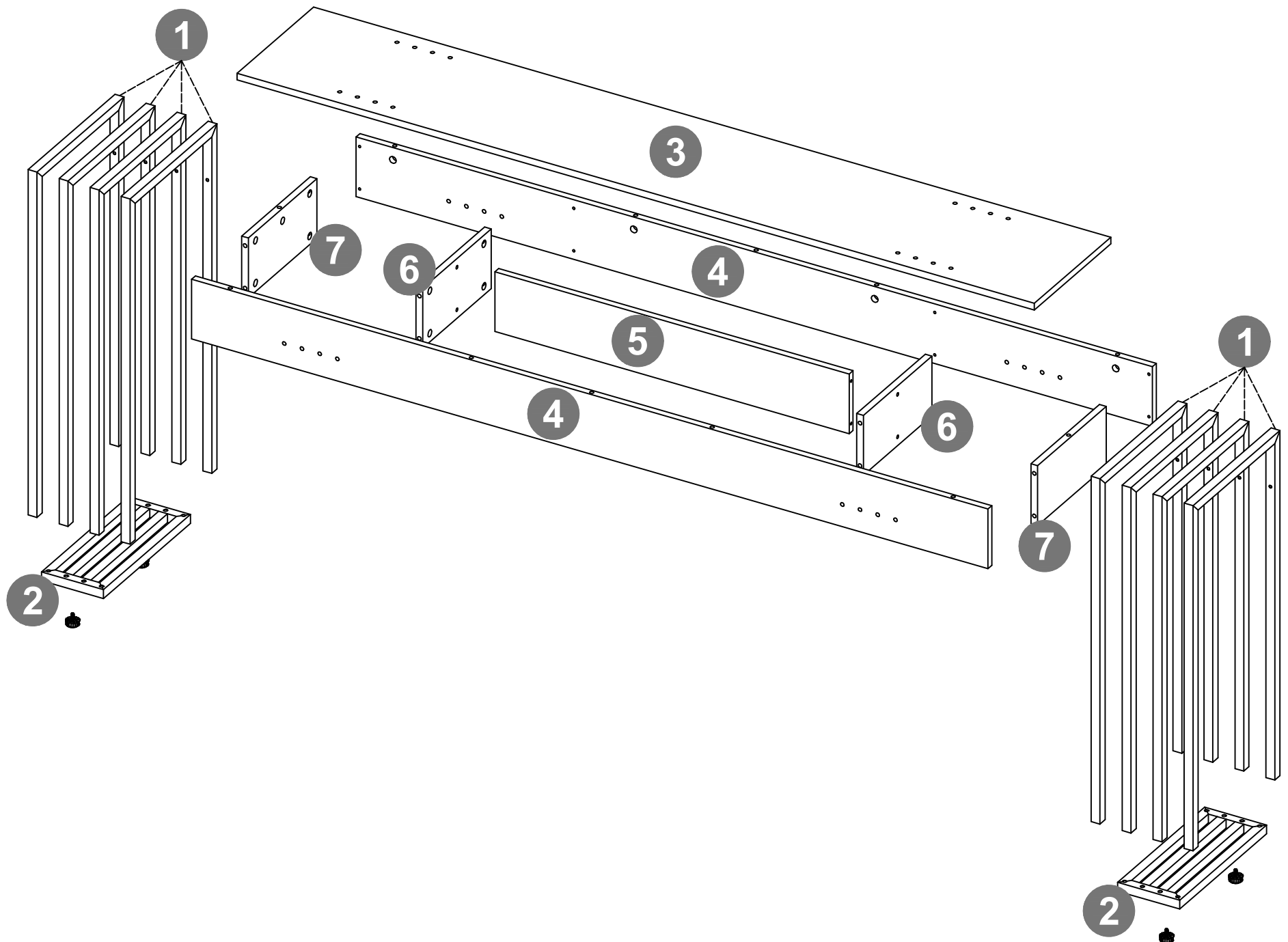
1 people for assembly



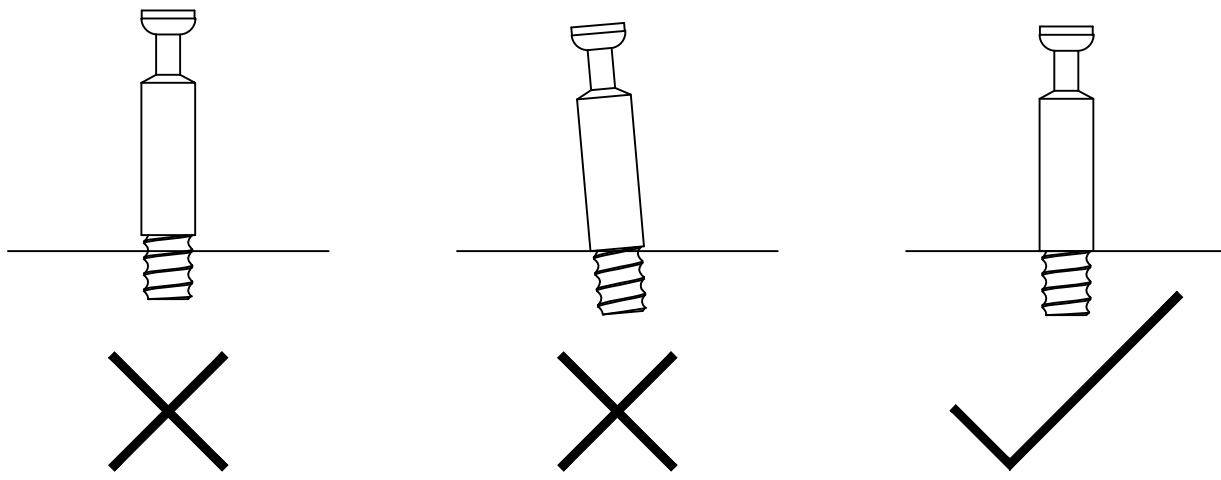
HARDWARE



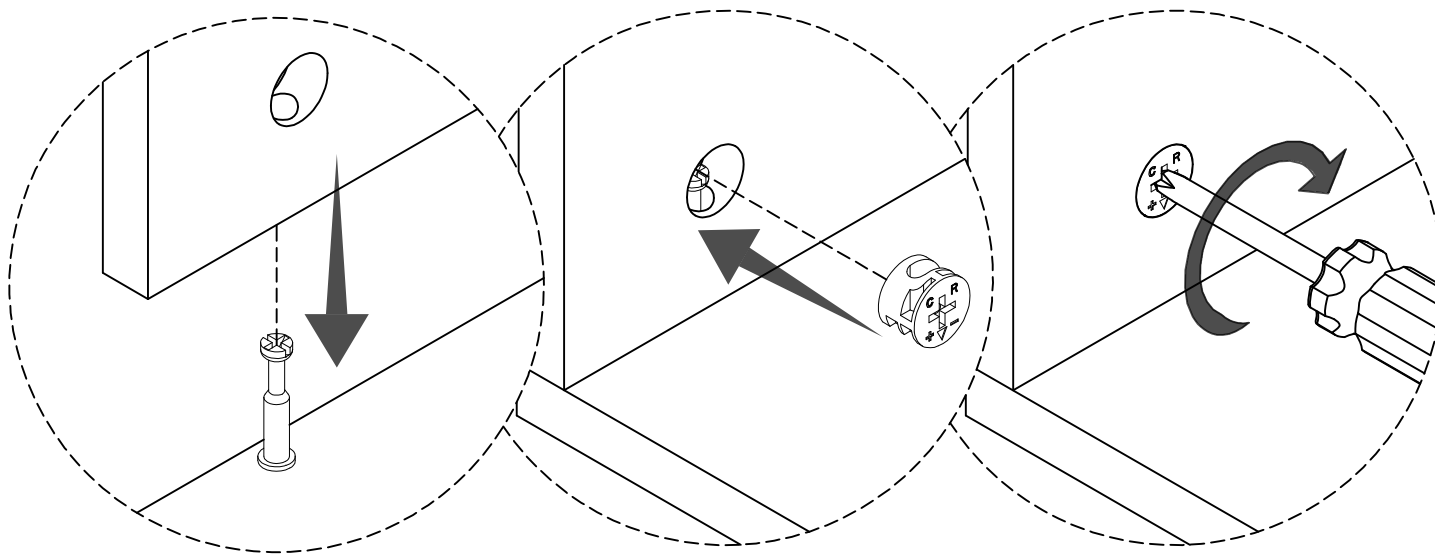
EXPLODED

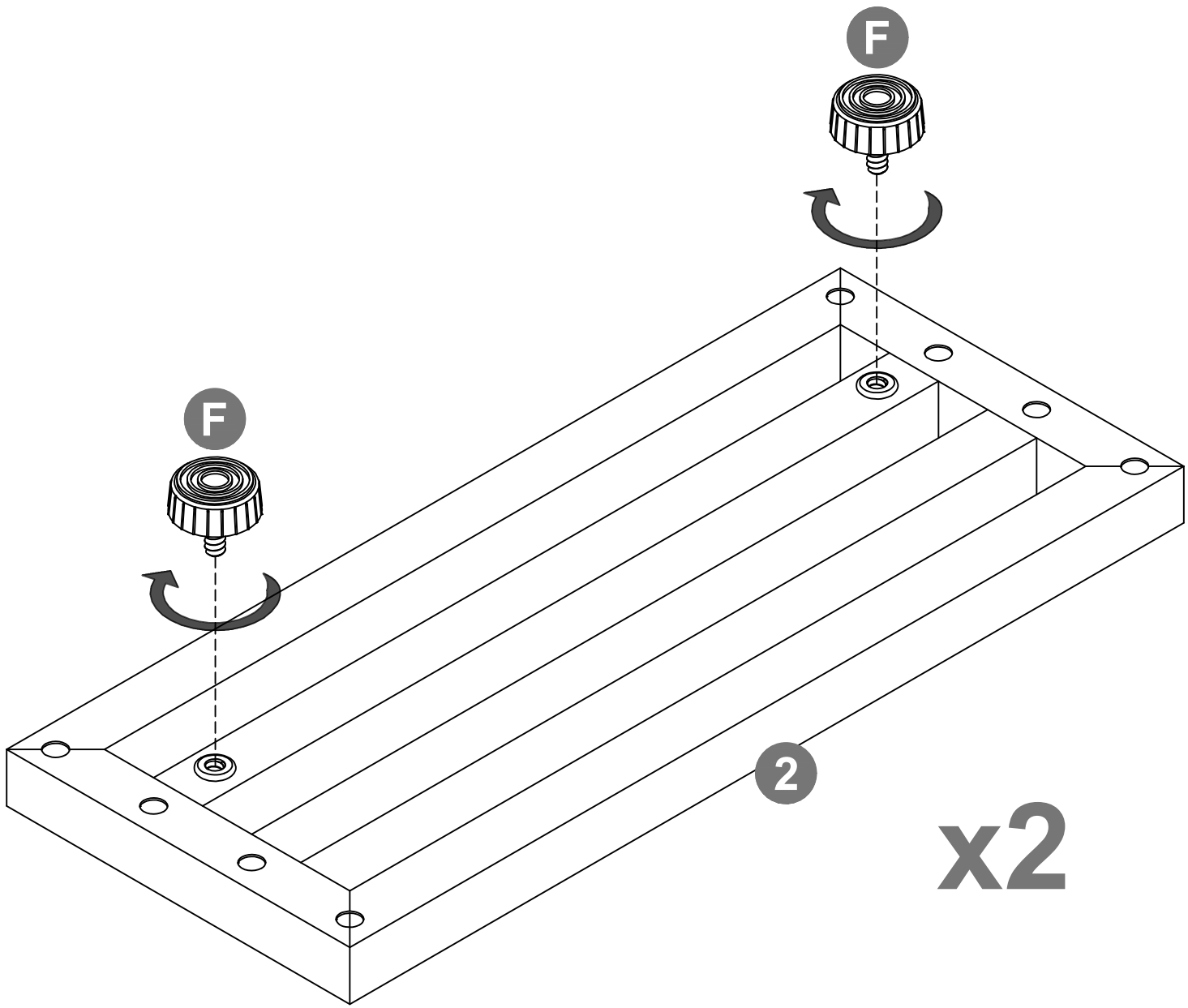


Make sure the pins are installed correctly as shown with the "check mark" below.

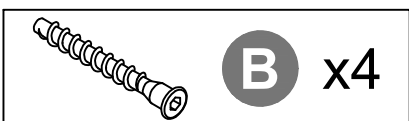
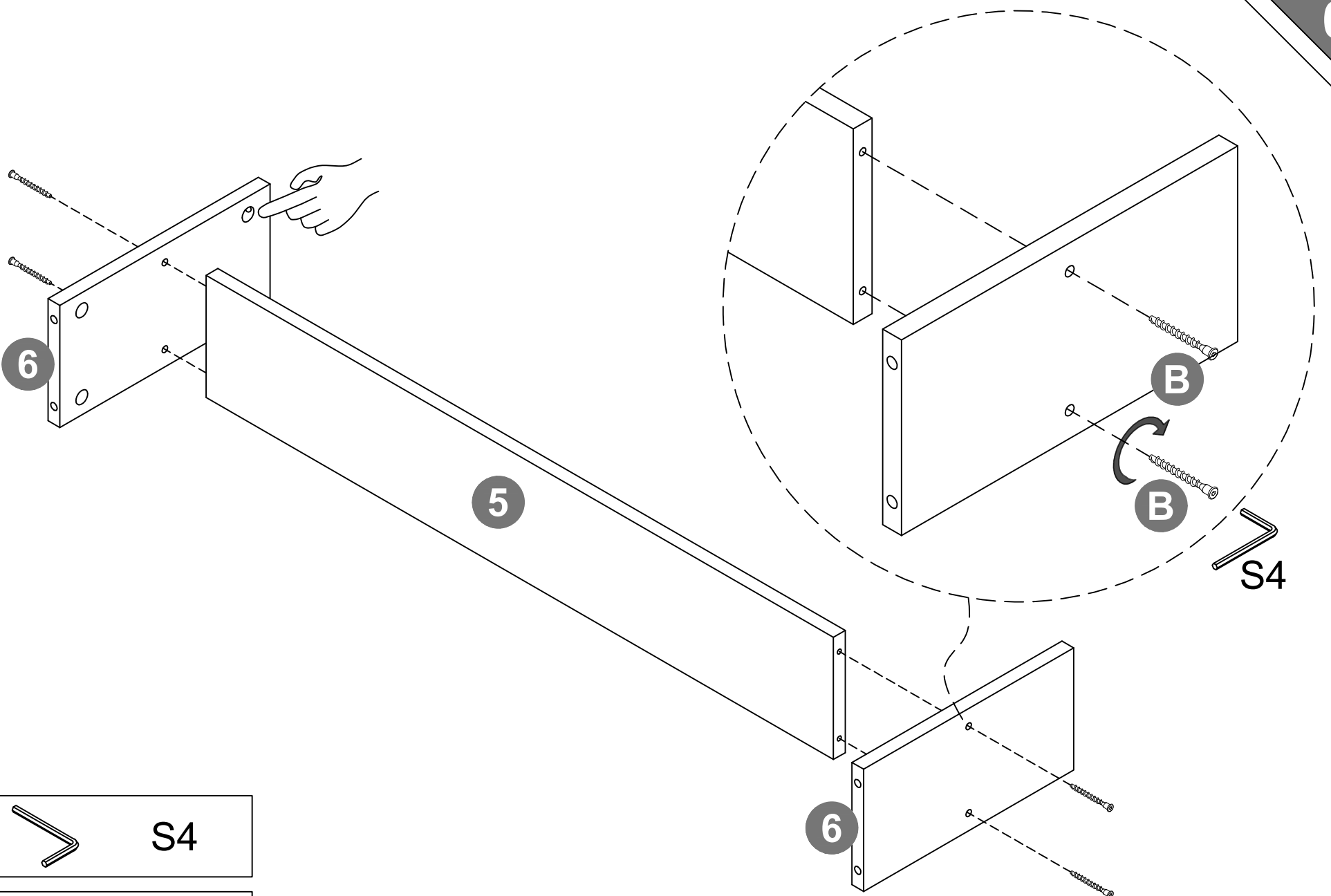


Below shows how the pins are used to assemble the panels together.

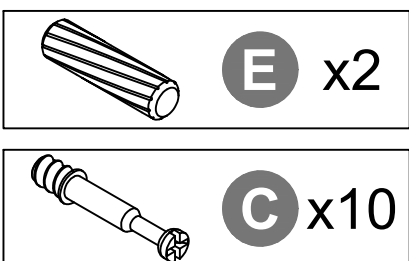
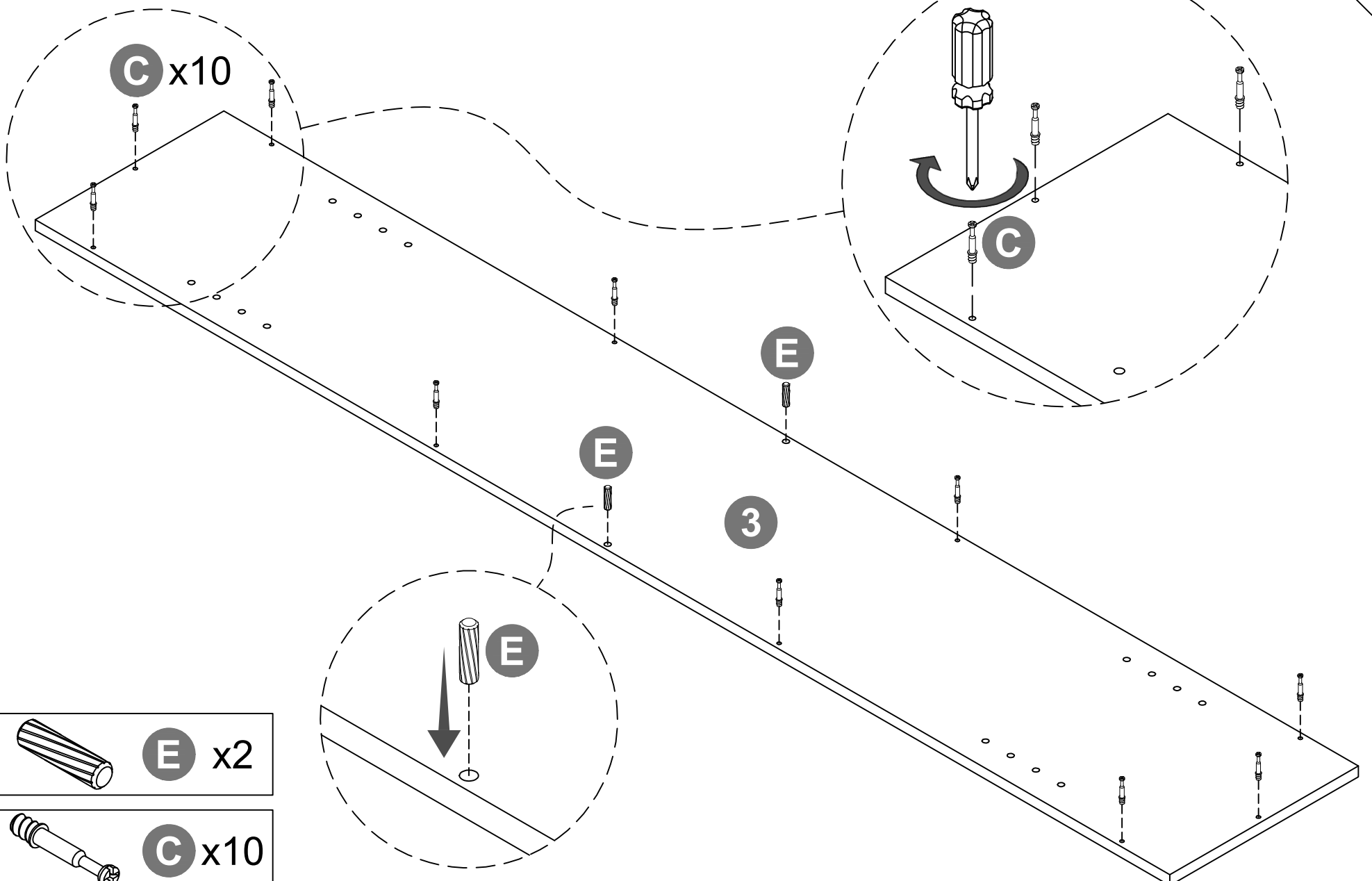
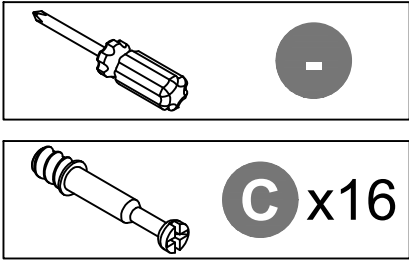
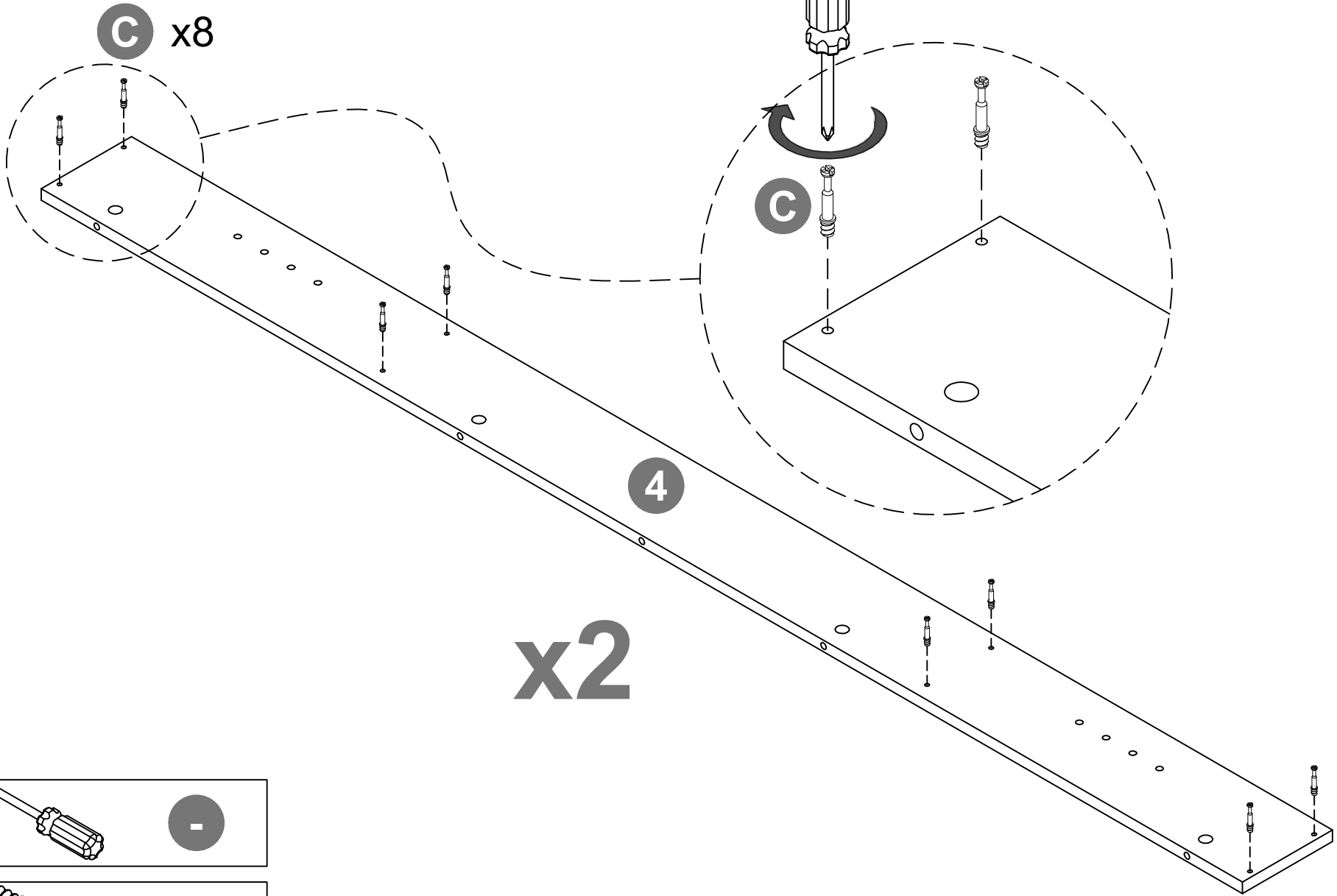


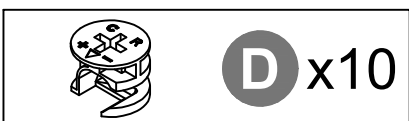
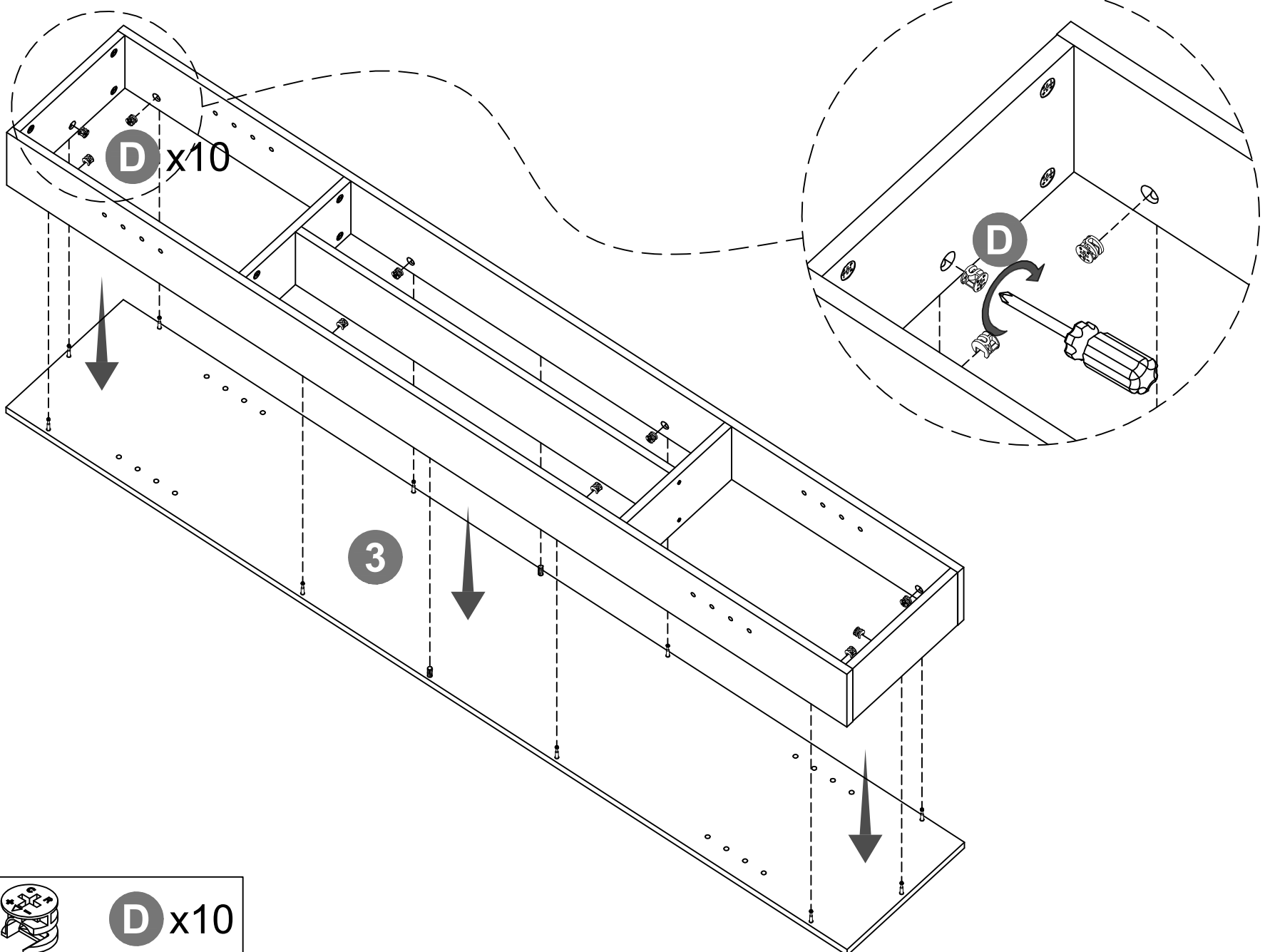
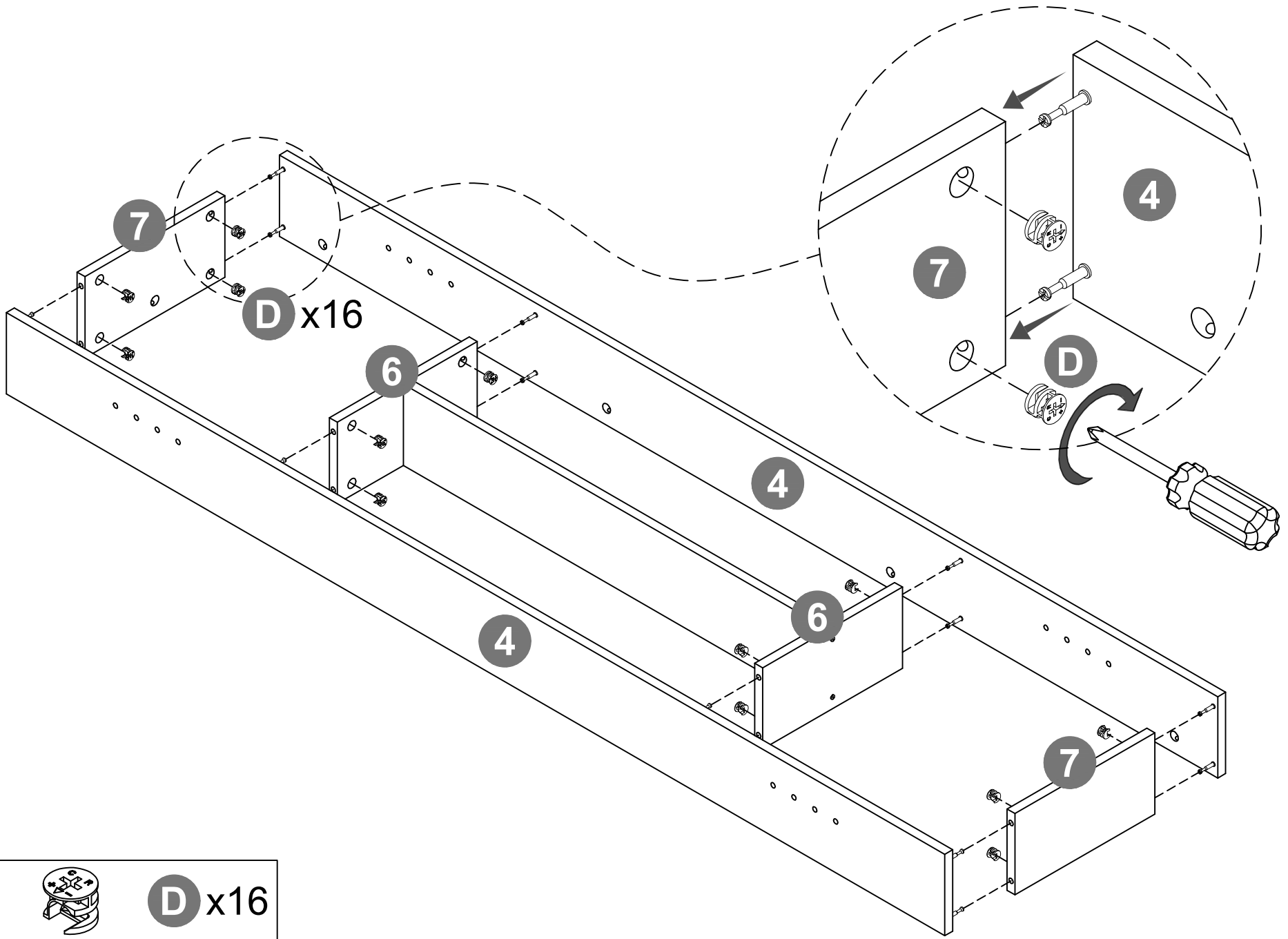


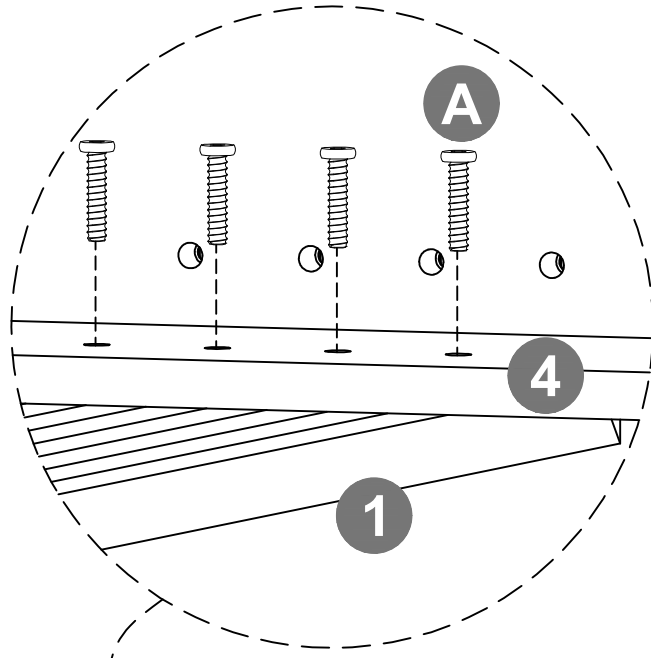
x2



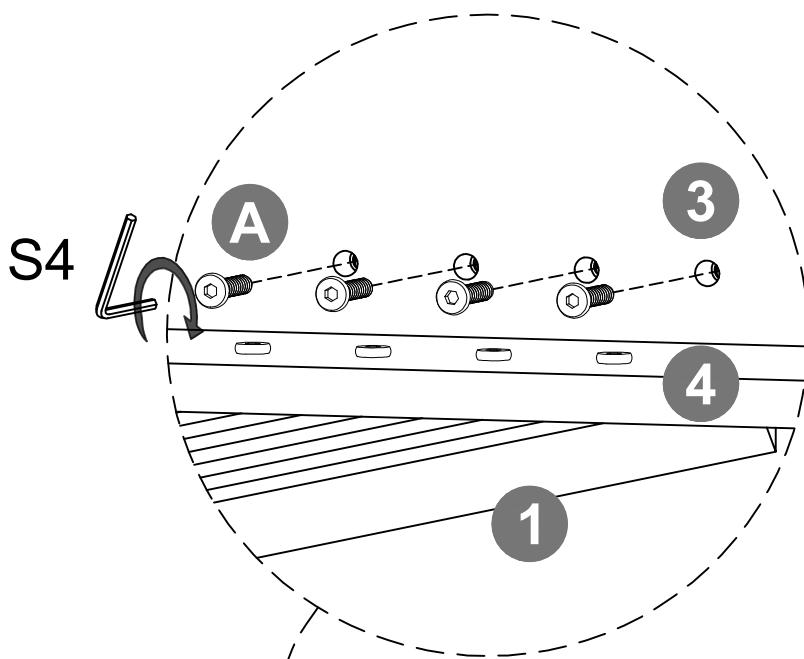
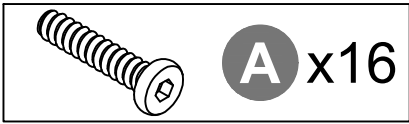
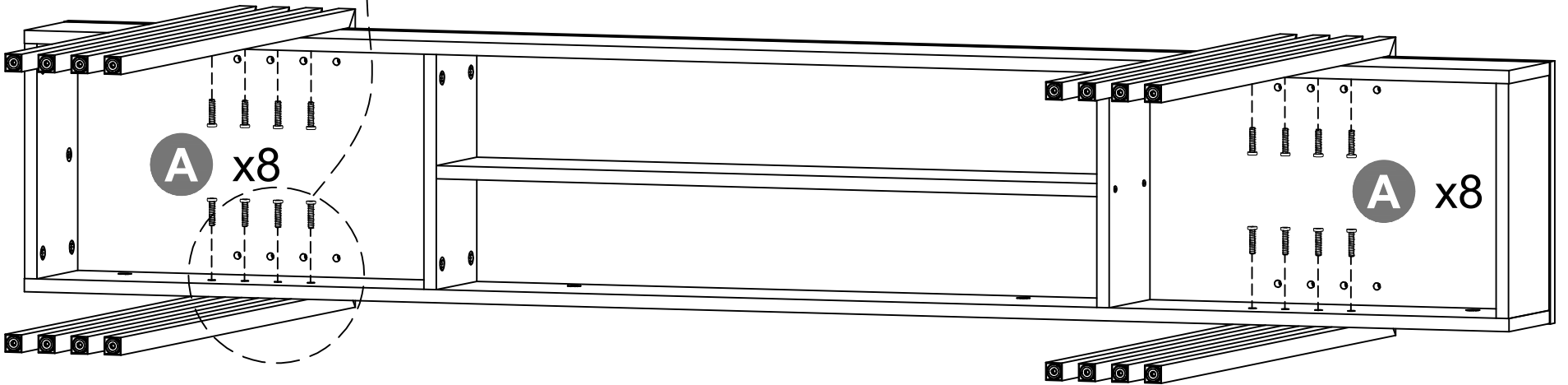
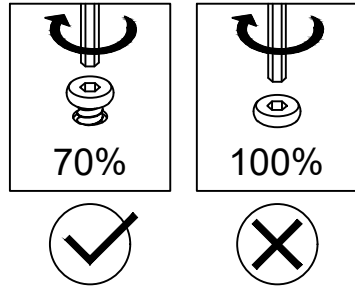
B x4







NOT TIGHT



NOT TIGHT

