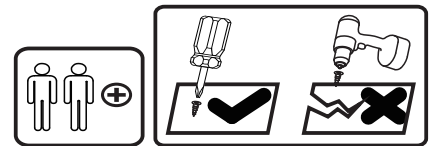
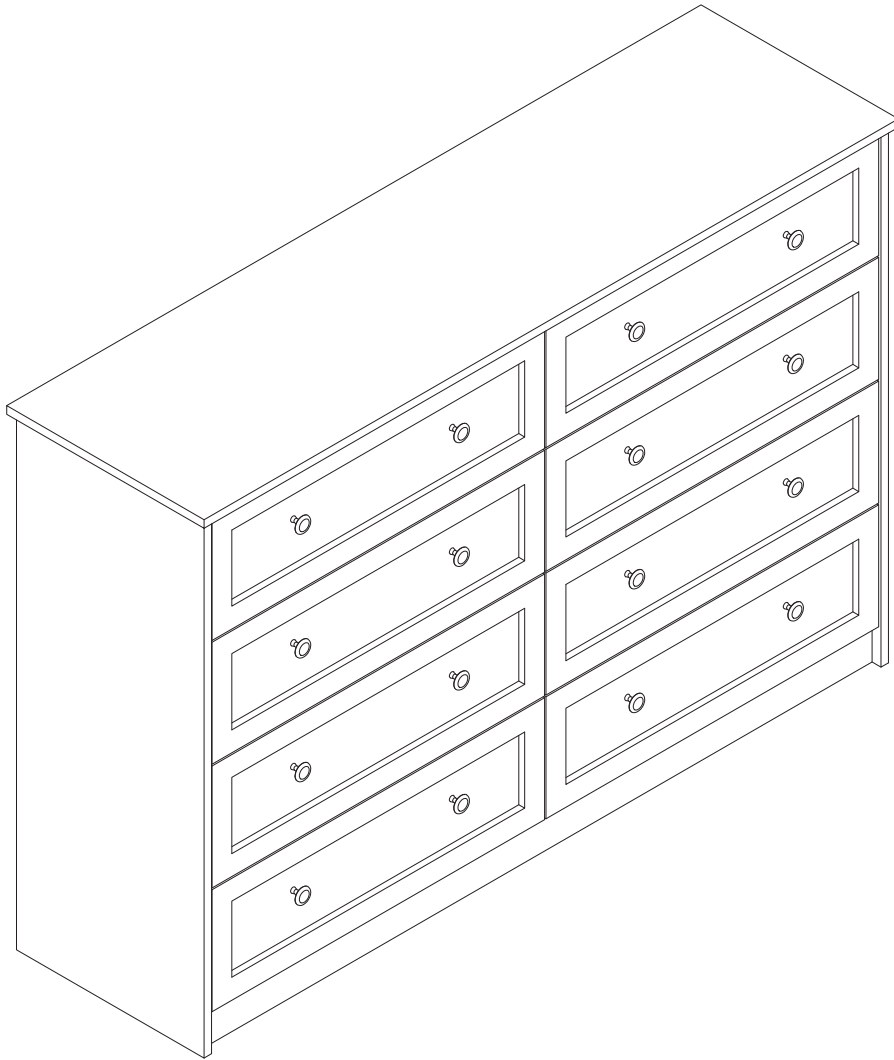


ASSEMBLY INSTRUCTIONS



Tools Recommended

THIS INSTRUCTIONS CONTAINS IMPORTANT SAFETY INFORMATION.
PLEASE READ BEFORE ASSEMBLY AND KEEP FOR FUTURE REFERENCE.

IMPORTANT NOTICE

- This product contains small components, please ensure that they are kept away from small children.
- THIS INSTRUCTIONS CONTAINS IMPORTANT SAFETY INFORMATION. PLEASE READ BEFORE ASSEMBLY AND KEEP FOR FUTURE REFERENCE.
- Read each step carefully. It is very important that each step of instruction is performed in the correct order. If these steps are not followed in sequence, assembly difficulties will occur.
- Make sure all parts are included. Most parts are labelled or stamped on the raw edge.
- Work in spacious area, preferably on a carpet, near the place the unit will be used.
- Do not use power tools to assemble your furniture. Power tools may strip or damage the parts.
- Move your new furniture carefully, with two people lift and carry the unit to it's new location.
- Never push, drag or pull your furniture (especially on carpet)



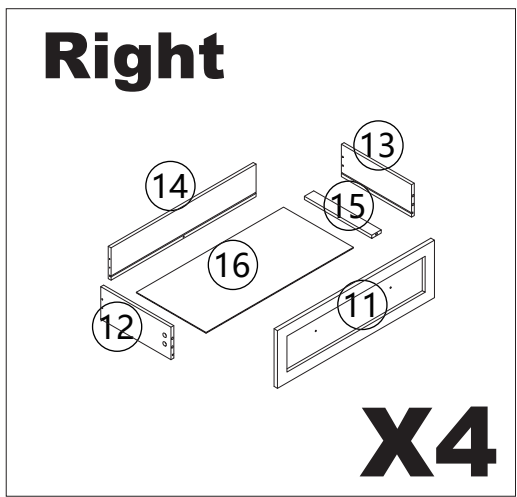
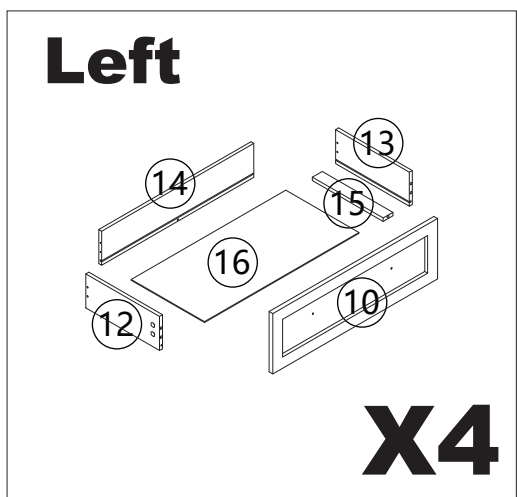
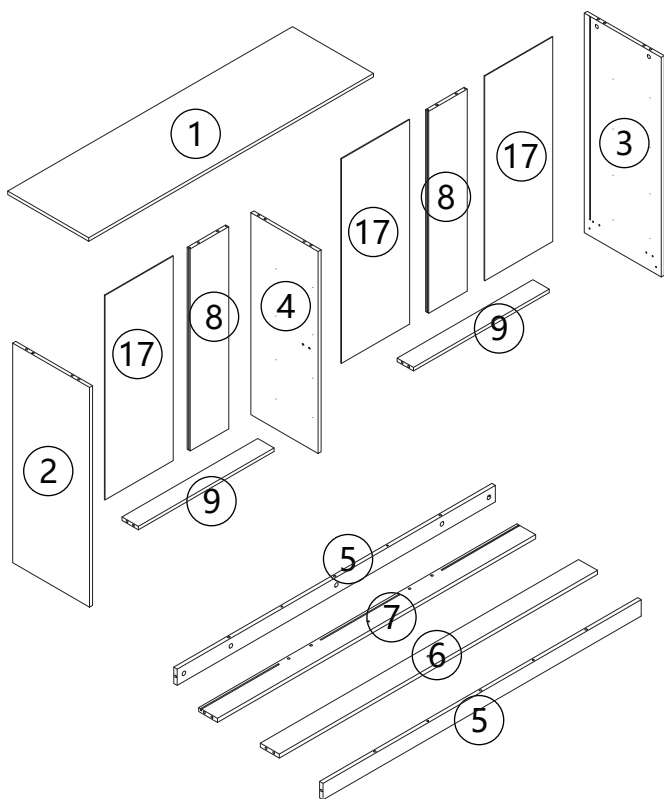
PLEASE DO NOT RETURN PRODUCT TO US IMMEDIATELY











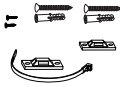





If a part is missing or damaged, email our customer service. We will gladly ship your replacement parts FREE of charge.

For Prompt, reliable service, please have your assemble instruction ready.

 WARNING	
	<p>Children have died from furniture tipover. To reduce the risk of furniture tipover:</p> <ul style="list-style-type: none">• ALWAYS install tipover restraint provided.• NEVER put a TV on this product.• NEVER allow children to stand, climb or hang on drawers, doors, or shelves.• NEVER open more than one drawer at a time.• Place heaviest items in the lowest drawers.
	


Packing list

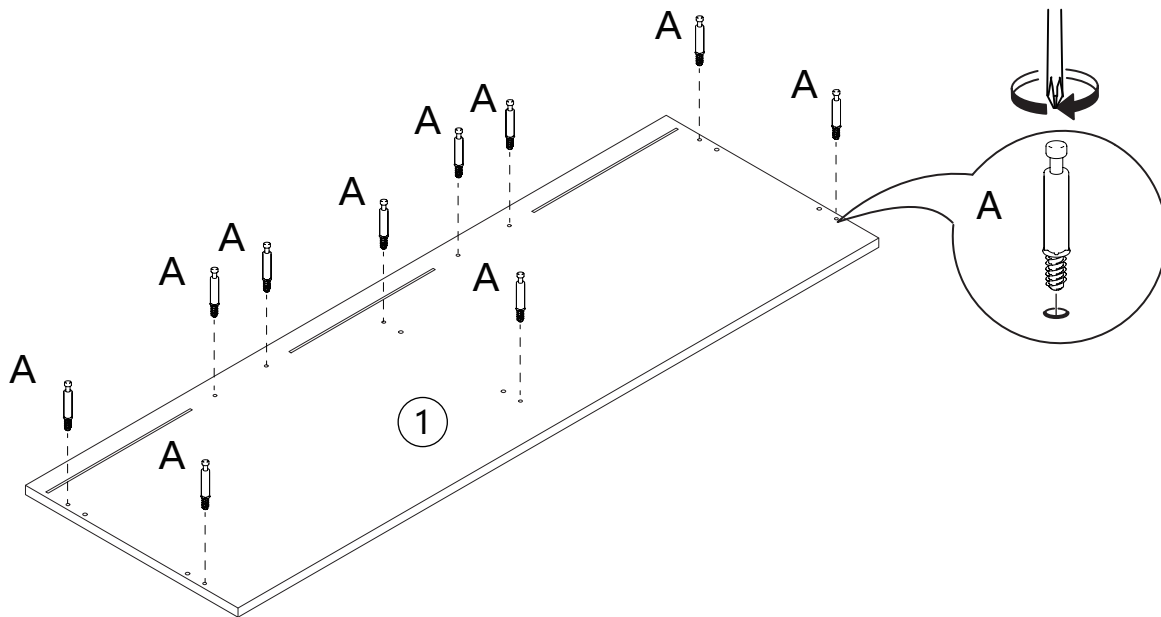


A	X 76	B	X 36	C	X 40	D	X 10	E	X 6	F	X 1	G	X 92
													
M6*35		Φ15*12		Φ15*10		Φ8*40		M6.3*50		M4*18		M4*14	
H	X 40	I	X 16	J	X 16	K	X 2	L	X 12	CL	X 8	CR	X 8
													
M4*40													
DL	X 8	DR	X 8										
													

STEP 1




Insert quickfit screws(A) into corresponding holes in part 1 as shown.

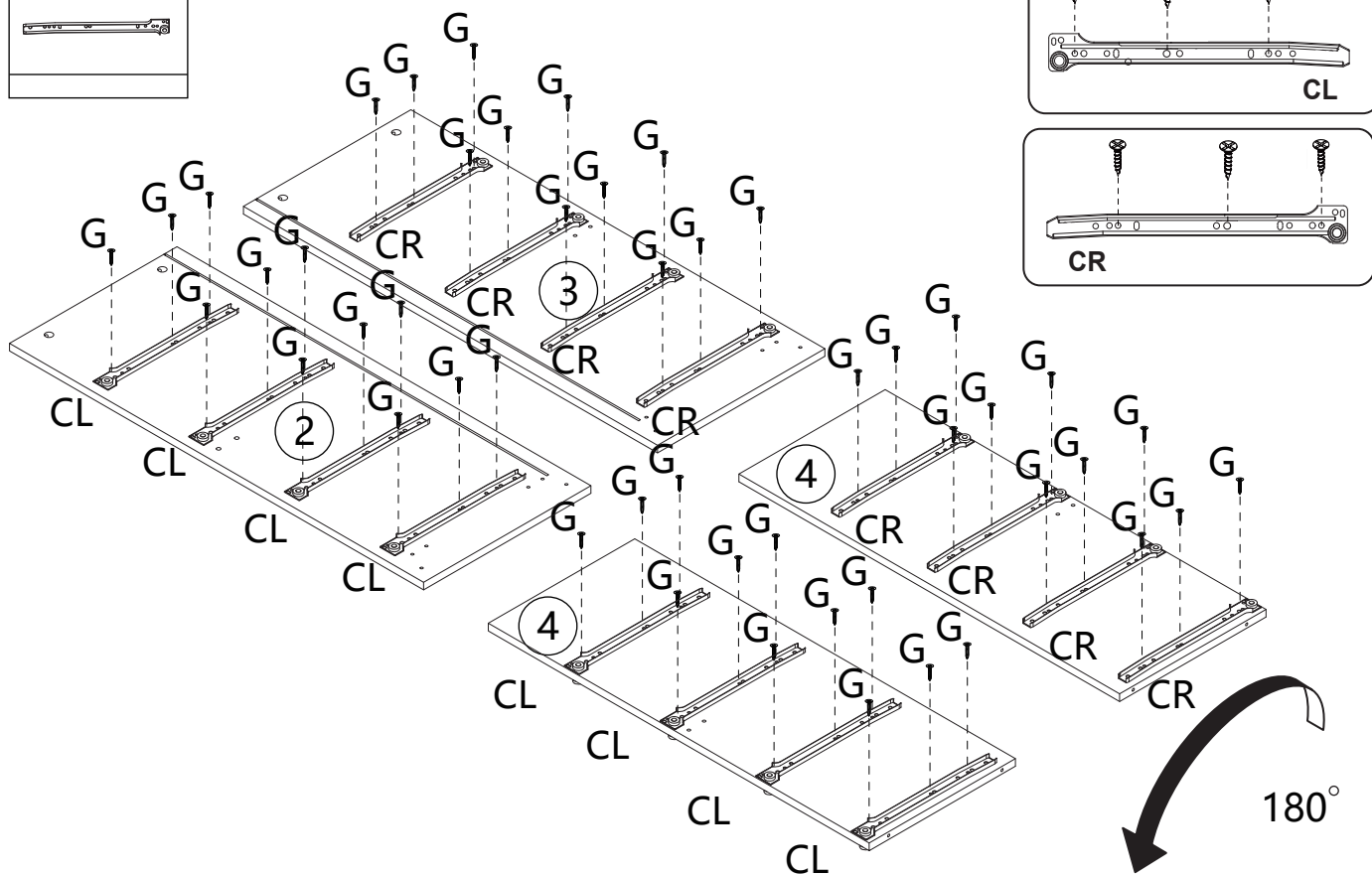
A	X 10
	
M6*35	



STEP 2


Fix left outer drawer runner (CL) and right outer drawer runner (CR) to parts 2 and 3 using screws (G), as shown.
 Fix right outer drawer runner (CR) to part 4 using screws (G), then flipping part 4 180 degrees horizontally to fix left outer drawer runner (CL)

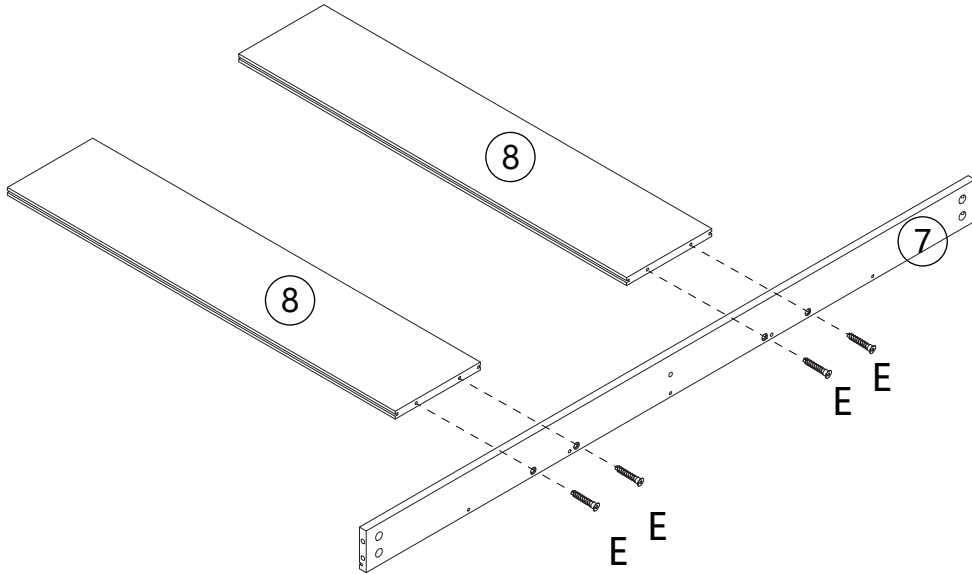
G	X 48	CL	X 8
			
CR	X 8		
			



STEP3

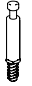


Connect the 7th and 8th plates with screw E.

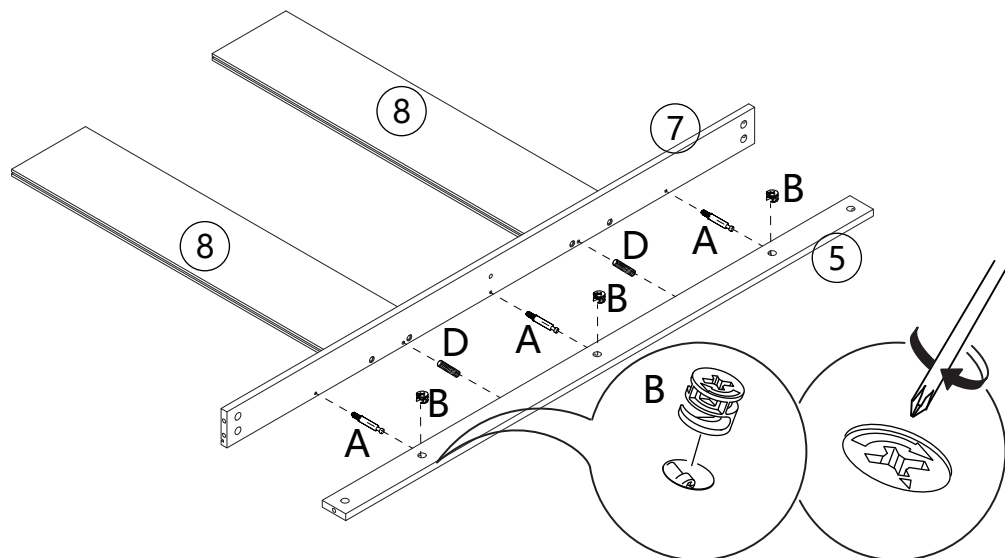
E	X 4
	
M6.3*50	






STEP4

Insert wooden dowels (D) into assembled unit, as shown. Screw screw A into plate 7, attach part 5 to assembled unit using screws (B), as shown

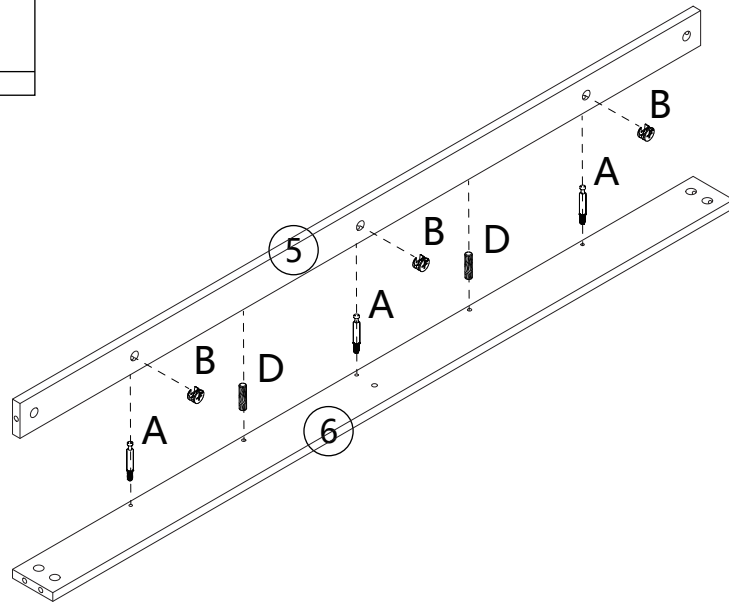
A	X 3	B	X 3
			
M6*35		Φ15*12	
D	X 2		
			
Φ8*40			




STEP5

A	X 3	B	X 3
			
M6*35		Φ15*12	
D	X 2		
			
Φ8*40			

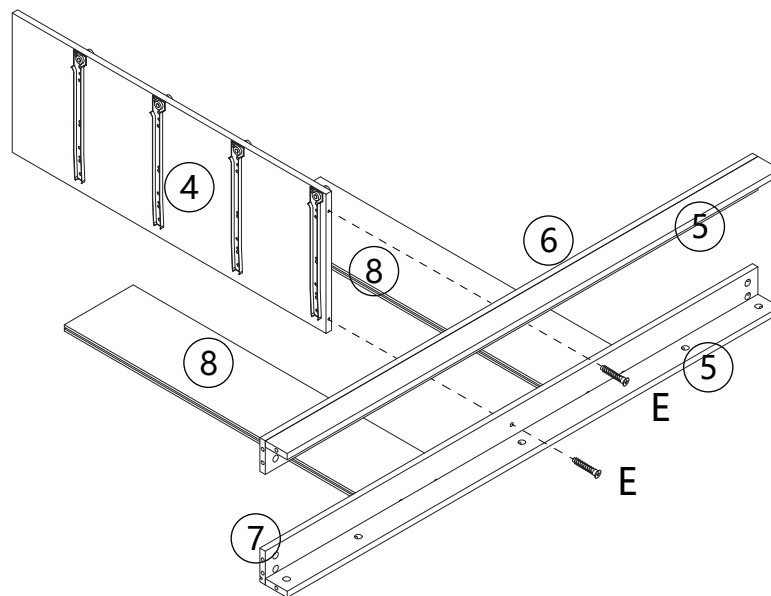
Insert wooden dowels (D) into assembled unit, as shown. Screw screw A into plate 6, attach part 5 to as ssembled unit using screws (B), as shown



STEP6



E	X 2
	
M6.3*50	

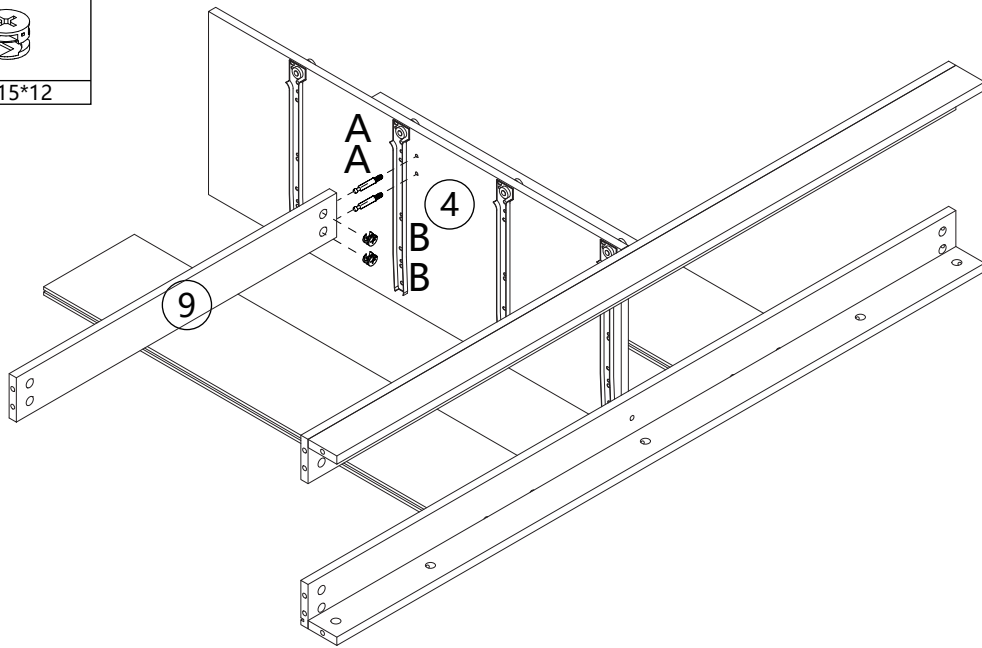
Attach part 4 to as ssembled unit using screws (E), as shown



STEP7



Screw A into plate 4, attach part 9 to as assembled unit using screws (B), as shown

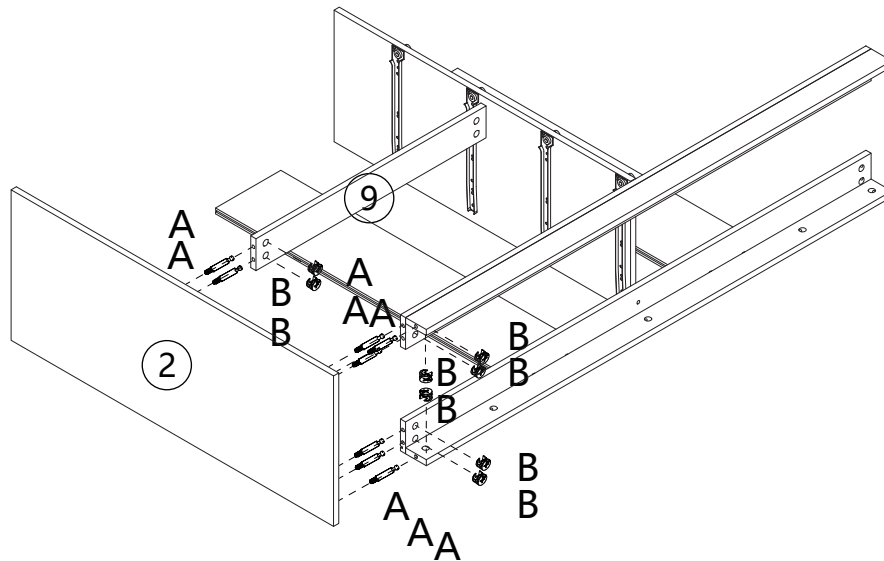
A	X 2	B	X 2
			
M6*35		Φ 15*12	



STEP8

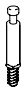

Screw A into plate 2, attach part 2 to as assembled unit using screws (B), as shown

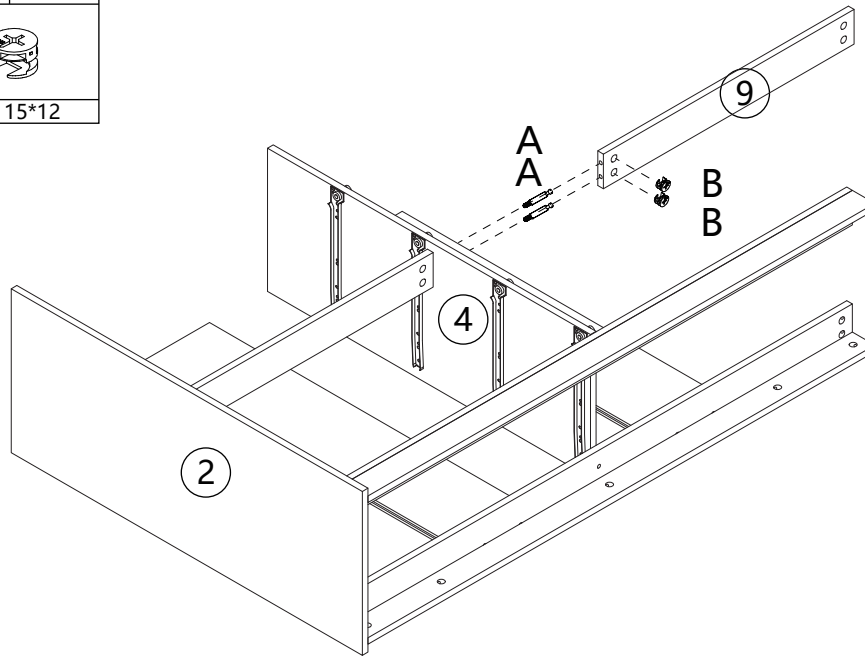
A	X 8	B	X 8
			
M6*35		Φ 15*12	



STEP9

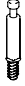

Screw A into plate 4, attach part 9 to as sem-
bled unit using screws (B), as shown

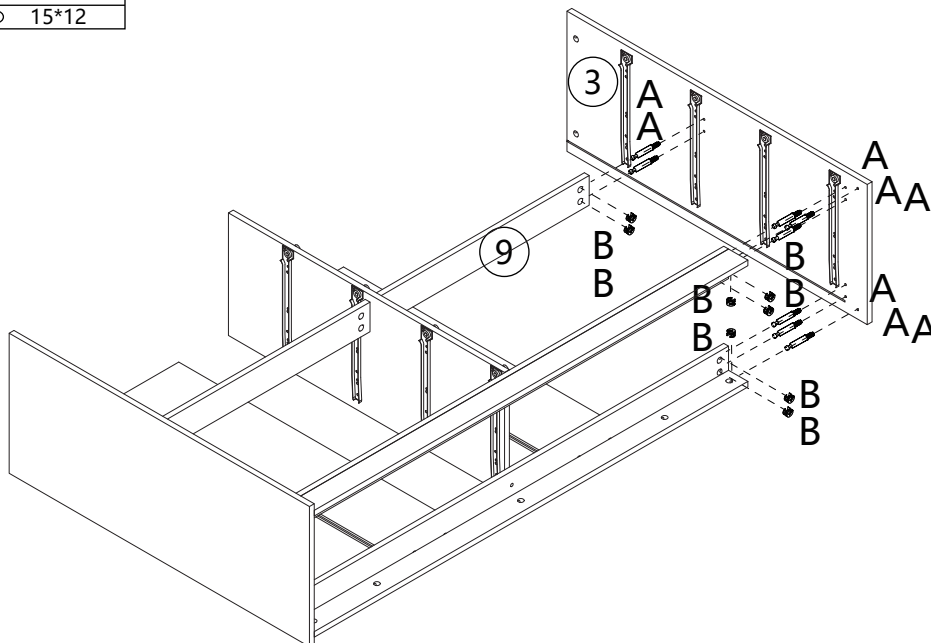
A	X 2	B	X 2
			
M6*35		Φ 15*12	



STEP10

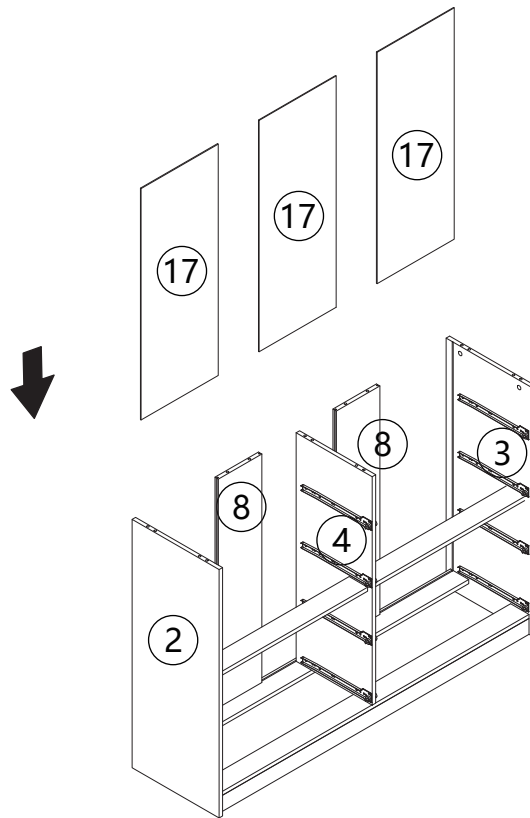
Screw A into plate 3, attach part 3 to as sem-
bled unit using screws (B), as shown

A	X 8	B	X 8
			
M6*35		Φ 15*12	





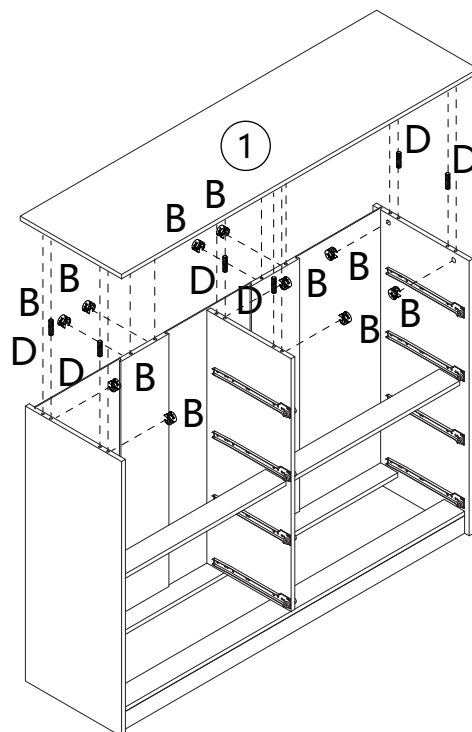
STEP11

Slide part 16 into available slots of parts 2 ,3,4 and 8 as shown.




STEP12

B	X 10	D	X 6
			
Φ15*12		Φ 8*40	

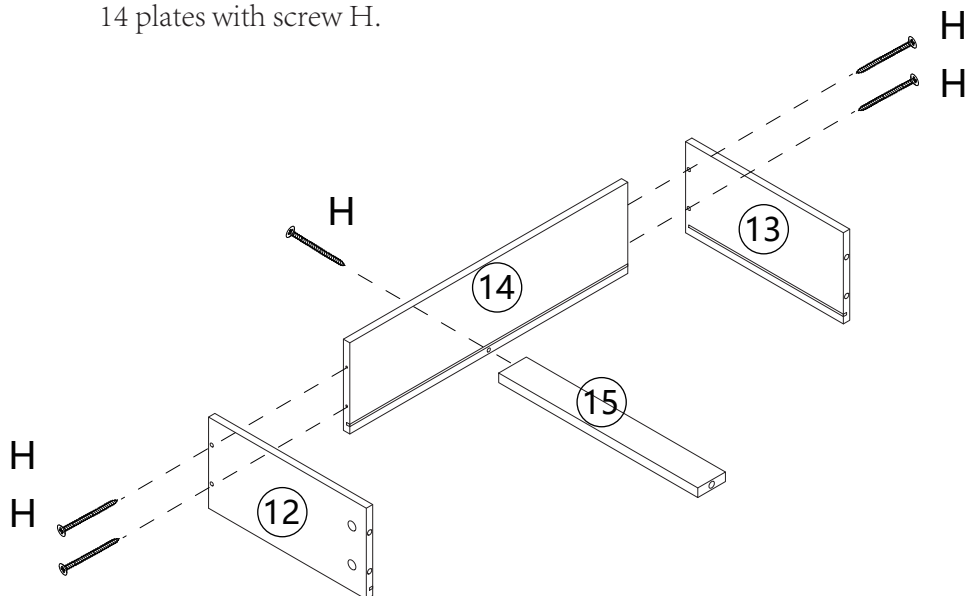


Insert wooden dowels (D) into part 1, as shown.
 Add cam locks (B) into assembled unit as shown and attach part 1 to assembled unit.
 Turn cam locks clockwise to tighten.

STEP13

H	X40
	
M4*40	

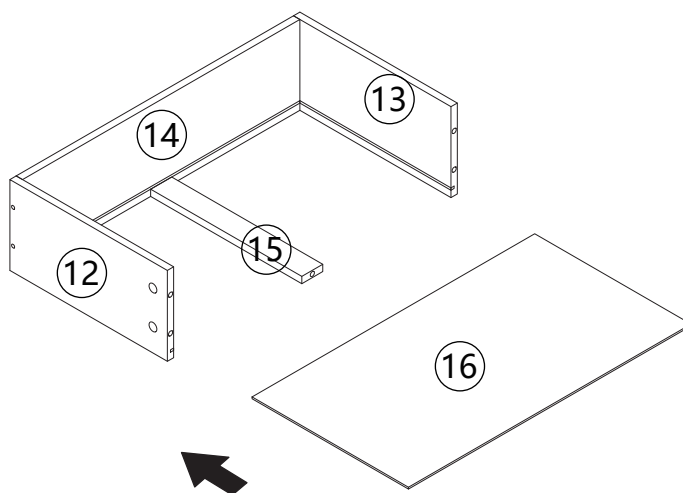
Connect the 14 and 15 plates with screw H, and connect the 12, 13, and 14 plates with screw H.



X8





STEP14

Slide part 16 into available slots of parts 12,13 and 14,as shown.



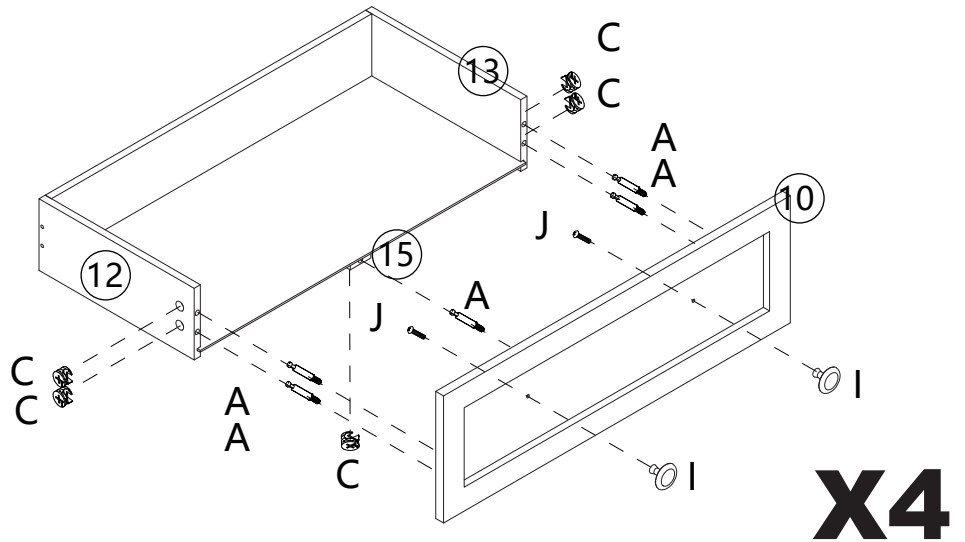
X8

STEP15





A	X 20	C	X 20
			
M6*35		Φ15*10	
I	X 8	J	X 8
			

Screw accessory A into board 10, then connect board 10 to boards 12, 13, and 15 with accessory C. Finally, thread screw J through board 10 and connect it to handle I.

Left

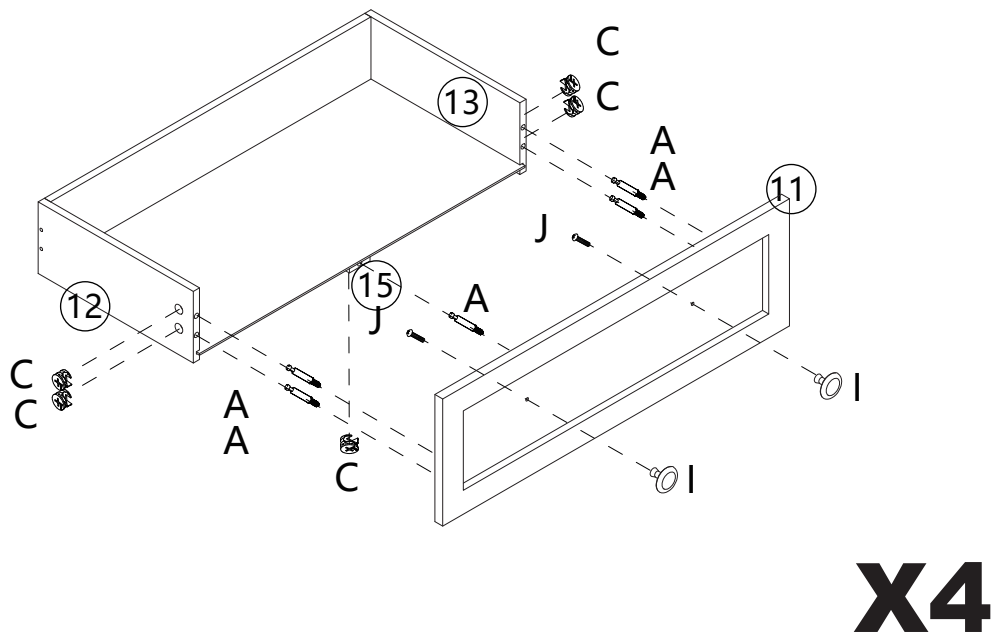


STEP16

A	X 20	C	X 20
			
M6*35		Φ15*10	
I	X 8	J	X 8
			




Screw accessory A into board 11, then connect board 11 to boards 12, 13, and 15 with accessory C. Finally, thread screw J through board 11 and connect it to handle I.

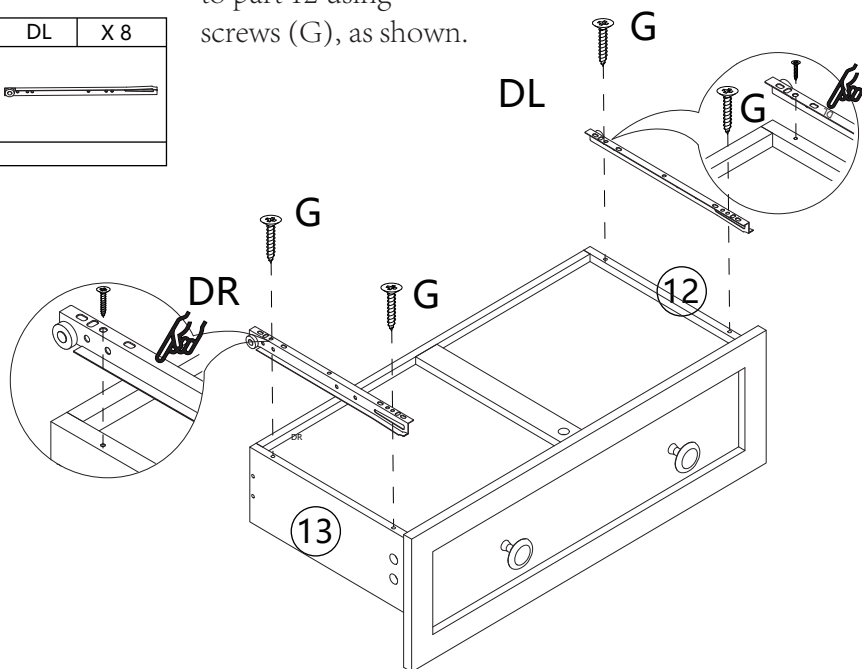
Right



STEP17

Fix left inner drawer runner (DL) to part 11 and fix right inner drawer runner (DR) to part 12 using screws (G), as shown.

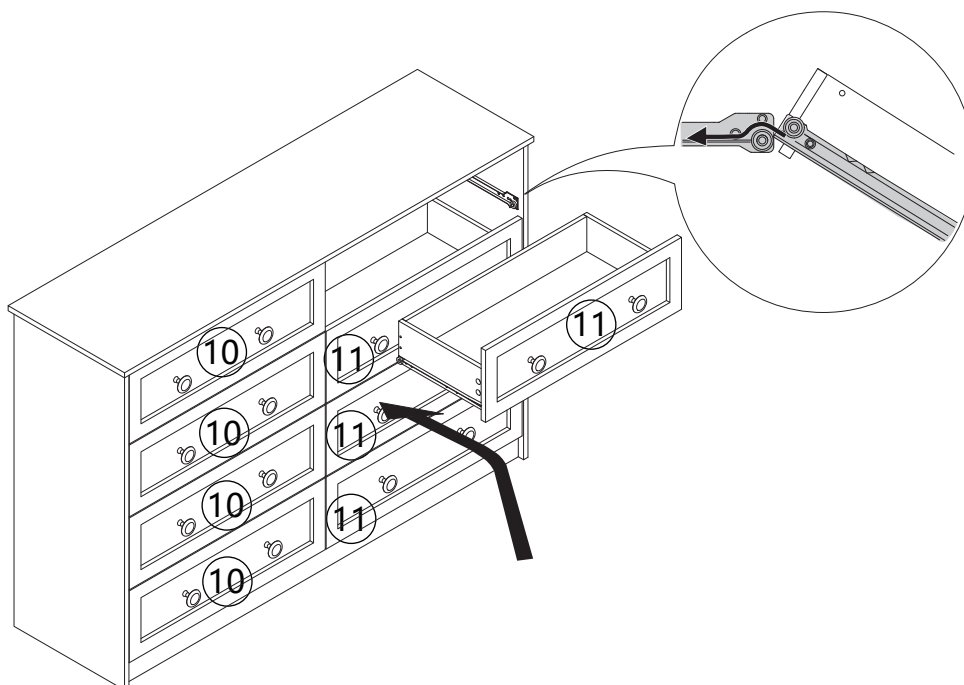
G	X 32	DL	X 8
			
DR	X 8		
			



X6



STEP18

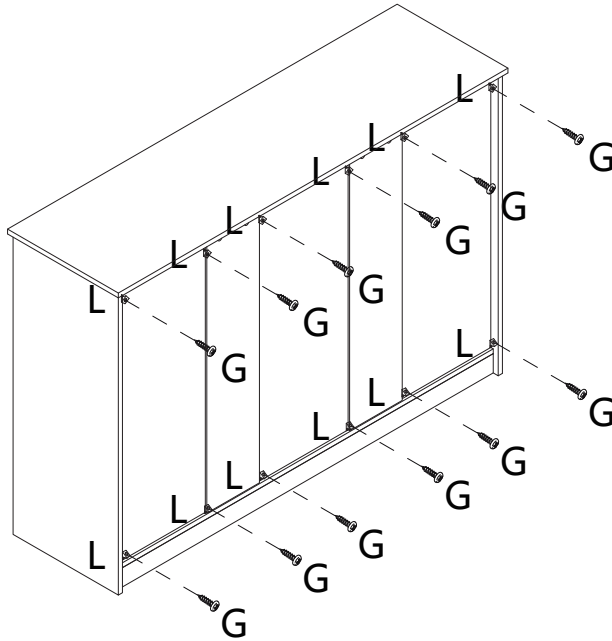
The drawer slides must be aligned with the internal rails, otherwise the drawer will tilt.



STEP 19

Attach wedges (L) as shown using screws.

G	X12	L	X 12
			



STEP 20

K	X 2
