

ASSEMBLY INSTRUCTIONS



**ACCENT
CHAIR**

ASSEMBLY INSTRUCTIONS

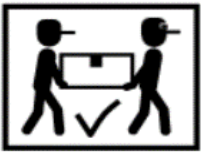
ASSEMBLY TIPS:

1. Remove hardware from box and sort by size.
2. Please check to see that all hardware and parts are present prior to start of assembly.
3. Please follow attached instructions in the same sequence as numbered to assure fast & easy assembly.



WARNING!

1. Don't attempt to repair or modify parts that are broken or defective. Please contact the store immediately.
2. This product is for home use only and not intended for commercial establishments.



ASSEMBLY TIME

15 MINUTES

PARTS IDENTIFICATION

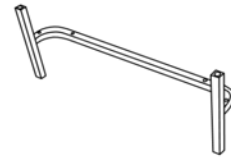
A CHAIR



1PC

B

LEG



2PCS

HARDWARE IDENTIFICATION

1 BOLT
M8x50MM



8PCS

3 FLAT WASHER
M8x22x2MM



8PCS

2 LOCK WASHER
M8



8PCS

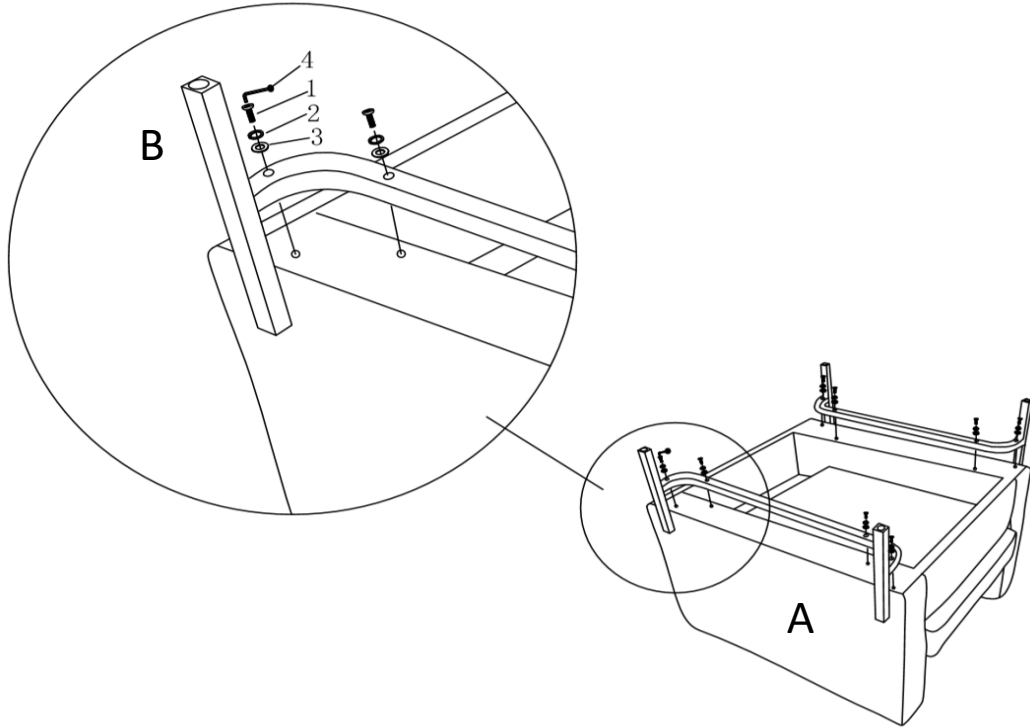
4 ALLEN WRENCH
5MM



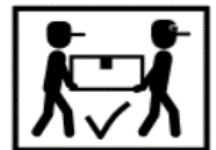
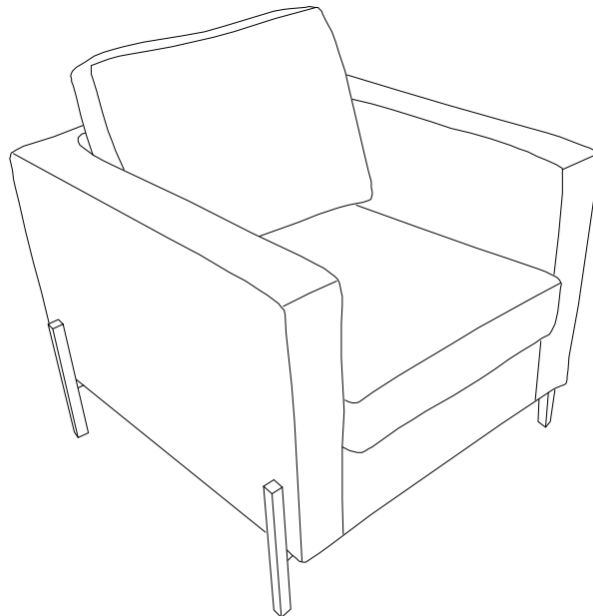
1PC

ASSEMBLY INSTRUCTIONS

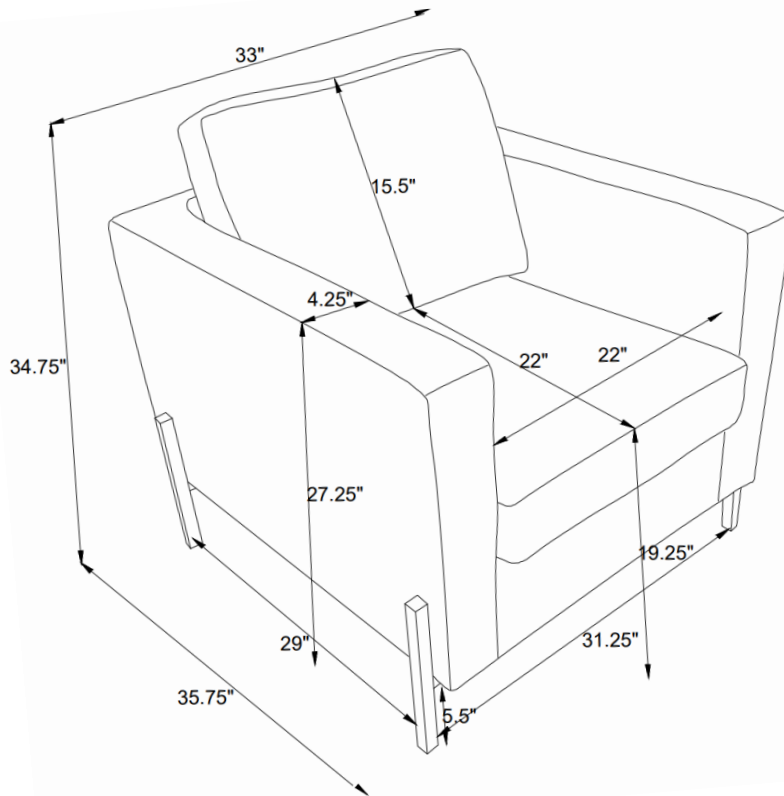
STEP 1



STEP 2



PRODUCT/PART DIMENSIONS



Note: Dimension tolerance $\pm 5\%$