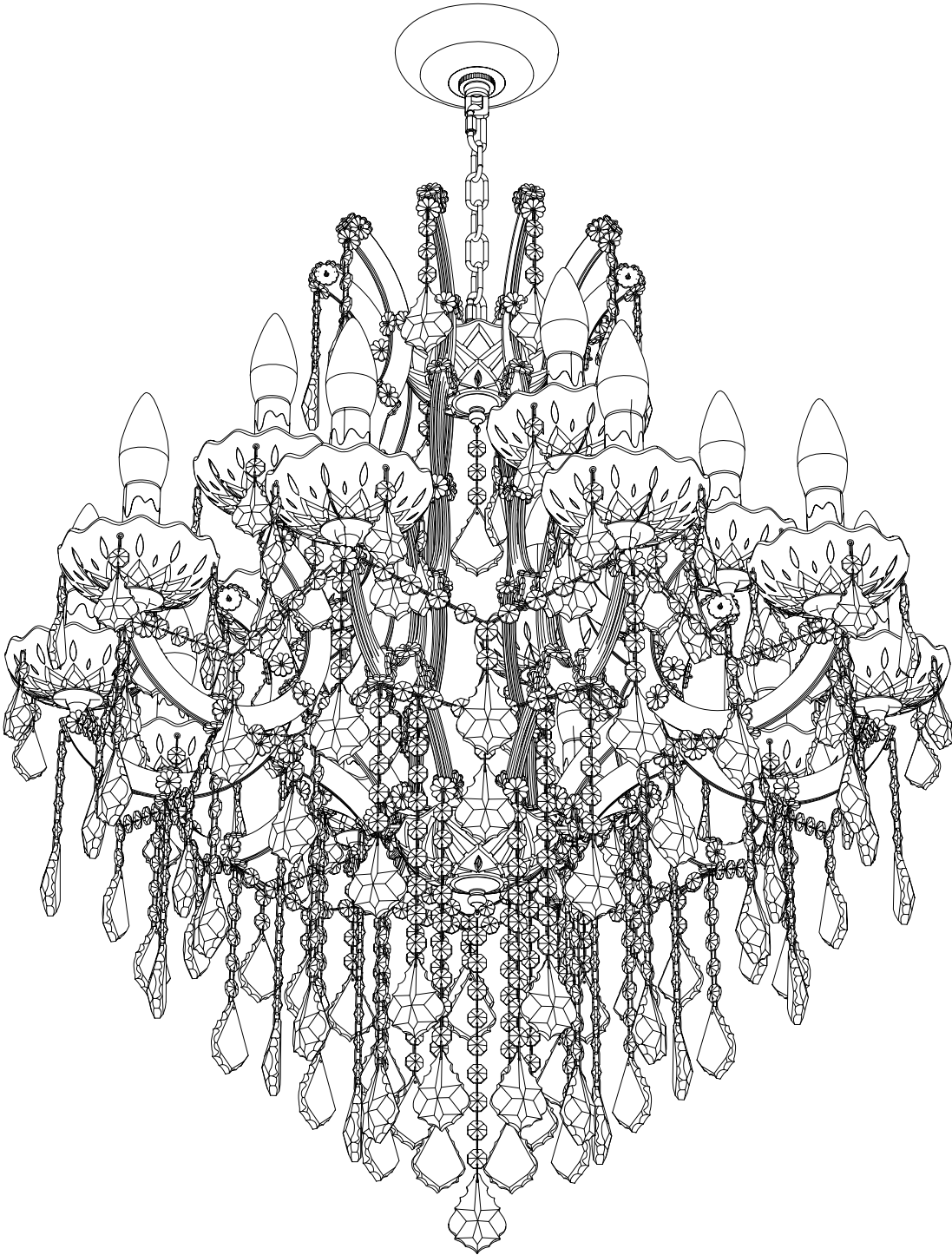


Installation Drawings



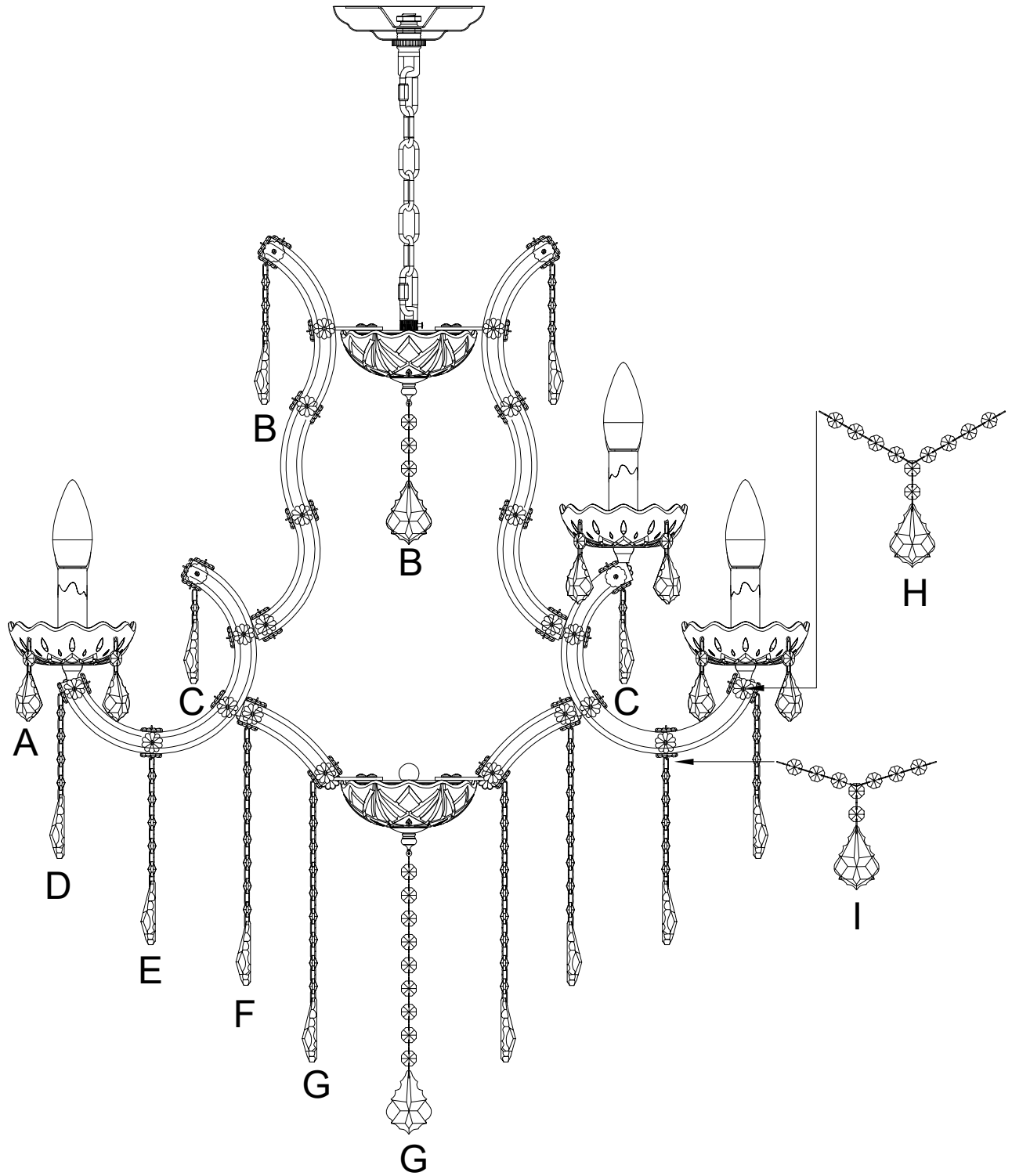
INSTRUCTION MANUAL

Parts List

| Ite | Drawing | Description | Quantity |
|-----|---------|--|----------|
| A | | Crystal Strand A | 60 |
| B | | Crystal Strand B | 11 |
| C | | Crystal Strand C | 10 |
| D | | Crystal Strand D | 10 |
| E | | Crystal Strand E | 10 |
| F | | Crystal Strand F | 10 |
| G | | Crystal Strand G | 11 |
| H | | Crystal Strand H | 10 |
| | | Crystal Strand I | 10 |
| J | | Lamp arm $\left\{ \begin{array}{l} K \\ L \end{array} \right.$ | 5 5 |
| K | | Glass edged dish | 15 |
| L | | Glass dish | 2 |
| M | | Bracket hanging plate hanging chain | 1 |
| N | | *20 | |

INSTRUCTION MANUAL

Corresponding part number



Please put on the gloves, you must fit it according to the assembly instruction.

Before You Start.



E-mail:
Lighting@yxtservice.com
If you have any questions,
please contact us,
And I wish you a happy life.

★ ★ ★ ★ ★ Thank you!

5-star rating.



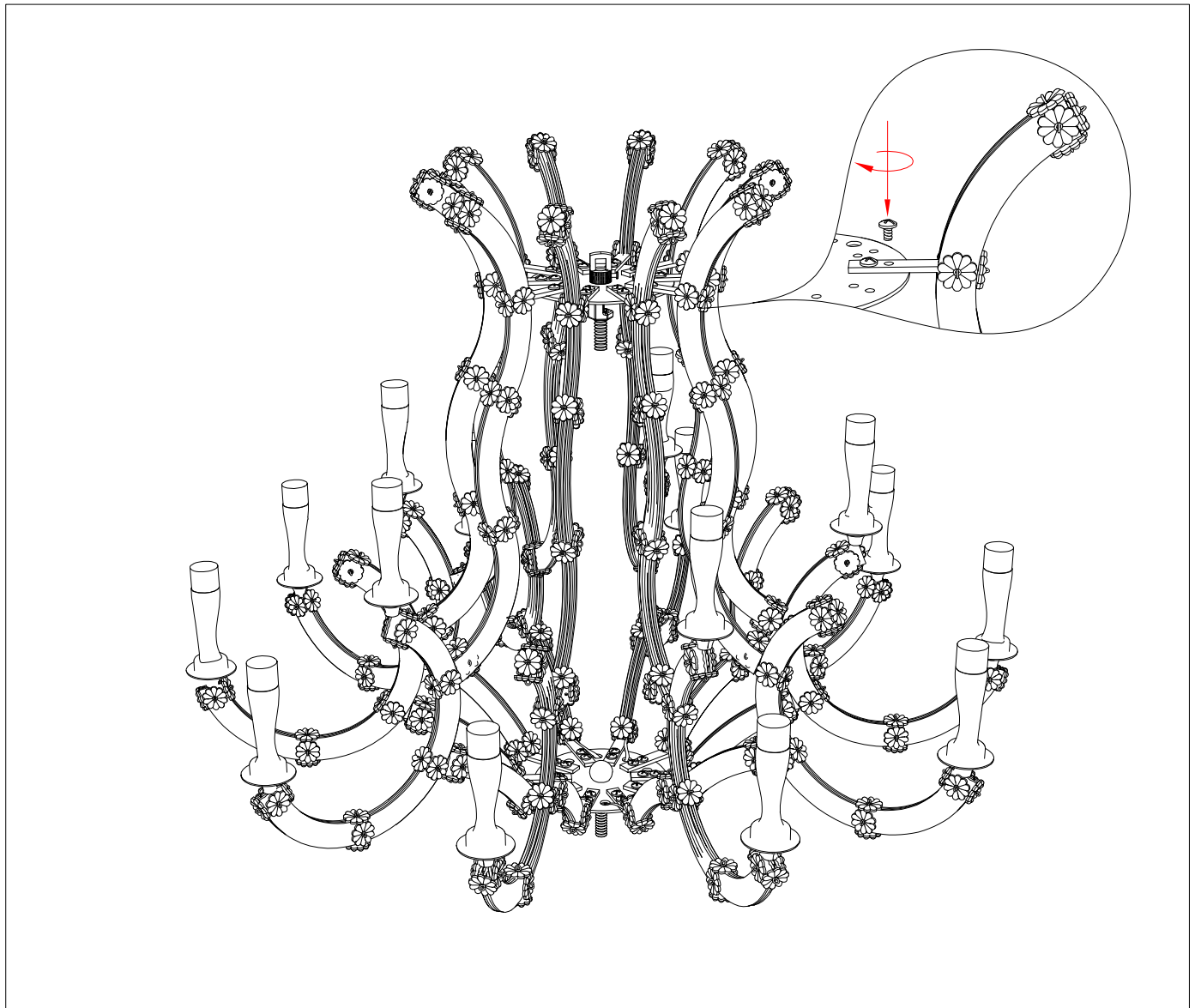
- ★ Please read all the instructions and steps.
- ★ Keep the instruction manual for future reference.
- ★ Separate and list all parts and hardware.
- ★ Carefully read each step and follow the correct installation sequence.
- ★ To avoid losing accessories during the assembly process, we recommend that you do not move the lighting fixture before completing the assembly work and always place the product on a flat, stable, and stable surface.
- ★ Keep all small components and packaging materials of this product away from infants and children as they may cause serious injury.

INSTALLATION

Warning: Before installation, please ensure that the relevant power switch is turned off and use a voltage tester to confirm that the power is completely disconnected!

Note: For your safety and the reliable operation of the lighting fixture, we highly recommend hiring a licensed professional electrician. They have the expertise to ensuring a safe and compliant installation!

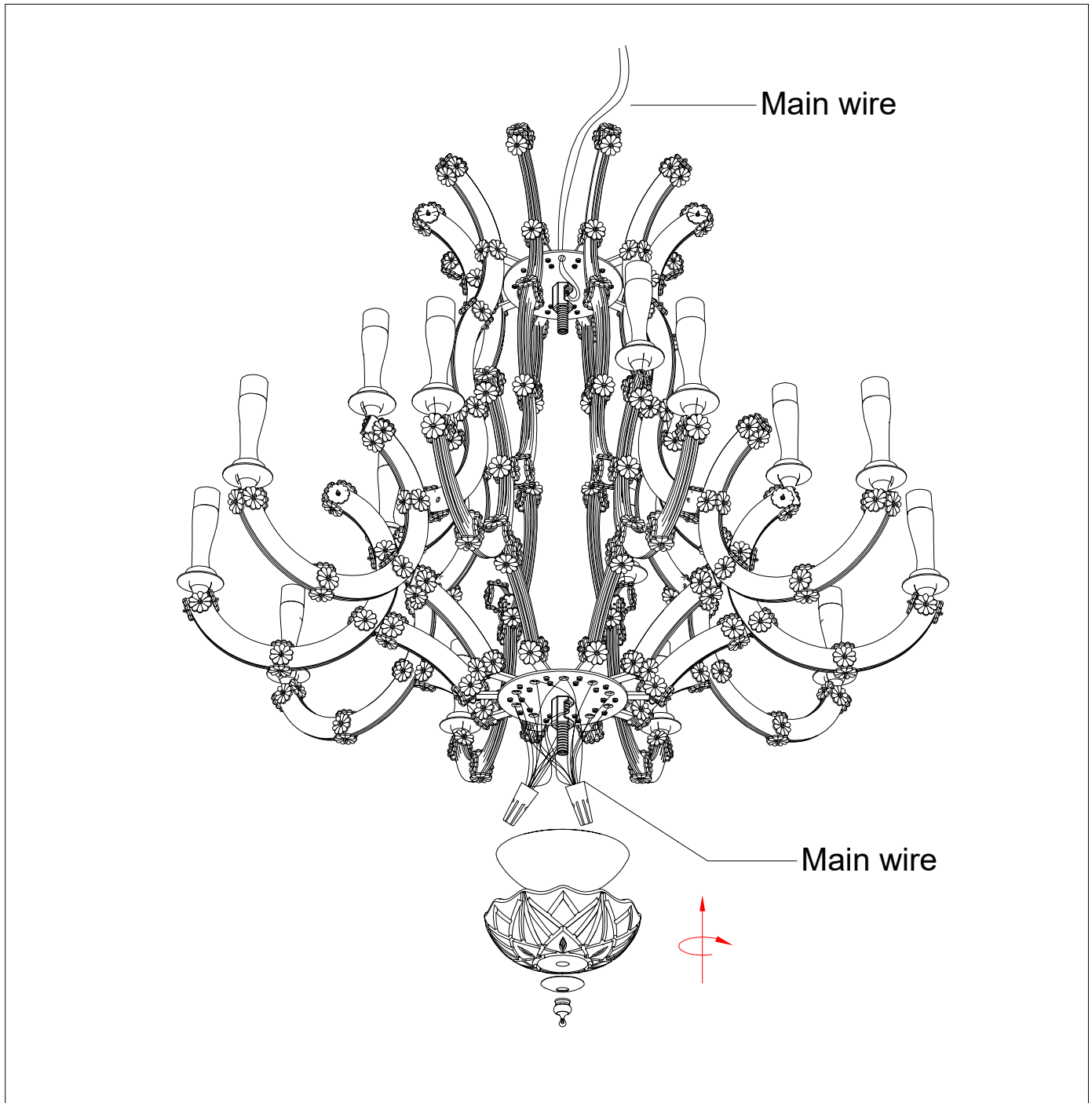
1. Unscrew the nuts and gaskets from bottom plate, thread the wires from arms through the holes of bottom plate, and then fix the arms on the plate by screwing the nuts and gaskets back to the plate.



INSTRUCTION MANUAL

2. Connection:

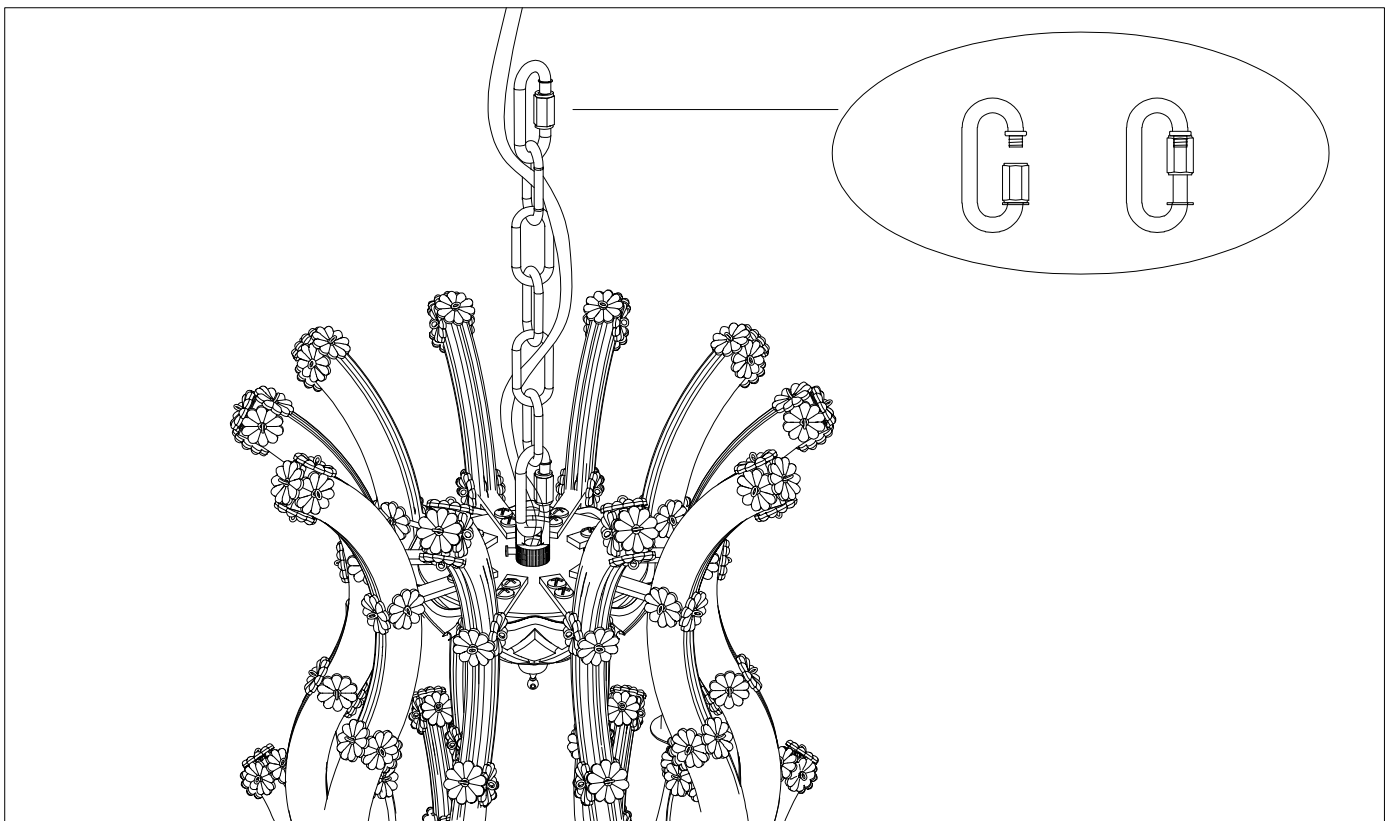
- a. Twist all Live wire (labeled L) together with wire connector, rotate the connector clockwise to firmly clamp the wires together.
- b. Twist all Neutral wire (labeled N) together with wire connector, rotate the connector clockwise to firmly clamp the wires together.
- c. Fix the bottom glass bowl on lamp body with bottom cap.



INSTRUCTION MANUAL

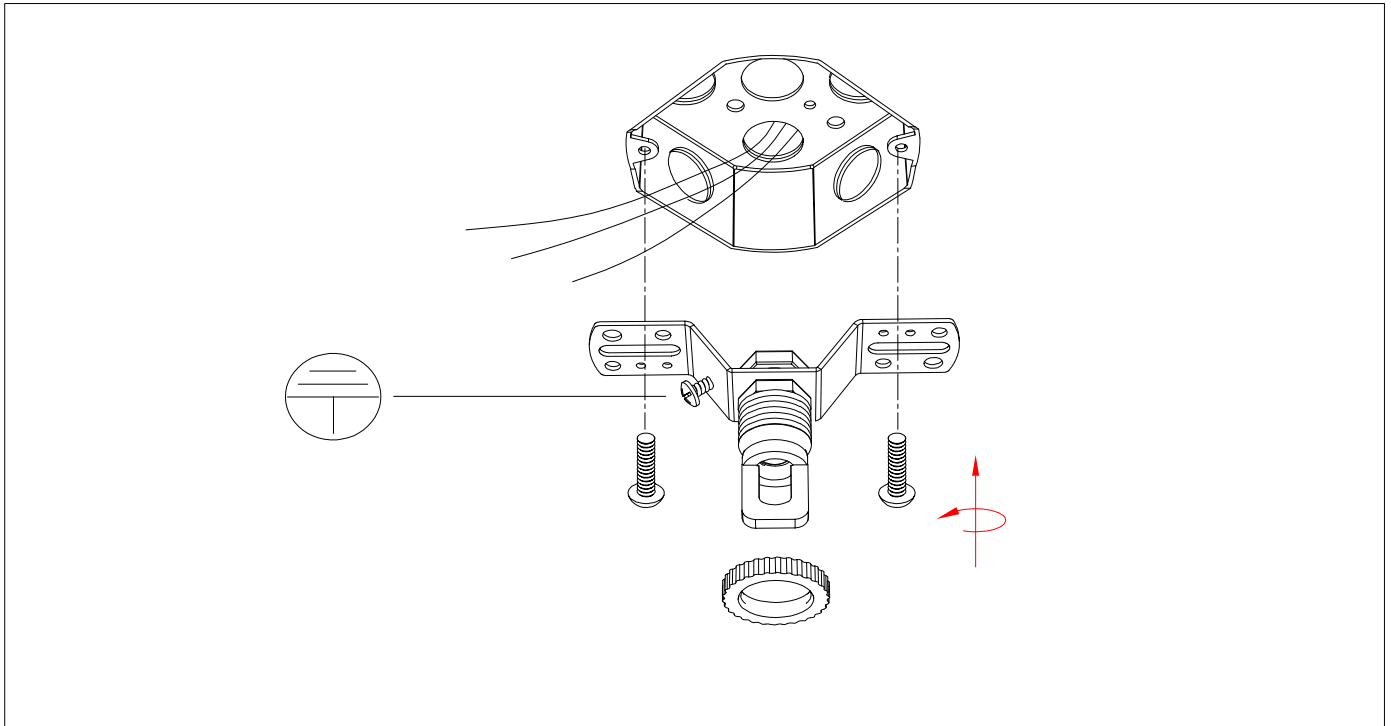


3. Attach the chains to lamp body, and then thread the wires through the chains.

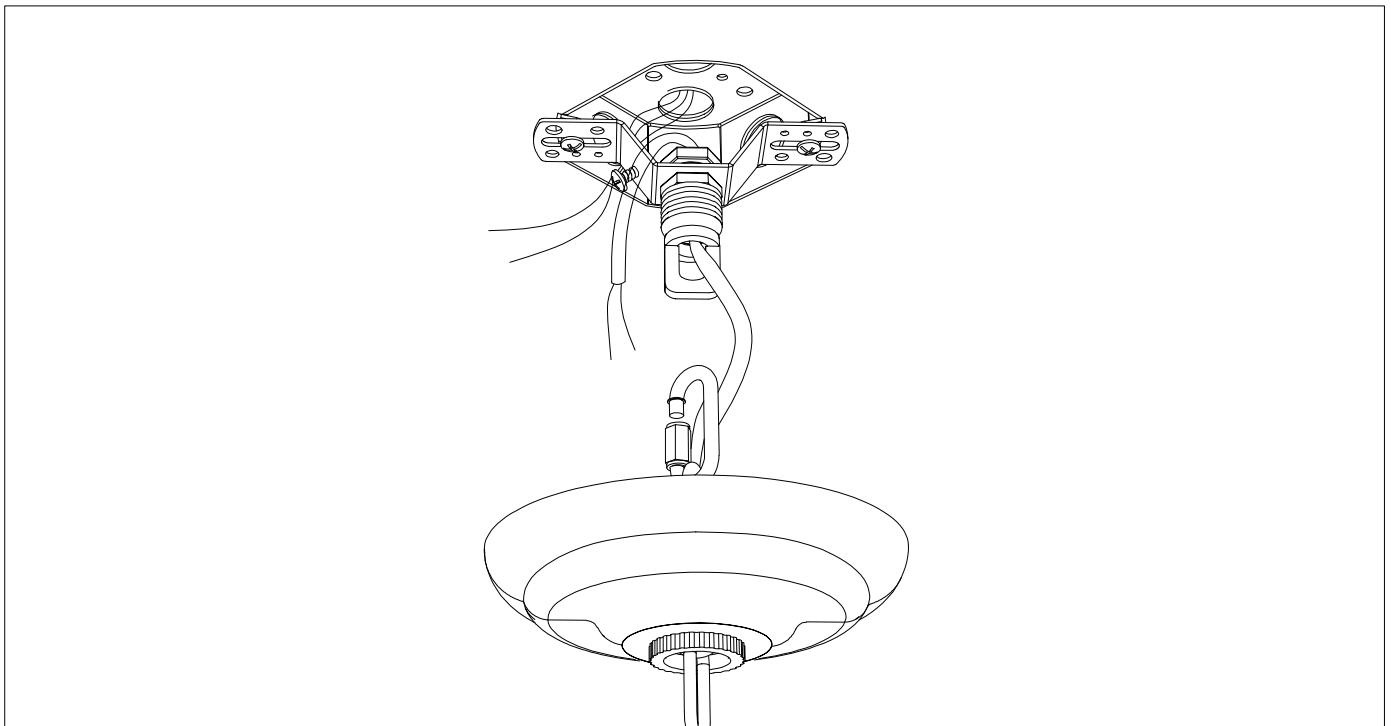


INSTRUCTION MANUAL

4. Loosen the collar ring to remove the mounting bracket from canopy, and then screw it to the ceiling junction box.

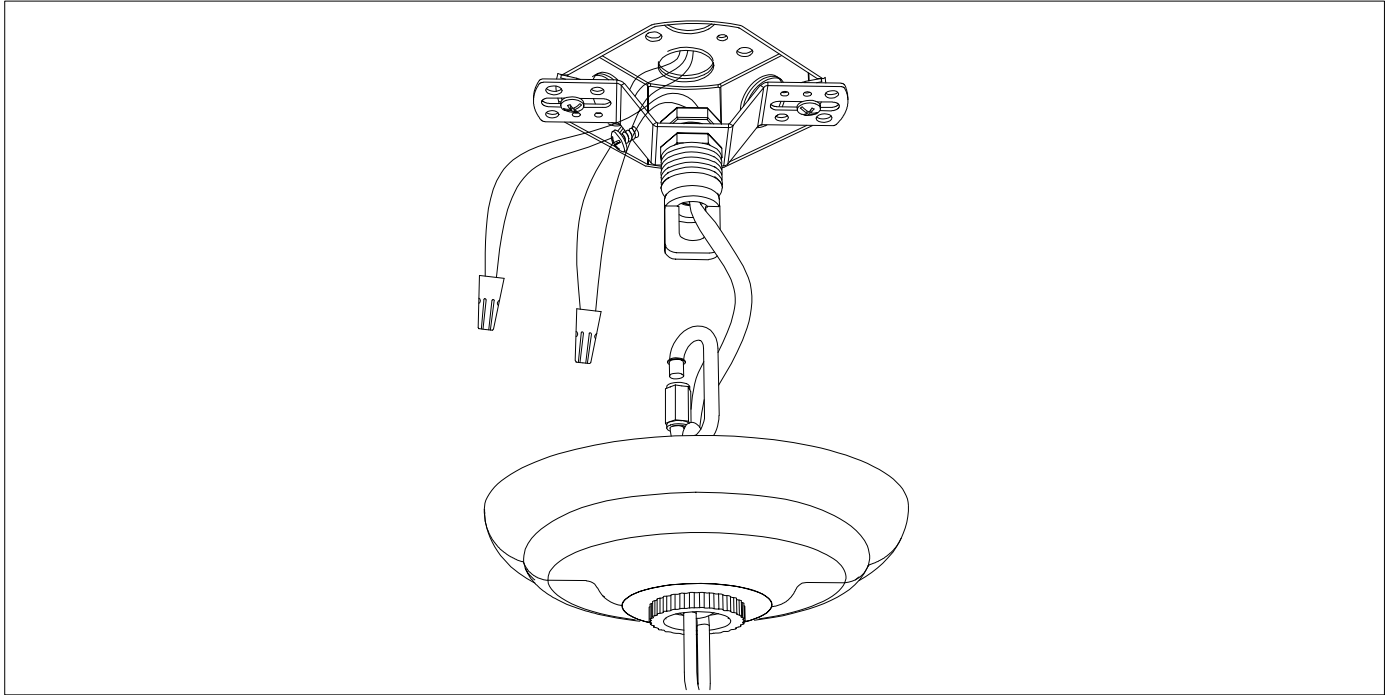


5. Thread the wires through collar ring, canopy and mounting bracket, and then thread the chains through the collar ring and canopy, and then attach the chains on the mounting bracket.

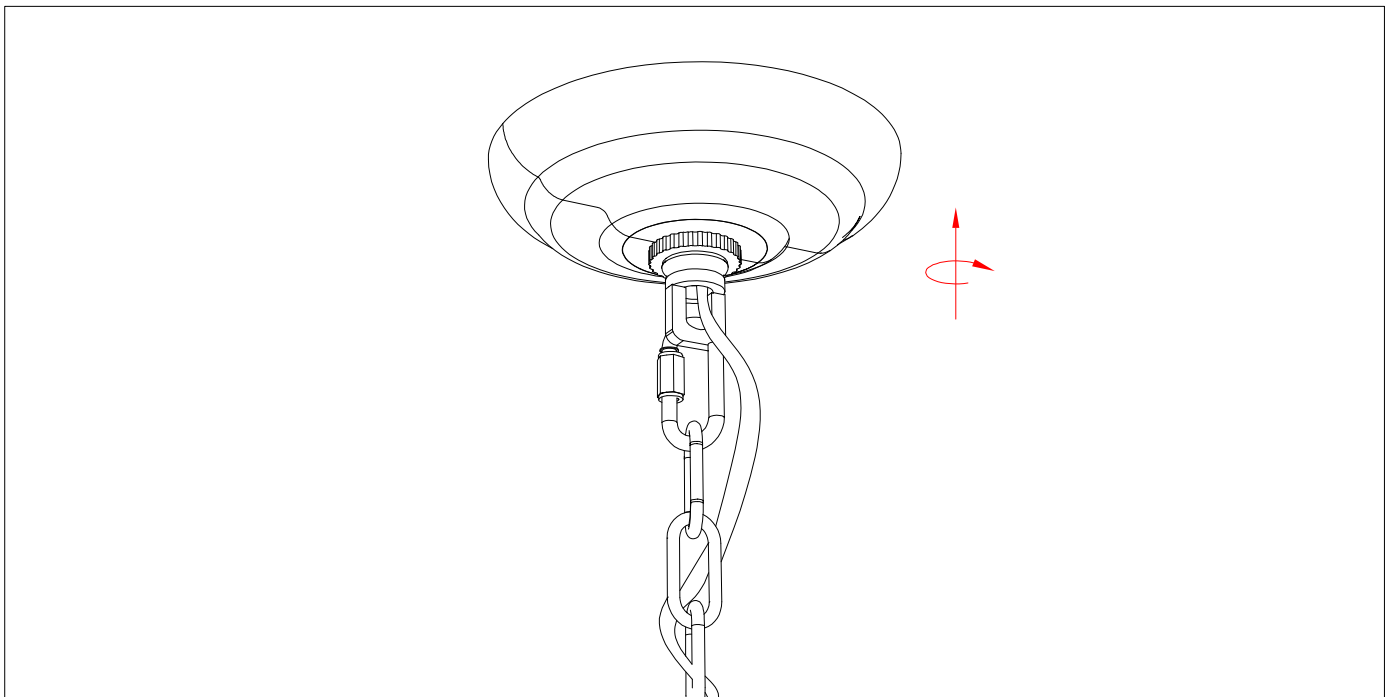


INSTRUCTION MANUAL

6. Connect the wires from lamp body and junction box with wire connectors, rotate the connector clockwise to firmly clamp the wires together. Live wire to Live wire (labeled L). Neutral wire to Neutral wire (labeled N), Ground wire to Ground wire (naked one).

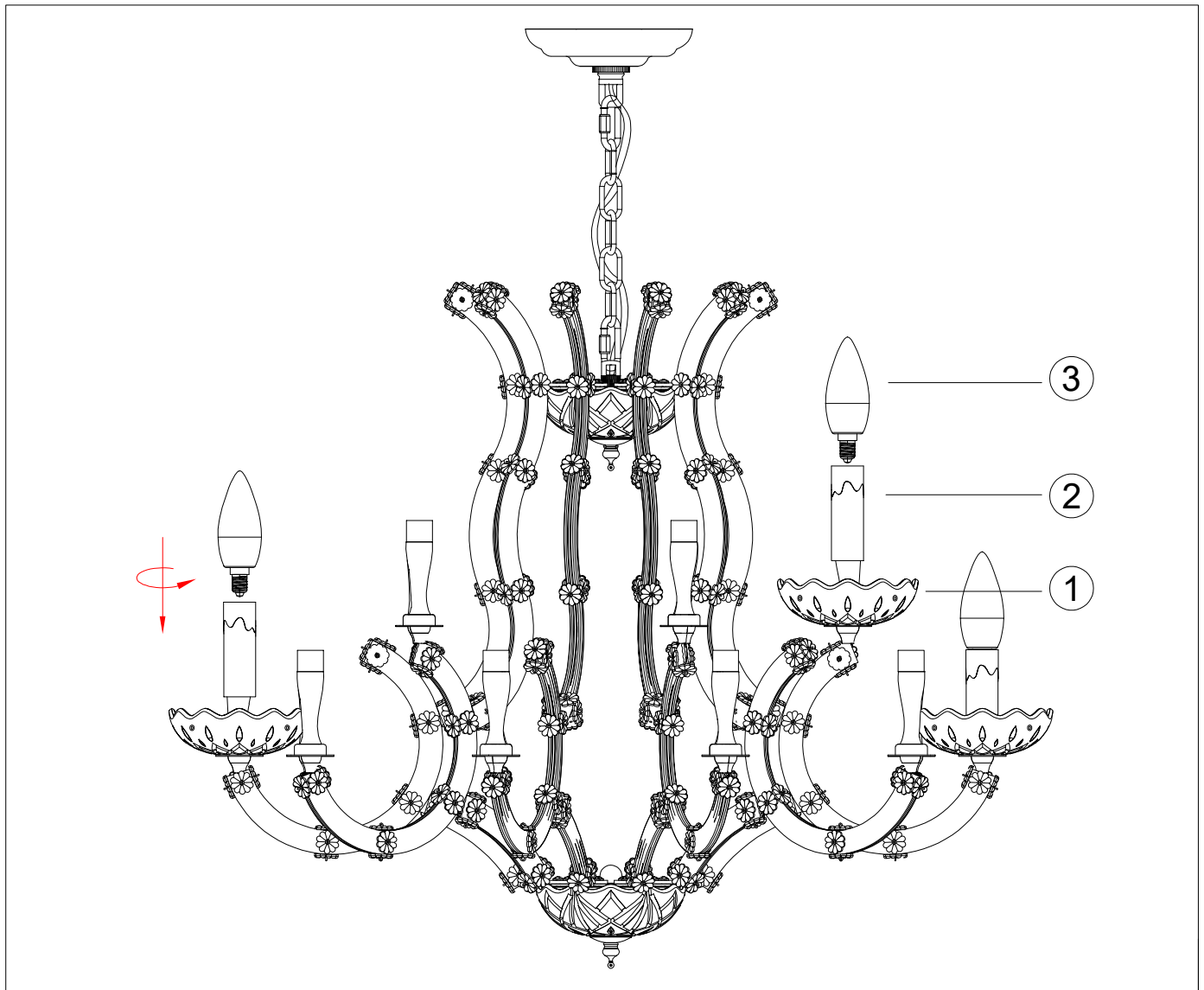


7. Push the canopy up to ceiling, and then lock it by screwing the collar ring back to mounting bracket.

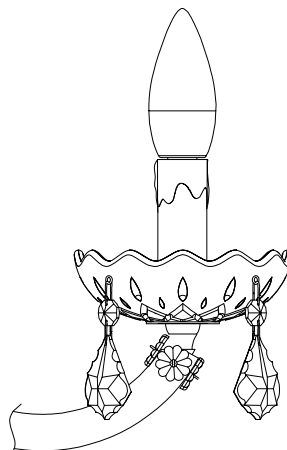


INSTRUCTION MANUAL

8. Install bulb bowls to each arm, and then attach all the crystal parts to lamp body, as below pic.

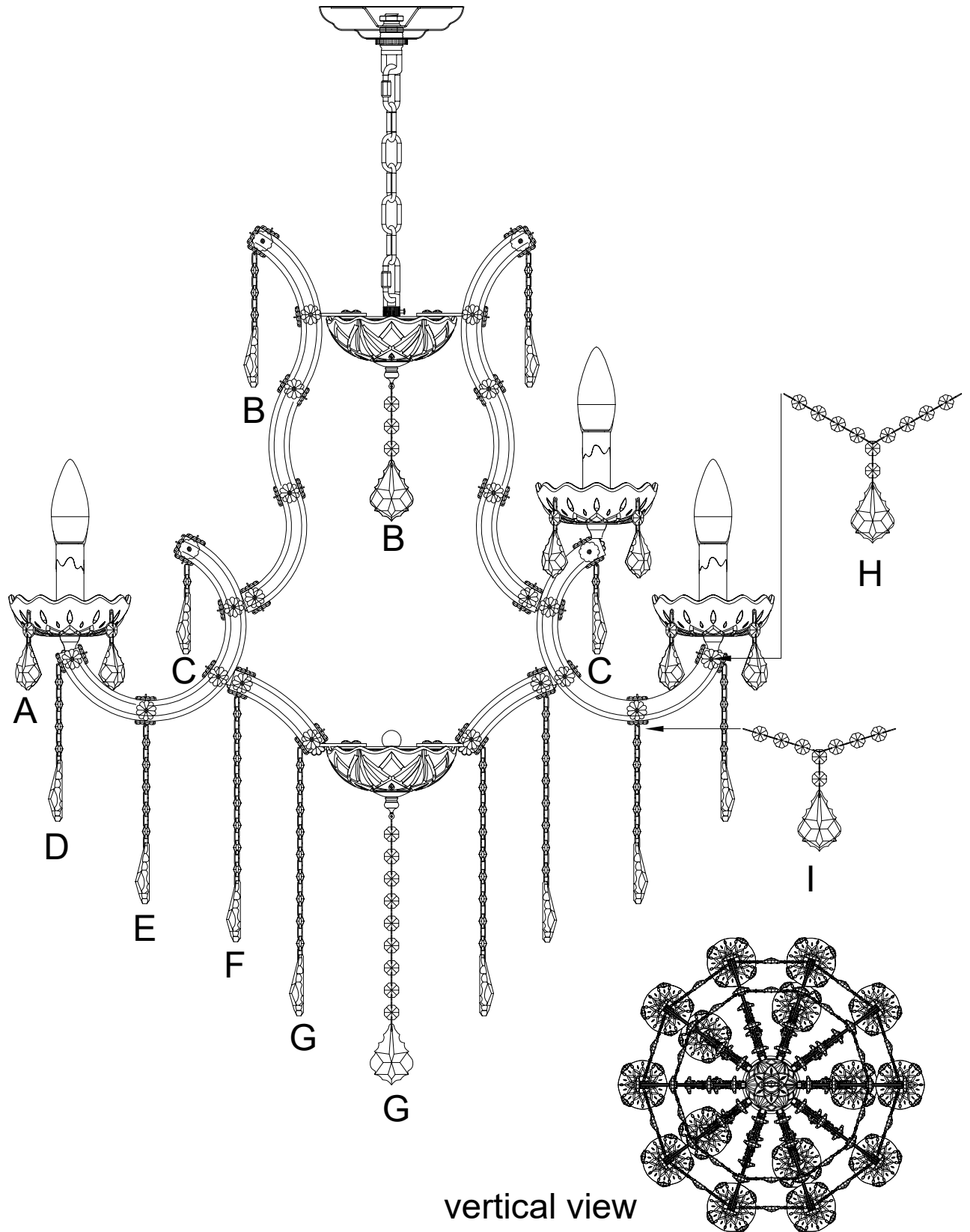


Side dish crystal.



INSTRUCTION MANUAL

9. Other crystals refer to page 2 for hanging.



**THANK YOU
FOR USING!**

