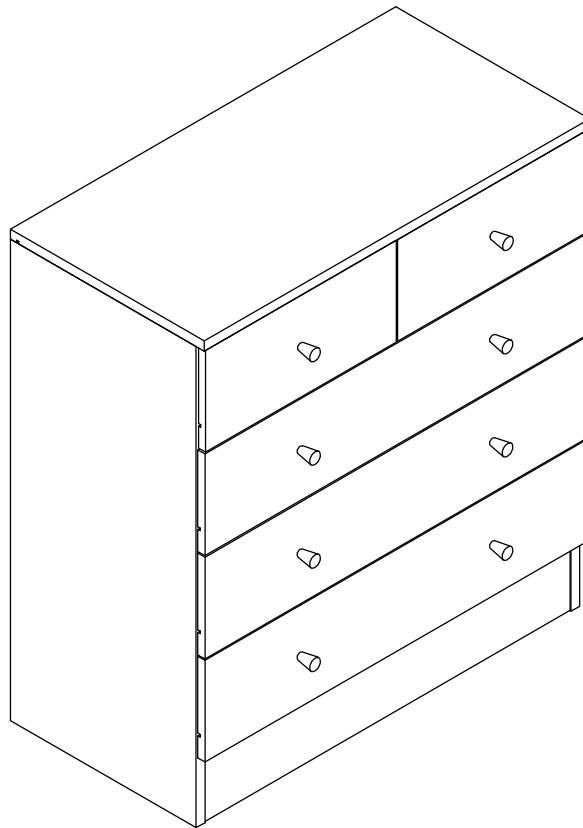
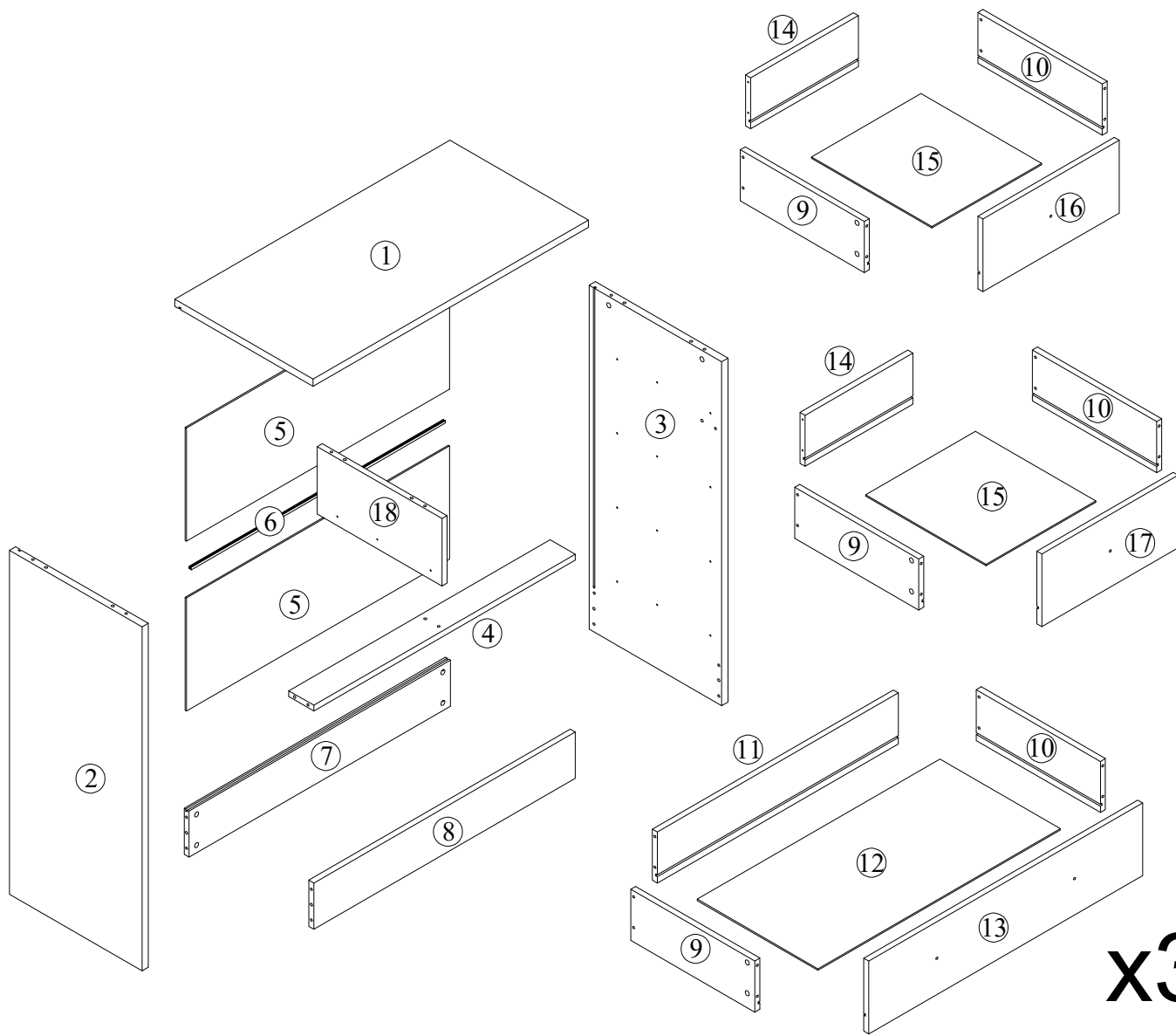


# Assembly Instruction



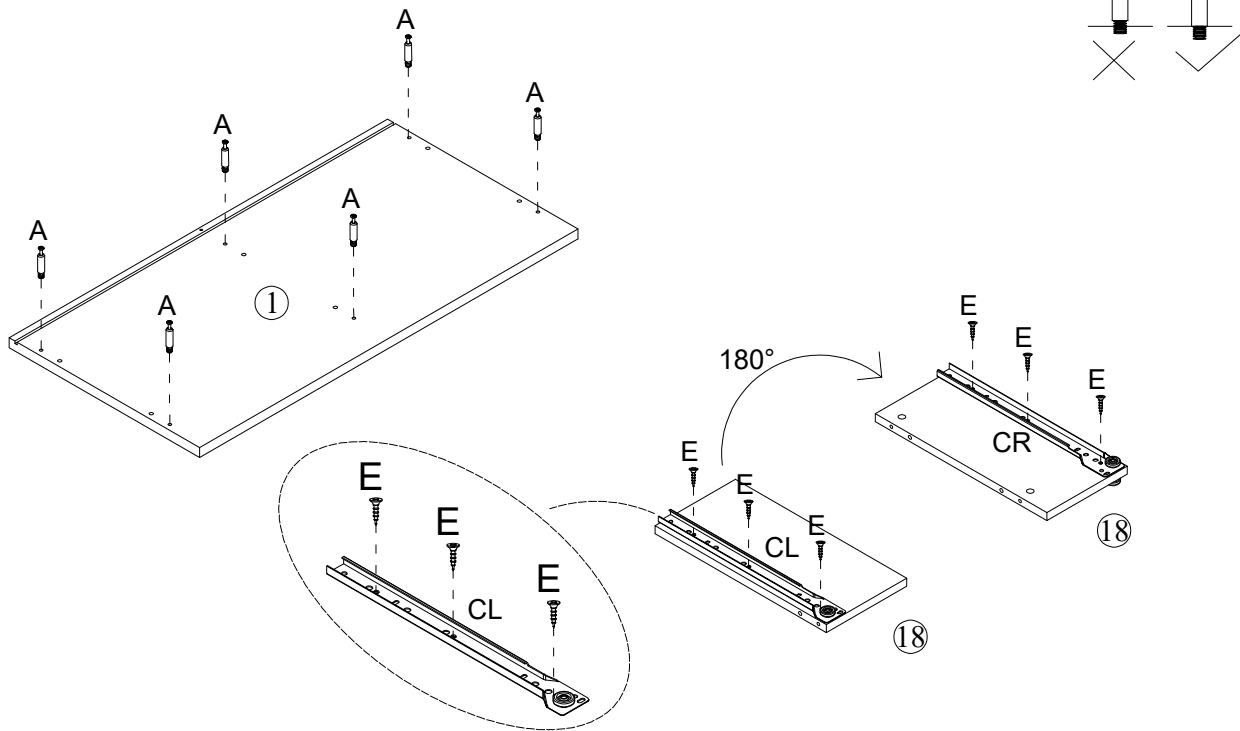


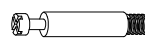

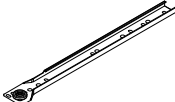
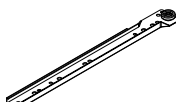
**x3**

1  659x331x15 x1	2  714x317x15 x1	3  714x317x15 x1	4  627x59x12 x1
5  634x312 x2	6  625mm x1	7  627x95x12 x1	8  627x95x12 x1
9  298x105x12 x5	10  298x105x12 x5	11  578x105x12 x3	12  585x292 x3
13  656x150x12 x3	14  259x105x12 x2	15  266x292 x2	16  326x150x12 x1
17  326x150x12 x1	18  298x140x12 x1		

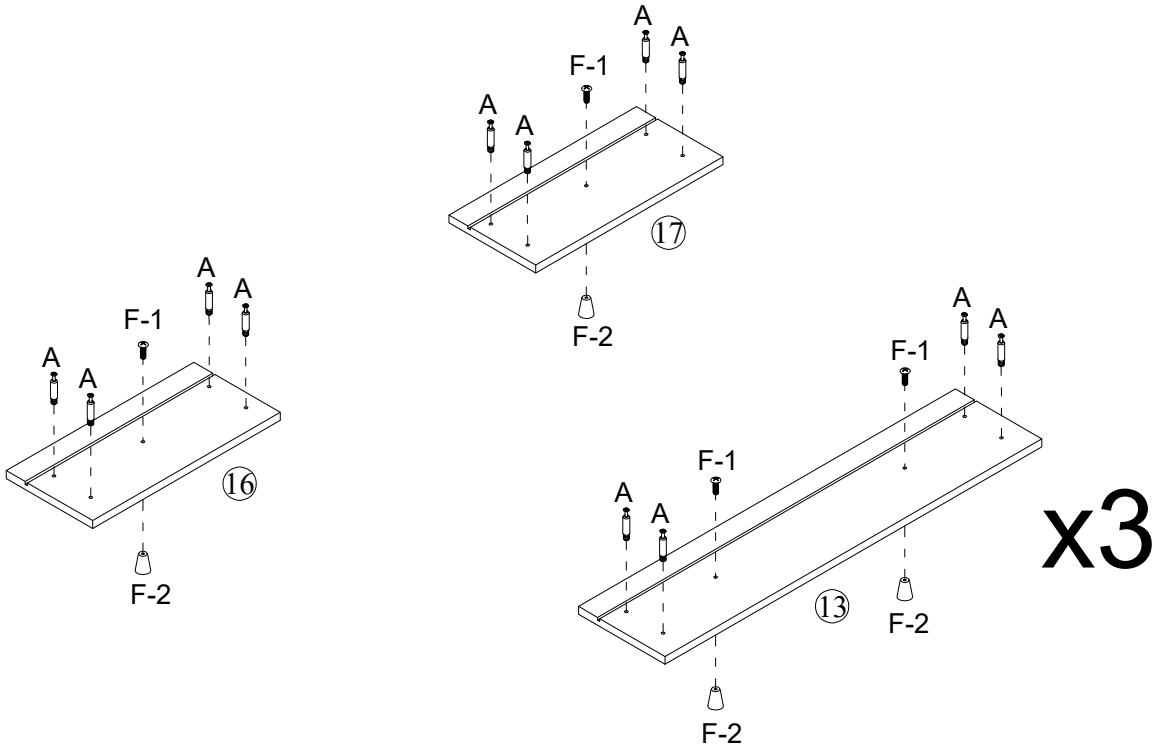
A  Φ6X35mm x 36+1	B  Φ15X10mm x 36+1	C  Φ6X30mm x 13+1	D  Φ4X35mm x 21+1	E  Φ3X12mm x 60+2
F  Φ4X18mm x 8	G  Φ3X16mm x 8	H  Φ4X12mm x 1	I  Φ4X45mm x 1	J  25X12mm x 4
CL  L300 x 5	CR  L300 x 5	DL  L300 x 5	DR  L300 x 5	

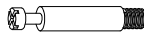


1



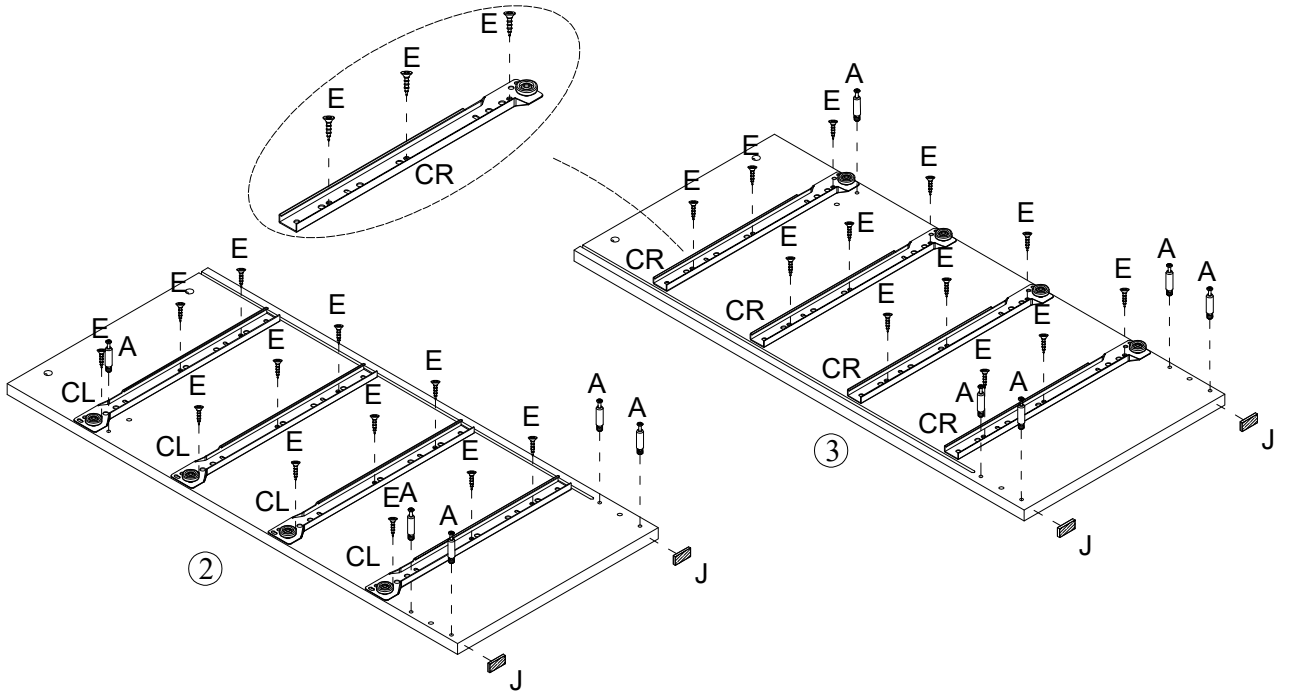
<p>A</p>  <p>x 6</p>	<p>E</p>  <p>x 6</p>	<p>CL</p>  <p>x 1</p>	<p>CR</p>  <p>x 1</p>
--	--	---	---

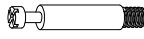

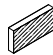
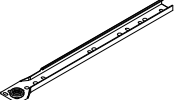
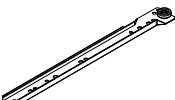
2



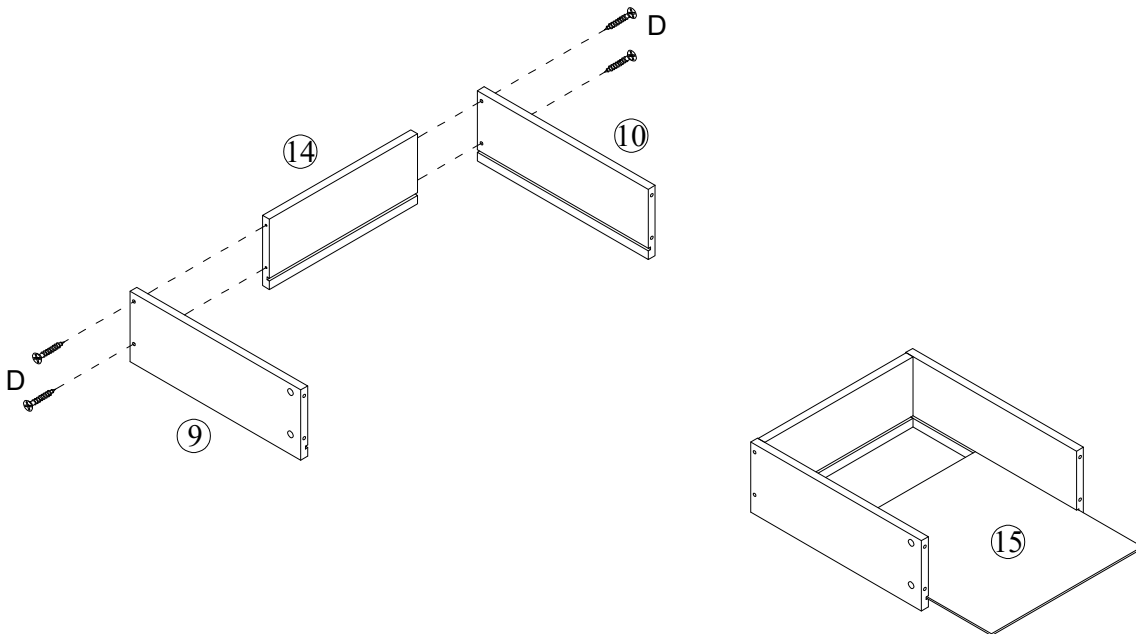
<p>A</p>  <p>x 20</p>	<p>F</p> <p>F-1</p>  <p>F-2</p>  <p>x 8</p>
--	---

3




<p>A</p>  <p>x 10</p>	<p>E</p>  <p>x 24</p>	<p>J</p>  <p>x 4</p>	<p>CL</p>  <p>x 4</p>	<p>CR</p>  <p>x 4</p>
--	--	--	---	---

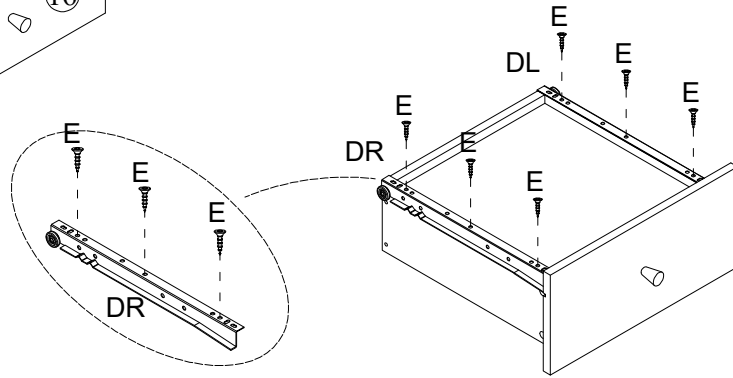
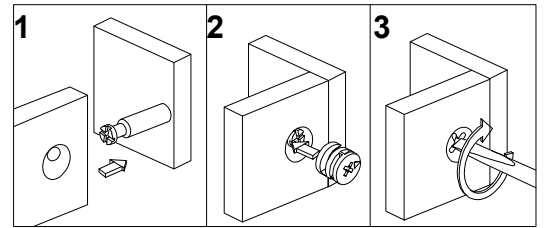
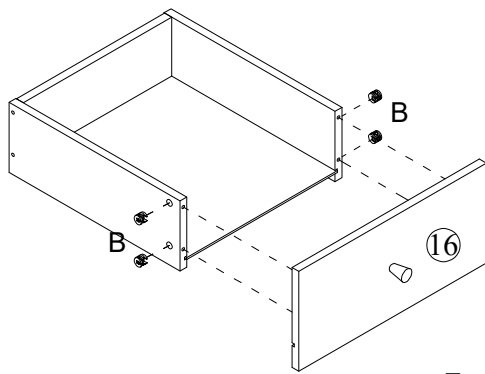
4


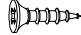
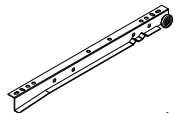
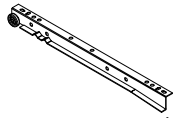


x2

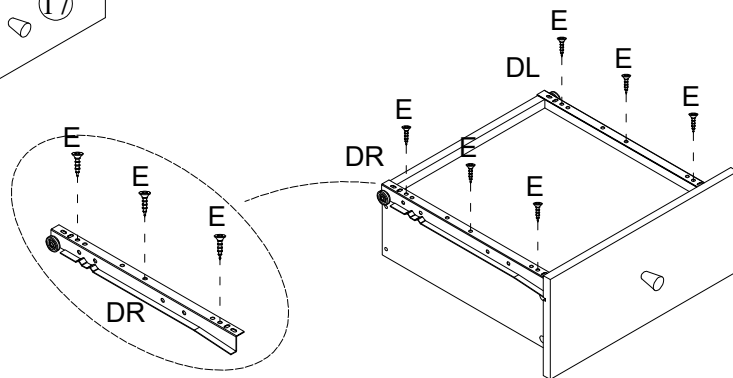
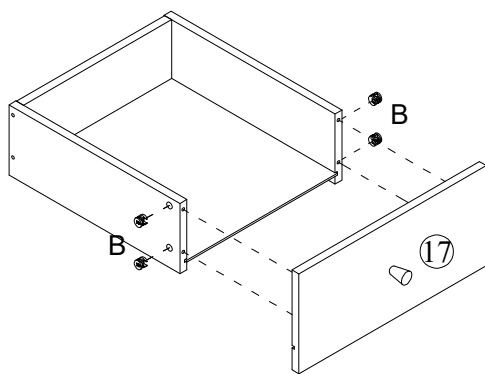
<p>D</p>  <p>x 8</p>
---


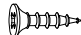
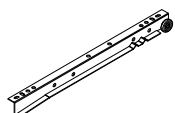
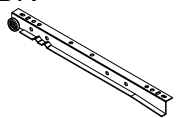
5



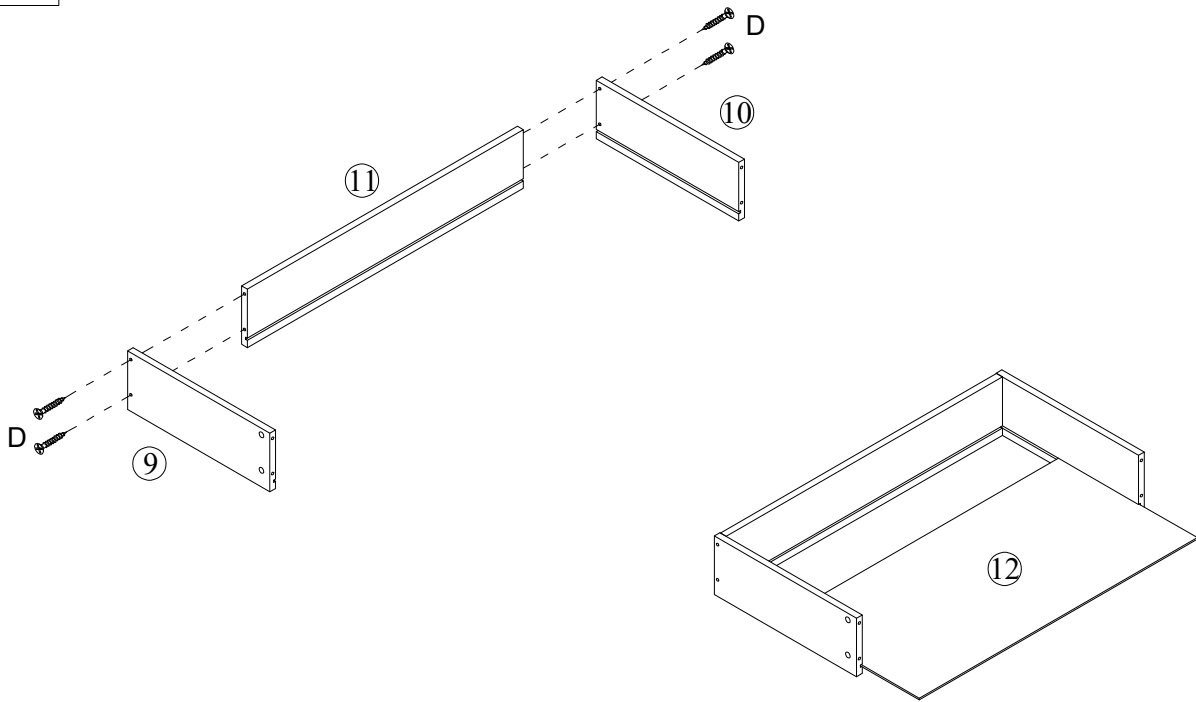
<p>B</p>  <p>x 4</p>	<p>E</p>  <p>x 6</p>	<p>DL</p>  <p>x 1</p>	<p>DR</p>  <p>x 1</p>
--	---	---	---

6

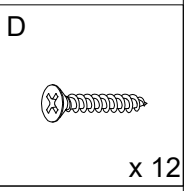


<p>B</p>  <p>x 4</p>	<p>E</p>  <p>x 6</p>	<p>DL</p>  <p>x 1</p>	<p>DR</p>  <p>x 1</p>
---	---	--	--

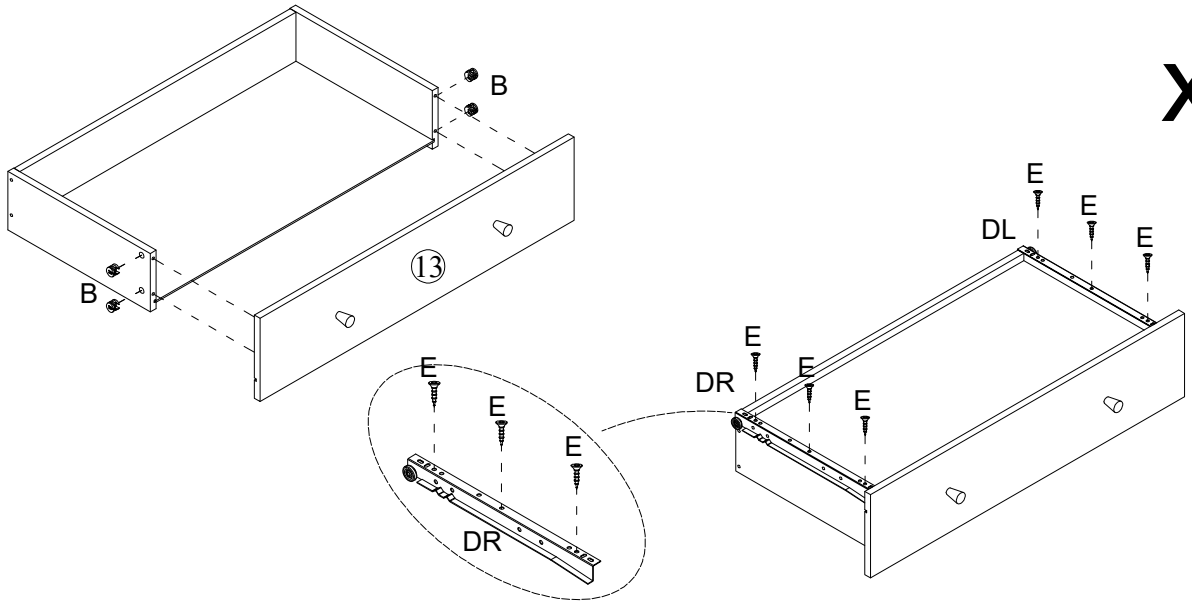
7



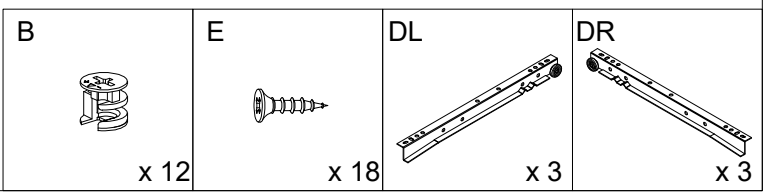
x3



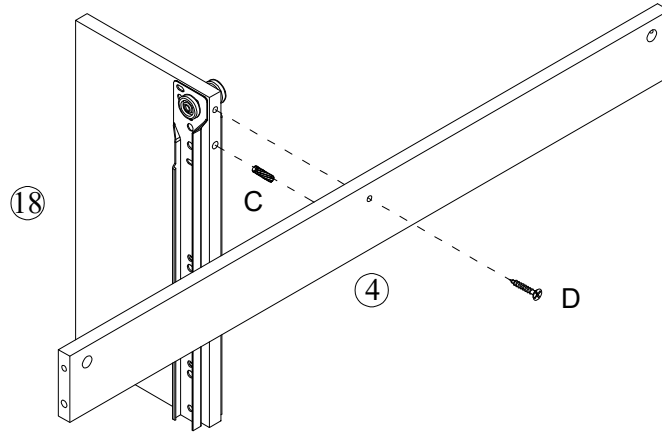
8

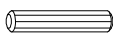
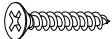


x3

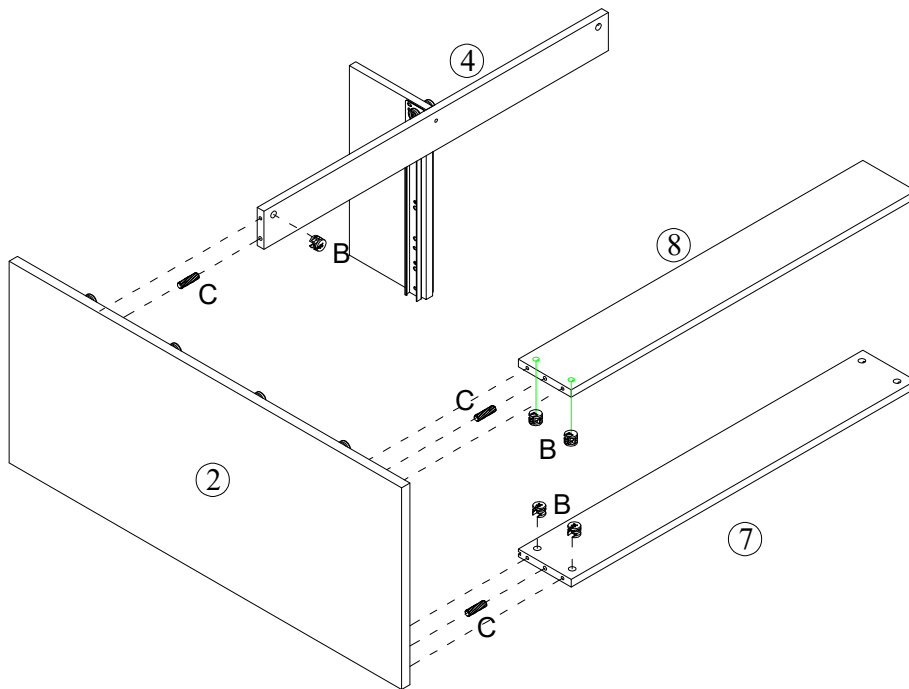




9



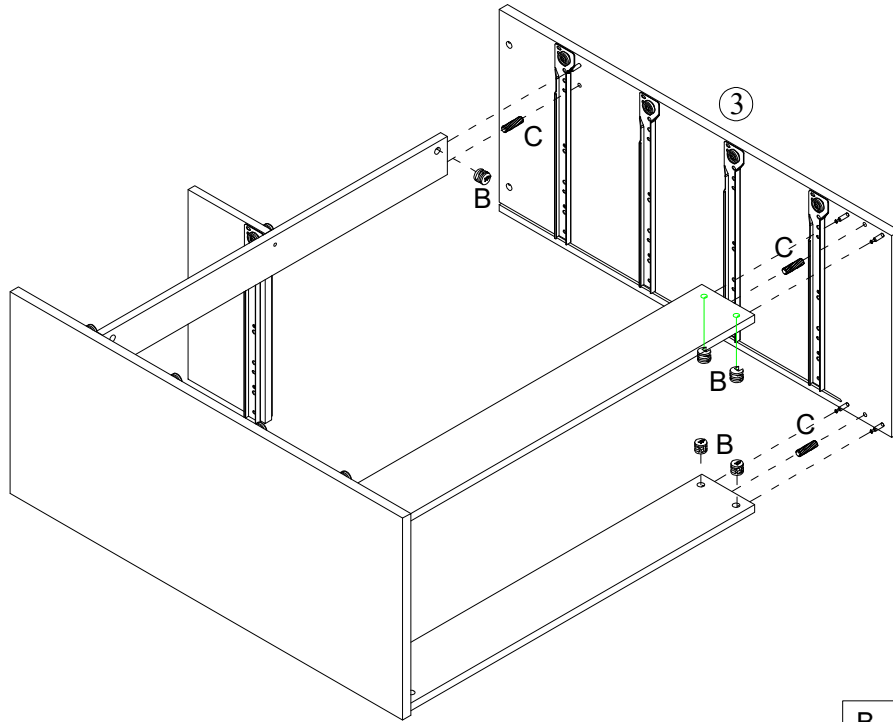
<p>C</p>  <p>x 1</p>	<p>D</p>  <p>x 1</p>
---	--


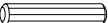
10



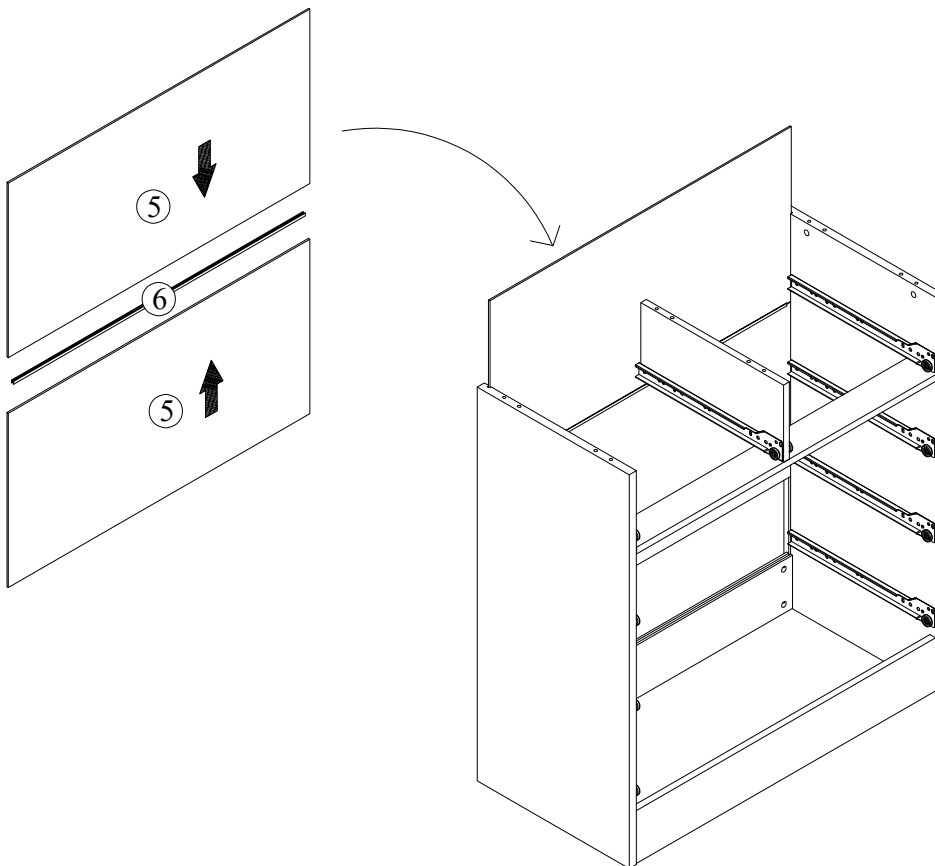
<p>B</p>  <p>x 5</p>	<p>C</p>  <p>x 3</p>
---	---

11

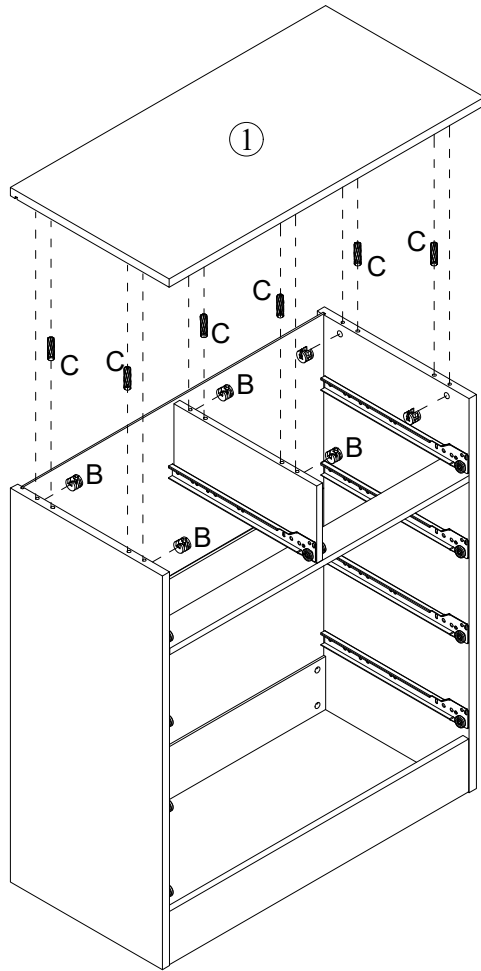




<b>B</b>  x 5	<b>C</b>  x 3
---	--

12

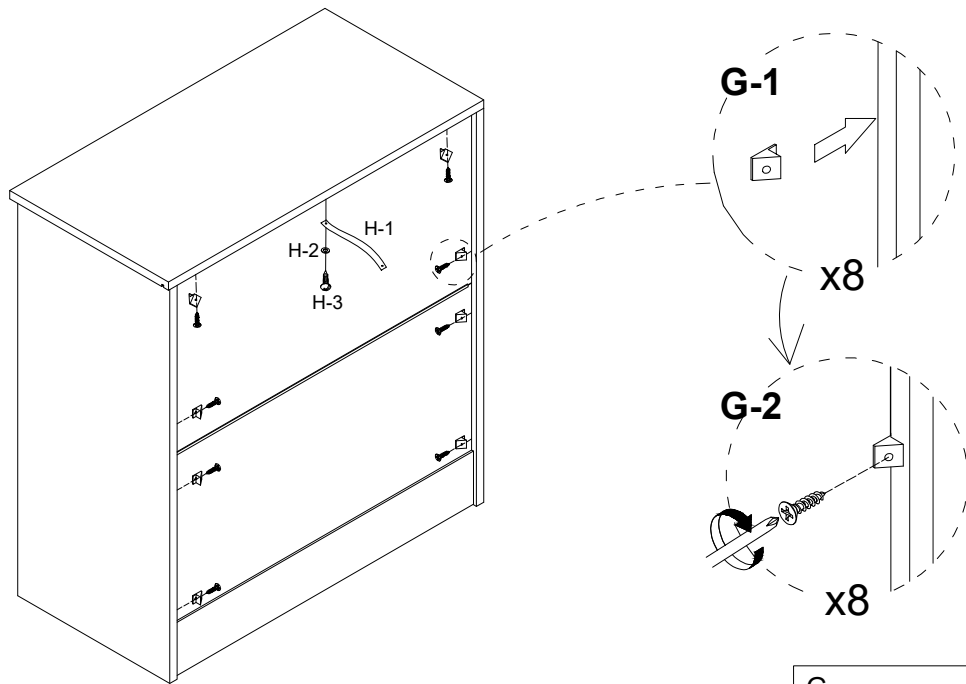







13



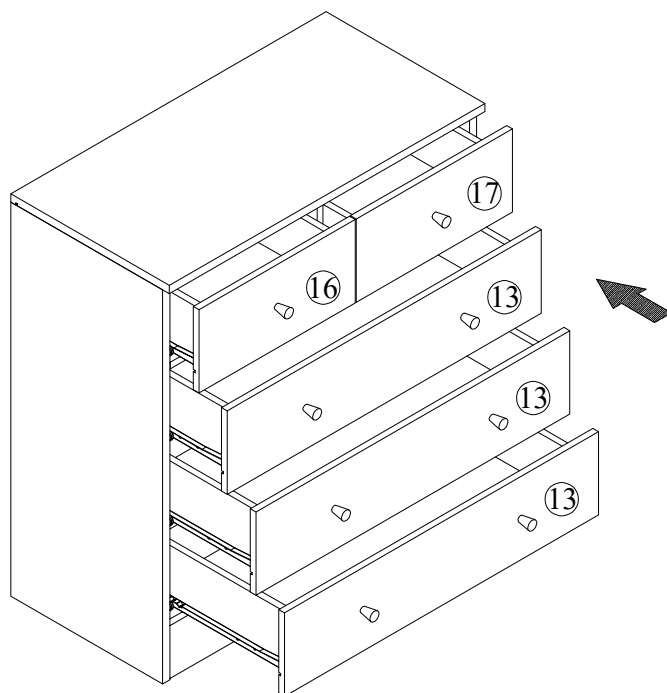
<p><b>B</b></p>  <p>x 6</p>	<p><b>C</b></p>  <p>x 6</p>
---	--

14

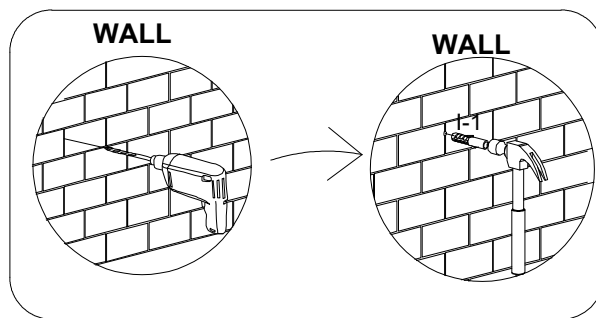
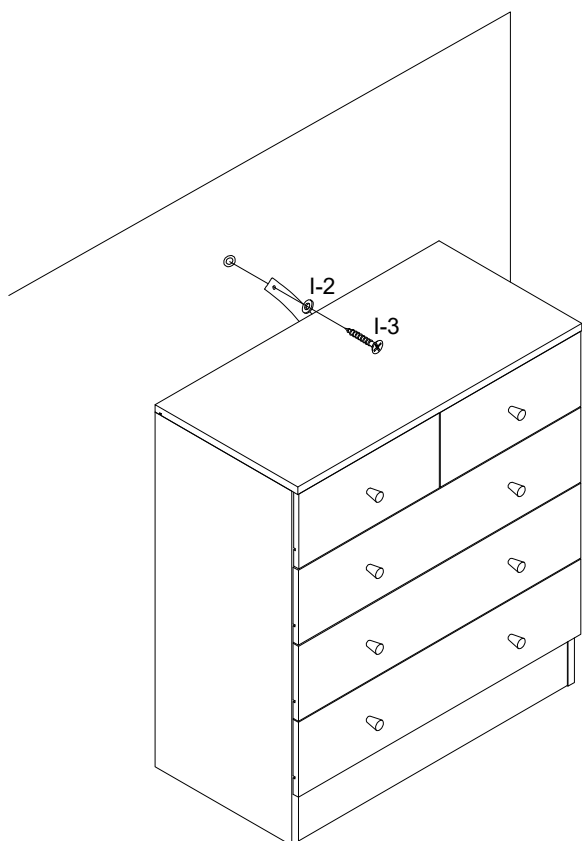





<p><b>G</b></p> <p>G-1 G-2</p>   <p>x 8</p>	<p><b>H</b></p> <p>H-1 H-2 H-3</p>    <p>x 1</p>
---	---

15



16



I		
I-1	I-2	I-3
		
x 1		