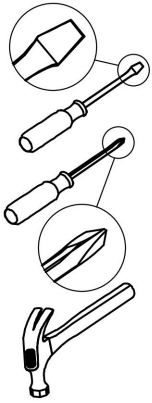


As this item contains many parts, please read the installation instruction carefully before installation and complete the installation with the cooperation of your partner. Please use tools properly and carefully. If you have any questions about the product and installation, please contact us.

MADE IN CHINA

# Before You Start

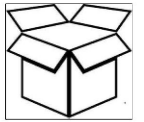


- ✓ Read through each step carefully and follow the proper order
- ✓ Separate and count all your parts and hardware
- ✓ Give yourself enough room for the assembly process
- ✓ Have the following tools: Flat Head Screwdriver, #2 Phillips Head Screwdriver and Hammer
- ✓ Caution: If using a power drill or power screwdriver for screwing, please be aware of to slow down and stop when screw is tight. Failure to do so may result in stripping the screw. (Assembly speed can be increased by using electric screwdriver)

# Helpful Hints

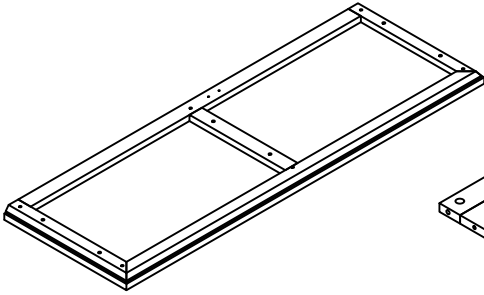
## PEOPLE NEEDED FOR ASSEMBLY: 1-2

- Open your item in the area you plan to keep it to avoid excessive heavy lifting.
- Identify, sort and count the parts before attempting assembly.
- Compression dowels are lightly tapped in with a hammer.
- Slides are labeled with an **R** (right) and **L** (left) for proper placement.
- Make sure to always face the point on the top of the Cam Lock towards the outer edge.
- If there is a back panel in the package, please install it to make sure your unit is complete and sturdy.
- Please fix all the screws provided for the back panel which can enhance product stability. If it is difficult to fix it when tightening, it can be fixed with the help of a hammer and then tightened.
- Do NOT use harsh chemicals or abrasive cleaners on this item.
- Never push, pull, or drag your furniture.

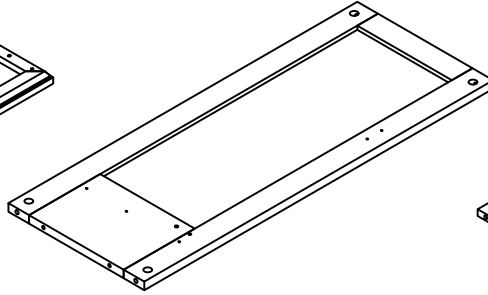


# Board Identification

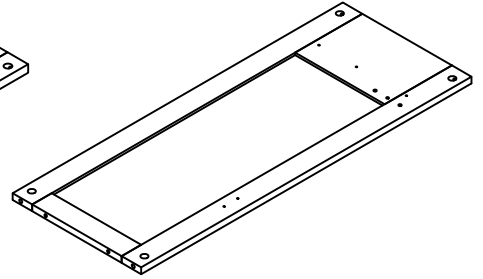
Not actual size



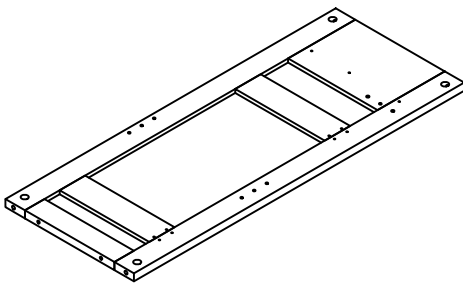
Ⓐ  
Qty:1



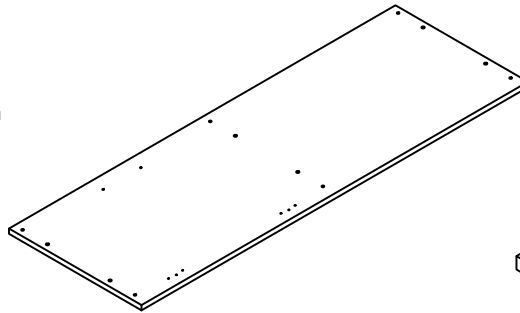
Ⓑ  
Qty:1



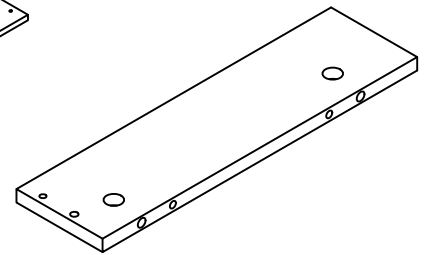
Ⓒ  
Qty:1



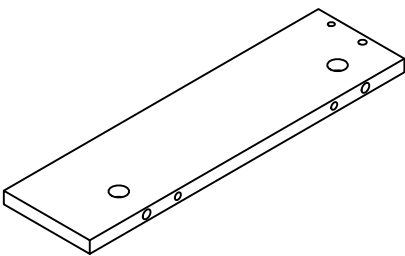
Ⓓ  
Qty:1



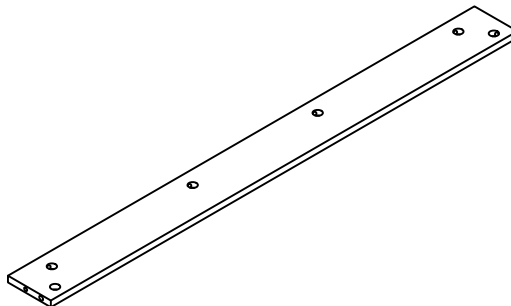
Ⓔ  
Qty:1



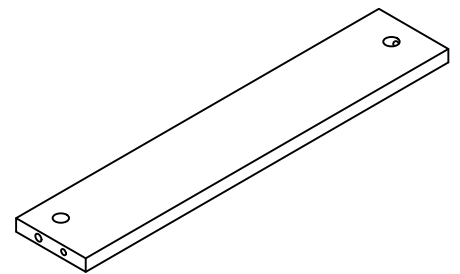
Ⓕ  
Qty:1



Ⓖ  
Qty:1



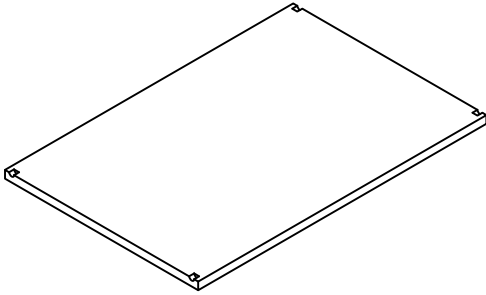
Ⓖ  
Qty:1



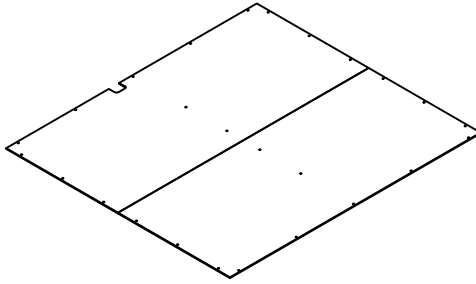
Ⓖ  
Qty:2

# Board Identification

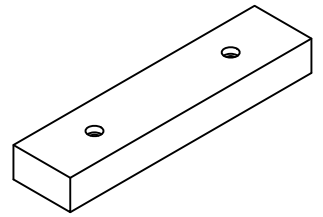
Not actual size



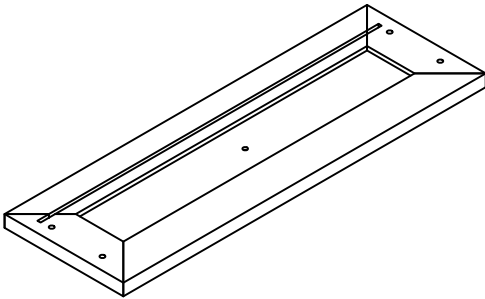
ⓐ  
Qty:1



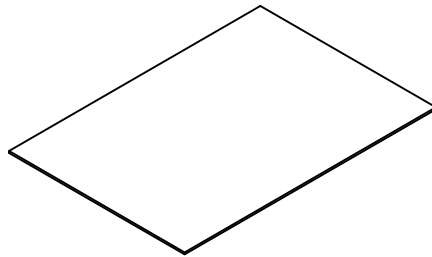
ⓑ  
Qty:1



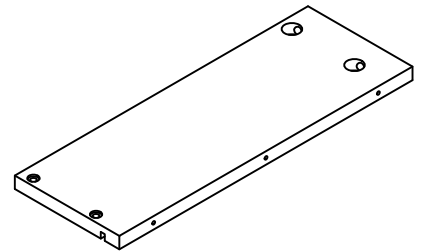
ⓒ  
Qty:1



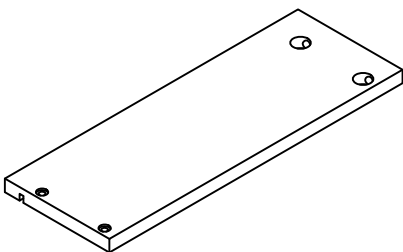
ⓓ  
Qty:2



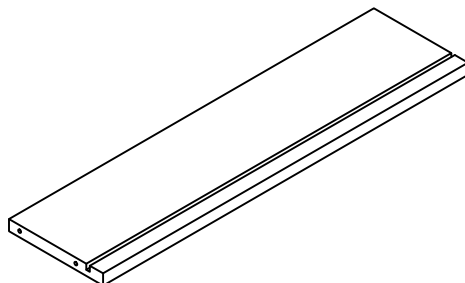
ⓔ  
Qty:2



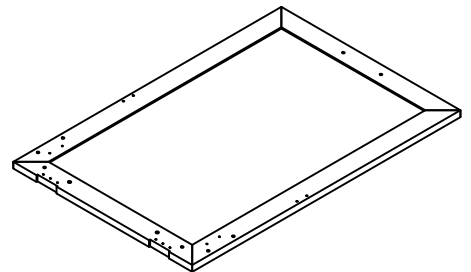
ⓕ  
Qty:2



ⓖ  
Qty:2



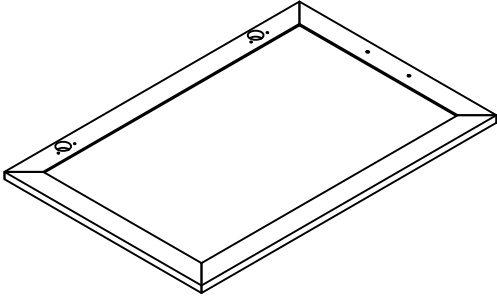
ⓗ  
Qty:2



ⓘ  
Qty:1

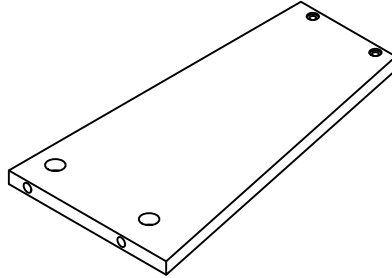
# Board Identification

Not actual size



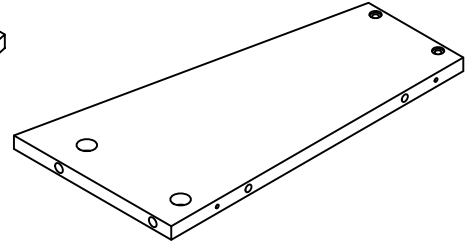
Ⓢ

Qty:1



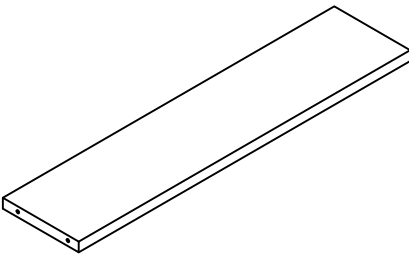
Ⓣ

Qty:1



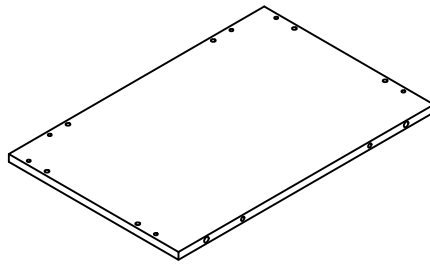
Ⓤ

Qty:1



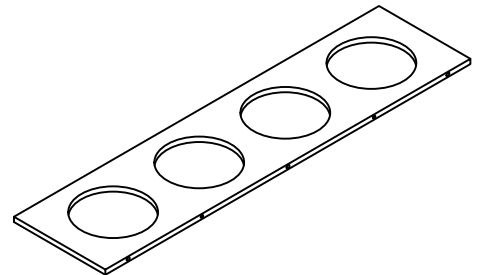
Ⓥ

Qty:1



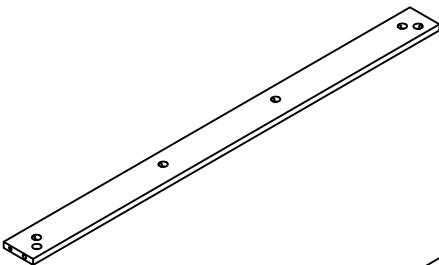
Ⓦ

Qty:1



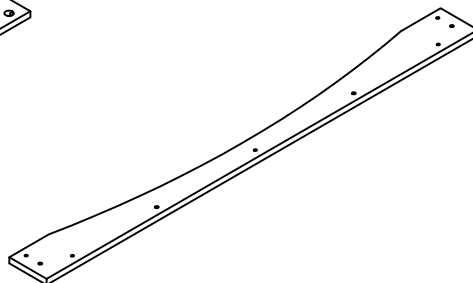
Ⓧ

Qty:1



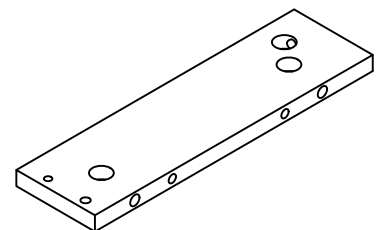
Ⓨ

Qty:1



Ⓩ

Qty:1



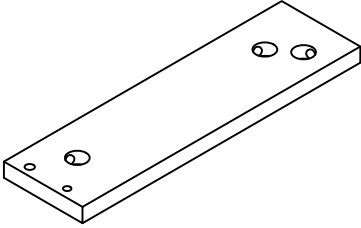
ⒶⒶ

Qty:1

---

# Board Identification

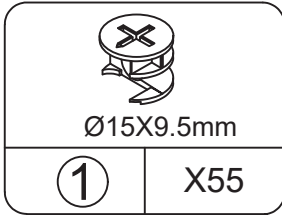
Not actual size



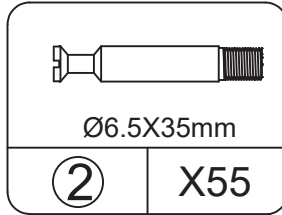
Ⓟ

Qty:1

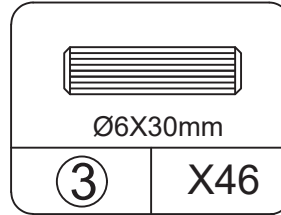
# Part List



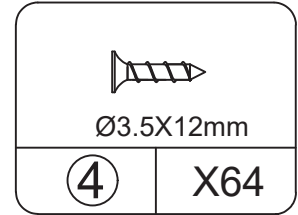
CAM LOCK  
spare:3



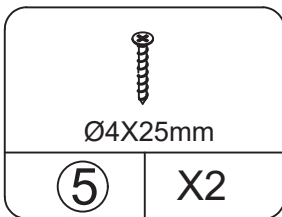
CAM BOLT  
spare:3



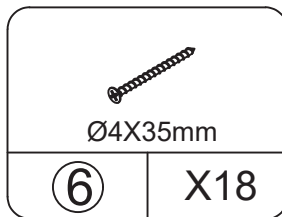
WOOD DOWEL  
spare:3



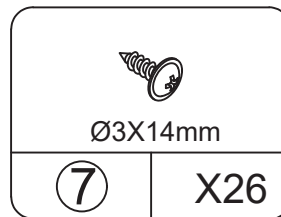
SCREW  
spare:3



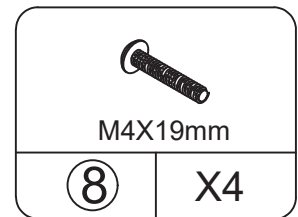
SCREW  
spare:1



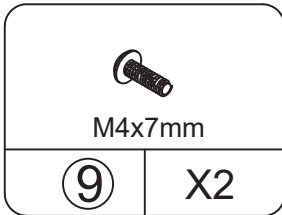
SCREW  
spare:2



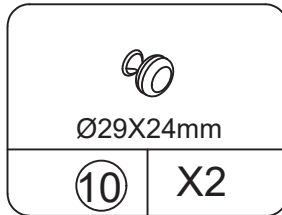
SCREW  
spare:2



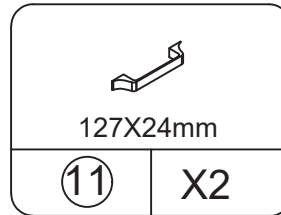
SCREW



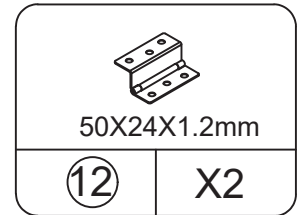
SCREW



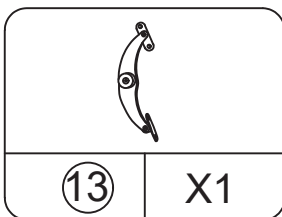
KNOB



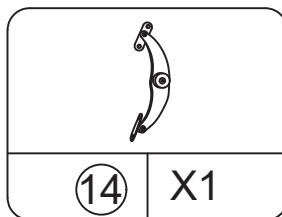
HANDLE



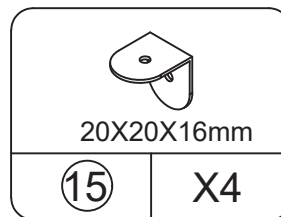
TRIPLE-FOLD HINGE



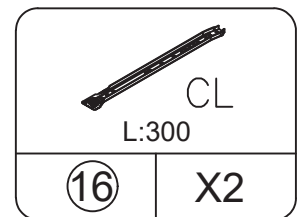
LEFT SUPPORT HINGE



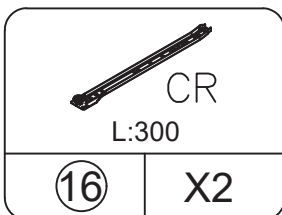
RIGHT SUPPORT HINGE



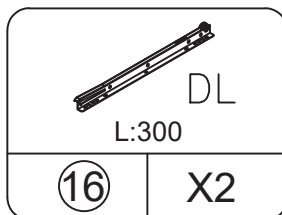
CORNER BRACE



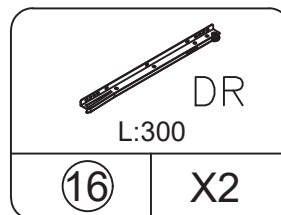
LEFT CABINET MEMBER



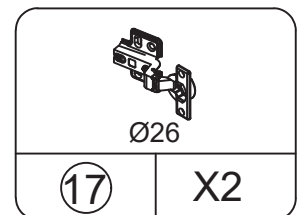
RIGHT CABINET MEMBER



LEFT DRAWER RUNNER

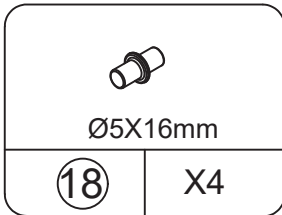


RIGHT DRAWER RUNNER

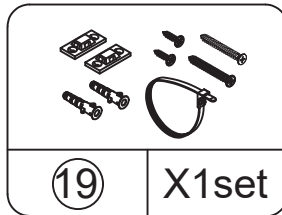


HINGE

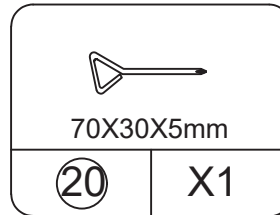
# Part List



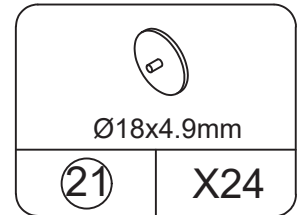
SHELF SUPPORT  
spare:1



ANTI-TIP WALL ANCHORS



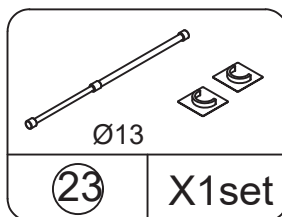
SCREWDRIVER



HOLE PIUG  
spare:2



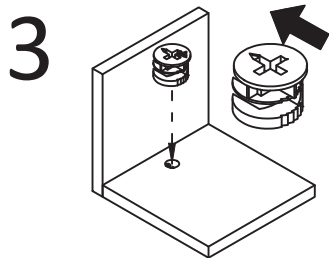
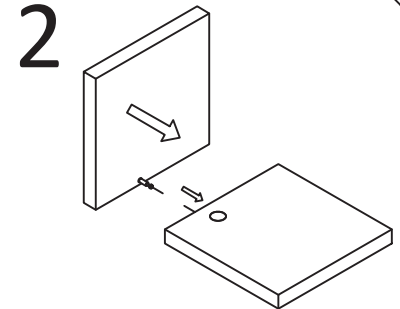
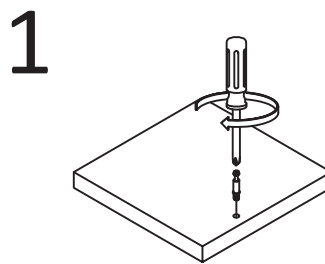
PET BOWL



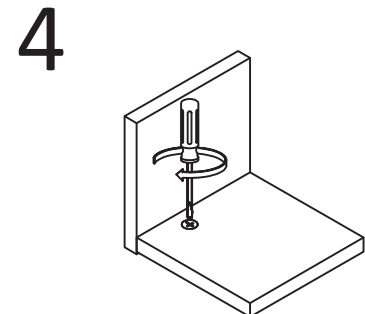
ADJUSTABLE CLOSET ROD

## Cam Lock Fastening System

Insert the cam bolt into the hole first, then insert the cam lock and lock it.

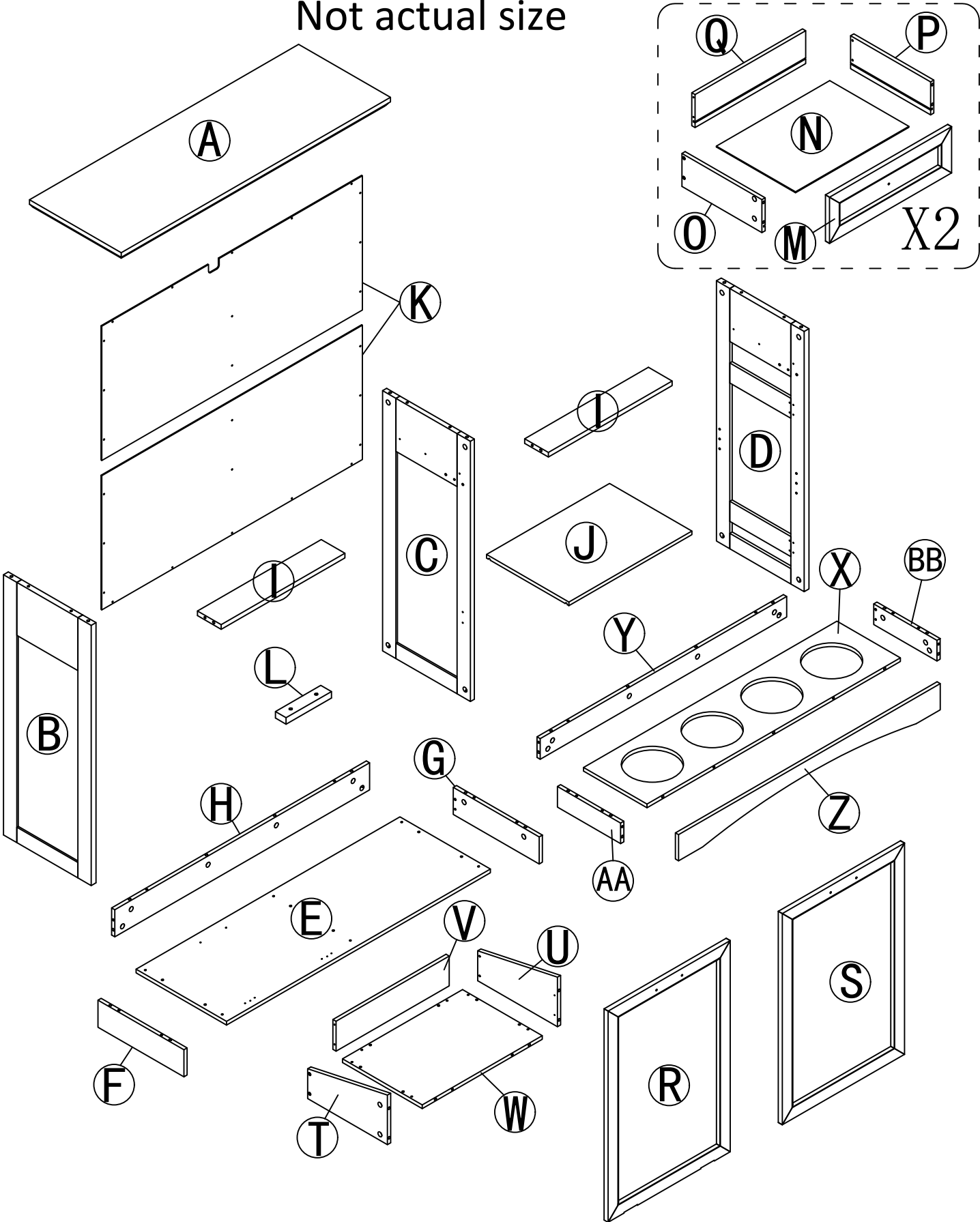


The opening must point toward the edge of the board



# Board Identification

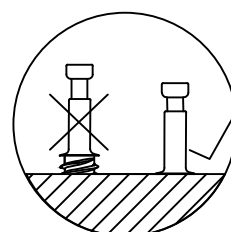
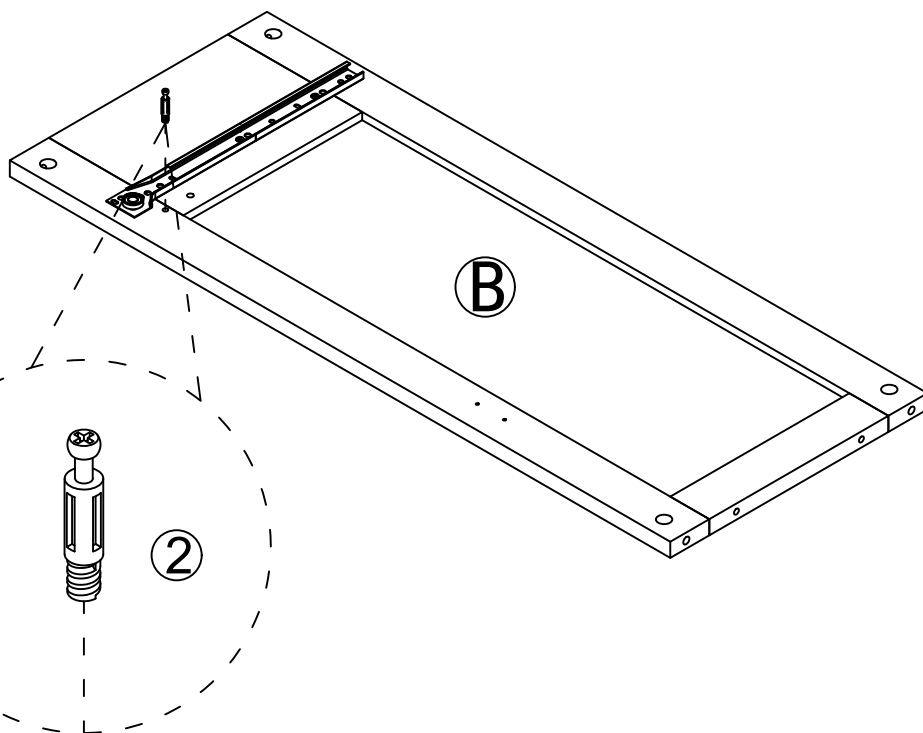
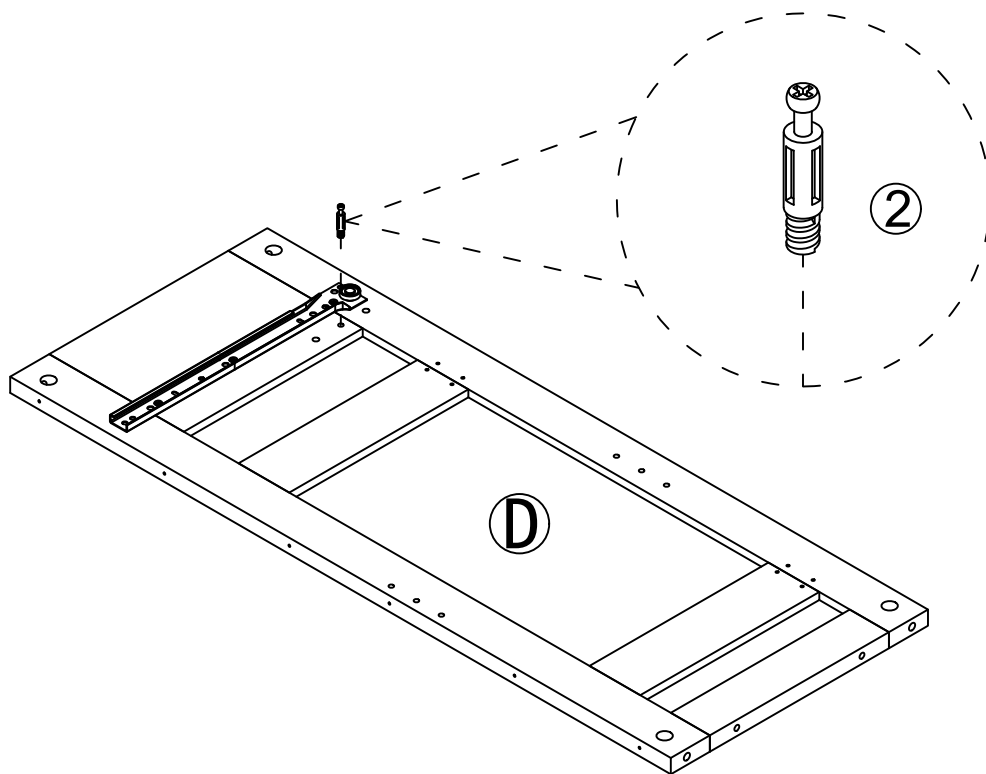
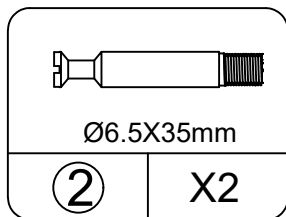
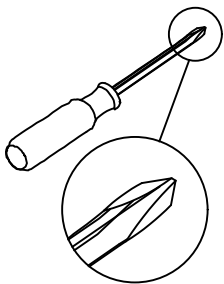
Not actual size



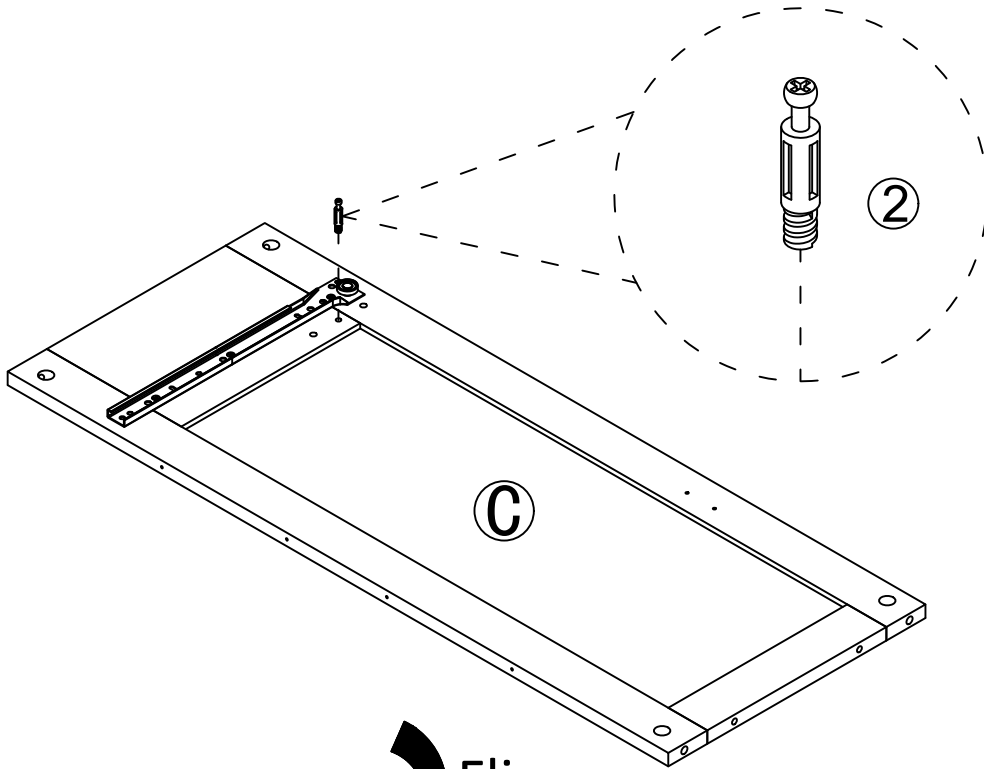
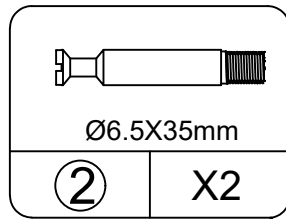
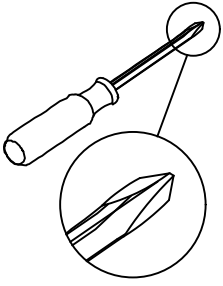




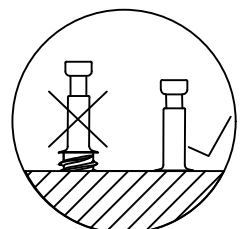
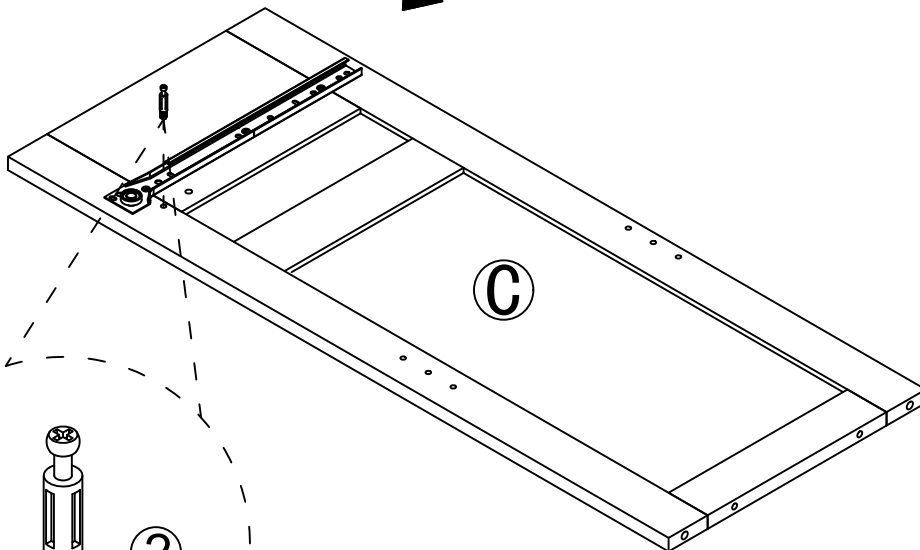
# STEP3



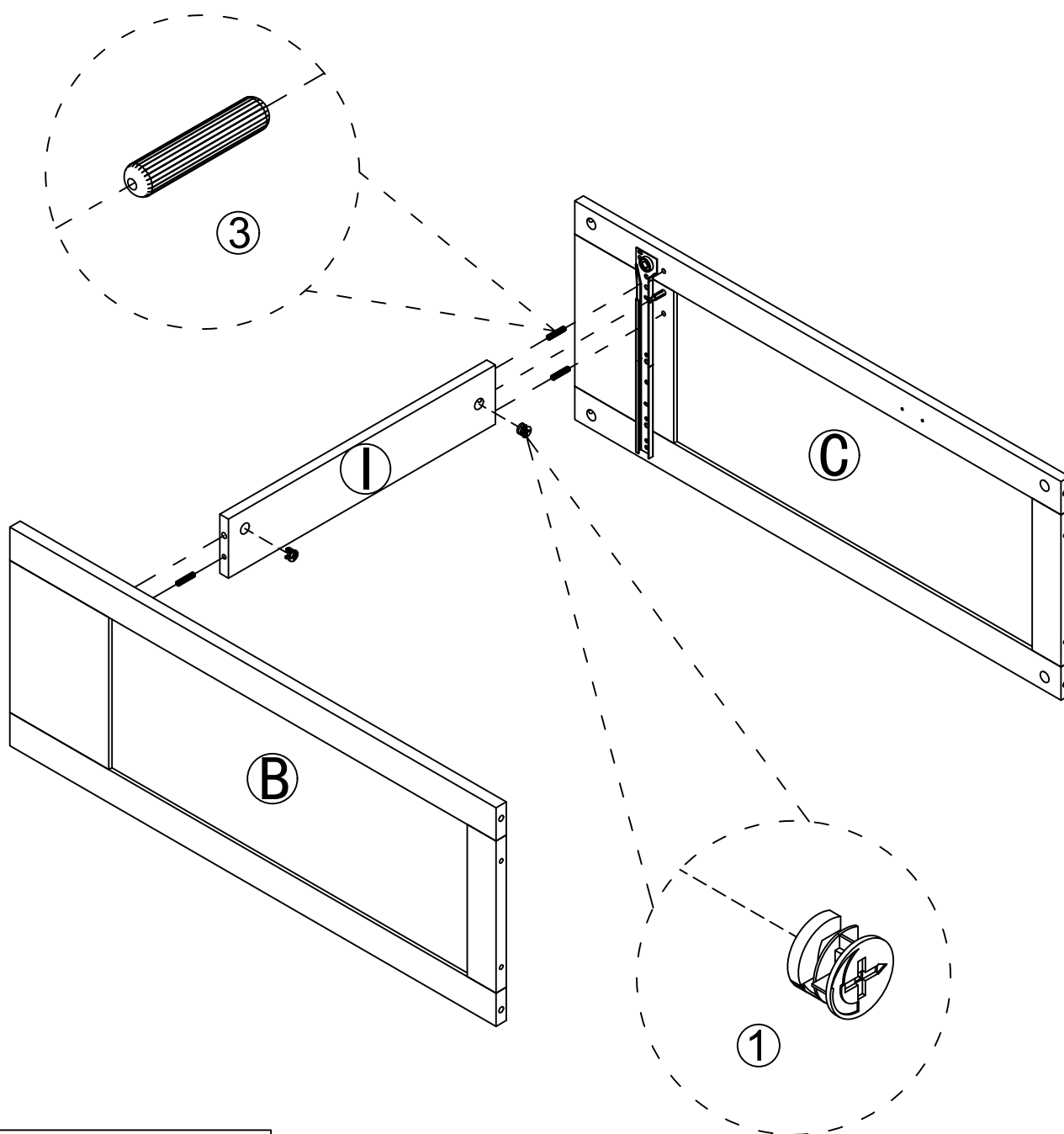
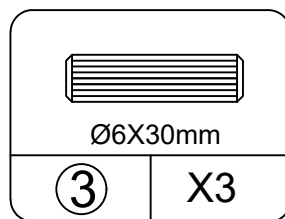
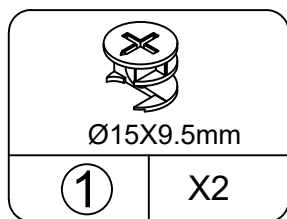
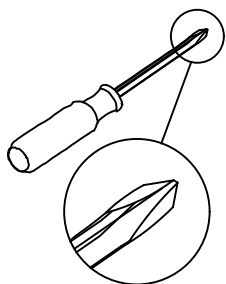
# STEP4



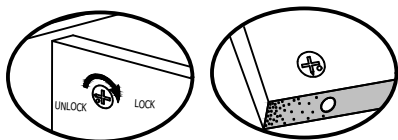
Flip



# STEP5

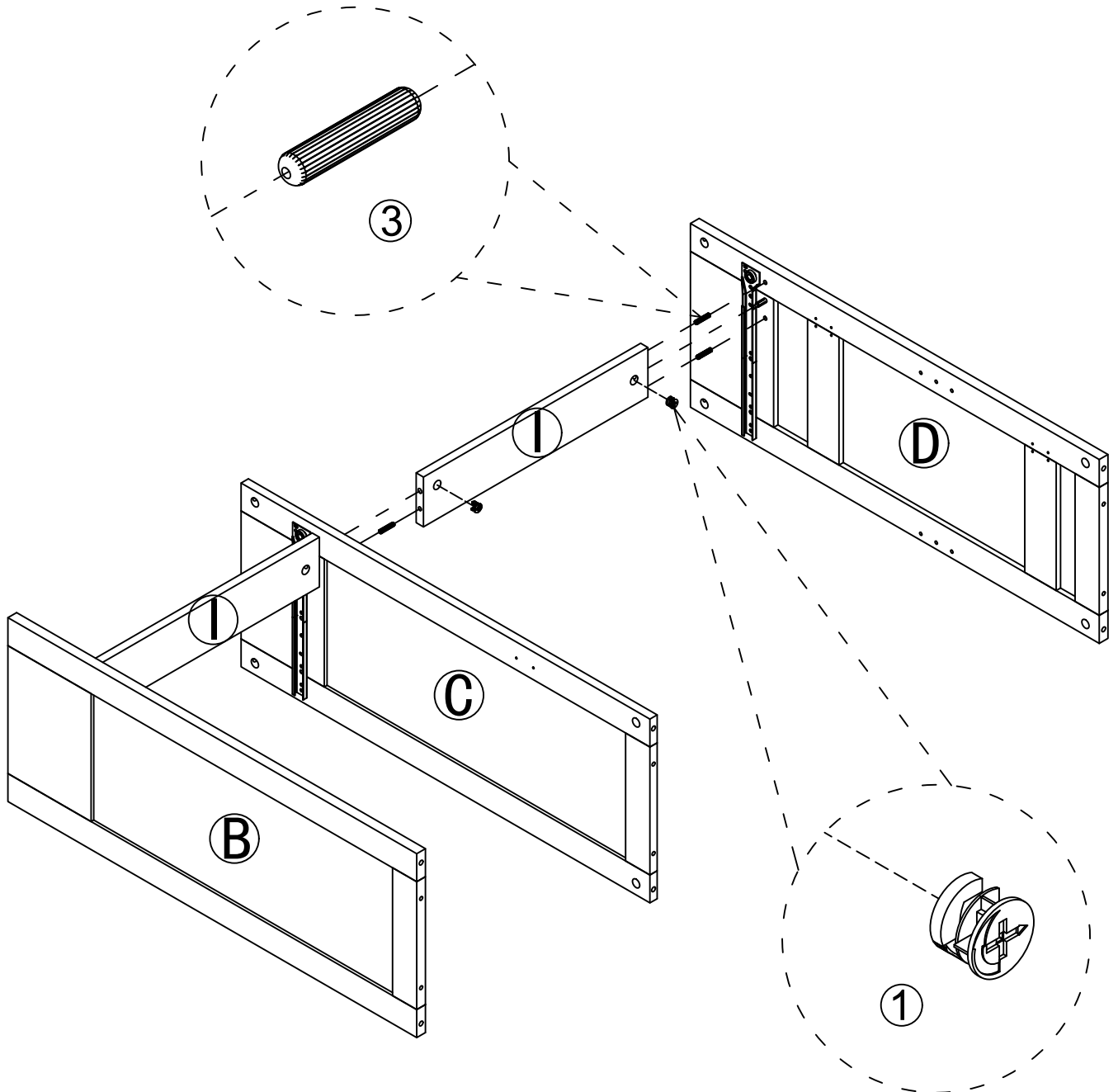
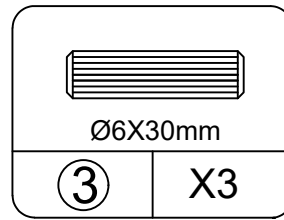
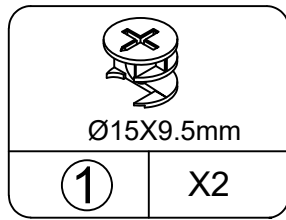
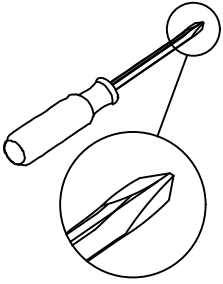


Insert the cam bolt into the hole first, then insert the cam lock and lock it.

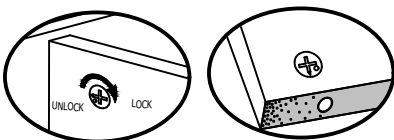


Proper orientation of CAM LOCK

# STEP 6

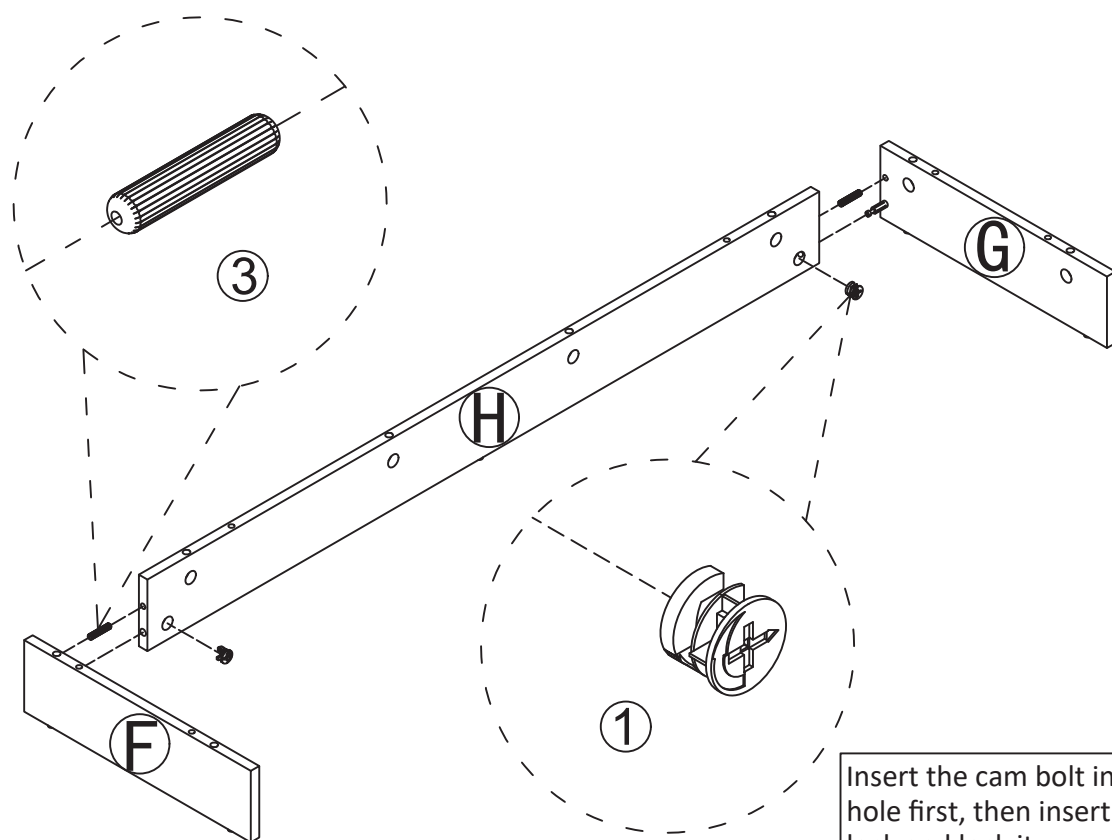
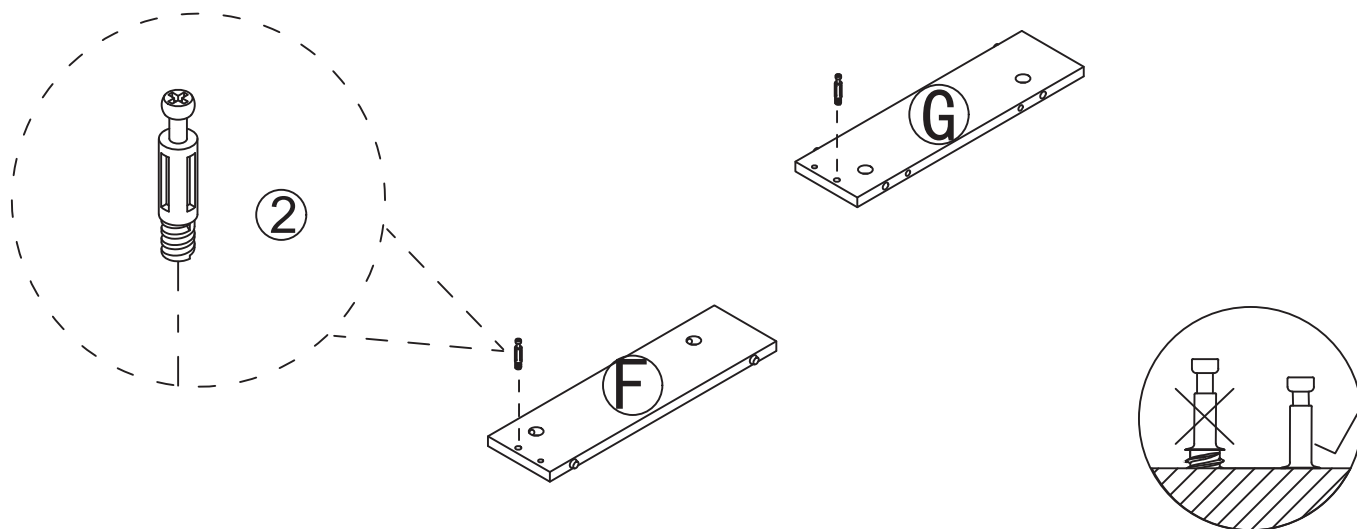
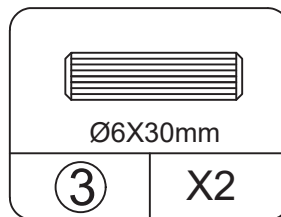
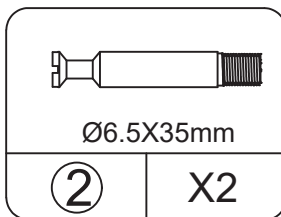
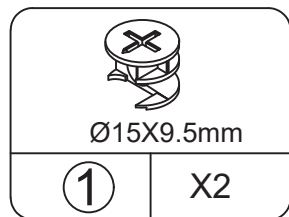
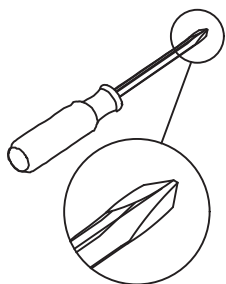


Insert the cam bolt into the hole first, then insert the cam lock and lock it.

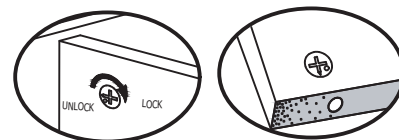


Proper orientation of CAM LOCK

# STEP 7

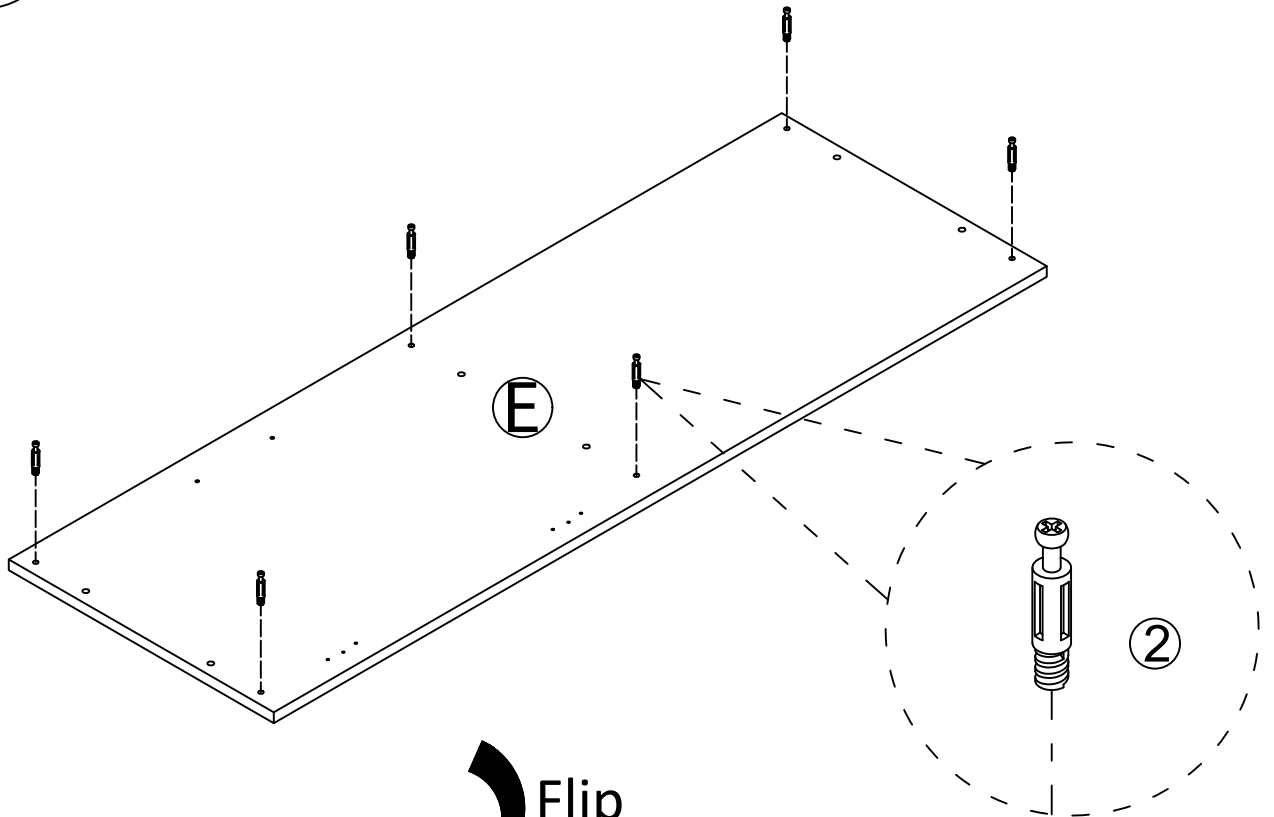
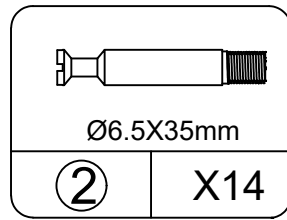
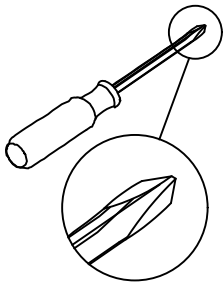


Insert the cam bolt into the hole first, then insert the cam lock and lock it.

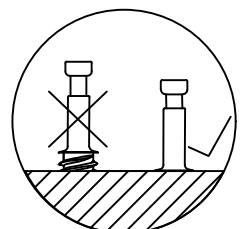
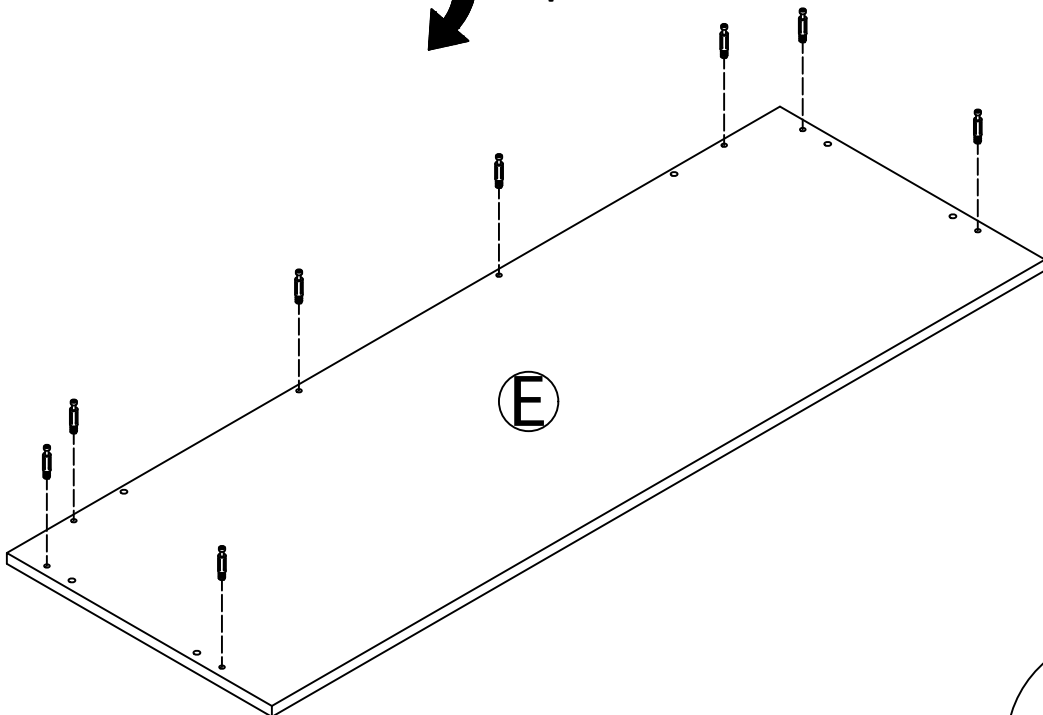


Proper orientation of CAM LOCK

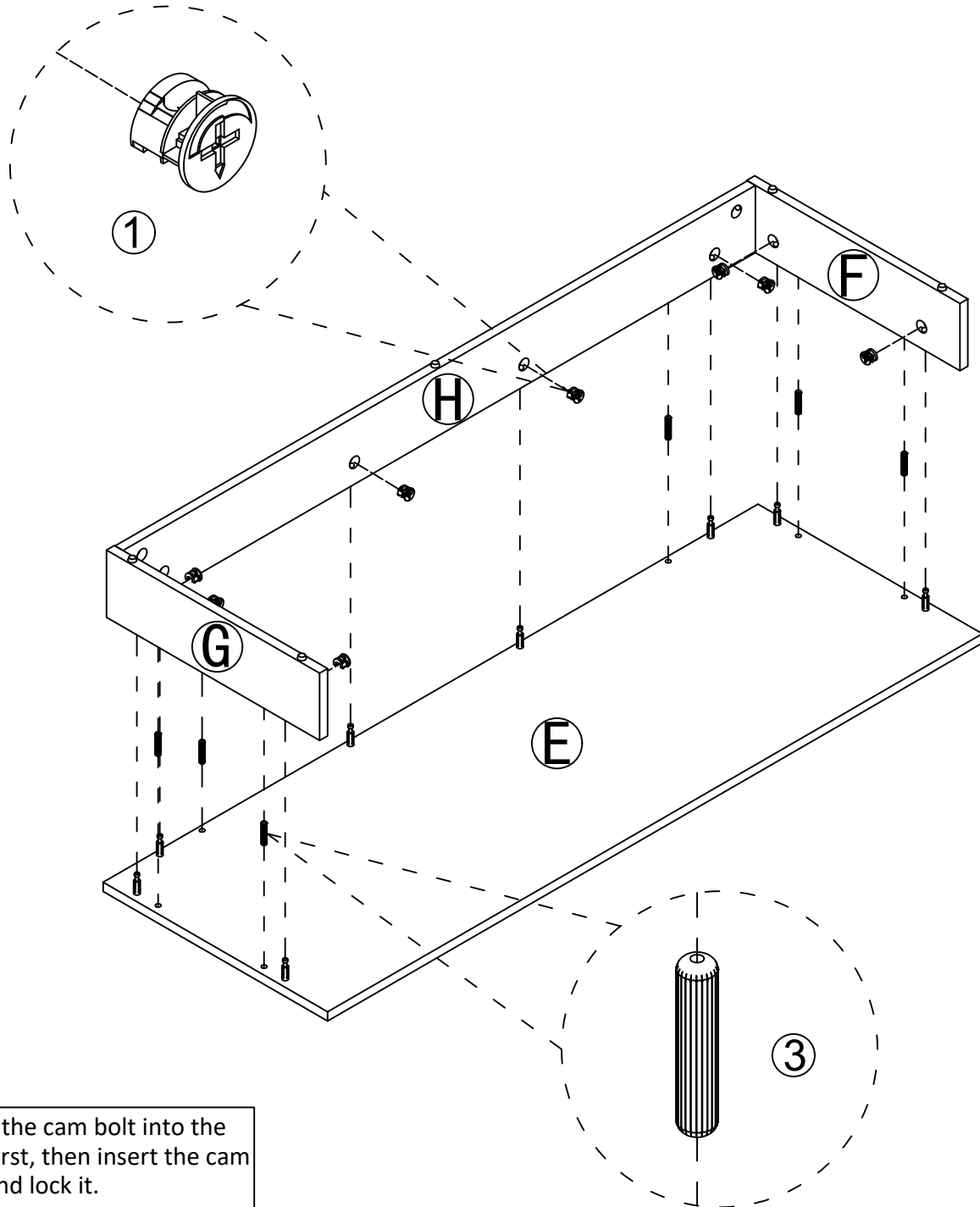
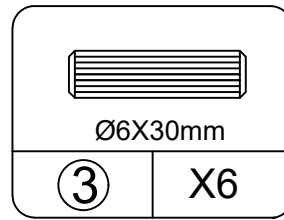
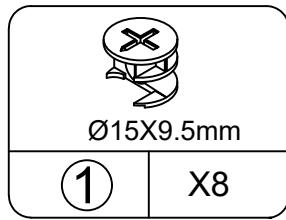
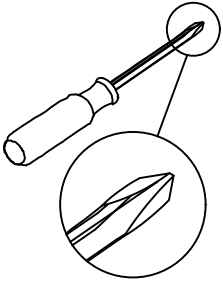
# STEP 8



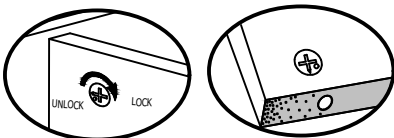
Flip



# STEP9

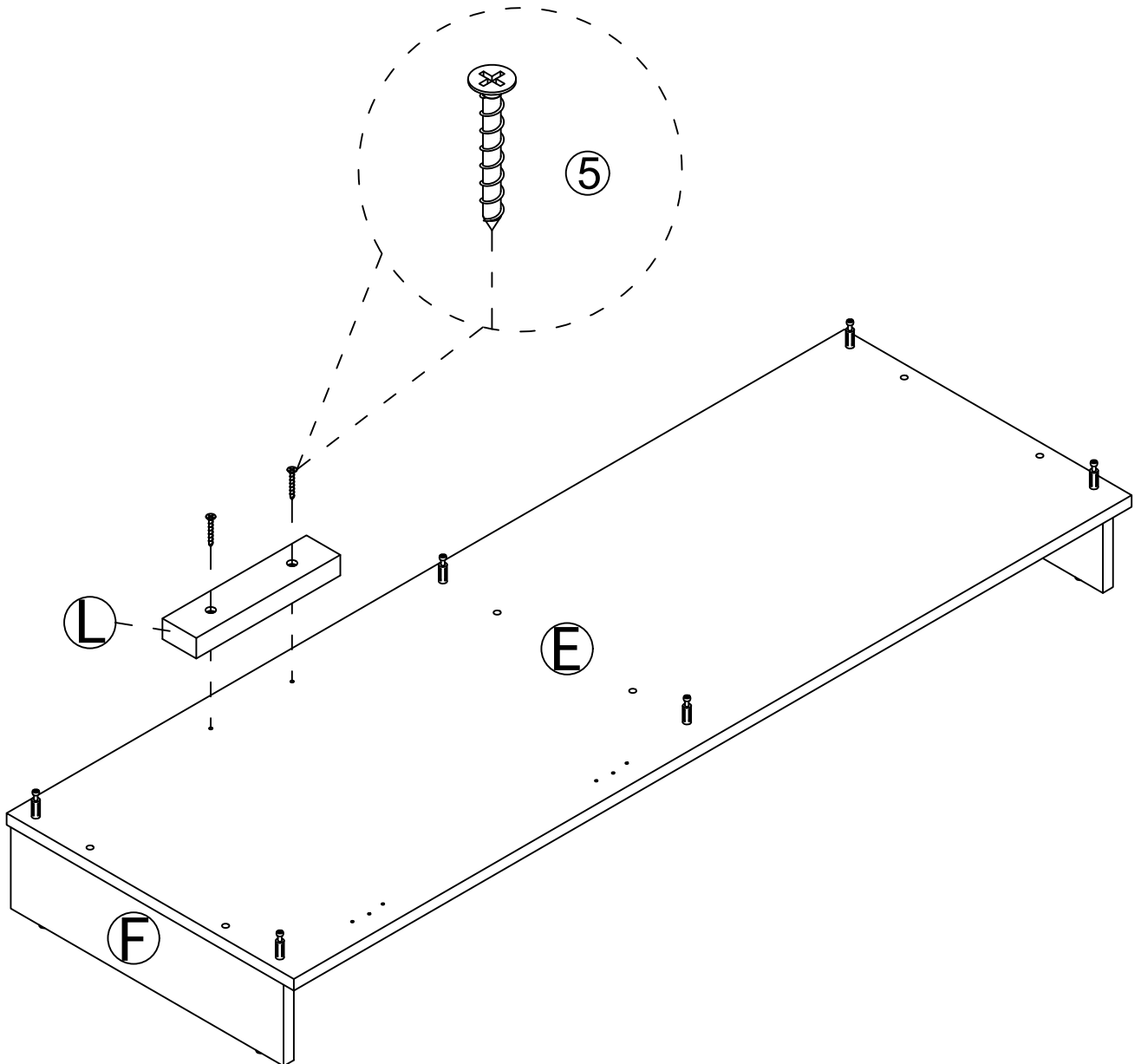
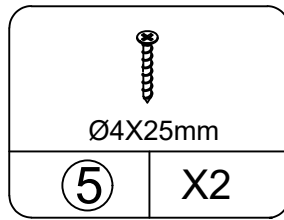
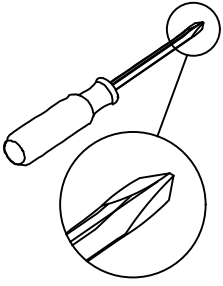


Insert the cam bolt into the hole first, then insert the cam lock and lock it.

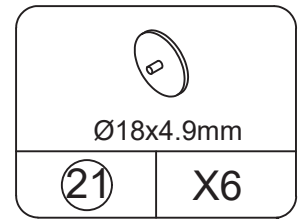
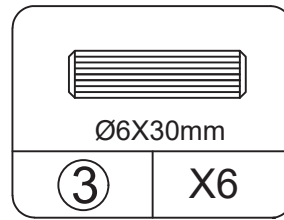
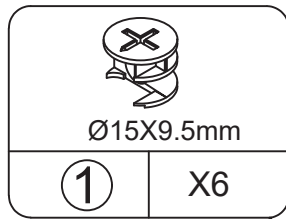
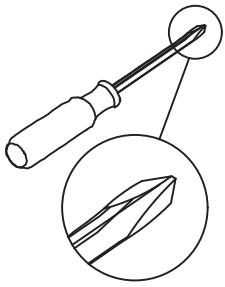


Proper orientation of CAM LOCK

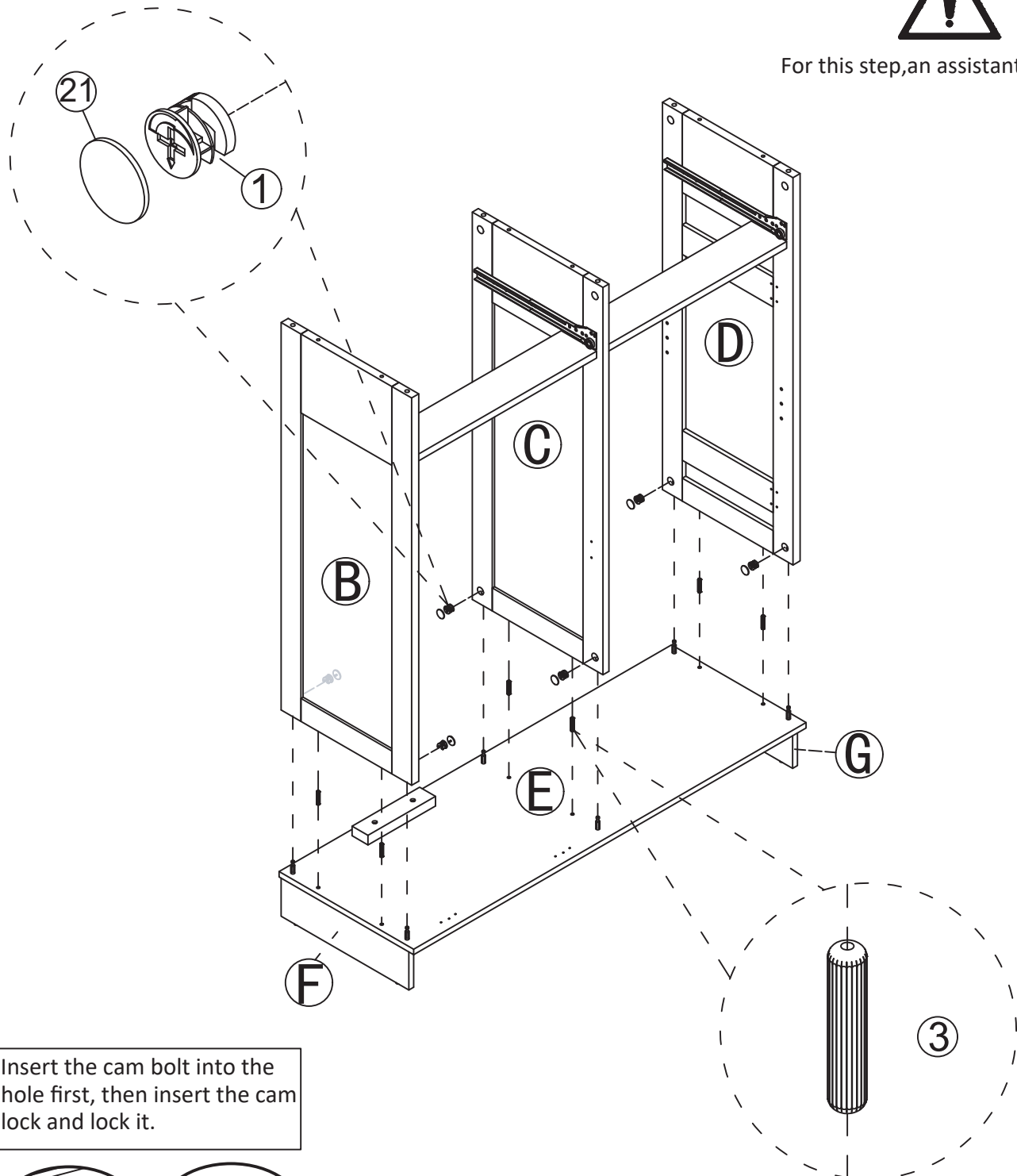
# STEP 10



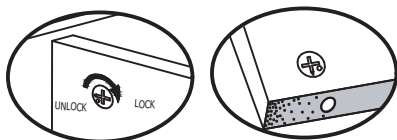
# STEP 11



For this step, an assistant is required

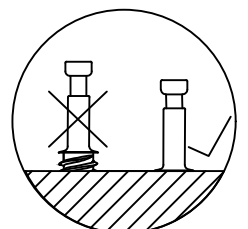
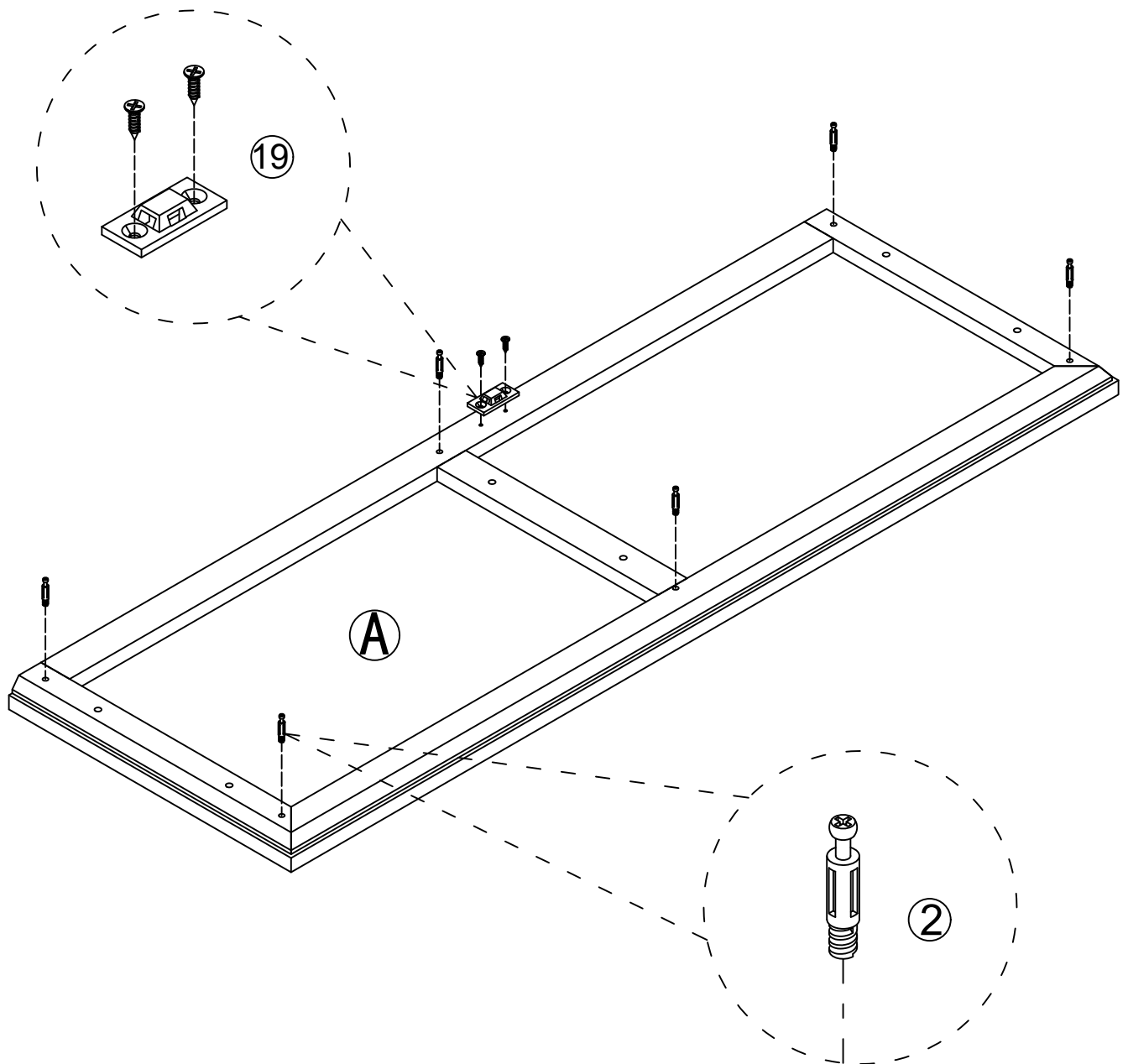
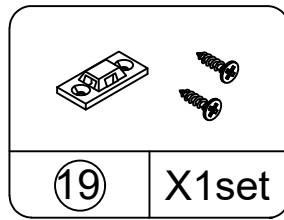
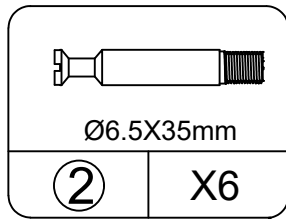
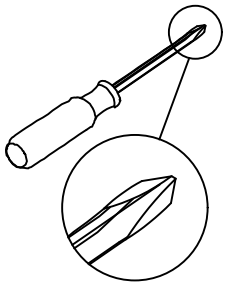


Insert the cam bolt into the hole first, then insert the cam lock and lock it.

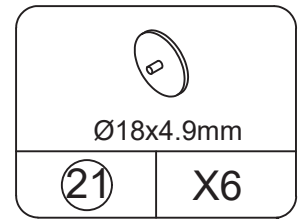
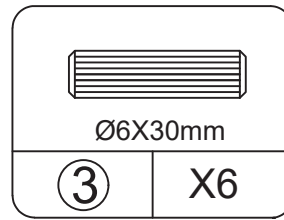
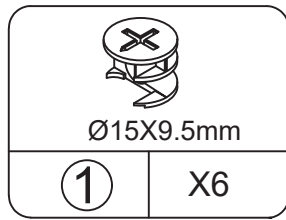
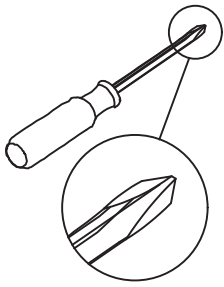


Proper orientation of CAM LOCK

# STEP 12

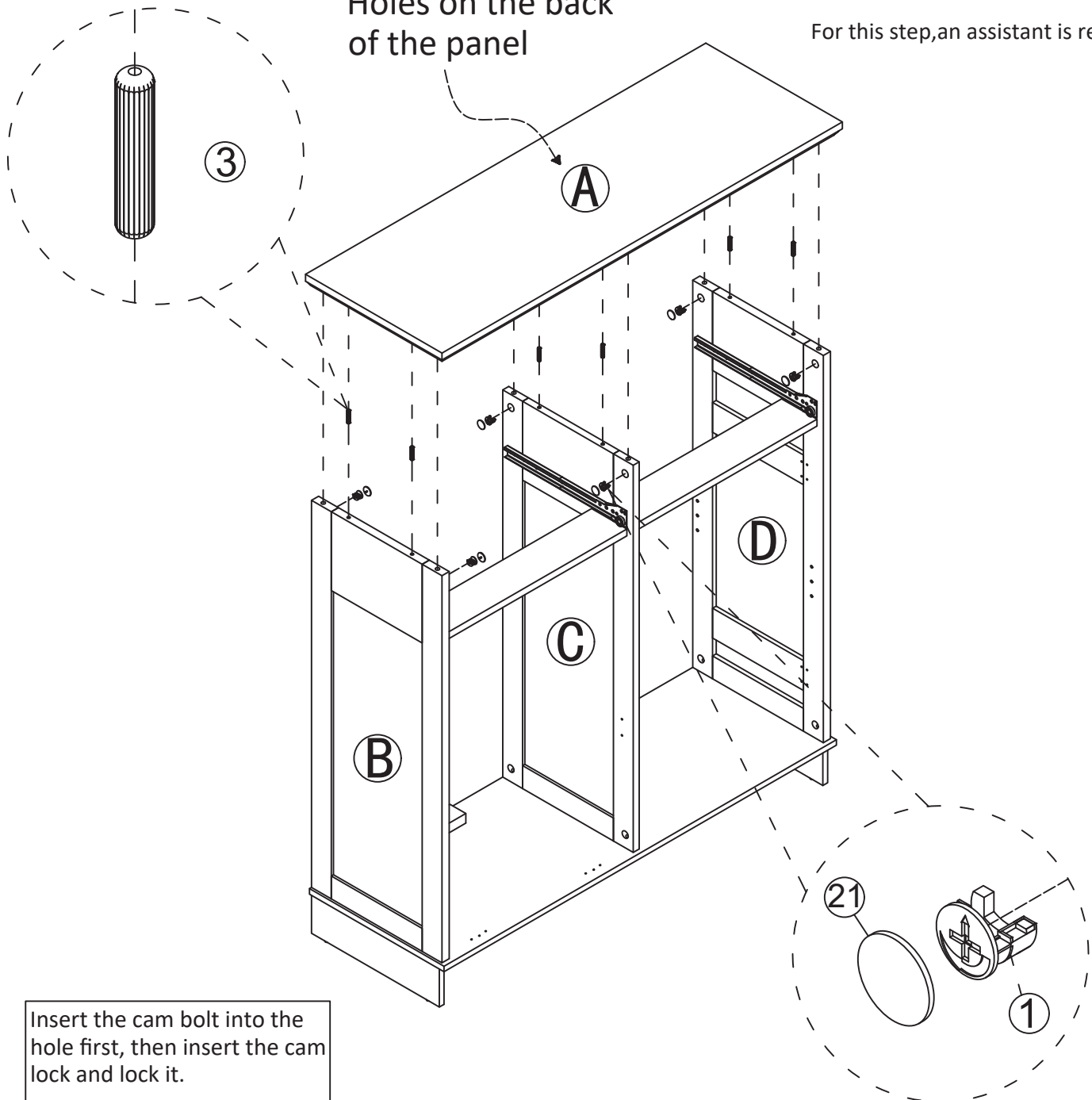


# STEP 13

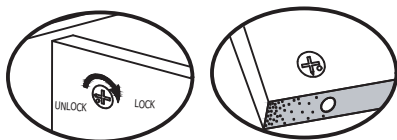


Holes on the back of the panel

For this step, an assistant is required

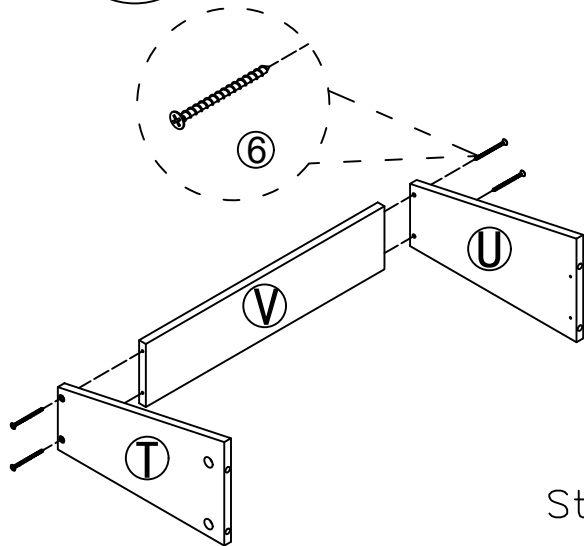
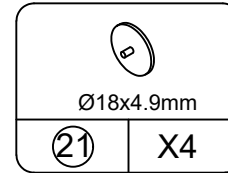
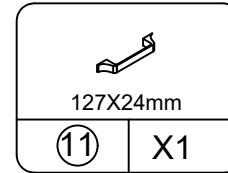
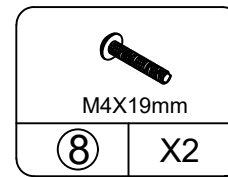
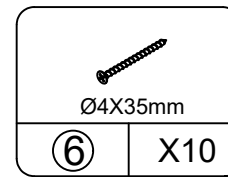
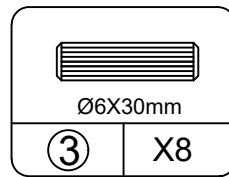
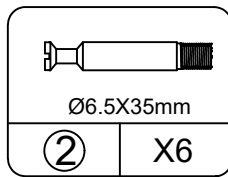
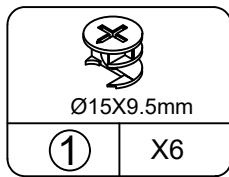
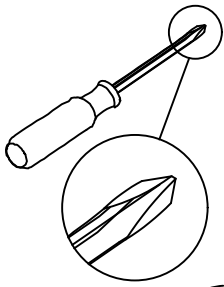


Insert the cam bolt into the hole first, then insert the cam lock and lock it.

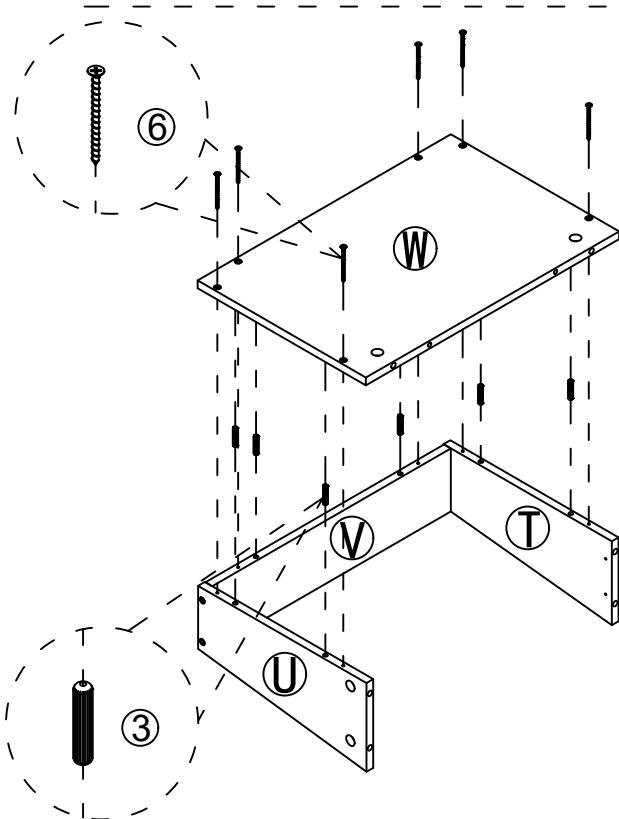
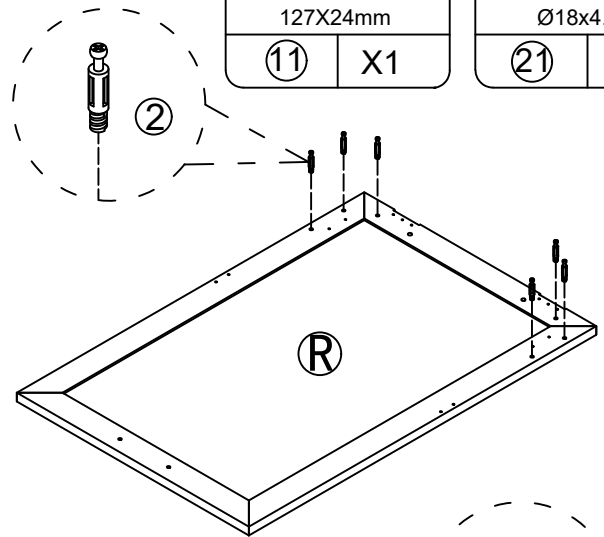


Proper orientation of CAM LOCK

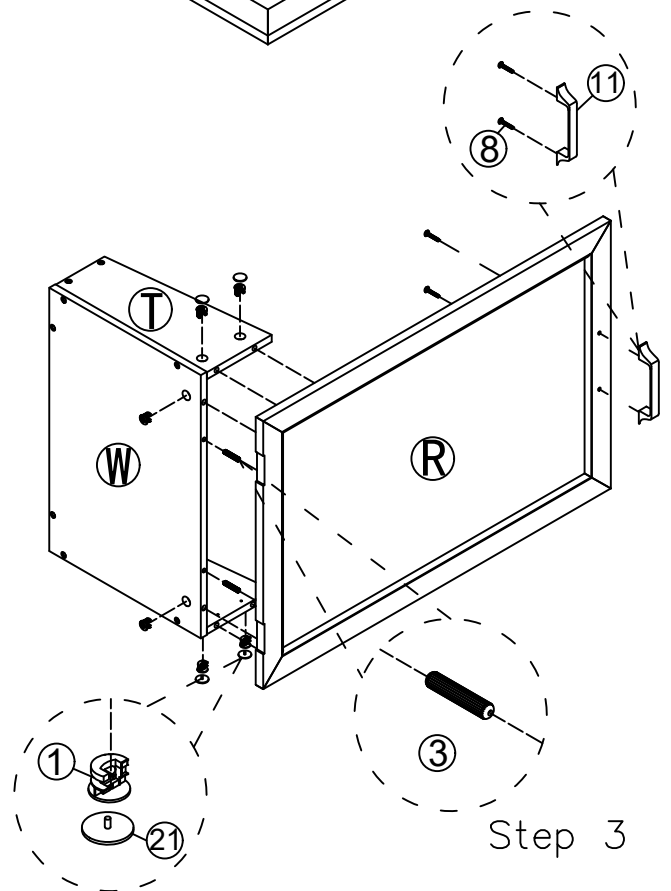
# STEP 14



Step 1

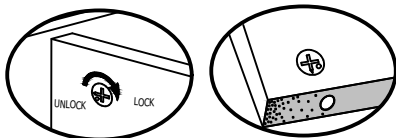


Step 2

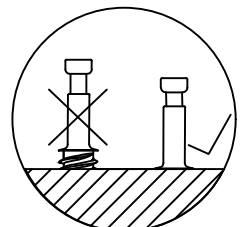


Step 3

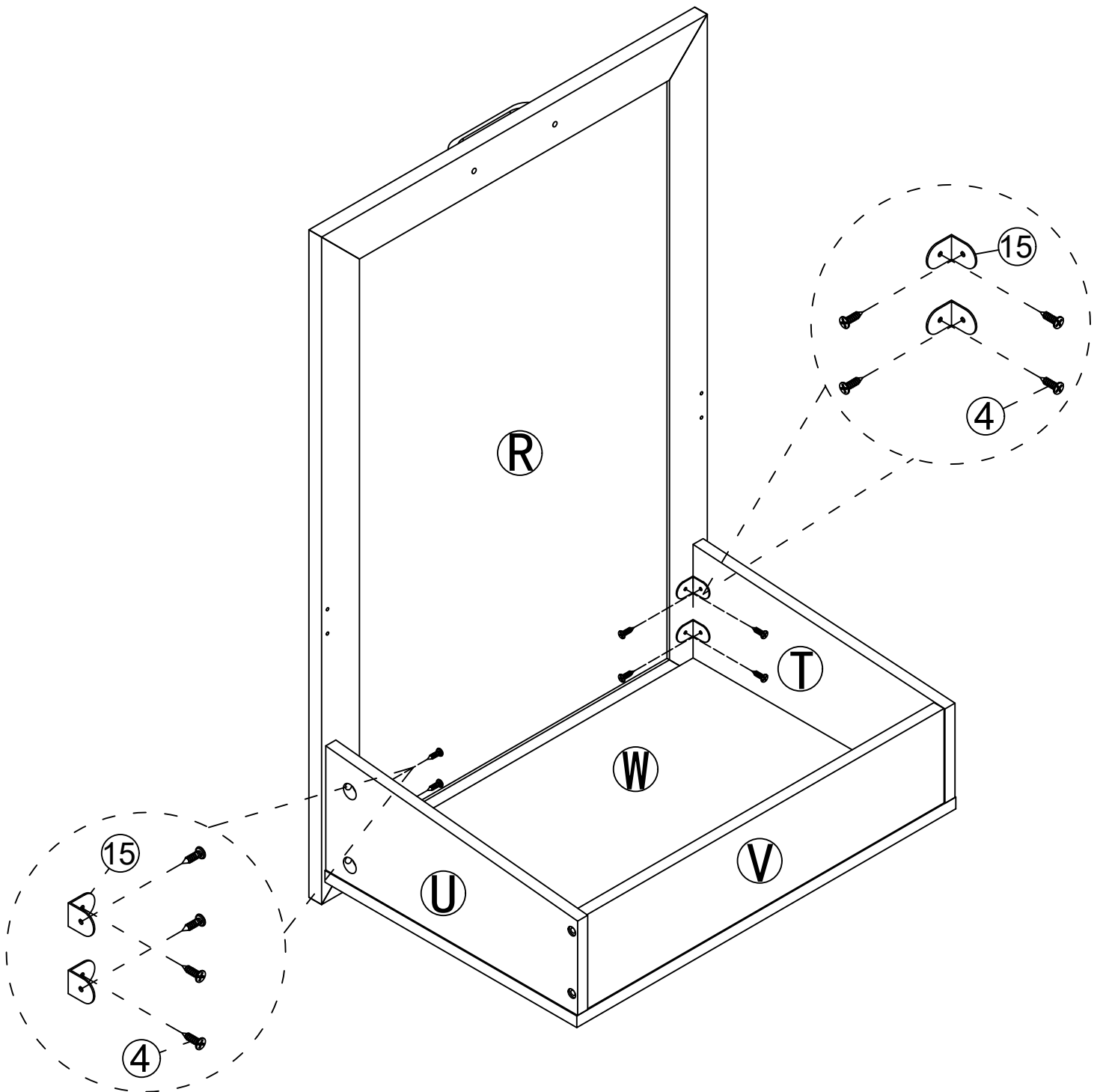
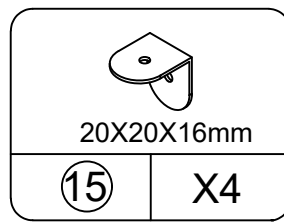
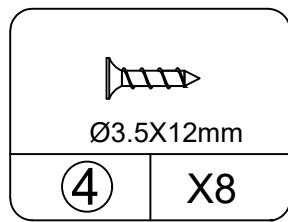
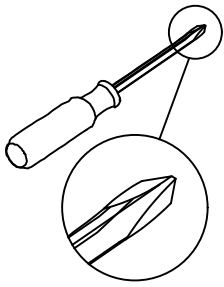
Insert the cam bolt into the hole first, then insert the cam lock and lock it.



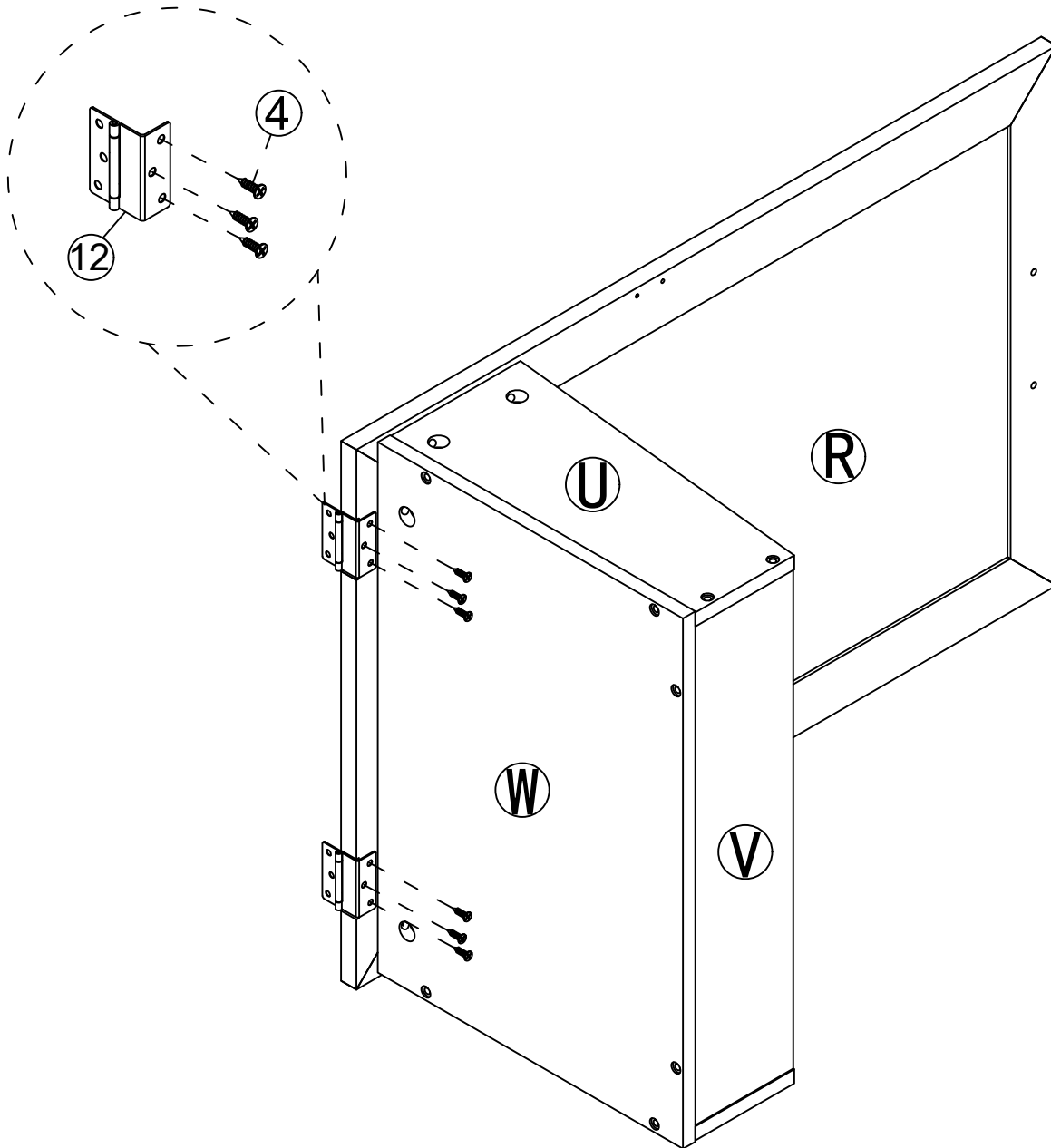
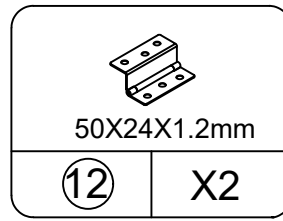
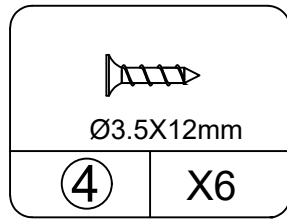
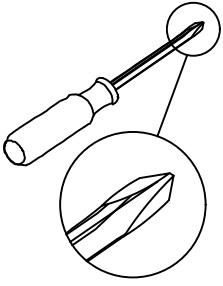
Proper orientation of CAM LOCK



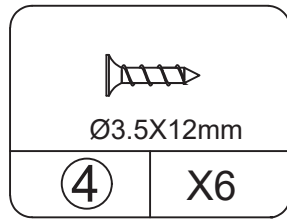
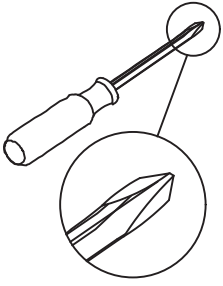
# STEP 15



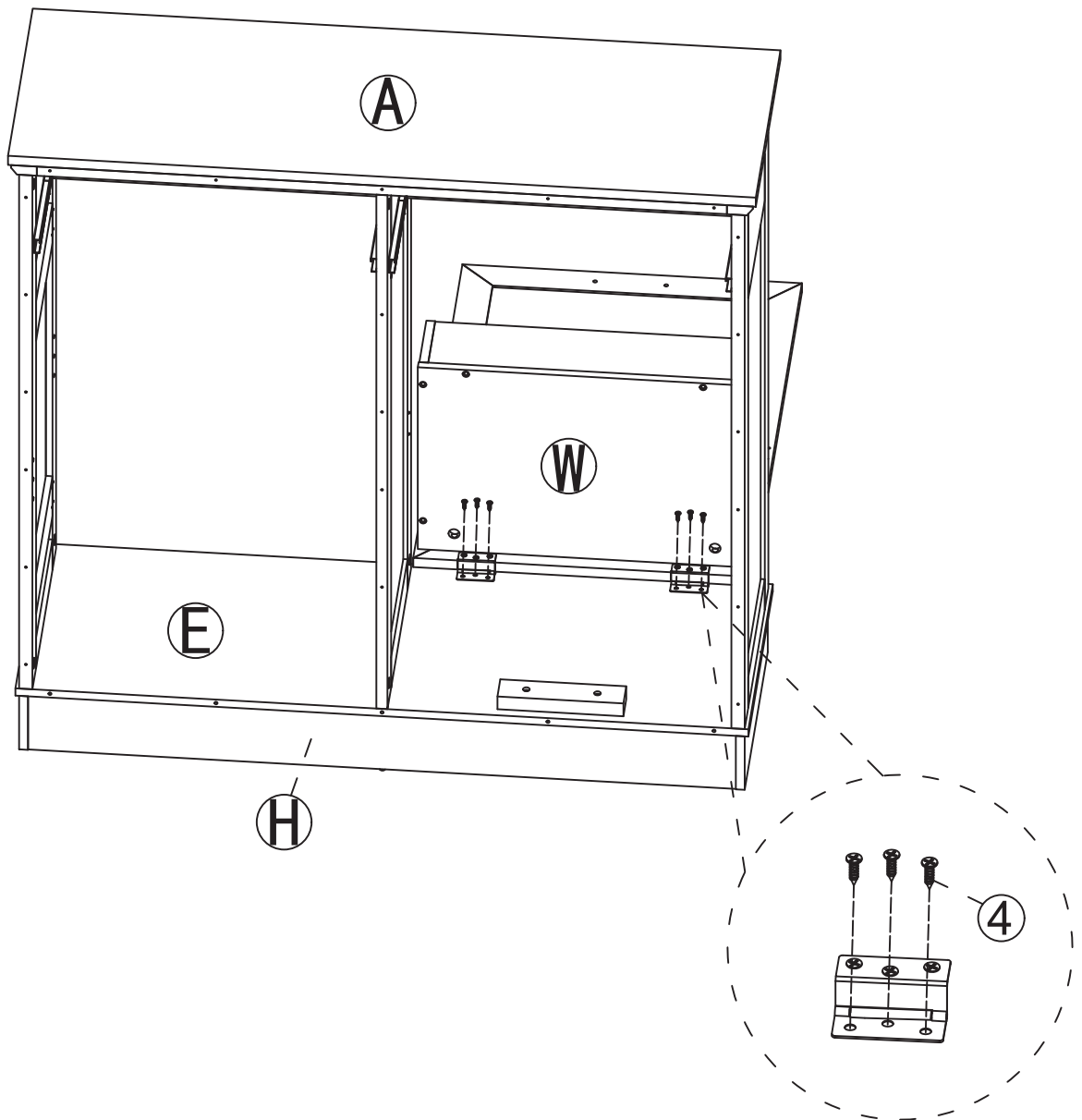
# STEP 16



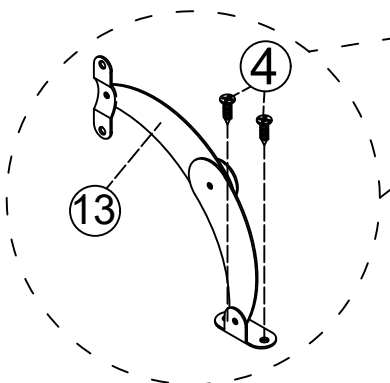
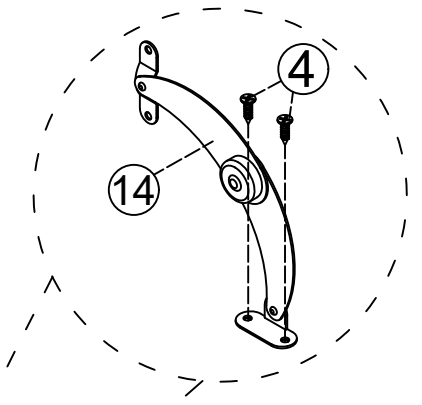
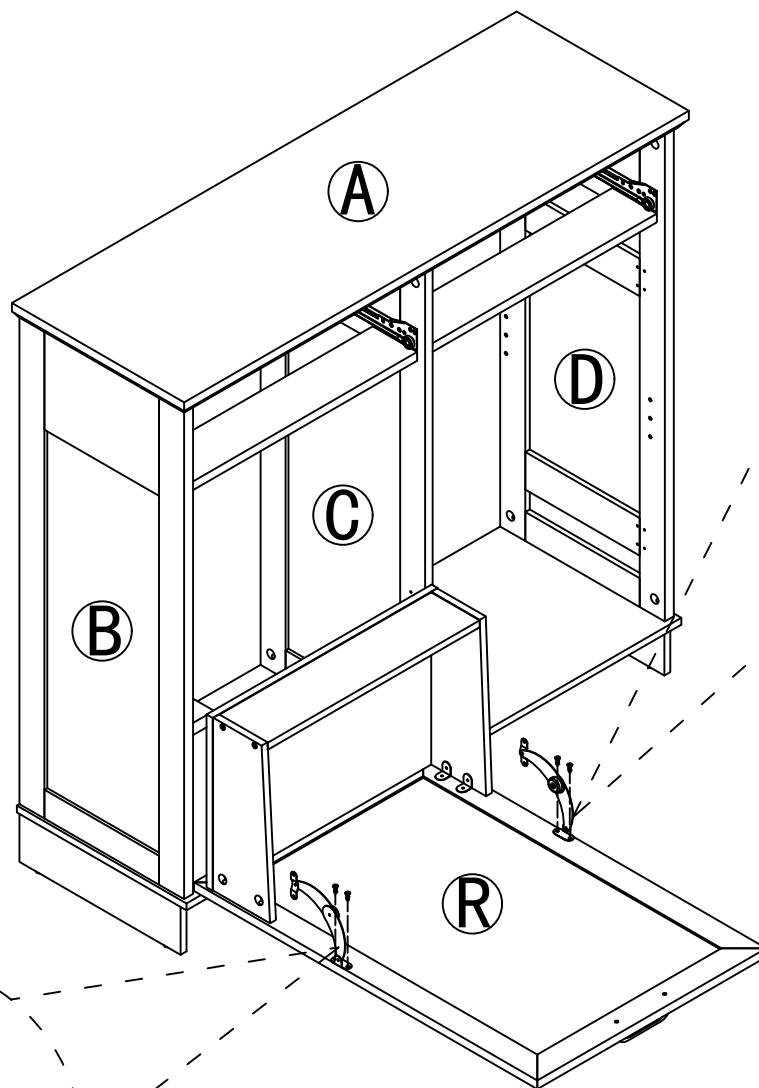
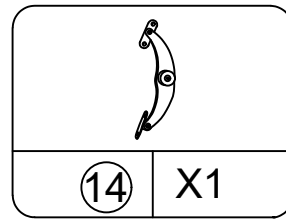
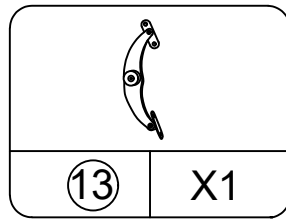
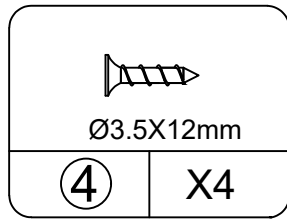
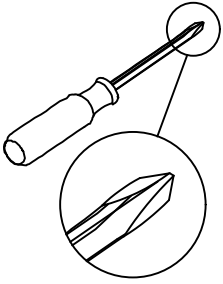
# STEP17



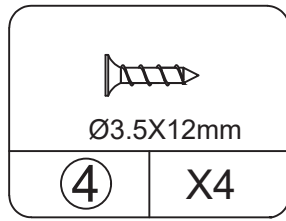
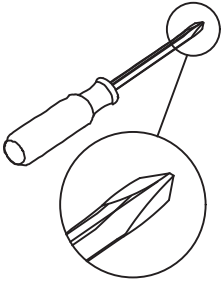
For this step, an assistant is required



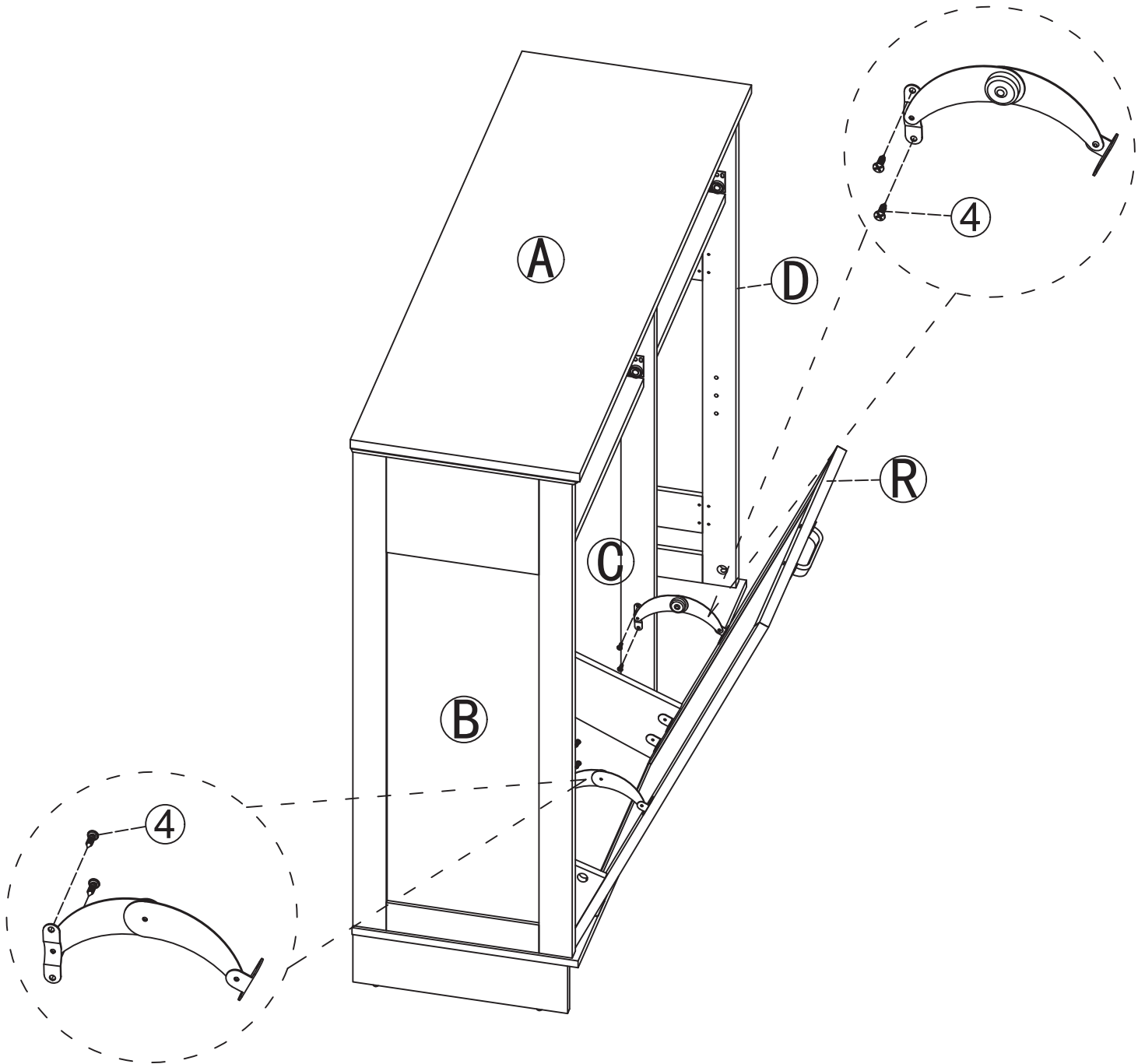
# STEP 18



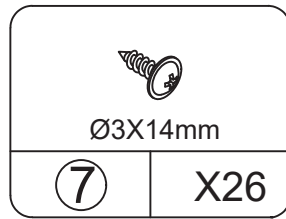
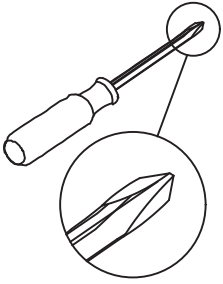
# STEP 19



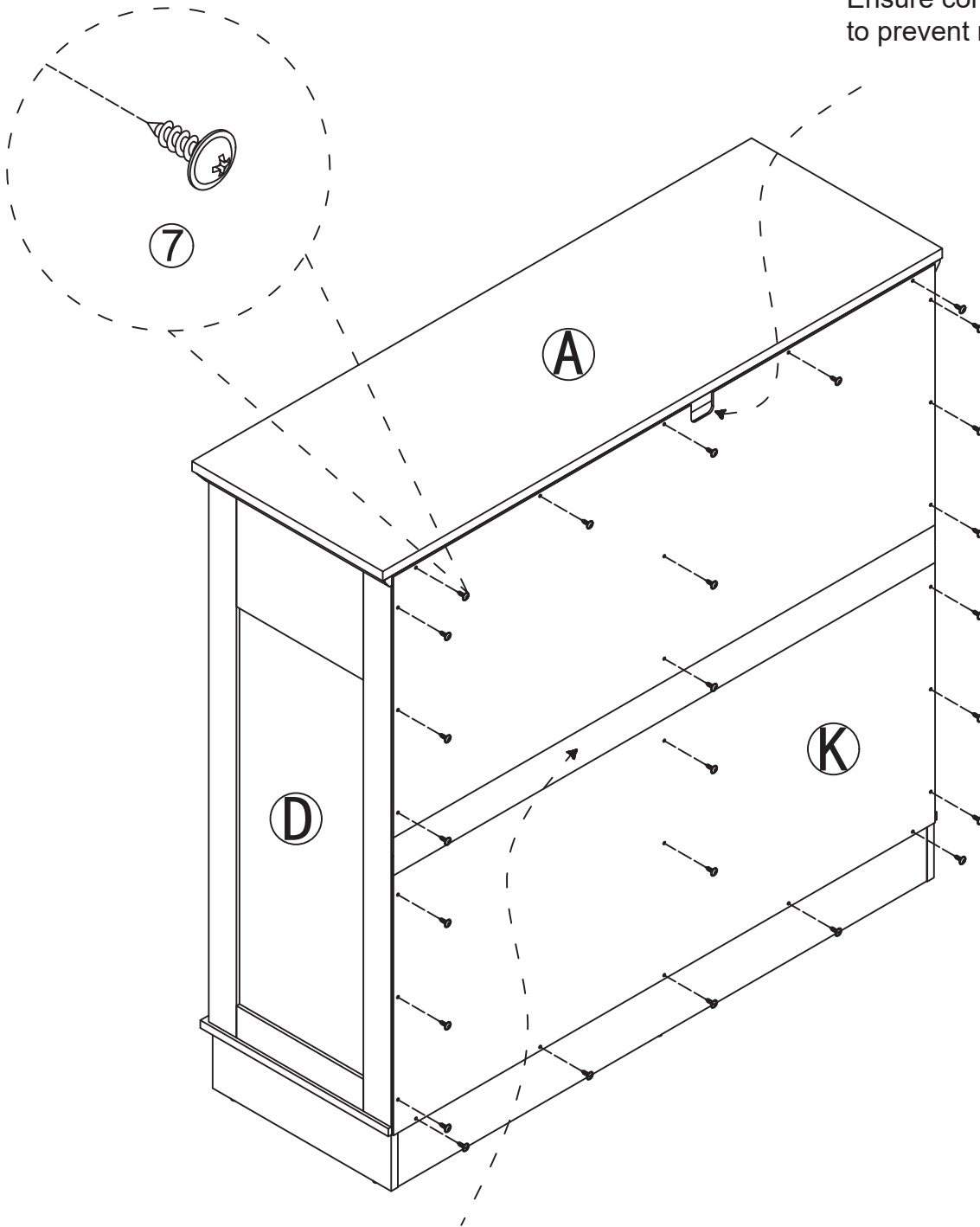
For this step, an assistant is required



# STEP20

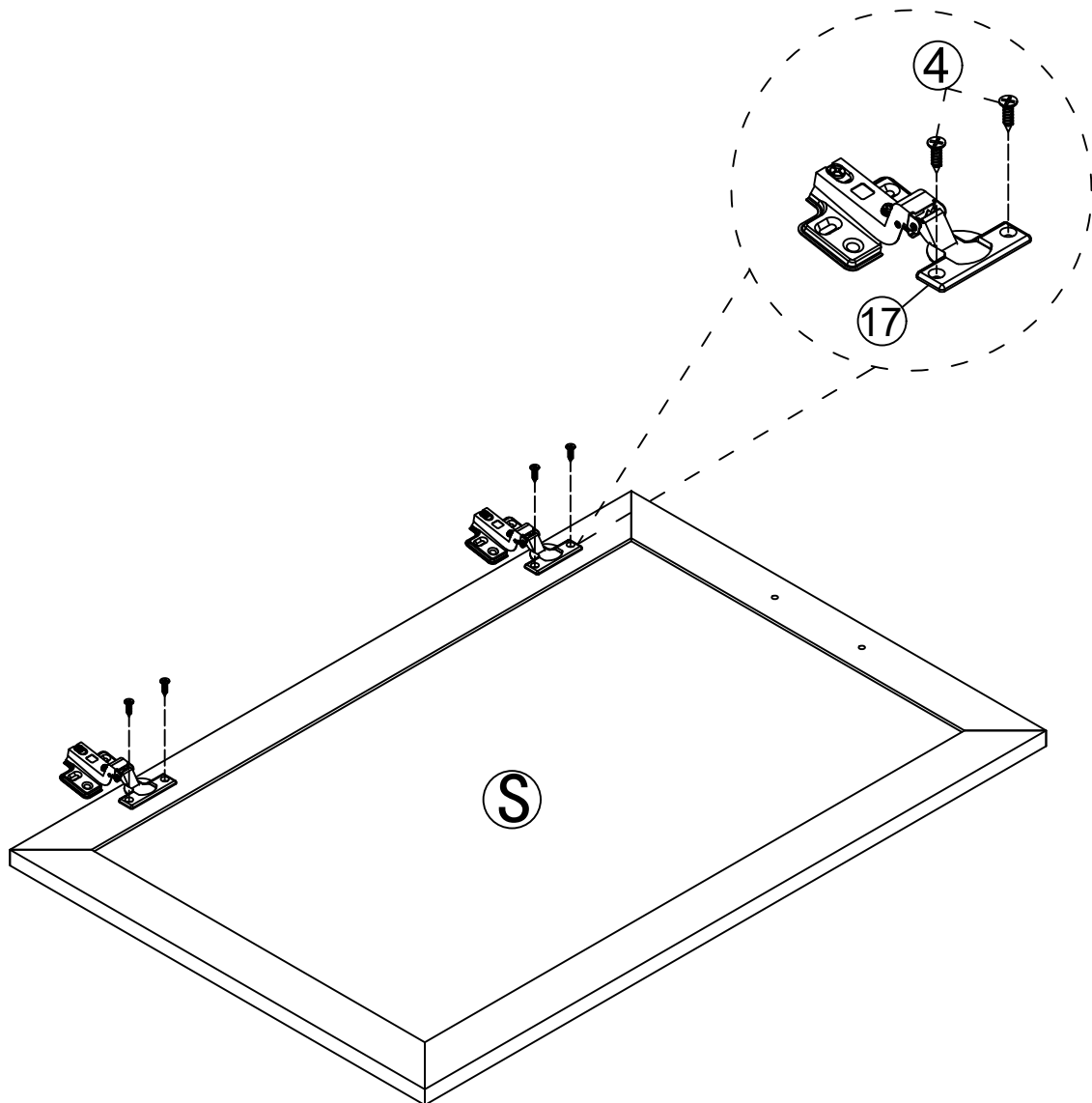
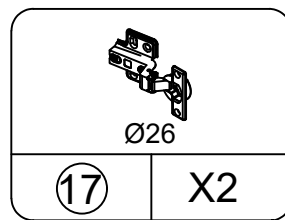
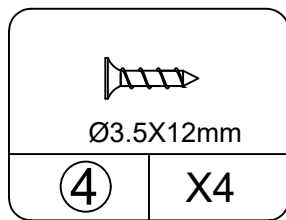
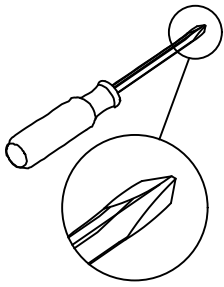


**CAUTION:** This panel has a notch at the top-right corner. Ensure correct orientation to prevent malfunction.

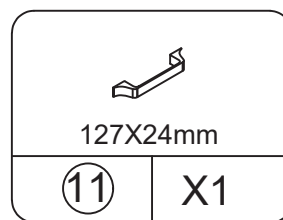
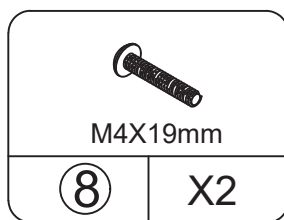
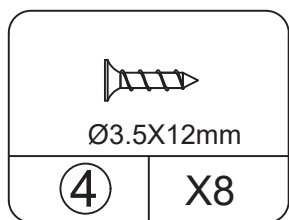
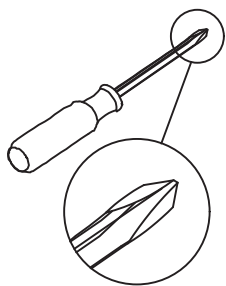


Tape the duct tape

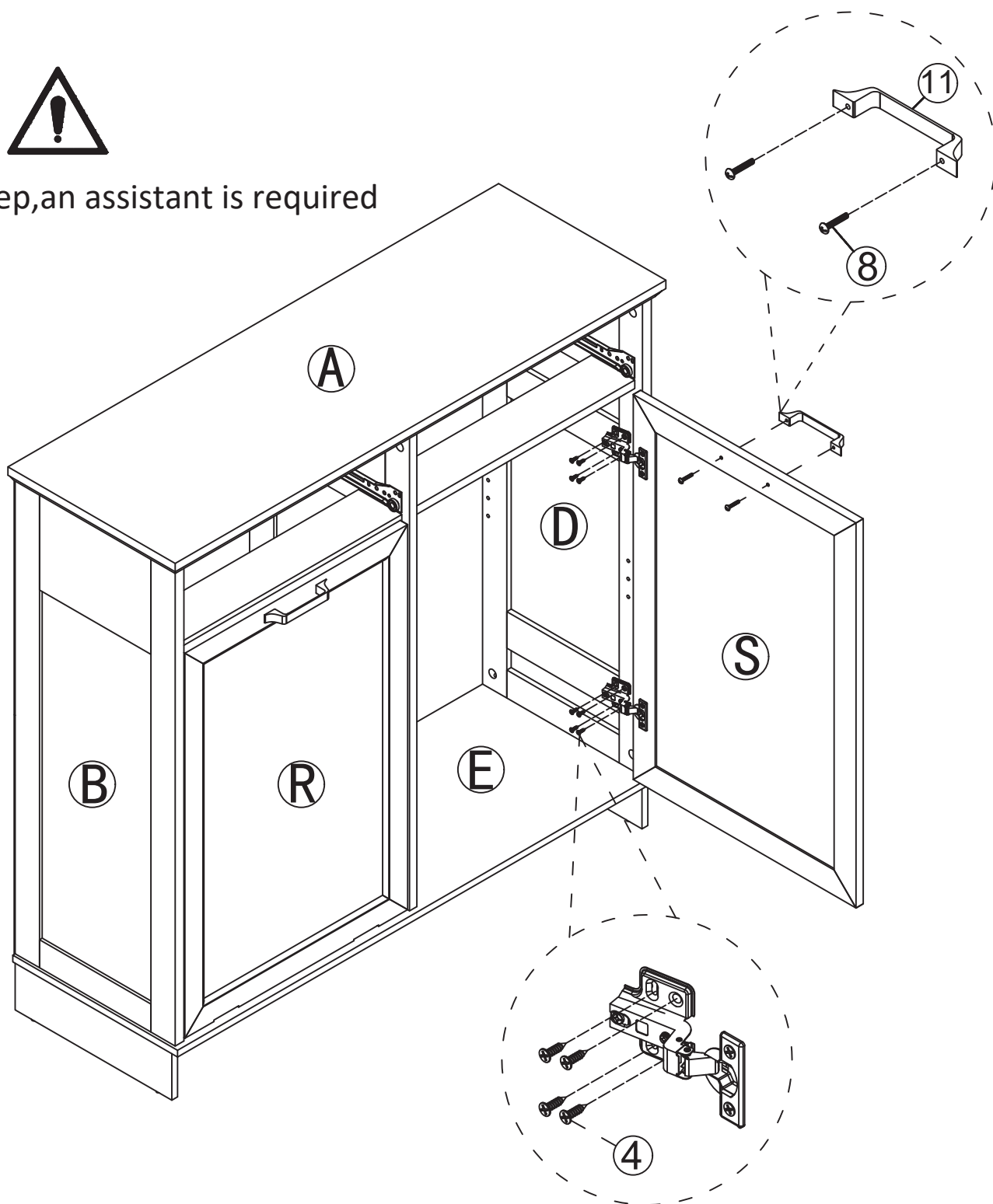
# STEP21



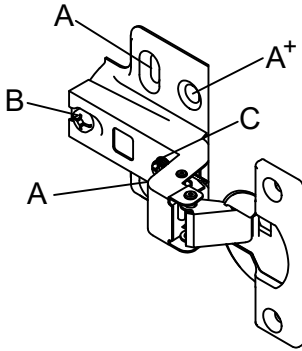
# STEP22



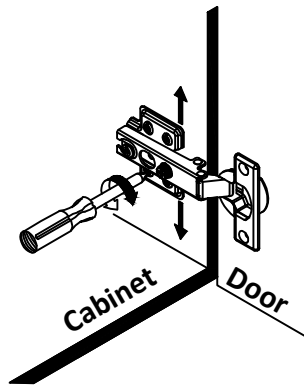
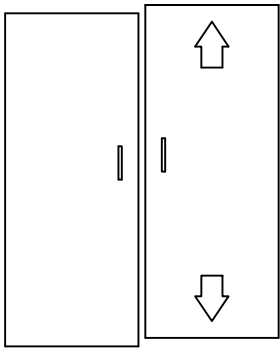
For this step, an assistant is required



# STEP23

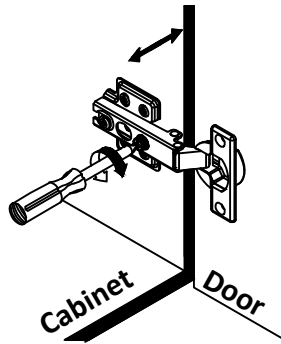
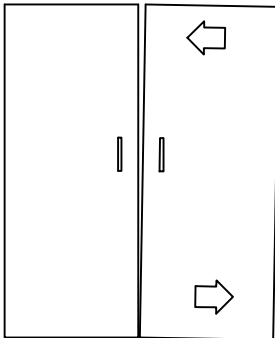


**NOTE:** If you encounter a gap or difficulty closing the door after installation, please email us at [SERVICENOW.GDC@GMAIL.COM](mailto:SERVICENOW.GDC@GMAIL.COM)  
We offer helpful videos.



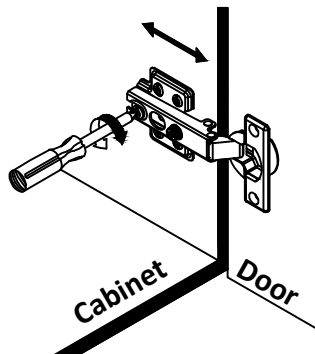
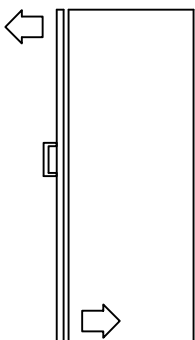
[ How to adjust vertical height of the door ]

- First remove the 2 screws "A+" on the hinge.
- Then loosen the 2 screws "A" on the hinge so that it can be adjusted up or down a few millimeters.
- Then tighten "A" and reinstall "A+".



[ How to adjust the level of the door ]

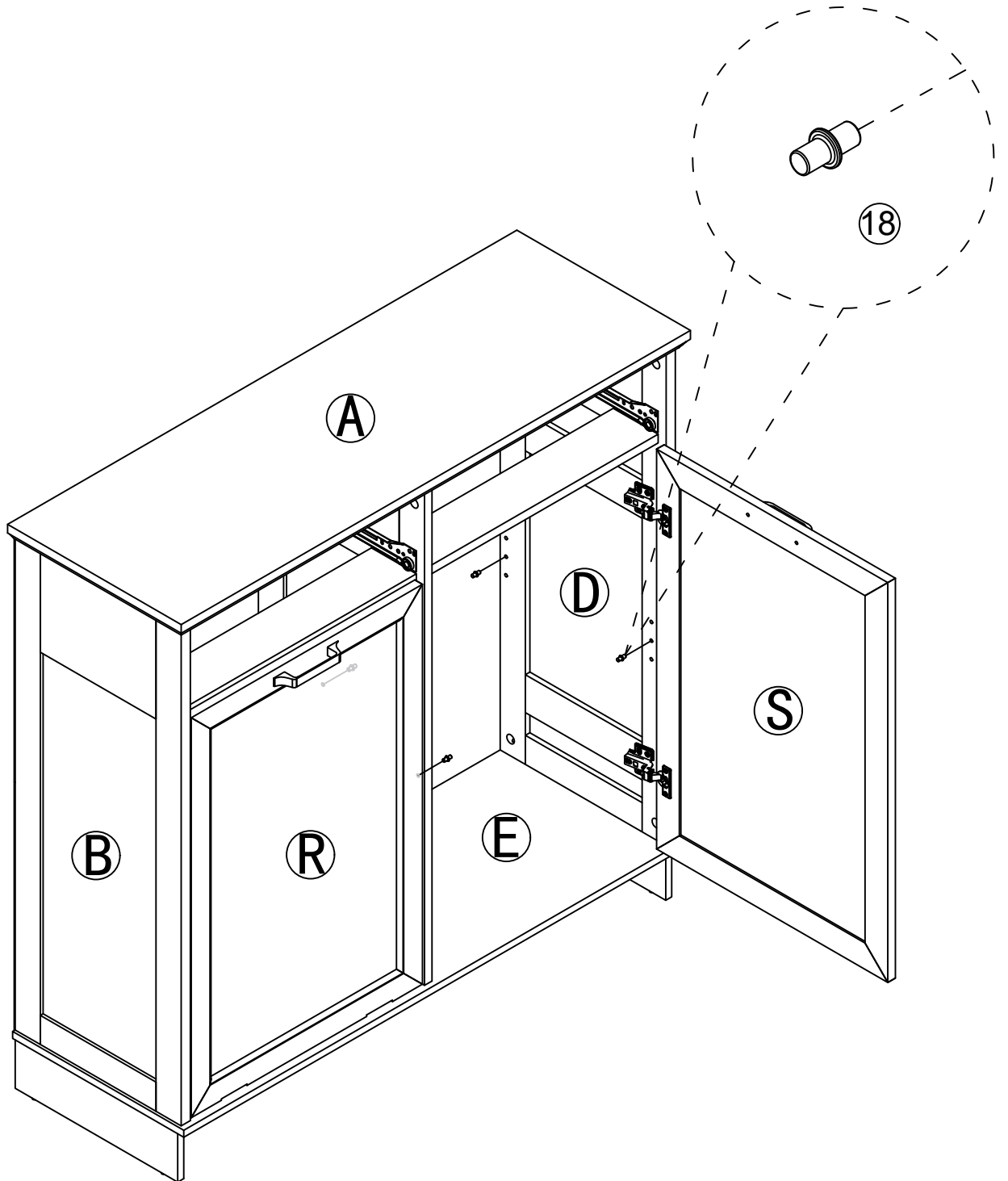
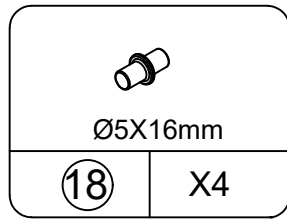
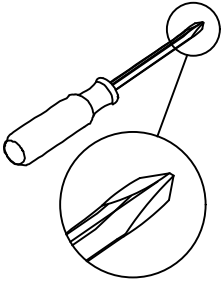
- Turn screw "C" on hinge to adjust the level of the door.



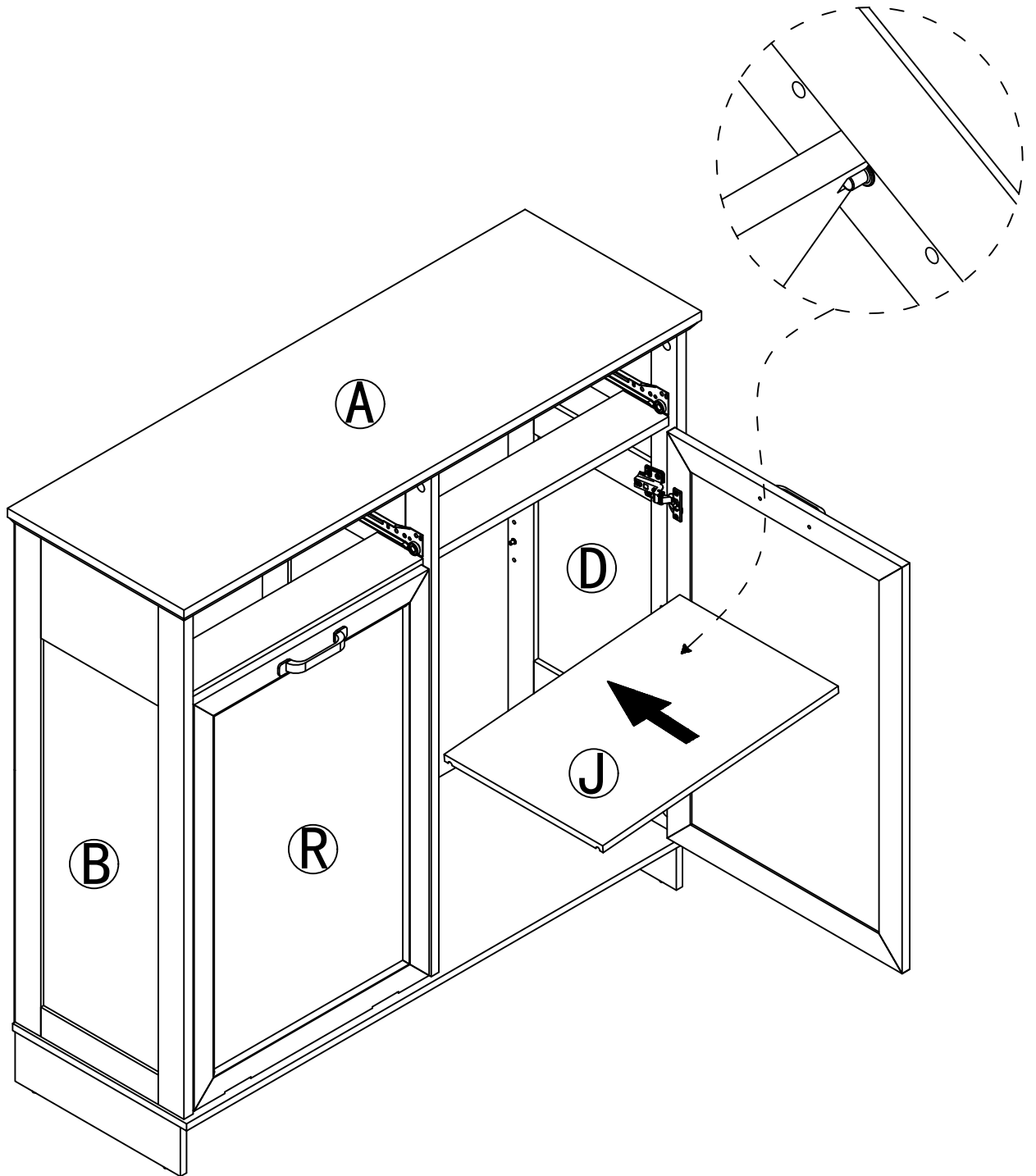
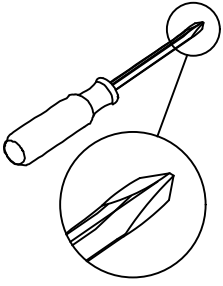
[ How to adjust depth of the door ]

- Loosen screw "B" and adjust the depth of the door.
- If screw "B" is loose, the depth of the door still cannot be adjusted. Simply loosen the screw "C" slightly to adjust the position of the door forward and backward.
- After adjusting the position, tighten screw "B" last.

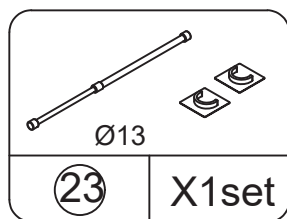
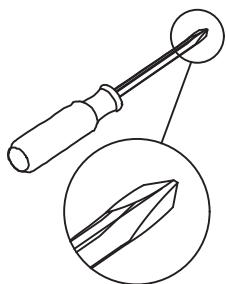
# STEP24



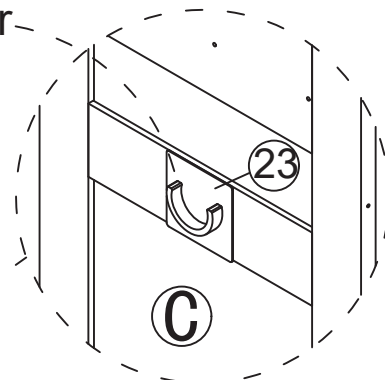
# STEP 25



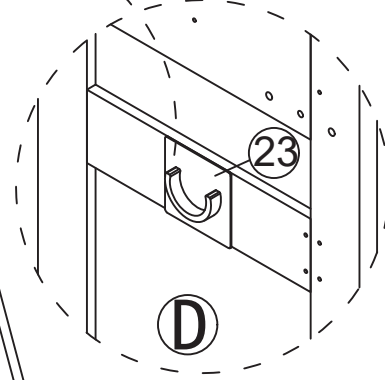
# STEP 26



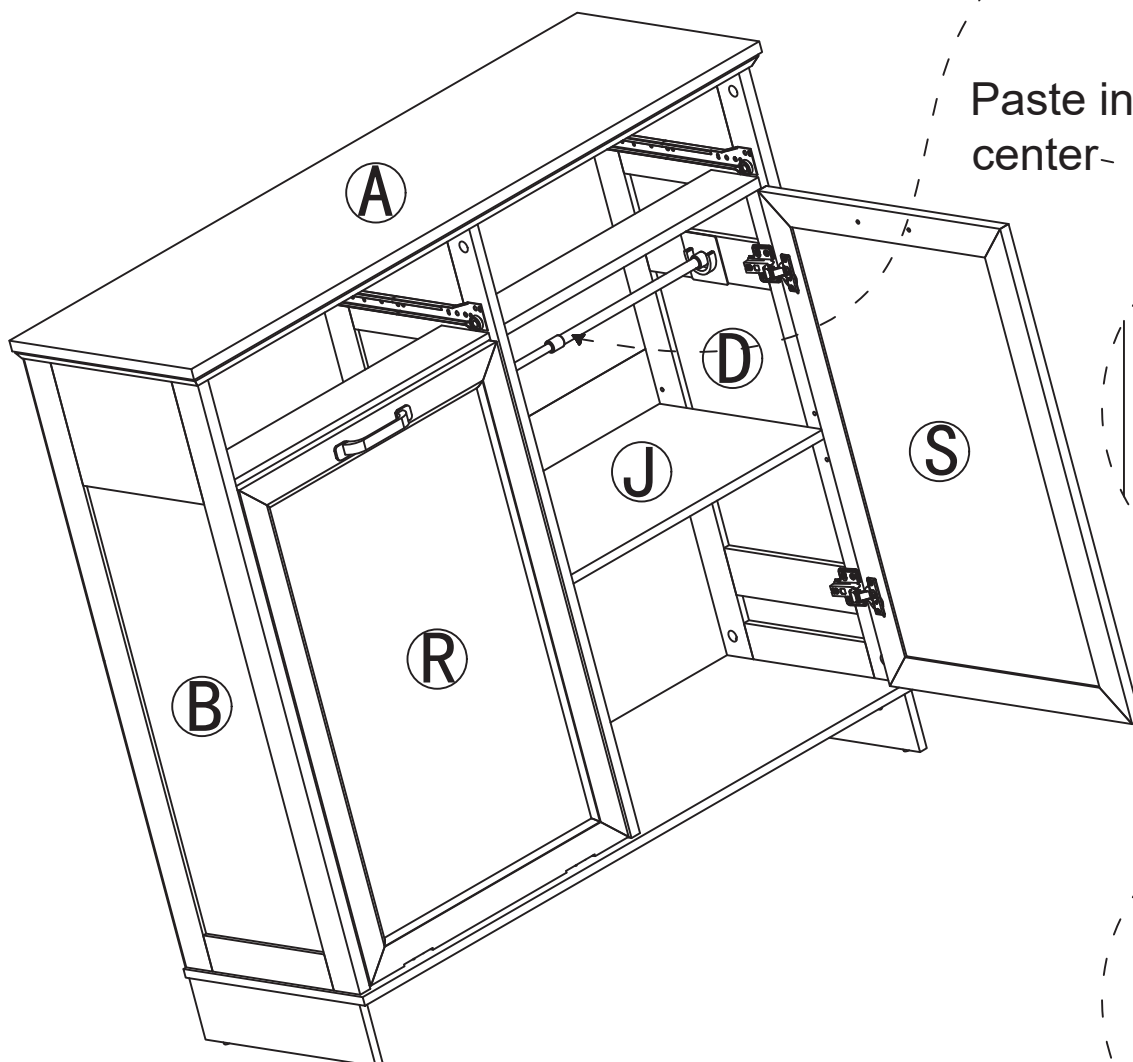
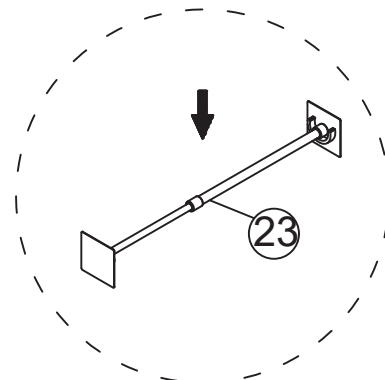
Paste in the center



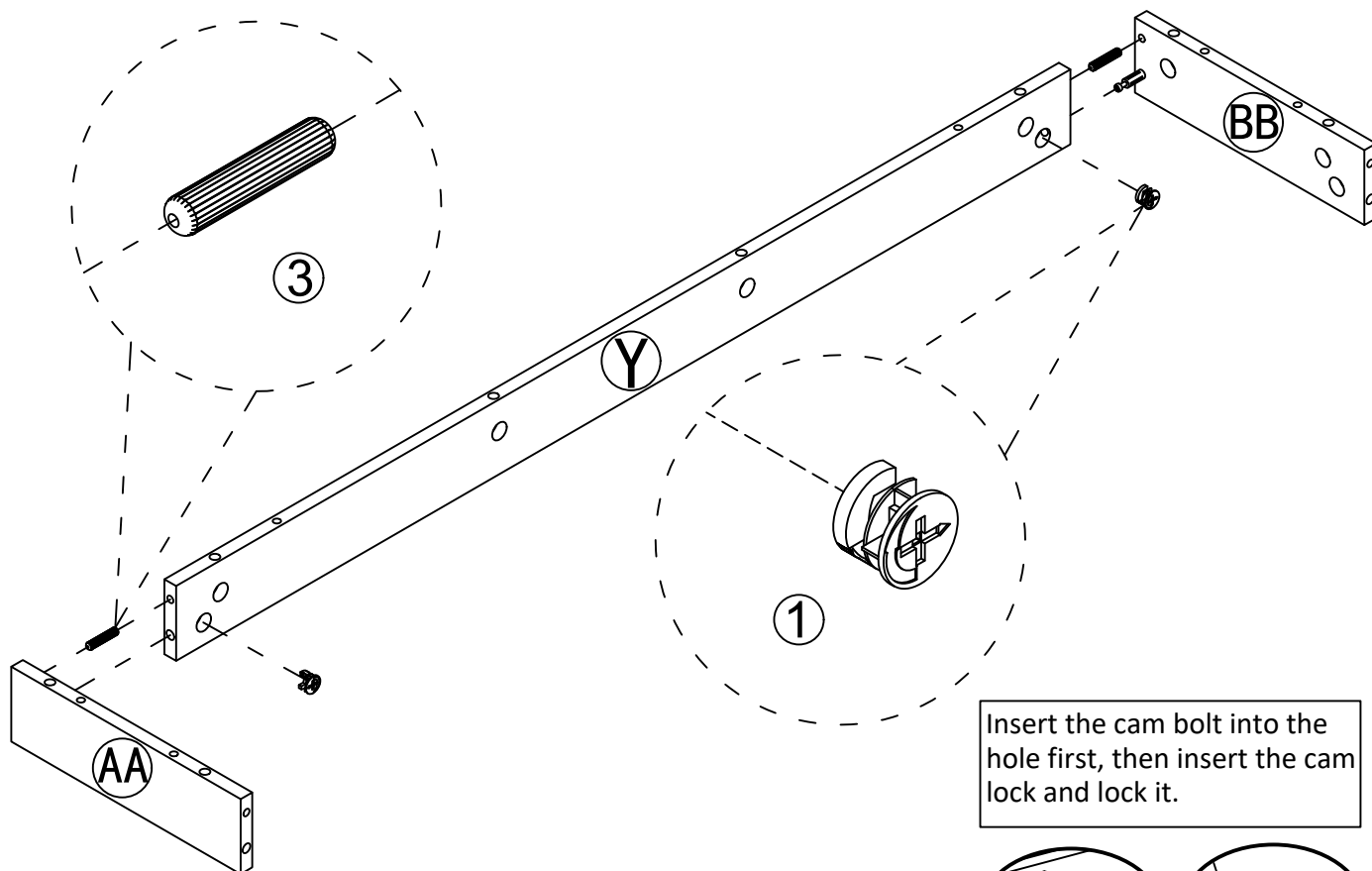
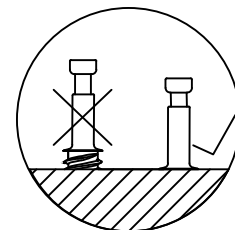
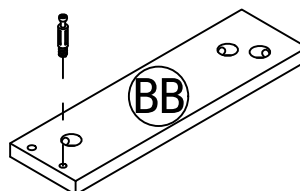
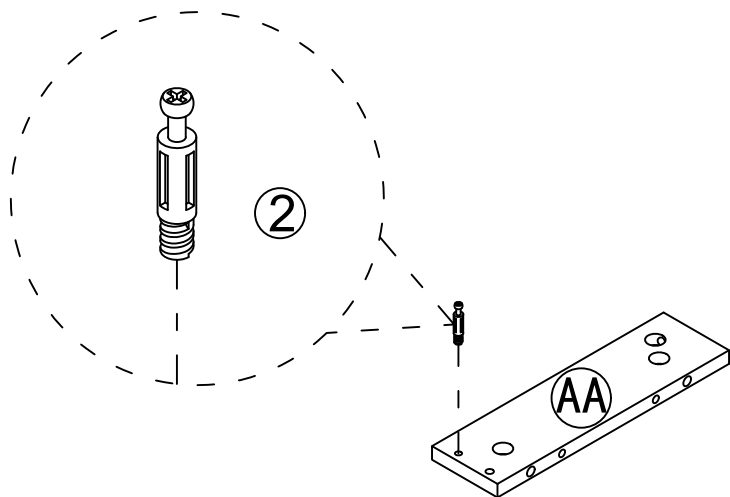
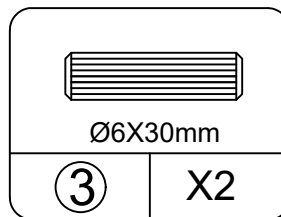
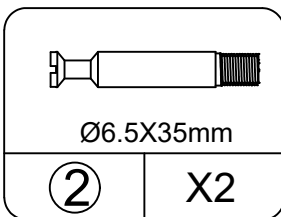
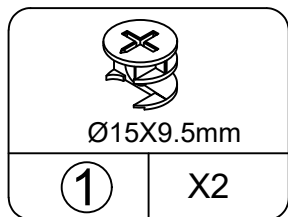
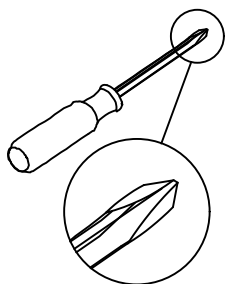
Paste in the center



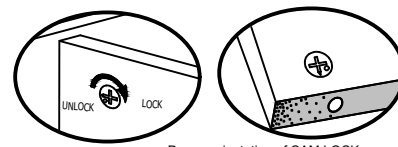
Put it down



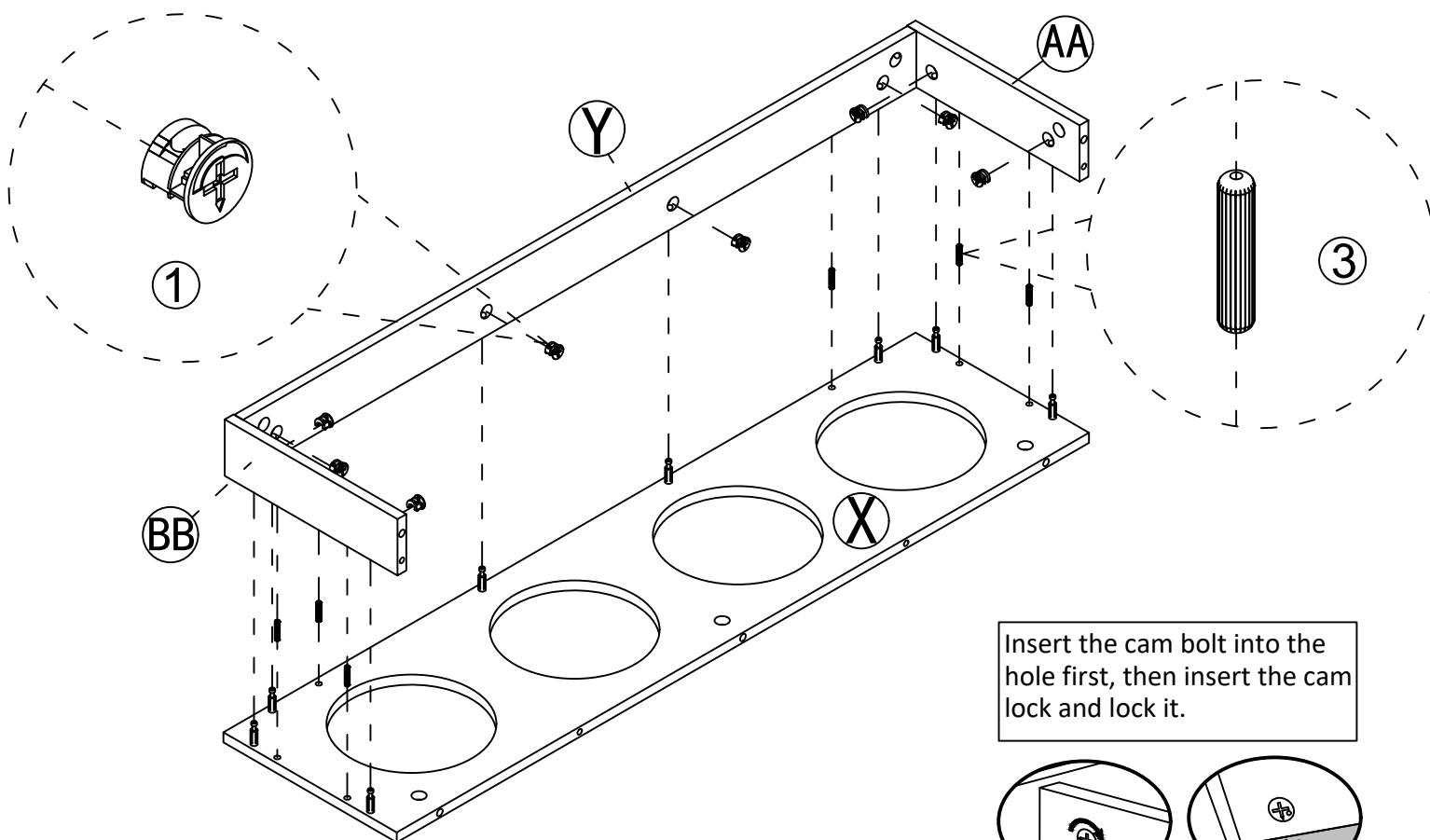
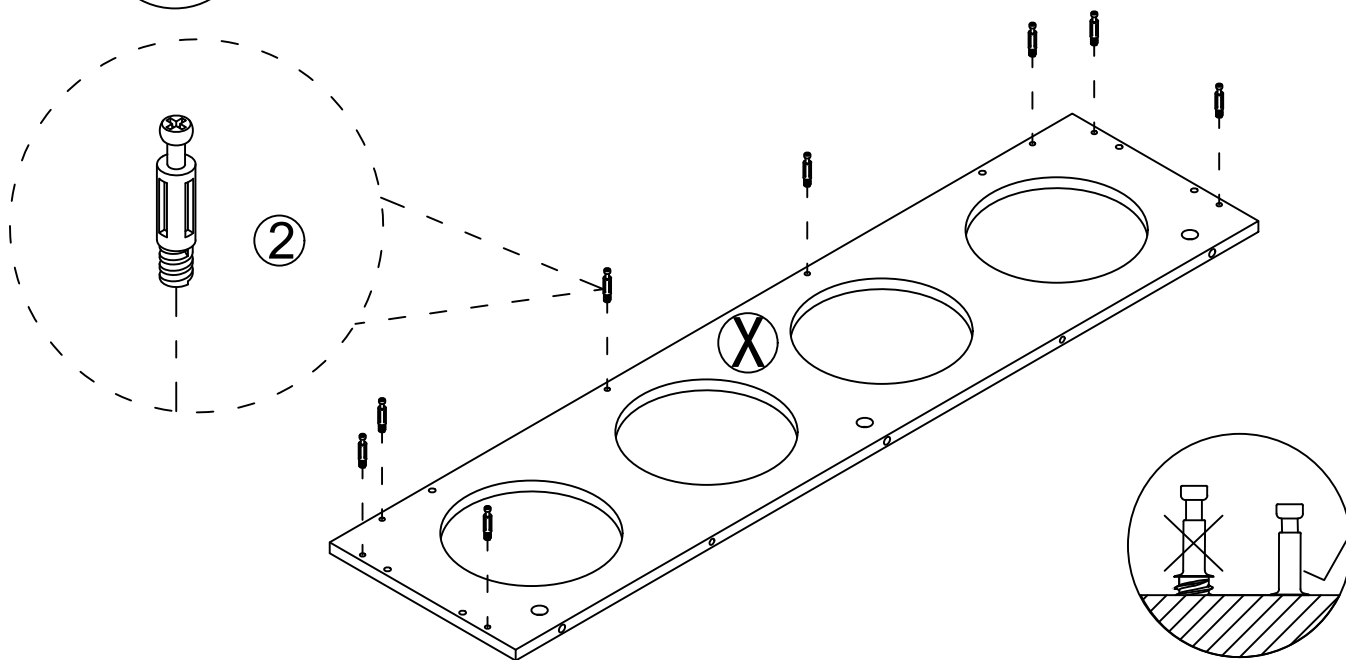
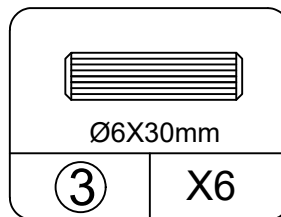
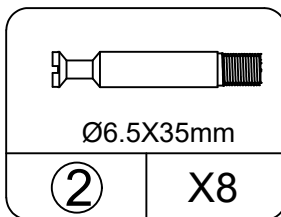
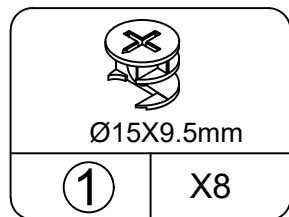
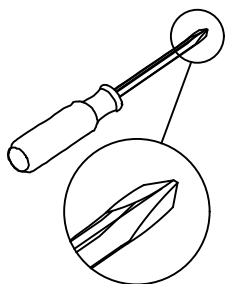
# STEP 27



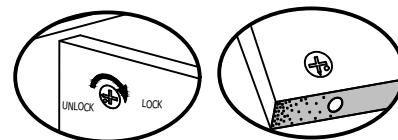
Insert the cam bolt into the hole first, then insert the cam lock and lock it.



# STEP 28

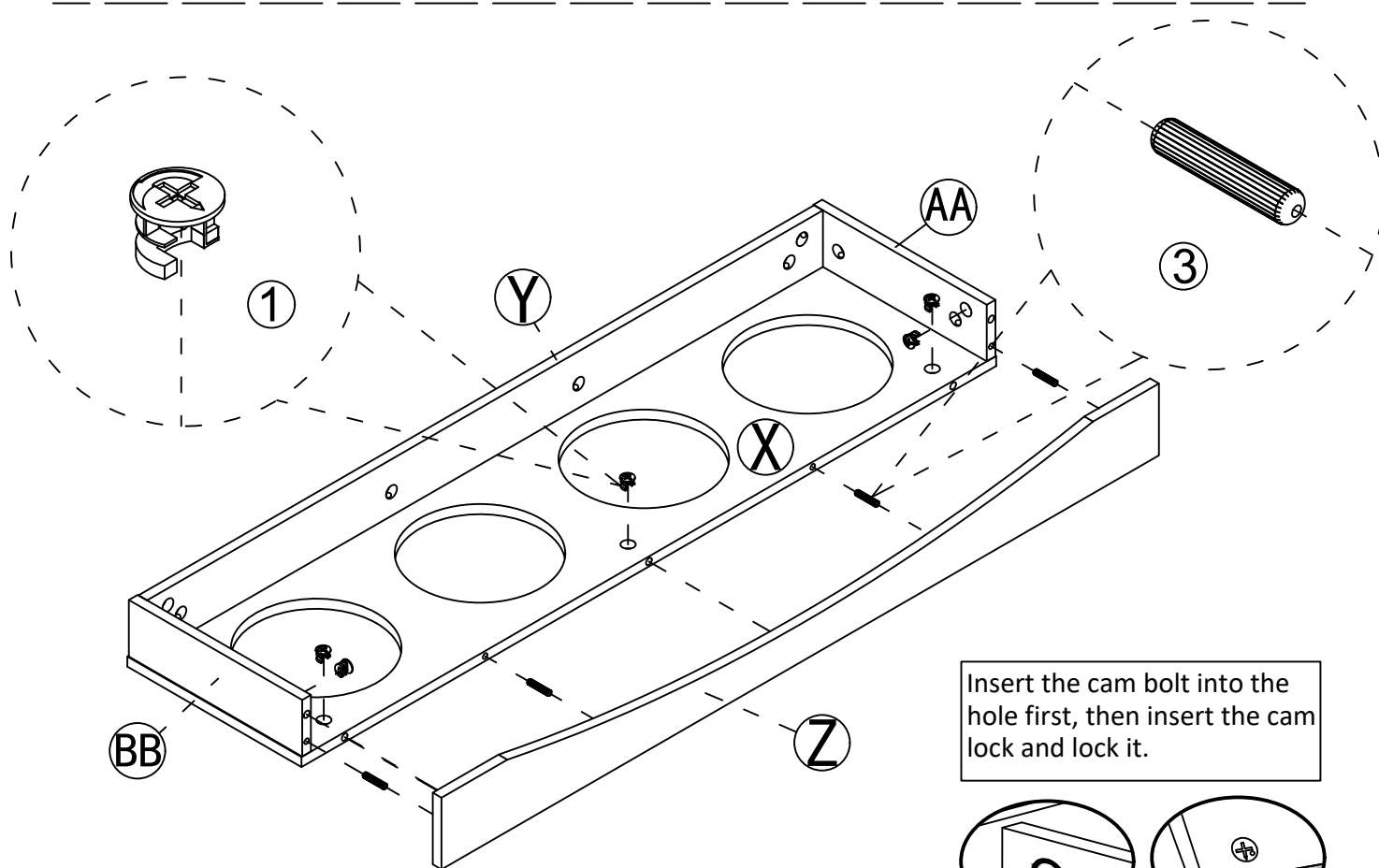
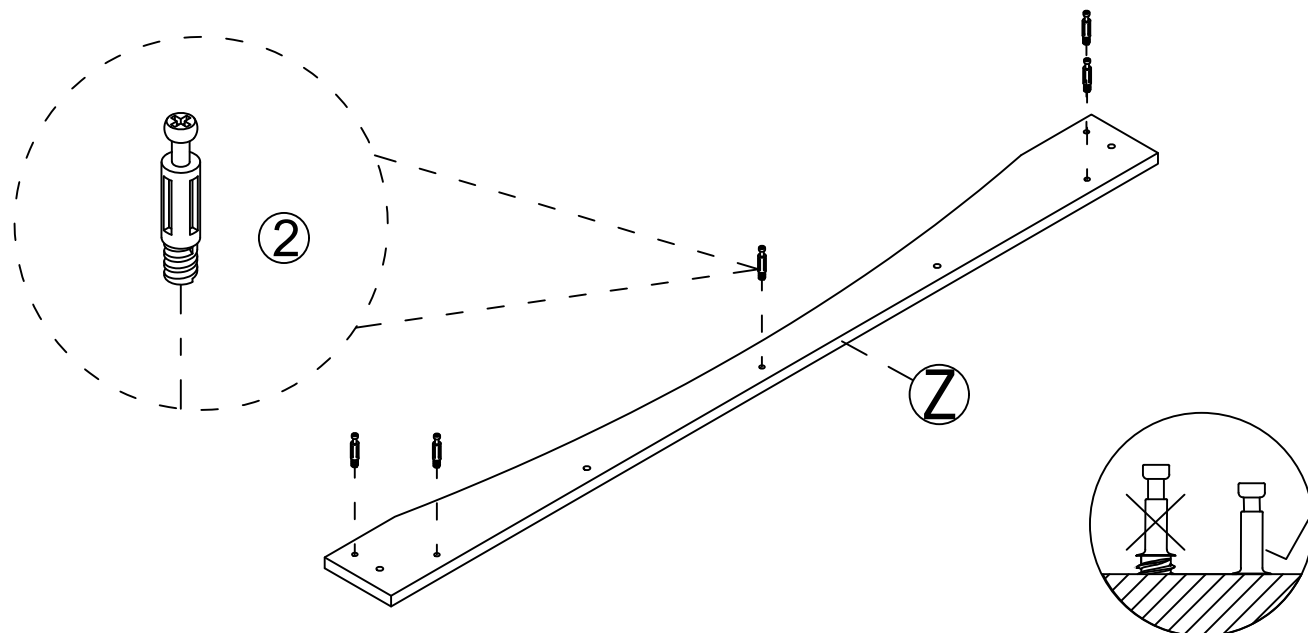
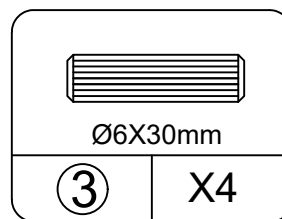
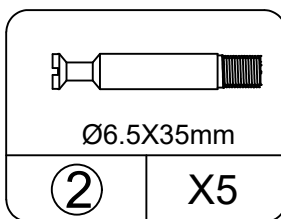
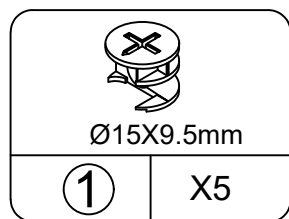
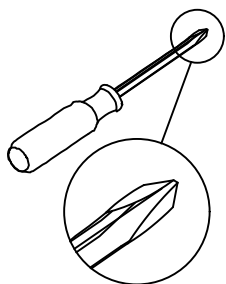


Insert the cam bolt into the hole first, then insert the cam lock and lock it.

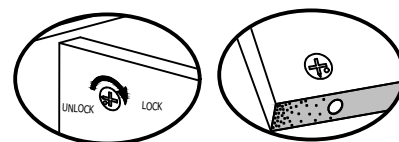


Proper orientation of CAM LOCK

# STEP 29

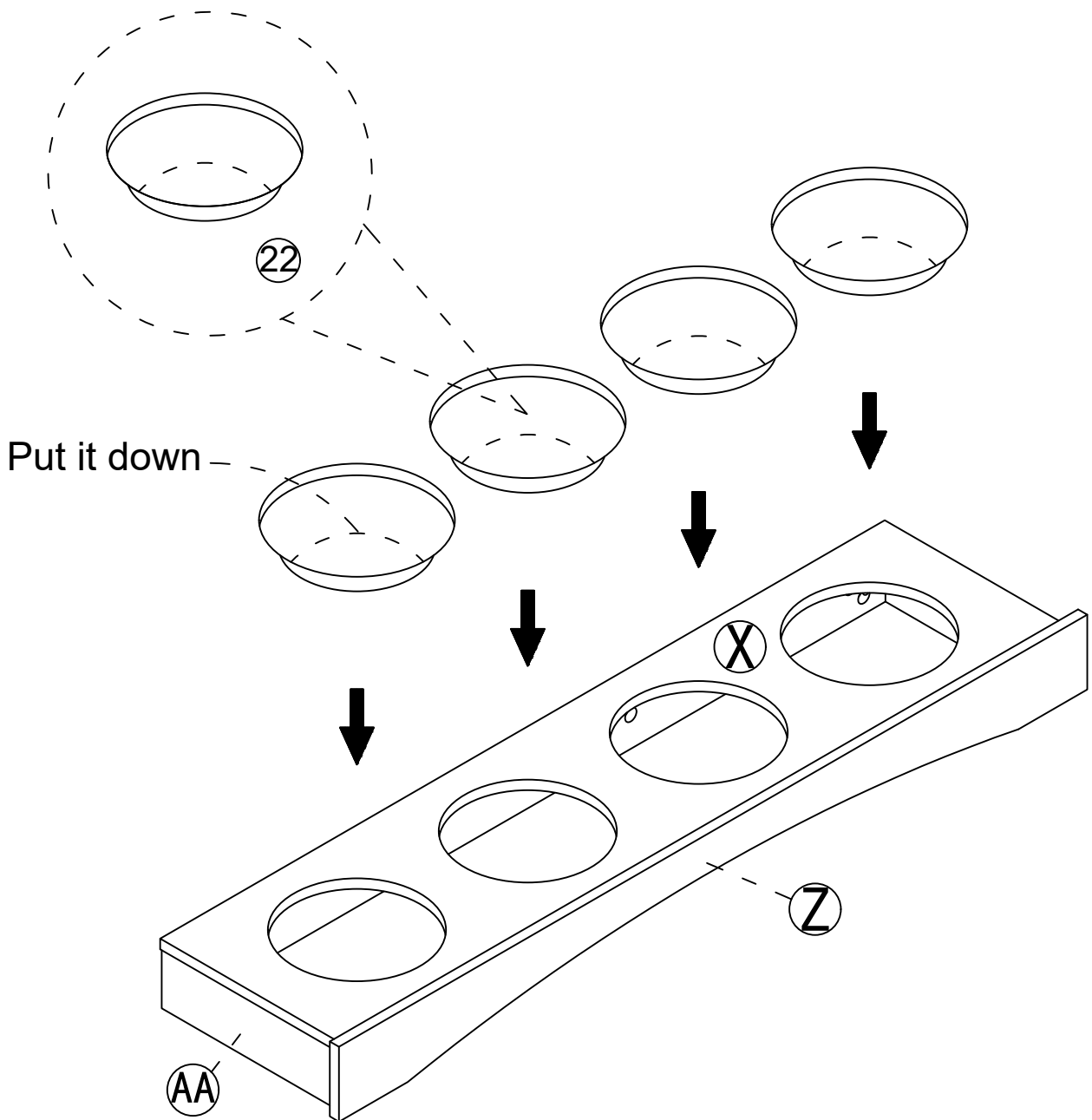
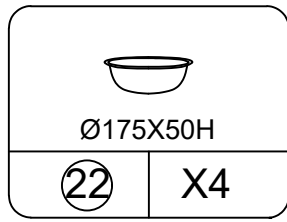
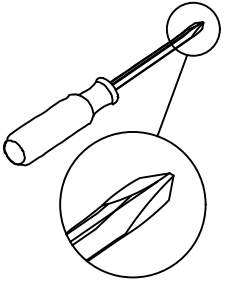


Insert the cam bolt into the hole first, then insert the cam lock and lock it.

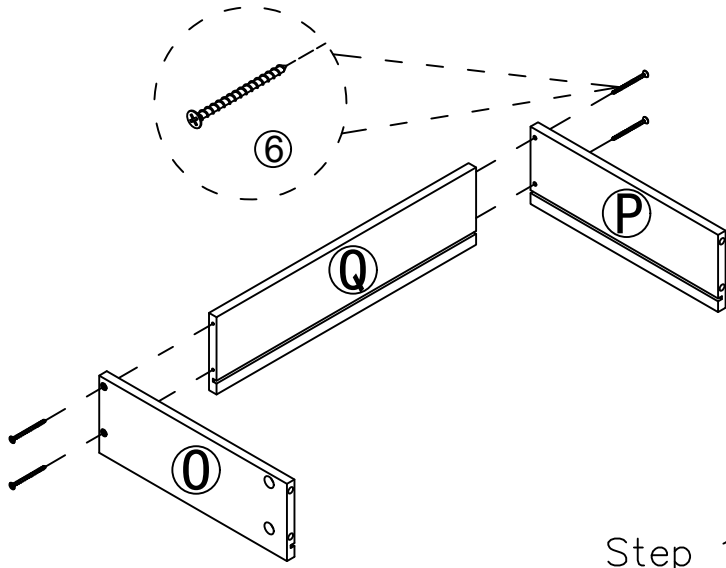
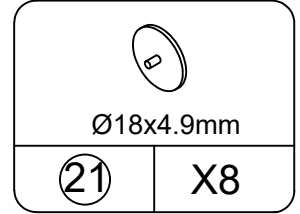
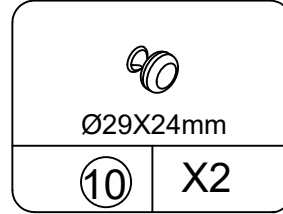
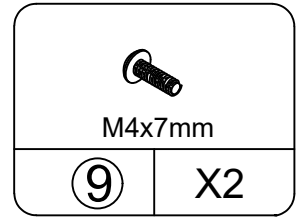
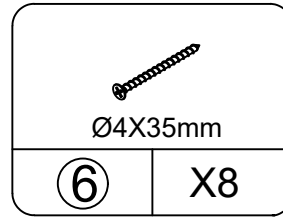
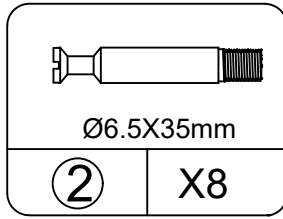
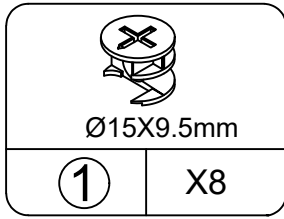
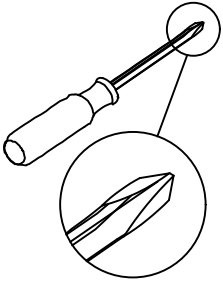


Proper orientation of CAM LOCK

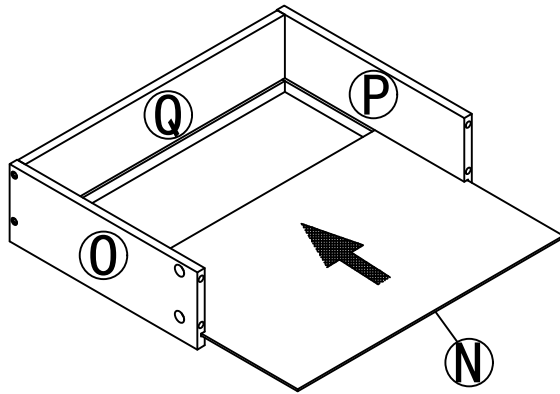
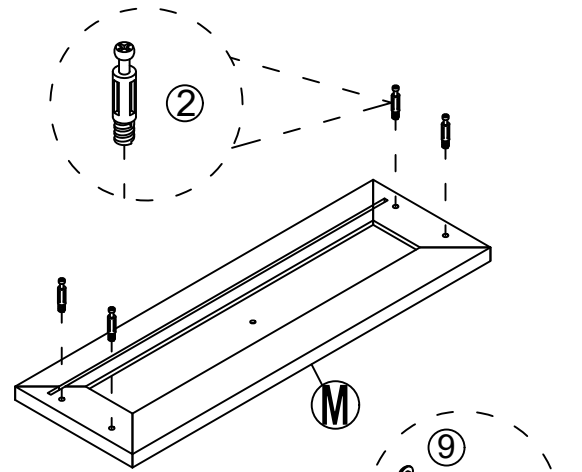
# STEP30



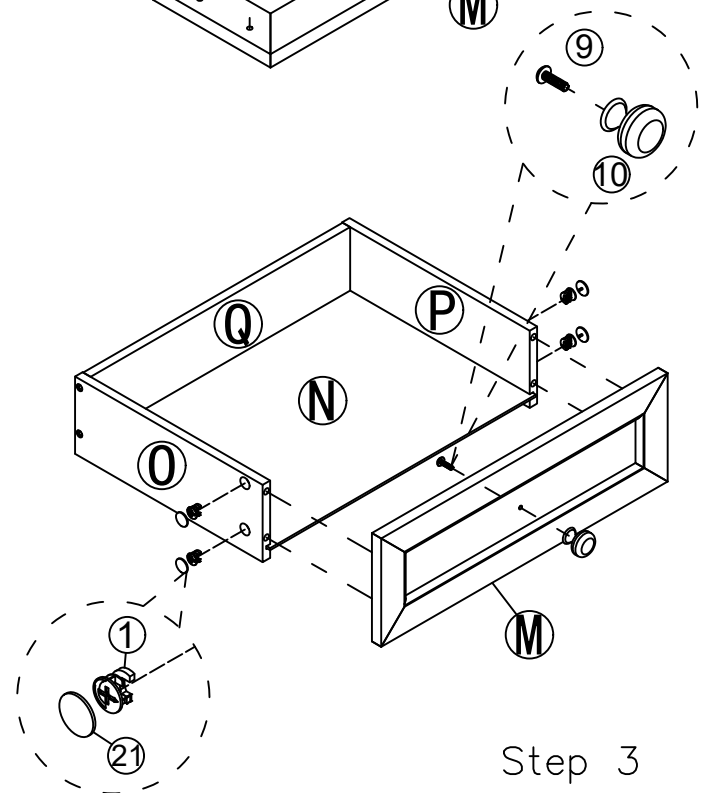
# STEP 31



Step 1

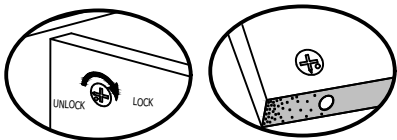


Step 2



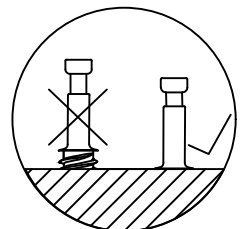
Step 3

Insert the cam bolt into the hole first, then insert the cam lock and lock it.

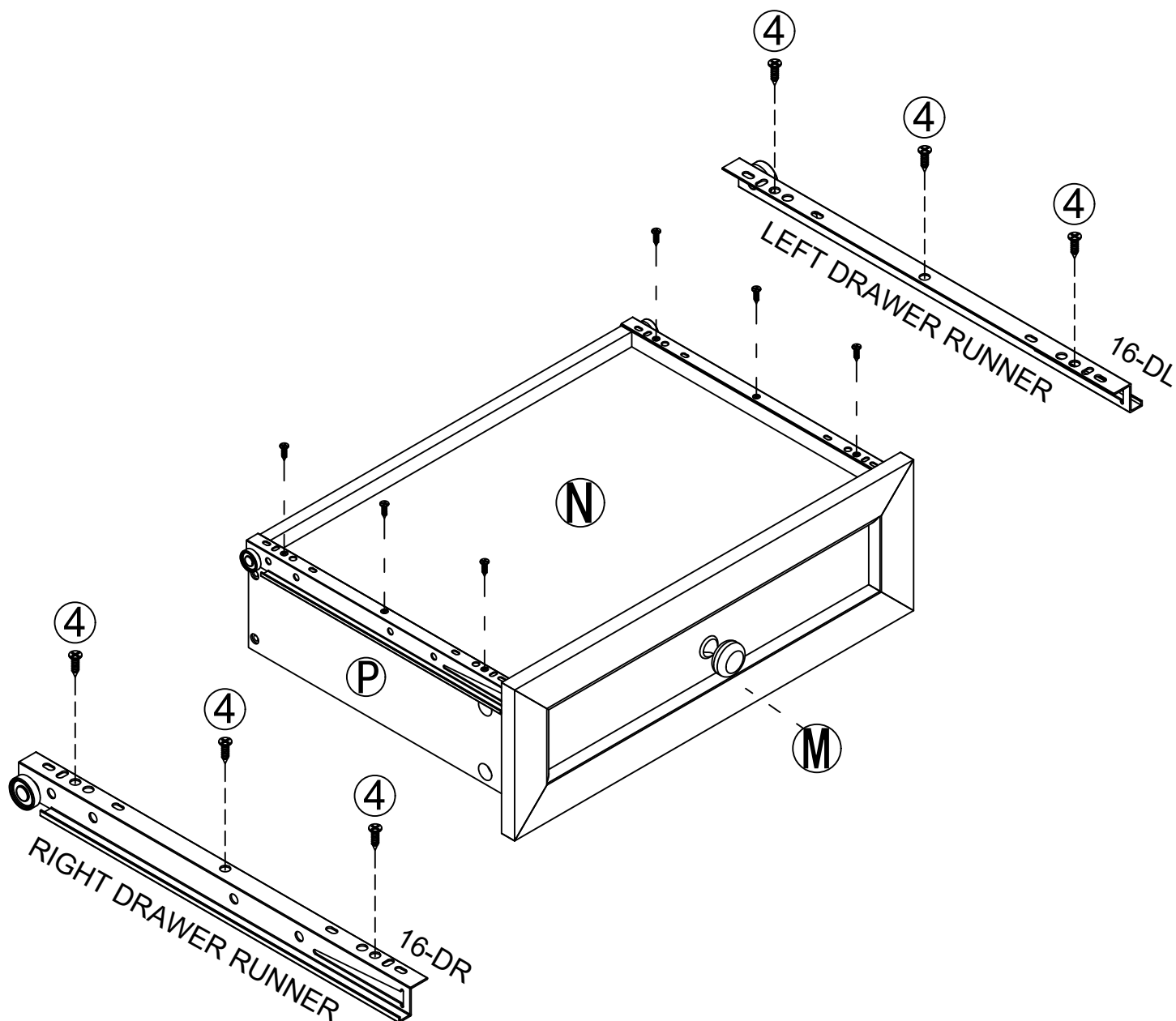
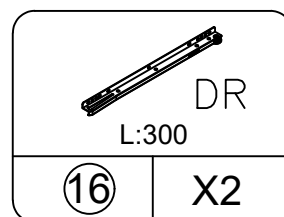
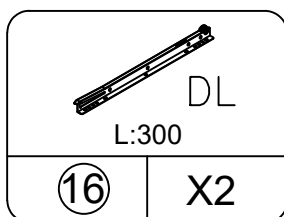
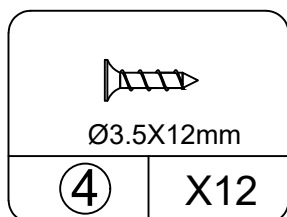
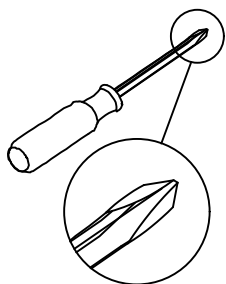


Proper orientation of CAM LOCK

# X2

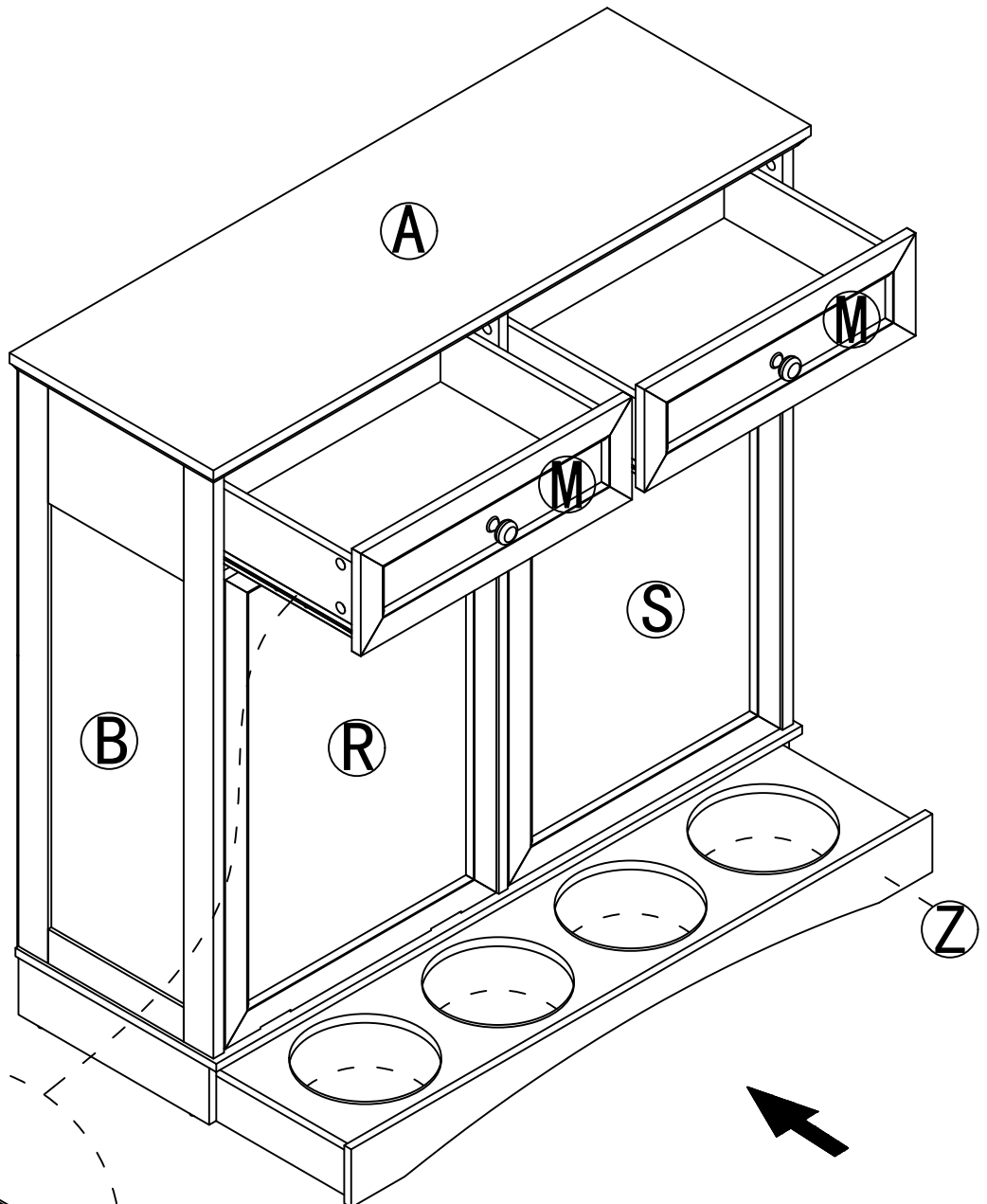
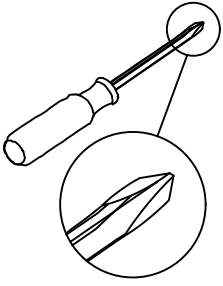


# STEP32

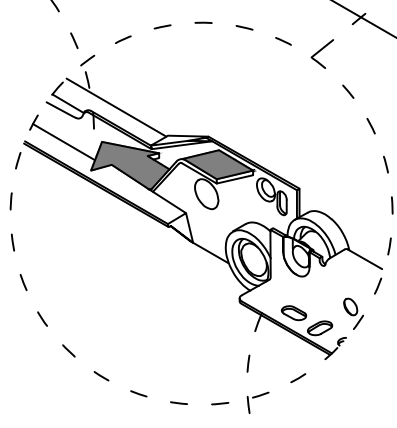


# X2

# STEP 33

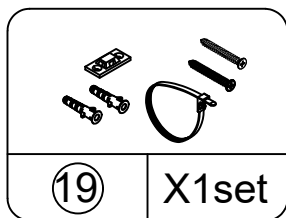
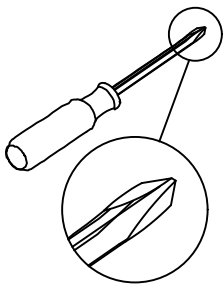


Cabinet Slide



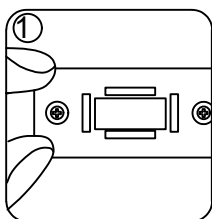
Drawer Slide

# STEP34

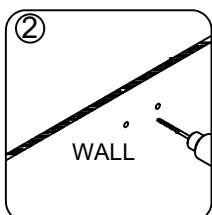


## Install the tipping restraint hardware

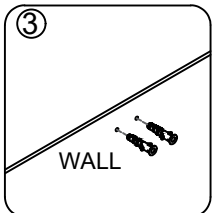
**NOTE:**The tipping restraint hardware included is for wooden stud wall construction. It must be attached to a wall stud. Depending upon your wall construction different anchor hardware maybe required. Please contact your local hardware store for assistance. Young children can be seriously injured by tipping furniture. You must install the tipping restraint hardware with the unit to prevent the unit from tipping, causing any accidents or damage. The tipping restraints are intended only as a deterrent and are not a substitute for proper adult supervision. The tipping restraints are not earthquake restraints. If you wish to add the extra security of earthquake restraints, they must be purchased and installed separately.



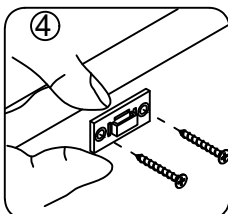
1. make mark on the wall



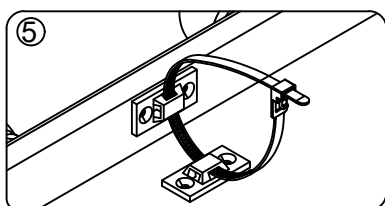
2. drill two Ø6 holes on the wall



3. put two anchors in the holes



4. fix the device on the wall by the long screws



5. Push the cabinet close to the wall so that the two bases are close to each other, and then nylon tie to tighten it.

