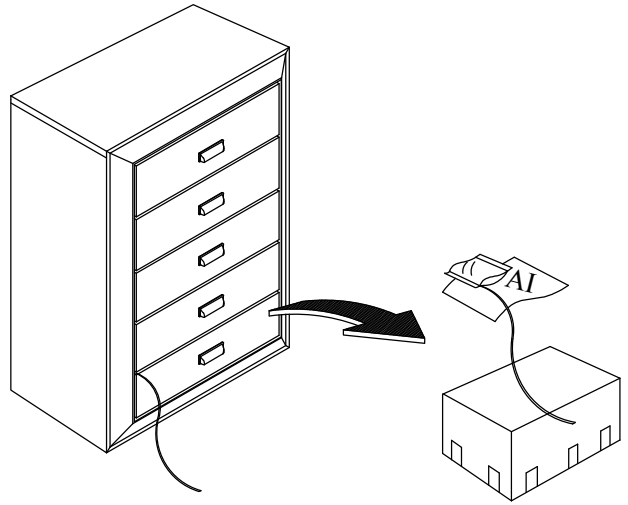


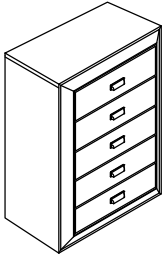
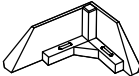
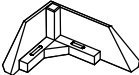
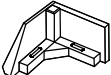
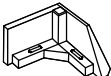




# ASSEMBLY INSTRUCTIONS

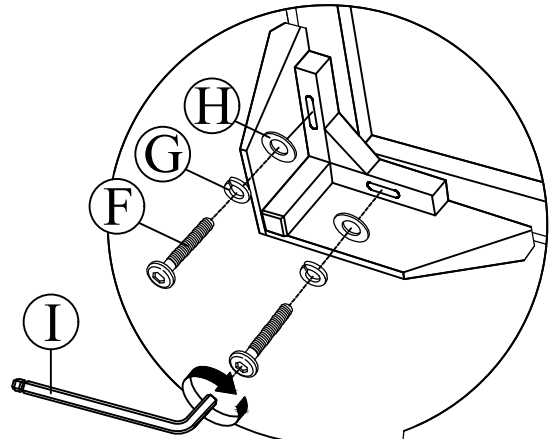
REVISION : A

## STEP 1

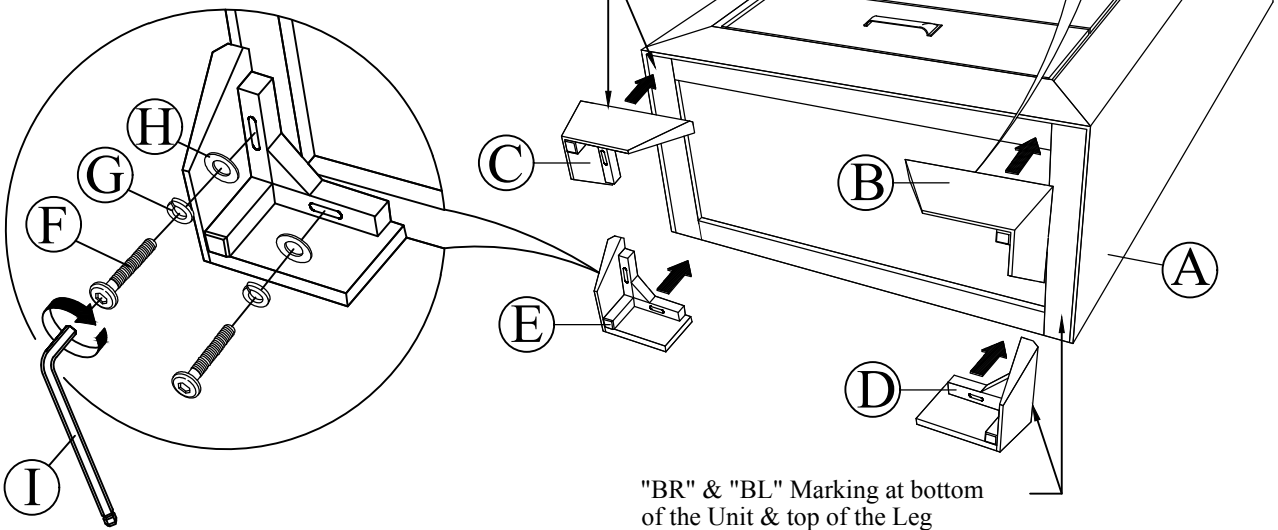
Take out Assembly Instruction sheet, Hardware Pack and Feet Packaging from the Drawer which marked with the rope.



NO	PARTS LIST		
A	Chest		1
B	FR Front Right Feet		1
C	FL Front Left Feet		1
D	BR Rear Right Feet		1
E	BL Rear Left Feet		1
HARDWARE LIST			
F	JCBC M6 x 35mm		8
G	Spring Washer		8
H	Washer $\varnothing\frac{1}{4}$ " x 20mm		8
I	Allen Key M4		1



"FR" & "FL" Marking at bottom of the Unit & top of the Leg

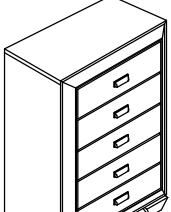






"BR" & "BL" Marking at bottom of the Unit & top of the Leg

## STEP 2

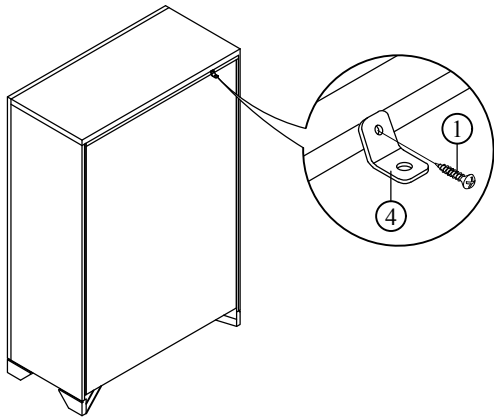
Align & fasten feet (B),(C),(D) and (E) to Unit according to the position left and right follow the label correctly using bolt (F), lock washer (G) and flat washer (H) and fully tighten with Allen Key (I).

# ANTI TIPPING

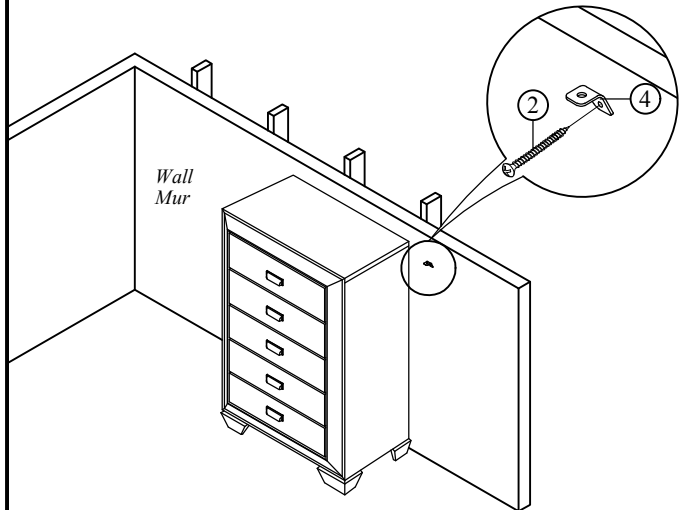
PARTS IDENTIFICATION		HARDWARE IDENTIFICATION	
<b>A. CHEST</b>  <b>1 SET</b>	1.		16mm Screw <b>1 Pc</b>
	2.		50mm Screw <b>1 Pc</b>
	3.		Tie Strap <b>1 Pc</b>
	4.		L Bracket <b>2 Pcs</b>

This anti-tipping kit must be attached to a wall using the provided 50mm screws.

Step 1: Attach the bracket securely to the back top rail of the chest using the provided smaller 16mm screw, through the smaller hole of the bracket.



Step 2: Attached the second bracket securely to the wall using the provided longer 50mm screw, through the smaller hole of the bracket. Please attach the second bracket to the wall 2 inches lower than the first bracket that was attached to the back of the chest.



Step 3: Place the chest into position so both mounting brackets are vertically in line. Lace the end of the restraint strap through the bigger hole on each bracket. Bring both ends together and slide the flat end through the locking end and draw it through until all slack is removed. Please make sure that the strap is securely laced and locked.

