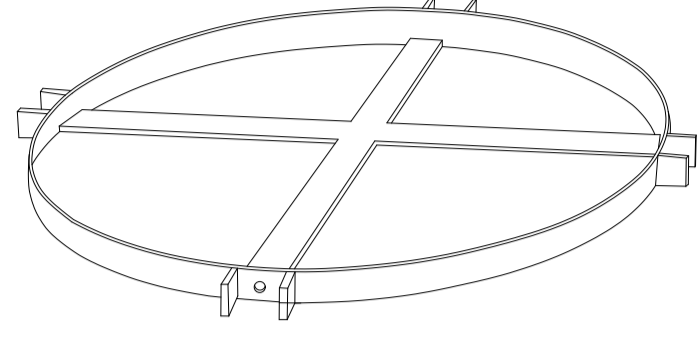
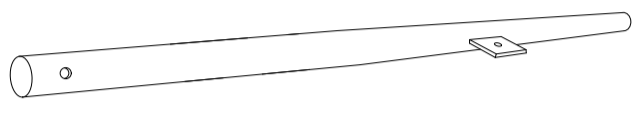
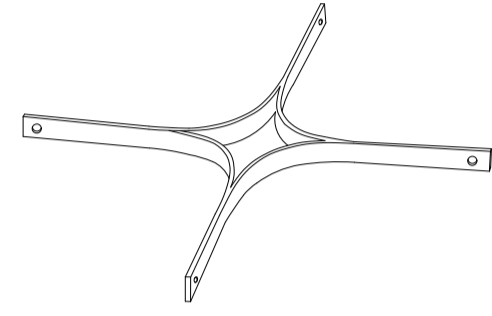
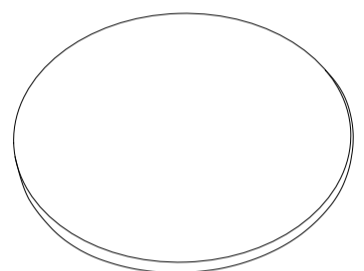


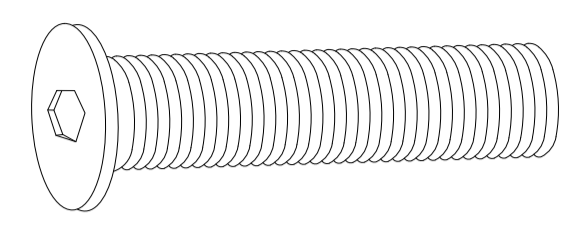
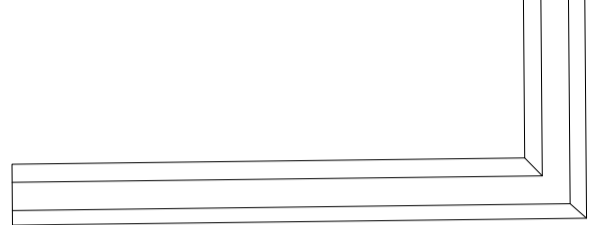
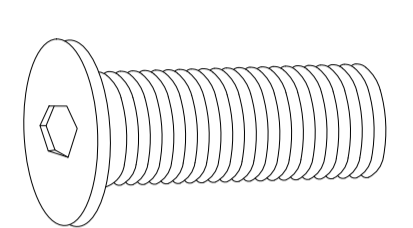
ASSEMBLY INSTRUCTIONS

CVFNR4529

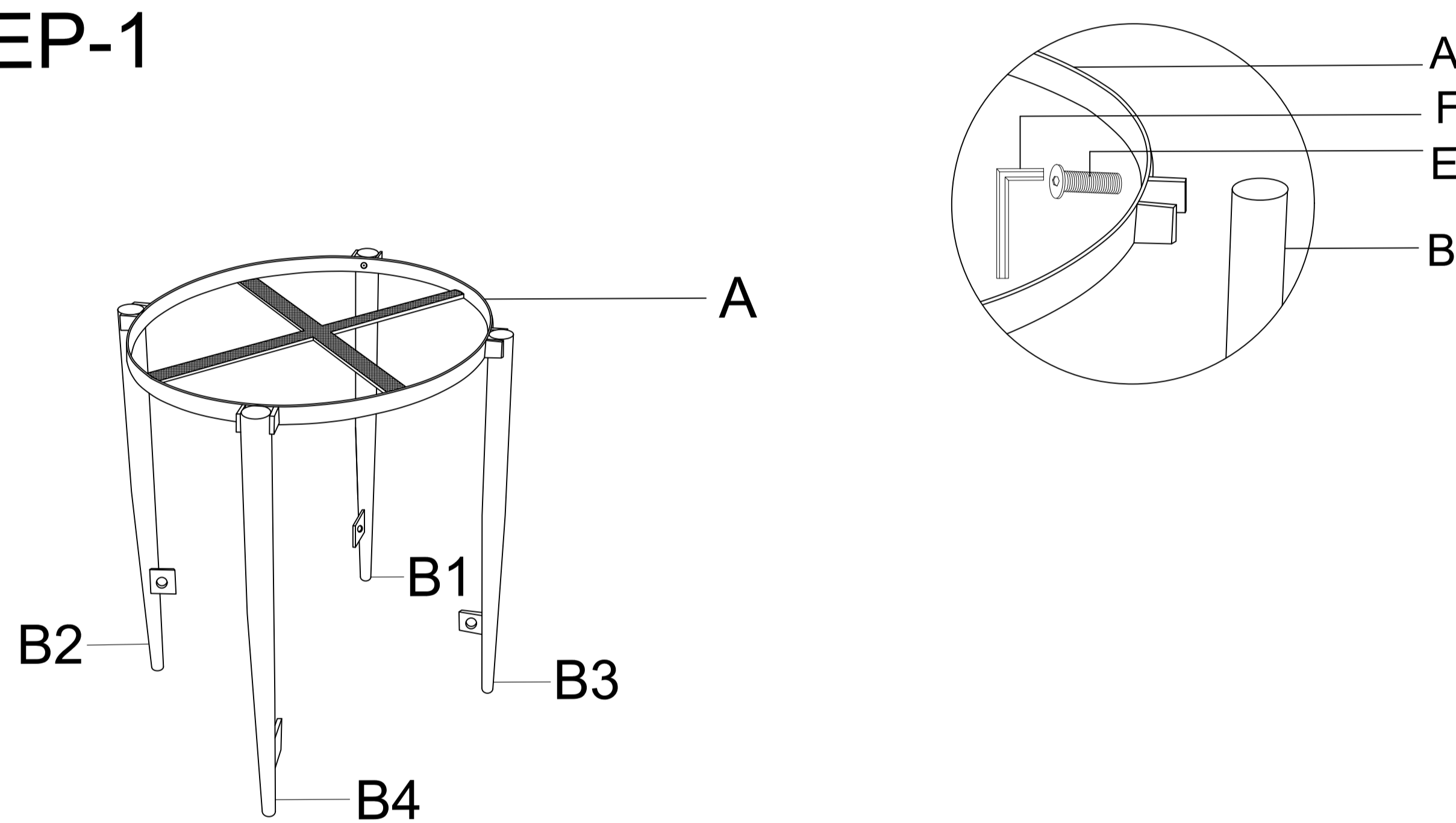
PARTS

S.NO.	DESCRIPTION	QTY.
A	 TOP RING	1 PCS
B	 LEGS B1,B2,B3,B4	4 PCS
C	 BOTTOM SUPPORT	1 PCS
D	 MARBLE TOP	1 PCS

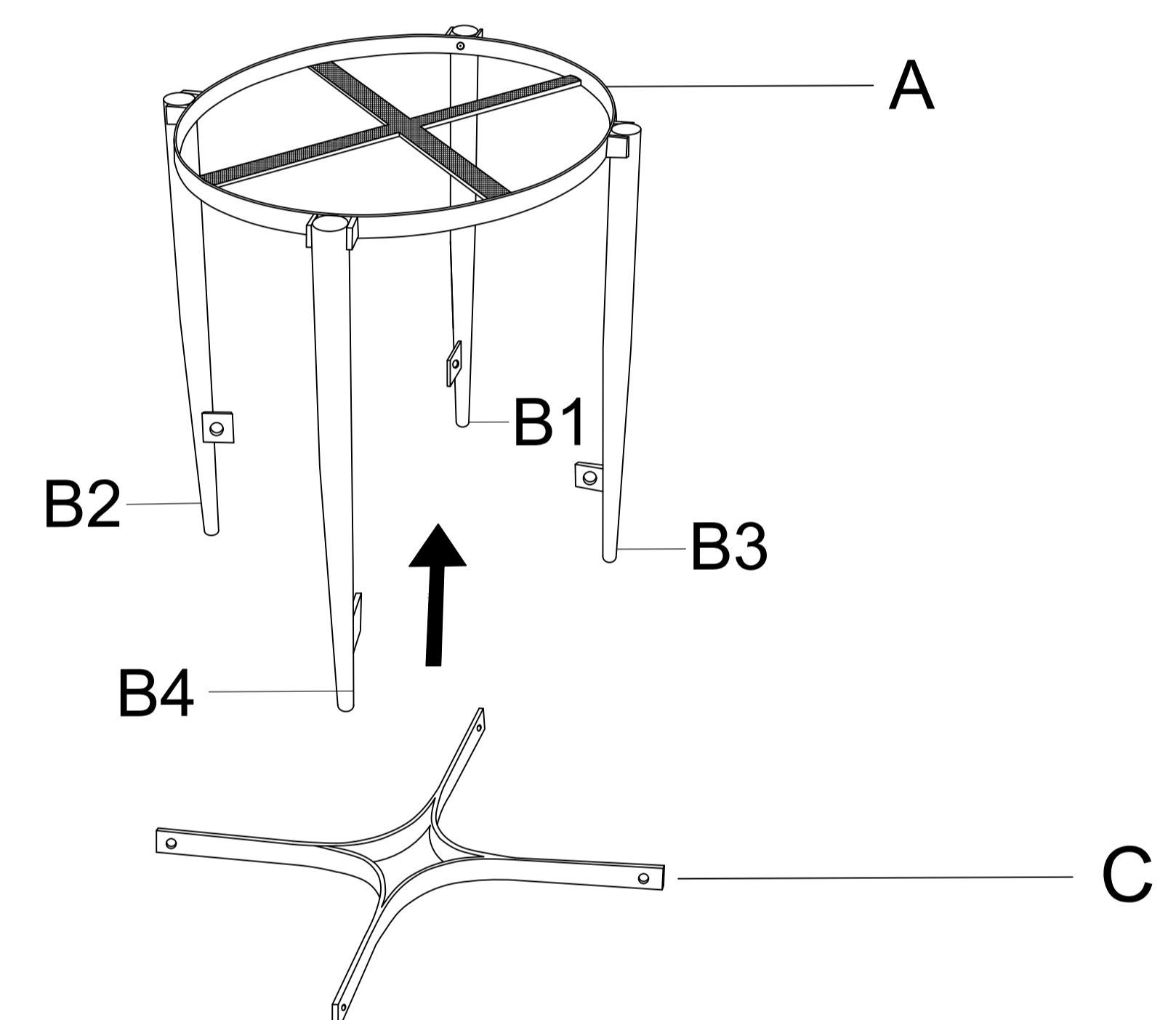
HARDWARE

S.NO.	DESCRIPTION	QTY.
E	 NUT	8 PCS
F	 ALLEN KEY	1 PCS
G	 NUT	4 PCS

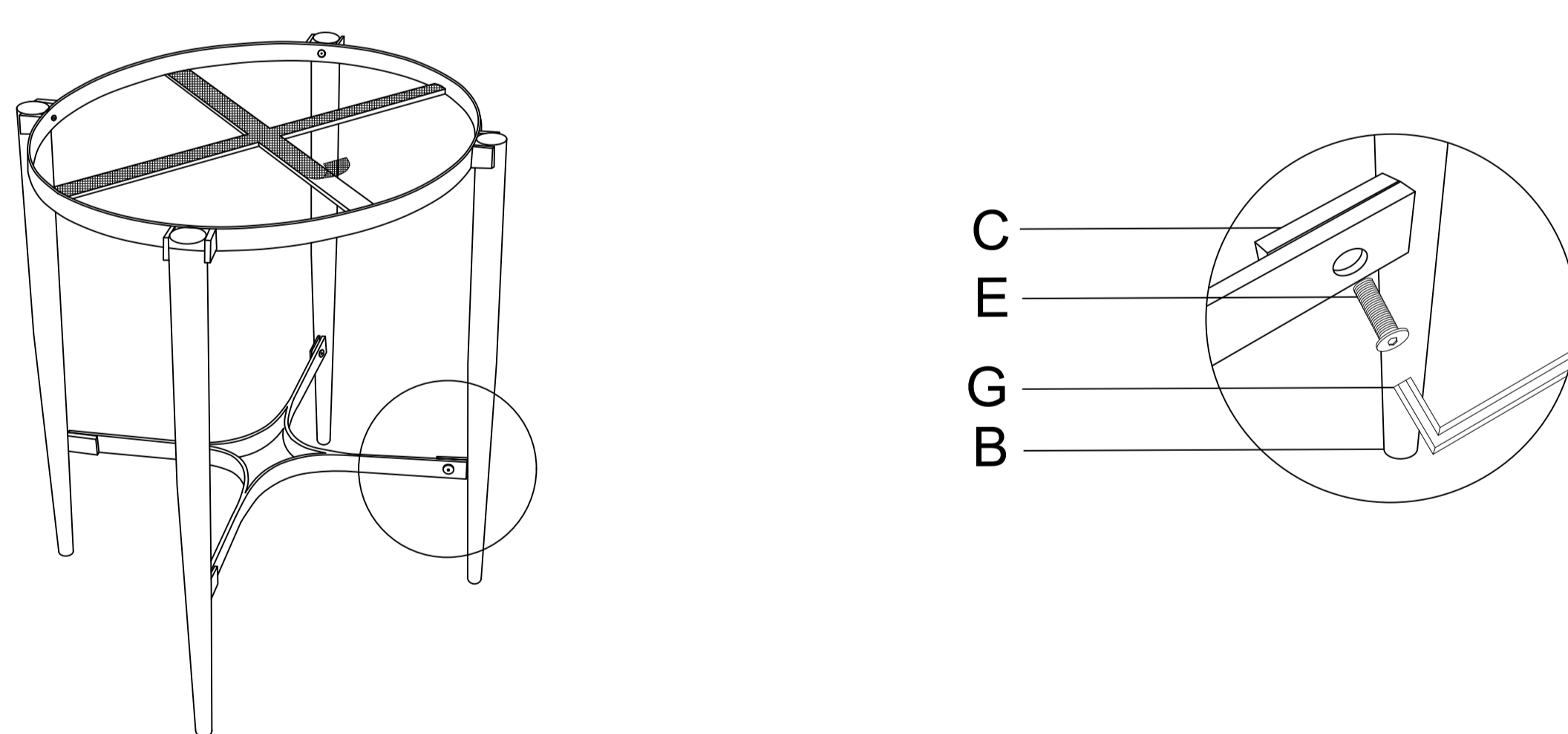
STEP-1



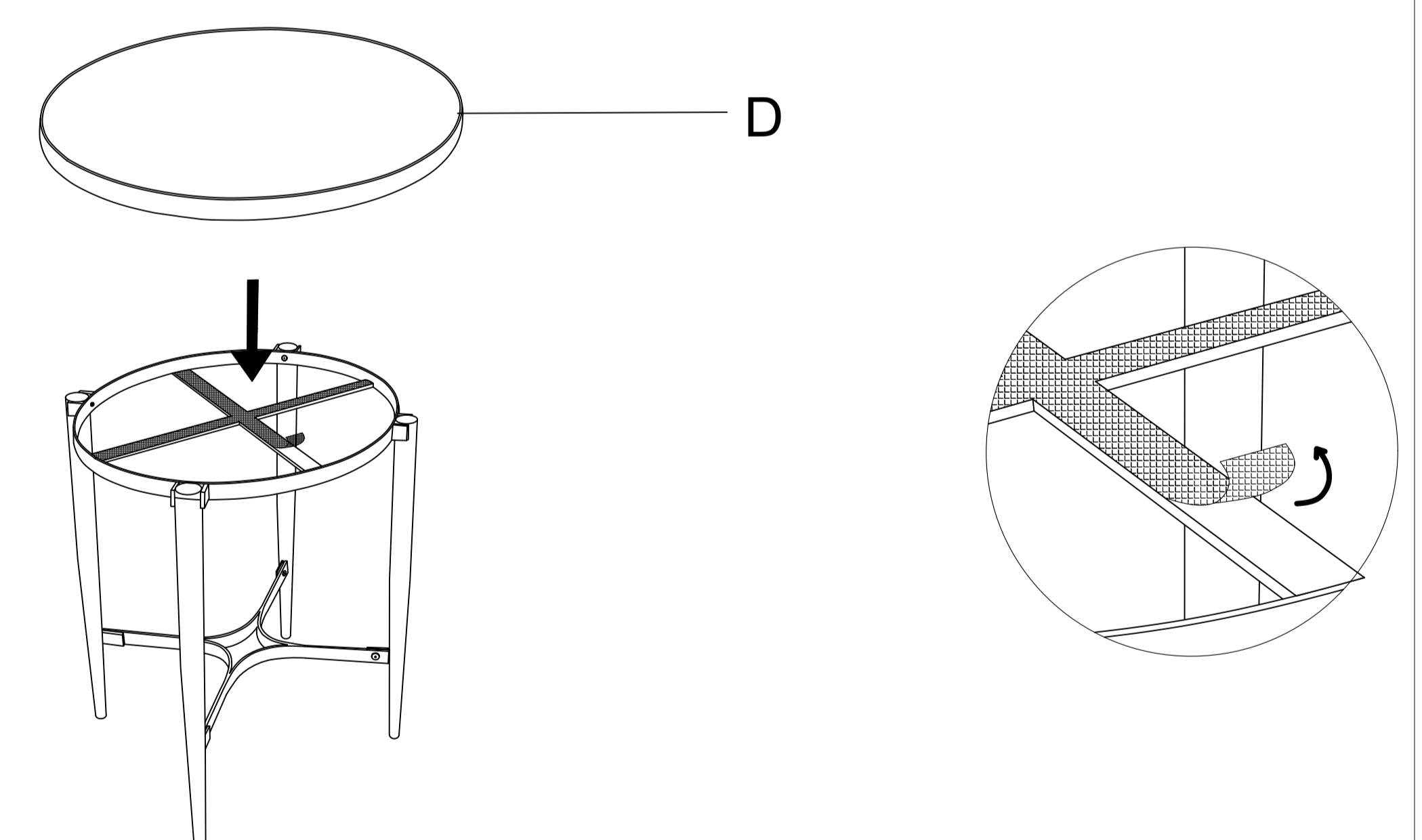
STEP-2



STEP-3

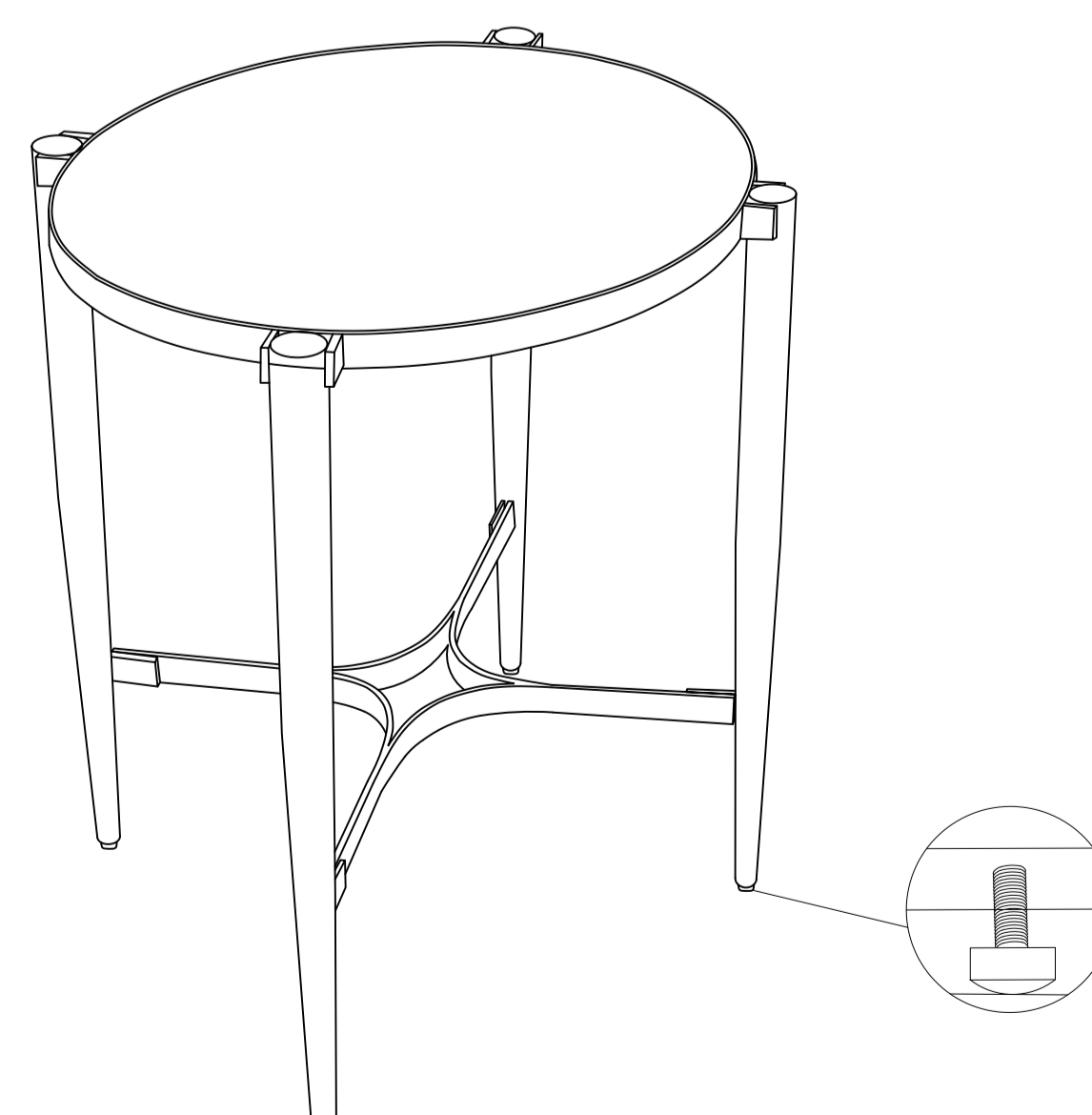


STEP-4



NOTE: PLEASE REMOVE PEELABLE TAPE TO EXPOSE THE ADHESIVE PART OF THE TAPE.

STEP-5



Note: Levellers are provided at bottom to balance the product on uneven surface.