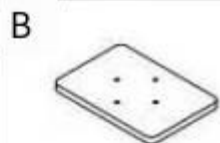


Column: 2



Base: 2 pieces



Tray: 2 pieces



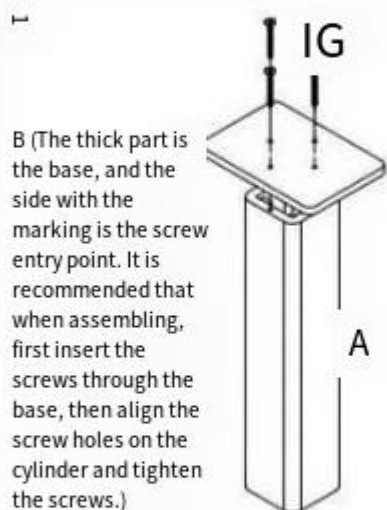
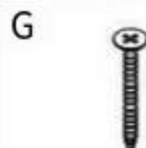
Anti-slip foot mats: 8 pieces



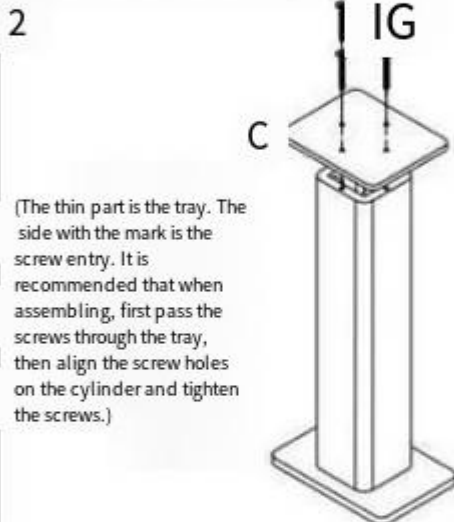
Fixed pads: 4 pieces



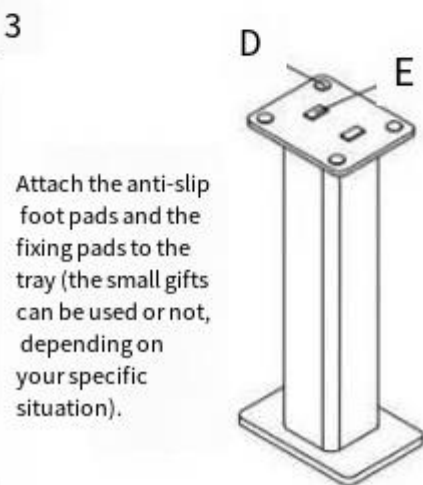
Wire organizer clip: 4 self-tapping screws: 16 pieces



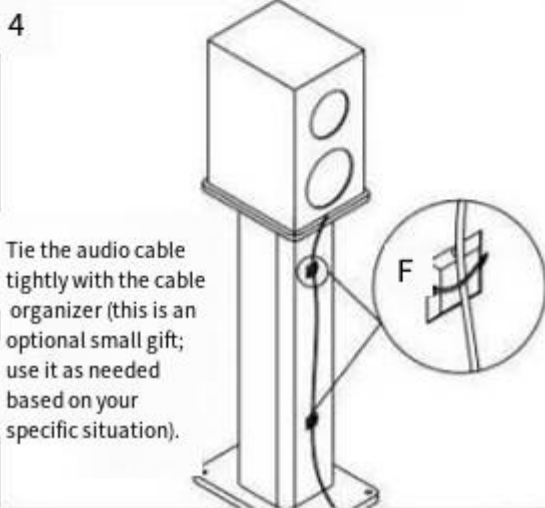
1
B (The thick part is the base, and the side with the marking is the screw entry point. It is recommended that when assembling, first insert the screws through the base, then align the screw holes on the cylinder and tighten the screws.)



2
C (The thin part is the tray. The side with the mark is the screw entry. It is recommended that when assembling, first pass the screws through the tray, then align the screw holes on the cylinder and tighten the screws.)



3
Attach the anti-slip foot pads and the fixing pads to the tray (the small gifts can be used or not, depending on your specific situation).



4
Tie the audio cable tightly with the cable organizer (this is an optional small gift; use it as needed based on your specific situation).