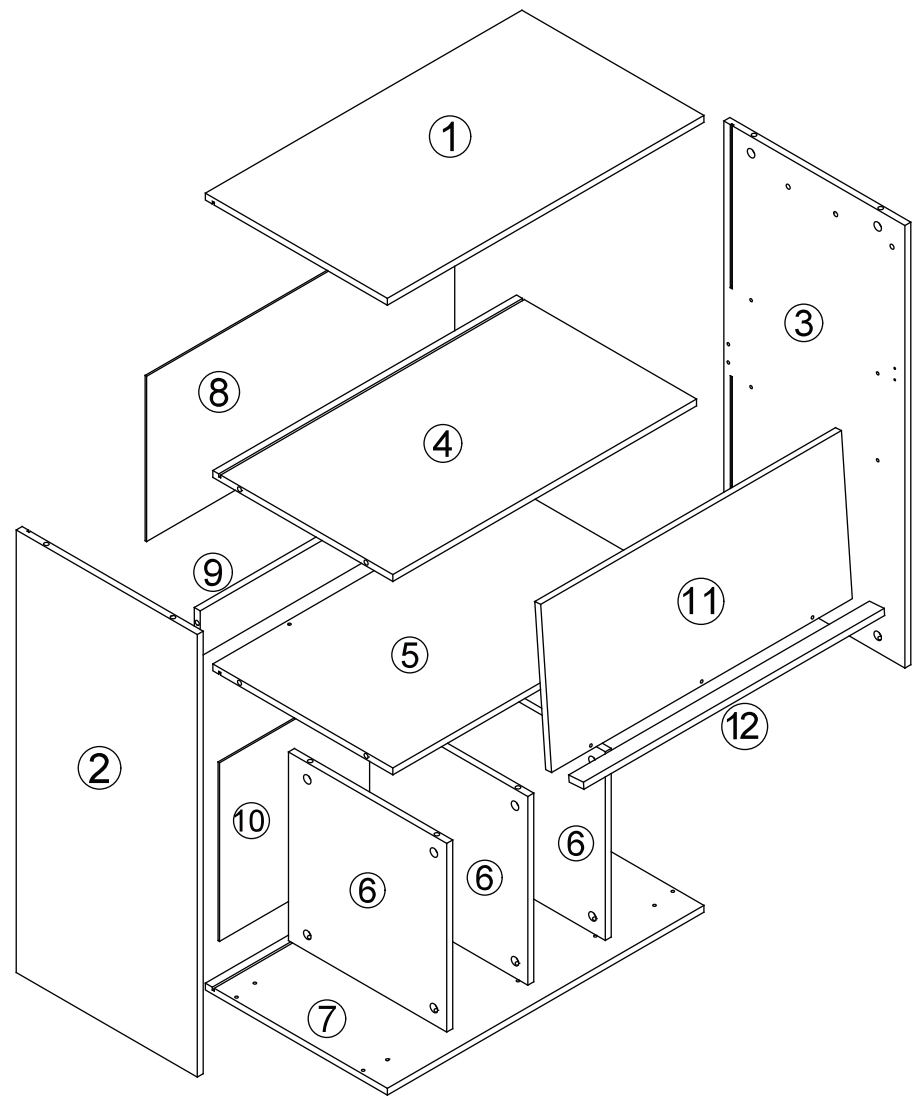
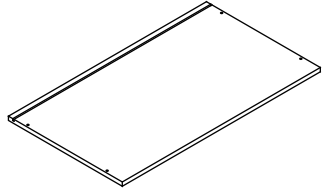


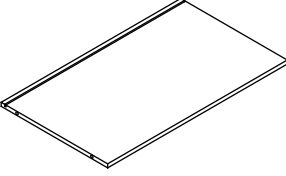
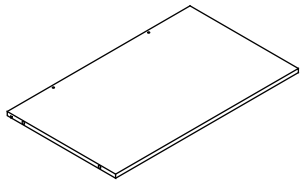
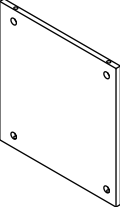
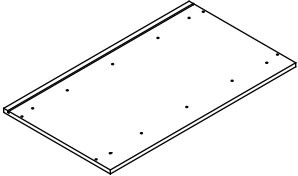
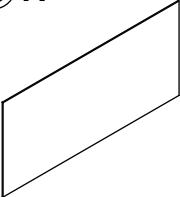
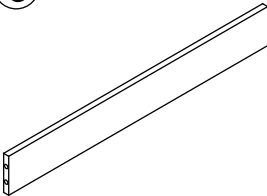
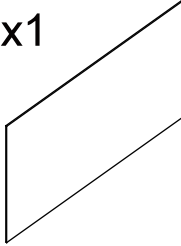
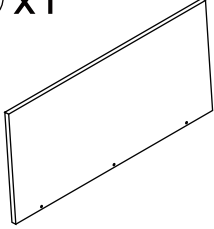
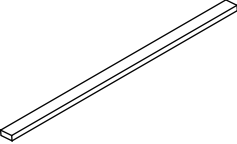
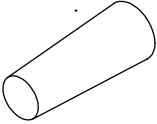


US-HO8005-VB-A-1.0



① x1 	② x1 	③ x1 	④ x1 	⑤ x1 	⑥ x3 
⑦ x1 	⑧ x1 	⑨ x1 	⑩ x1 	⑪ x1 	⑫ x1 
⑬ x4  x 4 pcs					

EN: This product does not contain batteries.

Legal Disclaimer: We cannot be held responsible for any injury, accident or damage that is caused by improper use or by improper repair or modification of the product.

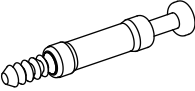

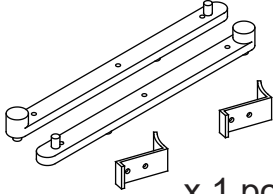

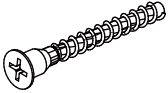


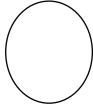
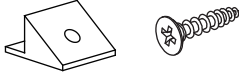


WARNING:

CHOKING HAZARD -- Small parts.

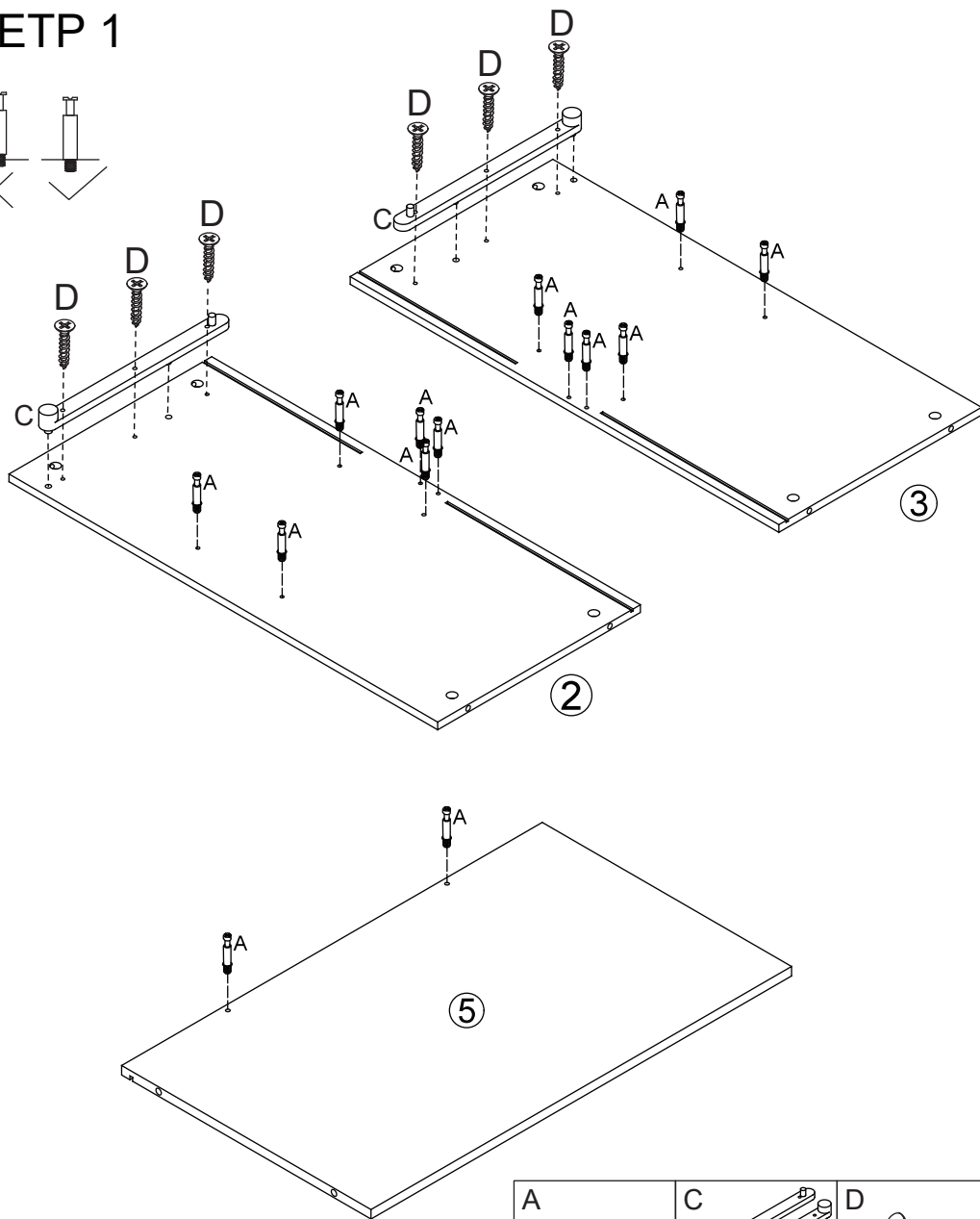
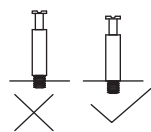
Not for children under 3 years old.

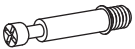
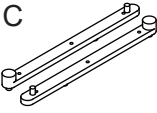

Warnings

- Tipping over the product may cause serious or fatal injuries.
- Stop using the product if any parts are missing or damaged.
- Children should only use the product under adult supervision. Do not allow children to climb or play on the product to prevent injury from tipping or breaking of the furniture.
- During assembly, keep all small parts out of the reach of children to avoid the risk of choking or suffocation.
- Keep all packaging materials (such as plastic film, bags, foam boards, etc.) out of the reach of children, especially toddlers and infants, to avoid potential hazards such as suffocation.

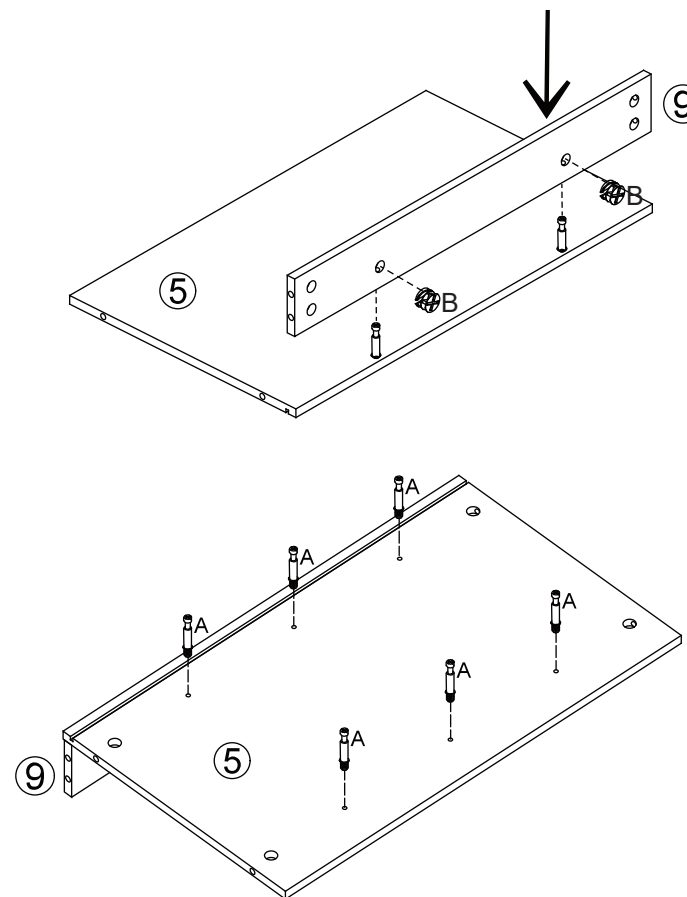
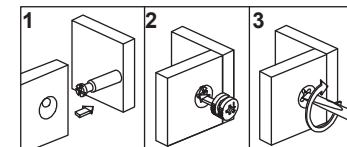
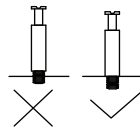
<p>A</p>  <p>Ø6x35mm X34+2 pcs</p>	<p>B</p>  <p>Ø15x9.5mm X34+2 pcs</p>	<p>C</p>  <p>x 1 pc</p>	<p>D</p>  <p>Ø3x16 mm x 6 pcs</p>	<p>E</p>  <p>Ø7x40 mm x 4 pcs</p>	<p>F</p>  <p>Ø3x12 mm x 4 pcs</p>
<p>G</p>  <p>Ø3.5x30mm x 3 pcs</p>	<p>H</p>  <p>x 4 pcs</p>	<p>J</p>  <p>J-1 J-2 x 8 PCS</p>	<p>K</p>  <p>K-1 K-2 x 2 pcs</p>	<p>L</p>  <p>L-1 L-2 x 2 pcs</p>	



STEP 1



<p>A</p>  <p>x 14 pcs</p>	<p>C</p>  <p>x 1 pc</p>	<p>D</p>  <p>Ø3x16 mm x 6 pcs</p>
---	---	---

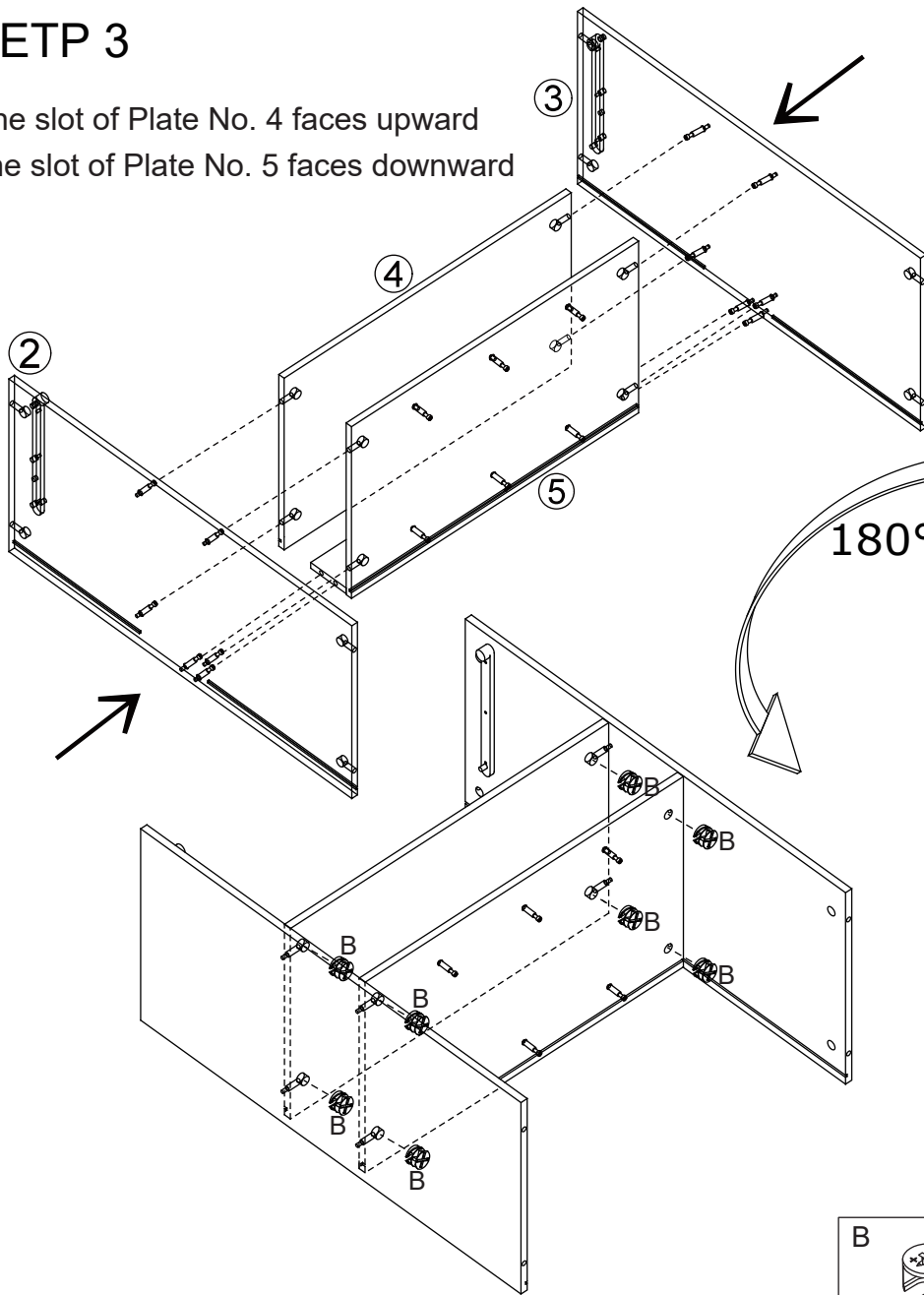
STEP 2



<p>B</p>  <p>Ø15x9.5mm x 2 pcs</p>	<p>A</p>  <p>x 6 pcs</p>
--	--


STEP 3

The slot of Plate No. 4 faces upward
The slot of Plate No. 5 faces downward



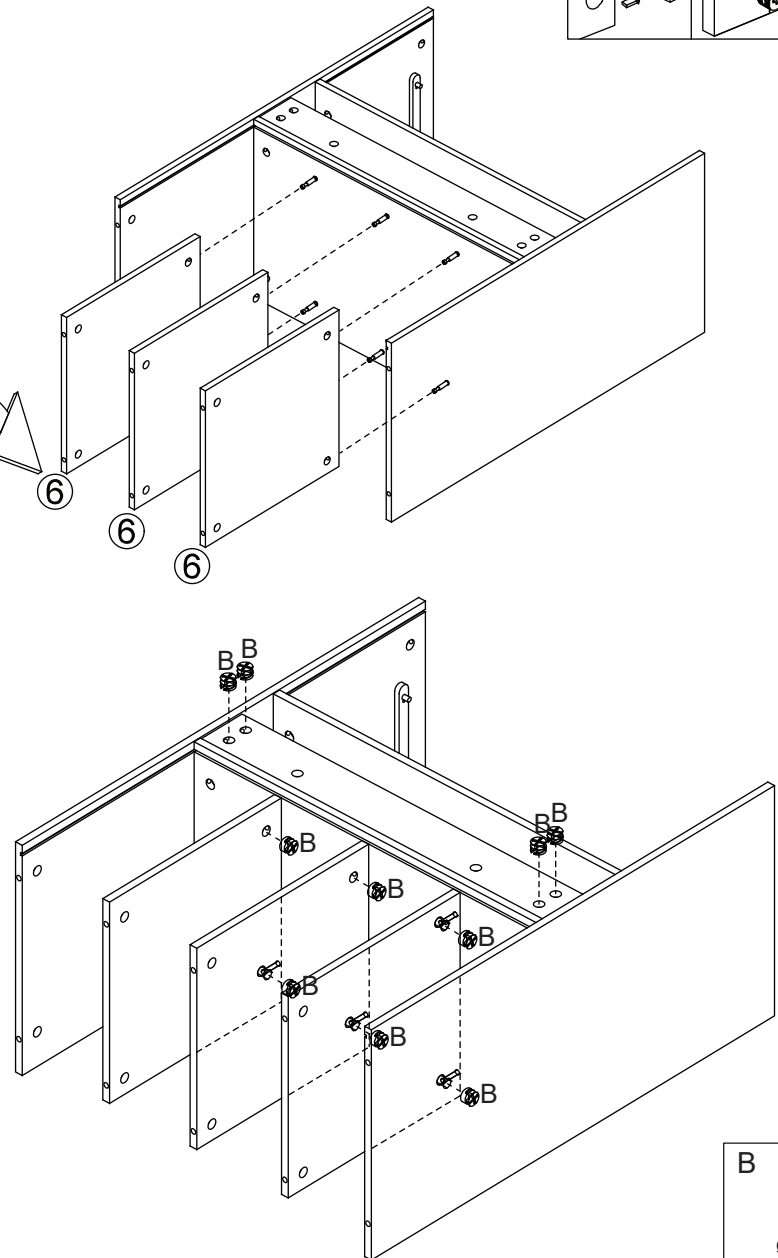
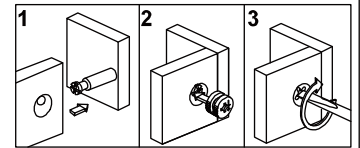
180°

B




Ø15x9.5mm
x 8 pcs

STEP 4



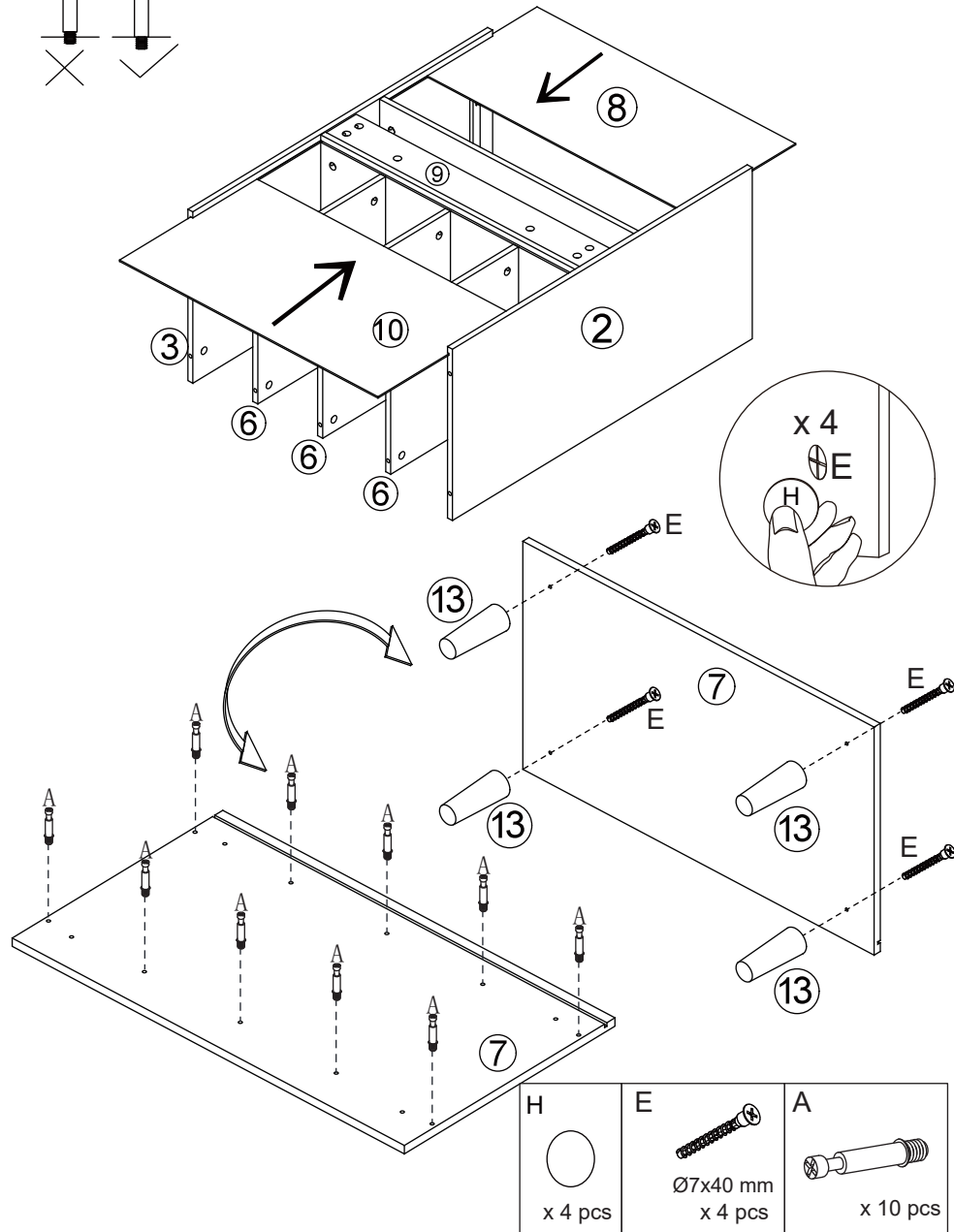
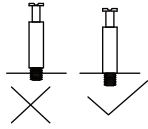
B



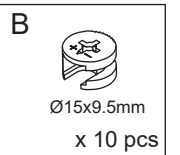
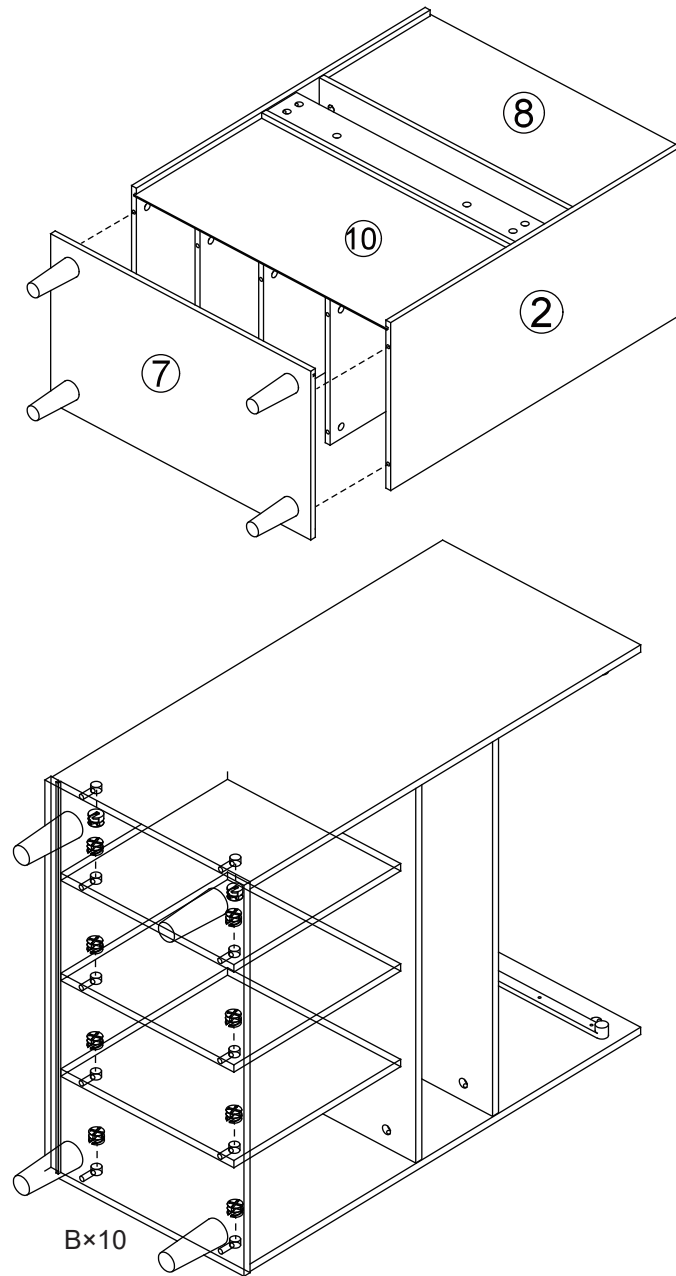
Ø15x9.5mm
x 10 pcs

SETP 5

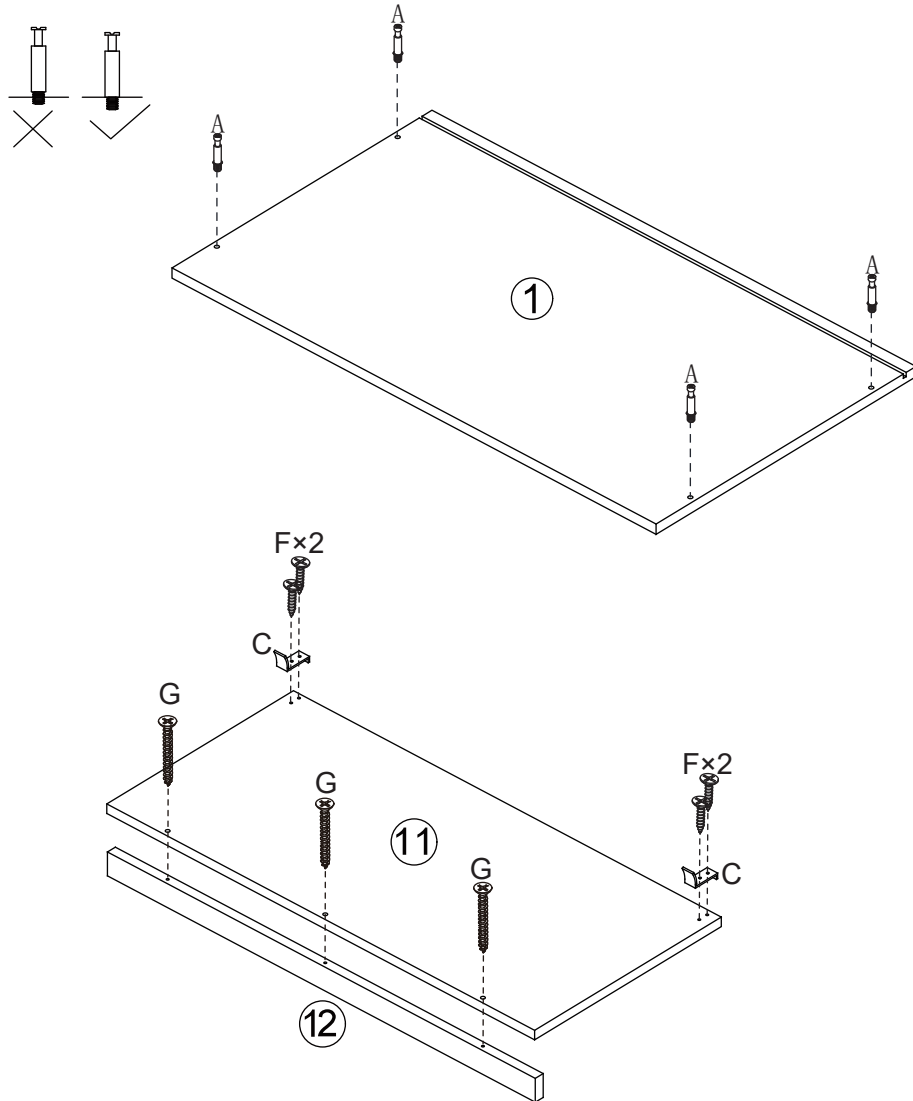
Install Backplates 8 and 10 securely into the slots to prevent gaps

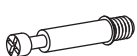
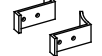
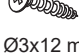



SETP 6

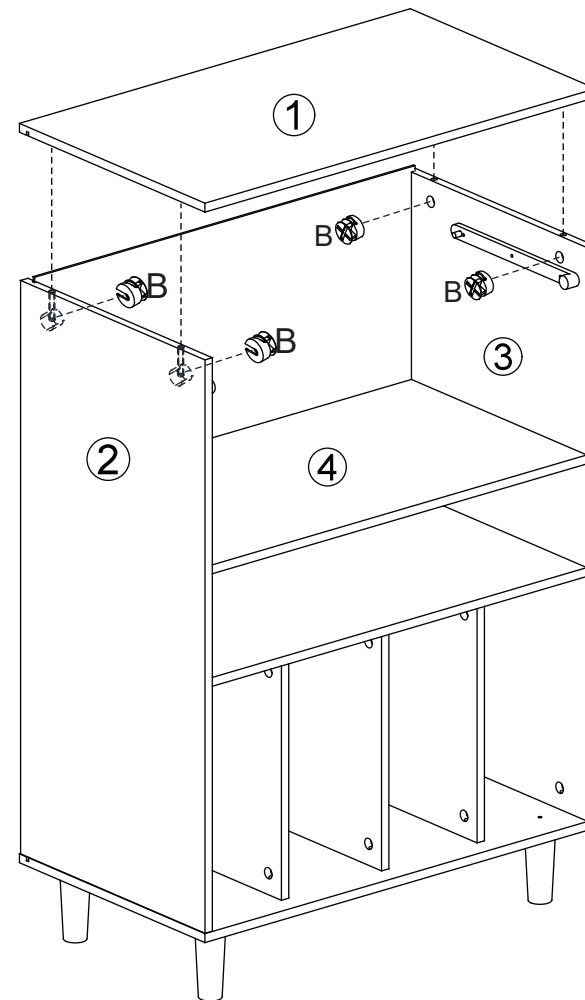



STEP 7



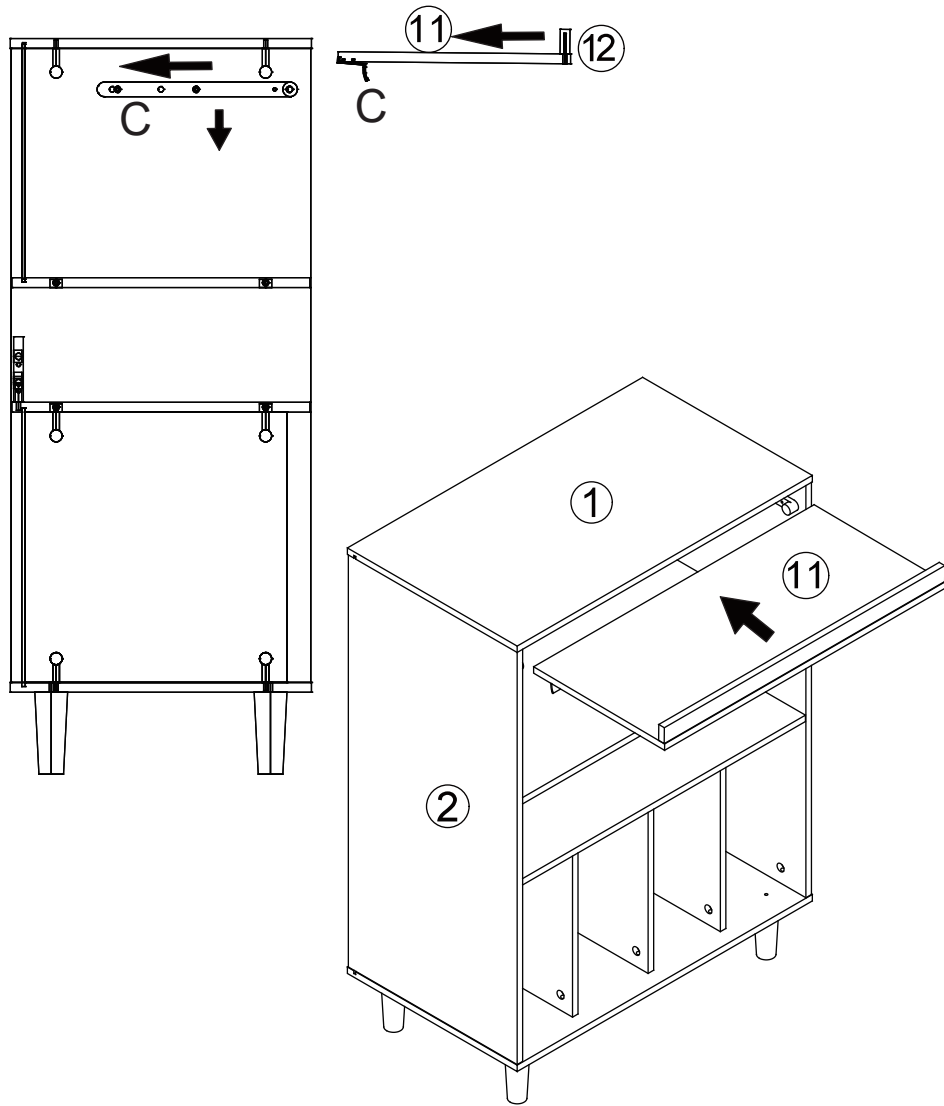
<p>A</p>  <p>x 4 pcs</p>	<p>C</p>  <p>x 1 pc</p>	<p>F</p>  <p>Ø3x12 mm x 4 pcs</p>	<p>G</p>  <p>Ø3.5x30mm x 3 pcs</p>
--	---	---	--

STEP 8

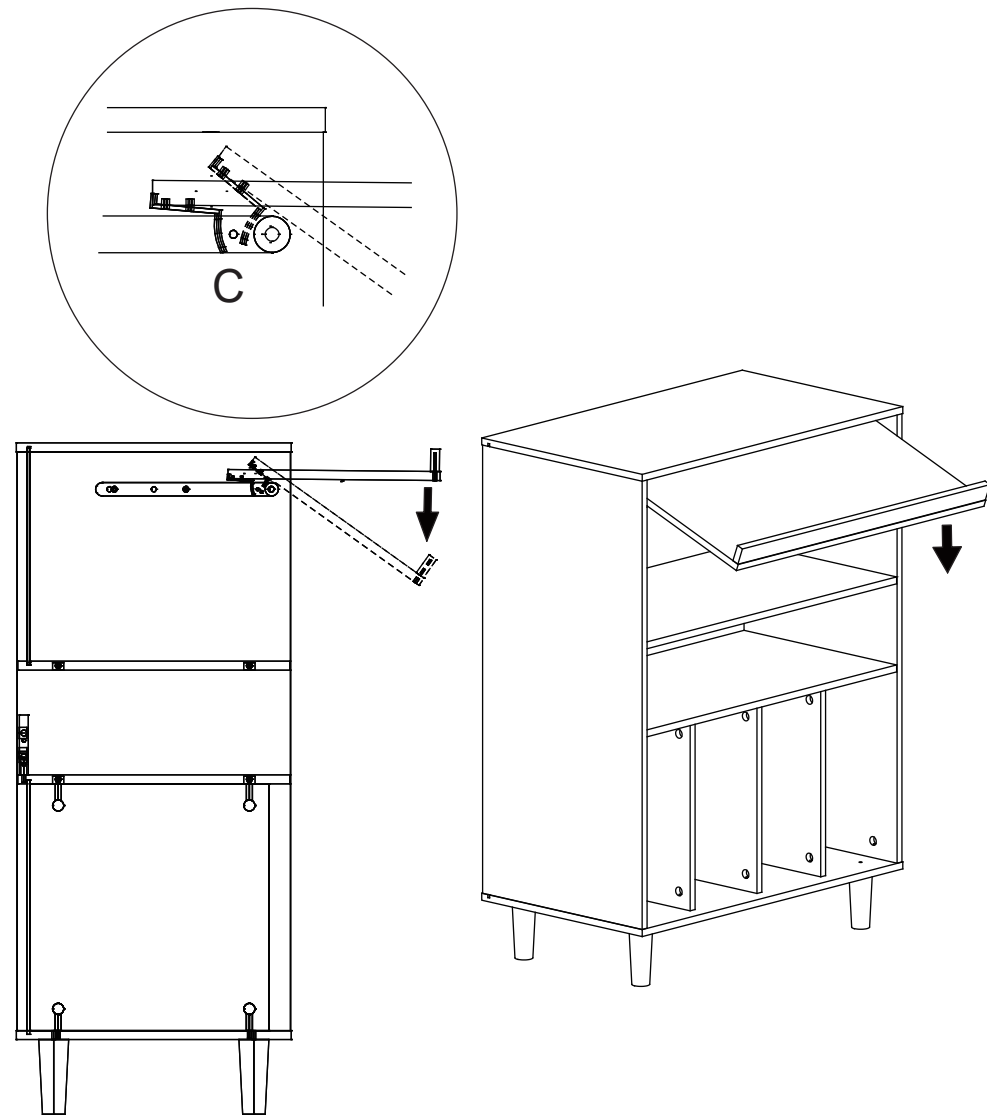


<p>B</p>  <p>Ø15x9.5mm x 4 pcs</p>
--

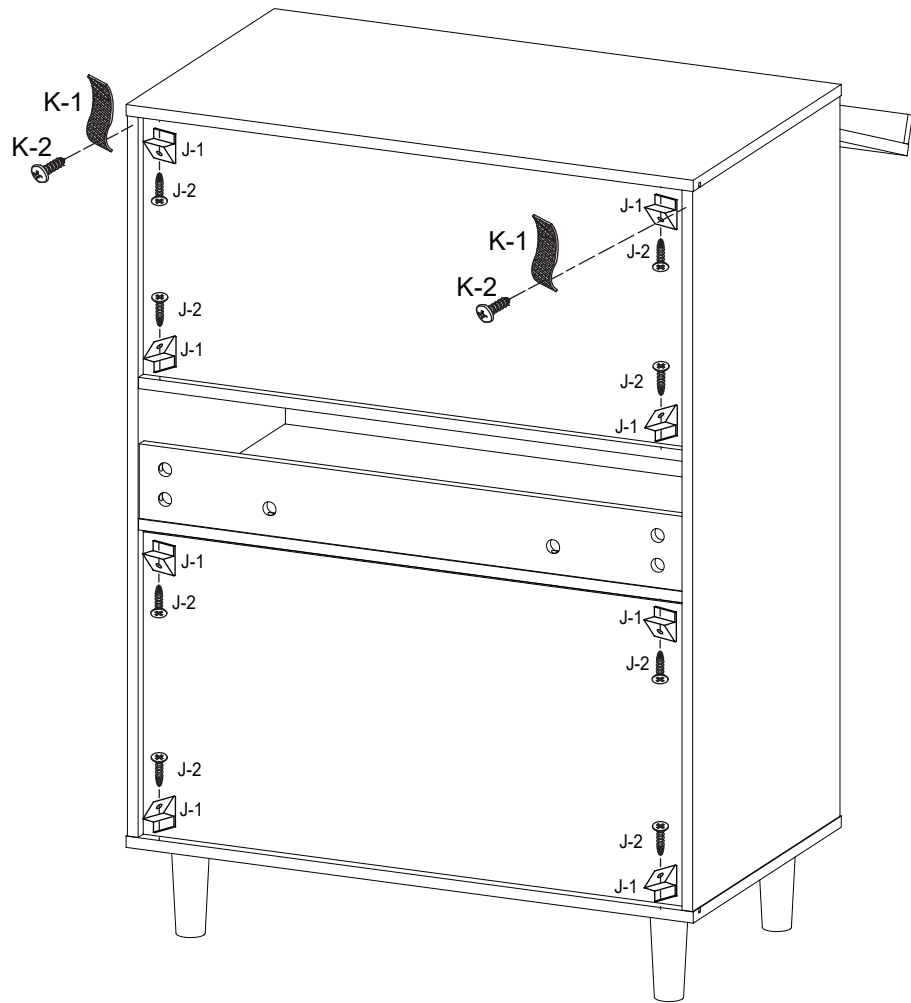
STEP 9





STEP 10

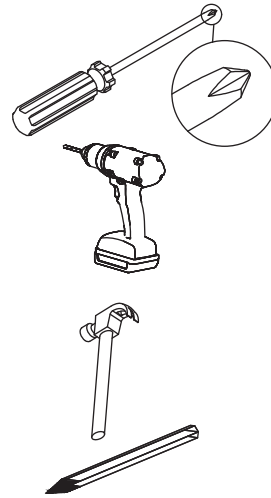


STEP 11




<p>J</p>  <p>J-1 J-2</p> <p>x 8 PCS</p>	<p>K</p>  <p>K-1 K-2</p> <p>x 2 pcs</p>
--	--

STEP 12



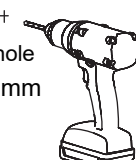
WALL



I x2

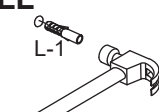
WALL

drilling hole
Ø6x30mm

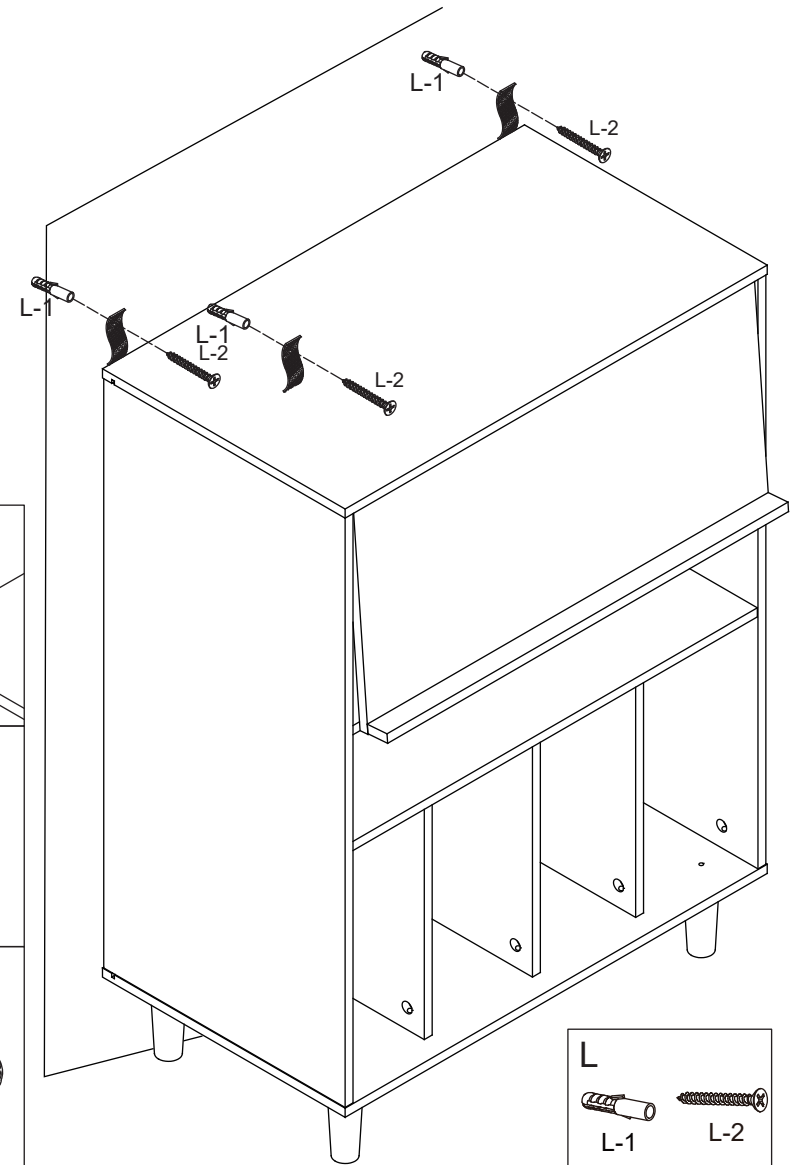


II x2


WALL



III x2



L



L-1 L-2

x 2 pcs