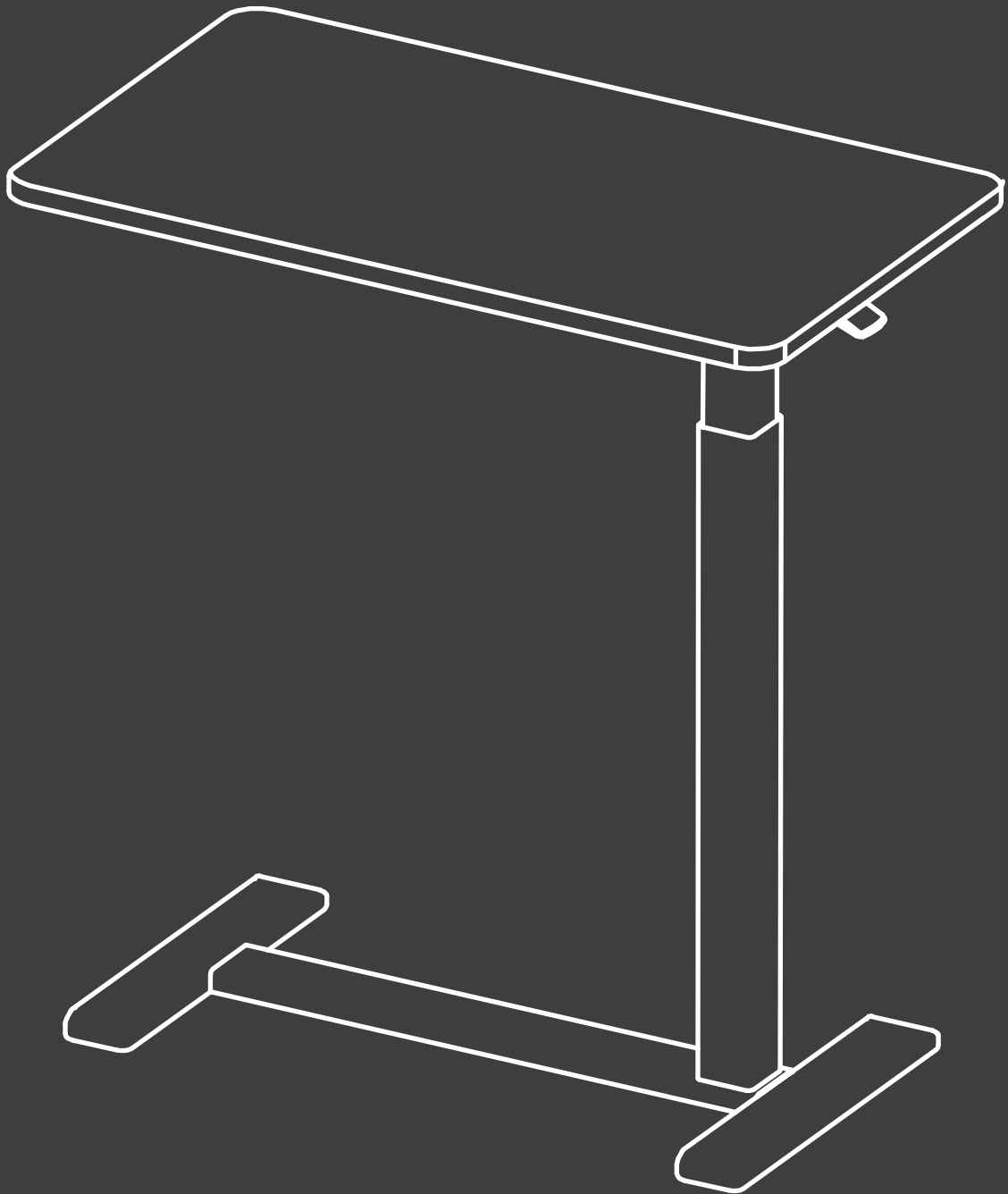


# Overbed Table

## Instruction Manual



# 1 Component List

**A** X1

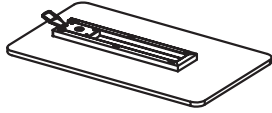
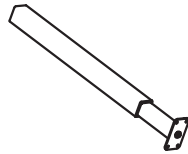


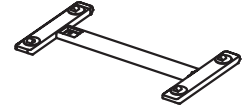
Table Board

**B** X1



Column

**C** X1



Bottom Bracket

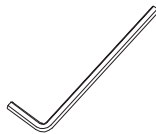
# 2 Supplied Parts and Hardware

**1** X9



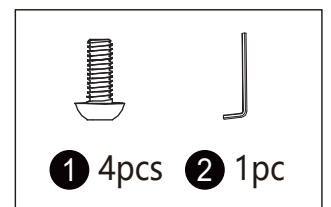
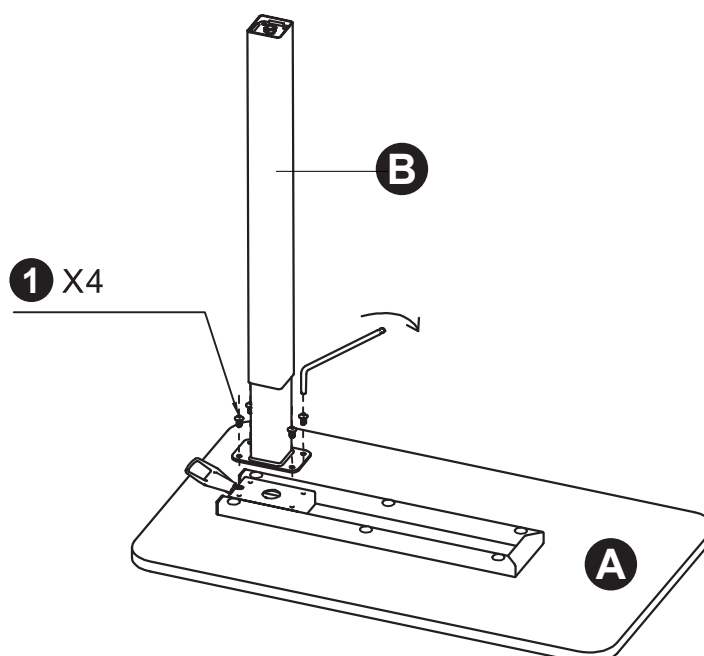
Screw  
M6\*16

**2** X1



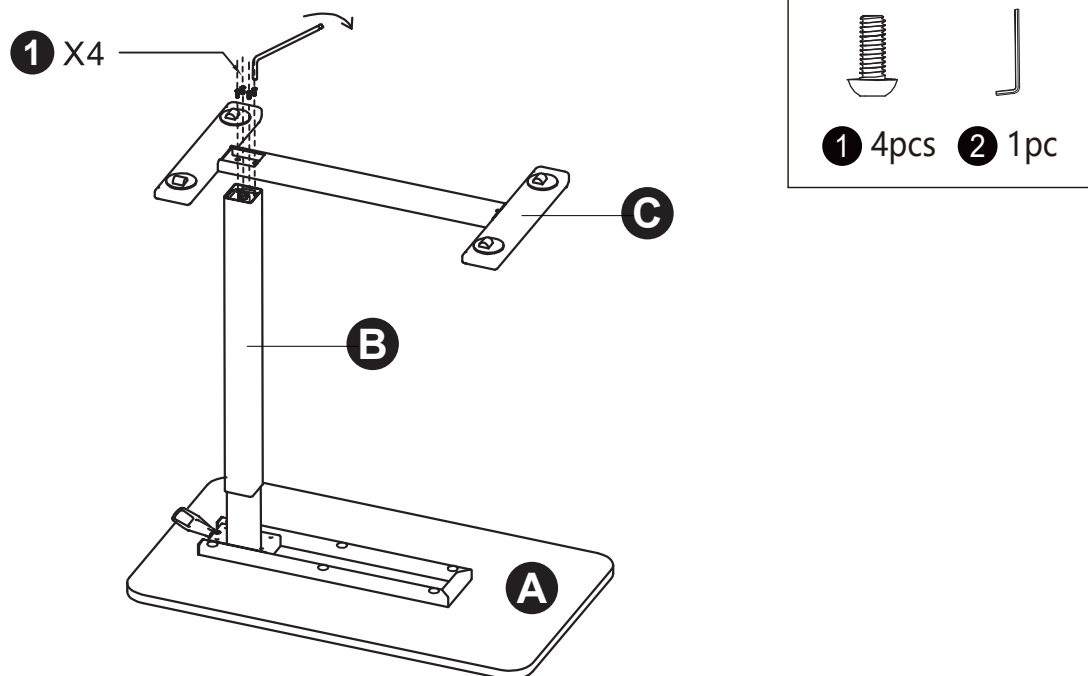
Wrench

## Step 1



Use Wrench ② and Screws ①\*4 to connect Column B and Table Board A.

## Step 2



Use Wrench ② and Screws ①\*4 to connect Column B and Bottom Bracket C.

## Step 3

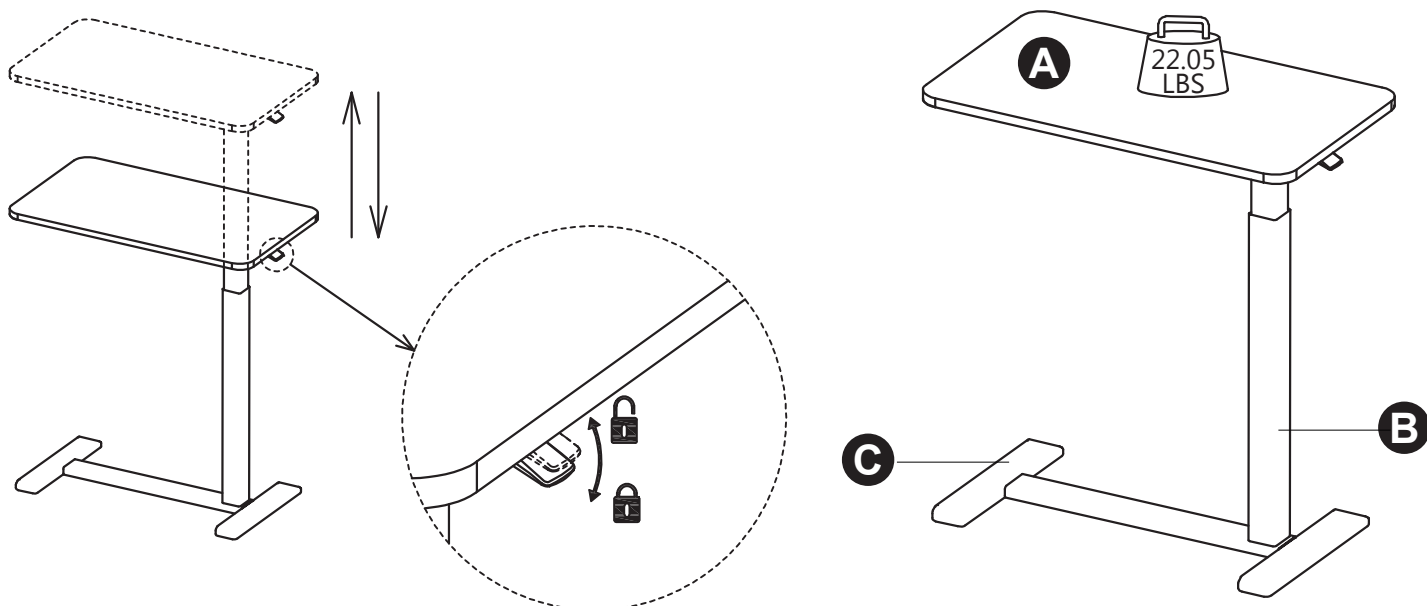


Table height can be adjusted by adjusting the lift handle.

**NOTE** : Maximum load capacity is 22.05 lbs.

