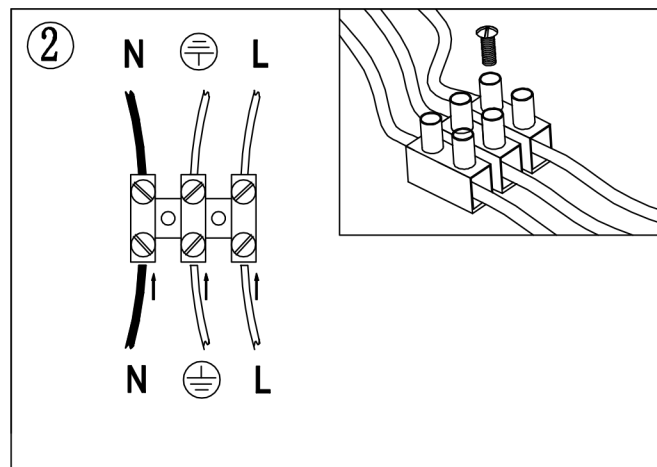
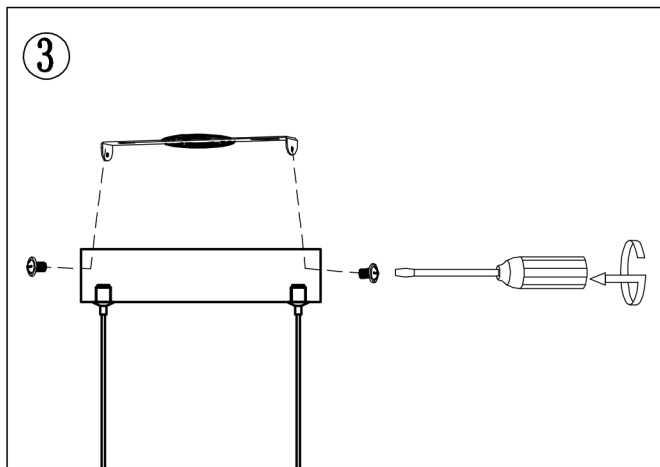


1. Install the ceiling-mount plate on the ceiling by using screws as drawing ① showing.



2. Connect the electronic wire as drawing ② showing.



3. Install the ceiling pan with the wall-mount plate on the ceiling by using screws as drawing ③ showing.

