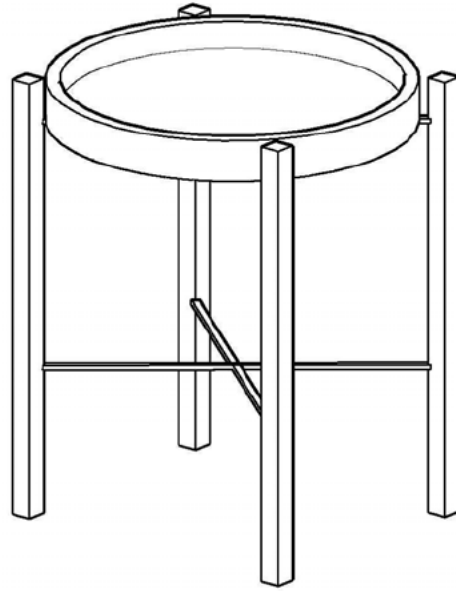


# Assembly Instructions

**Caution: You must read this before you proceed.**

## END TABLE

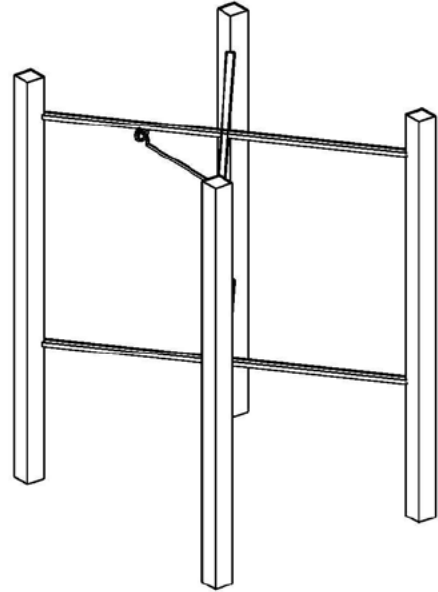
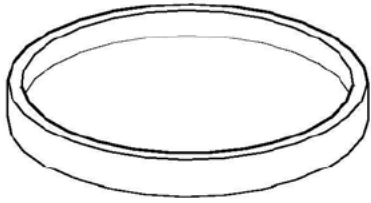


## Parts List

Label	Picture	Description	QTY
A		Tray Top	1
B		Iron Base	1

# Assembly Preparation

Before Beginning Assembly



- Read instructions, cover to cover-



- Have 2 adults on hand for assembly-



- Do not assemble on flooring or carpet-



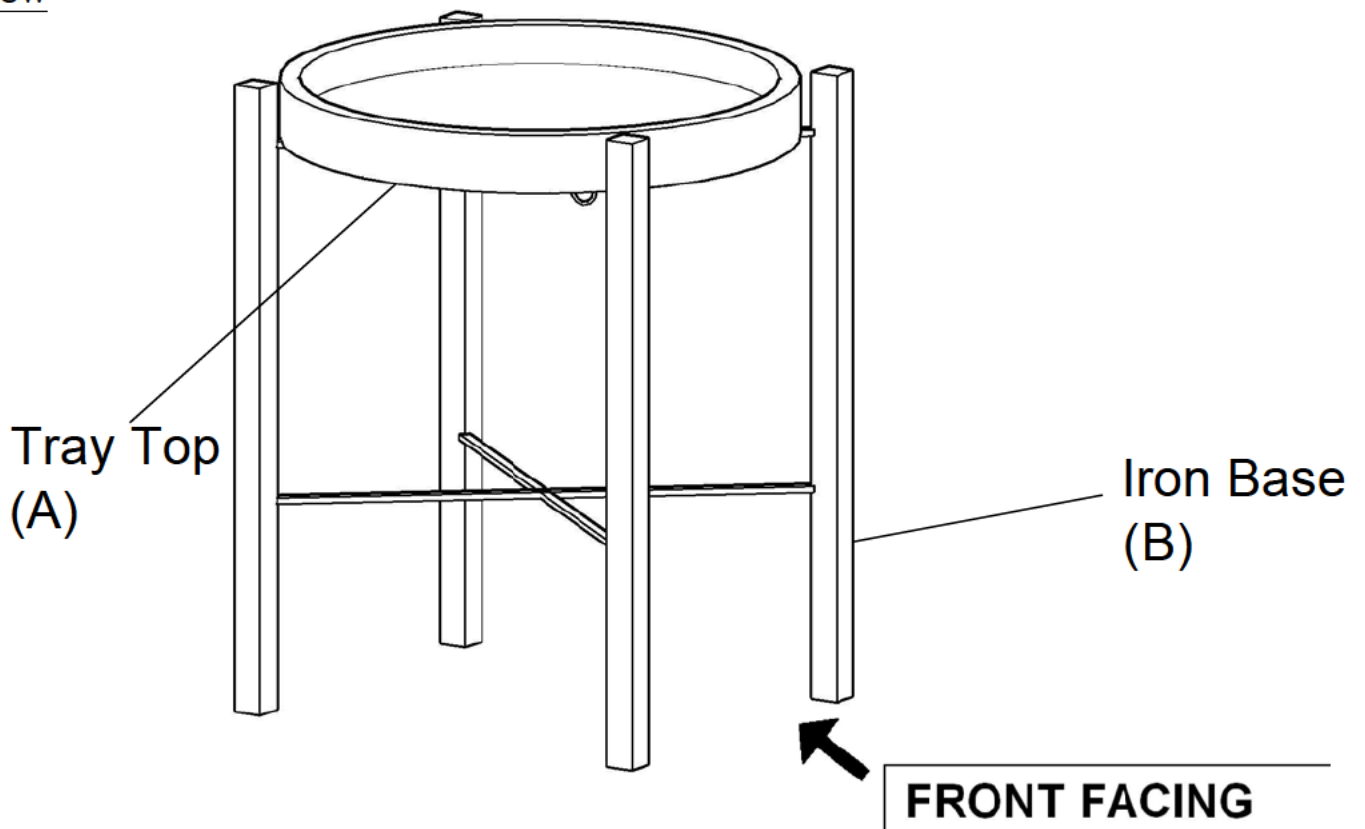
- Assemble on a clean non-marring surface (packing foam)-



- Save all packaging until finished-

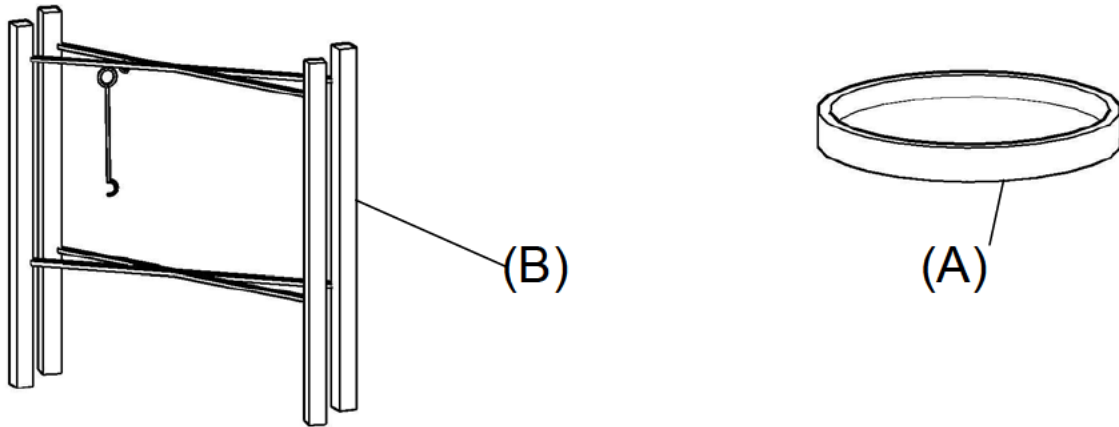
# Assembly Steps

Overview



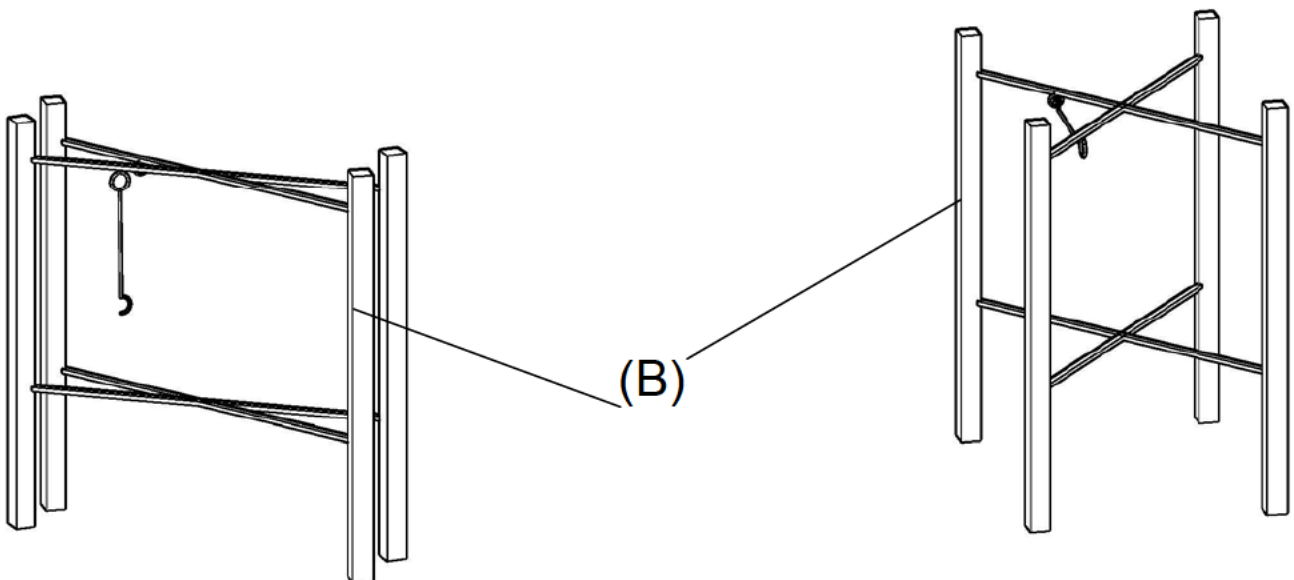
This Tray Table has multiple parts and may require up to some 30 minutes to assemble. To give you an overview of the Tray Table parts, the above picture is to help you put the various parts into perspective. Please read through the instructions below to familiarise yourself with the parts and steps before assembly.

### Step 1



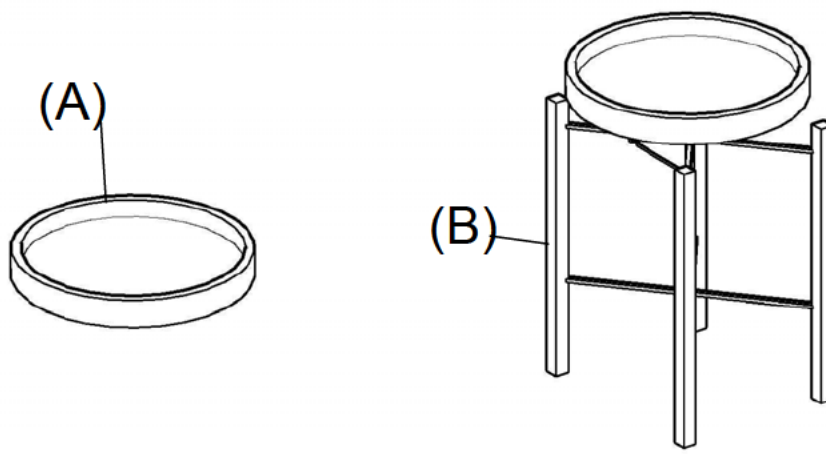
Unpack and place all parts on a clean, non-marring surface.

### Step 2



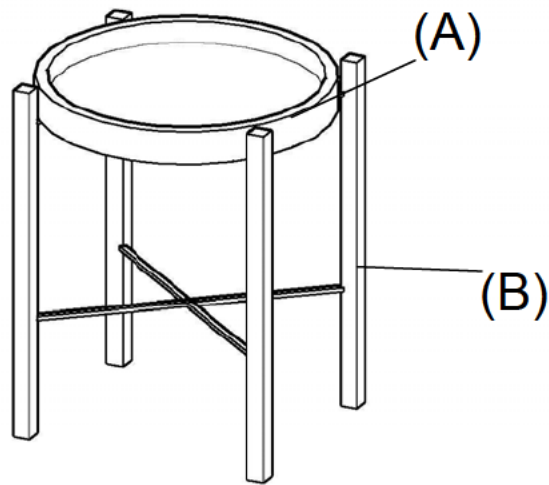
Hold up the collapsible Iron Base (B) as shown above and fix it with attached latch

### Step 3



Place the wooden Tray Top (A) on the Iron Base (B) as shown above.

### Step 4



Place the Tray Table on **LEVEL SURFACE ONLY**.  
This Tray Table is now ready to use.

## Care & Maintenance



- Furniture may scratch floors. We recommend using furniture pads to protect your floors.



- Do not put hot items directly on furniture surface.



- Do not clean furniture with harsh cleansers or polish.



- Do not place furniture under direct sunlight.



- Do not place furniture near heating or cooling vents.



- Do not write on furniture without a padded barrier to protect the surface.



- Do not place furniture outside . For indoor use only.



- Not for commercial use. For residential use only.



- Stains may be removed with mild soap solution and damp cloth.



- Children should not climb or jump on the furniture.



- Dust and pick-up spills using a clean, non-colored, lint-free cloth.