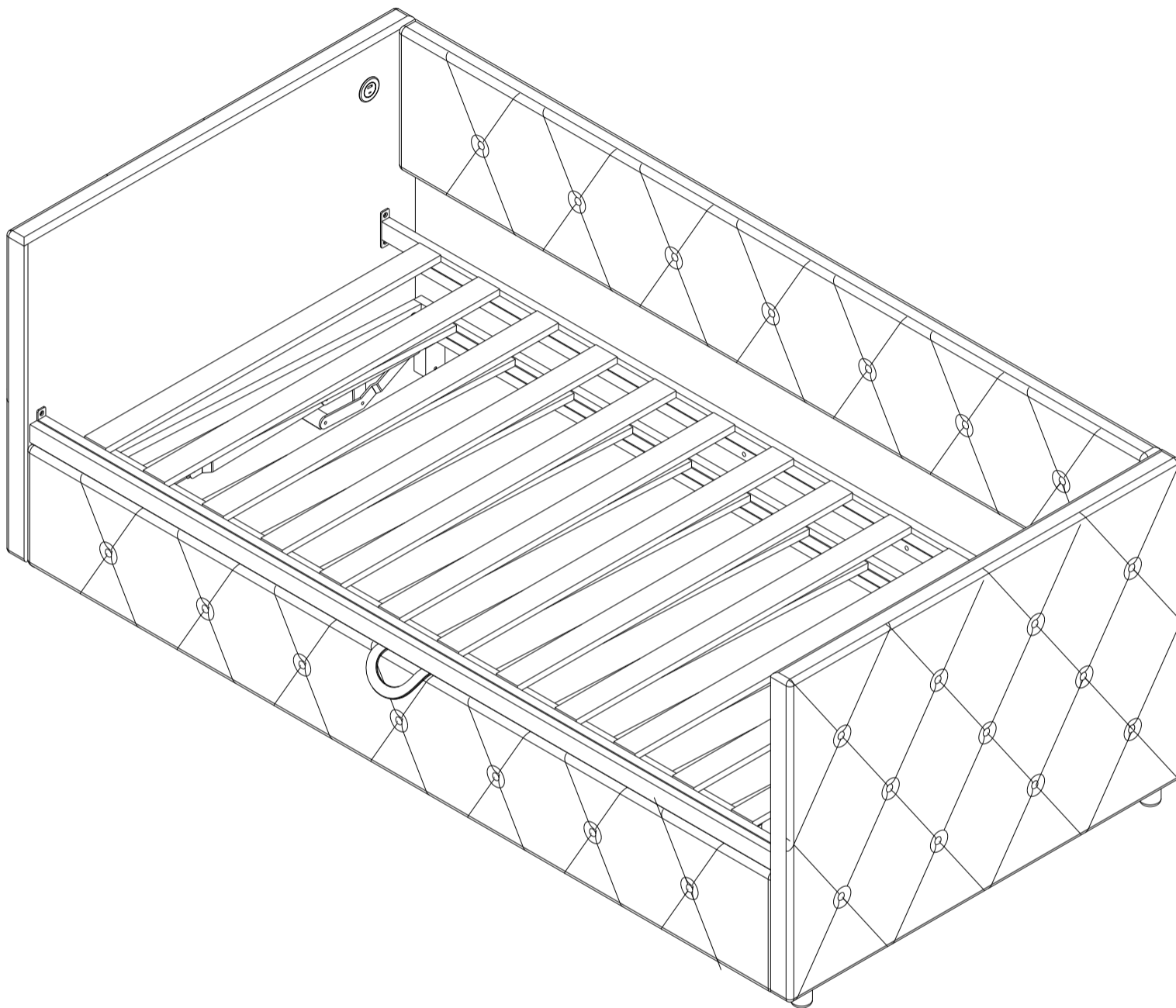


# Montageanleitung | Instructions de montage Assembly Instructions | Instrucciones de montaje



**GB** This set comes in 2 boxes. If you do not receive a full set of 2 boxes, please contact our customer service.

**DE** Dieses Set wird in 2 Schachteln geliefert. Wenn Sie nicht ein komplettes Set von 2 Boxen erhalten, kontaktieren Sie bitte unseren Kundenservice.

**FR** Ce set est livré en 2 boîtes. Si vous ne recevez pas un jeu complet de 2 boîtes, veuillez contacter notre service clientèle.

## English

### IMPORTANT ! KEEP FOR FUTURE REFERENCE : READ CAREFULLY

- To be assembled by an adult. Assembly must be checked by an adult before use
- WARNING ! Keep all screws, small parts and plastic bags out of the reach of children
- Properly identify all parts before assembling
- Never use your item if any of its parts are broken or missing
- Should any problems arise, please contact our After Sales Service
- Manufacturer's instructions shall be followed at all times
- Care: Clean with a soft, dry cloth. In case of larger stains, carefully rub with a slightly damp, non-abrasive sponge
- Avoid the risk of fire by not placing furniture near sources of ignition or hot items
- Do not jump on the bed

## Deutsch

### WICHTIG ! ZUM SPÄTEREN NACHSCHLAGEN AUFBEWAHREN: SORGFÄLTIG LESEN

- Muss von einem Erwachsenen zusammengebaut werden. Der Zusammenbau muss vor dem Gebrauch von einem Erwachsenen überprüft werden
- WARNUNG! Bewahren Sie alle Schrauben, Kleinteile und Plastikbeutel außerhalb der Reichweite von Kindern auf
- Kennzeichnen Sie vor dem Zusammenbau alle Teile richtig
- Benutzen Sie Ihren Artikel niemals, wenn Teile gebrochen sind oder fehlen
- Sollten Probleme auftreten, wenden Sie sich bitte an unseren Kundendienst
- Die Anweisungen des Herstellers sind stets zu befolgen
- Pflege: Mit einem weichen, trockenen Tuch reinigen. Bei größeren Flecken vorsichtig mit einem leicht feuchten, nicht scheuernden Schwamm abreiben. nicht scheuernden Schwamm
- Vermeiden Sie die Gefahr eines Brandes, indem Sie die Möbel nicht in der Nähe von Zündquellen oder heißen Gegenständen aufstellen
- Nicht auf das Bett springen

## Français

### IMPORTANT ! CONSERVER POUR RÉFÉRENCE ULTÉRIEURE : LIRE ATTENTIVEMENT

- Le montage doit être effectué par un adulte. Le montage doit être vérifié par un adulte avant Utilisation
- ATTENTION ! Tenir les vis, les petites pièces et les sachets en plastique hors de portée des enfants
- Identifiez correctement toutes les pièces avant de les assembler
- N'utilisez jamais votre article si l'une de ses pièces est cassée ou manquante
- En cas de problème, veuillez contacter notre service après-vente
- Les instructions du fabricant doivent être respectées à tout moment
- Entretien : nettoyer avec un chiffon doux et sec. En cas de taches plus importantes, frotter soigneusement avec une éponge non abrasive légèrement humide. légèrement humide et non Abrasive
- Évitez les risques d'incendie en ne plaçant pas les meubles à proximité de sources d'inflammation ou d'objets chauds
- Ne pas sauter sur le lit

## Italiano

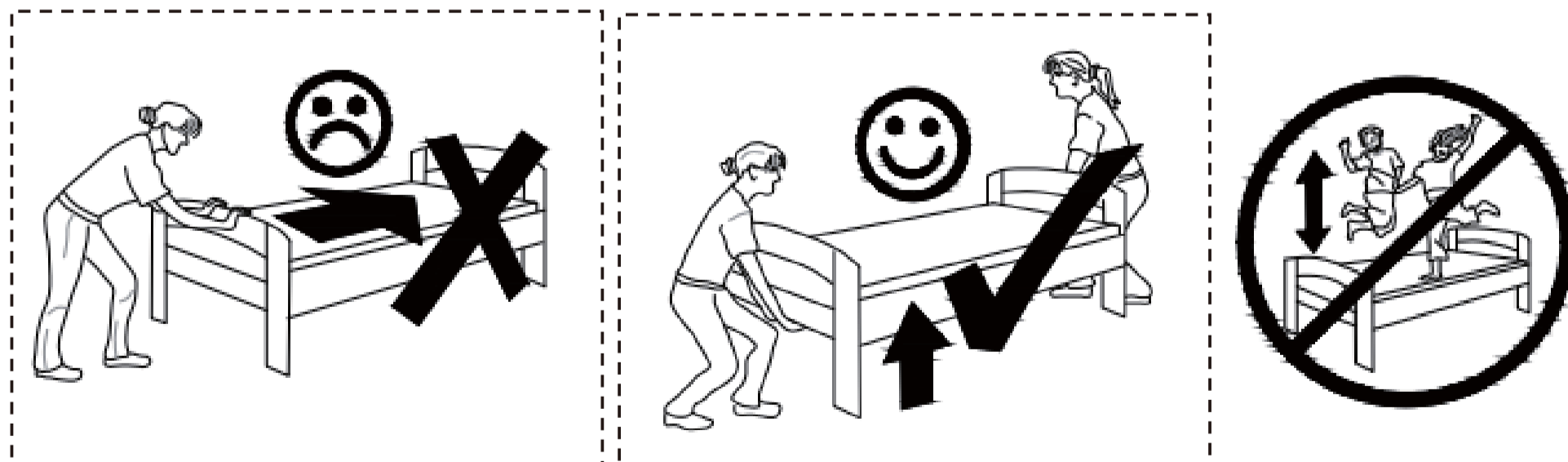
### IMPORTANTE! CONSERVARE PER RIFERIMENTO FUTURO: LEGGERE ATTENTAMENTE

- Deve essere assemblato da un adulto. L'assemblaggio deve essere controllato da un adulto prima dell'uso
- **ATTENZIONE!** Tenere tutte le viti, le piccole parti e i sacchetti di plastica fuori dalla portata dei bambini
- Identificare correttamente tutte le parti prima dell'assemblaggio
- Non utilizzare mai l'articolo se alcune parti sono rotte o mancanti
- In caso di problemi, si prega di contattare il nostro Servizio Post Vendita
- Le istruzioni del produttore devono essere sempre seguite
- Cura: Pulire con un panno morbido e asciutto. In caso di macchie più estese, strofinare accuratamente con una spugna leggermente umida e non spugna leggermente umida e non abrasiva
- Evitare il rischio di incendio, non collocando i mobili vicino a fonti di accensione o a oggetti caldi
- Non saltare sul letto

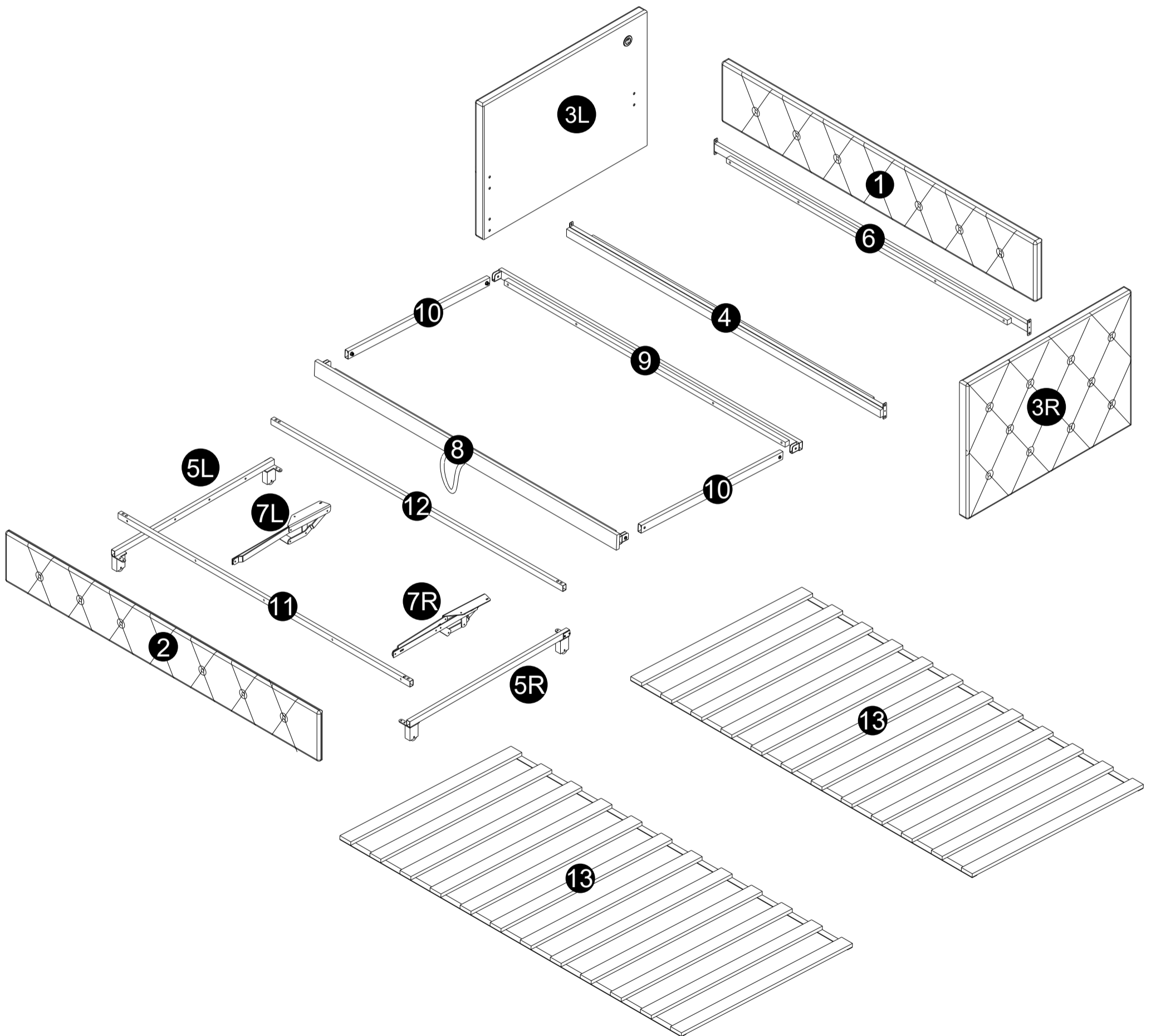
## Español

### ¡ IMPORTANTE ! CONSERVELO PARA FUTURAS CONSULTAS: LEA ATENTAMENTE

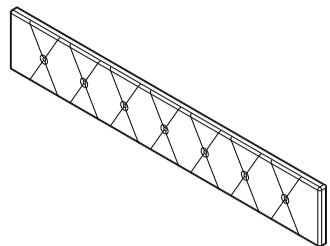
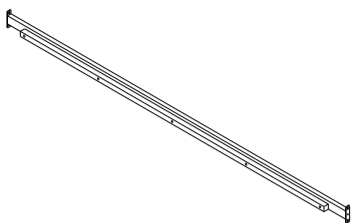
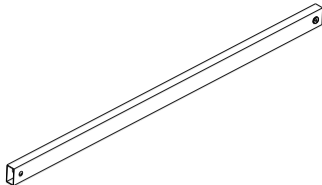
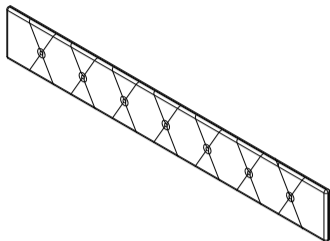
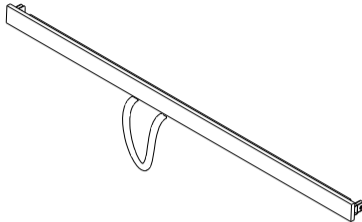
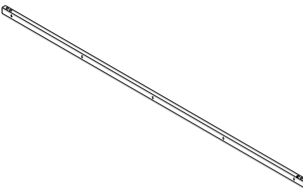
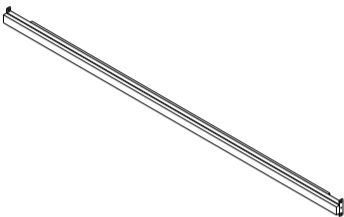
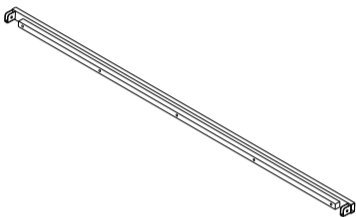
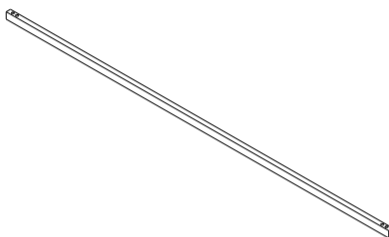
- Debe ser montado por un adulto. El montaje debe ser comprobado por un adulto antes del uso
- ADVERTENCIA Mantenga todos los tornillos, piezas pequeñas y bolsas de plástico fuera del alcance de los niños.
- Identifique correctamente todas las piezas antes de montarlas
  - Nunca utilice su artículo si alguna de sus piezas está rota o falta
  - Si surge algún problema, póngase en contacto con nuestro Servicio Postventa
  - Las instrucciones del fabricante deben seguirse en todo momento
  - Cuidado: Limpiar con un paño suave y seco. En caso de manchas más grandes, frote cuidadosamente con una esponja no abrasiva ligeramente humedecida.
  - Evite el riesgo de incendio no colocando los muebles cerca de fuentes de ignición u objetos calientes.
  - No saltar sobre la cama.



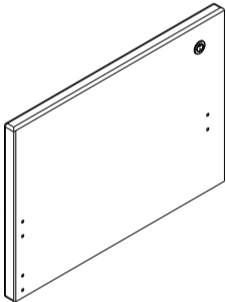
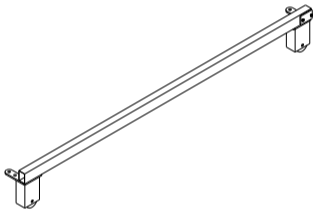
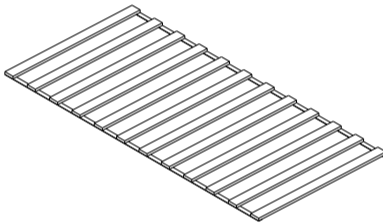
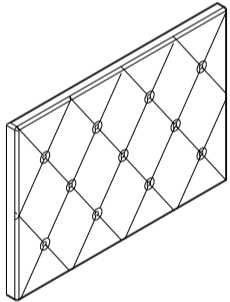
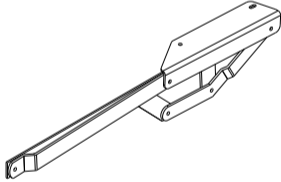
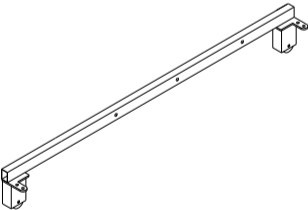
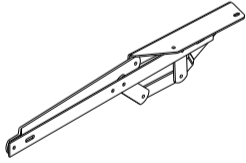
# Stückliste



# N601P228710

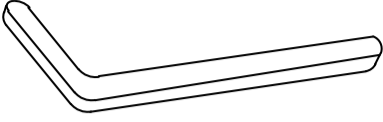
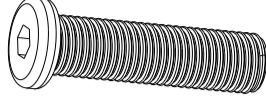
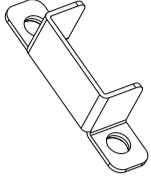
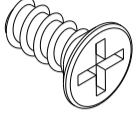
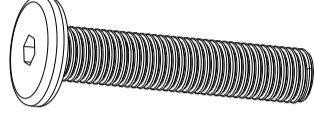
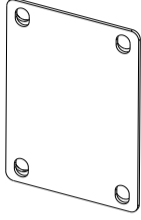
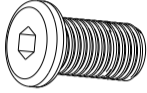
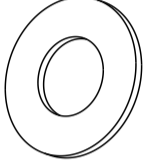


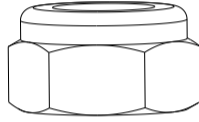

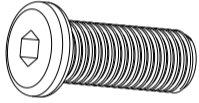
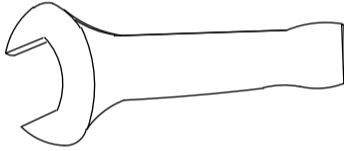
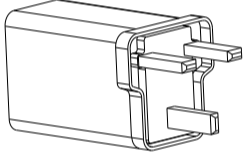
<b>1</b>		X1	<b>6</b>		X1	<b>10</b>		X2
<b>2</b>		X1	<b>8</b>		X1	<b>11</b>		X1
<b>4</b>		X1	<b>9</b>		X1	<b>12</b>		X1

# N601P228711

<b>3L</b>		X1	<b>5R</b>		X1	<b>13</b>		X2
<b>3R</b>		X1	<b>7L</b>		X1			
<b>5L</b>		X1	<b>7R</b>		X1			

# Hardware List-Hardware-Liste-Liste du matériel

## N601P228711

<b>A</b>		X1	<b>F</b>	 M8x30mm	X4	<b>L</b>		X2
<b>B</b>	 M4x10mm	X4	<b>G</b>	 M8x40mm	X8	<b>M</b>		X2
<b>C</b>	 M6x16mm	X10	<b>H</b>		X4	<b>N</b>		X4
<b>D</b>	 M6x35mm	X9	<b>J</b>	 M8	X4	<b>P</b>		X2
<b>E</b>	 M8x20mm	X20	<b>K</b>		X1	<b>Q</b>		X1

**1**

A x 1

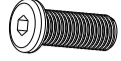


D x 4



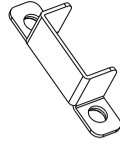
M6 x 35mm

E x 4

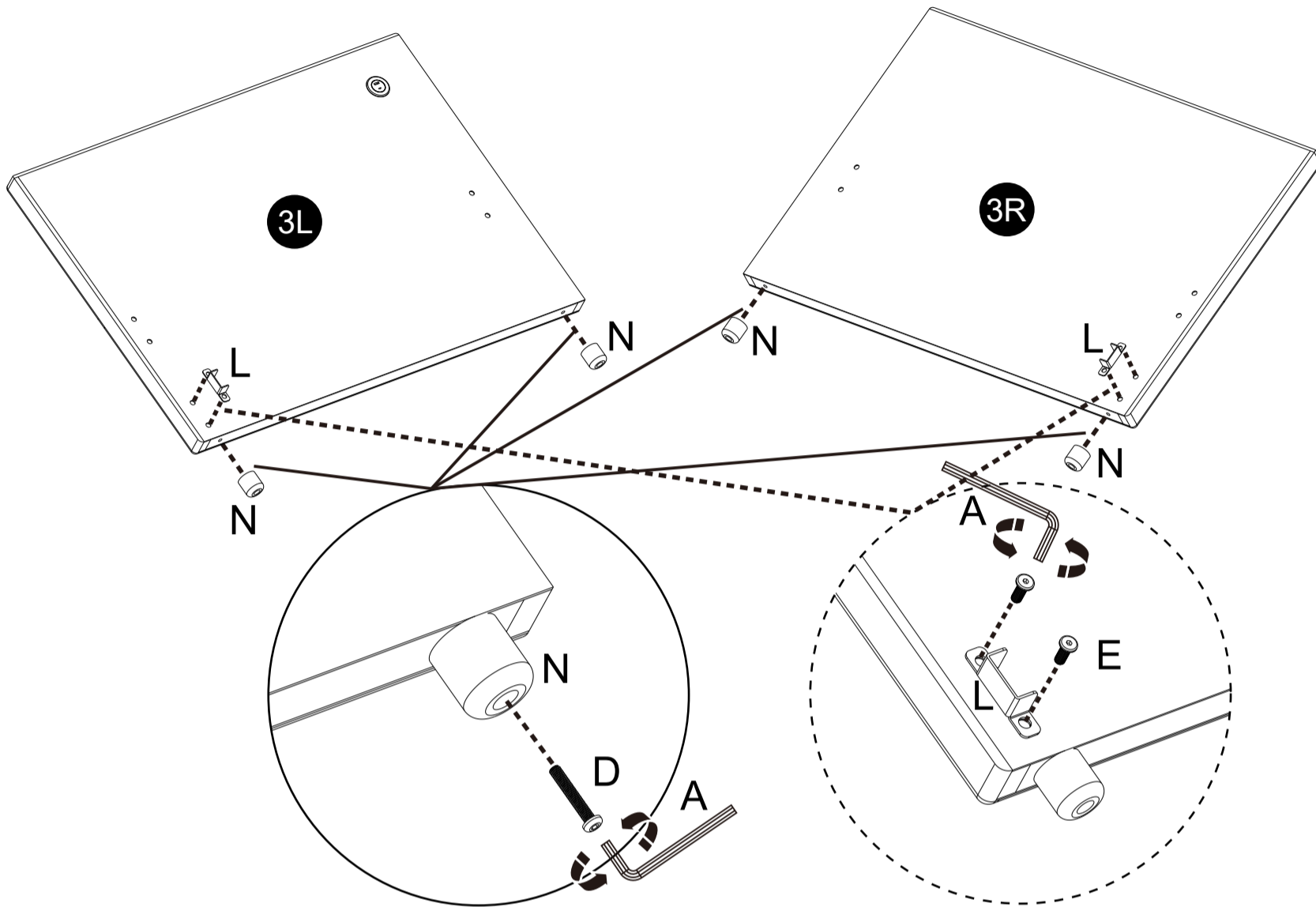
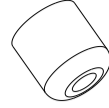


M8 x 20mm

L x 2



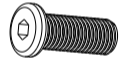
N x 4

**2**

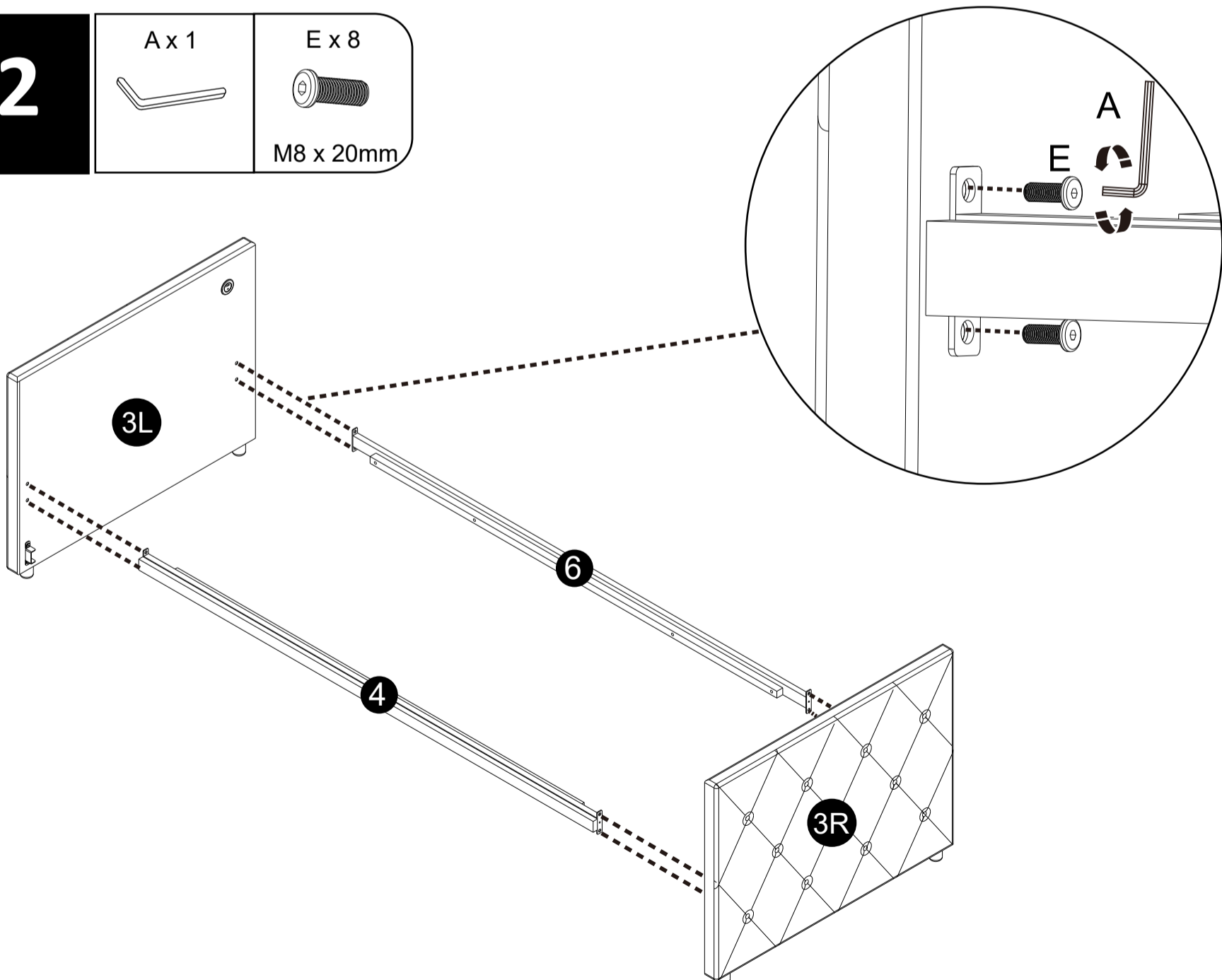
A x 1



E x 8



M8 x 20mm

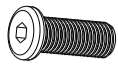


3

A x 1

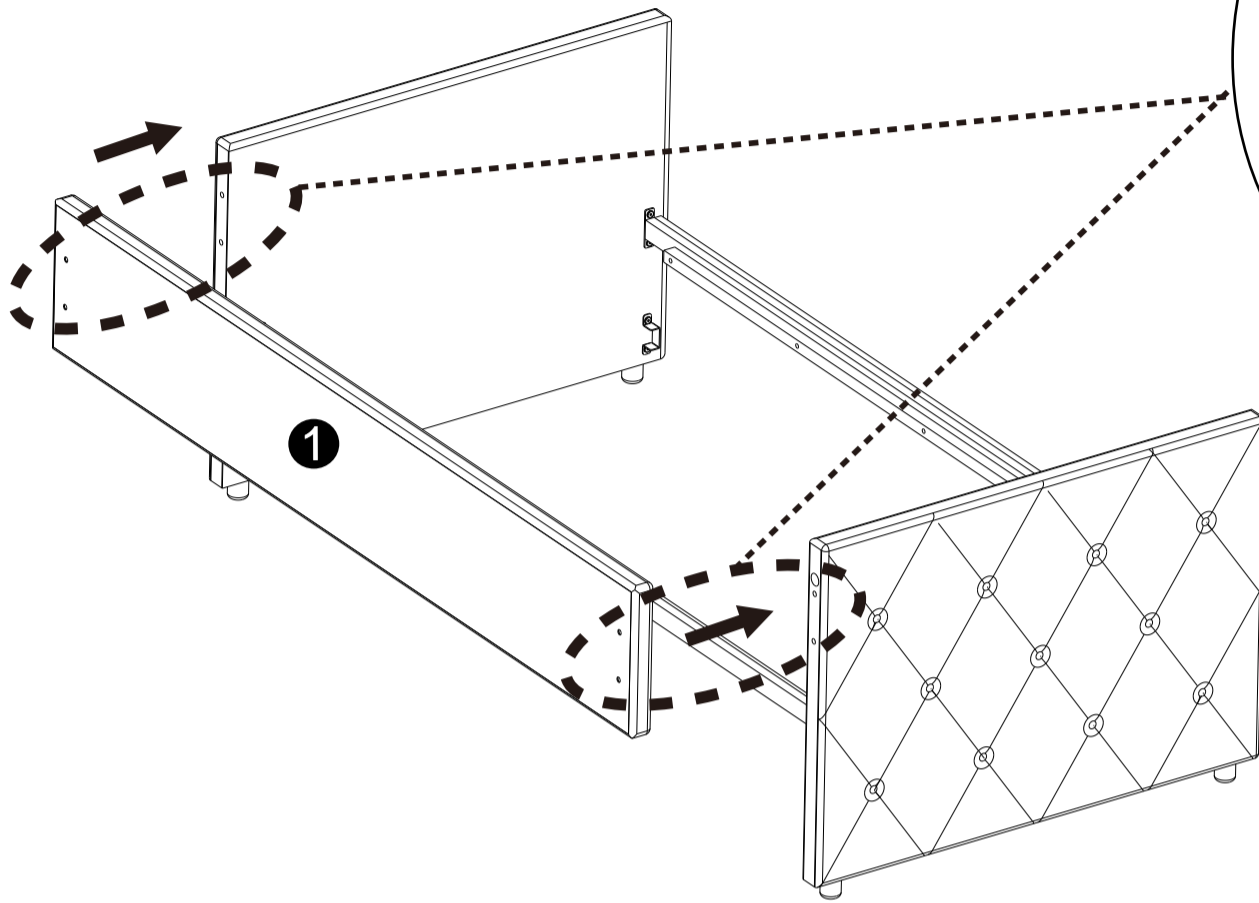
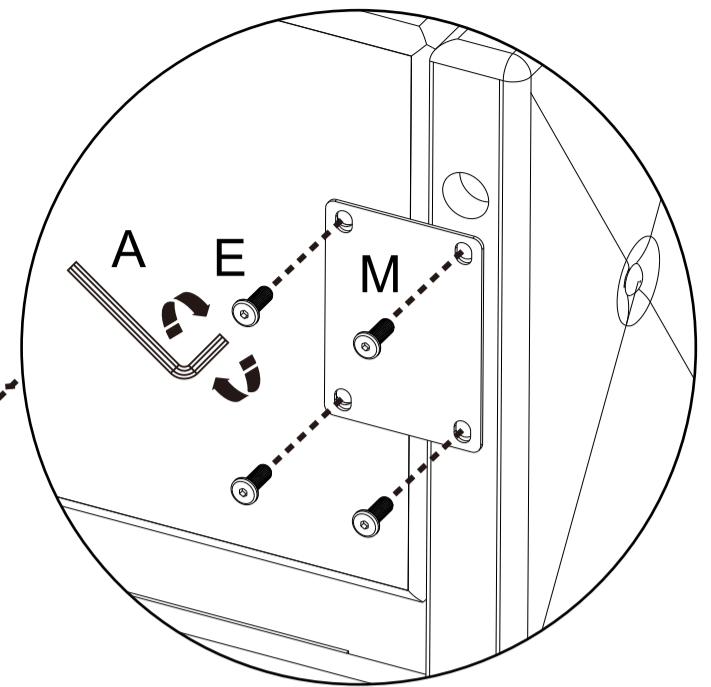
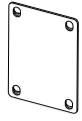


E x 8



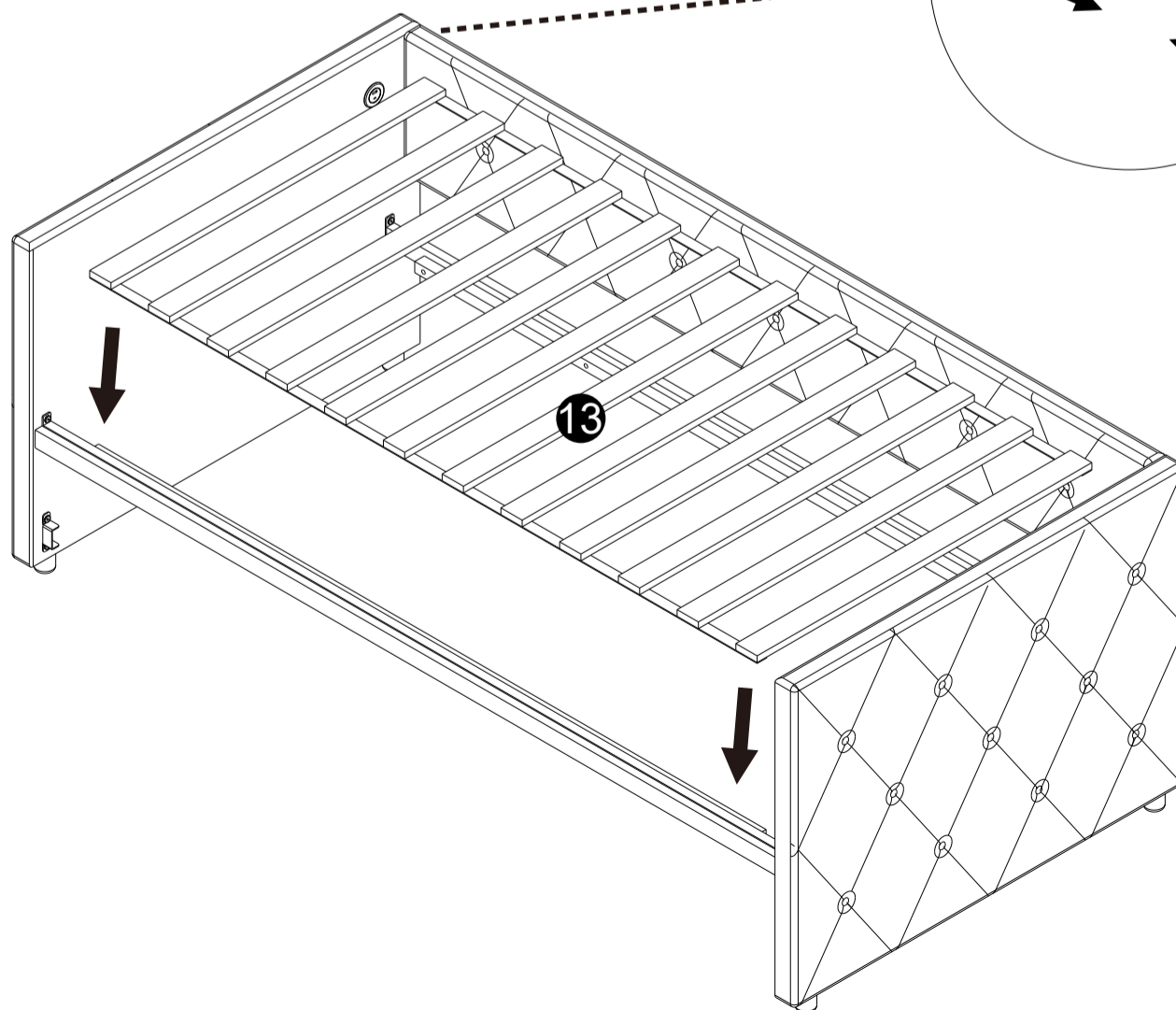
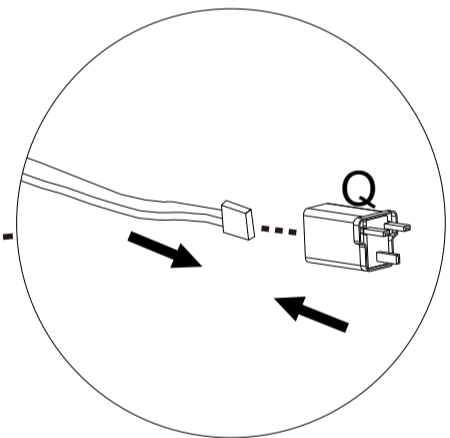
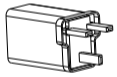
M8 x 20mm

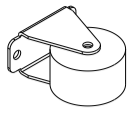
M x 2

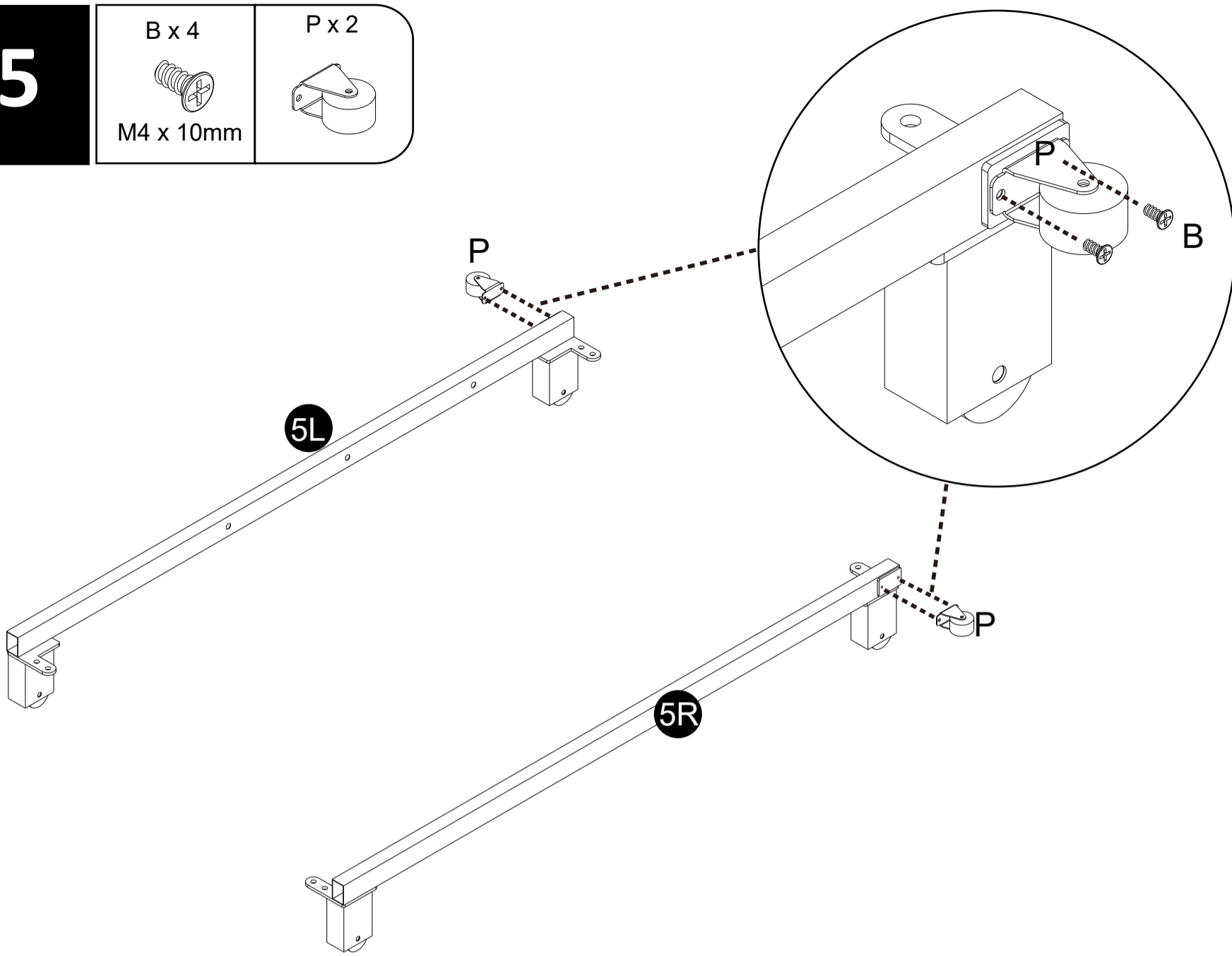



4

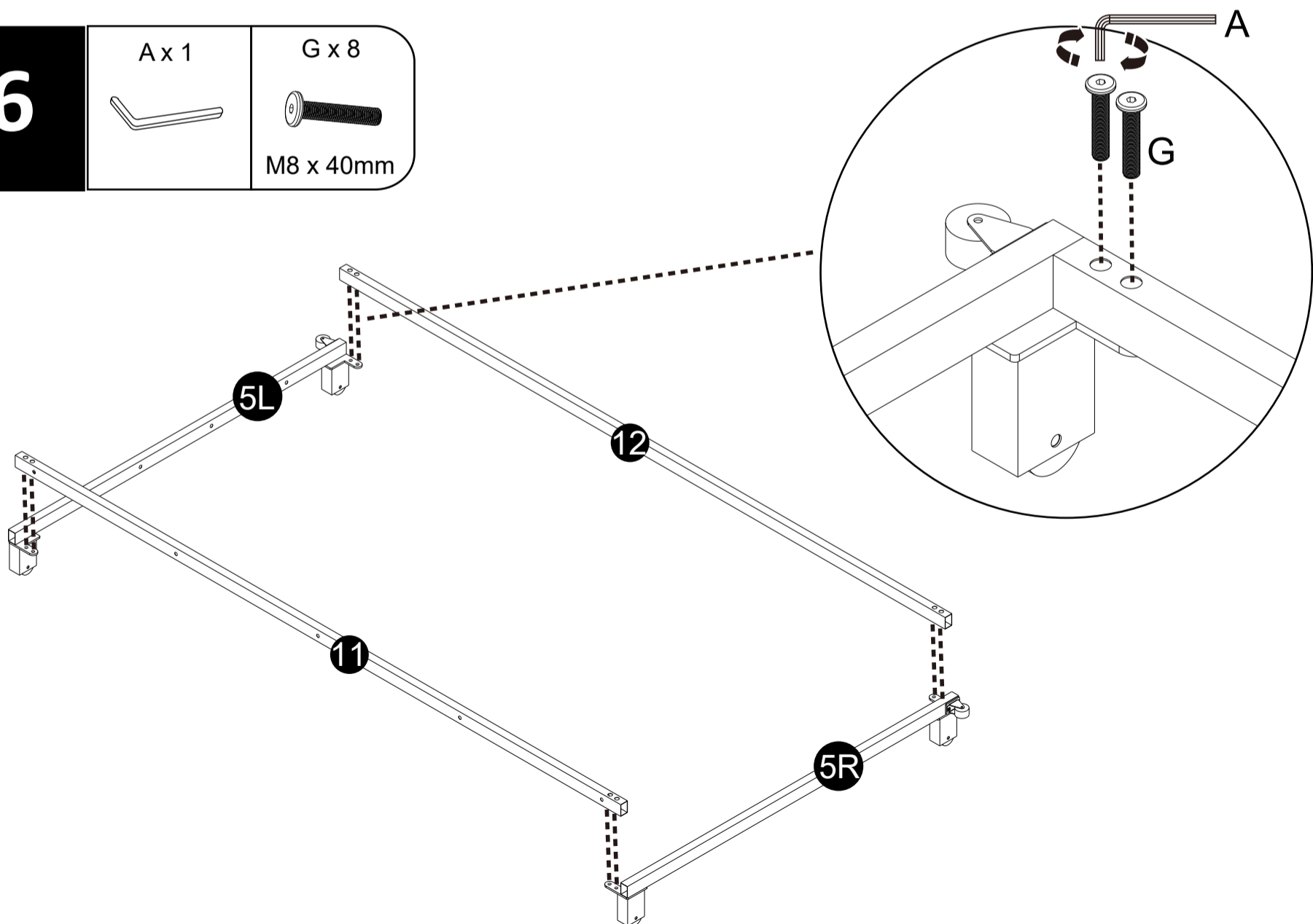
Q x 1





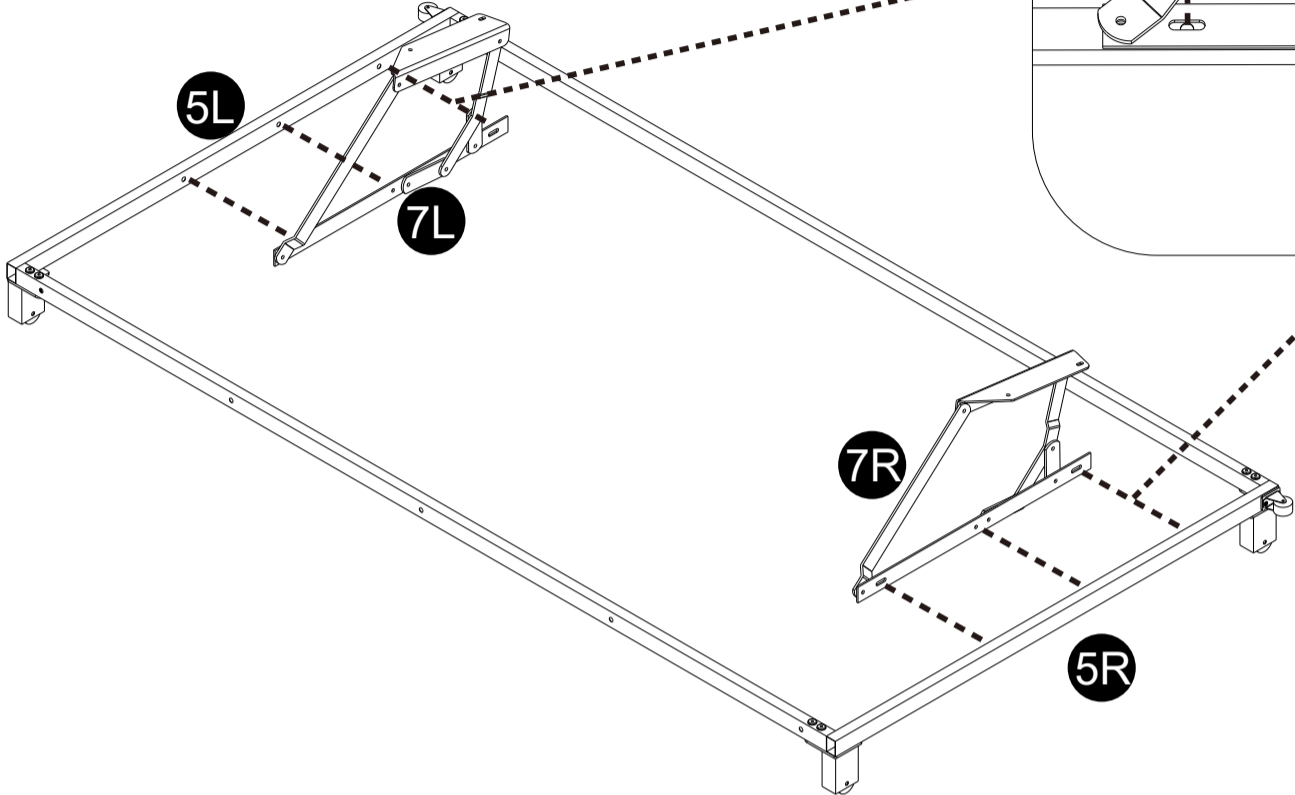
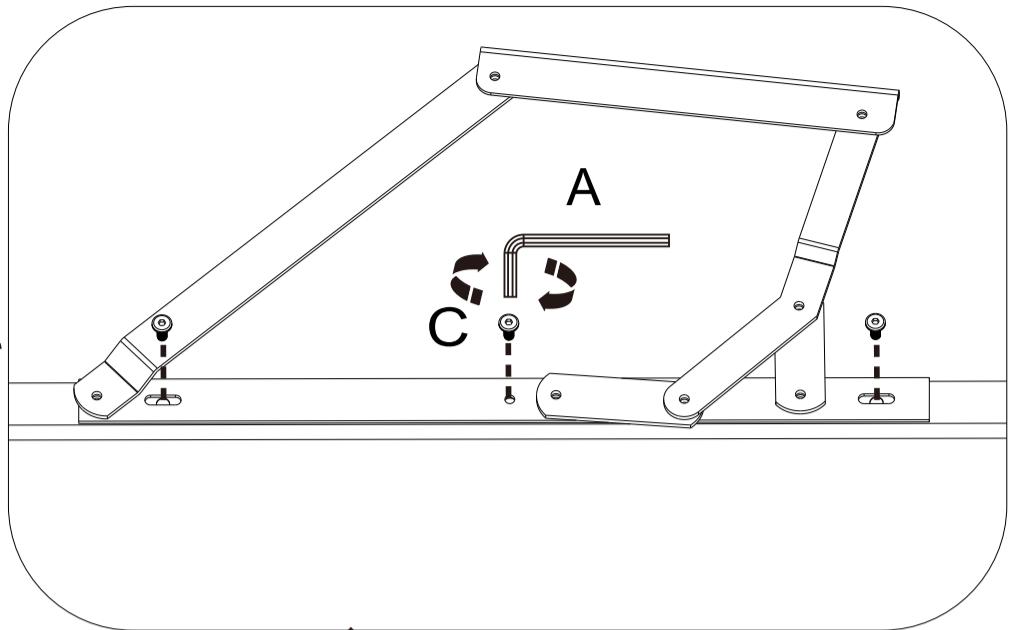
<b>5</b>	B x 4	P x 2
	M4 x 10mm	





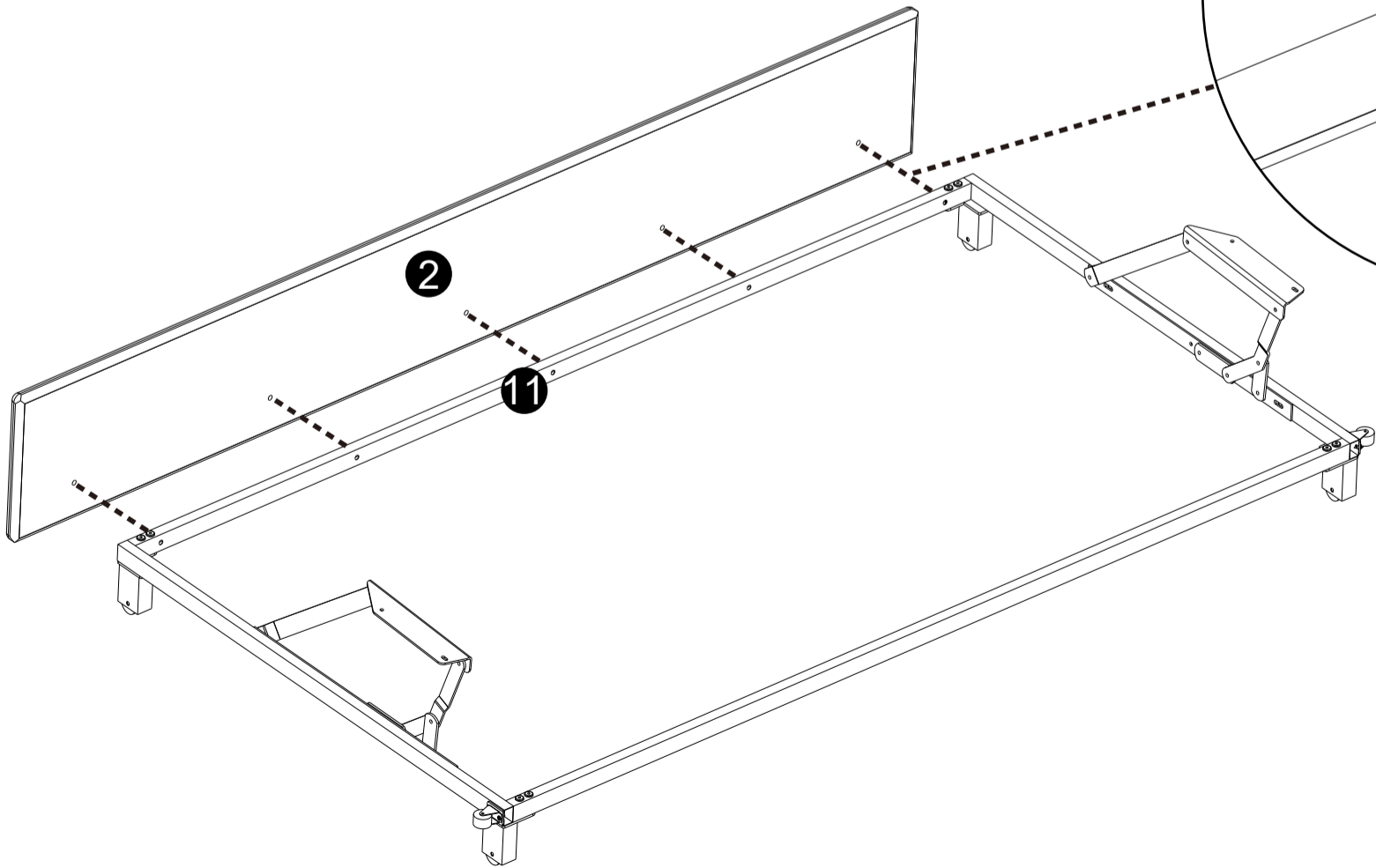
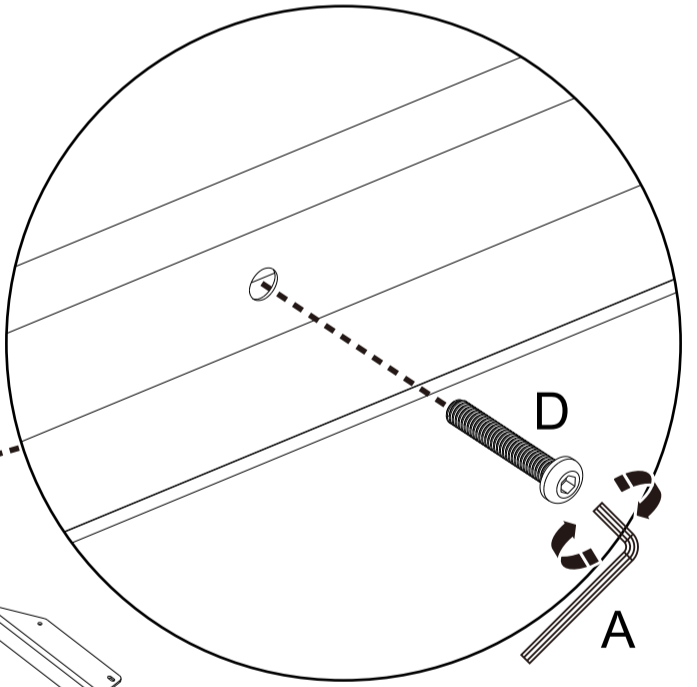
<b>6</b>	A x 1	G x 8
		M8 x 40mm



<b>7</b>	A x 1	C x 6
		 M6 x 16mm



<b>8</b>	A x 1	D x 5
		 M6 x 35mm



9

A x 1

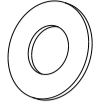


F x 4

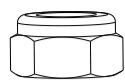


M8 x 30mm

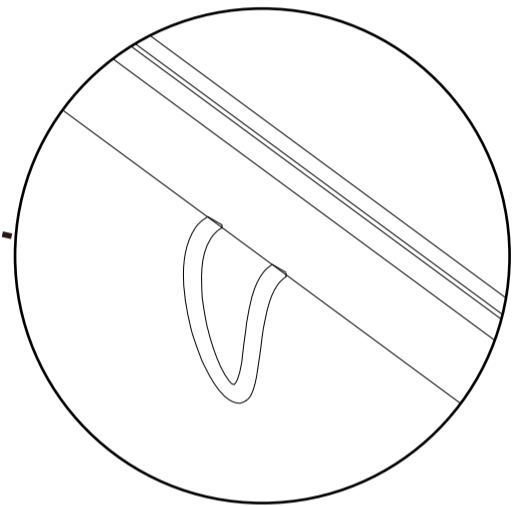
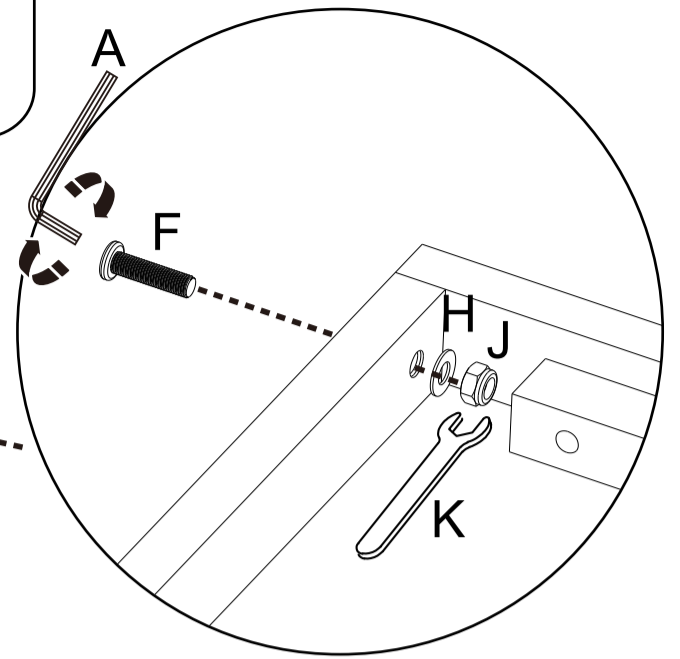
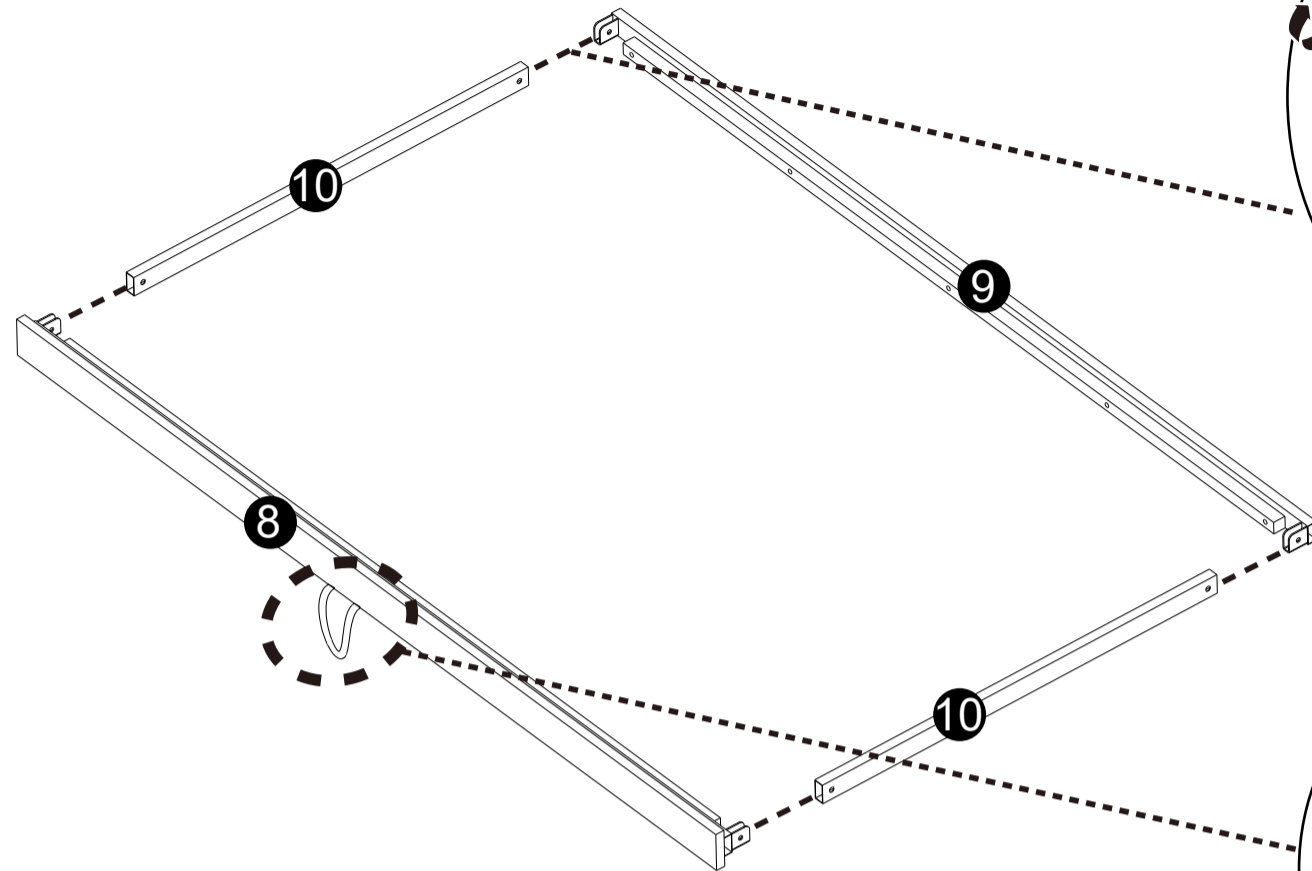
H x 4



J x 4



K x 1



10

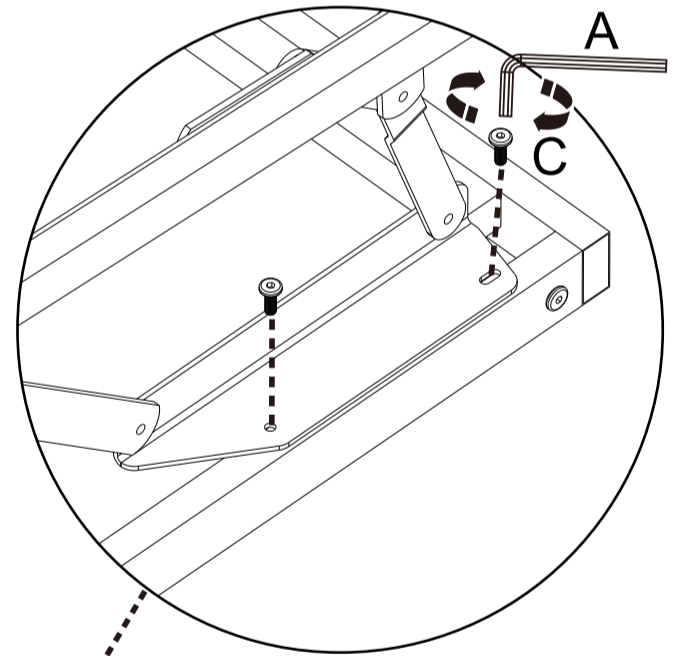
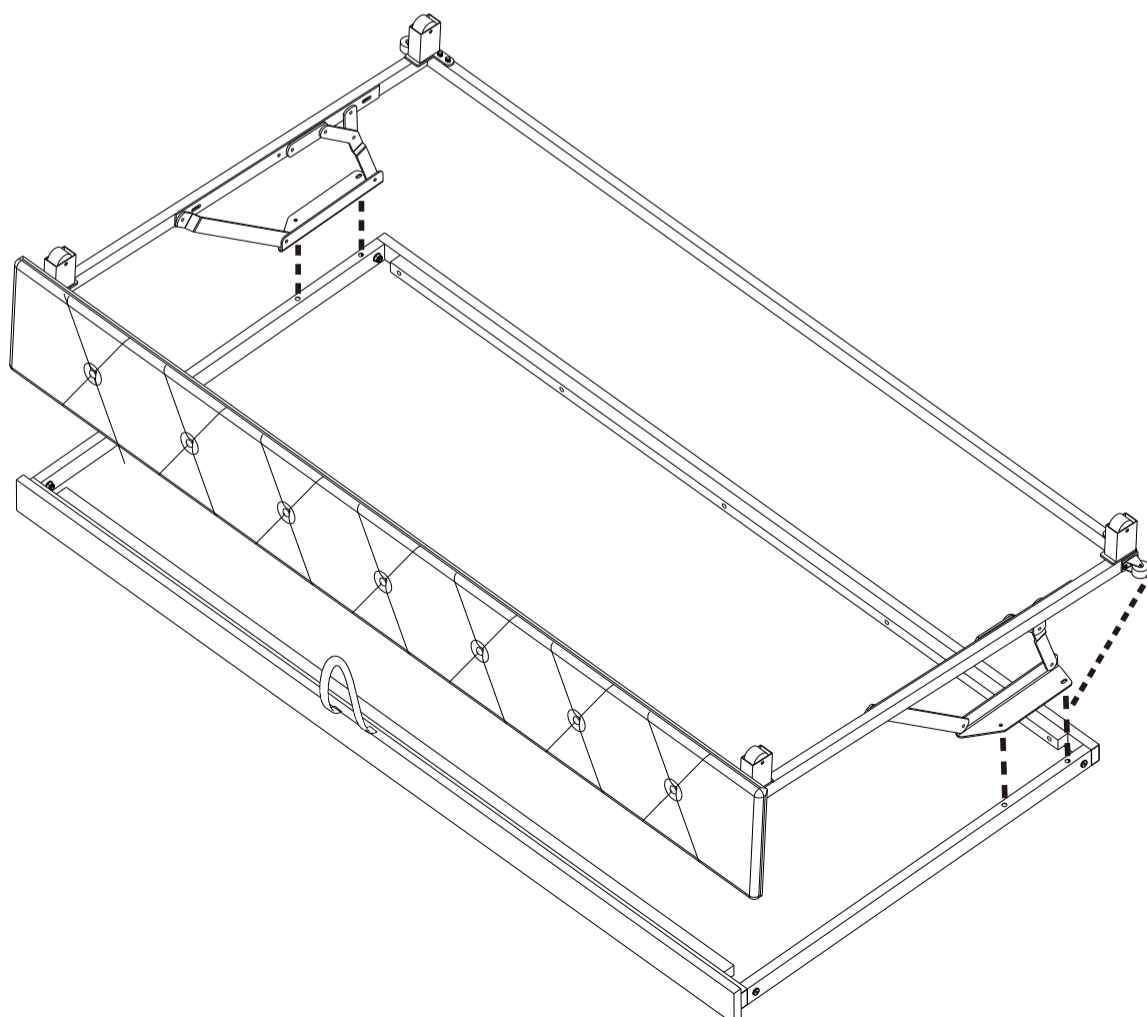
A x 1



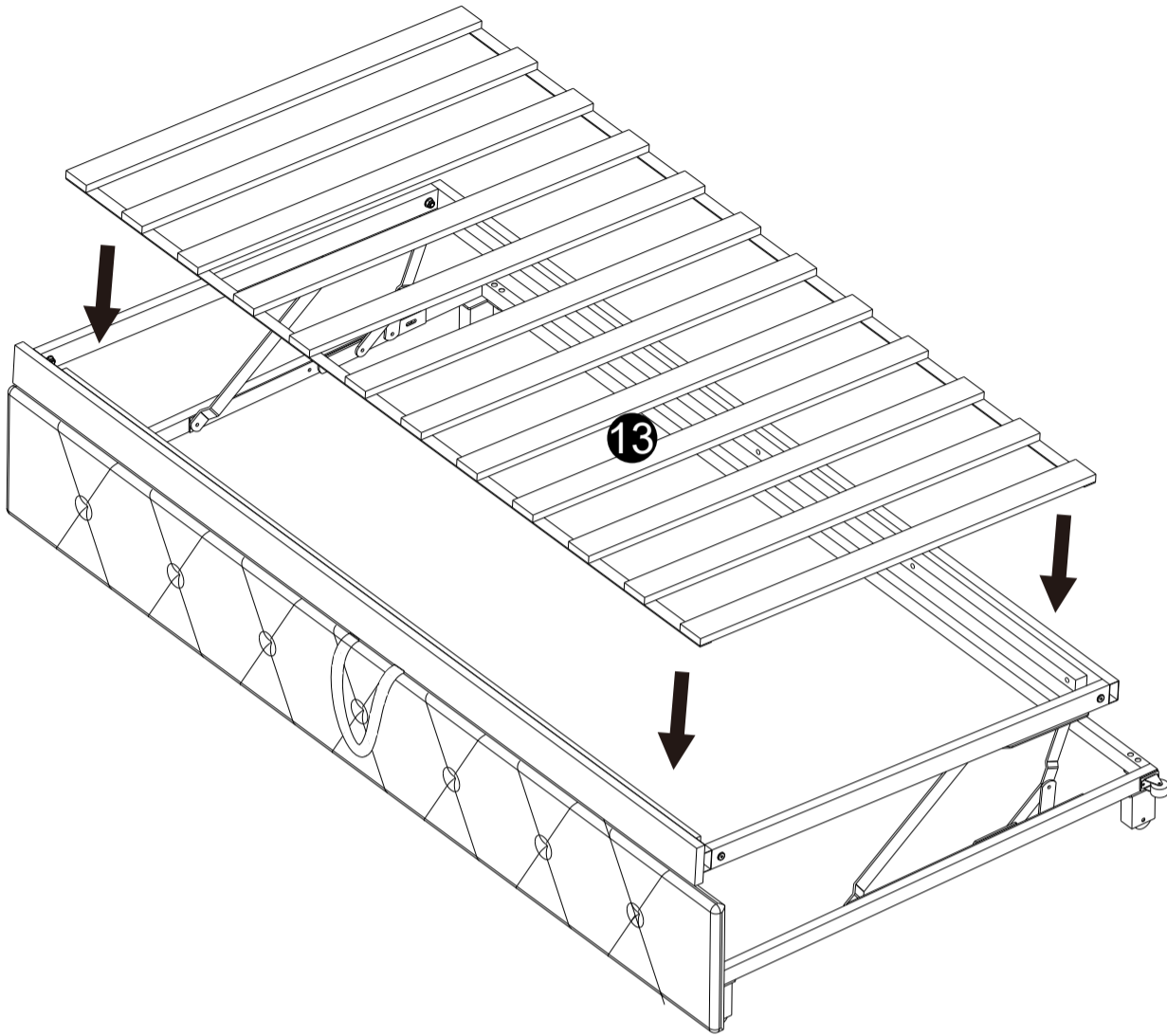
C x 4



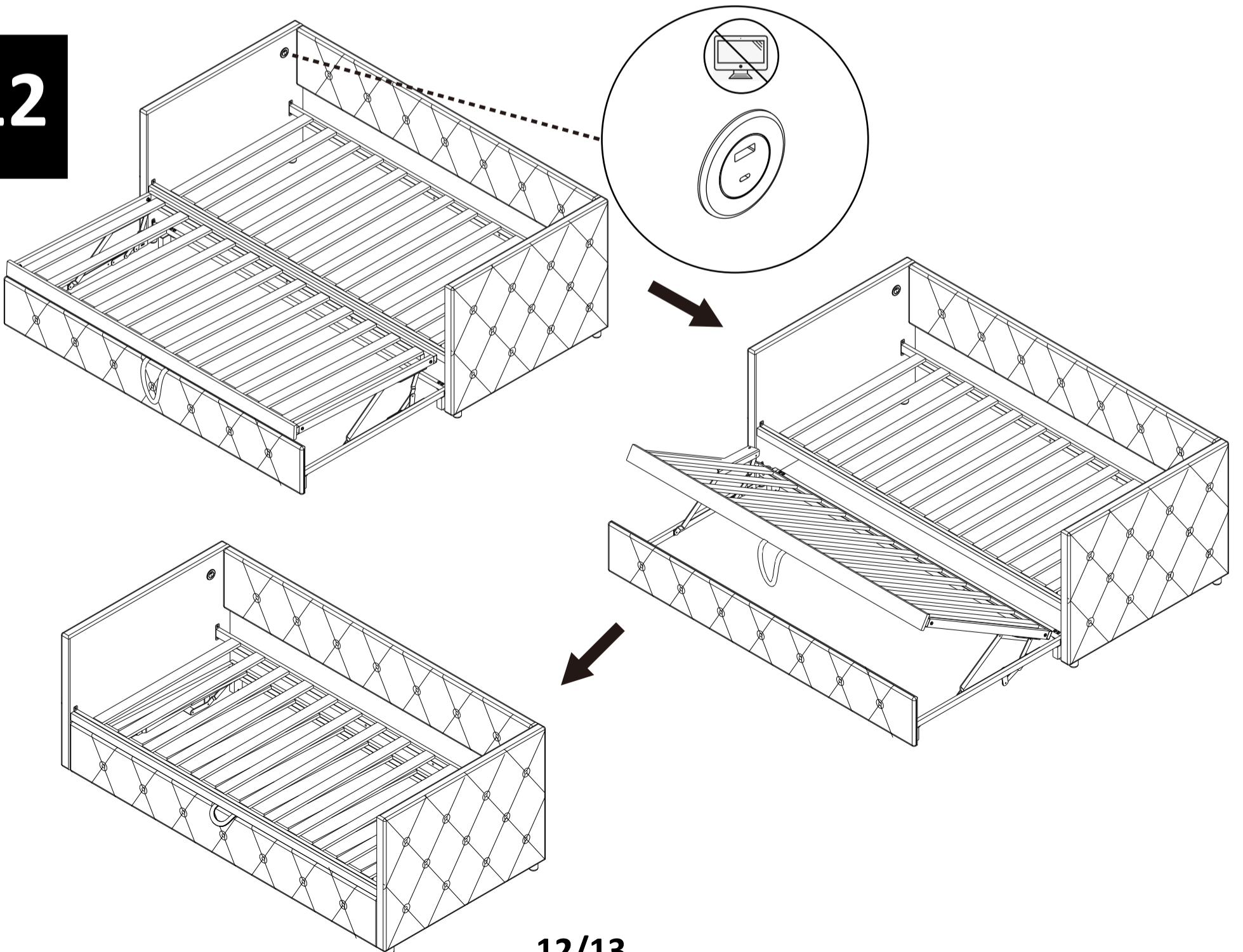
M6 x 16mm



11



12





NO.: EMC230331031-L1-R2

# Certification of Conformity

According to Electromagnetic Compatibility Regulations 2016 (S.I.2016/1091)

Product Description: Power Supply

Trademark: N/A

Model and Rating: See Annex I model list detail

Applicant's Name: Shenzhen ABP Technology Co., Ltd

Applicant's Address: 2nd Floor, 3 &amp; 4 Building, Xinhaosheng Industrial Zone, Yonghe Road, Qiaotou Fuhai Street, Bao'an District, Shenzhen City, Guangdong, China.

Manufacturer's Name: Shenzhen ABP Technology Co., Ltd

Manufacturer's Address: 2nd Floor, 3 &amp; 4 Building, Xinhaosheng Industrial Zone, Yonghe Road, Qiaotou Fuhai Street, Bao'an District, Shenzhen City, Guangdong, China.

Is herewith confirmed to comply with the requirements set out in the Council Directive on the Approximation of the Laws of the Member States relating to electrical equipment designed for use within certain voltage limits (S.I.2016/1091)

Test standards: BS EN 55032:2015+A11:2020  
BS EN 55035:2017+A11:2020  
BS EN IEC 61000-3-2:2019+A1:2021  
BS EN 61000-3-3:2013+A2:2021

Test report No.: EMC230331031-L1-R1

Laboratory Name: Shenzhen Haiyun Standard Technical CO., Ltd.

Laboratory Address: Room 110, 111, 112, 113, 115, 116, Block B, Jinyuan Business Building, No. 302, Xixiang Avenue, Labor Community, Xixiang Street, Baoan District, Shenzhen, China

Date of issue: 2023-04-06



Technical Manager



Annex I

Model list:

Model	Input	Output			Transformer no.
		Voltage (Vdc)	Current (Max. A)	Power (Max.W)	
CP0154-0503100GB1, CP0154-xxxxxyyzfq, CP0151-xxxxxyyzfq, CP0151zf, CP0151f	100-240V~, 50-60Hz, 0.5A Max.	5	0.001-3.1A	15.5W	CP0152-T1

Note:

- "xxx" is 3 digit number from "050" which represents the output voltage in volt after dividing by 10 in a step of 0.1V, for example, "050" means 5.0Vdc;
- "yyyy" is 4 digit number from "0001" to "3100" which represents the output current in ampere after dividing by 1000 in a step of 0.001A, for example, "0001" means 0.001A, "3100" means 3.1A.
- "z" can be blank or can be 'B' for plug different national type: z=B: British plug;
- "f" can be 'A,B,C,D,G,X' denote different output port used; f=A means USB-A port used; f=B means USB-A+Type-C port used; f=C means Type-C port used; f=D means double Type-C port used; f=G means double Type-A port used; f=X means output cord;
- "q" can be '1,3,4,6' represents the different enclosure type: q=1, represents vertical enclosure with fixed plug; q=3, represents enclosure with folding detachable plug; q=4, represents horizontal enclosure with fixed plug. q=6, represents horizontal enclosure with detachable plug.

Model differences:

Model name	Type of input connection	Enclosure type	Primary L/N to PCB connected methods	Output Type
CP0154-0503100GB1 CP0154-xxxxxyyzf1, CP0151-xxxxxyyzf1, CP0151zf	Fixed Vertical direct plug-in	Vertical type case 1	Primary lead wire or Spring	USB-A or USB-2A or USB-C or USB-2C or USB-A+C or output cord
CP0154-xxxxxyyzf3, CP0151-xxxxxyyzf3, CP0151f	Folding Vertical Replaceable direct plug-in	Vertical type case 3	Primary lead wire	
CP0154-xxxxxyyzf4	Fixed Horizontal direct plug-in	Horizontal type case 4	Primary lead wire	
CP0154-xxxxxyyzf6	Horizontal Replaceable direct plug-in	Horizontal type case 6	Primary lead wire	

NO.: SAF230331031-01-L1-R



# Certification of Conformity

Electromagnetic Compatibility Regulations 2016

Product Description: Power Supply

Trademark: None

Model and Rating: See Annex I model list detail

Applicant's Name: Shenzhen ABP Technology Co., Ltd.

Applicant's Address: 2nd Floor, 3&amp;4 Building, Xinhaosheng Industrial Zone, Yonghe Road, Qiaotou Fuhai Street, Bao'an District, Shenzhen City, 518103 Guangdong, P.R. China

Manufacturer's Name: Shenzhen ABP Technology Co., Ltd.

Manufacturer's Address: 2nd Floor, 3&amp;4 Building, Xinhaosheng Industrial Zone, Yonghe Road, Qiaotou Fuhai Street, Bao'an District, Shenzhen City, 518103 Guangdong, P.R. China

The referred test report(s) show that the product fulfills the requirements in the Electrical Equipment (Safety) Regulations 2016. On this basis, together with the manufacturer's own documented production control, the manufacturer can in his Declaration of Conformity verify compliance with the Electrical Equipment (Safety) Regulations 2016 (UK SI 2016 No. 1101).

Test standards: BS EN 62368-1:2014+A11:2017

Test report No.: SAF230331031-01-L1-R

Laboratory Name: Shenzhen Haiyun Standard Technical Co., Ltd.

Laboratory Address: No. 110, 111, 112, 113, 115, 116, block B, Jinyuan business building, No. 302, Xixiang Avenue, Laodong community, Xixiang street, Bao'an District, Shenzhen

Date of issue: 2023-09-15



NO.: SAF230331031-01-L1-R

Annex I

Table A Model list:

Model	Input	Output		
		Voltage (Vdc)	Current (Max. A)	Power (Max. W)
CP0154-050yyyyyzfq, CP0151-050yyyyyzfq	100-240V~, 50-60Hz, 0.5A Max.	5.0	0.01-3.10	15.5
CP0151zf, CP0151f			3.10	

Table B Definition of variables:

Variable:	Range of variable:	Content:
CP0154-050yyyyyzfq, CP0151-050yyyyyzfq, CP0151zf, CP0151f		
yyyy	'yyyy' is a 4 digit number code, from 0010 to 3100	Which represents the output current in Ampere after dividing by 1000 by step of 0.001A, for example, 3100 represents the output current is 3.10A.
z	'z' can be B or Blank	B means British plug used, Blank means detached plugs models.
f	'f' can be A, B, C, D, G, X	A means USB-A port used, B means USB-A+Type-C port used, C means Type-C port used, D means double Type-C port used, G means double Type-A port used, X means output cord.
q	'q' can be 1, 3, 4, 6	1 means represents vertical enclosure type with fixed plug, 3 means represents vertical enclosure type with folding detachable plug, 4 means represents horizontal enclosure type with fixed plug, 6 means represents horizontal enclosure type with detachable plug.