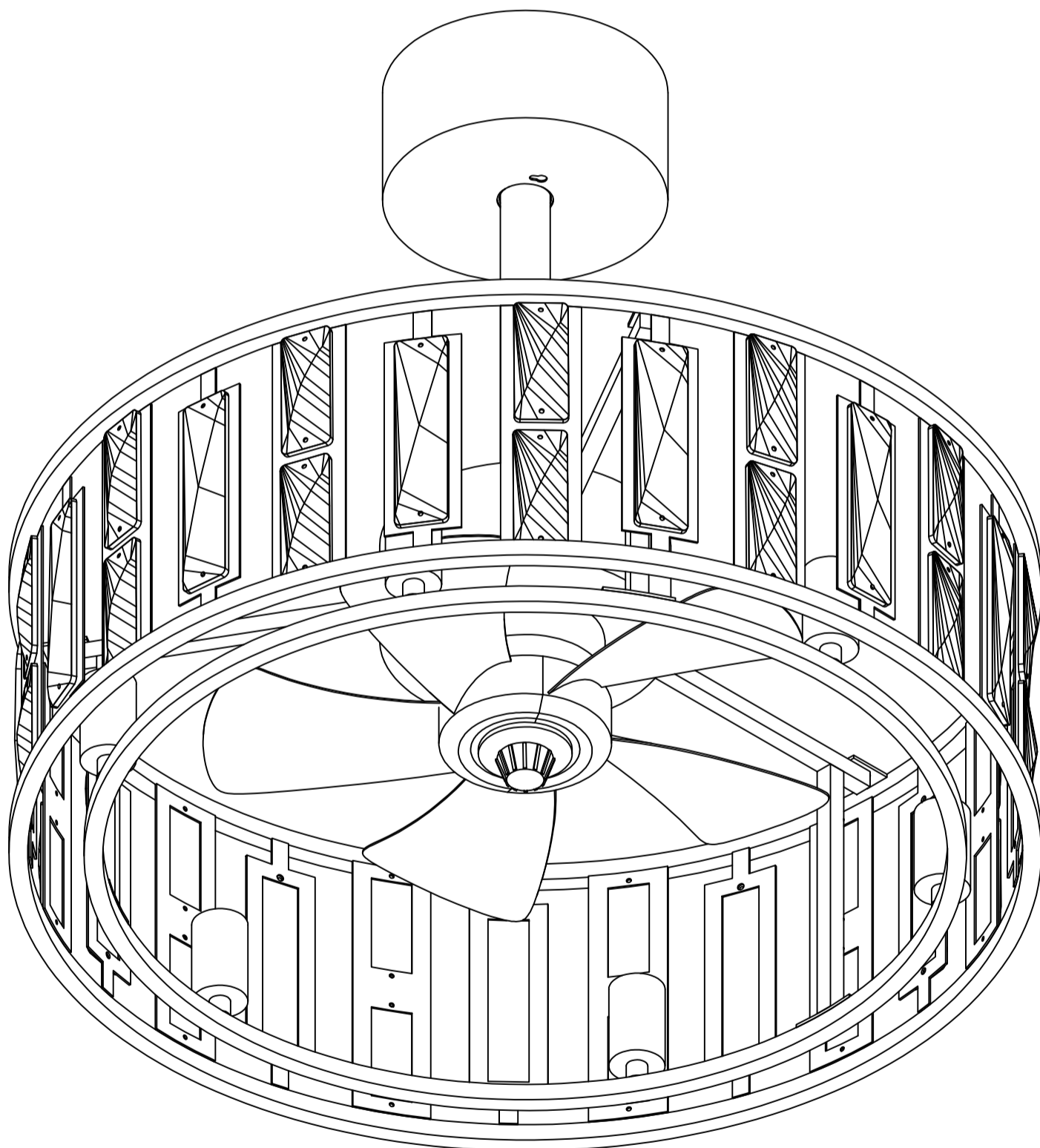


# INSTALLATION & USER MANUAL

## 20 INCH CEILING FAN WITH LIGHT



# Table of Contents

Table of Contents.....	2	Exploded View.....	4
Safety Information.....	2	Installation Instructions.....	5
Dimension Reference.....	3	Troubleshooting Guide.....	12
Hardware Included.....	3		
Fan Parts Included.....	3		

# Table of Contents

## READ AND SAVE THESE INSTRUCTIONS.

1. To reduce the risk of electric shock, ensure electricity has been turned off at the circuit breaker or fuse box before you begin.
2. All wiring must be in accordance with the National Electrical Code “ANSI/NFPA 70” and local electrical codes. Electrical installation should be performed by a qualified licensed electrician.
3. The outlet box and support structure must be securely mounted and capable of reliably supporting a minimum of 35 lbs (15.9 kg). Use only UL Listed outlet boxes marked “Acceptable for Fan Support of 35 lbs. (15.9 kg) or less.”
4. Do not place objects in the path of the blades.
5. To clean the fixture, turn off the power, wait for it to cool, and wipe the fixture with a clean, soft cloth.
6. After making electrical connections, spliced conductors should be turned upward and pushed carefully up into the outlet box. The wires should be spread apart with the grounded conductor and the equipment grounding conductor on one side of the outlet box and ungrounded conductor on the other side of the outlet box.
7. All setscrews must be checked and retightened where necessary before installation.



**WARNING:** To reduce the risk of electrical shock or fire, not use this fan with any solid-state fan speed control device. It will permanently damage the electronic circuitry.



**WARNING:** To reduce the risk of personal injury, do not bend the blade brackets when installing the rackets balancing the blades, or cleaning the fan. Do not insert



**WARNING:** To reduce the risk of fire, electric shock or personal injury, mount to outlet box marked “acceptable for fan support of 35 lbs. (15.9 Kg) or less” and use screws provided with the outlet box.



**WARNING:** To avoid possible electrical shock, turn the electricity off at the main fuse box before wiring.



**WARNING:** To reduce the risk of electrical shock, this must be installed with an isolating wall control / switch.



**CAUTION:** To reduce the risk of personal injury, use only the screws provided with the outlet box.



**CAUTION:** Please use carefully when working around or cleaning the fan to avoid injury or damage of fan.

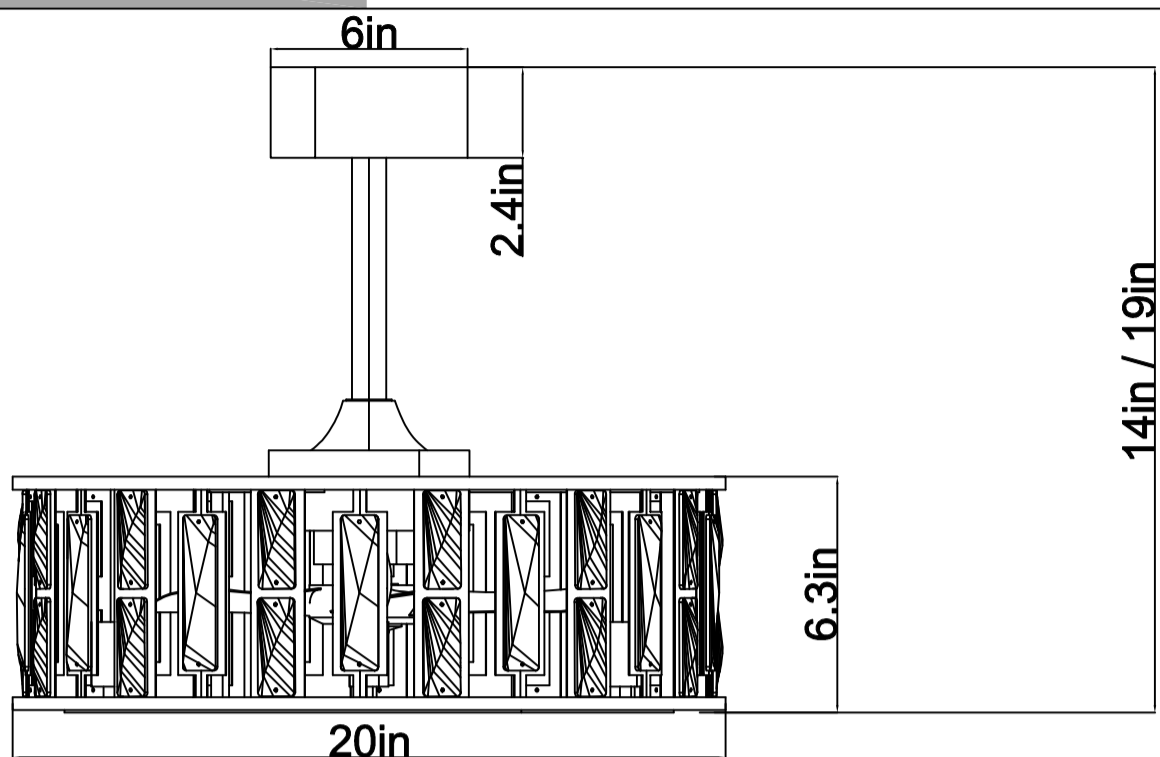


**CAUTION:** The fan must be mounted with a minimum of 7 ft (2.1 m) clearance from the trailing edge of the blades to the floor.

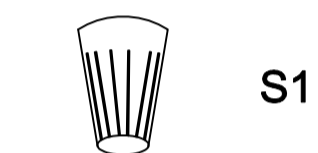


**CAUTION:** Changes or modifications not expressly approved by the party responsible for compliance could void the user's authority to operate the equipment.

# Dimension Reference



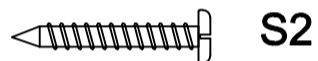
# Hardware Included



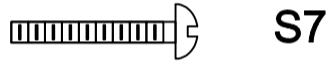
S1



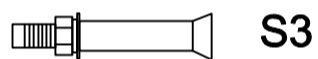
S6



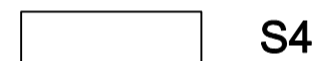
S2



S7



S3



S4



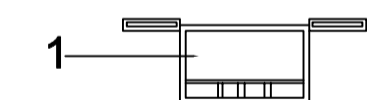
S5

## Hardware Package

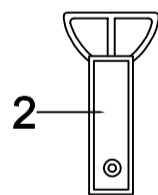
## Quantity

S1. Wire Connectors	5
S2. Wood Screw	4
S3. Expansion screws	2
S4. Sponge pad	3
S5. Balanced patch	1
S6. Spring washer	2
S7. Inch thread	2

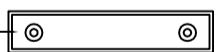
# Fan Parts Included



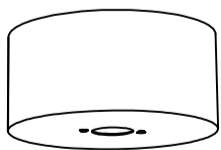
1



2



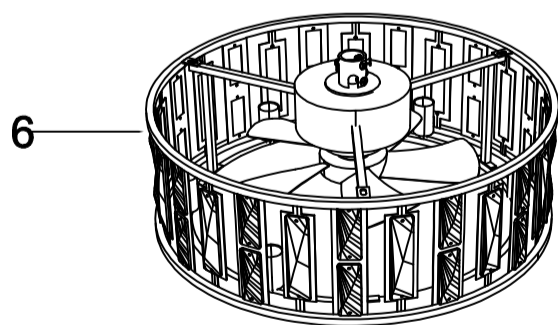
3



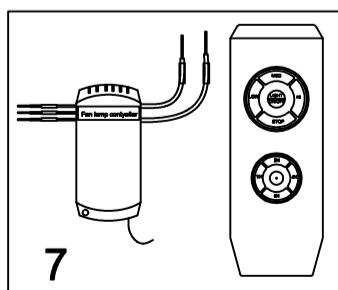
4



5



6



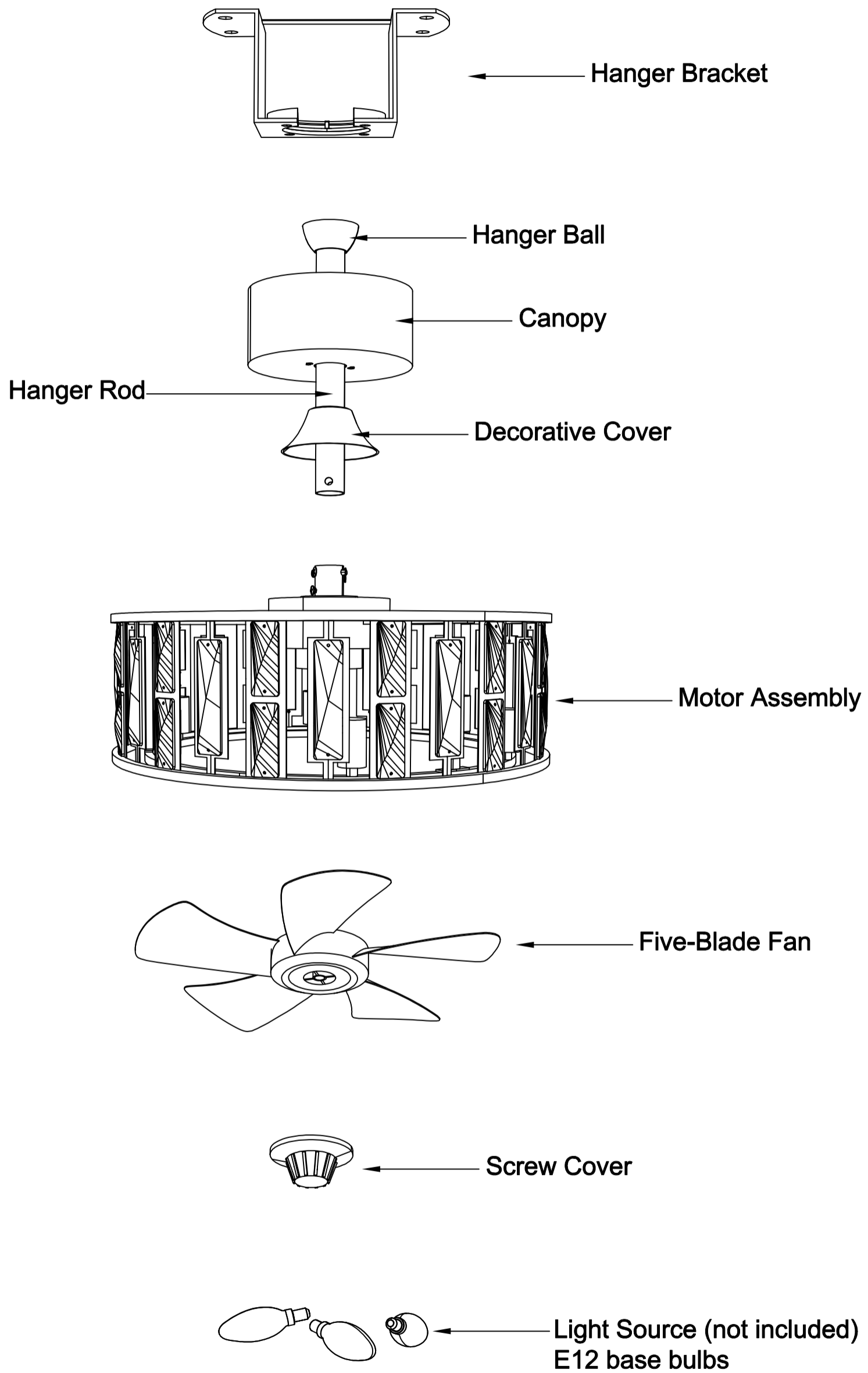
7

## Name

## Quantity

1. Hanger bracket	1
2. 5 inch downrod	1
3. 10 inch downrod	1
4. Canopy	1
5. Decorative cover	1
6. Lamp body part	1
7. Remote Control (Batteries not included)	1

# Exploded View

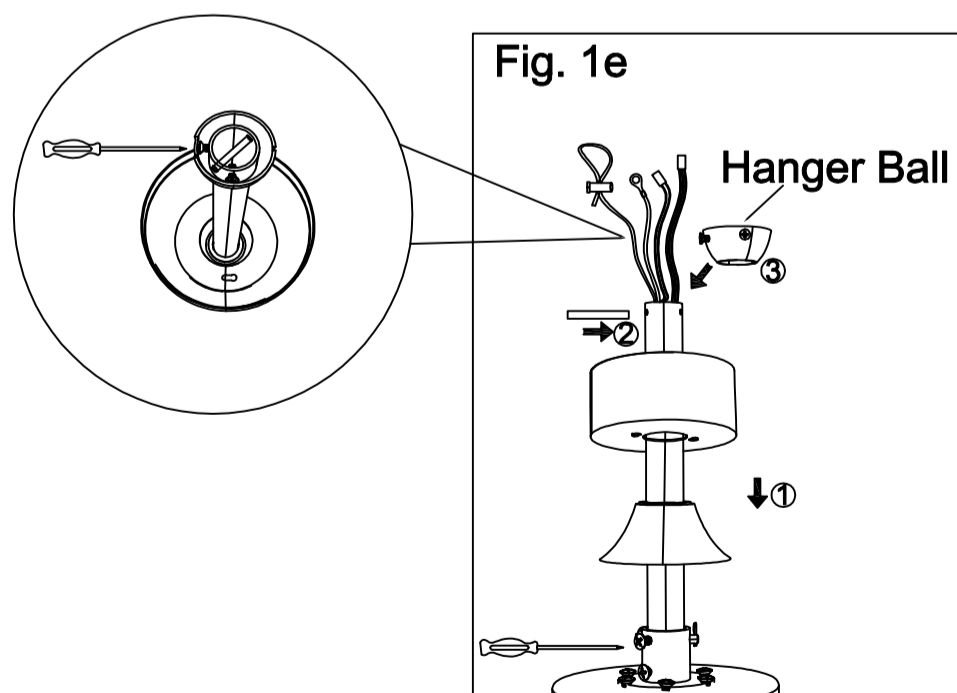
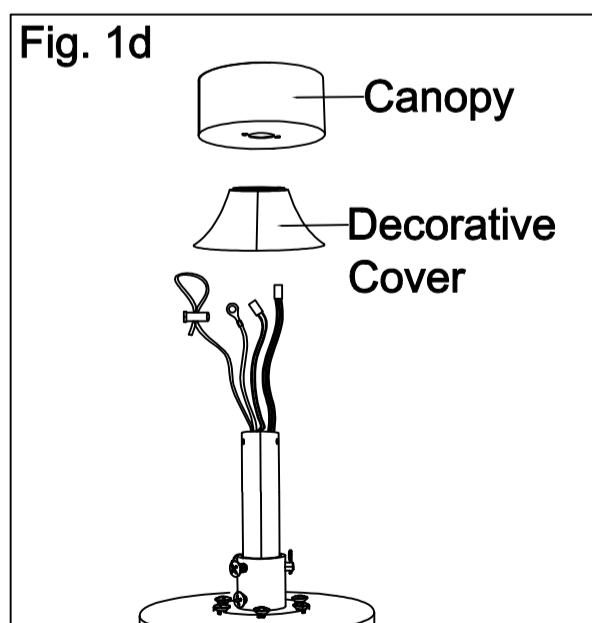
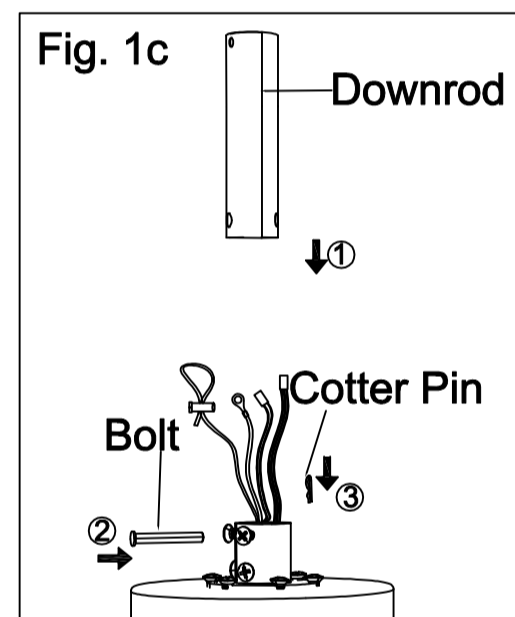
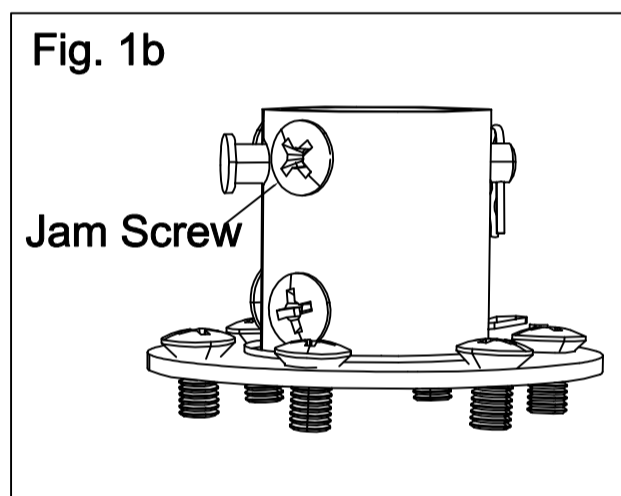
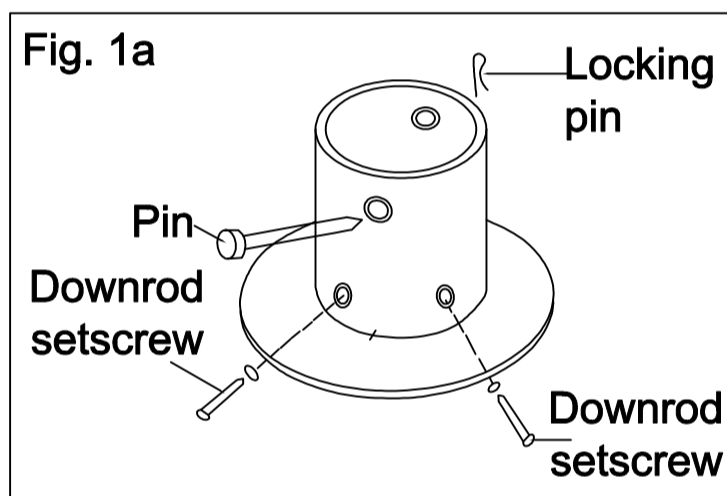


# Installation Instructions

## Step1 MOUNTING

- Take out fan motor housing.
- Remove cotter pin and bolt from yoke.
- Loosen jam screw in yoke until it is flush with the inside surface.
- Obtain downrod, canopy and yoke cover.
- Place downrod inside canopy and yoke cover.
- Route wires exiting motor through yoke cover, canopy and downrod.
- Insert bolt through hole in and downrod. Be careful not to damage or cut the fan wires
- Tighten bolt. Secure with cotter pin through hole in the end of the bolt.
- Secure downrod in position by tightening jam screws. Side yoke cover down and it will flush with the motor housing.

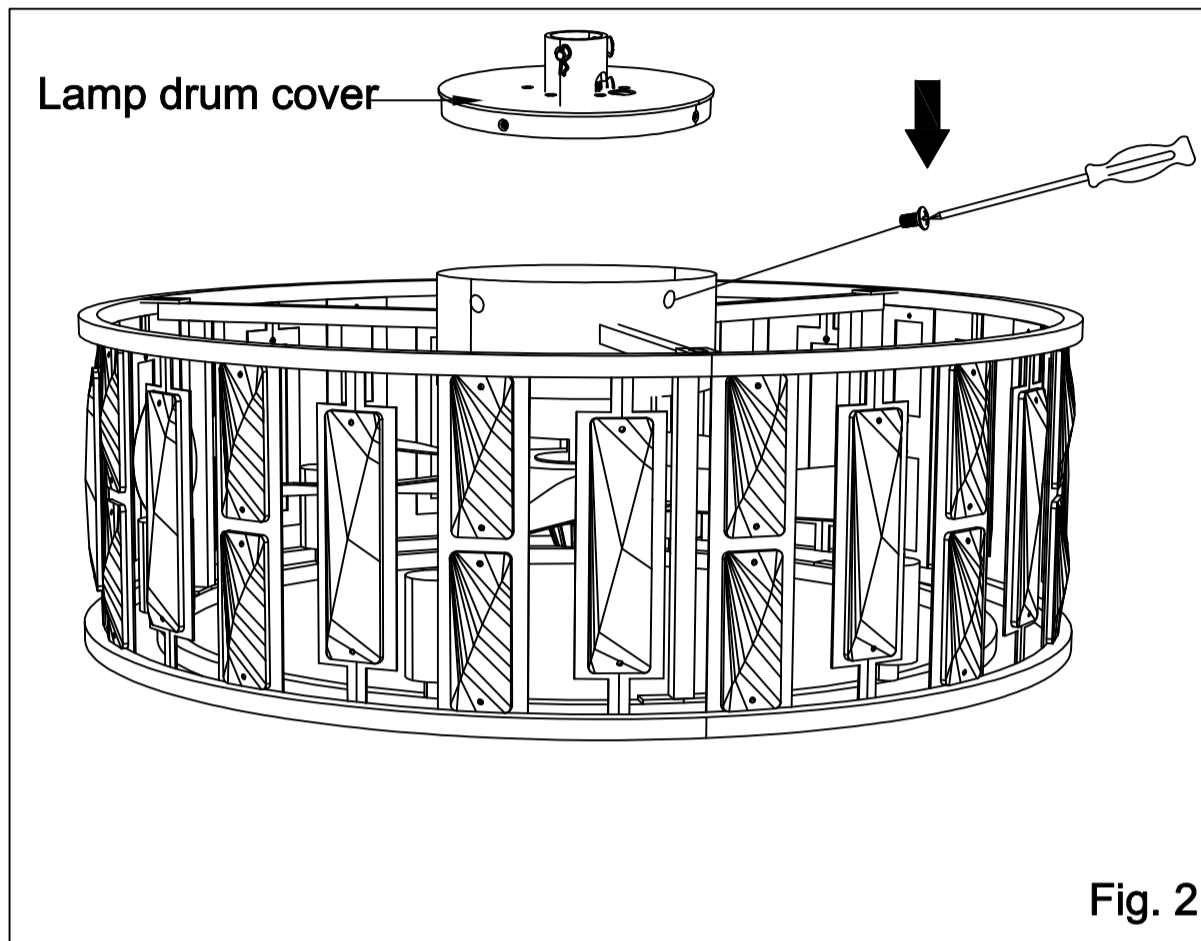
**CAUTION:** To ensure wobble-free operation and to avoid damage to the fan, the downrod and the set crew must be completely tightened.



# Installation Instructions

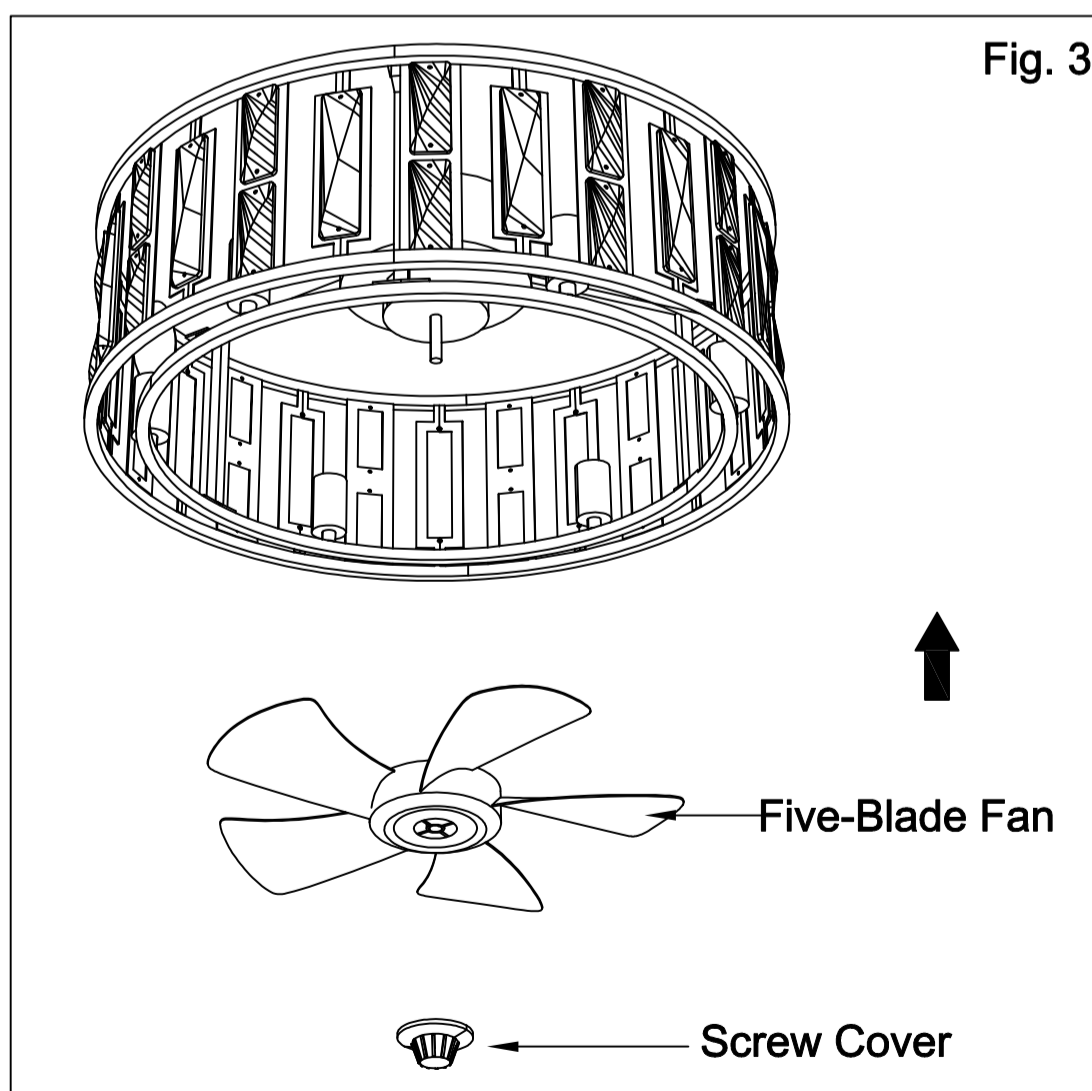
## Step2 Install the light drum cover onto the motor

- Align the light drum cover with the hole position on the motor and tighten it with screws.



## Step3 MOUNTING BLADES TO MOTOR

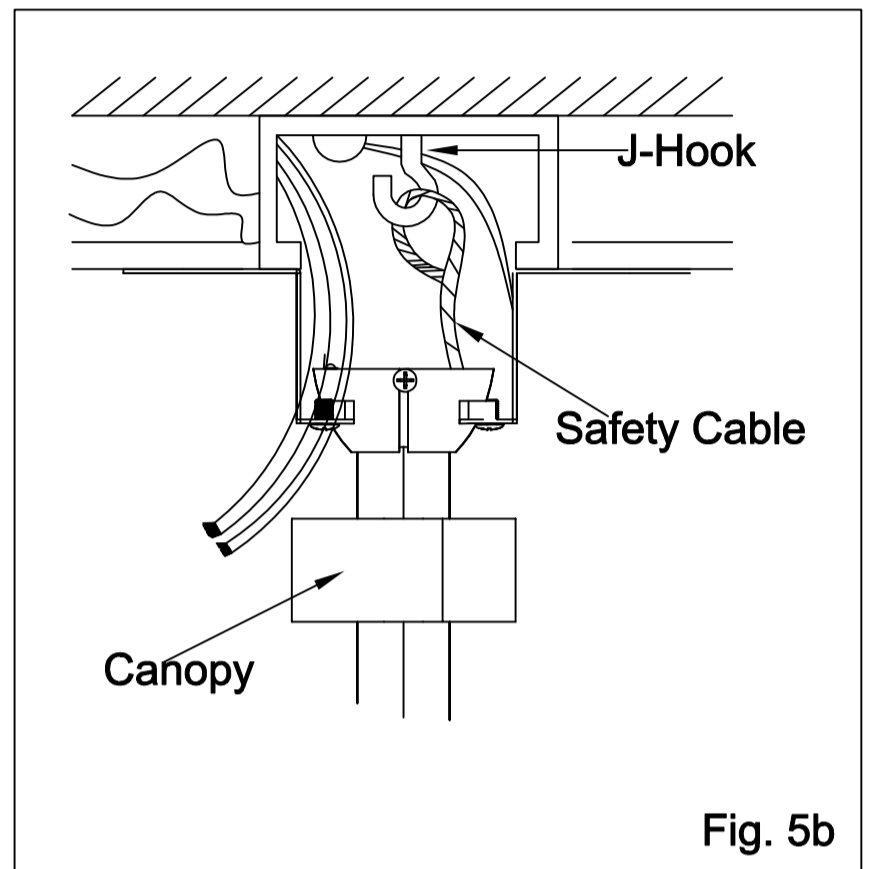
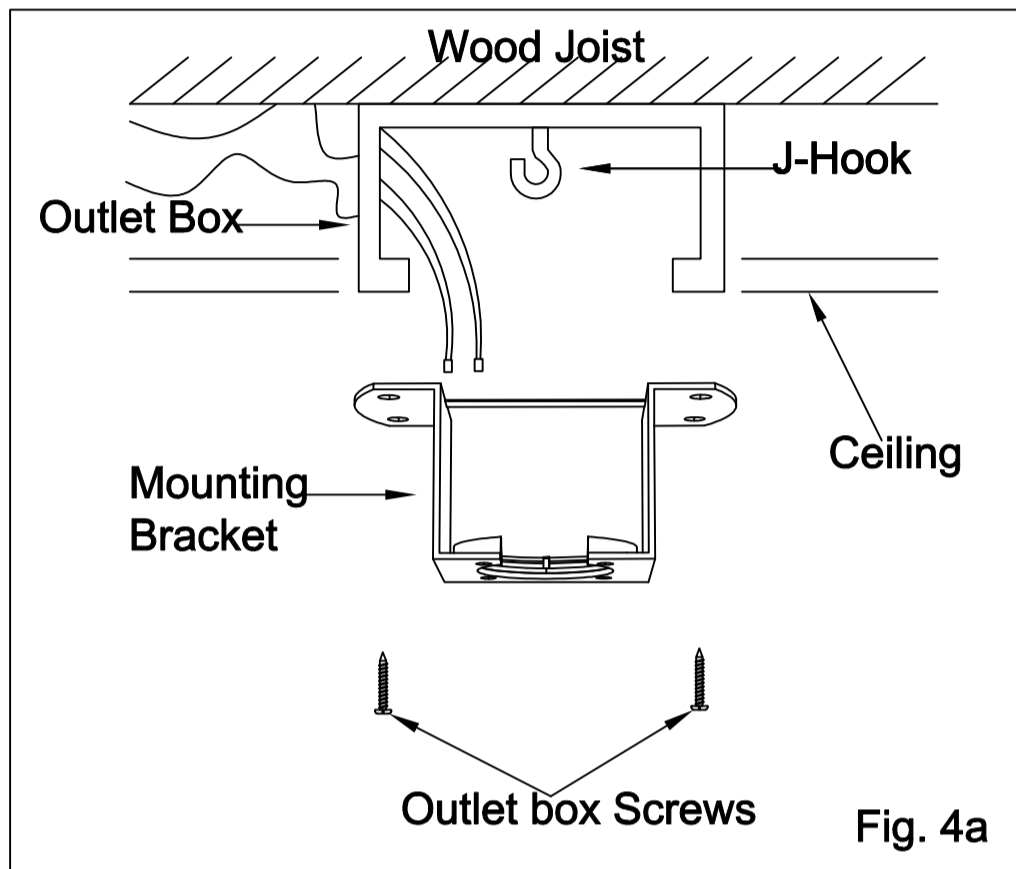
- Place the five leaf fan blades on the motor shaft and tighten them with screw caps.



# Installation Instructions

## Step4 INSTALL MOUNTING BRACKET

- Install J-Hook through centre of outlet box and into the wooden joist.
- Secure mounting bracket and rubber gaskets to metal outlet box.
- Hang the safety cable onto the J-hook.

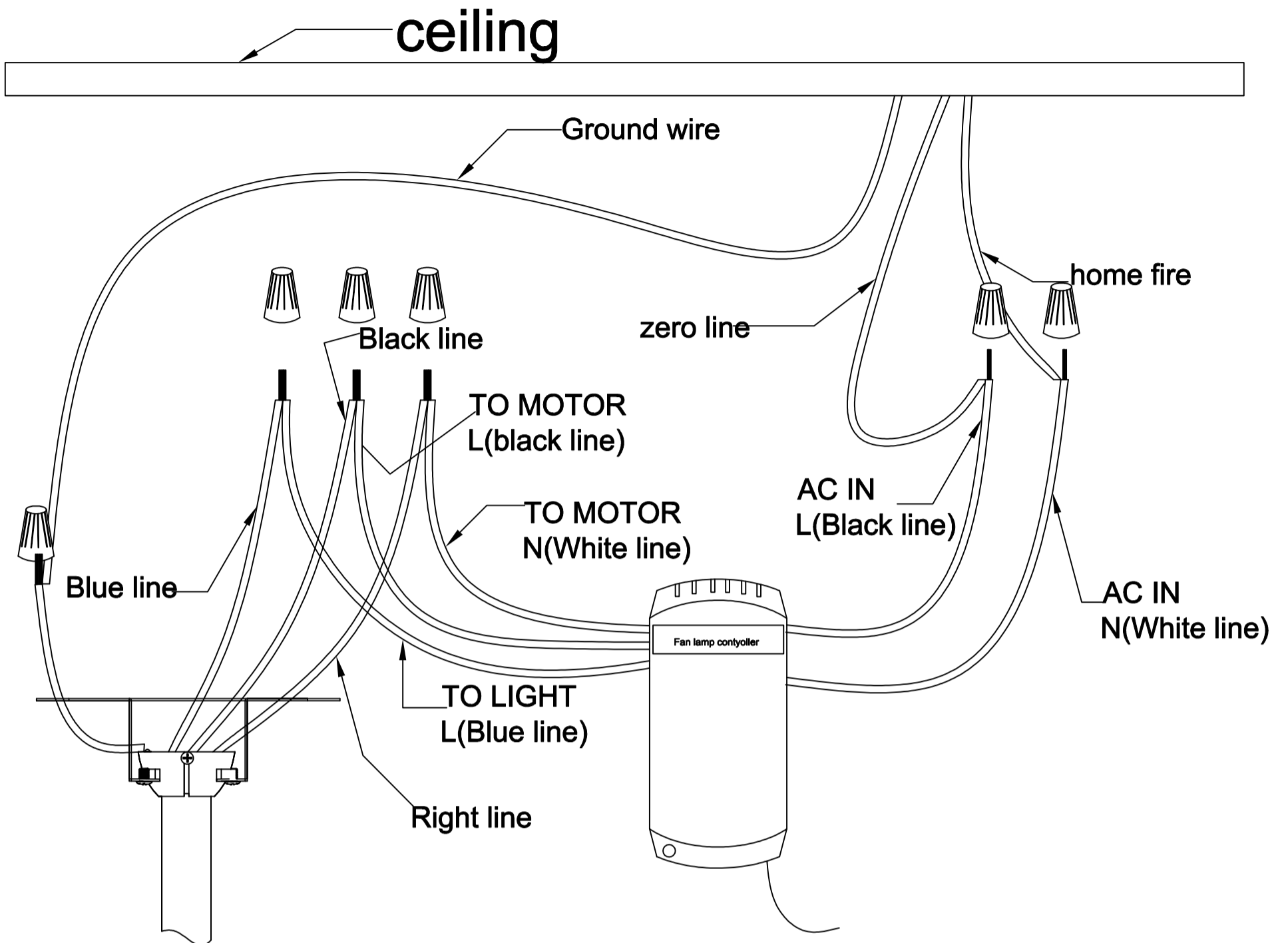


## Step5 ELECTRICAL HOOK-UP

A. Make the following wire connections to the receiver unit using the wire nuts supplied.

- Connect GREEN fan wire to BARE (ground) wire.
- Connect BLACK receiver unit wire to BLACK supply wire.
- Connect WHITE receiver unit wire to WHITE supply wire.
- After making the wire connections, ensure the wires should be spread apart with the grounded conductor and the equipment-grounding conductor on one side of the outlet box and the ungrounded conductor on the other side of the outlet box.
- Ensure the splices after being made should be turned upward and pushed carefully up into the outlet box.
- Connect the 4-Wire female and male plug.
- Connect the 2-Wire female and male plug.

# Installation Instructions



**NOTE:** Once ground wires are connected, carefully tuck all wires and marrettes into the metal box making sure that the wires are clear of the hemisphere and downrod when positioned in hemisphere and downrod when positioned in mounting bracket.

B. Push all connected wires up into ceiling box.

- Position the receiver into the mounting bracket as shown direction.
- When installing the canopy, ensure the antenna is not pressed by the canopy.
- Ensure to connect all ground wires accordingly.

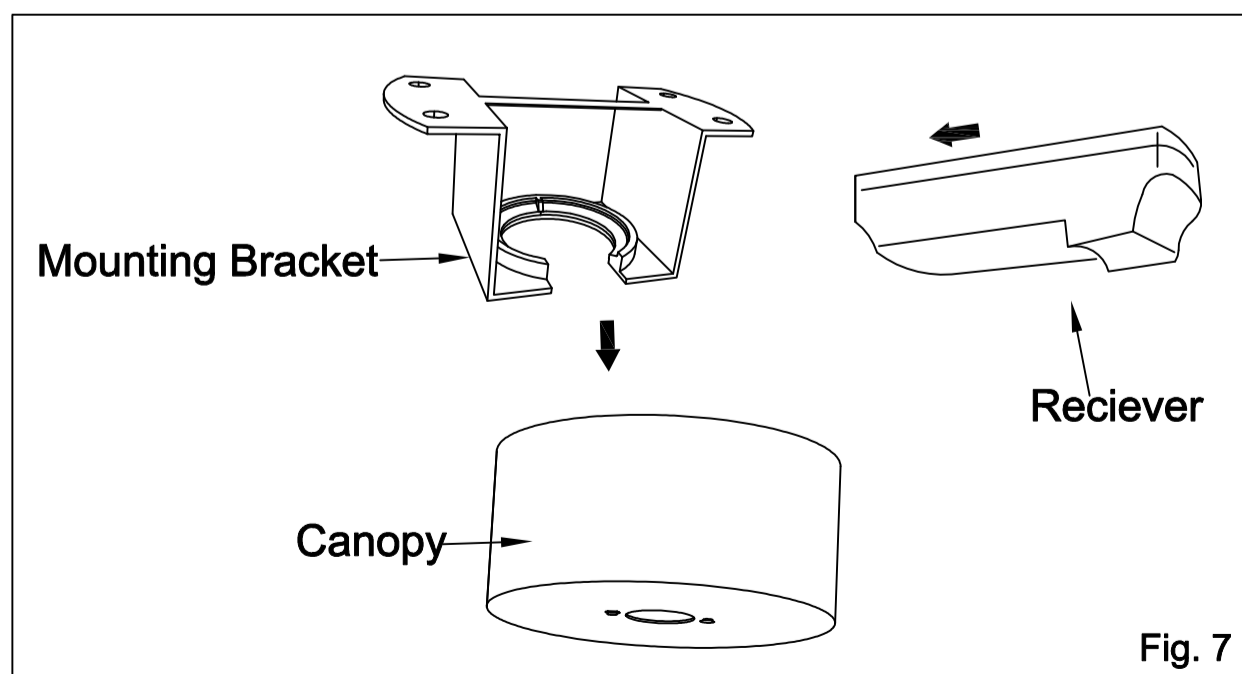


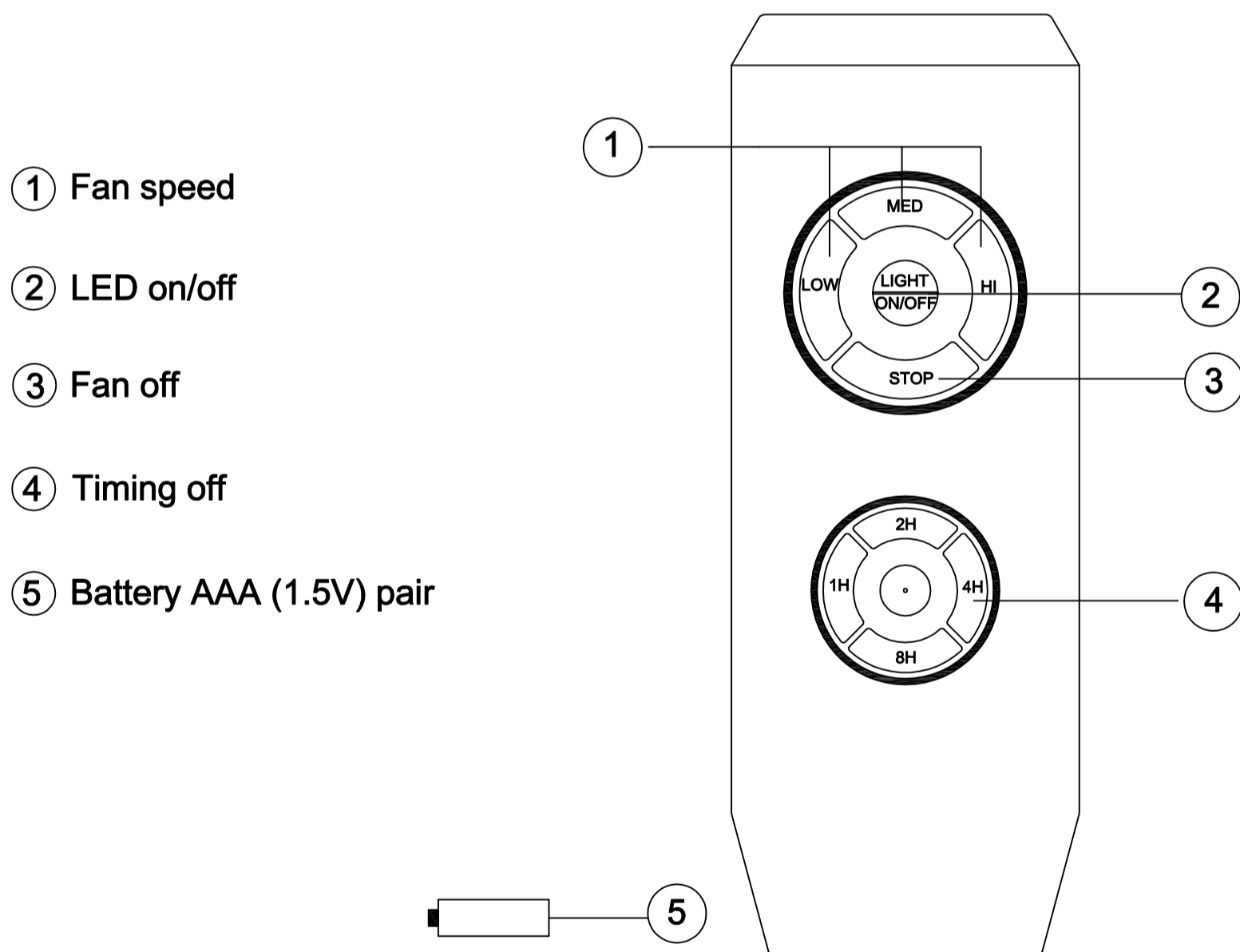
Fig. 7

# Installation Instructions

## C.FUNCTION INSTRUCTION OF EMITTER

Learning code and matching mode is used between emitter and receiver.

- Open battery cover on the hand-held remote and install battery, pair of AAA of emitter (1.5V) that are not included.
- If the emitter can not control the fan, learning code matching mode is used between emitter and receiver.
- When the emitter cannot control the receiver, please check the battery switch touching normally or not, correction of the positive and negative. full or empty of the power.
- When the emitter cannot control the receiver, please check is there any existence of similar remote controlled products nearby, then check whether they works, because remote controlled product with the same frequency will disturb each other.
- Please take out the battery from the emitter when leaving unused for long time.
- When installing the fan, the fan ceiling cover don't press the antenna(or other wire). it is easy to breakdown the wire and short-circuited.
- This products has good pairing code before they go out, if need to match, please click the following method to match: Power on the black receiver while holding down the remote "MED" and "LOW" buttons for 3 seconds for 5 seconds, and hear "di""di" sounds, with success.



# Installation Instructions

## Step6 MOUNTING FAN ASSEMBLY

- Place two screws and washers on mounting plate which correspond with slots in canopy. Screw in two turns.

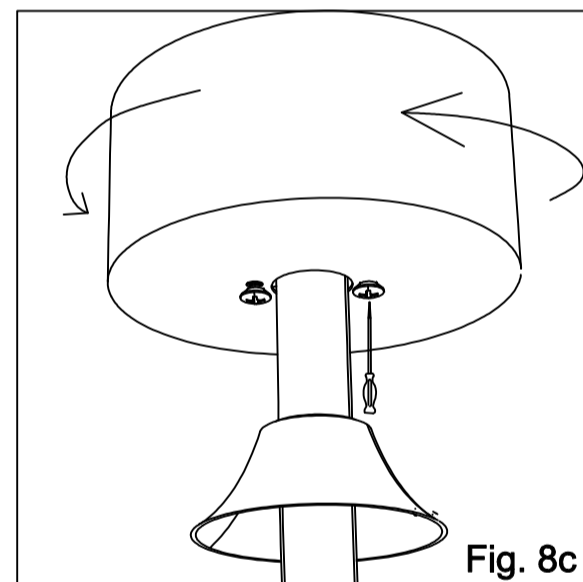
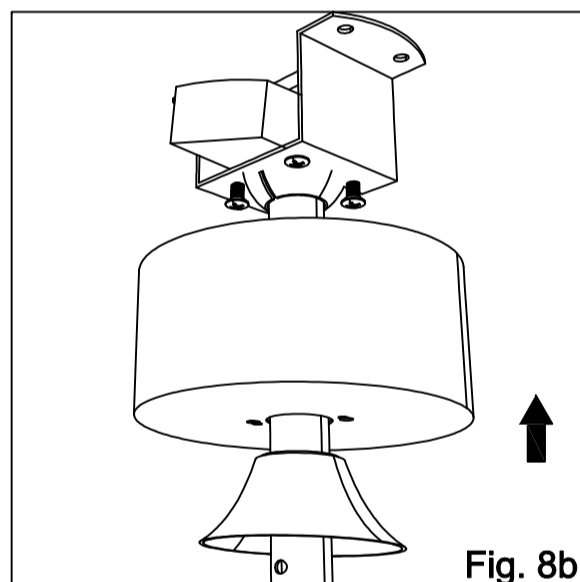
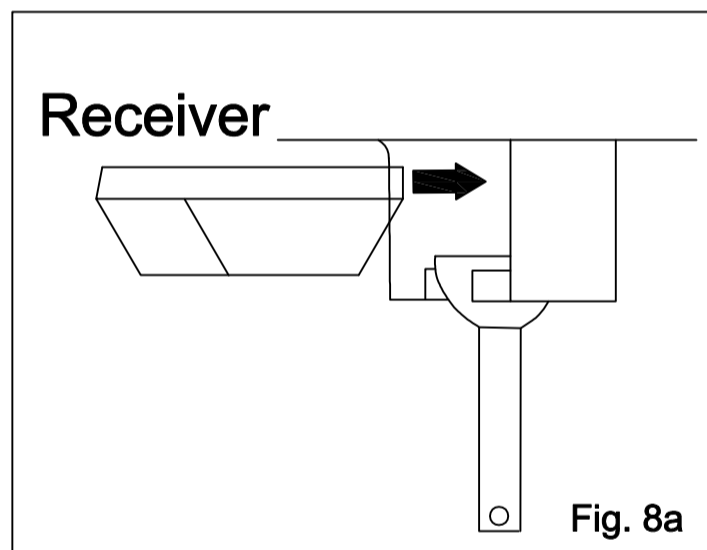
## Step7 ENGAGE HEMISPHERE

Insert the receiver into the top of the fan body and make wire connections according to wire colors, labels, and diagram above.

- Wrap each wire connector separately with electrical tape as an extra safety measure.

- After wiring finished, leave the receiver in the bracket and secure it with the electrical tape then secure the canopy to the bracket.

**WARNING:** Failure to seat tab in groove could cause damage to electrical wires and possible shock or fire hazard.



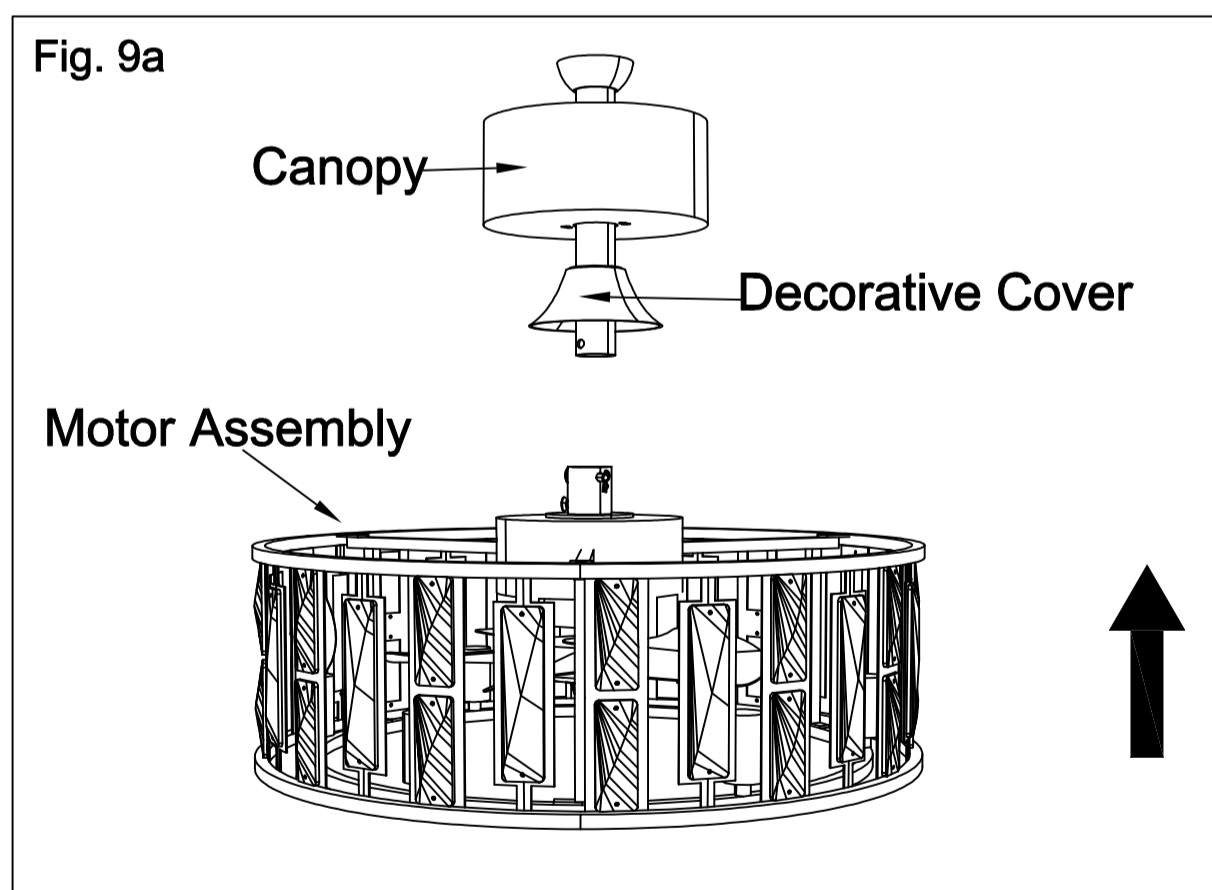
**NOTE:** When installing fan on sloped ceiling, make sure tab on hanger bracket faces towards the top of the slope. Depending on the slope, a longer downrod may be required to prevent fan blades from hitting the ceiling.

# Installation Instructions

## Step8 LIGHT KIT

**WARNING: BE SURE TO TURN OFF POWER BEFORE INSTALLING**

- To select the correct downrod, either 5 inch or 10 inch according to the ceiling height. Put the canopy and decorative cover through the downrod;
- Remove the locking pin and the long pin. then remove the two downrod set screws;
- Fix the downrod set into the fan body, lock the downrod to the fan body with set screws.
- Mount the bracket onto outlet box by the screws, spring washers and flat washers.
- Hang the ball joint and the fan onto the bracket, make sure the guide pin of the bracket is fitted into slot of ball joint.
- Insert the remote control receiver between the bracket and the downrod.
- Connect wires from supply and the bracket to the wiring terminals.
- Attached canopy to the bracket by aligning canopy holes with the bracket holes. Fix the canopy to bracket with set screws.
- Install the blade brackets and blades with screws.



**WARNING:** Check all connections, set screws and screws are securely tightened before the next step.

# Troubleshooting Guide

If you have difficulty operating your new ceiling fan it may be the result of incorrect assembly, installation, or wiring. In some cases these installation errors may be mistaken for defects. If you experience any faults please check this troubleshooting guide.

	Problem	Suggested Remedy
1	If fan does not start.	<ul style="list-style-type: none"> <li><input type="checkbox"/> Check the main and branch circuit fuses or breakers.</li> <li><input type="checkbox"/> Check the line wire connections to the fan and switch wire connections in the switch housing.</li> <li><input type="checkbox"/> Check the battery in the remote control. Ensure you are in the normal range of 10-20 feet.</li> </ul>
2	If fan sounds noisy.	<ul style="list-style-type: none"> <li><input type="checkbox"/> Ensure all motor housing screws are snug.</li> <li><input type="checkbox"/> Ensure the screws that attach the fan blade bracket to the motor hub are tight.</li> <li><input type="checkbox"/> Ensure the wire nut connections are not rattling against each other or the interior wall of the switch housing.</li> <li><input type="checkbox"/> Allow a 24-hour "breaking in" period. Most noises associated with a new fan disappear during this time.</li> <li><input type="checkbox"/> If you are using the Ceiling Fan light kit, ensure the screws securing the glassware are tight. Check that the light bulbs are also secure.</li> <li><input type="checkbox"/> Ensure the canopy is a short distance from the ceiling. It should not touch the ceiling.</li> <li><input type="checkbox"/> Ensure your outlet box is secure and rubber is orator pads were used between the mounting plate and outlet box.</li> </ul>
3	If fan wobbles.	<ul style="list-style-type: none"> <li><input type="checkbox"/> Check that all blades are screwed firmly into blade holders.</li> <li><input type="checkbox"/> Check that all blade holders are tightened securely to motor.</li> <li><input type="checkbox"/> Make sure that canopy and mounting bracket are tightened securely to ceiling junction box and junction box is mounted firmly to ceiling joist.</li> <li><input type="checkbox"/> Most fan wobble problems are caused when blade levels are unequal. Check this level by selecting a point on the ceiling above the tip of one of the blades keeping measure within 1/8 in. Rotate the fan until the next blade is positioned for measurement. Repeat for each blade. If all blade levels are not equal you can adjust blade levels by the following procedure. To adjust a blade tip down insert a washer (not supplied) between the blade and blade holder at the screw closest to the motor. To adjust a blade tip up insert washer (not supplied) between the blade and blade holder at the two screws farthest the motor.</li> <li><input type="checkbox"/> If blade wobble is still noticeable interchanging two adjacent (side by side) bladed can redistribute the weight and possibly result in smoother operation.</li> </ul>
4	If light does not work.	<ul style="list-style-type: none"> <li><input type="checkbox"/> Check blue wire from fan to make sure it is connected to hot wire from the house.</li> <li><input type="checkbox"/> Check for loose or disconnected wires in fan switch housing.</li> <li><input type="checkbox"/> Check for loose or disconnected wires in light kit.</li> <li><input type="checkbox"/> Check for faulty light bulbs. CAUTION: Make sure main power is turned off before entering switch housing.</li> <li><input type="checkbox"/> If the fan light shuts off shortly after being switched on it may be due to excessive current demand. Turn off power to the fan and replace the light bulbs with lower wattage bulbs. Turn on power to the fan using the pull chain, wall switch, or remote control (whichever is installed on the particular fan).</li> </ul>