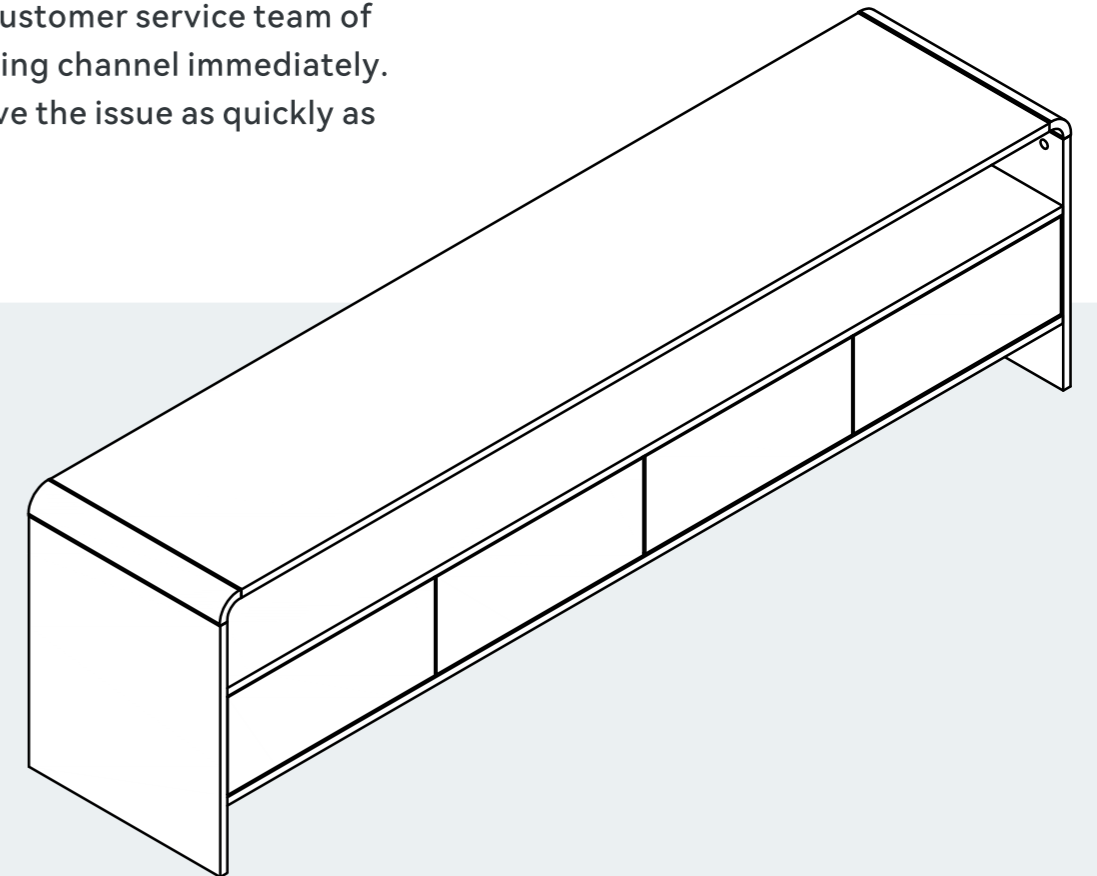


TV Stand

Assembly Instruction – Please keep properly for future reference.

If you find any missing boxes, damaged parts, or accessory shortages, please contact the customer service team of your purchasing channel immediately. We will resolve the issue as quickly as possible.



CONTACT US

- **Email: service@grandtunnel.com**
In order to receive assistance more quickly, please provide

THE FOLLOWING INFORMATION:

- Order number
- Purchase platform
- Purchase date
- Detailed description of the issue along with photos (if applicable)

Important – Please read these instructions carefully before starting the installation.

SKU

C001492010
C001492020
C001492030

V2.0

EN

|TV Stand

Before Assembly



Thank you for choosing our product!

To ensure a smooth installation process, please read this guide carefully to familiarize yourself with the required tools, materials, and installation steps.

Follow the relevant sections to avoid any damage caused by improper installation, and make sure to review all operation and safety guidelines for correct installation procedures.

Packaging Notice:

If you find any missing boxes, damaged parts, or accessory shortages, please contact the customer service team of your purchasing channel immediately. We will resolve the issue as quickly as possible.

Safety and Care Advice



Important :

Please read these instructions fully before starting assembly.

- Check you have all the components and tools listed on the following pages.
- Remove all fittings from the plastic bags and separate them into their groups.
- Keep children and animals away from the work area, small parts could choke if swallowed.
- Make sure you have enough space to layout the parts before starting.
- During assembly do not stand or put weight on the product, this could cause damage.
- Assemble the item as close to its final position (in the same room) as possible.
- Assemble on a soft level surface to avoid damaging the unit or your floor.
- Parts of the assembly will be easier with 2 people.



- To reduce the likelihood of damaging your product please ensure that your power drill is set on a low torque setting.

Care and Maintenance

- Only clean using a damp cloth and mild detergent, do not use bleach or abrasive cleaners.
- From time to time check that there are no loose screws on this unit.
- This product should not be discarded with household waste. Take to your local authority waste disposal center.

Handy Hints

- Assemble all parts and bolts loosely during assembly, only once the product is complete should you fully tighten the bolts.
- Regularly check and ensure that all bolts and fittings are tightened properly.

Warning

In order to help prevent overturning, please follow these instructions.

- Use the anti tip strap or wall fixing method provided (if applicable).
- Do not allow children to climb or hang on the furniture.
- Do not open more than one drawer at a time.
- Do not place heavy items in the top drawers.
- Do not place heavy items on top of the furniture, unless the furniture has been designed for this purpose.
- Please note that only the anti tip strap is provided. You will need to provide wall plugs and screws applicable for your wall type.

Customer Service Guide



Thank you for choosing our product! We are committed to providing you with excellent service. If you find any missing parts, damaged packaging, or product damage after receiving all packages, please follow the steps below to quickly contact our customer service team. We will do our best to resolve your issue.

1. Missing Parts

Verify Parts:

1. Refer to the “Parts List” in the manual to verify the name, specifications, and quantity of the missing parts.
2. Take a clear photo of the parts list and mark the missing parts with detailed information, e.g., “Missing 5 pieces of M6×30mm screws.”

Contact Us:

By Email:

Send an email to service@grandtunnel.com, with the subject line “Missing Parts Issue.” Include the following in the email:

- A description of the missing parts and a photo of the parts list.
- Order details (order number, purchase platform, purchase date).

2. Product or Packaging Damage

If it affects normal use:

Steps:

1. Take clear photos or videos showing the damaged parts and the extent of the damage (multi-angle shots are recommended).
2. Email the photos/videos along with order details to service@grandtunnel.com, with the subject line “Product Damage Issue.”

Resolution:

After verification, we will arrange for a replacement part, product exchange, or refund as quickly as possible.

If it does not affect normal use:

Steps:

1. Contact our customer service team (by email: service@grandtunnel.com).
2. Provide a description of the damage and include relevant photos or videos.

Resolution:

We will provide repair guidance or an appropriate compensation plan based on the specific situation.

Contact Us:

Customer Service Email: service@grandtunnel.com

Helpful Tips

To process your issue efficiently, please prepare the following information:

- Order details (order number, purchase platform, purchase date).
- Clear photos or videos.
- We are committed to providing quick and professional solutions, no matter the size of the issue, to ensure your satisfaction.

Thank you for your trust and support!
We hope you enjoy using our product!

Parts List - Panels



Please check you have all the panels listed below.

 1 1690x400x15mm x1	 2 455x400x15mm x1	 3 455x400x15mm x1
 4 400x64x27mm x2	 5 150x200x15mm x2	 6 433x177x15mm x2
 7 1748x399x15mm x1	 8 183x375x15mm x1	 10 1748x120x15mm x1
 11 433x177x15mm x2	 12 439x159x3mm x2	 13 866x159x3mm x1
 14 875.5x192x3mm x2	 15 1748x399x15mm x1	

Parts List - Fittings



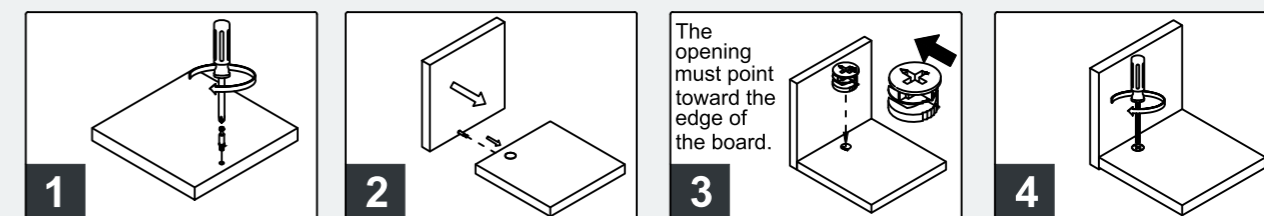
Please check you have all the fittings listed below.

Note: The quantities below are the correct amount to complete the assembly. In some cases more fittings may be supplied are required.

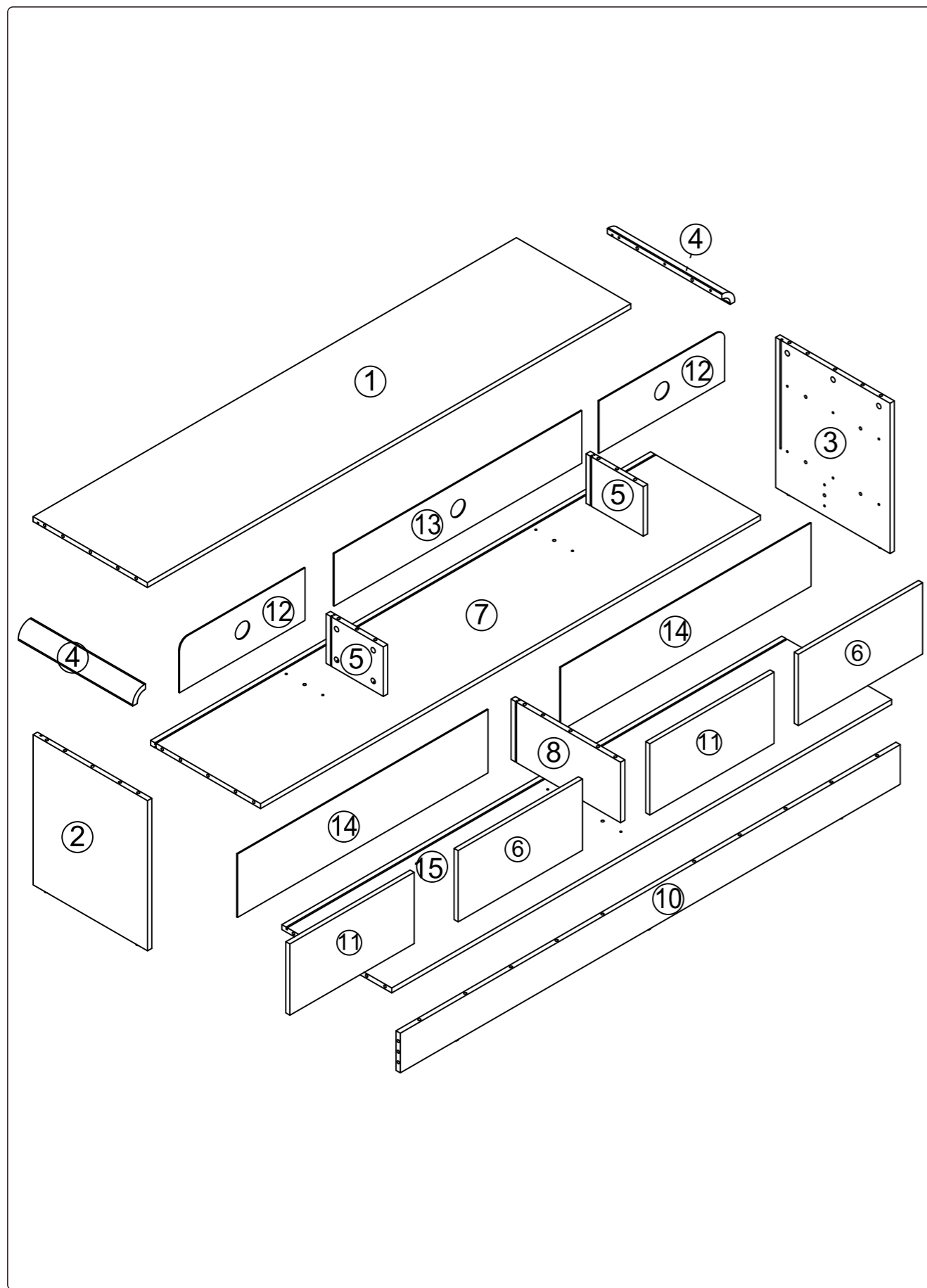
 A Ø15x9.5mm x45+3	 B Ø6.5x35mm x45+3	 C Ø8x30mm x30+3
 D Ø3x12mm x4+1	 E Ø4x35mm x3+1	 F Ø12x25mm x8
 G 34x29x19mm x4	 H Ø3x14mm x19+1	 I Ø21mm x45+3
 J Ø70x30x5mm x1	 K x2set	 L Ø20x1.4mm x4
 M Ø3x16mm x16+1		

Cam Lock Fastening System

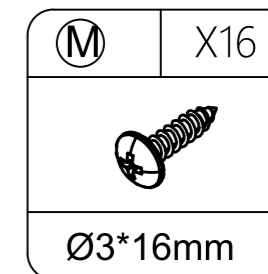
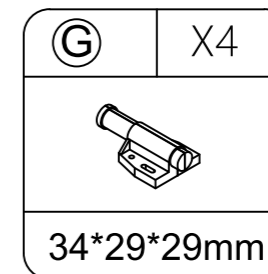
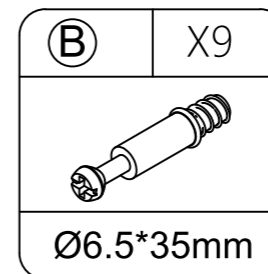
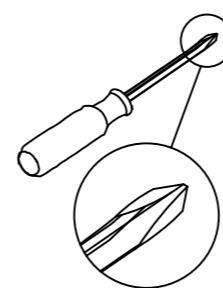
Inset the cam bolt into the hole first, then inset the cam lock and lock it.



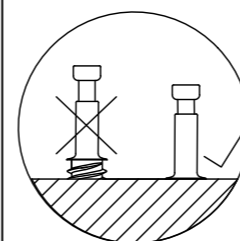
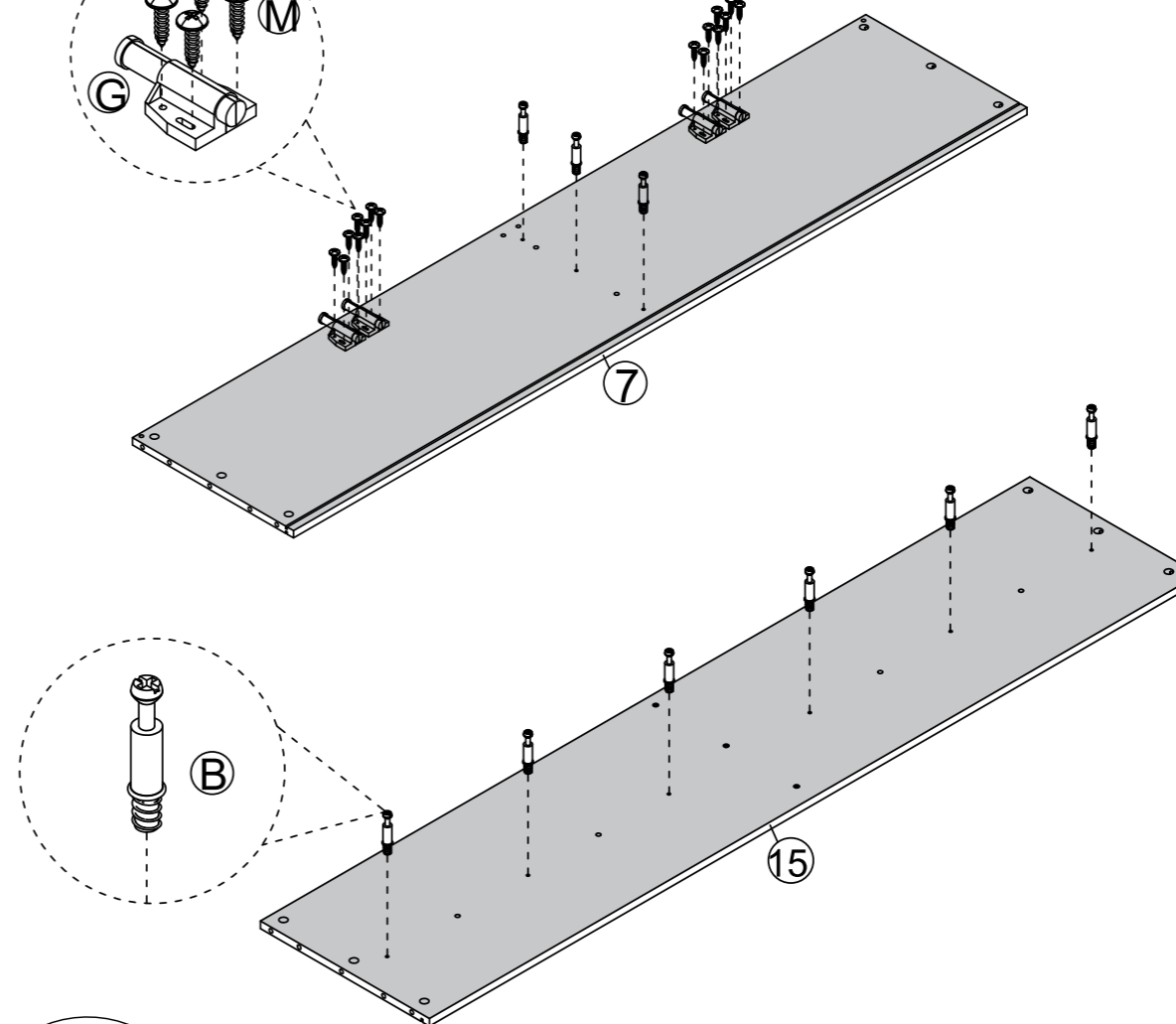
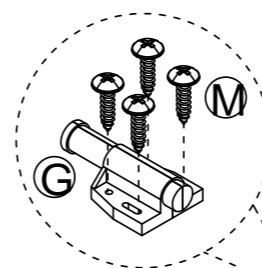
Assembly Instructions



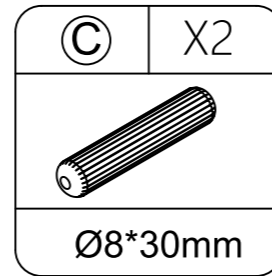
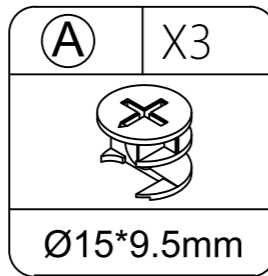
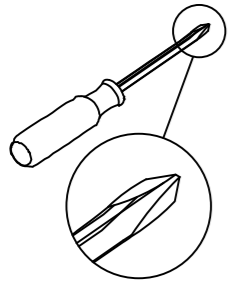
Step 1



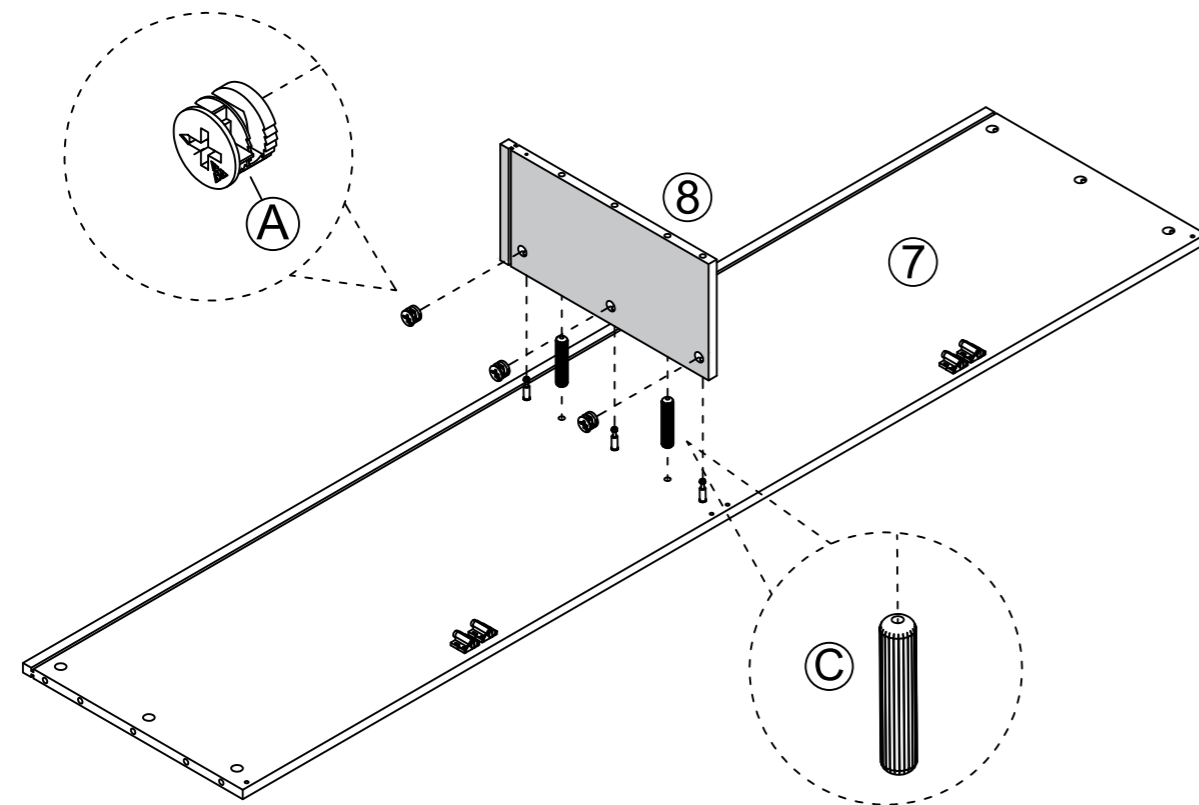
Attach accessory (B) to plates (7) and (15),
attach accessory (M),(G)to plate (7) .



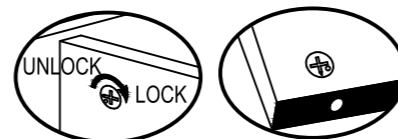
Step 2



Insert accessory (C) into the holes of plate (7) to connect plate (8), then secure with accessory (A).

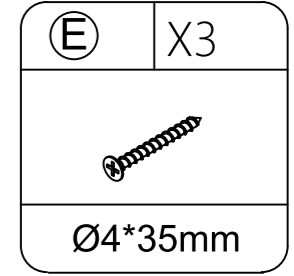
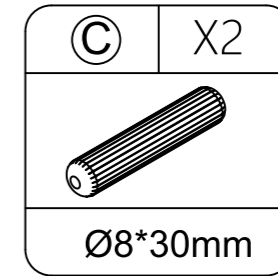
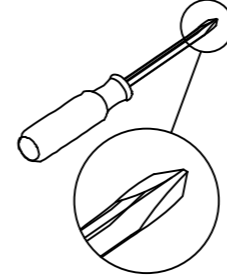


Insert the cam bolt into the hole first, then insert the cam lock and lock it.

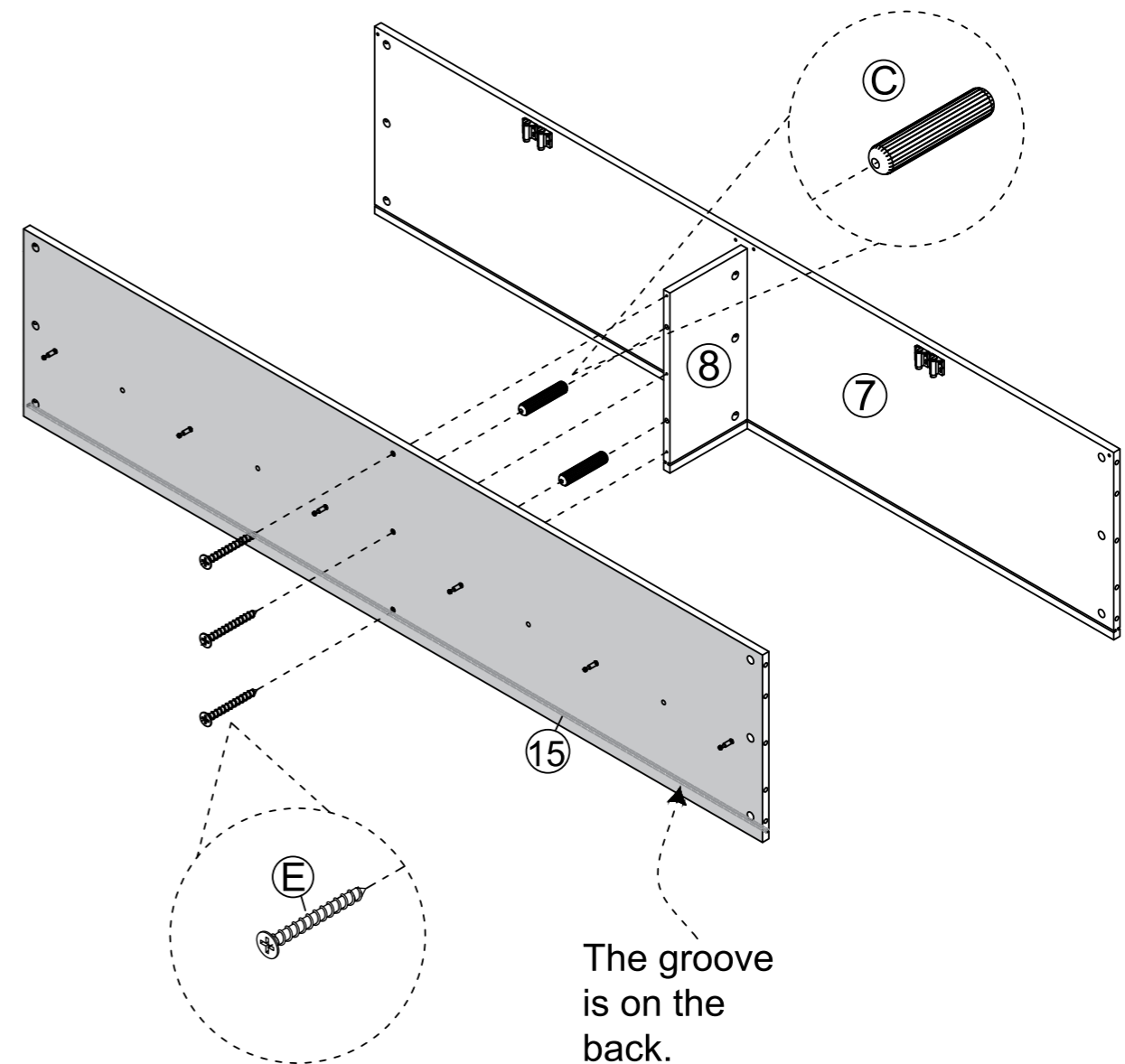


Proper orientation of CAM LOCK

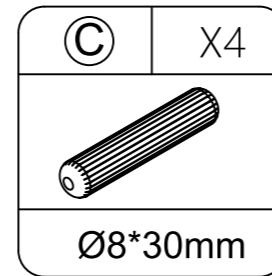
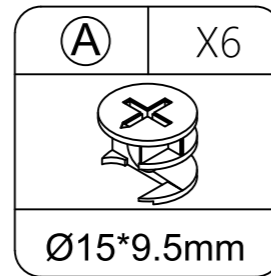
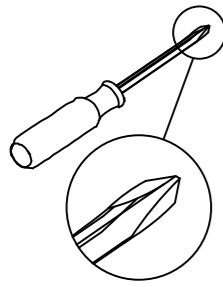
Step 3



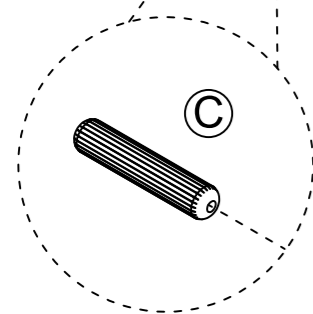
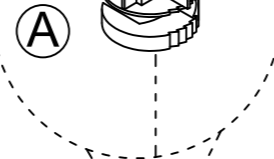
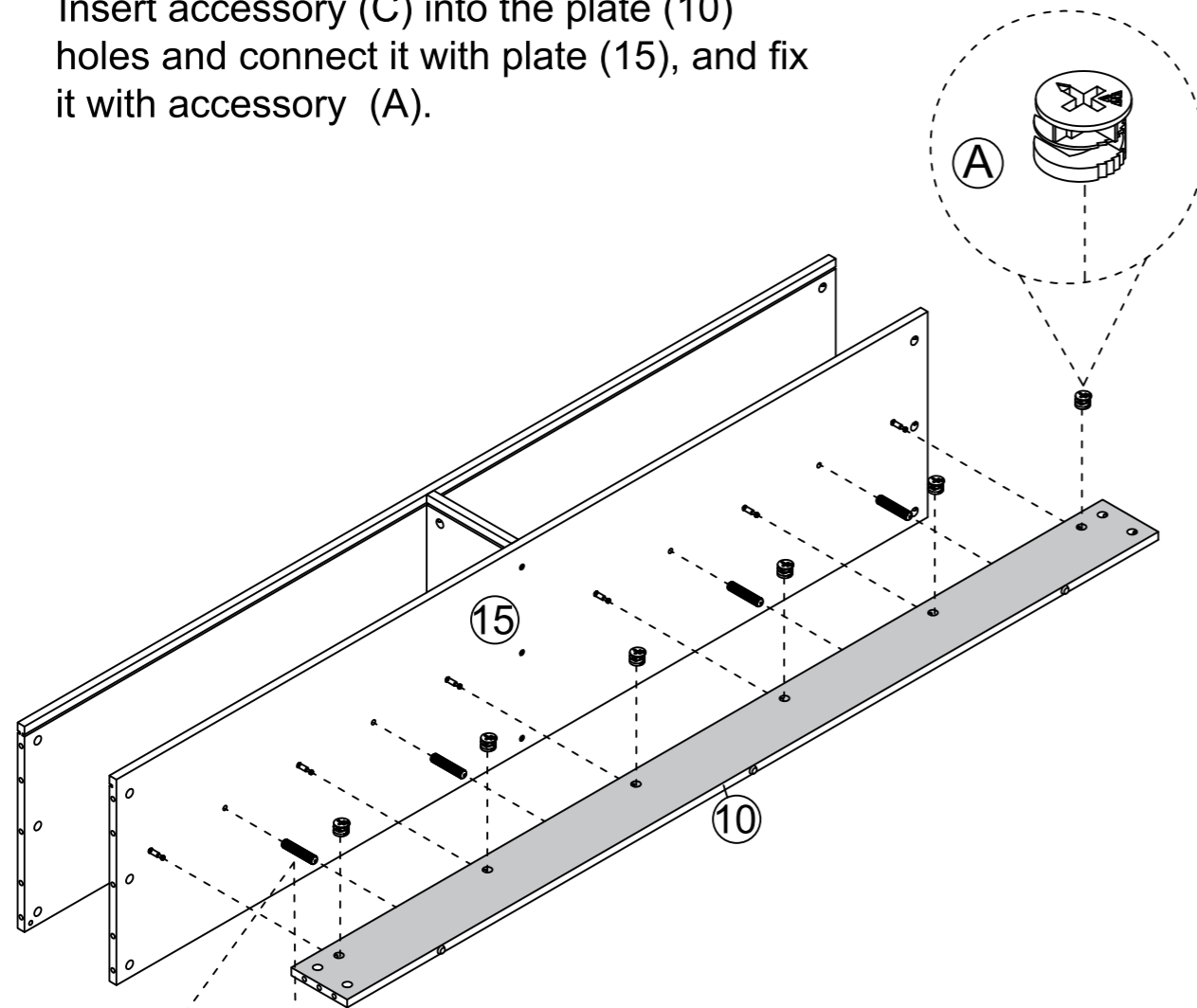
Insert accessory (C) into the plate (8) holes, fix it with screw (E) through plate (15).



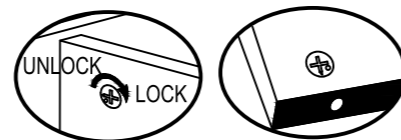
Step 4



Insert accessory (C) into the plate (10) holes and connect it with plate (15), and fix it with accessory (A).

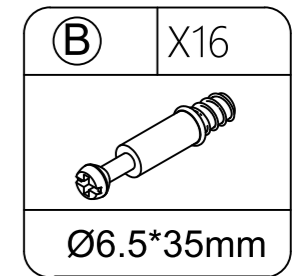
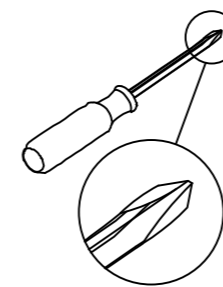


Insert the cam bolt into the hole first, then insert the cam lock and lock it.

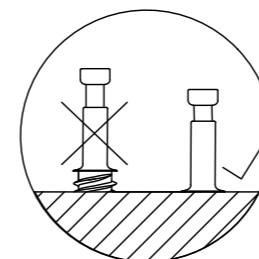
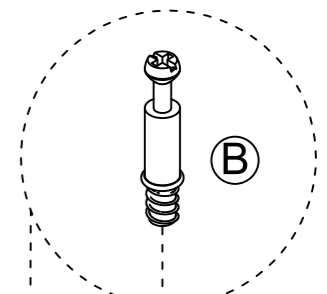
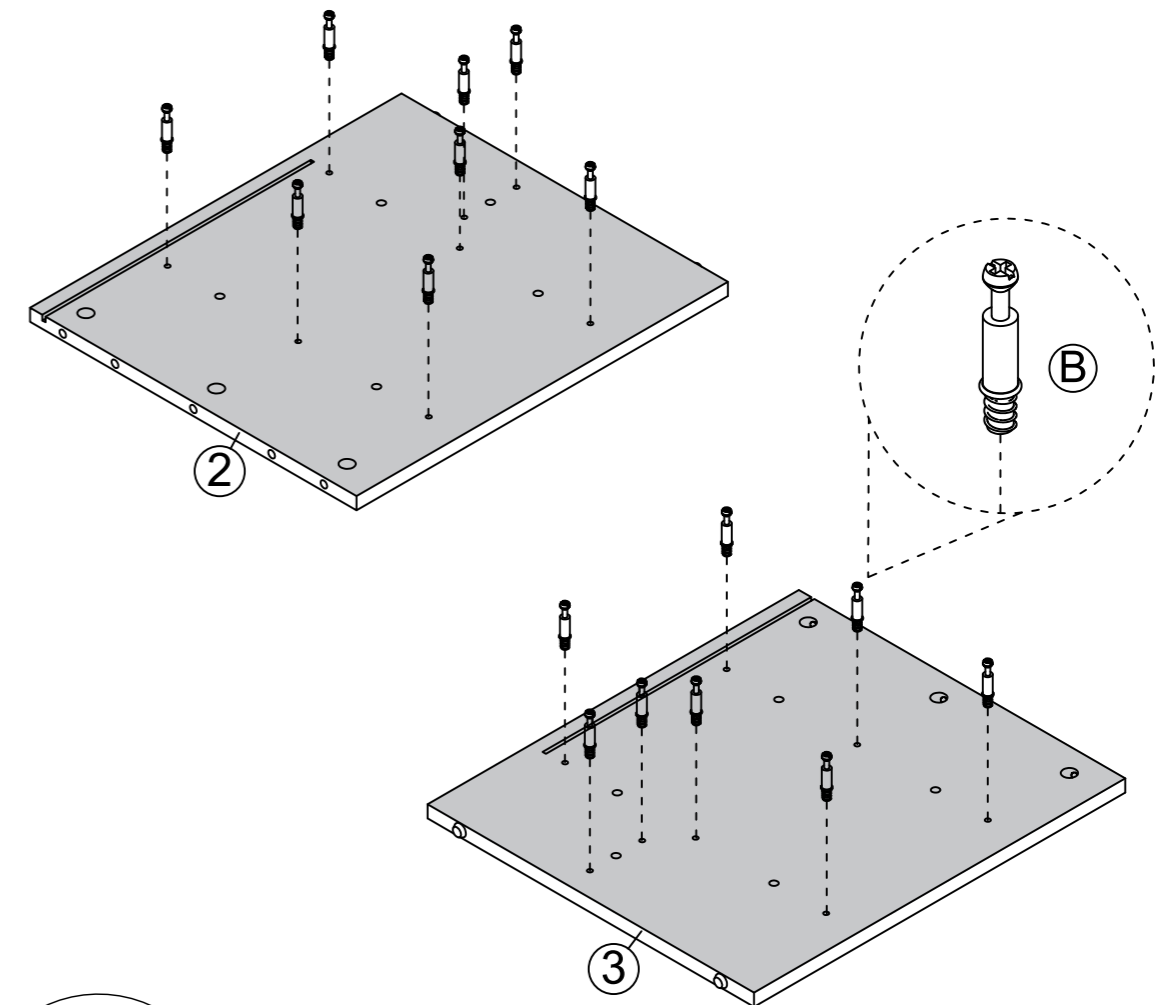


Proper orientation of CAM LOCK

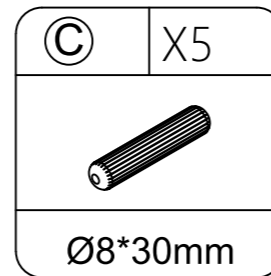
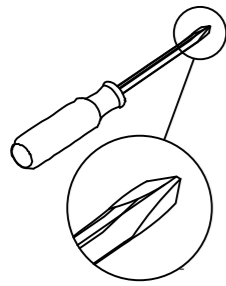
Step5



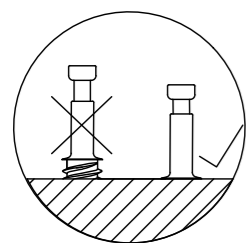
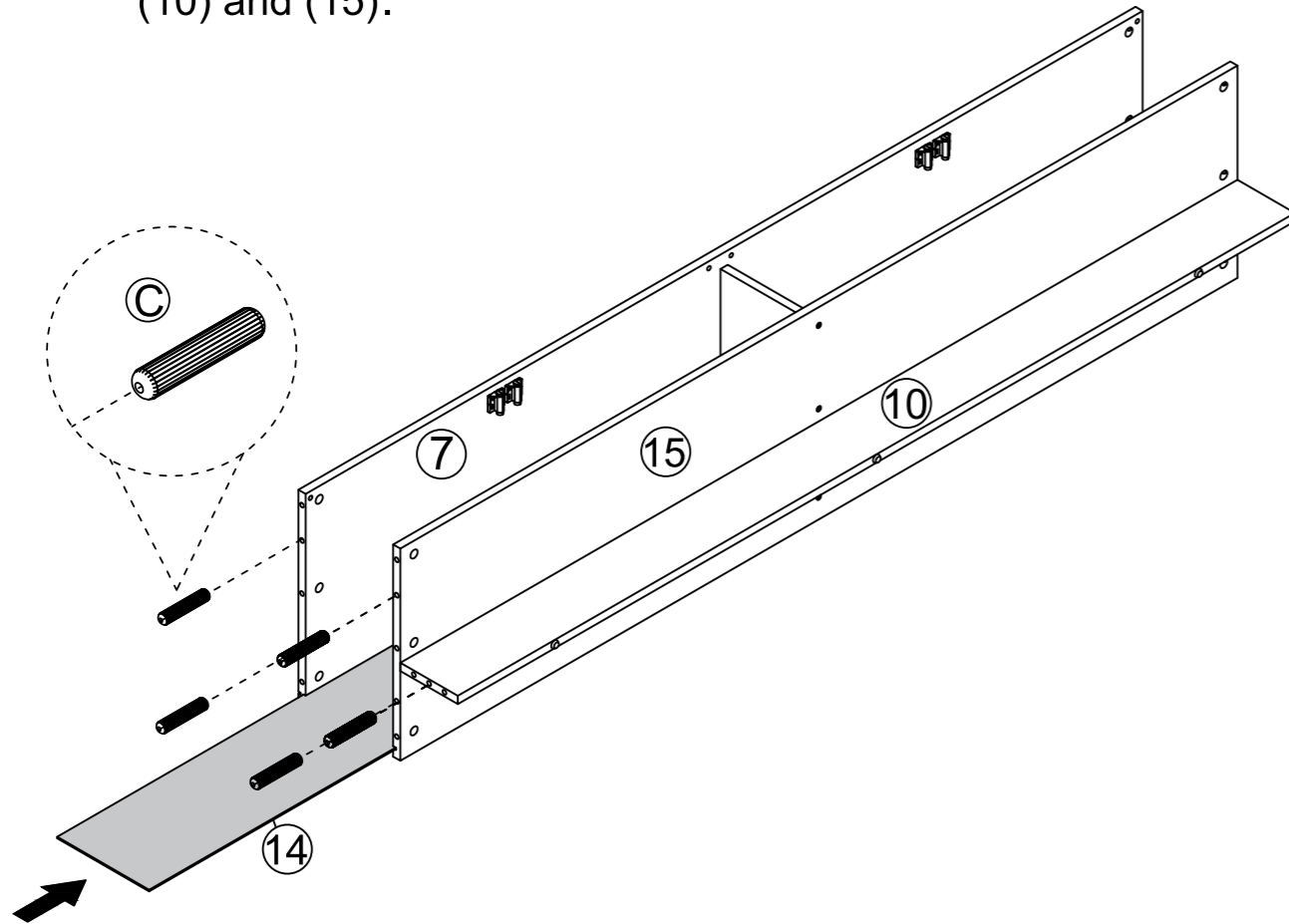
Attach Accessory (B) to plates (2) and (3).



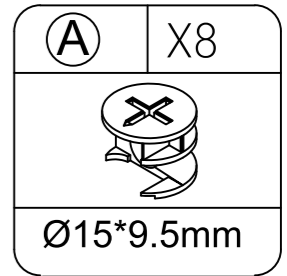
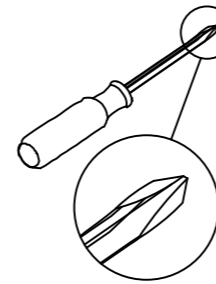
Step 6



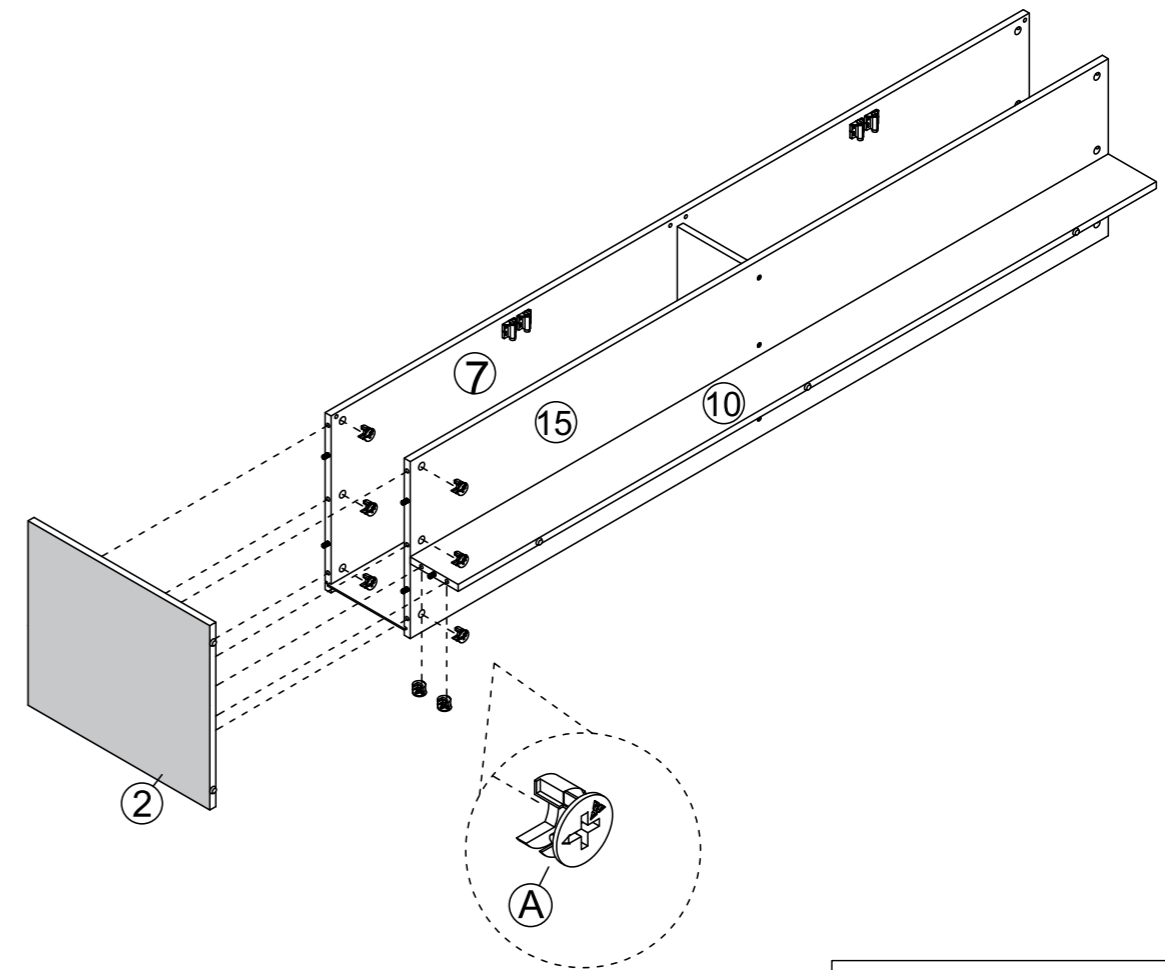
Insert plate (14) along the groove of plates (7) and (15). Insert accessory (C) into the holes of plates (7), (10) and (15).



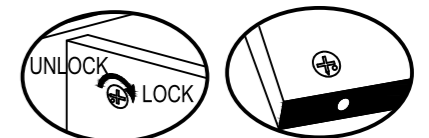
Step 7



Connect plates (7), (10) and (15) with plate (2), fix it with accessory (A).

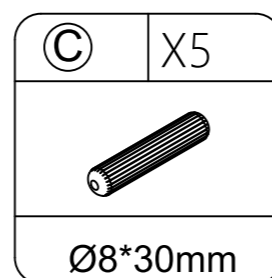
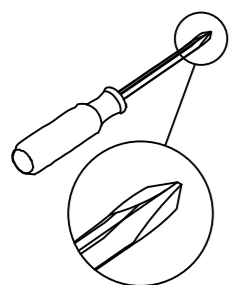


Insert the cam bolt into the hole first, then insert the cam lock and lock it.

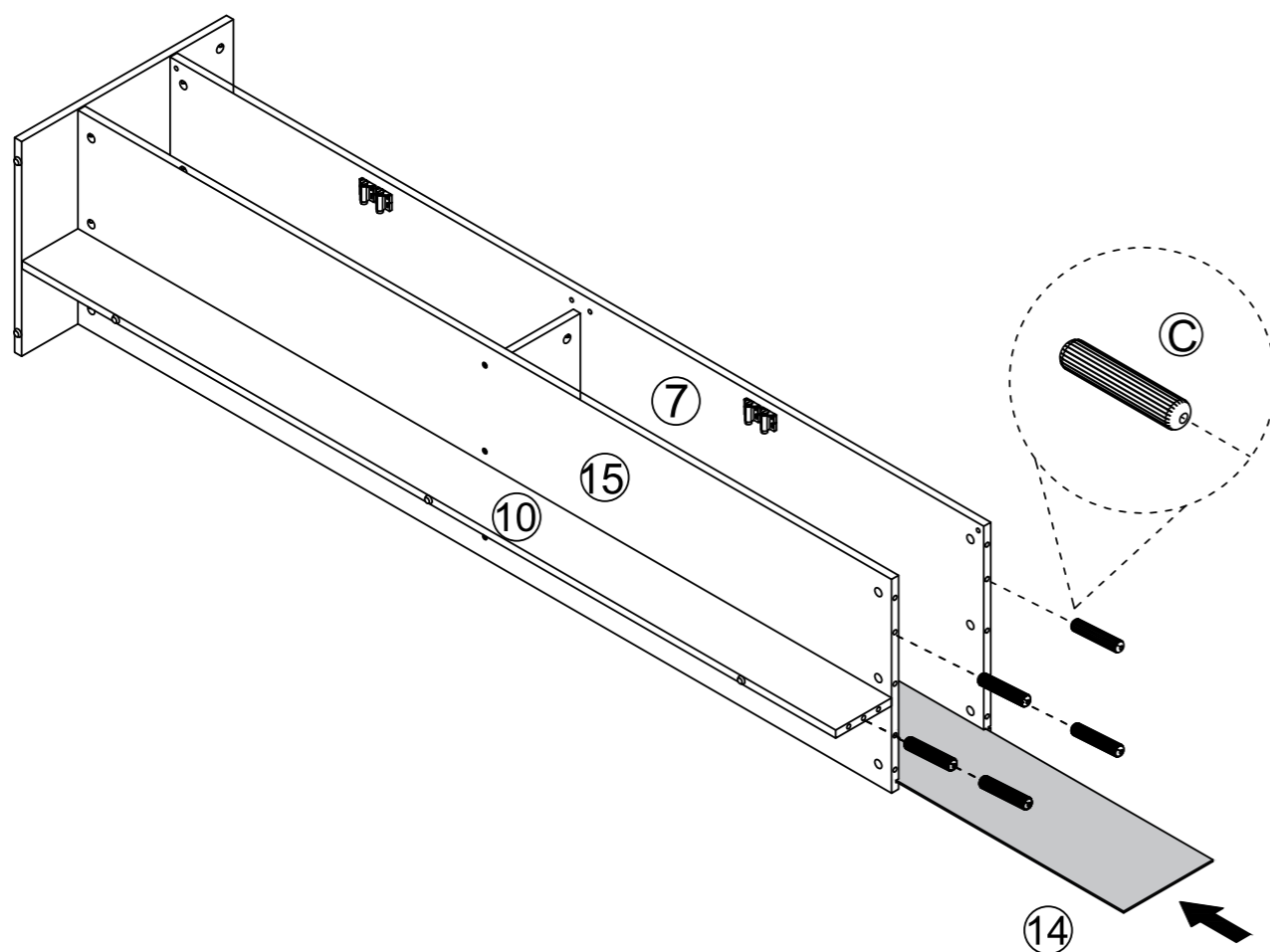


Proper orientation of CAM LOCK

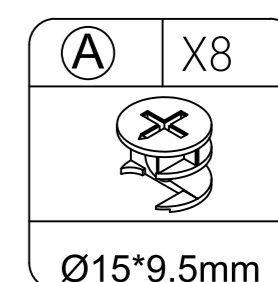
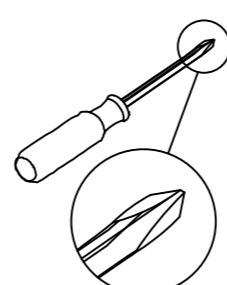
Step 8



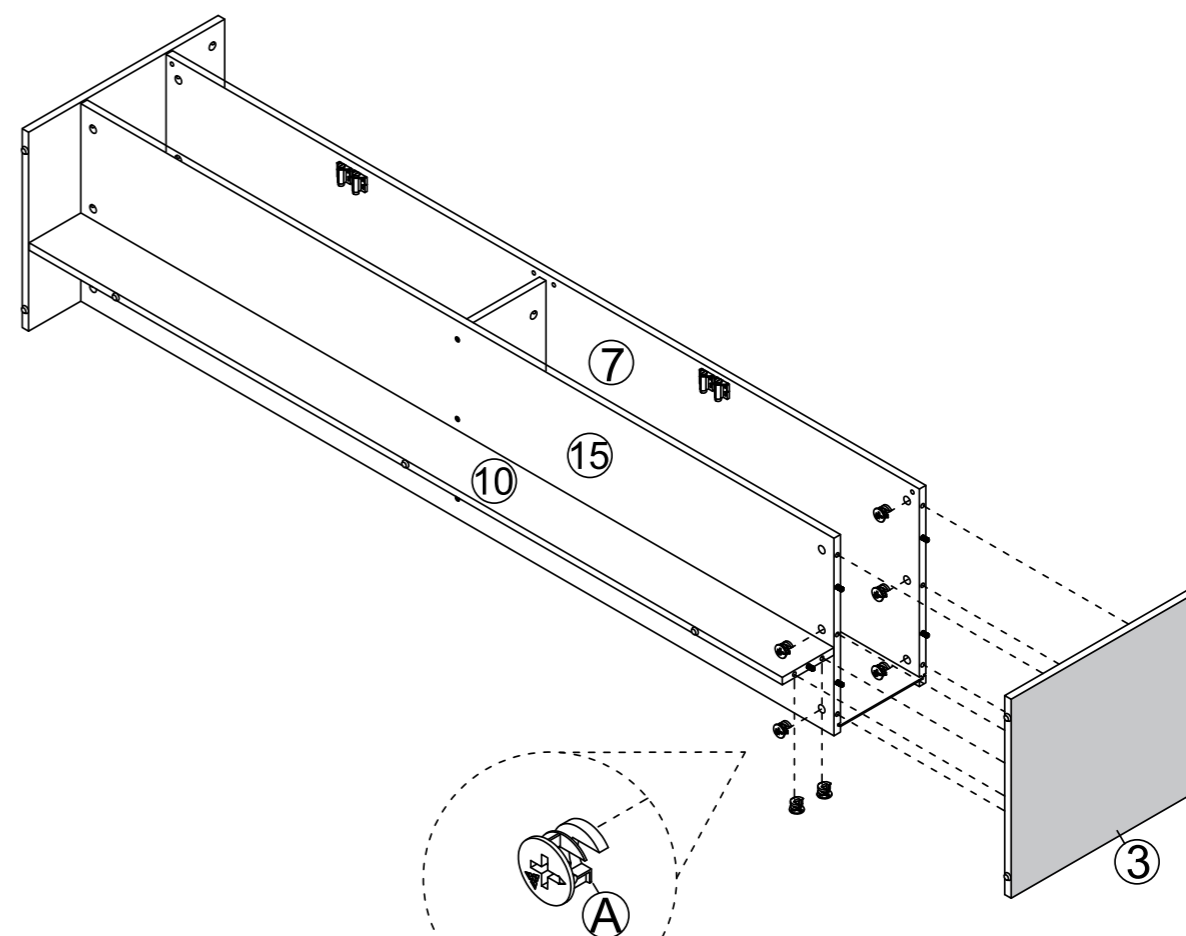
Insert plate (14) along the groove of plates (7) and (15). Insert accessory (C) into the holes of plates (7), (10) and (15).



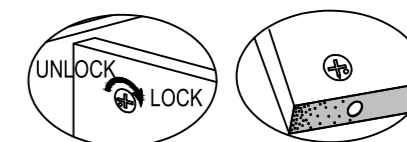
Step 9



Connect plates (7), (10) and (15) with plate (3), fix it with accessory (A).

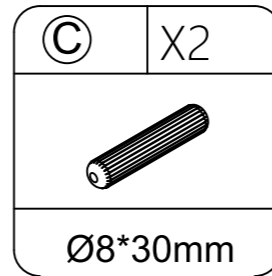
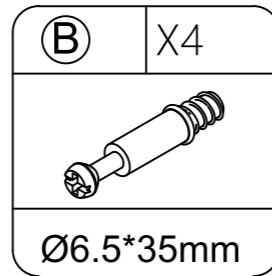
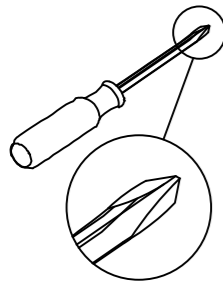


Insert the cam bolt into the hole first, then insert the cam lock and lock it.

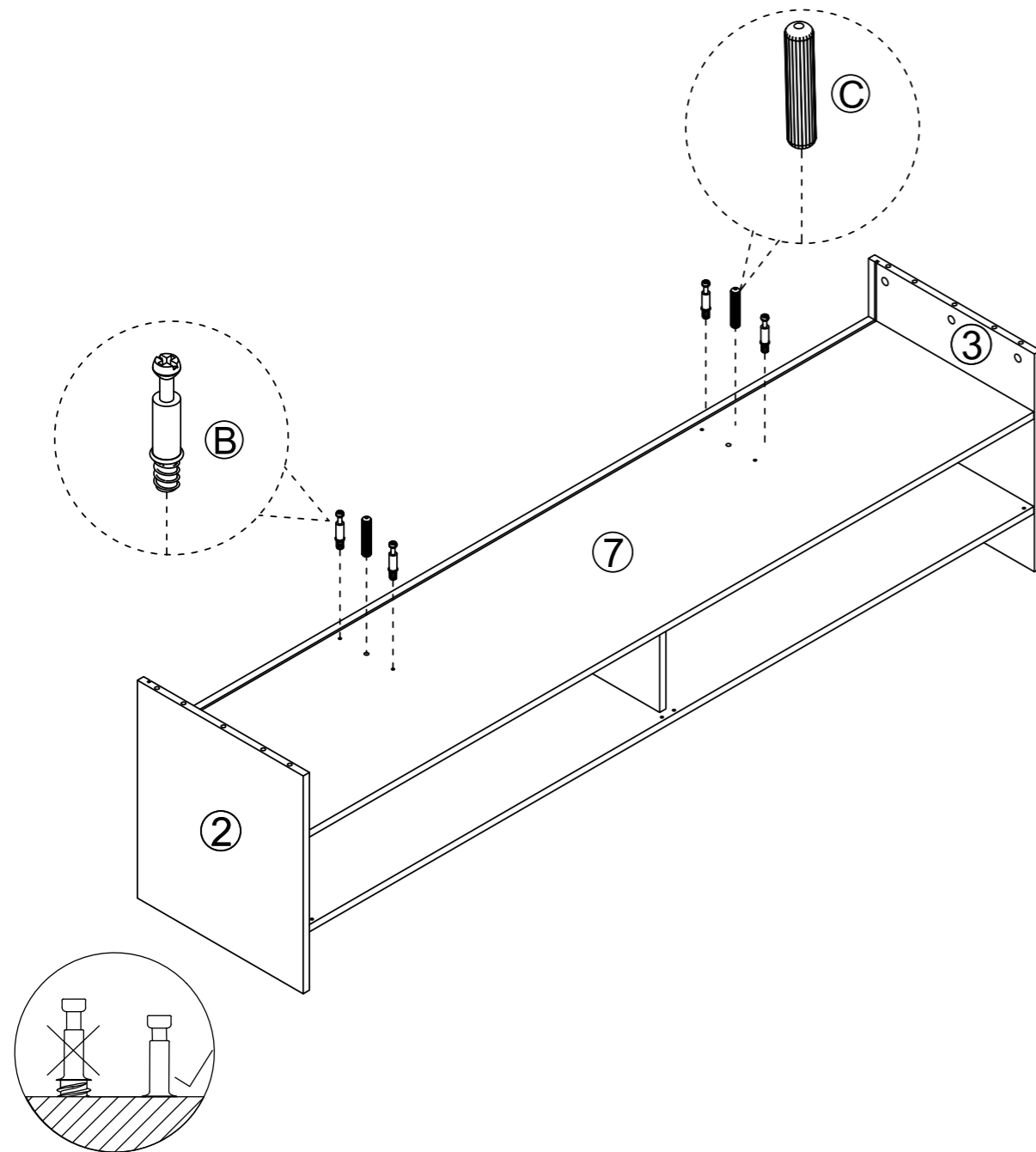


Proper orientation of CAM LOCK

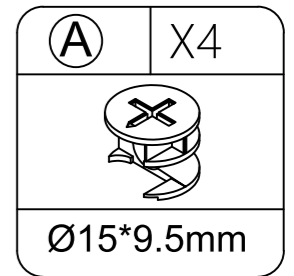
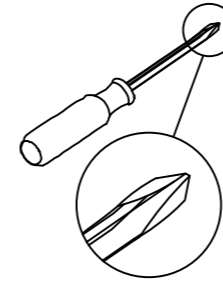
Step 10



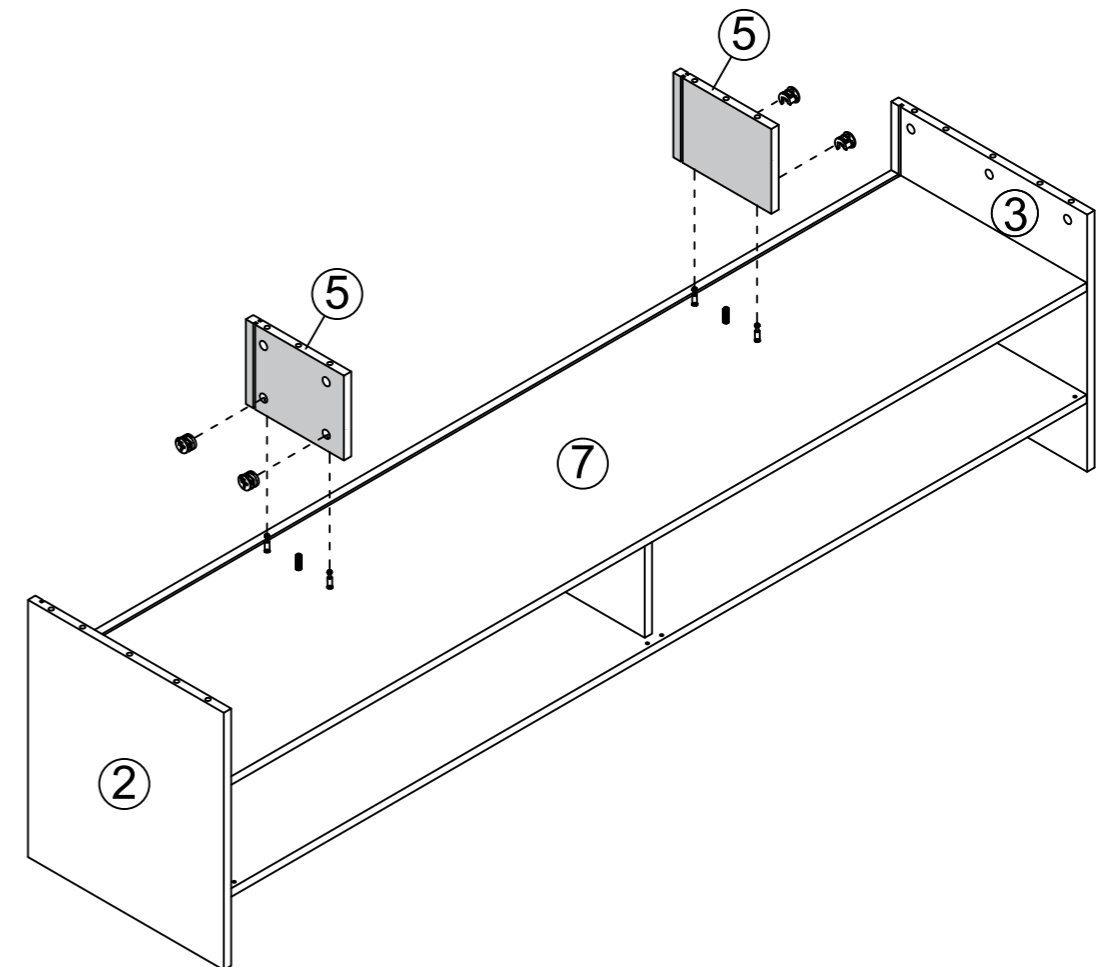
Fix accessory (B) onto plate (7), then insert accessory (C) into the holes of plate (7).



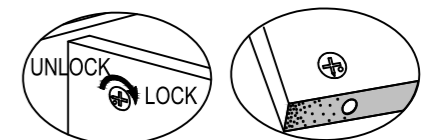
Step 11



Connect panel (5) to plate (7), then secure it using accessory (A).

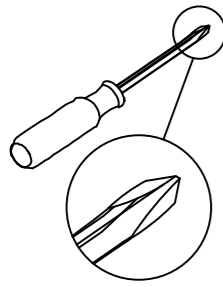


Insert the cam bolt into the hole first, then insert the cam lock and lock it.

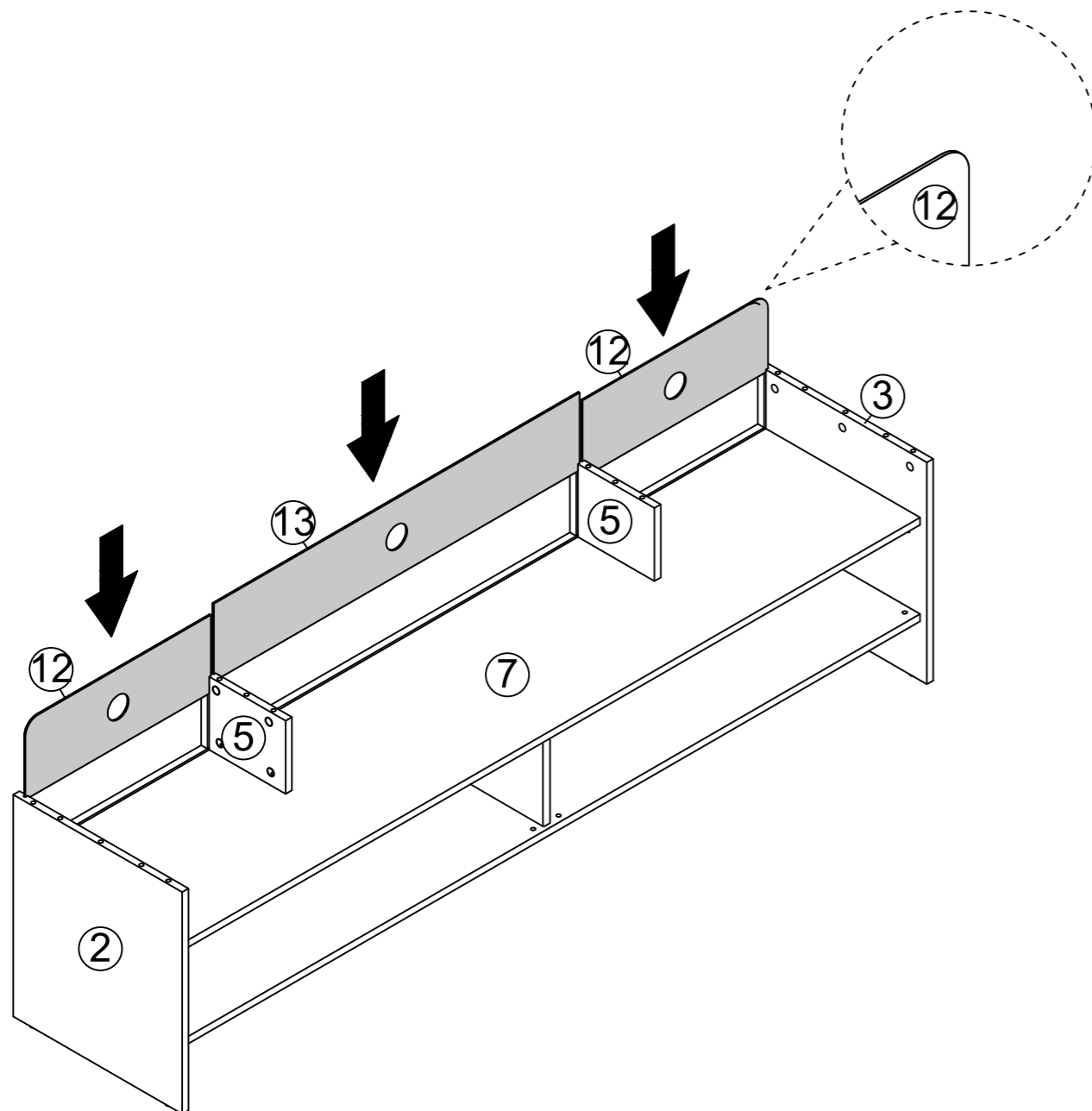


Proper orientation of CAM LOCK

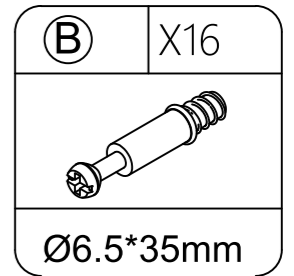
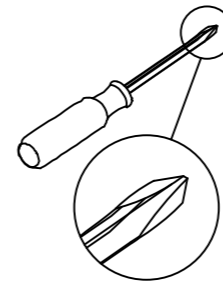
Step 12



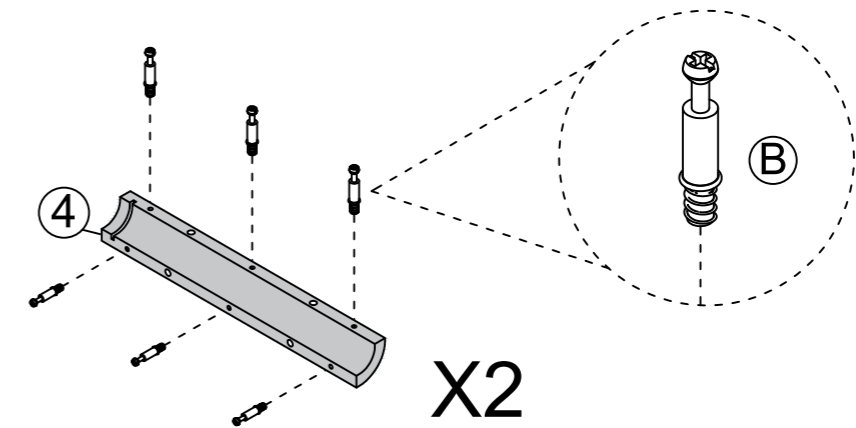
Insert plates (12) and (13) along the grooves of plates (2), (3), and (5).



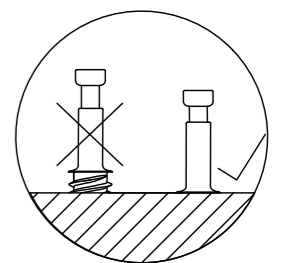
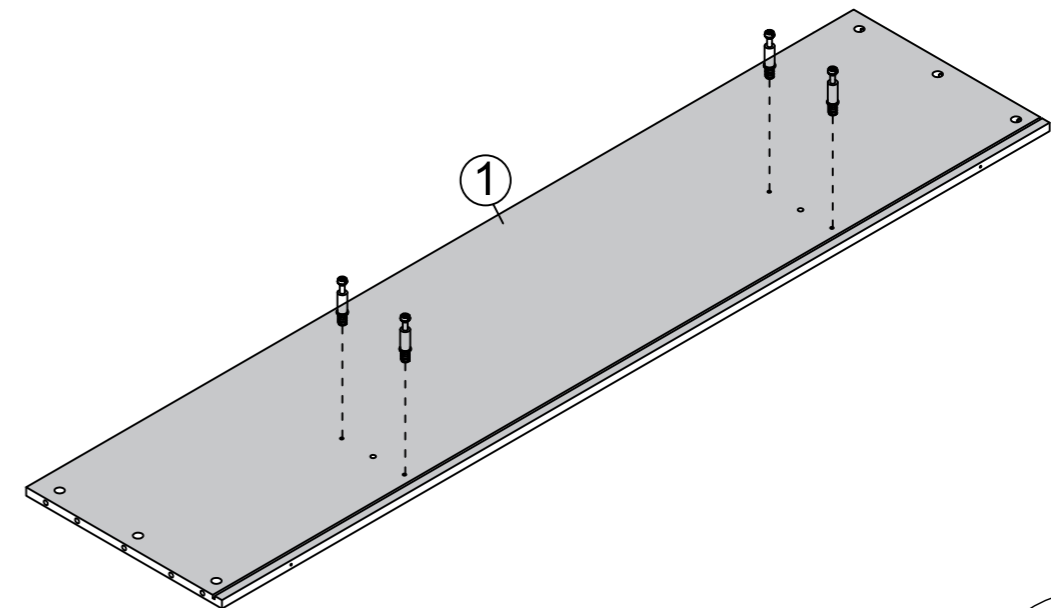
Step 13



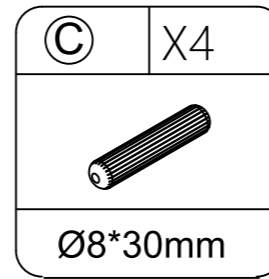
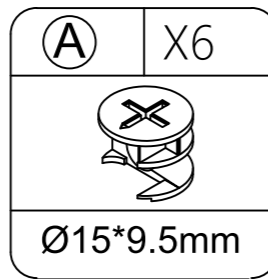
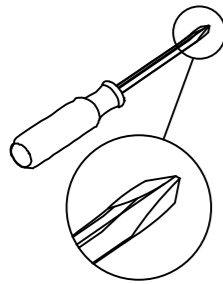
Attach accessory (B) to plates (1) and (4).



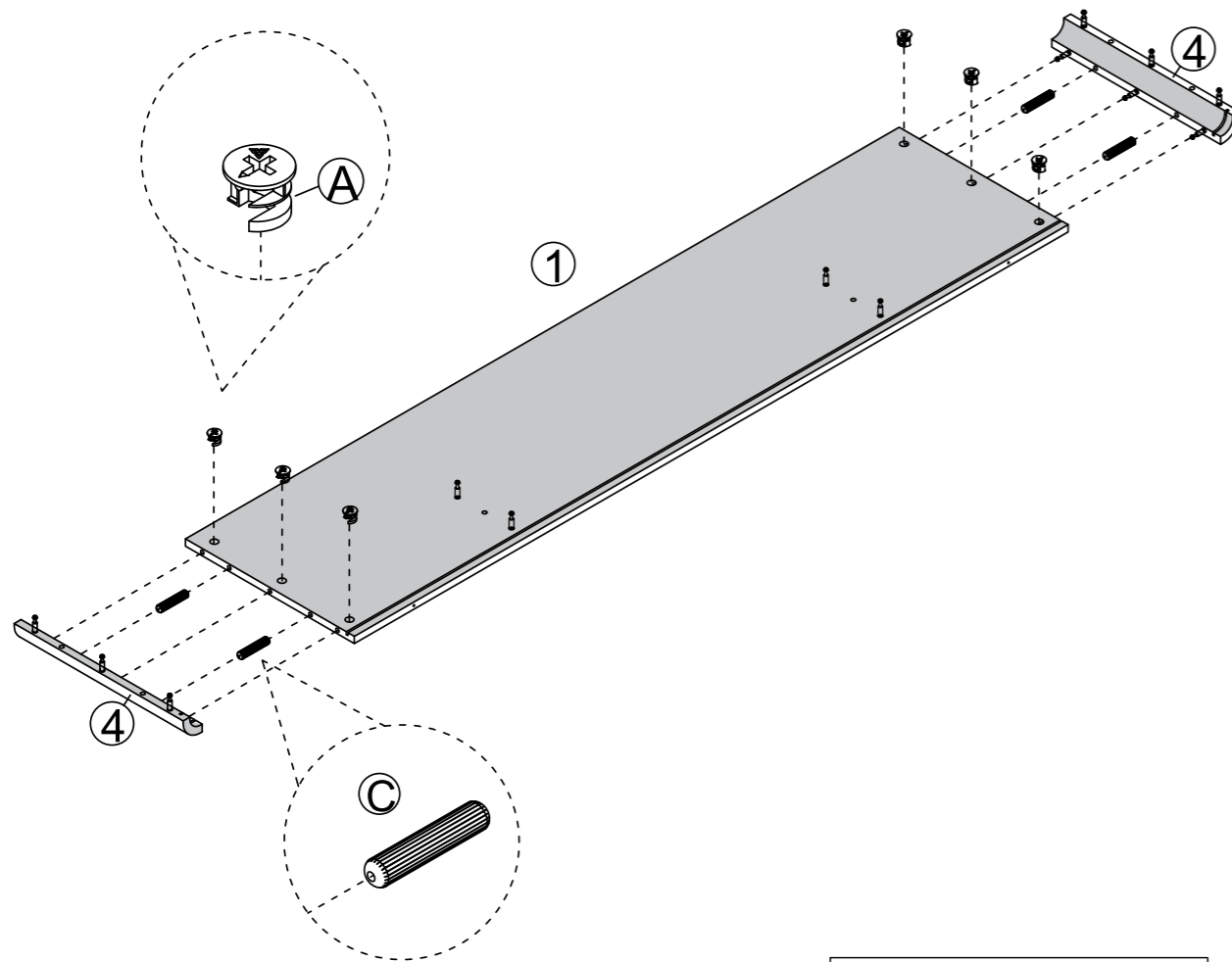
X2



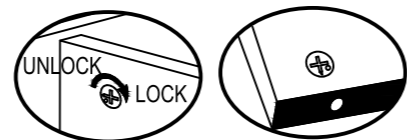
Step 14



Insert accessory (C) into the hole of plate (1), connect with plate (4), fix it with accessory (A).

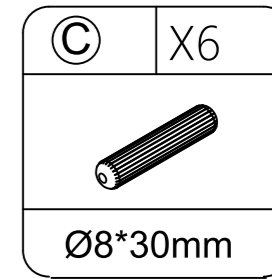
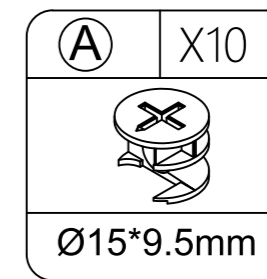
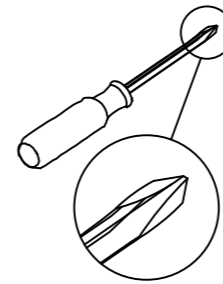


Insert the cam bolt into the hole first, then insert the cam lock and lock it.

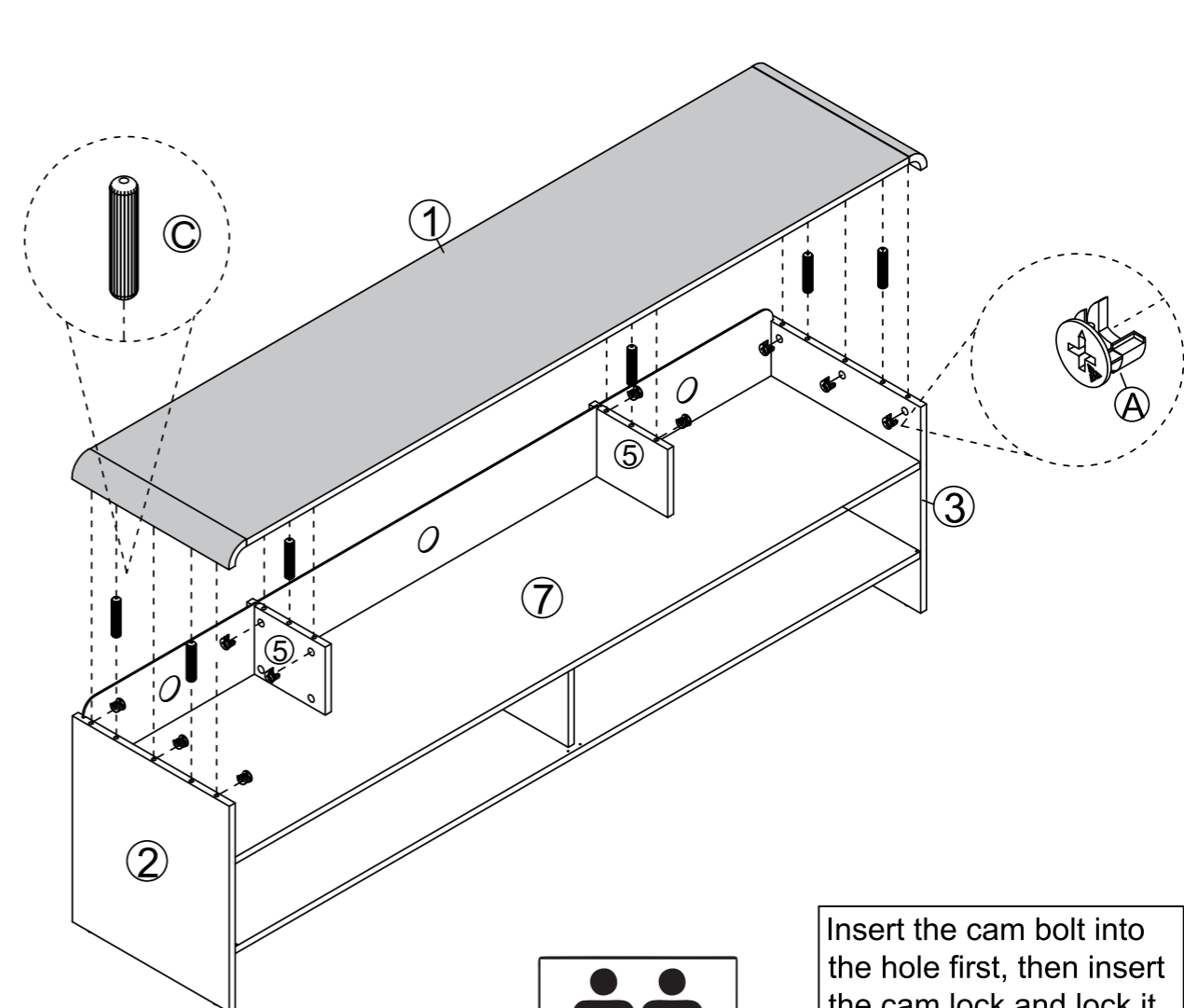


Proper orientation of CAM LOCK

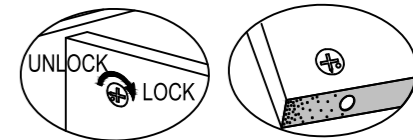
Step 15



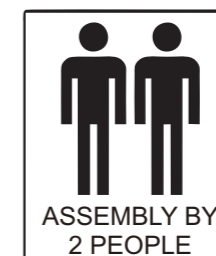
Insert accessory (C) into the holes plates (2), (3) and (5) then connect it panel (1), fix it with accessory (A).



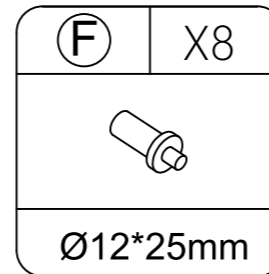
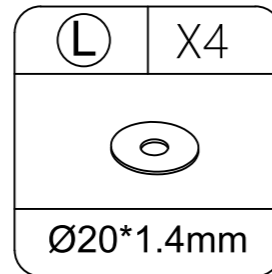
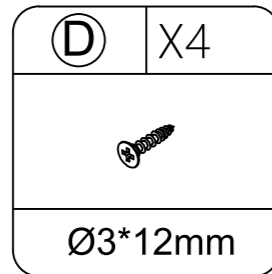
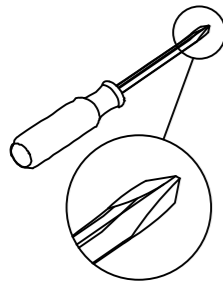
Insert the cam bolt into the hole first, then insert the cam lock and lock it.



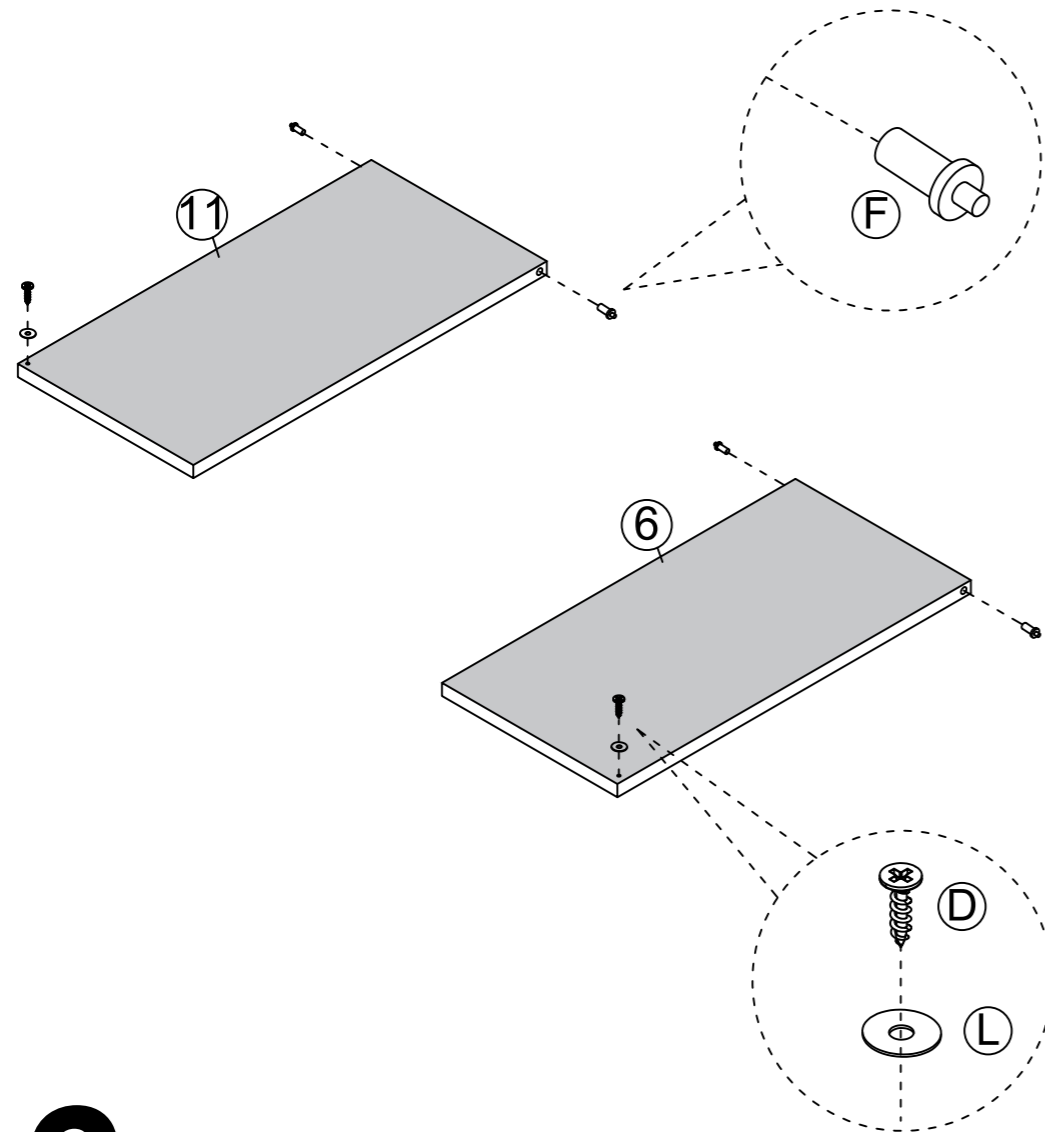
Proper orientation of CAM LOCK



Step 16



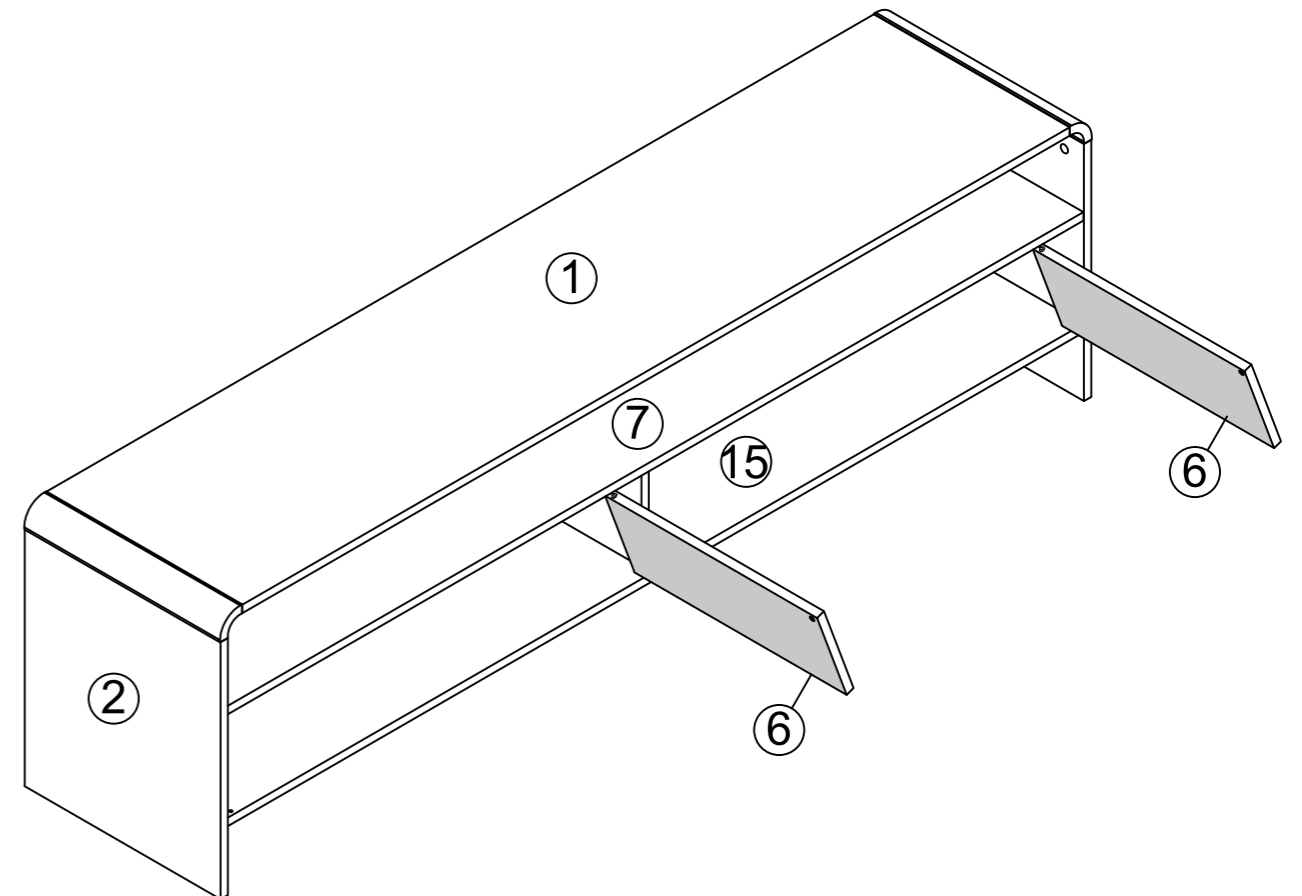
Use screws (D) to separately attach accessory (L) to plates (11) and (6), finally, insert accessory (F) into plate (11) and (6) respectively.



x2

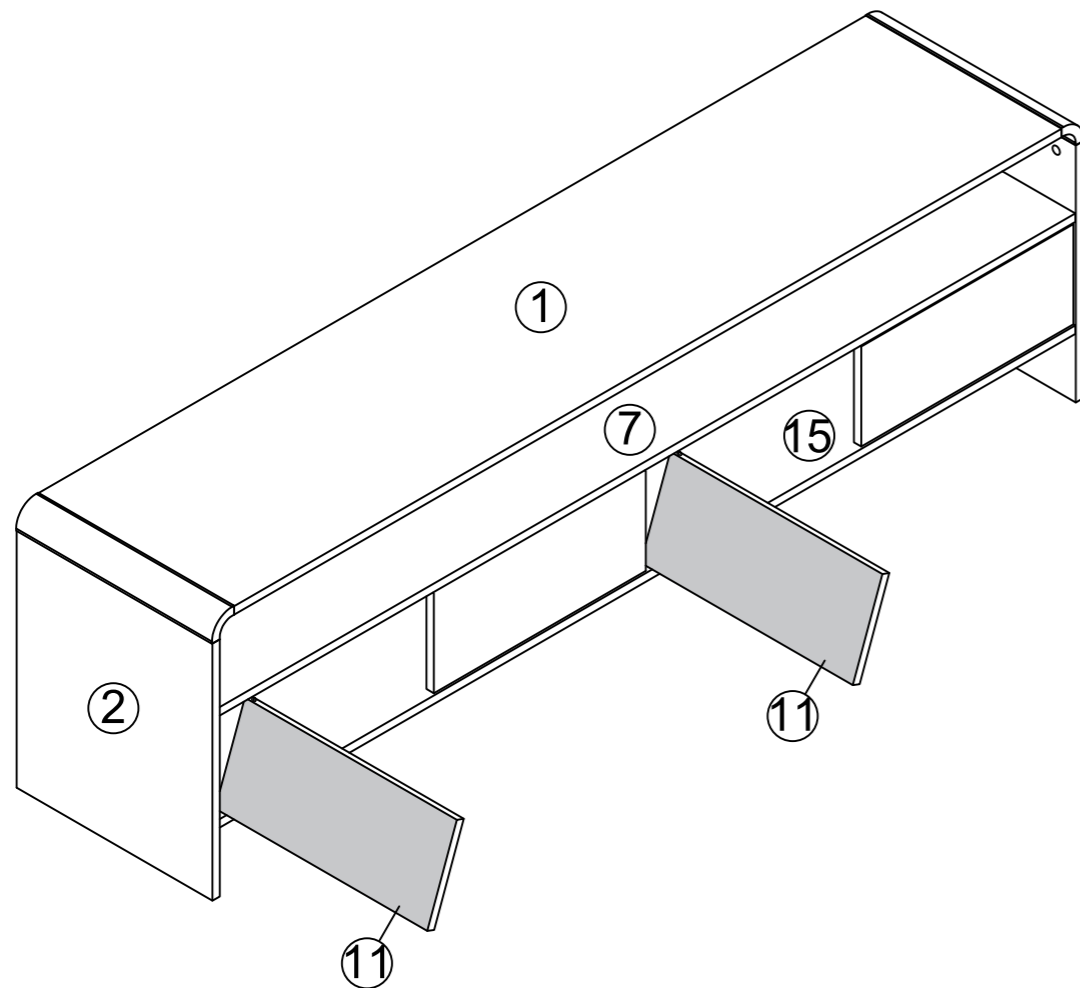
Step 17

Align the position of the accessory (F) beneath plate (6) with the corresponding hole on plate (15), then tilt and push the upper accessory (F) into the hole on plate (7).

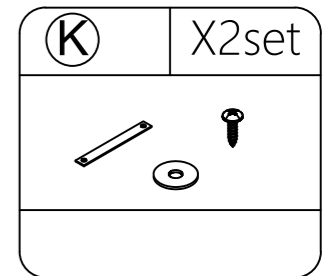
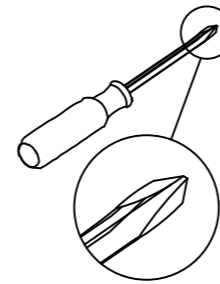


Step 18

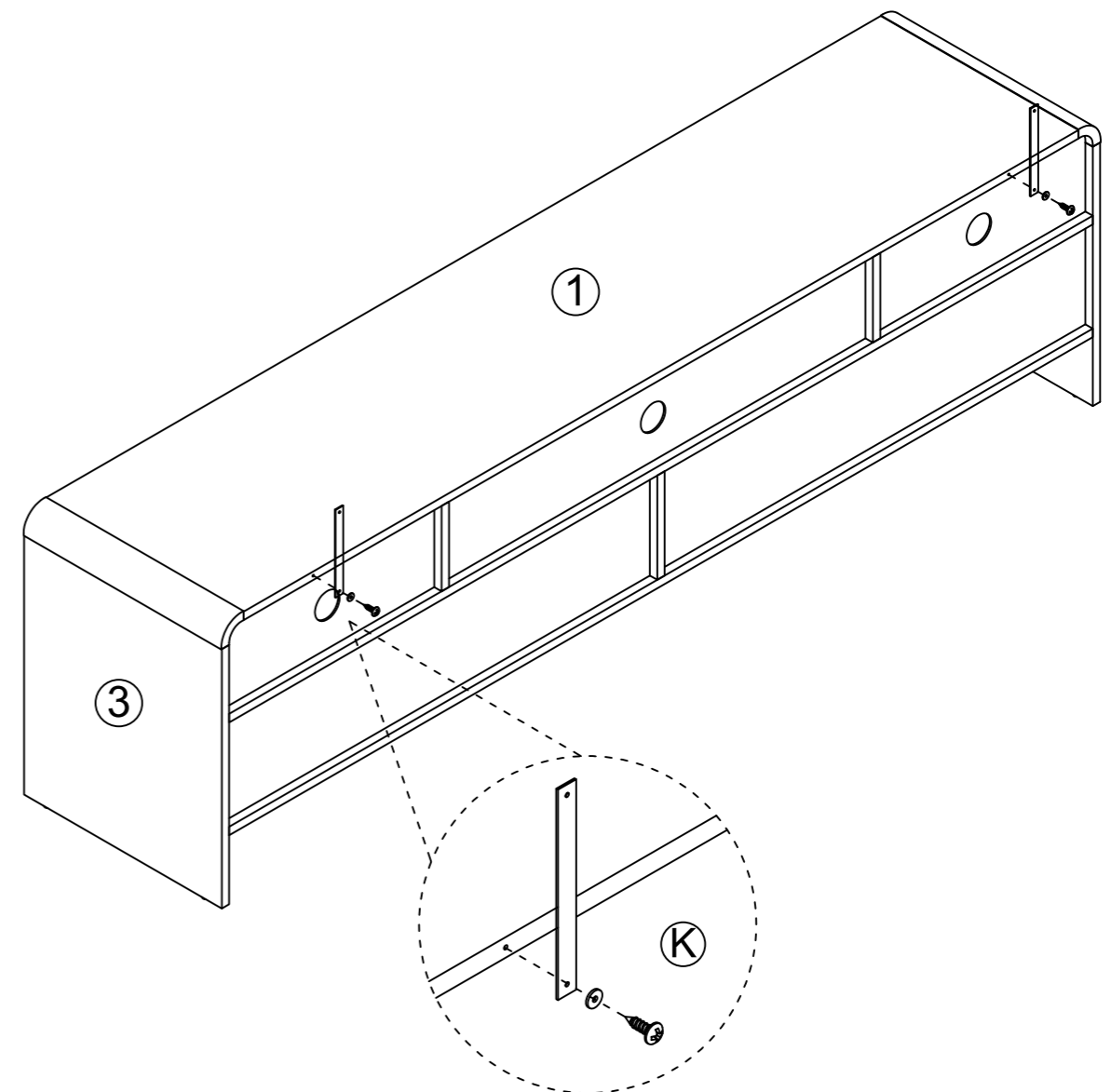
Align the position of the accessory (F) beneath plate (11) with the corresponding hole on plate (15), then tilt and push the upper accessory (F) into the hole on plate (7).



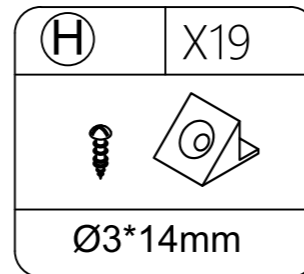
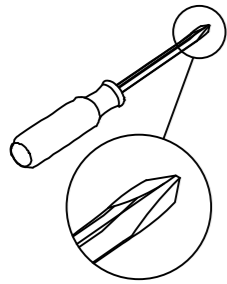
Step 19



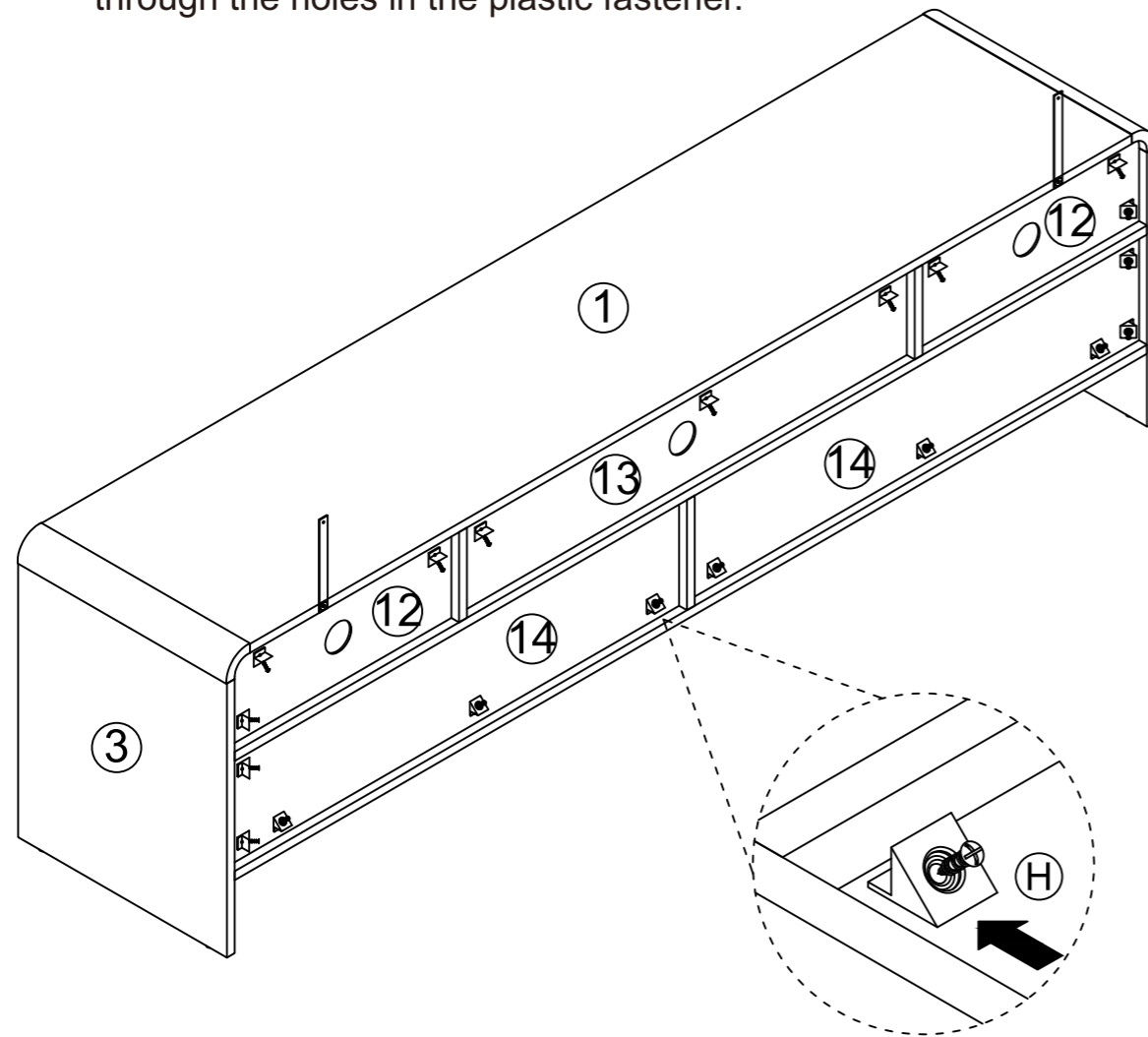
Install accessory (K) on plate (1) as shown.



Step 20

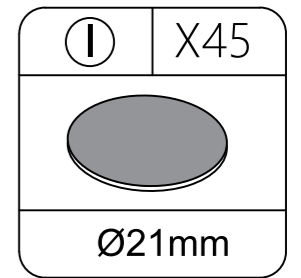


Insert plastic clips (H) into the slots in back panels (12), (13), and (14). Then tighten and secure it by screwing bolts through the holes in the plastic fastener.

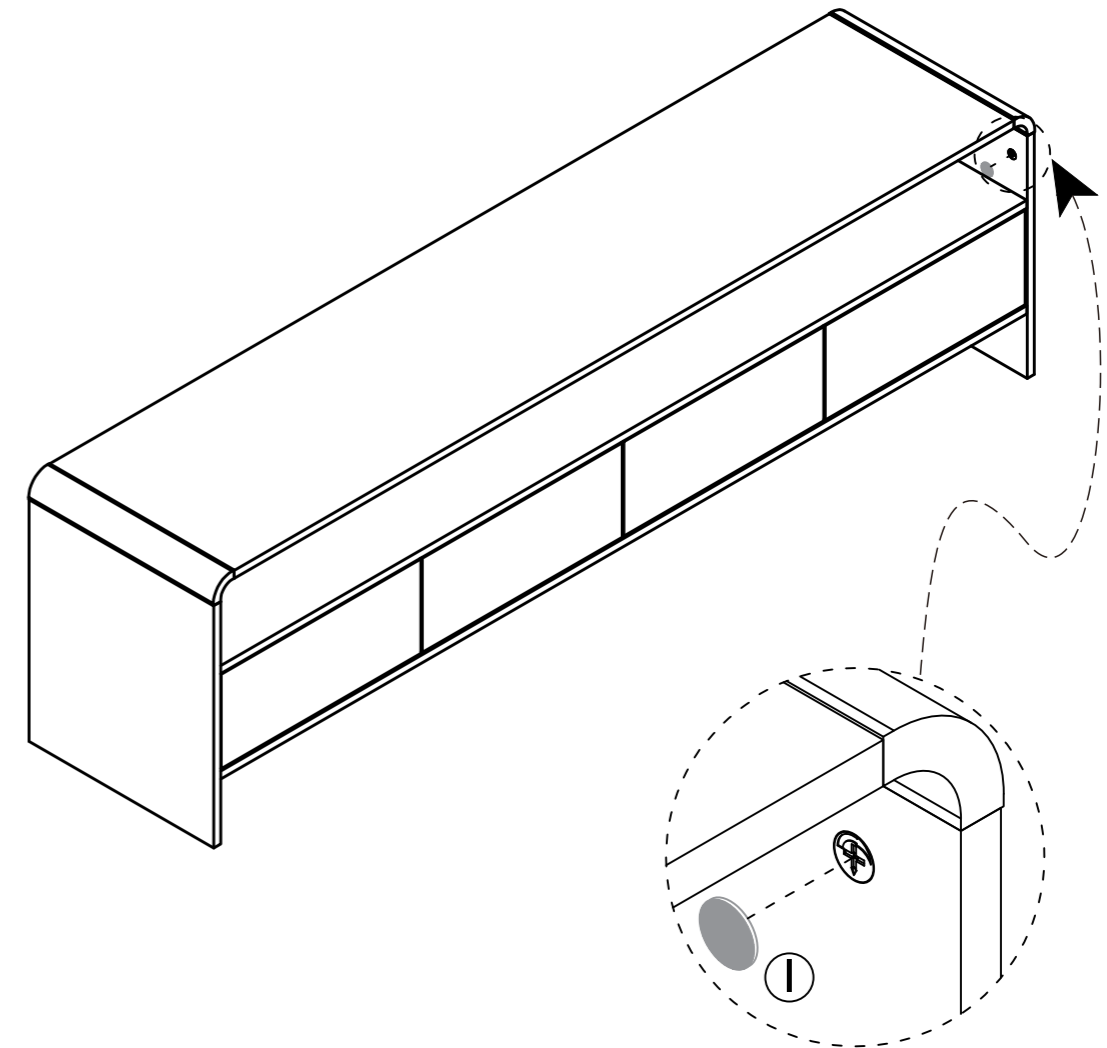


Insert the plastic snap-in clip into the back panel's slots and lock it into place by driving screws through the holes in the clip.

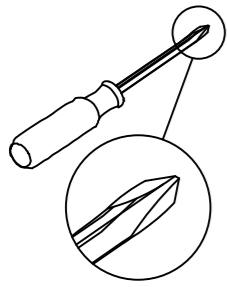
Step 21



Apply 45 screw hole stickers (I) to cover exposed screws and improve the overall appearance. This step may be skipped if desired.



Step 22

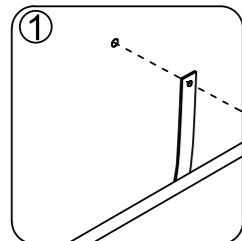
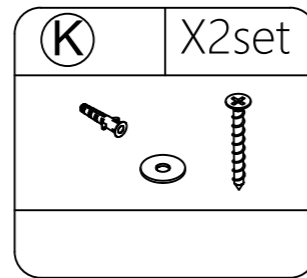

 **WARNING**


Children have died from furniture tipover. To reduce the risk of furniture tipover:

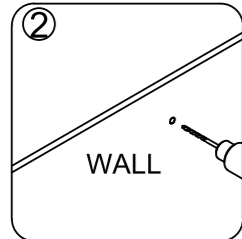
- ALWAYS install Anti-tip device provided.
- Maximum TV Size 70" Maximum Load: 50 kg/ 110 lb
- NEVER allow children to stand, climb or hang on drawers, doors, or shelves.

This is a permanent label. Do not remove!

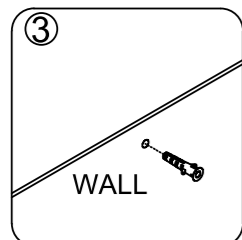
Install the anti-tip hardware:



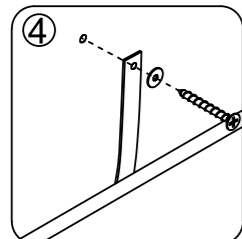
1. Mark the wall.



2. Drill two Ø6mm holes on the wall.



3. Insert two anchors into the holes.



4. Secure the anti-tip hardware to the wall with the long screws.

