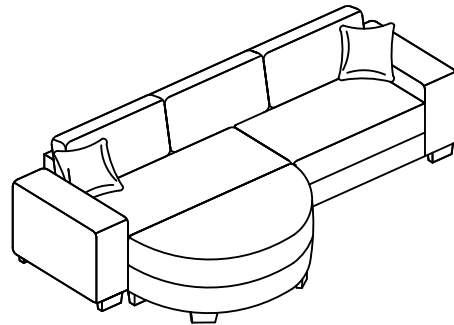
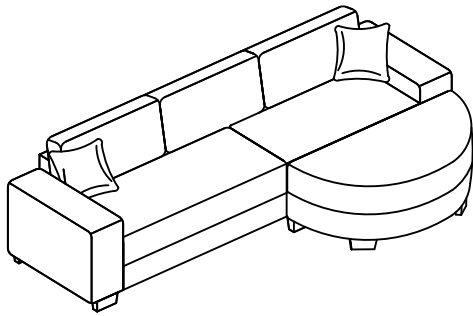
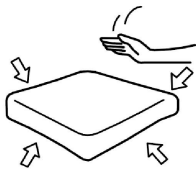


ASSEMBLY INSTRUCTION

2109

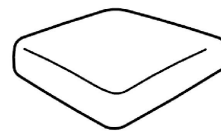


01



Due to package compression for better shipment, the fabric may have wrinkles, these wrinkles will gradually disappear.

02



Please be patient and wait for the couch to return to its fluff state, which will take anywhere from 72 hours to a week.



WARNING

Plastic bags can be dangerous. To avoid danger of suffocation, keep this bag away from babies and children.

ATTENTION

Les sacs plastique peuvent être dangereux. Pour éviter le danger de suffocation, ne laissez pas ces sacs à la portée des bébés ni des enfants.

ADVERTENCIA

Para evitar riesgo de asfixia, mantenga las bolsas de plástico fuera del alcance de los niños y bebés.

ATTENZIONE

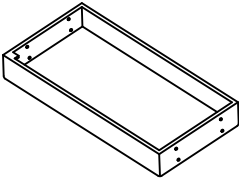
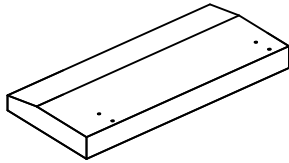
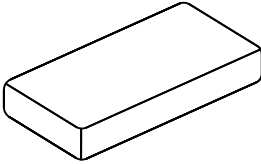
Il sacchetto di plastica può essere pericoloso. Per evitare il pericolo di soffocamento, tieni questo sacchetto lontano da bambini e fanciulli.

VORSICHT

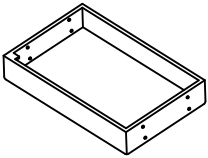
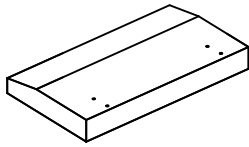
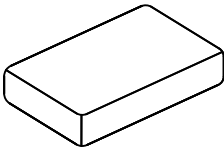
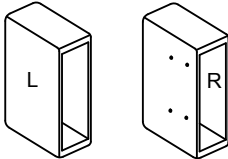
Polybeutel können gefährlich sein. Um Erstickengefahr zu vermeiden, bitte diesen Beutel nie in Reichweite von Säuglingen und Kleinkindern ablegen.



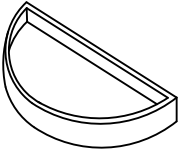
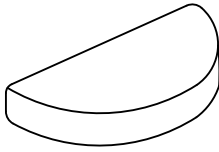
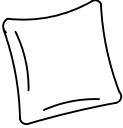
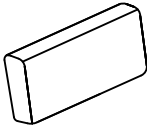
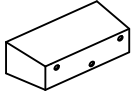

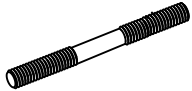



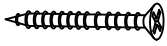


BOX1:2109-L-SOFA PARTS

A		x1	B		x1
C		x1			

BOX2:2109-R-SOFA PARTS

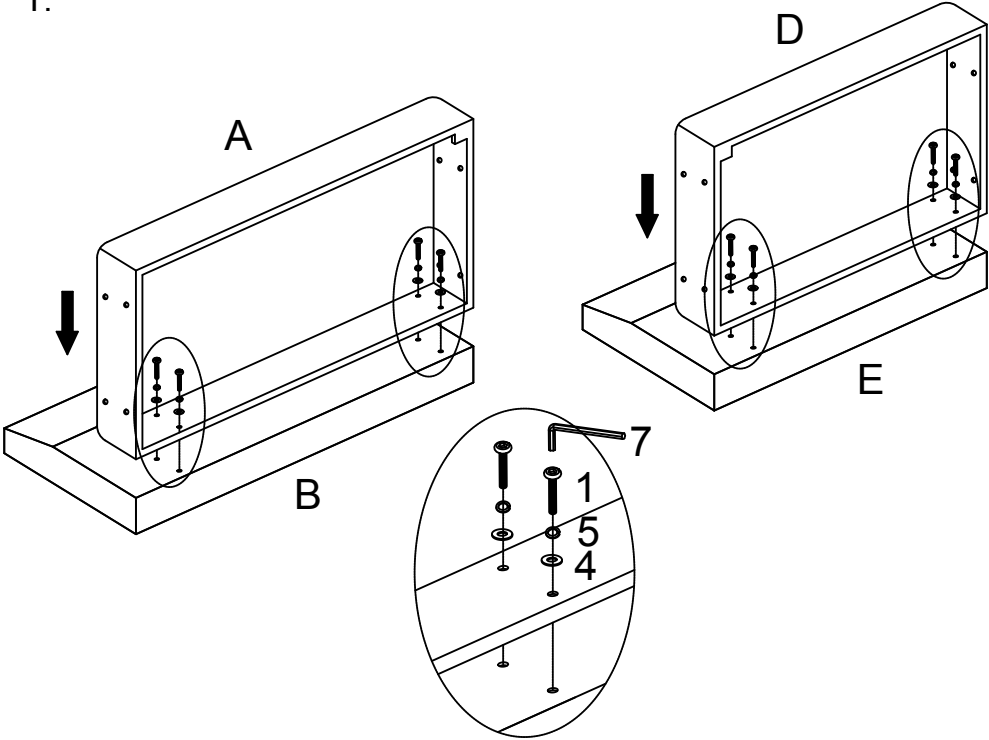
D		x1	E		x1
F		x1	G		x2

BOX3:2109-0T PARTS AND HARDWARE

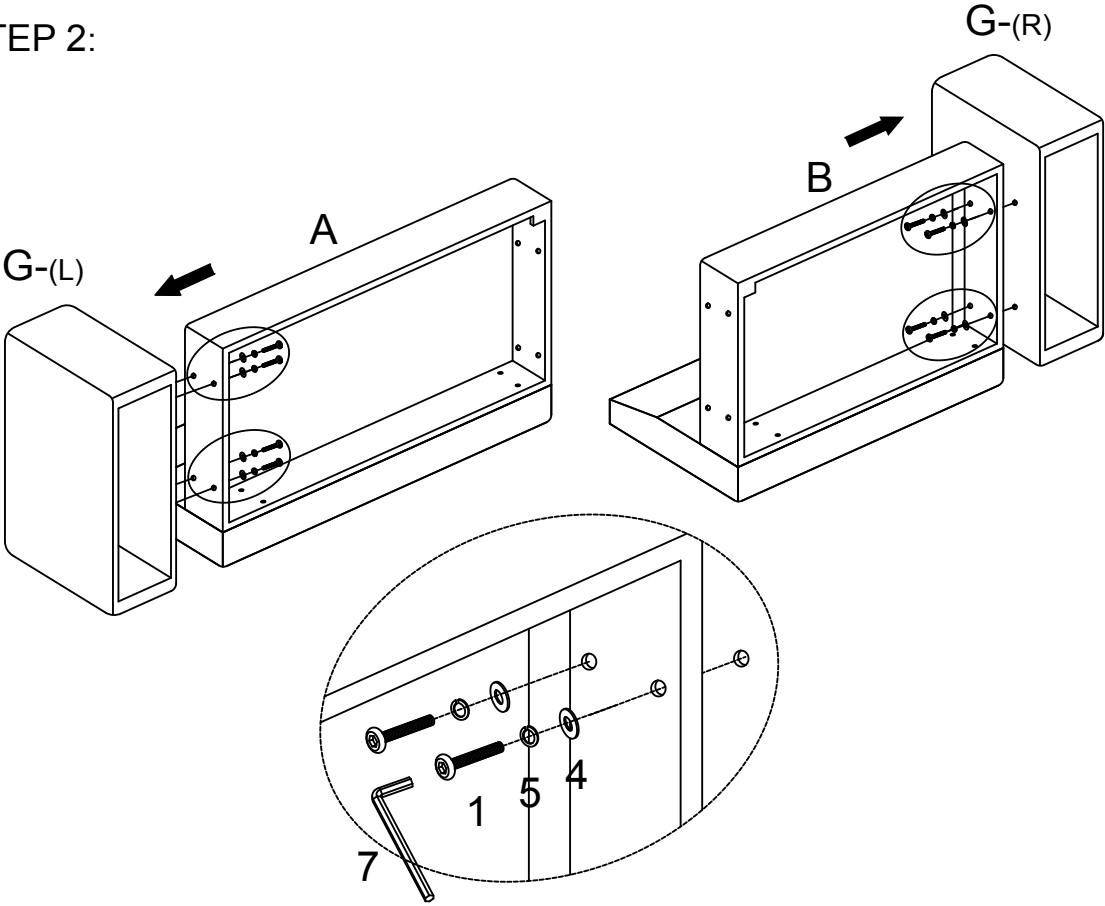
H		x1	I		x1
J		x2	K		x3
L		x10			
①		x16+2	②		x4
③		x8	④		x24+2
⑤		x24+2	⑥		x30
⑦		x1	⑧		x2

ASSEMBLY INSTRUCTIONS

STEP 1:

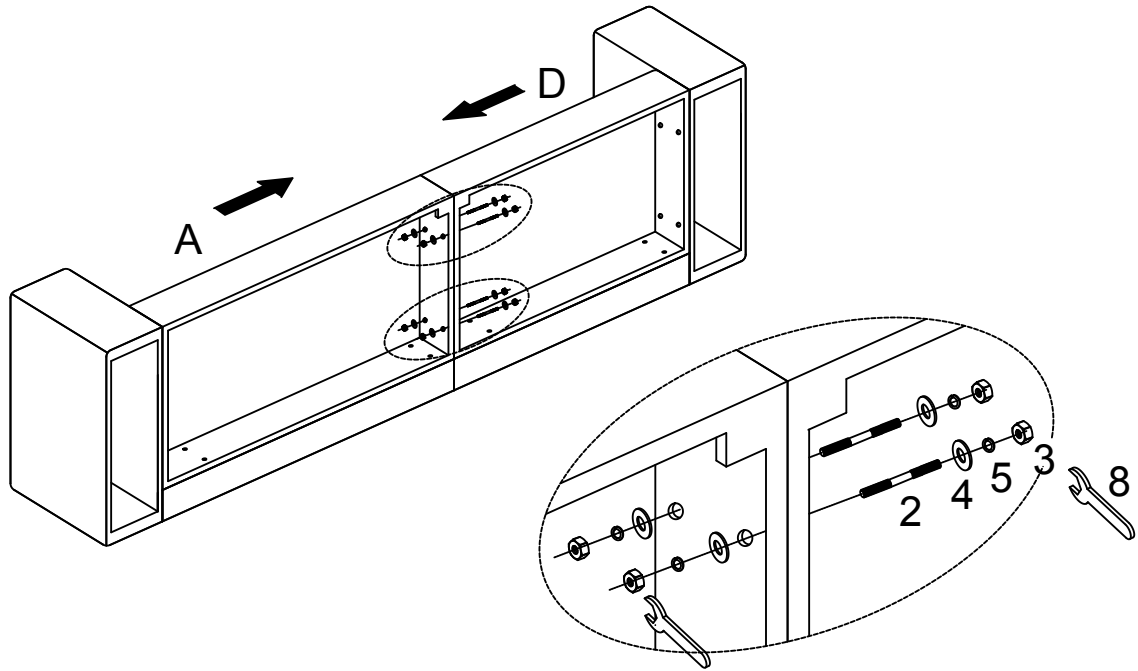


STEP 2:

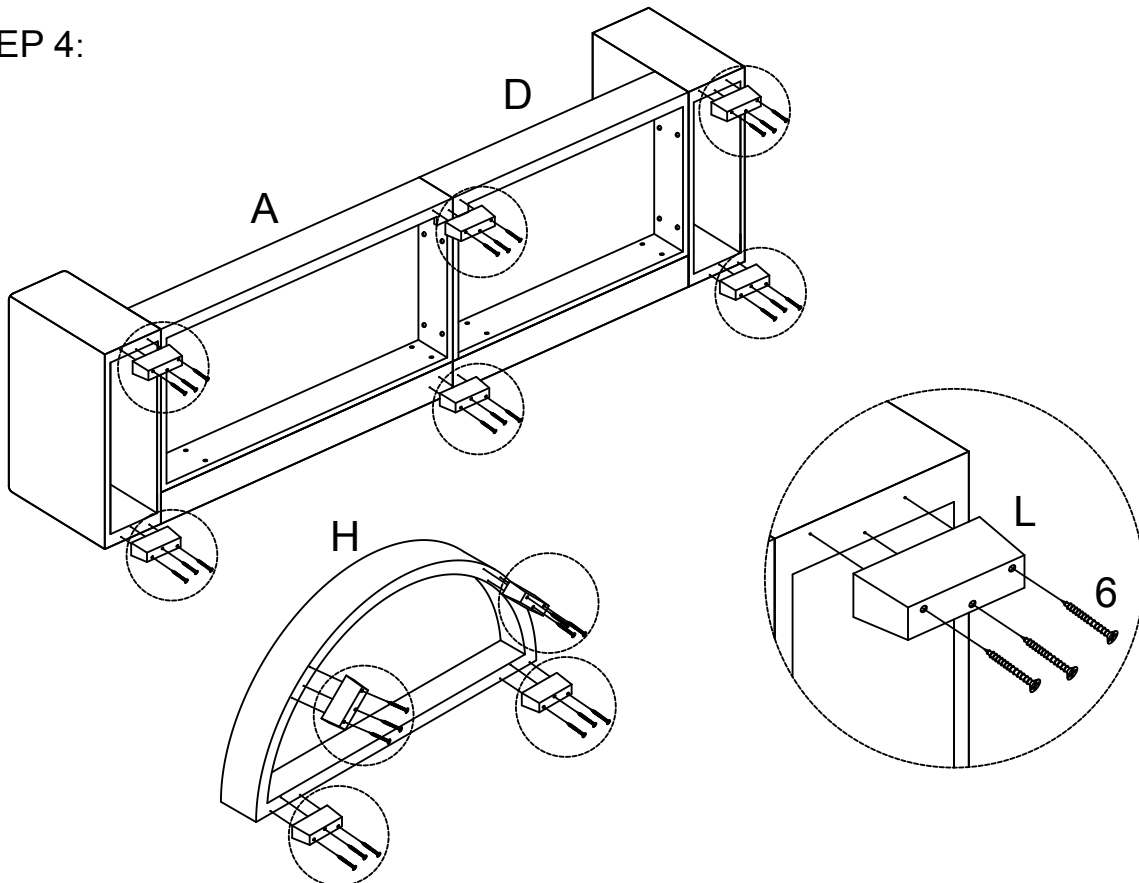


ASSEMBLY INSTRUCTIONS

STEP 3:

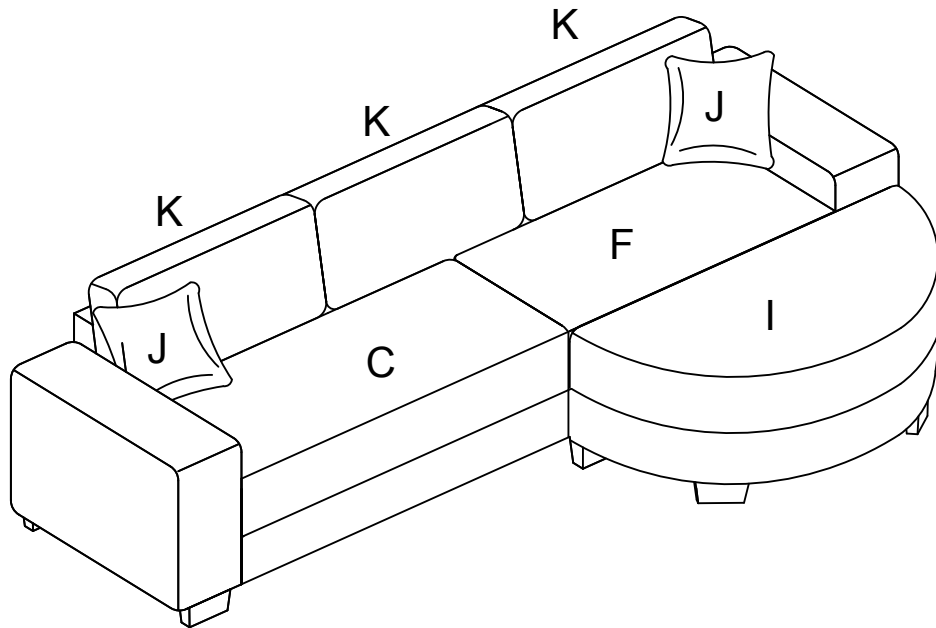


STEP 4:



ASSEMBLY INSTRUCTIONS

STEP 5:



STEP 6:

