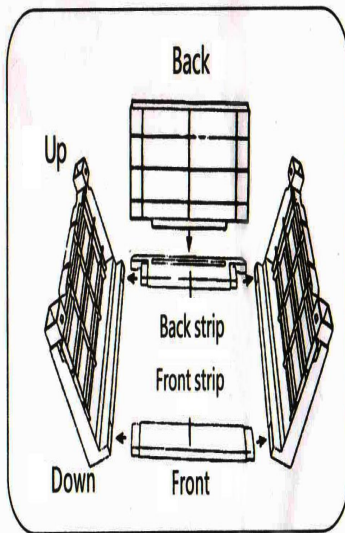


Packing list

Accessoriesname	Two layers (Packing quantity)	Three layers (Packing quantity)	Four layers (Packing quantity)	Five layers (Packing quantity)
Cover	1	1	1	1
Side	4	6	8	10
Backplane	2	3	4	5
Front middle frame bar	2	3	4	5
Post middle frame bar	2	3	4	5
Drawer	2	3	4	5
Panel	2	3	4	5
Pulley	4	4	4	4

Installation details



From the bottom to the roof.

1. Embed the wheel frame into the transom.
2. Before and after a protruding part of the side below the corresponding four embedded inside the hole.
3. The rear lower end key after embedding a keyway.
4. Take the side lower side column and fasten alignment.
5. Repeat step 2, 3, 4 until to the roof.
6. Embed the faceplate to the drawer box.

SCHEMATIC DIAGRAM OF DRAWER TYPE STORAGE CABINET ASSEMBLY

Narrow: Pls assemble according to narrow direction

